

H42552 -UN-10NOV94



JOHN DEERE CTS II COMBINE WITH 900 SERIES PLATFORM

JOHN DEERE CTS II (1998-)

(SPECIFICATIONS AND DESIGN SUBJECT TO CHANGE WITHOUT NOTICE)

NOTE

FOR 900 SERIES PLATFORM PARTS INFORMATION, REFER TO JOHN DEERE 900 SERIES PLATFORM PARTS CATALOG - PC-2104.

FOR 40 SERIES CORN HEAD PARTS INFORMATION, REFER TO JOHN DEERE 40 SERIES CORN HEAD PARTS CATALOG - PC-1223.

FOR 50A SERIES ROW-CROP HEAD PARTS INFORMATION, REFER TO JOHN DEERE 50A SERIES ROW-CROP HEAD PARTS CATALOG - PC-1747.

FOR THREE-ROLLER BELT PICKUP PARTS INFORMATION, REFER TO JOHN DEERE THREE-ROLLER BELT PICKUP PARTS CATALOG - PC-2210.

FOR 918 AND 920 DRAPER PARTS INFORMATION, REFER TO JOHN DEERE 918 AND 920 DRAPER PLATFORMS PARTS CATALOG - PC-2212.

FOR 90 SERIES CORN HEAD PARTS INFORMATION, REFER TO JOHN DEERE 90 SERIES CORN HEAD PARTS CATALOG - PC-2404.

IMPORTANT

THIS PARTS CATALOG CONTAINS PARTS INFORMATION FOR THE CTS COMBINE. VINTAGE IS DETERMINED BY THE COMBINE SERIAL NUMBER OR THE PRODUCT IDENTIFICATION NUMBER (PIN). IT IS IMPORTANT THAT THE CORRECT NUMBERS BE USED WHEN ORDERING PARTS.

PRODUCT INFORMATION NUMBER (PIN) PLATE

THE PRODUCT IDENTIFICATION PLATE (PIN) IS LOCATED NEAR THE RIGHT HAND SIDE OF THE TOOL BOX.
AN EXAMPLE OF THE TWO-LINES ON THIS PIN PLATE IS:

HO0CTSIX675000
COMBINE

(FIRST LINE)

HO - MANUFACTURING UNIT (HARVESTER WORKS)

0CTSII - MODEL IDENTIFIER

X - CONFIGURATION CODE/MODELIDENTIFIER SUFFIX

675000 - SEQUENTIAL NUMBER USED IN SERIAL NO. COLUMN

(SECOND LINE)

COMBINE - TYPE OF PRODUCT

COPYRIGHT (C) 2000. DEERE & COMPANY. MOLINE, ILLINOIS. ALL RIGHTS RESERVED.

PARTS LISTING INFORMATION

SERIAL NUMBER OR PRODUCT IDENTIFICATION NUMBER (PIN) INFORMATION SHOWS ON WHICH MACHINES PART MAY BE USED; FOR EXAMPLE:

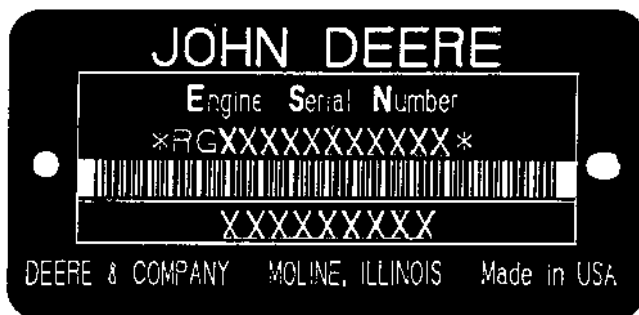
- THE PART CAN BE USED ON ALL MACHINES.
- 000000 THE PART CAN BE USED ON ALL MACHINES UP TO AND INCLUDING THE SERIAL NUMBER LISTED.
- 000000- THE PART CAN BE USED ON ALL MACHINES BEGINNING WITH THE SERIAL NUMBER LISTED.
- 000000-000000 THE PART CAN BE USED ON ALL MACHINES BETWEEN AND INCLUDING SERIAL NUMBERS LISTED.

WHEN XXXXXX'S ARE LISTED IN PLACE OF A SERIAL NUMBER, A SERIAL NUMBER CHANGE WAS MADE, BUT THE EXACT SERIAL NUMBER IS NOT AVAILABLE WHEN THE CATALOG WAS PRINTED.

SHORT BLOCK SERIAL NUMBER PLATE

(-RGSB076882500)

RGP3513 -UN-01JAN94



RGP3513

THE REPLACEMENT SHORT BLOCK ASSEMBLY HAS A SERIAL NUMBER PLATE ATTACHED. THE ORIGINAL ENGINE SERIAL NUMBER MUST BE STAMPED ONTO THE NEW PLATE IN THE BLANK SPACE PROVIDED, AS A REFERENCE FOR YOUR DEALER. THE PLATE CAN BE ATTACHED WITH (2) 37H44 DRIVE SCREWS.

- | | |
|---------------------------------------|----------------------------|
| 1. DESIGNATES ENGINE MANUFACTURER | RG - WATERLOO ENGINE WORKS |
| 2. DESIGNATES REPLACEMENT SHORT BLOCK | SB |
| 3. DESIGNATES LITERS | XXX- 076 (7.6) |
| 4. DESIGNATES THE PRODUCTION DATE | 8825 |
| 5. DESIGNATES COMPONENT SEQUENCE | 00 |

TWO LINE BAR CODED ENGINE SERIAL NUMBER PLATE

RGP4941

-UN-25JUL97



FIRST LINE

RG - WATERLOO ENGINE WORKS

6

081 (8.1 LITERS)

H - AIR-TO-AIR

H

XXXXXX

SECOND LINE

6081HH003

DEFINES

DESIGNATES ENGINE MANUFACTURER.

DESIGNATES NUMBER OF CYLINDERS.

DESIGNATES LITER DISPLACEMENT.

DESIGNATES TYPE OF AIR INTAKE SYSTEM.

DESIGNATES HARVESTER VEHICLE.

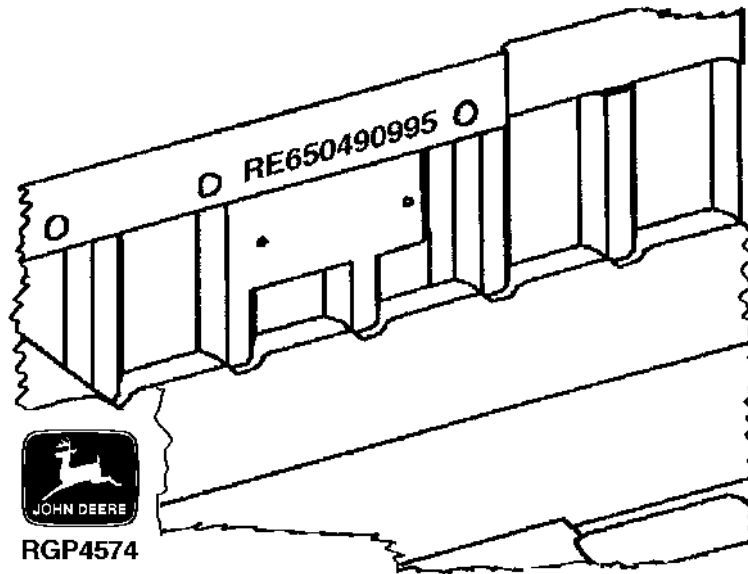
DESIGNATES ENGINE SERIAL NUMBER.

APPLICATION

CTSII

SHORT BLOCK SERIAL NUMBER IDENTIFICATION

RGP4574 -UN-02OCT95



SERIAL NUMBER STAMPED INTO CASTING OF BLOCK NEAR PREVIOUS SERIAL NUMBER PLATE.

EXAMPLE: RE650490995

- | | |
|-----------------------------------|---------|
| 1. DESIGNATES SERVICE PART NUMBER | RE65049 |
| 2. DESIGNATES MONTH ASSEMBLED | 09 |
| 3. DESIGNATES YEAR ASSEMBLED | 95 |

DIRECTION ARROW

ARROWS ARE USED WITH ILLUSTRATIONS TO INDICATE THE FRONT OF THE UNIT. "RIGHT-HAND" AND "LEFT-HAND" SIDES ARE DETERMINED BY FACING IN THE DIRECTION OF MACHINE FORWARD TRAVEL.

BOX-ENCLOSED ILLUSTRATIONS

A KEY NUMBER, SHOWN IN THE PARTS LIST, IS ASSIGNED TO A BOX ENCLOSING ALL PARTS SOLD AS A SERVICE ASSEMBLY. A BOX NOT KEYED INCLUDES NON-CURRENT PARTS.

KITS

KIT INFORMATION WILL BE FOUND IMMEDIATELY FOLLOWING THE STORY IN WHICH IT IS USED. THE ILLUSTRATION IS REPEATED WITH ONLY THE KIT PARTS CALLED OUT AND WITH ALL OTHER PARTS SHOWN IN PHANTOM.

JDM REMANUFACTURED COMPONENTS

THE SERVICE PARTS LISTED IN THIS CATALOG ARE INTENDED FOR THE REPAIR OF ORIGINAL EQUIPMENT COMPONENTS. ALTHOUGH MOST SERVICE PARTS MAY BE USED TO REPAIR REMANUFACTURED COMPONENTS, THE REMANUFACTURED DESIGN MAY CHANGE PARTS SUFFICIENTLY SO THAT SERVICE PARTS ARE INADEQUATE OR NOT USABLE.

BOLT AND CAP SCREW STRENGTH IDENTIFICATION

BOLTS AND CAP SCREWS REQUIRED TO HAVE HIGH-STRENGTH QUALITIES EQUIVALENT TO SAE GRADE 8 ARE IDENTIFIED THROUGHOUT THIS CATALOG BY THE DESCRIPTION HS SAE 8. ALL STANDARD BOLTS AND CAP SCREWS ARE SAE GRADE 5 OR LOWER. BOLTS AND CAP SCREWS REQUIRED TO HAVE HIGH-STRENGTH QUALITIES EQUIVALENT TO PROPERTY CLASS 10.9 ARE IDENTIFIED THROUGHOUT THIS CATALOG BY THE DESCRIPTION HS 10.9. ALL STANDARD BOLTS AND CAP SCREWS ARE PROPERTY CLASS 8.8 OR LOWER.

SI UNITS OF MEASURE

METRIC DIMENSIONS ARE GIVEN, WHERE APPLICABLE, THROUGHOUT THIS PARTS CATALOG.

TRADEMARKS

THROUGHOUT THIS PARTS CATALOG, YOU WILL FIND THE FOLLOWING DEERE & COMPANY TRADEMARKS:

DIAL-A-SPEED™
DIAL-A-MATIC™
HARVESTRAK™
CONTOUR MASTER™

POSI-TORQ™
TORQ-GARD SUPREME®
QUIK-TATCH™

CHANGE INDICATOR LINE

CHANGES AFFECTING THE ORDERING OF PARTS ARE IDENTIFIED BY VERTICAL LINES MARKED IN THE LEFT-HAND MARGIN OF REVISED PARTS LISTING IMAGES. A LINE IS ALSO AT THE LEFT-HAND EDGE OF THE SAME PART NUMBER IN THE NUMERICAL INDEX TO SHOW THE LOCATION OF REVISED INFORMATION.

FUNCTION CODE

(EXAMPLE - FC: 5000)

FUNCTION CODES ARE LOCATED ON EACH PAGE IN THE UPPER RIGHT-HAND CORNER IN THE BOX. THE CODE LISTED IS A GROUPING CODE THAT CAN BE USED FOR WARRANTIES AND FOR DTAC TO IDENTIFY CERTAIN AREAS.

COMPLETE GOODS LISTINGS

COMPLETE GOODS ARE IN BOLD FACE TYPE. ORDER SEPARATELY. DO NOT INCLUDE ON REPLACEMENT PARTS ORDER.

FOR INDIVIDUAL HEADER PARTS CATALOGS REFER TO:

PC-2104 - PARTS CATALOG FOR JOHN DEERE 900 SERIES PLATFORMS

PC-2210 - PARTS CATALOG FOR JOHN DEERE THREE ROLLER BELT PICK-UP

PC-2212 - PARTS CATALOG FOR JOHN DEERE 918 DRAPER PLATFORMS

PC-1747 - PARTS CATALOG FOR JOHN DEERE 50A SERIES ROW-CROP HEADS

PC-1223 - PARTS CATALOG FOR JOHN DEERE 40 SERIES CORN HEADS

PC2404 - PARTS CATALOG FOR JOHN DEERE 90 SERIES CORN HEADS

SECTION INDEX

SECTION 10 - GENERAL INFORMATION

SECTION 20 - ENGINE FAN, INTERCOOLER AND SCREENS

SECTION 24 - ENGINE

SECTION 30 - FUEL AND AIR

SECTION 40 - ELECTRICAL

SECTION 50 - POWER TRAIN

SECTION 60 - STEERING AND BRAKES

SECTION 70 - HYDRAULICS

SECTION 80 - SEPARATOR SHELL

SECTION 90 - OPERATOR'S STATION

SECTION 110 - FEEDER HOUSE

SECTION 120 - THRESHING AND SEPARATION

SECTION 121 - DRIVES

SECTION 125 - RESIDUE DISPOSAL

SECTION 130 - CLEAN GRAIN ELEVATOR, GRAIN TANK AND UNLOADING AUGER

SECTION 160 - DIAL-A-MATIC HEADER HEIGHT CONTROL

SECTION 170 - DECALS, BELTS AND CHAINS

SECTION 180 - NUMERICAL INDEX

ALPHABETICAL INDEX

GRID	PAGE	GRID	PAGE
A			
3G20	A/C COMPRESSOR COVER R134A	1E15	ALTERNATOR BRACKET
3G19	A/C COMPRESSOR HOSE	1I9	ALTERNATOR MOUNTING
3G18	A/C COMPRESSOR MANIFOLD R134A	1E15	ALTERNATOR SUPPORT
3G20	A/C COMPRESSOR PULLEY R134A	1I5	ALTERNATOR, SHEAVE AND BELT - BOSCH.....
3G18	A/C COMPRESSOR R134A	5C13	ANGLES, GRAIN TANK EXTENSIONS
3G22	A/C COMPRESSOR SEAL KIT R134A.....	1G16	ANTENNA, SPEAKERS AND RADIO
3G18	A/C COMPRESSOR SEAL R134A	4G3	ARM, LOCKOUT, DUAL-RANGE
2J13	A/C CONDENSER AND OIL COOLER.....	3C1	ARM, REAR LADDER LANDING LATCH.....
1B21	A/C CONDENSER, RADIATOR.....	2D9	ARM, STEERING
1E15	ACCESS COVER FUEL INJECTION PUMP	3G3	ARMREST (L.H.)
3C7	ACCESS DOOR, REAR HOOD AND STOP	3G1	ARMREST ADJUSTING MECHANISM, (R.H.).....
3B21	ACCESS PLATFORM AND STEP, ENGINE	1G3	ARMREST CONTROL PANEL
3C22	ACCESS SHIELD, SERVICE, L.H.	1G1	ARMREST WIRING HARNESS.....
3C20	ACCESS SHIELD, SERVICE, R.H.....	3F23	ARMREST WITH GLOVE BOX (R.H.)
2I4	ACCUMULATOR AND MOUNTING, ONE GALLON	4D11	ARMS, FRAME, PRECLEANER CHAFFER
2I2	ACCUMULATOR AND MOUNTING, ONE HALF	1C23	ARMS, ROCKER
	GALLON, SINGLE	1E11	ASSEMBLY, CLUTCH (STARTER).....
		2C14	ASSEMBLY, HYDROSTATIC DRIVE PISTON
2G14	ACCUMULATOR PRESSURE GAUGE AND WIRING	2I22	ASSEMBLY, SIX STACK SOLENOID CONTROL
	HARNESS		VALVE
1D5	ADAPTER, OIL COOLER	2F5	ATTENUATOR,UPPER, HYDRAULIC STEERING
1D4	ADAPTER, OIL COOLER BYPASS		HOSES.....
1H1	ADAPTER, WIRING HARNESS (CONTOUR MASTER)	5E3	AUGER BELTS
1H3	ADAPTER, WIRING HARNESS (CONTOUR MASTER)	4J18	AUGER CHAIN TIGHTENER, LOWER TAILINGS.....
1C24	ADHESIVE,ROCKER ARM COVER GASKET	4C19	AUGER CLEANOUT DOOR, SHOE GRAIN SUPPLY,
3F9	ADJUST FORE-AND-AFT, SEAT		HANDLES AND LATCHES
2F21	ADJUSTABLE REAR AXLE.....	4J24	AUGER DRIVE SHIELD, UPPER TAILINGS
2G5	ADJUSTABLE REAR AXLE STEERING TIE RODS	3C15	AUGER DRIVE SHIELDS (R-H SIDE)
3F11	ADJUSTER, CAB SEAT HEIGHT	4J19	AUGER DRIVE TIGHTENER, LOWER TAILINGS
4G11	ADJUSTING BRACKET, CYLINDER DRIVE,	4J24	AUGER DRIVE, UPPER TAILINGS
	DUAL-RANGE	5B17	AUGER HOUSING, LOADING, UPPER CLEAN
			GRAIN
1I7	ADJUSTING MOTOR, CONCAVE.....	5B19	AUGER HOUSING, LOADING, UPPER CLEAN
1I4	ADJUSTING MOTOR, SEPARATOR FAN DRIVE		GRAIN
4J1	ADJUSTING SCREW KIT, REEL DRIVE FLOW	1I1	AUGER LIGHT, UNLOADING, GRAIN TANK.....
	CONTROL VALVE.....	5C15	AUGER LOWER GEAR CASE, VERTICAL
		1H9	AUGER SENSOR AND WIRING HARNESS,
1F1	AIR CLEANER AND INTAKE TUBES.....		UNLOADING
1G9	AIR CONDITIONER AND HEATER SWITCH.....	5C21	AUGER SWIVEL SUPPORT AND BRACES
1E13	AIR CONDITIONER COMPRESSOR FAN PULLEY	5C19	AUGER SWIVEL, HORIZONTAL UNLOADING
1E13	AIR CONDITIONER COMPRESSOR IDLER PULLEY....	5B17	AUGER TRANSITION HOUSING
1E13	AIR CONDITIONER COMPRESSOR SUPPORT	4J12	AUGER TROUGH, LOWER TAILINGS.....
1G7	AIR CONDITIONER WIRING HARNESS	1H9	AUGER WIRING HARNESS, UNLOADING
3E20	AIR CONDITIONING AND HEATER DUCTS	5B7	AUGER, CLEAN GRAIN LOWER AND HINGED DOOR
3G10	AIR CONDITIONING AND HEATER HOUSING	5D13	AUGER, CROSS, COVERS AND CHANNEL.....
	FILTERS.....	5D7	AUGER, HORIZONTAL UNLOADING
3G14	AIR CONDITIONING SYSTEM		(17- AND 20-FT.).....
3G16	AIR CONDITIONING SYSTEM, COMPRESSOR	5C25	AUGER, HORIZONTAL UNLOADING, DRIVE
	R134A		GEARCASE
3G12	AIR CONDITIONING/HEATER AND PRESSURIZER	5C23	AUGER, HORIZONTAL UNLOADING, HUB SUPPORT
	FAN		AND SWITCH
3E19	AIR FILTER AND HOUSING, CAB	5B21	AUGER, LOADING, CLEAN GRAIN
1H19	AIR FILTER WARNING SWITCH,ENGINE PLUGGED ..	5B23	AUGER, LOADING, CLEAN GRAIN FOLD
1B21	AIR INTER COOLER, RADIATOR	5E4	AUGER, LOWER TAILINGS, BELTS
3F13	AIR SEAT SUSPENSION	4J10	AUGER, LOWER TAILINGS, SHAFT AND
3F15	AIR SEAT SUSPENSION KITS.....		TIGHTENER.....
3F17	AIR SEAT SUSPENSION KITS.....	5D14	AUGER, UNLOADING, COUNTERSHAFT DRIVE
3F19	AIR SEAT SUSPENSION KITS.....	5D16	AUGER, UNLOADING, DRIVE BELT GUIDE.....
3F21	AIR SEAT SUSPENSION KITS.....	5D19	AUGER, UNLOADING, LUBE BANK
1G7	AIR SEAT WIRING HARNESS	4J24	AUGER, UPPER TAILINGS.....
3F15	AIR SUSPENSION KITS, SEAT	4J21	AUGER, UPPER TAILINGS, HOUSING AND
3F17	AIR SUSPENSION KITS, SEAT		PADDLE ASSEMBLY
3F19	AIR SUSPENSION KITS, SEAT	5C17	AUGER, VERTICAL UNLOADING AND CHARGE
3F21	AIR SUSPENSION KITS, SEAT		HOUSING.....
3F13	AIR SUSPENSION, SEAT	5D11	AUGERS, GRAIN TANK CROSS
1E15	ALTERNATOR ADJUSTING STRAP.....	4C22	AUGERS, SHOE GRAIN SUPPLY AND HOUSING.....
1I6	ALTERNATOR AND VOLTAGE REGULATOR (95	4C20	AUGERS, SUPPLY, SHOE GRAIN AND HOUSING
	AMP), BOSCH		

ALPHABETICAL INDEX - CONTINUED

GRID		PAGE	GRID		PAGE
1F17	AUX FIELD LIGHT SWITCH, OPTIONAL.....	40 - 4	5E4	BELTS, ROTARY SCREEN.....	170 - 3
1F23	AUXILIARY FIELD LIGHTING	40 - 10	5E5	BELTS, STRAW CHOPPER	170 - 4
2B16	AXLE SPACERS	50 - 10	5E5	BELTS, STRAW SPREADER	170 - 4
2C5	AXLE, FINAL DRIVE	50 - 24	5E5	BELTS, UNLOADING AUGERS	170 - 4
2F22	AXLE, FIXED REAR (GRAIN)	60 - 35	5E6	BELTS, UNLOADING SYSTEM.....	170 - 5
2B15	AXLE, FRONT	50 - 9	5E6	BELTS, UPPER TAILINGS AUGER	170 - 5
2F21	AXLE, REAR, ADJUSTABLE.....	60 - 34	5E3	BELTS, WALKER.....	170 - 2
2G1	AXLE, REAR, SPINDLES	60 - 40	2I16	BI-DIRECTIONAL MODULE, SOLENOID CONTROL VALVE, REEL LIFT AND CYLINDER SPEED.....	70 - 52
2F23	AXLE, REAR, SUPPORT.....	60 - 36	1B17	BLOCK, ENGINE, COOLANT HEATER	20 - 14
B			1C9	BLOCK, SHORT.....	24 - 6
3F5	BACKREST AND SEAT, OPERATOR'S.....	90 - 38	1C21	BOLTS, CYLINDER HEAD	24 - 18
1J15	BACKSHAFT SPEED SENSOR, FEEDER HOUSE.....	40 - 100	1I6	BOSCH ALTERNATOR AND VOLTAGE REGULATOR	40 - 67
5D19	BANK, LUBE, UNLOADING AUGER	130 - 68	1I5	BOSCH ALTERNATOR, SHEAVE AND BELT	40 - 66
1E3	BASE, FUEL FILTER.....	24 - 50	3E13	BOX, TOOL	90 - 22
1D6	BASE, OIL FILTER	24 - 28	5C21	BRACES AND SWIVEL SUPPORT, AUGER	130 - 42
1I13	BATTERIES, CABLE AND HOLDDOWN	40 - 74	1E15	BRACKET, ALTERNATOR	24 - 62
4E7	BEARING AND LUBE LINES, MODULE FRONT.....	120 - 78	2E24	BRACKET, BRAKE CABLE SUPPORT	60 - 13
2C4	BEARING CAP, FINAL DRIVE	50 - 23	1I11	BRACKET, REEL SPEED MOTOR.....	40 - 72
1E17	BEARING KIT, UNDERSIZED MAIN BEARING CRANKSHAFT	24 - 64	4J17	BRACKET, TAILINGS DRIVE AND LOWER TROUGH SUPPORT	125 - 41
5D9	BEARING PLATE, CROSS AUGER, L.H.....	130 - 56	4C1	BRACKETS, CONCAVE INDICATOR AND CABLE	120 - 20
2D4	BEARING, COVER AND QUILL	50 - 51	1H13	BRACKETS, LOW SHAFT SPEED SENSORS	40 - 50
1C16	BEARING, THRUST.....	24 - 13	2J20	BRACKETS, SOLENOID CONTROL VALVE	70 - 81
4J16	BEARINGS, CHAIN AND SPROCKETS, TAILINGS ELEVATOR CONVEYOR	125 - 40	2E24	BRAKE CABLE SUPPORT BRACKET	60 - 13
2C5	BEARINGS, FINAL DRIVE	50 - 24	2E15	BRAKE CYLINDERS, MASTER AND BRAKE PEDALS	60 - 4
2C7	BEARINGS, FINAL DRIVE	50 - 26	2E17	BRAKE LINES, MASTER CYLINDER AND RESERVOIR	60 - 6
1C16	BEARINGS, MAIN	24 - 13	2E19	BRAKE MASTER CYLINDER	60 - 8
2C24	BEARINGS, SEALS, SHAFT AND OUTER COVER CAM LOBE MOTOR	50 - 46	2E13	BRAKE PEDAL AND SEAL, PARKING	60 - 2
2B22	BEARINGS, TRANSMISSION INPUT SHAFT	50 - 16	2E15	BRAKE PEDALS AND CYLINDERS, MASTER	60 - 4
2B24	BEARINGS, TRANSMISSION PINION SHAFT.....	50 - 18	2E21	BRAKE SHOES AND DRUM.....	60 - 10
5E6	BEATER BELTS SHEAVES	170 - 5	2E23	BRAKE SLAVE CYLINDER.....	60 - 12
4C17	BEATER COVER	120 - 36	1I15	BREAKERS, CIRCUIT, ENGINE COMPARTMENT	40 - 76
4C11	BEATER DRIVE BELT IDLER.....	120 - 30	1C6	BUSHING, CAMSHAFT	24 - 2
4C13	BEATER DRIVE CONVERSION, DUAL SPEED 700/400 RPM.....	120 - 32	1C20	BUSHING, CAMSHAFT	24 - 17
4C15	BEATER GEARCASE AND SHEAVE	120 - 34	1D4	BYPASS TUBES, OIL COOLER	24 - 26
4B16	BEATER GRATE AND 13-BAR CONCAVE ASSEMBLY	120 - 10	1D6	BYPASS VALVE, OIL FILTER.....	24 - 28
4C9	BEATER SHAFT AND DRIVE BELT.....	120 - 28	C		
4C7	BEATER, STRIPPER.....	120 - 26	3E19	CAB AIR FILTER AND HOUSING	90 - 28
4C5	BEATER, STRIPPER, DRIVE IDLER	120 - 24	1F14	CAB DOME LIGHT	40 - 1
1B10	BELT ,ENGINE FAN	20 - 6	3E3	CAB DOOR AND GLASS	90 - 12
5D16	BELT GUIDE, UNLOADING AUGER DRIVE	130 - 64	3E1	CAB DOOR LATCH.....	90 - 10
4H3	BELT PICKUP/REEL CHARGE PUMP MOUNTING AND SHEAVE	121 - 62	3E5	CAB FRAME AND SUPPORT.....	90 - 14
1E15	BELT TENSIONER (ALT.).....	24 - 62	3H1	CAB HARDWARE KIT	90 - 84
3J1	BELT, FAN, DUST, LH FEEDER HOUSE	110 - 48	3D23	CAB INTERIOR TRIM PANELS	90 - 8
3F7	BELT, OPERATOR'S SEAT	90 - 40	3E15	CAB L.H. LANDING AND MIRROR	90 - 24
3F8	BELT, SEAT - TRAINING SEAT	90 - 41	3E17	CAB LANDING AND MIRROR (R.H.).....	90 - 26
5E4	BELTS, AIR CONDITIONER COMPRESSOR	170 - 3	3D17	CAB PANELS AND FLOOR MAT	90 - 2
5E3	BELTS, AUGER	170 - 2	1F19	CAB POST INSTRUMENT PANEL	40 - 6
5E6	BELTS, BEATER	170 - 5	3E21	CAB POST INSTRUMENT PANEL	90 - 30
5E4	BELTS, CLEAN GRAIN ELEVATOR.....	170 - 3	3D21	CAB REAR AND SIDE SEALS	90 - 6
5E3	BELTS, CONVEYOR FEEDER	170 - 2	3E7	CAB ROOF AND SUPPORTS.....	90 - 16
5E4	BELTS, COOLING FAN.....	170 - 3	1F21	CAB ROOF LIGHTS	40 - 8
5E4	BELTS, CYLINDER DRIVE	170 - 3	3F11	CAB SEAT HEIGHT ADJUSTER	90 - 44
5E4	BELTS, DRIVE, CYLINDER INTERMEDIATE	170 - 3	3D19	CAB SOUND DEADENING, FOAM AND SEALS.....	90 - 4
5E5	BELTS, FAN, CLEANING	170 - 4	1F15	CAB WIRING HARNESS.....	40 - 2
5E3	BELTS, FEEDER CONVEYOR	170 - 2	2B8	CABLE AND SWITCH, HYDROSTATIC DRIVE LEVE R.....	50 - 2
5E5	BELTS, FEEDER HOUSE	170 - 4	4C1	CABLE, CONCAVE INDICATOR, AND BRACKETS	120 - 20
5E5	BELTS, HEADER AND REEL	170 - 4	2B10	CABLE, HYDROSTATIC DRIVE CONTROL.....	50 - 4
5E6	BELTS, LOWER TAILINGS AUGER.....	170 - 5	1I13	CABLES, BATTERY.....	40 - 74
5E4	BELTS, LOWER TAINLINGS AUGER	170 - 3	2C23	CAM LOBE MOTOR	50 - 44
			2D5	CAM, CARRIER AND PISTONS.....	50 - 52

ALPHABETICAL INDEX - CONTINUED

GRID		PAGE	GRID		PAGE
2B19	CAM, SHIFTER, TRANSMISSION AND DIFFERENTIAL	50 - 13	5B23	CLEAN GRAIN LOADING AUGER, FOLD	130 - 18
1C20	CAMSHAFT	24 - 17	5B7	CLEAN GRAIN LOWER AUGER AND HINGED DOOR	130 - 2
1C6	CAMSHAFT BUSHING	24 - 2	5B9	CLEAN GRAIN LOWER ELEVATOR AND CONVEYOR CHAIN	130 - 4
1C20	CAMSHAFT BUSHING	24 - 17	5B11	CLEAN GRAIN LOWER ELEVATOR AND CONVEYOR CHAIN	130 - 6
1C20	CAMSHAFT FOLLOWER.....	24 - 17	5C15	CLEAN OUT CHUTE, GRAIN TANK	130 - 36
1C23	CAMSHAFT FOLLOWER.....	24 - 20	1F1	CLEANER, AIR AND INTAKE TUBES	30 - 8
1C20	CAMSHAFT GEAR.....	24 - 17	4D3	CLEANING FAN INTAKE SHIELDS	120 - 48
2C4	CAP, BEARING, FINAL DRIVE.....	50 - 23	4C24	CLEANING FANS AND SHROUDS	120 - 44
5C15	CAP, GRAIN TANK CLEAN OUT CHUTE	130 - 36	4D1	CLEANING FANS AND SHROUDS	120 - 46
1C6	CAPS, MAIN BEARING	24 - 2	4G17	CLEANING SHOE AND CONVEYOR AUGER PIVOT ARM DRIVE TIGHTENER.....	121 - 52
2D7	CAPS, YOKE AND PIVOTS	50 - 54	1J13	CLEANING SHOE LAMP INSTALLATION	40 - 98
2D5	CARRIER, PISTONS AND CAM	50 - 52	3I1	CLOSURE PLATES, FEEDER HOUSE - CONTOUR MASTER	110 - 22
2E4	CASE DRAIN HYDRAULIC LINES, FOUR WHEEL DRIVE	50 - 75	1E11	CLUTCH ASSEMBLY(STARTER)	24 - 58
1F19	CDC (COMBINE DATA CENTER)	40 - 6	4F17	CLUTCH, HEADER ELECTROMAGNETIC.....	121 - 28
3E21	CDC (COMBINE DATA CENTER)	90 - 30	3I16	CLUTCH, SLIP, FEEDER HOUSE	110 - 38
1I21	CENTRAL ELECTRONICS MODULE AND CIRCUIT BOARDS	40 - 82	1F3	COLD WEATHER STARTING AID	30 - 10
4J6	CHAFF SPREADER (DUAL MOTOR) HOSES AND LINES.....	125 - 30	2F9	COLUMN, STEERING (LOWER).....	60 - 22
4I17	CHAFF SPREADER (DUAL MOTOR) PAN, WINGS AND SEALS.....	125 - 16	2F7	COLUMN, STEERING (UPPER)	60 - 20
4I15	CHAFF SPREADER (DUAL MOTOR) SHIELDS AND HANDLES	125 - 14	3G6	COLUMN, STEERING (UPPER)	90 - 64
4I21	CHAFF SPREADER CONTROL, CHECK VALVE, ROD AND KNOB.....	125 - 20	1F19	COMBINE DATA CENTER	40 - 6
4I13	CHAFF SPREADER DISC (DUAL MOTOR).....	125 - 12	3E21	COMBINE DATA CENTER	90 - 30
4J2	CHAFF SPREADER LINES AND FITTINGS	125 - 26	3B15	COMPARTMENT, ENGINE	80 - 10
4J4	CHAFF SPREADER LINES, HOSES, VALVE AND PUMP.....	125 - 28	3B17	COMPARTMENT, ENGINE	80 - 12
2G20	CHAFF SPREADER MOTOR (EATON)	70 - 8	3B19	COMPARTMENT, ENGINE	80 - 14
4I19	CHAFF SPREADER MOUNTING SUPPORT.....	125 - 18	3G21	COMPRESSOR HARDWARE KIT R134A	90 - 80
4J8	CHAFF SPREADER PUMP.....	125 - 32	3G19	COMPRESSOR, A/C, HOSE.....	90 - 77
4G15	CHAFFER DRIVE, CONVEYOR AUGERS AND SIEVE	121 - 50	5E4	COMPRESSOR, AIR CONDITIONING BELTS.....	170 - 3
4D13	CHAFFER ELEMENT.....	120 - 58	3G16	COMPRESSOR, AIR CONDITIONING SYSTEM R134A	90 - 74
4D15	CHAFFER EXTENSION ELEMENT	120 - 60	1I7	CONCAVE ADJUSTING MOTOR	40 - 68
4D17	CHAFFER FRAME	120 - 62	4B16	CONCAVE ASSEMBLY AND BEATER GRATE,13-BAR NARROW.....	120 - 10
4D11	CHAFFER FRAME ARMS, PRECLEANER	120 - 56	4C1	CONCAVE INDICATOR, CABLE AND BRACKETS.....	120 - 20
4D7	CHAFFER FRAME, PRECLEANER	120 - 52	4C3	CONCAVE INDICATOR, CORN AND SMALL GRAIN....	120 - 22
4D5	CHAFFER, PRECLEANING.....	120 - 50	4B14	CONCAVE, RASP BAR AND GRATE	120 - 8
4J18	CHAIN TIGHTENER, LOWER TAILINGS AUGER.....	125 - 42	4B22	CONCAVE, SPIKE TOOTH.....	120 - 16
3I10	CHAIN, IDLER SHAFT AND DRUM, FEEDER CONVEYOR.....	110 - 32	4B20	CONCAVE, SPIKE-TOOTH	120 - 14
4J16	CHAIN, SPROCKETS AND BEARINGS, TAILINGS ELEVATOR CONVEYOR	125 - 40	2J13	CONDENSER, A/C.....	70 - 74
5D13	CHANNEL AND COVERS, CROSS AUGER	130 - 60	1C13	CONNECTING RODS	24 - 10
5C17	CHARGE HOUSING, VERTICAL UNLOADING AUGER.....	130 - 38	1J7	CONNECTORS AND TERMINALS, SUPPLEMENTARY	40 - 92
2J23	CHARGE PRESSURE HOSE	70 - 84	1E5	CONNECTORS, ELECTRICAL, WEATHERPACK	24 - 52
4H3	CHARGE PUMP MOUNTING AND SHEAVE, REEL/ BELT PICKUP	121 - 62	1D24	CONNECTORS, FUEL INJECTION PUMP HOUSING ..	24 - 46
2C15	CHARGE PUMP, HYDROSTATIC DRIVE	50 - 35	1J9	CONNECTORS, LOWER HARNESS, 6076 ENGINE	40 - 94
4I21	CHECK VALVE, ROD, KNOB AND CONTROL, CHAFF SPREADER	125 - 20	1J11	CONNECTORS, UPPER HARNESS, 6076 ENGINE	40 - 96
5C15	CHUTE, GRAIN TANK CLEAN OUT	130 - 36	1I23	CONNECTORS, WEATHERPACK	40 - 84
1F19	CIRCUIT BOARD, COMBINE DATA CENTER.....	40 - 6	1F17	CONSOLE PANEL, OVERHEAD.....	40 - 4
3E21	CIRCUIT BOARD, COMBINE DATA CENTER.....	90 - 30	3I1	CONTOUR MASTER - FEEDER HOUSE FRAME, TILT BEAM & CLOSURE PLATES.....	110 - 22
1I21	CIRCUIT BOARDS, CENTRAL ELECTRONICS MODULE.....	40 - 82	3J7	CONTOUR MASTER DRIVESHAFT	110 - 54
1I15	CIRCUIT BREAKER RELAYS.....	40 - 76	2H19	CONTOUR MASTER HYDRAULIC HOSES, L.H SIDE (OPTIONAL).....	70 - 32
1I15	CIRCUIT BREAKERS, ENGINE COMPARTMENT.....	40 - 76	3I5	CONTOUR MASTER LOCKOUT ADAPTER KIT (BELT PU & 4R CORN HEADS)	110 - 26
5C1	CLEAN GRAIN ELEVATOR DRIVE TIGHTENER AND IDLER.....	130 - 22	2I18	CONTOUR MASTER SOLENOID CONTROL RELIEF VALVE	70 - 54
5B24	CLEAN GRAIN ELEVATOR GEARCASE AND SHEAVE.....	130 - 20	2J9	CONTOUR MASTER TILT CYLINDER.....	70 - 70
5B21	CLEAN GRAIN LOADING AUGER	130 - 16	2J10	CONTOUR MASTER TILT CYLINDER HOSES AND FITTINGS.....	70 - 71
			1H1	CONTOUR MASTER WIRING HARNESS	40 - 38
			1H3	CONTOUR MASTER WIRING HARNESS ADAPTER	40 - 40
			3H23	CONTOUR MASTER, FEEDER HOUSE SHELL, WEAR PLATES AND SEALS	110 - 20

ALPHABETICAL INDEX - CONTINUED

GRID		PAGE	GRID		PAGE
313	CONTOUR MASTER, LOCKOUT ASSEMBLY (OPTIONAL).....	110 - 24	1C19	COVER, TIMING GEAR.....	24 - 16
2B10	CONTROL CABLE, HYDROSTATIC DRIVE.....	50 - 4	5D13	COVERS AND CHANNEL, CROSS AUGER	130 - 60
1G3	CONTROL PANEL, ARMREST	40 - 14	4E5	COVERS AND FRAME, MODULE	120 - 76
1D22	CONTROL UNIT, ELECTRONIC.....	24 - 44	4E3	CRANK OUT SYSTEM, MODULE	120 - 74
2D11	CONTROL VALVE	50 - 58	1B19	CRANKCASE OIL DRAIN, ENGINE	20 - 16
4J1	CONTROL VALVE ADJUSTING SCREW KIT, REEL DRIVE FLOW	125 - 25	1C14	CRANKSHAFT	24 - 11
2122	CONTROL VALVE MODULE, SIX STACK SOLENOID ASSEMBLY & MOUNTINGS.....	70 - 58	1E9	CRANKSHAFT DAMPERS	24 - 56
2D12	CONTROL VALVE SOLENOID	50 - 59	1C19	CRANKSHAFT FRONT OIL SEAL	24 - 16
4I23	CONTROL VALVE, FLOW, REEL DRIVE	125 - 22	1C15	CRANKSHAFT KIT, UNDERSIZE (CONNECTING ROD JOURNAL).....	24 - 12
2C17	CONTROL VALVE, HYDROSTATIC DRIVE, DISPLACEMENT	50 - 38	1E9	CRANKSHAFT PULLEY AND DAMPERS	24 - 56
4I25	CONTROL VALVE, REEL DRIVE FLOW, SEAL REPAIR KIT	125 - 24	5D9	CROSS AUGER BEARING PLATE, L.H.	130 - 56
2J20	CONTROL VALVE, SOLENOID, BRACKETS.....	70 - 81	5D13	CROSS AUGER COVERS AND CHANNEL.....	130 - 60
2J19	CONTROL VALVE, SOLENOID, ENGINE GEARCASE PRESSURE REGULATOR	70 - 80	5D11	CROSS AUGERS, GRAIN TANK	130 - 58
2119	CONTROL VALVE, SOLENOID, FOR AUGER SWING..	70 - 55	3G5	CUP HOLDER	90 - 62
4I21	CONTROL, CHECK VALVE, ROD AND KNOB, CHAFF SPREADER	125 - 20	4I9	CURTAIN, LOWER, STRAW SPREADER	125 - 8
1J19	CONVENIENCE OUTLET	40 - 104	4I7	CURTAIN, SPREADER, UPPER.....	125 - 6
1J17	CONVENIENCE OUTLET, KIT	40 - 102	5C9	CURTAINS, GRAIN TANK.....	130 - 30
2G23	CONVERSION PARTS, HUDRAULIC, 200 SERIES CUTTING PLATFORM.....	70 - 11	2G23	CUTTING PLATFORM , 200 SERIES CONVERSION PARTS	70 - 11
4G17	CONVEYOR AUGER AND CLEANING SHOE PIVOT ARM DRIVE TIGHTENER.....	121 - 52	1C6	CYLINDER BLOCK FITTINGS	24 - 2
5E3	CONVEYOR AUGER BELTS,	170 - 2	4B7	CYLINDER COVER, THRESHING	120 - 1
4G15	CONVEYOR AUGERS, SIEVE AND CHAFFER DRIVE	121 - 50	4B10	CYLINDER DOOR	120 - 4
5B9	CONVEYOR CHAIN AND ELEVATOR, CLEAN GRAIN LOWER	130 - 4	4G11	CYLINDER DRIVE ADJUSTING BRACKET, DUAL-RANGE	121 - 46
5B11	CONVEYOR CHAIN AND ELEVATOR, CLEAN GRAIN LOWER	130 - 6	4G1	CYLINDER DRIVE GEARCASE, DUAL-RANGE	121 - 36
3110	CONVEYOR IDLER SHAFT, DRUM AND CHAIN, FEEDER.....	110 - 32	4G7	CYLINDER DRIVE INTERMEDIATE SHAFT MOUNTING, DUAL-RANGE	121 - 42
1B17	COOLANT HEATER, ENGINE BLOCK.....	20 - 14	4G9	CYLINDER DRIVE INTERMEDIATE SHEAVE, DUAL-RANGE	121 - 44
1F9	COOLANT RECOVERY TANK	30 - 16	4G5	CYLINDER DRIVE TIGHTENER, DUAL-RANGE	121 - 40
1D5	COOLER, ENGINE OIL	24 - 27	4F23	CYLINDER DRIVE, SINGLE RANGE	121 - 34
2J13	COOLER, OIL,	70 - 74	4F21	CYLINDER DRIVE, SLOW SPEED.....	121 - 32
2H1	COOLER, OIL, FEEDER HOUSE	70 - 14	1C21	CYLINDER HEAD	24 - 18
2H3	COOLER, OIL, FEEDER HOUSE GEARCASE	70 - 16	1C21	CYLINDER HEAD BOLTS	24 - 18
5E4	COOLING FAN BELTS	170 - 3	1C21	CYLINDER HEAD GASKET	24 - 18
4C3	CORN AND SMALL GRAIN CONCAVE INDICATOR	120 - 22	1E7	CYLINDER HEAD GASKET KIT	24 - 54
3D3	CORNER SHEET AND DOOR, FRONT, L.H.	80 - 48	2F20	CYLINDER KIT, STEERING	60 - 33
3C24	CORNER SHEET, R.H., FRONT.....	80 - 44	1C13	CYLINDER LINERS	24 - 10
3D1	CORNER SHEET, REAR, L H	80 - 46	2I16	CYLINDER SPEED AND REEL LIFT, SOLENOID CONTROL VALVE.....	70 - 52
4G13	COUNTERSHAFT DRIVE, SECONDARY.....	121 - 48	2I12	CYLINDER SPEED HYDRAULIC LINES AND HOSES ..	70 - 48
5D14	COUNTERSHAFT DRIVE, UNLOADING AUGER	130 - 62	2E23	CYLINDER, BRAKE SLAVE	60 - 12
4F13	COUNTERSHAFT GEARCASE, PRIMARY	121 - 24	2E19	CYLINDER, BRAKE, MASTER	60 - 8
4F15	COUNTERSHAFT, PRIMARY, GEARCASE	121 - 26	2J5	CYLINDER, DRIVE, GRAIN TANK UNLOADING.....	70 - 66
1B16	COUPLING WITH HUB, ENGINE GEARCASE	20 - 12	2H21	CYLINDER, HEADER LIFT, HYDRAULIC	70 - 34
4E16	COUPLING, GEARBOX AND SHAFT, MODULE.....	121 - 2	2J3	CYLINDER, HYDRAULIC, UNLOADING AUGER SWING, LINES AND HOSES	70 - 64
4C17	COVER, BEATER	120 - 36	2F19	CYLINDER, STEERING.....	60 - 32
3G20	COVER, COMPRESSOR A/C R134A.....	90 - 79	4B12	CYLINDER, THRESHING, RASP BAR	120 - 6
3B15	COVER, ENGINE.....	80 - 10	4B18	CYLINDER, THRESHING, SPIKE TOOTH.....	120 - 12
2C9	COVER, FRONT, HYDROSTATIC DRIVE PUMP	50 - 28	2J9	CYLINDER, TILT - CONTOUR MASTER	70 - 70
1E15	COVER, FUEL INJECTION PUMP ACCESS	24 - 62	2J10	CYLINDER, TILT, HOSES AND FITTINGS - CONTOUR MASTER.....	70 - 71
2B19	COVER, HOUSING, TRANSMISSION AND DIFFERENTIAL	50 - 13	2J7	CYLINDER, UNLOADING AUGER SWING HYDRAULIC.....	70 - 68
2C11	COVER, HYDROSTATIC DRIVE PUMP.....	50 - 30	2E15	CYLINDERS, MASTER BRAKE AND BRAKE PEDALS	60 - 4
2D1	COVER, INNER	50 - 48	D		
1D5	COVER, OIL COOLER	24 - 27	1C14	DAMPER KEY	24 - 11
2D4	COVER, QUILL AND BEARING	50 - 51	1E9	DAMPERS, CRANKSHAFT	24 - 56
1C24	COVER, ROCKER ARM	24 - 21	1F19	DATA CENTER, COMBINE	40 - 6
1D12	COVER, THERMOSTAT	24 - 34	3E21	DATA CENTER, COMBINE	90 - 30
4B7	COVER, THRESHING CYLINDER	120 - 1	5G5	DECALS, FRONT.....	170 - 52
			5G7	DECALS, FRONT.....	170 - 54

ALPHABETICAL INDEX - CONTINUED

GRID		PAGE	GRID		PAGE
5G10	DECALS, FRONT.....	170 - 58	4C11	DRIVE BELT, BEATER, IDLER.....	120 - 30
5G9	DECALS, FRONT WHEEL.....	170 - 56	4J17	DRIVE BRACKET, TAILINGS AND LOWER TROUGH SUPPORT.....	125 - 41
5G5	DECALS, REAR.....	170 - 52	4J23	DRIVE CHAIN TIGHTENER, UPPER TAILINGS	125 - 48
5G7	DECALS, REAR.....	170 - 54	2B10	DRIVE CONTROL CABLE, HYDROSTATIC.....	50 - 4
5G10	DECALS, REAR.....	170 - 58	2C17	DRIVE DISPLACEMENT CONTROL VALVE HYDROSTATIC	50 - 38
5G9	DECALS, REAR WHEEL.....	170 - 56	1C14	DRIVE GEAR, OIL PUMP	24 - 11
5E7	DECALS, SAFETY AND LOCATIONS	170 - 6	4E20	DRIVE GEARCASE, MODULE, L.H.....	121 - 6
5E9	DECALS, SAFETY AND LOCATIONS	170 - 8	4E18	DRIVE GEARCASE, MODULE, R.H.....	121 - 4
5E11	DECALS, SAFETY AND LOCATIONS	170 - 10	4C5	DRIVE IDLER, STRIPPER BEATER.....	120 - 24
5E13	DECALS, SAFETY AND LOCATIONS	170 - 12	2B8	DRIVE LEVER, CABLE AND SWITCH HYDROSTATI C.....	50 - 2
5E15	DECALS, SAFETY AND LOCATIONS	170 - 14	2C21	DRIVE MOTOR KIT, HYDROSTATIC.....	50 - 42
5E17	DECALS, SAFETY AND LOCATIONS	170 - 16	2C19	DRIVE MOTOR, HYDROSTATIC	50 - 40
5E19	DECALS, SAFETY AND LOCATIONS - FRENCH.....	170 - 18	2E5	DRIVE MOTOR, HYDROSTATIC	50 - 76
5E21	DECALS, SAFETY AND LOCATIONS - FRENCH.....	170 - 20	2C14	DRIVE PISTON ASSEMBLY, HYDROSTATIC.....	50 - 34
5E23	DECALS, SAFETY AND LOCATIONS - FRENCH.....	170 - 22	2C9	DRIVE PUMP, HYDROSTATIC.....	50 - 28
5F1	DECALS, SAFETY AND LOCATIONS - FRENCH.....	170 - 24	2C12	DRIVE PUMP, HYDROSTATIC.....	50 - 32
5F3	DECALS, SAFETY AND LOCATIONS - FRENCH.....	170 - 26	2J1	DRIVE PUMP, REEL/BELT PICKUP.....	70 - 62
5F5	DECALS, SAFETY AND LOCATIONS - ITALIAN	170 - 28	2C6	DRIVE SHAFT SHIELDS, FINAL	50 - 25
5F9	DECALS, SAFETY AND LOCATIONS - ITALIAN	170 - 32	4F11	DRIVE SHAFT, GEARCASE MOUNTING AND PRIMARY COUNTERSHAFT	121 - 22
5F11	DECALS, SAFETY AND LOCATIONS - ITALIAN	170 - 34	3C19	DRIVE SHIELD, R.H. REAR	80 - 38
5F13	DECALS, SAFETY AND LOCATIONS - ITALIAN	170 - 36	3C15	DRIVE SHIELDS, AUGER (R-H SIDE).....	80 - 34
5F15	DECALS, SAFETY AND LOCATIONS - ITALIAN	170 - 38	3H19	DRIVE SHIELDS, CONTOUR MASTER FEEDER HOUSE.....	110 - 16
5F17	DECALS, SAFETY AND LOCATIONS - ITALIAN	170 - 40	3H17	DRIVE SHIELDS, SAFETY STOP, FEEDER HOUSE	110 - 14
5F19	DECALS, SAFETY AND LOCATIONS - ITALIAN	170 - 42	3C11	DRIVE SIDE SHIELDS, SEPARATOR	80 - 30
5F21	DECALS, SAFETY AND LOCATIONS - ITALIAN	170 - 44	5C1	DRIVE TIGHTENER AND IDLER, CLEAN GRAIN ELEVATOR	130 - 22
5F23	DECALS, SAFETY AND LOCATIONS - ITALIAN	170 - 46	4H1	DRIVE TIGHTENER, FEEDER HOUSE	121 - 60
5G1	DECALS, SAFETY AND LOCATIONS - ITALIAN	170 - 48	3H15	DRIVE TIGHTENER, FIXED SPEED FEEDER HOUSE.....	110 - 12
5G3	DECALS, SAFETY AND LOCATIONS - ITALIAN	170 - 50	4J19	DRIVE TIGHTENER, LOWER TAILINGS AUGER	125 - 44
5G13	DECALS, SEPARATOR MODULE SAFETY.....	170 - 61	4G17	DRIVE TIGHTENER, PIVOT ARM, CLEANING SHOE AND CONVEYOR AUGER	121 - 52
5G12	DECALS, TOP	170 - 60	3H13	DRIVE TIGHTENER, VARIABLE SPEED.....	110 - 10
4H7	DECK, SUPPORTS AND FINS, STRAW CHOPPER.....	121 - 66	2B12	DRIVE WHEELS	50 - 6
1H14	DEFLECTOR - LESS HARVESTRAK.....	40 - 51	2B13	DRIVE WHEELS, HIGH FLOATATION PLANETARY FINAL DRIVE	50 - 7
3B19	DEFLECTOR, ENGINE COMPARTMENT	80 - 14	5D14	DRIVE, COUNTERSHAFT, UNLOADING AUGER.....	130 - 62
5D24	DIAL-A-MATIC ELECTRICAL HARNESS	160 - 4	5E4	DRIVE, CYLINDER INTERMEDIATE, BELTS	170 - 3
5D22	DIAL-A-MATIC HEADER HEIGHT CONTROL HYDRAULIC LINE AND VALVE BLOCK	160 - 2	5E4	DRIVE, CYLINDER, BELTS.....	170 - 3
5D23	DIAL-A-MATIC HEADER HEIGHT CONTROL VALVE BLOCK SOLENOID	160 - 3	1B12	DRIVE, ENGINE.....	20 - 8
2H22	DIAL-A-MATIC HEADER HEIGHT CONTROL, VALVE BLOCK SOLENOID	70 - 35	4G19	DRIVE, FAN, SEPARATOR.....	121 - 54
2B17	DIFFERENTIAL AND TRANSMISSION HOUSING	50 - 11	4G23	DRIVE, FAN, SPEED CONTROL SHEAVE LINKAGE....	121 - 58
2C1	DIFFERENTIAL GEARS	50 - 20	2C3	DRIVE, FINAL	50 - 22
2C1	DIFFERENTIAL SHAFTS.....	50 - 20	2D17	DRIVE, HYDROSTATIC, LOWER OIL LINES (FOUR WHEEL DRIVE)	50 - 64
1D15	DIPSTICK, ENGINE OIL	24 - 37	2D15	DRIVE, HYDROSTATIC, LOWER OIL LINES (TWO WHEEL DRIVE)	50 - 62
4I13	DISC, CHAFF SPREADER (DUAL MOTOR)	125 - 12	2G18	DRIVE, REEL, FLOW CONTROL VALVE	70 - 6
2C17	DISPLACEMENT CONTROL VALVE, HYDROSTATIC DRIVE	50 - 38	1B6	DRIVE, ROTARY SCREEN	20 - 2
1F14	DOME LIGHT, CAB	40 - 1	4G13	DRIVE, SECONDARY COUNTERSHAFT.....	121 - 48
3E3	DOOR AND GLASS, CAB.....	90 - 12	1B10	DRIVES, ENGINE FAN	20 - 6
3D3	DOOR AND SHEET, L.H. FRONT CORNER.....	80 - 48	4E22	DRIVES, ENGINE GEARBOX TO MODULE	121 - 8
3E1	DOOR LATCH, CAB	90 - 10	4E24	DRIVES, ENGINE GEARBOX TO MODULE	121 - 10
4B10	DOOR, CYLINDER.....	120 - 4	4H5	DRIVES, STRAW CHOPPER	121 - 64
3B11	DOOR, ENGINE ACCESS, HANDRAILS, RADIATOR.....	80 - 6	4I5	DRIVES, STRAW SPREADER	125 - 4
5B7	DOOR, HINGED, CLEAN GRAIN LOWER AUGER.....	130 - 2	3J7	DRIVESHAFT, CONTOUR MASTER	110 - 54
4H23	DOOR, LOWER, STRAW CHOPPER.....	121 - 82	2E21	DRUM, BRAKE.....	60 - 10
3C9	DOOR, REAR HOOD.....	80 - 28	3I10	DRUM, CHAIN AND IDLER SHAFT, FEEDER CONVEYOR.....	110 - 32
3C7	DOOR, REAR HOOD ACCESS AND STOP	80 - 26	1I1	DUAL LEVEL MONITOR HARNESS, GRAIN TANK	40 - 62
1B8	DOOR, ROTARY SCREEN	20 - 4	4C13	DUAL SPEED BEATER DRIVE CONVERSION, 700/400 RPM.....	120 - 32
4B8	DOOR, SEAL AND STONE TRAP, SEPARATOR/ FEEDER HOUSE.....	120 - 2			
4I11	DOOR, STRAW SPREADER.....	125 - 10			
4H21	DOOR, UPPER REAR, STRAW CHOPPER	121 - 80			
1D12	DRAIN VALVE, CYLINDER HEAD	24 - 34			
1D8	DRAIN VALVE, OIL PAN.....	24 - 30			
1B19	DRAIN, ENGINE CRANKCASE OIL	20 - 16			
4C9	DRIVE BELT AND BEATER SHAFT.....	120 - 28			

ALPHABETICAL INDEX - CONTINUED

GRID		PAGE	GRID		PAGE
2B14	DUAL WHEELS, WIDE-SPACED (PLANETARY FINAL DRIVE)	50 - 8	4F5	ENGINE GEARCASE- SEPARATOR DRIVE WET- CLUTCH AND PUMP DRIVE SHAFT	121 - 16
4G11	DUAL-RANGE CYLINDER DRIVE ADJUSTING BRACKET.....	121 - 46	4F7	ENGINE GEARCASE, SEPARATOR AND PUMP DRIVE	121 - 18
4G1	DUAL-RANGE CYLINDER DRIVE GEARCASE	121 - 36	4F9	ENGINE GEARCASE, SEPARATOR AND PUMP DRIVE	121 - 20
4G7	DUAL-RANGE CYLINDER DRIVE INTERMEDIATE SHAFT MOUNTING.....	121 - 42	4F3	ENGINE GEARCASE, STRAW CHOPPER, UNLOAD- ING DRIVE AND SEPARATOR DRIVE GEAR	121 - 14
4G9	DUAL-RANGE CYLINDER DRIVE INTERMEDIATE SHEAVE.....	121 - 44	4F1	ENGINE GEARCASE, UNLOADING AND SEPARATOR DRIVE GEAR.....	121 - 12
4G5	DUAL-RANGE CYLINDER DRIVE TIGHTENER	121 - 40	1B14	ENGINE INTERCOOLER.....	20 - 10
4G3	DUAL-RANGE LOCKOUT ARM	121 - 38	1B13	ENGINE MOUNTS AND REAR SUPPORT	20 - 9
3E20	DUCTS, HEATER AND AIR CONDITIONING	90 - 29	1C5	ENGINE OIL (TORQ-GARD PLUS-50).....	24 - 1
3J1	DUST FAN BELT, LH FEEDER HOUSE	110 - 48	1D5	ENGINE OIL COOLER	24 - 27
3I24	DUST FAN, LH SIDE FEEDER HOUSE.....	110 - 46	1D15	ENGINE OIL DIPSTICK.....	24 - 37
2H1	DUST SUPPRESSION, LUBE OIL PUMP	70 - 14	1D15	ENGINE OIL DIPSTICK TUBE	24 - 37
	E		1D6	ENGINE OIL FILTER	24 - 28
1D22	E.C.U.	24 - 44	1D2	ENGINE OIL PUMP	24 - 24
1I17	ECU MOUNTING SUPPORT (SN -XXXXXX)	40 - 78	1D1	ENGINE OIL PUMP INTAKE.....	24 - 23
1E21	ELECTRIC FUEL PUMP, WATER SEPARATOR AND FUEL FLOAT	30 - 4	1C11	ENGINE OVERHAUL KIT	24 - 8
1J1	ELECTRICAL CONNECTOR SERVICE KIT.....	40 - 86	1H19	ENGINE PLUGGED AIR FILTER WARNING SWITCH ..	40 - 56
1J3	ELECTRICAL CONNECTOR SERVICE KIT.....	40 - 88	3B15	ENGINE RAILS	80 - 10
5D24	ELECTRICAL HARNESS, DIAL-A-MATIC.....	160 - 4	1E7	ENGINE REBUILD GASKET KIT	24 - 54
1J8	ELECTRICAL SERVICE OUTLET	40 - 93	1C8	ENGINE SERVICE PARTS, KEY	24 - 4
1E5	ELECTRICAL TERMINALS AND CONNECTORS, WEATHERPACK	24 - 52	1E14	ENGINE SPEED SENSOR	24 - 61
4F17	ELECTROMAGNETIC HEADER CLUTCH	121 - 28	1F19	ENGINE TEMPERATURE GAUGE	40 - 6
1D22	ELECTRONIC CONTROL UNIT	24 - 44	3E21	ENGINE TEMPERATURE GAUGE	90 - 30
1I19	ELECTRONIC CONTROL UNIT MOUNTING SUPPORT	40 - 80	1F3	ETHER STARTING AID.....	30 - 10
1D22	ELECTRONIC FUEL INJECTION PUMP	24 - 44	1D19	ETHER STARTING FITTINGS	24 - 41
1I21	ELECTRONICS MODULE AND CIRCUIT BOARD, CENTRAL.....	40 - 82	1D18	EXHAUST MANIFOLD GASKETS.....	24 - 40
4D13	ELEMENT, CHAFFER	120 - 58	1D18	EXHAUST MANIFOLD HEAT SHIELD	24 - 40
4D15	ELEMENT, CHAFFER EXTENSION	120 - 60	1D18	EXHAUST MANIFOLDS.....	24 - 40
4D19	ELEMENT, SIEVE	120 - 64	1F5	EXHAUST PIPES AND MUFFLER	30 - 12
5B9	ELEVATOR AND CONVEYOR CHAIN, CLEAN GRAIN LOWER	130 - 4	1C21	EXHAUST VALVE SHIELD	24 - 18
5B11	ELEVATOR AND CONVEYOR CHAIN, CLEAN GRAIN LOWER	130 - 6	1C21	EXHAUST VALVES	24 - 18
5B15	ELEVATOR SHAFT, SPROCKET AND SHEAVE, UPPER CLEAN GRAIN.....	130 - 10	4D15	EXTENSION ELEMENT, CHAFFER	120 - 60
5C3	ELEVATOR SHIELDS, UPPER CLEAN GRAIN.....	130 - 24	5C11	EXTENSIONS, GRAIN TANK	130 - 32
5E4	ELEVATOR, CLEAN GRAIN BELTS.....	170 - 3		F	
4J14	ELEVATOR, TAILINGS, HOUSING.....	125 - 38	1I4	FAN DRIVE ADJUSTING MOTOR, SEPARATOR	40 - 65
5B13	ELEVATOR, UPPER CLEAN GRAIN	130 - 8	3C17	FAN DRIVE AND MUD SHIELDS (L.H. SIDE).....	80 - 36
3B11	ENGINE ACCESS DOOR, HANDRAILS, AND RADIATOR DOOR.....	80 - 6	4G21	FAN DRIVE SPEED CONTROL LINKAGE.....	121 - 56
3B21	ENGINE ACCESS PLATFORM AND STEP	80 - 16	4G23	FAN DRIVE SPEED CONTROL SHEAVE LINKAGE.....	121 - 58
1B17	ENGINE BLOCK COOLANT HEATER	20 - 14	1E2	FAN DRIVE, FIXED	24 - 49
1I15	ENGINE CIRCUIT BREAKERS.....	40 - 76	4G19	FAN DRIVE, SEPARATOR	121 - 54
3B15	ENGINE COMPARTMENT.....	80 - 10	1E2	FAN PULLEY HUB.....	24 - 49
3B17	ENGINE COMPARTMENT.....	80 - 12	1E13	FAN PULLEY, AIR CONDITIONER COMPRESSOR	24 - 60
3B19	ENGINE COMPARTMENT.....	80 - 14	5E5	FAN, CLEANING, BELTS	170 - 4
1B19	ENGINE CRANKCASE OIL DRAIN.....	20 - 16	3I24	FAN, DUST, LH SIDE FEEDER HOUSE	110 - 46
1B12	ENGINE DRIVE	20 - 8	1B10	FAN, ENGINE AND DRIVES.....	20 - 6
1B10	ENGINE FAN AND DRIVES	20 - 6	3G12	FAN, PRESSURIZER AND AIR CONDITIONING/ HEATER.....	90 - 70
4E22	ENGINE GEARBOX TO MODULE DRIVES.....	121 - 8	4C24	FANS AND SHROUDS, CLEANING	120 - 44
4E24	ENGINE GEARBOX TO MODULE DRIVES.....	121 - 10	4D1	FANS AND SHROUDS, CLEANING	120 - 46
1B16	ENGINE GEARCASE COUPLING WITH HUB.....	20 - 12	3I4	FEED PLATE LATCH HANDLE	110 - 36
2J15	ENGINE GEARCASE OIL FILTER ASSEMBLY	70 - 76	5E3	FEEDER CONVEYOR BELTS.....	170 - 2
2J17	ENGINE GEARCASE PRESSURE REGULATOR	70 - 78	3I12	FEEDER CONVEYOR DRIVE CHAIN, TIGHTENER AND GUIDES.....	110 - 34
2J19	ENGINE GEARCASE PRESSURE REGULATOR, SOLENOID CONTROL VALVE.....	70 - 80	3I10	FEEDER CONVEYOR IDLER SHAFT, DRUM AND CHAIN	110 - 32
			1J15	FEEDER HOUSE BACKSHAFT SPEED SENSOR	40 - 100
			5E5	FEEDER HOUSE BELTS	170 - 4
			3H19	FEEDER HOUSE DRIVE SHIELDS - CONTOUR MASTER	110 - 16

ALPHABETICAL INDEX - CONTINUED

GRID		PAGE	GRID		PAGE
3H17	FEEDER HOUSE DRIVE SHIELDS AND SAFETY STOP	110-14	2G3	FIXED REAR AXLE, 4-WHEEL DRIVE, STEERING TIE RODS - GRAIN.....	60-42
4H1	FEEDER HOUSE DRIVE TIGHTENER.....	121-60	3H15	FIXED SPEED FEEDER HOUSE DRIVE TIGHTENER ..	110-12
3H15	FEEDER HOUSE DRIVE TIGHTENER (FIXED SPEED)	110-12	2J21	FLAT O-RING KIT, HYDRAULIC.....	70-82
3J1	FEEDER HOUSE DUST FAN BELT, LH	110-48	1E21	FLOAT, FUEL.....	30-4
3I24	FEEDER HOUSE DUST FAN, LH SIDE.....	110-46	3D17	FLOOR MAT AND PANELS, CAB	90-2
3I8	FEEDER HOUSE FLOOR	110-30	3I8	FLOOR, FEEDER HOUSE	110-30
3H21	FEEDER HOUSE FRAME	110-18	2E1	FLOW CONTROL VALVE TO CAM LOBE MOTORS, LINES AND HOSES	50-72
3I1	FEEDER HOUSE FRAME, TILT BEAM & CLOSURE PLATES, CONTOUR MASTER.....	110-22	2G18	FLOW CONTROL VALVE, REEL DRIVE	70-6
3J5	FEEDER HOUSE FRONT DRIVE SHAFT, SHEAVE AND MOUNTINGS (FIXED SPEED WITH.....	110-52	4I23	FLOW CONTROL VALVE, REEL DRIVE	125-22
2H3	FEEDER HOUSE GEARCASE OIL COOLER	70-16	1C18	FLYWHEEL.....	24-15
2H5	FEEDER HOUSE OIL COOLER GEARBOX FITTINGS AND HOSES	70-18	1C18	FLYWHEEL HUB	24-15
2G24	FEEDER HOUSE OIL COOLER LUBE OIL PUMP	70-12	3D19	FOAM, SEALS, SOUND DEADENING, CAB	90-4
2H1	FEEDER HOUSE OIL COOLER, LUBE OIL PUMP.....	70-14	1C20	FOLLOWER, CAMSHAFT	24-17
3I20	FEEDER HOUSE RETURN FLOOR.....	110-42	1C23	FOLLOWER, CAMSHAFT	24-20
3F1	FEEDER HOUSE REVERSER FOOT CONTROL	90-34	3H9	FOOT CONTROL, FEEDER HOUSE REVERSER.....	110-6
3H9	FEEDER HOUSE REVERSER FOOT CONTROL	110-6	3F1	FOOT CONTROL, REVERSER, FEEDER HOUSE	90-34
3H23	FEEDER HOUSE SHELL - CONTOUR MASTER	110-20	3F9	FORE-AND-AFT, SEAT ADJUST	90-42
3I16	FEEDER HOUSE SLIP CLUTCH	110-38	2B17	FORKS, SHIFTER	50-11
3I6	FEEDER HOUSE UPPER SHAFT	110-28	2E4	FOUR WHEEL DRIVE CASE DRAIN HYDRAULIC LINES	50-75
2G22	FEEDER HOUSE VARIABLE DRIVE HYDRAULIC HOSE	70-10	2D23	FOUR WHEEL DRIVE HYDRAULIC LINES AND HOS ES, L.H.	50-70
3H23	FEEDER HOUSE WEAR PLATES - CONTOUR MASTER	110-20	2E1	FOUR WHEEL DRIVE LINES AND HOSES	50-72
3I18	FEEDER HOUSE, UPPER COUNTERSHAFT VARIABLE DRIVE	110-40	4E5	FRAME AND COVERS, MODULE	120-76
1F17	FIELD LIGHT SWITCH, AUX, OPTIONAL	40-4	3E5	FRAME AND SUPPORT, CAB	90-14
1F23	FIELD LIGHTING, AUXILIARY	40-10	4D11	FRAME ARMS, PRECLEANER CHAFFER	120-56
1J23	FIELD LIGHTS	40-108	4D17	FRAME, CHAFFER	120-62
4E9	FILLER PLATE, MODULE GRATE ASSEMBLY AND FINGER BAR	120-80	3H21	FRAME, FEEDER HOUSE	110-18
2H23	FILTER ASSEMBLY, MAIN, HYDRAULIC	70-36	3I1	FRAME, FEEDER HOUSE, CONTOUR MASTER	110-22
1F1	FILTER, AIR AND INTAKE TUBES	30-8	3B9	FRAME, SEPARATOR.....	80-4
1D6	FILTER, ENGINE OIL	24-28	4D21	FRAME, SIEVE	120-66
1E3	FILTER, FUEL	24-50	4I9	FRAME, STRAW SPREADER.....	125-8
2J15	FILTER, OIL, ENGINE GEARCASE, ASSEMBLY	70-76	1F22	FRONT AND REAR TURN AND TAIL LIGHTS	40-9
1C19	FILTER, WATER PUMP (WEEP HOLE).....	24-16	2B15	FRONT AXLE.....	50-9
3G10	FILTERS, AIR CONDITIONING AND HEATER HOUSING.....	90-68	3D3	FRONT CORNER SHEET AND DOOR, L.H.....	80-48
2C3	FINAL DRIVE	50-22	3C24	FRONT CORNER SHEET, R.H.	80-44
2C5	FINAL DRIVE AXLE, GEAR AND BEARINGS	50-24	1C19	FRONT OIL SEAL	24-16
2C4	FINAL DRIVE HOUSING AND BEARING CAP	50-23	3H11	FRONT SHAFT WITH REVERSER (VARIABLE) 9400, 9500 COMBINES	110-8
2C7	FINAL DRIVE PINION, SHAFTS AND BEARINGS	50-26	3D7	FRONT SHIELD ASSEMBLY, LEFT SIDE	80-52
2C6	FINAL DRIVE SHAFT SHIELDS	50-25	3D9	FRONT SHIELD ASSEMBLY, RIGHT SIDE.....	80-54
4H13	FINE CUT ROTOR STRAW CHOPPER (PADDLED NARROW (670401-)	121-72	2F3	FRONT STEERING HOSES AND LINES.....	60-16
4H11	FINE CUT ROTOR STRAW CHOPPER (STRAIGHT NARROW (670401-)	121-70	3H5	FRONT VARIABLE DRIVE SHEAVE AND MOUNTINGS	110-2
4E9	FINGER BAR, FILLER PLATE AND MODULE GRATE ASSEMBLY	120-80	1D12	FRONT WATER MANIFOLD.....	24-34
4H7	FINS, SUPPORTS AND DECK, STRAW CHOPPER.....	121-66	5G9	FRONT WHEEL DECALS	170-56
2H5	FITTINGS AND HOSES, OIL COOLER, GEARBOX, FEEDER HOUSE.....	70-18	1E3	FUEL CHECK VALVE	24-50
4J2	FITTINGS AND LINES, CHAFF SPREADER	125-26	1E3	FUEL FILTER.....	24-50
1C6	FITTINGS, CYLINDER BLOCK	24-2	1E3	FUEL FILTER BASE	24-50
1D19	FITTINGS, ETHER STARTING	24-41	1E3	FUEL FILTER LINES	24-50
1E19	FITTINGS, FUEL TANK.....	30-2	1E21	FUEL FLOAT	30-4
1E23	FITTINGS, TANK FUEL LINES.....	30-6	1F19	FUEL GAUGE	40-6
2J10	FITTINGS, TILT CYLINDER - CONTOUR MASTER	70-71	3E21	FUEL GAUGE	90-30
1E2	FIXED FAN DRIVE	24-49	1E1	FUEL INJECTION NOZZLE.....	24-48
2F22	FIXED REAR AXLE (GRAIN)	60-35	1D20	FUEL INJECTION NOZZLES	24-42
2G7	FIXED REAR AXLE STEERING TIE RODS GRAIN	60-46	1D22	FUEL INJECTION PUMP.....	24-44
			1E15	FUEL INJECTION PUMP ACCESS COVER	24-62
			1D24	FUEL INJECTION PUMP HOUSING CONNECTORS	24-46
			1D22	FUEL LEAK-OFF LINES	24-44
			1D20	FUEL LINES.....	24-42
			1D22	FUEL SHUT-OFF SOLENOID (FIP)	24-44
			1E19	FUEL TANK, SUPPORTS, AND FITTINGS	30-2
			1D25	FUEL TRANSFER PUMP (ROBERT BOSCH).....	24-47

ALPHABETICAL INDEX - CONTINUED

GRID		PAGE	GRID		PAGE
G					
1C24	GASKET ADHESIVE, ROCKER ARM COVER	24 - 21	5D17	GRAIN TANK SAMPLING TROUGH.....	130 - 66
1E7	GASKET KIT, CYLINDER HEAD	24 - 54	5C5	GRAIN TANK TOP.....	130 - 26
1E7	GASKET KIT, ENGINE REBUILD	24 - 54	2J5	GRAIN TANK UNLOADING DRIVE CYLINDER.....	70 - 66
1E7	GASKET KIT, SHORT BLOCK	24 - 54	2J5	GRAIN TANK UNLOADING DRIVE CYLINDER MOUNTING	70 - 66
1C21	GASKET, CYLINDER HEAD	24 - 18	1H23	GRAIN TANK WIRING HARNESS, LIGHT, LIMIT SWITCH AND LEVEL MONITOR	40 - 60
1D14	GASKET, INTAKE MANIFOLD	24 - 36	4B14	GRATE AND RASP BAR CONCAVE	120 - 8
1D6	GASKET, OIL FILTER HOUSING	24 - 28	5D16	GUIDE, DRIVE BELT, UNLOADING AUGER.....	130 - 64
1D8	GASKET, OIL PAN	24 - 30	3I12	GUIDES, TIGHTENER AND FEEDER CONVEYOR DRIVE CHAIN	110 - 34
1D2	GASKET, OIL PUMP	24 - 24	H		
1D1	GASKET, OIL PUMP INTAKE.....	24 - 23	4C19	HANDLE, LATCHES, SHOE GRAIN SUPPLY AUGER CLEANOUT DOOR	120 - 38
1C17	GASKET, REAR OIL SEAL.....	24 - 14	4I15	HANDLES AND SHIELDS, CHAFF SPREADER (DUAL MOTOR).....	125 - 14
1C24	GASKET, ROCKER ARM COVER	24 - 21	3E9	HANDRAIL AND LADDER, OPERATOR'S PLATFORM	90 - 18
1D12	GASKET, THERMOSTAT	24 - 34	3B11	HANDRAILS, RADIATOR DOOR, ENGINE ACCESS DOOR	80 - 6
1C19	GASKET, TIMING GEAR COVER.....	24 - 16	3H1	HARDWARE KIT, CAB	90 - 84
1D16	GASKET, TURBOCHARGER	24 - 38	3G21	HARDWARE KIT, COMPRESSOR R134A	90 - 80
1D12	GASKET, WATER MANIFOLD	24 - 34	2E7	HARDWARE, HYDRAULIC PUMP CONNECTING	50 - 78
1D10	GASKET, WATER PUMP	24 - 32	1J9	HARNESS CONNECTORS, LOWER, 6076 ENGINE	40 - 94
1D18	GASKETS, EXHAUST MANIFOLD	24 - 40	1J11	HARNESS CONNECTORS, UPPER, 6076 ENGINE	40 - 96
2G14	GAUGE, ACCUMULATOR PRESSURE	70 - 2	1H1	HARNESS WIRING, MAIN, L.H. CENTER	40 - 38
1F19	GAUGE, ENGINE TEMPERATURE	40 - 6	1G1	HARNESS, ARMREST WIRING	40 - 12
3E21	GAUGE, ENGINE TEMPERATURE	90 - 30	1F15	HARNESS, CAB WIRING	40 - 2
3H7	GEAR BOX, REVERSER.....	110 - 4	1I1	HARNESS, GRAIN TANK DUAL LEVEL MONITOR	40 - 62
5C15	GEAR CASE, VERTICAL AUGER LOWER	130 - 36	1H17	HARNESS, LOWER, ENGINE, 6076	40 - 54
1C20	GEAR, CAMSHAFT	24 - 17	1E11	HARNESS, STARTER, WIRING	24 - 58
2C5	GEAR, FINAL DRIVE.....	50 - 24	1H15	HARNESS, UPPER, ENGINE, 6076	40 - 52
1D22	GEAR, INJECTION PUMP.....	24 - 44	1G7	HARNESS, WIRING, A/C, HEATER AND AIRSEAT	40 - 18
1C14	GEAR, OIL PUMP DRIVE	24 - 11	1H3	HARNESS, WIRING, MAIN, L.H. CENTER	40 - 40
1D2	GEAR, OIL PUMP DRIVE	24 - 24	1H7	HARNESS, WIRING, R.H. MAIN.....	40 - 44
1C18	GEAR, STARTER.....	24 - 15	1G5	HARNESS, WIRING, STEERING COLUMN.....	40 - 16
2H5	GEARBOX FITTINGS AND HOSES, OIL COOLER, FEEDER HOUSE.....	70 - 18	1F19	HARVESTRAK	40 - 6
4E22	GEARBOX, ENGINE TO MODULE DRIVES	121 - 8	3E21	HARVESTRAK	90 - 30
4E24	GEARBOX, ENGINE TO MODULE DRIVES	121 - 10	1H11	HARVESTRAK MONITOR SYSTEM.....	40 - 48
4E16	GEARBOX, SHAFT AND COUPLING, MODULE.....	121 - 2	1H11	HARVESTRAK WIRING HARNESS	40 - 48
4C15	GEARCASE AND SHEAVE, BEATER	120 - 34	1C21	HEAD BOLT KIT	24 - 18
5B24	GEARCASE AND SHEAVE, CLEAN GRAIN ELEVATOR	130 - 20	1C21	HEAD, CYLINDER	24 - 18
1B16	GEARCASE COUPLING, ENGINE	20 - 12	5E5	HEADER BELTS	170 - 4
4F11	GEARCASE MOUNTING, PRIMARY COUNTERSHAFT AND DRIVE SHAFT	121 - 22	4F17	HEADER ELECTROMAGNETIC CLUTCH	121 - 28
4G1	GEARCASE, DUAL-RANGE CYLINDER DRIVE	121 - 36	2H22	HEADER HEIGHT CONTROL VALVE	70 - 35
4F5	GEARCASE, ENGINE	121 - 16	5D23	HEADER HEIGHT CONTROL VALVE	160 - 3
4F9	GEARCASE, ENGINE	121 - 20	5D22	HEADER HEIGHT CONTROL, DIAL-A-MATIC HYDRAULIC LINE AND VALVE BLOCK	160 - 2
5C25	GEARCASE, HORIZONTAL UNLOADING AUGER DRIVE	130 - 46	5D24	HEADER HEIGHT CONTROL, ELECTRIC HARNESS, DIAL-A-MATIC	160 - 4
2E7	GEARCASE, HYDROSTATIC DRIVE PUMP,MAIN HYDRAULIC PUMP CONNECTING HARDWARE.....	50 - 78	2H21	HEADER LIFT CYLINDER, HYDRAULIC	70 - 34
4E20	GEARCASE, MODULE DRIVE, L.H.....	121 - 6	2H17	HEADER LIFT HYDRAULIC LINES AND HOSES	70 - 30
4E18	GEARCASE, MODULE DRIVE, R.H.	121 - 4	2I14	HEADER LIFT MODULE, SOLENOID CONTROL VALVE	70 - 50
4F13	GEARCASE, PRIMARY COUNTERSHAFT	121 - 24	1A9	HEADERS.....	10 - 8
4F15	GEARCASE, PRIMARY COUNTERSHAFT	121 - 26	1D18	HEAT SHIELD, EXHAUST MANIFOLD.....	24 - 40
2C1	GEARS, DIFFERENTIAL	50 - 20	1G9	HEATER AND AIR CONDITIONER SWITCH.....	40 - 20
2B22	GEARS, TRANSMISSION INPUT SHAFT	50 - 16	3E20	HEATER AND AIR CONDITIONING DUCTS	90 - 29
2B24	GEARS, TRANSMISSIONPINION SHAFT	50 - 18	3G10	HEATER HOUSING AND AIR CONDITIONING FILTERS.....	90 - 68
2B20	GEARSHIFT LEVER AND LINKAGE	50 - 14	3G23	HEATER SYSTEM.....	90 - 82
3E23	GEARSHIFT LEVER AND LINKAGE	90 - 32	1G7	HEATER WIRING HARNESS	40 - 18
3E3	GLASS AND DOOR, CAB.....	90 - 12	1B17	HEATER, COOLANT, ENGINE BLOCK	20 - 14
3F23	GLOVE BOX, ARMREST (R.H.)	90 - 56	3F11	HEIGHT ADJUSTER, CAB SEAT	90 - 44
4D9	GRAIN LEAK KIT.....	120 - 54			
5C9	GRAIN TANK AND CURTAINS.....	130 - 30			
5C7	GRAIN TANK BASE.....	130 - 28			
5D11	GRAIN TANK CROSS AUGERS.....	130 - 58			
1I1	GRAIN TANK DUAL LEVEL MONITOR HARNESS.....	40 - 62			
5C11	GRAIN TANK EXTENSIONS.....	130 - 32			
5C13	GRAIN TANK EXTENSIONS SUPPORT AND ANGLES	130 - 34			

ALPHABETICAL INDEX - CONTINUED

GRID		PAGE	GRID		PAGE
2B13	HIGH FLOATATION DRIVE WHEELS PLANETARY FINAL DRIVE	50 - 7	4H17	HOUSING AND KNIFEBANK, STRAW CHOPPER	121 - 76
1113	HOLDDOWN, BATTERY	40 - 74	4H19	HOUSING AND KNIFEBANK, STRAW CHOPPER	121 - 78
3G5	HOLDER, CUP	90 - 62	4J21	HOUSING AND PADDLE ASSEMBLY, UPPER TAILINGS AUGER	125 - 46
3C3	HOOD, REAR	80 - 22	4C20	HOUSING AND SHOE GRAIN SUPPLY AUGERS	120 - 40
3C7	HOOD, REAR, ACCESS DOOR AND STOP	80 - 26	4C22	HOUSING AND SHOE GRAIN SUPPLY AUGERS	120 - 42
5D7	HORIZONTAL UNLOADING AUGER (17- AND 20-FT.)	130 - 54	1D24	HOUSING CONNECTORS, FUEL INJECTION PUMP ..	24 - 46
5C25	HORIZONTAL UNLOADING AUGER DRIVE GEARCASE	130 - 46	2B19	HOUSING COVER, TRANSMISSION AND DIFFERENTIAL	50 - 13
5D1	HORIZONTAL UNLOADING AUGER HOUSING (14- AND 17-FT.)	130 - 48	2C4	HOUSING, FINAL DRIVE	50 - 23
5D3	HORIZONTAL UNLOADING AUGER HOUSING (17- AND 20-FT.)	130 - 50	5D1	HOUSING, HORIZONTAL UNLOADING AUGER (14- AND 17-FT.)	130 - 48
5D5	HORIZONTAL UNLOADING AUGER HOUSING (17- AND 20-FT.)	130 - 52	5D3	HOUSING, HORIZONTAL UNLOADING AUGER (17- AND 20-FT.)	130 - 50
5C23	HORIZONTAL UNLOADING AUGER HUB SUPPORT AND SWITCH	130 - 44	5D5	HOUSING, HORIZONTAL UNLOADING AUGER (17- AND 20-FT.)	130 - 52
5C19	HORIZONTAL UNLOADING AUGER SWIVEL	130 - 40	2C12	HOUSING, HYDROSTATIC DRIVE PUMP	50 - 32
3G19	HOSE, A/C COMPRESSOR	90 - 77	1D6	HOUSING, OIL FILTER	24 - 28
2J23	HOSE, CHARGE PRESSURE	70 - 84	1C17	HOUSING, REAR OIL SEAL	24 - 14
2G22	HOSE, HYDRAULIC, VARIABLE DRIVE, FEEDER HOUSE	70 - 10	2F24	HOUSING, SPINDLE, REAR AXLE	60 - 38
4J6	HOSES AND LINES, CHAFF SPREADER (DUAL MOTOR)	125 - 30	2F25	HOUSING, SPINDLE, REAR AXLE GRAIN	60 - 39
2E1	HOSES AND LINES, FOUR WHEEL DRIVE	50 - 72	4J14	HOUSING, TAILINGS ELEVATOR	125 - 38
2D23	HOSES AND LINES, FOUR WHEEL DRIVE HYDRAU LIC, L.H.	50 - 70	1D12	HOUSING, THERMOSTAT, FRONT	24 - 34
2H17	HOSES AND LINES, HEADER LIFT	70 - 30	5C23	HUB SUPPORT AND SWITCH, HORIZONTAL UNLOADING AUGER	130 - 44
2112	HOSES AND LINES, HYDRAULIC, CYLINDER SPEED	70 - 48	1B10	HUB, ENGINE FAN	20 - 6
2H13	HOSES AND LINES, HYDRAULIC, REEL FORE- AND-AFT, FRONT	70 - 26	1E2	HUB, FAN PULLEY	24 - 49
2H9	HOSES AND LINES, HYDRAULIC, REEL PUMP	70 - 22	1C18	HUB, FLYWHEEL	24 - 15
2D21	HOSES AND LINES, OIL COOLER, HYDROSTATIC	50 - 68	2H23	HYDRAULIC FILTER ASSEMBLY, MAIN	70 - 36
2J11	HOSES AND LINES, OIL COOLER, WET CLUTCH	70 - 72	2J21	HYDRAULIC FLAT O-RING KIT	70 - 82
2D13	HOSES AND LINES, OIL, HYDROSTATIC DRIVE, LOWER (TWO WHEEL DRIVE)	50 - 60	2G22	HYDRAULIC HOSE, VARIABLE DRIVE, FEEDER HOUSE	70 - 10
2H7	HOSES AND LINES, REEL DRIVE, HYD., FRONT	70 - 20	2H19	HYDRAULIC HOSES, CONTOUR MASTER (L.H.) (OPTIONAL)	70 - 32
2G16	HOSES AND LINES, REEL DRIVE, HYDRAULIC, L.H. SIDE	70 - 4	2112	HYDRAULIC LINES AND HOSES, CYLINDER SPEED	70 - 48
2H11	HOSES AND LINES, REEL LIFT	70 - 24	2H17	HYDRAULIC LINES AND HOSES, HEADER LIFT	70 - 30
2F3	HOSES AND LINES, STEERING, FRONT	60 - 16	2D23	HYDRAULIC LINES AND HOSES, L.H., FOUR WH EEL DRIVE	50 - 70
2F11	HOSES AND LINES, STEERING, REAR	60 - 24	2H13	HYDRAULIC LINES AND HOSES, REEL FORE-AND-AFT, FRONT	70 - 26
2J3	HOSES AND LINES, UNLOADING AUGER SWING HYDRAULIC CYLINDER	70 - 64	2G16	HYDRAULIC LINES AND HOSES, REEL DRIVE L.H. SIDE	70 - 4
218	HOSES AND LINES, UPPER RETURN, HYDRAULIC RESERVOIR	70 - 44	2H7	HYDRAULIC LINES AND HOSES, REEL DRIVE, FRONT	70 - 20
2J5	HOSES, GRAIN TANK UNLOADING DRIVE CYLINDER	70 - 66	2H9	HYDRAULIC LINES AND HOSES, REEL PUMP	70 - 22
2H19	HOSES, HYDRAULIC, CONTOUR MASTER (L.H.) (OPTIONAL)	70 - 32	2E4	HYDRAULIC LINES, FOUR WHEEL DRIVE CASE DRAIN	50 - 75
4K7	HOSES, LUBE, L. H.	125 - 58	2H15	HYDRAULIC LINES, REEL FORE-AND-AFT, L.H. SIDE	70 - 28
4K5	HOSES, LUBE, R. H.	125 - 56	2J7	HYDRAULIC MOUNTING, UNLOADING AUGER SWING	70 - 68
2D17	HOSES, OIL, HYDROSTATIC DRIVE, LOWER (FOUR WHEEL DRIVE)	50 - 64	2110	HYDRAULIC PRESSURE LINES AND HOSES	70 - 46
2D15	HOSES, OIL, HYDROSTATIC DRIVE, LOWER (TWO WHEEL DRIVE)	50 - 62	2E7	HYDRAULIC PUMP CONNECTING HARDWARE, HYDROSTATIC DRIVE PUMP	50 - 78
2110	HOSES, PRESSURE, HYDRAULIC	70 - 46	2I24	HYDRAULIC PUMP, MAIN	70 - 60
1F7	HOSES, RADIATOR	30 - 14	2I6	HYDRAULIC RETURN LINES	70 - 42
2F5	HOSES, STEERING, UPPER	60 - 18	2F5	HYDRAULIC STEERING HOSES, UPPER AND ATTENUATOR	60 - 18
2J10	HOSES, TILT CYLINDER - CONTOUR MASTER	70 - 71	218	HYDRAULIC UPPER RETURN LINES AND HOSES, RESERVOIR	70 - 44
2D19	HOSES, UPPER, HYDROSTATIC DRIVE (FOUR WHEEL DRIVE)	50 - 66	211	HYDRAULIC/HYDROSTATIC OIL RESERVOIR AND MOUNTINGS	70 - 37
4J4	HOSES, VALVE, PUMP AND LINES, CHAFF SPREADER	125 - 28	2C15	HYDROSTATIC DRIVE CHARGE PUMP	50 - 35
3E19	HOUSING AND AIR FILTER, CAB	90 - 28	2C16	HYDROSTATIC DRIVE CHARGE PUMP (RING AND PINION)	50 - 36

ALPHABETICAL INDEX - CONTINUED

GRID		PAGE	GRID		PAGE
2B10	HYDROSTATIC DRIVE CONTROL CABLE	50 - 4		K	
2C17	HYDROSTATIC DRIVE DISPLACEMENT CONTROL VALVE	50 - 38	1C8	KEY ENGINE SERVICE PARTS.....	24 - 4
2D19	HYDROSTATIC DRIVE HOSES, UPPER (FOUR WHEEL DRIVE)	50 - 66	4H25	KEY STOCK, METRIC KIT	121 - 84
2B8	HYDROSTATIC DRIVE LEVER, CABLE AND SWITC H.....	50 - 2	4K9	KEY STOCK, METRIC KIT	125 - 60
2C19	HYDROSTATIC DRIVE MOTOR.....	50 - 40	1C14	KEY, DAMPER.....	24 - 11
2E5	HYDROSTATIC DRIVE MOTOR.....	50 - 76	4J1	KIT, ADJUSTING SCREW, REEL DRIVE FLOW CONTROL VALVE.....	125 - 25
2C21	HYDROSTATIC DRIVE MOTOR KIT	50 - 42	3F15	KIT, AIR SUSPENSION SEAT	90 - 48
2D17	HYDROSTATIC DRIVE OIL LINES AND HOSES, LOWER (FOUR WHEEL DRIVE)	50 - 64	3F17	KIT, AIR SUSPENSION SEAT	90 - 50
2D13	HYDROSTATIC DRIVE OIL LINES AND HOSES, LOWER (TWO WHEEL DRIVE)	50 - 60	3F19	KIT, AIR SUSPENSION SEAT	90 - 52
2D15	HYDROSTATIC DRIVE OIL LINES AND HOSES, LOWER (TWO WHEEL DRIVE)	50 - 62	3F21	KIT, AIR SUSPENSION SEAT	90 - 54
2C14	HYDROSTATIC DRIVE PISTON.....	50 - 34	3H1	KIT, CAB HARDWARE	90 - 84
2C11	HYDROSTATIC DRIVE PUMP COVER	50 - 30	3G21	KIT, COMPRESSOR HARDWARE R134A	90 - 80
2C9	HYDROSTATIC DRIVE PUMP, FRONT COVER AND SHAFT	50 - 28	1J17	KIT, CONVENIENCE OUTLET	40 - 102
2C12	HYDROSTATIC DRIVE PUMP, HOUSING, SWASHPLATE, AND SERVO CYLINDERS.....	50 - 32	1E7	KIT, CYLINDER HEAD	24 - 54
2C22	HYDROSTATIC MOTOR VALVE	50 - 43	1J1	KIT, ELECTRICAL CONNECTOR SERVICE	40 - 86
2D21	HYDROSTATIC OIL COOLER LINES AND HOSES	50 - 68	1J3	KIT, ELECTRICAL CONNECTOR SERVICE	40 - 88
	I		1C11	KIT, ENGINE OVERHAUL.....	24 - 8
5C1	IDLER AND DRIVE TIGHTENER, CLEAN GRAIN ELEVATOR	130 - 22	1E7	KIT, ENGINE REBUILD.....	24 - 54
1B10	IDLER ARM, ENGINE FAN.....	20 - 6	4D9	KIT, GRAIN LEAK	120 - 54
1E13	IDLER PULLEY, AIR CONDITIONER COMPRESSOR ..	24 - 60	1C21	KIT, HEAD BOLT	24 - 18
3110	IDLER SHAFT, DRUM AND CHAIN, FEEDER CONVEYOR.....	110 - 32	2J21	KIT, HYDRAULIC FLAT O-RING.....	70 - 82
4C11	IDLER, BEATER DRIVE BELT	120 - 30	2C21	KIT, HYDROSTATIC DRIVE MOTOR.....	50 - 42
4C5	IDLER, STRIPPER BEATER DRIVE.....	120 - 24	3I5	KIT, LOCKOUT ADAPTER - CONTOUR MASTER (BELT PU & 4R CORN HEADS)	110 - 26
4C1	INDICATOR, CABLE AND BRACKETS, CONCAVE	120 - 20	4H25	KIT, METRIC KEY STOCK	121 - 84
4C3	INDICATOR, CONCAVE, CORN AND SMALL GRAIN ..	120 - 22	4K9	KIT, METRIC KEY STOCK	125 - 60
4B24	INDICATOR, SPIKE TOOTH.....	120 - 18	1C13	KIT, PISTON/LINER.....	24 - 10
1D22	INJECTION PUMP GEAR	24 - 44	4I25	KIT, SEAL REPAIR, REEL DRIVE FLOW CONTROL VALVE.....	125 - 24
1D22	INJECTION PUMP LUBE LINE.....	24 - 44	2F20	KIT, STEERING CYLINDER	60 - 33
1D22	INJECTION PUMP, ELECTRONIC FUEL.....	24 - 44	1J5	KIT, TERMINAL AND WIRING	40 - 90
1H21	INLET AIR TEMPERATURE SWITCH	40 - 58	1D10	KIT, WATER PUMP SEAL.....	24 - 32
2D1	INNER COVER.....	50 - 48	1C15	KIT,UNDERSIZE CRANKSHAFT (CONNECTING ROD JOURNAL)	24 - 12
2B22	INPUT SHAFT, TRANSMISSION	50 - 16	1E17	KIT,UNDERSIZED MAIN BEARING CRANKSHAFT.....	24 - 64
1C21	INSERTS, VALVE SEAT	24 - 18	4H17	KNIFEBANK AND HOUSING, STRAW CHOPPER	121 - 76
1F19	INSTRUMENT PANEL, CAB POST	40 - 6	4H19	KNIFEBANK AND HOUSING, STRAW CHOPPER	121 - 78
3E21	INSTRUMENT PANEL, CAB POST	90 - 30	4I21	KNOB, CONTROL, CHECK VALVE AND ROD, CHAFF SPREADER	125 - 20
1D14	INTAKE MANIFOLD.....	24 - 36		L	
1D14	INTAKE MANIFOLD GASKET.....	24 - 36	1G22	L H MAIN WIRING HARNESS, L H FRONT	40 - 34
3I22	INTAKE SHIELD.....	110 - 44	1G24	L H MAIN WIRING HARNESS, L H FRONT	40 - 36
1F1	INTAKE TUBES AND AIR CLEANER.....	30 - 8	1H5	L.H. AND R.H. MAIN WIRING HARNESS, REAR	40 - 42
1C21	INTAKE VALVES	24 - 18	3D3	L.H. FRONT CORNER SHEET AND DOOR	80 - 48
1D1	INTAKE, ENGINE OIL PUMP	24 - 23	1H1	L.H. MAIN WIRING HARNESS, L.H. CENTER	40 - 38
1B14	INTERCOOLER	20 - 10	3C22	L.H. SERVICE ACCESS SHIELD	80 - 42
3D23	INTERIOR TRIM PANELS, CAB.....	90 - 8	2F13	L.H. STEERING LINES	60 - 26
4G7	INTERMEDIATE SHAFT MOUNTING, CYLINDER DRIVE, DUAL-RANGE.....	121 - 42	3E9	LADDER AND HANDRAIL, OPERATOR'S PLATFORM	90 - 18
4G9	INTERMEDIATE SHEAVE, CYLINDER DRIVE, DUAL-RANGE	121 - 44	3B23	LADDER AND LANDING, REAR.....	80 - 18
	J		3C1	LADDER LANDING LATCH ARM, REAR.....	80 - 20
1C6	JETS, PISTON COOLING	24 - 2	1K2	LAMP ASSEMBLY, REAR L.H. SIDE	40 - 112
			1K1	LAMP ASSEMBLY, REAR R.H. SIDE.....	40 - 111
			1J13	LAMP, INSTALLATION	40 - 98
			1J25	LAMPS, LICENSE PLATE (EXPORT)	40 - 110
			3B23	LANDING AND LADDER, REAR.....	80 - 18
			3E17	LANDING AND MIRROR, CAB (R.H.)	90 - 26
			3E15	LANDING AND MIRROR, CAB, L.H.	90 - 24
			3C1	LANDING LATCH ARM, REAR LADDER.....	80 - 20
			3I14	LATCH HANDLE, FEED PLATE	110 - 36
			3E1	LATCH, CAB DOOR	90 - 10

ALPHABETICAL INDEX - CONTINUED

GRID		PAGE	GRID		PAGE
5C15	LATCH, GRAIN TANK CLEAN OUT CHUTE	130 - 36	2I10	LINES, PRESSURE, HYDRAULIC	70 - 46
4C19	LATCHES, HANDLE, SHOE GRAIN SUPPLY AUGER CLEANOUT DOOR	120 - 38	2I6	LINES, RETURN, HYDRAULIC	70 - 42
4D9	LEAK KIT, GRAIN	120 - 54	2F15	LINES, STEERING R.H. SIDE	60 - 28
3D7	LEFT SIDE FRONT SHIELD ASSEMBLY	80 - 52	2F13	LINES, STEERING, L.H.	60 - 26
3D11	LEFT SIDE SHIELD ASSEMBLY	80 - 56	1E23	LINES, TANK FUEL	30 - 6
1I1	LEVEL MONITOR HARNESS, DUAL, GRAIN TANK.....	40 - 62	1D16	LINES, TURBOCHARGER OIL	24 - 38
1H23	LEVEL MONITOR, GRAIN TANK	40 - 60	2B20	LINKAGE AND LEVER, GEARSHIFT	50 - 14
2B20	LEVER AND LINKAGE, GEARSHIFT	50 - 14	3E23	LINKAGE AND LEVER, GEARSHIFT	90 - 32
3E23	LEVER AND LINKAGE, GEARSHIFT	90 - 32	4G23	LINKAGE, SHEAVE, FAN DRIVE SPEED CONTROL....	121 - 58
1J25	LICENSE PLATE LAMPS (EXPORT)	40 - 110	4G21	LINKAGE, SPEED CONTROL, FAN DRIVE.....	121 - 56
2H21	LIFT CYLINDER, HEADER, HYDRAULIC	70 - 34	5B21	LOADING AUGER, CLEAN GRAIN	130 - 16
1C25	LIFT STRAPS, ENGINE.....	24 - 22	5B23	LOADING AUGER, CLEAN GRAIN, FOLD	130 - 18
1I14	LIGHT SWITCH, SHOE ADJUSTING	40 - 75	2C23	LOBE MOTOR, CAM	50 - 44
1F14	LIGHT, CAB DOME	40 - 1	3I5	LOCKOUT ADAPTER KIT - CONTOUR MASTER (BELT PU & 4R CORN HEADS)	110 - 26
1H23	LIGHT, GRAIN TANK.....	40 - 60	4G3	LOCKOUT ARM, DUAL-RANGE	121 - 38
1I1	LIGHT, UNLOADING AUGER, GRAIN TANK.....	40 - 62	3I3	LOCKOUT ASSEMBLY - CONTOUR MASTER (OPTIONAL).....	110 - 24
1F23	LIGHTING, AUXILIARY, FIELD	40 - 10	1H1	LOGIC MODULE	40 - 38
1F21	LIGHTS, CAB ROOF	40 - 8	1H3	LOGIC MODULE	40 - 40
1J23	LIGHTS, FIELD	40 - 108	1H7	LOGIC MODULE	40 - 44
1F22	LIGHTS, FRONT AND REAR TAIL.....	40 - 9	1H13	LOW SHAFT SPEED SENSORS AND BRACKETS	40 - 50
1F22	LIGHTS, FRONT AND REAR TURN	40 - 9	4I9	LOWER CURTAIN, STRAW SPREADER.....	125 - 8
1I3	LIGHTS, SIDE FINDER, L.H. AND R.H.....	40 - 64	4H23	LOWER DOOR, STRAW CHOPPER	121 - 82
1J21	LIGHTS, TRANSPORT WARNING	40 - 106	1J9	LOWER HARNESS CONNECTORS FOR 6076 ENGINE	40 - 94
1H23	LIMIT SWITCH, GRAIN TANK	40 - 60	1H17	LOWER HARNESS FOR 6076 ENGINE	40 - 54
1D22	LINE, INJECTION PUMP LUBE	24 - 44	2D17	LOWER HYDROSTATIC DRIVE OIL LINES AND HOSES (FOUR WHEEL DRIVE)	50 - 64
1C13	LINER O-RINGS.....	24 - 10	2D13	LOWER HYDROSTATIC DRIVE OIL LINES AND HOSES (TWO WHEEL DRIVE)	50 - 60
1C13	LINER SHIM.....	24 - 10	2D15	LOWER HYDROSTATIC DRIVE OIL LINES AND HOSES (TWO WHEEL DRIVE)	50 - 62
1C13	LINERS, CYLINDER	24 - 10	2F9	LOWER STEERING COLUMN	60 - 22
4J2	LINES AND FITTINGS, CHAFF SPREADER	125 - 26	3G8	LOWER STEERING COLUMN	90 - 66
4J6	LINES AND HOSES, CHAFF SPREADER (DUAL MOTOR).....	125 - 30	5E6	LOWER TAILINGS AUGER BELT	170 - 5
2E1	LINES AND HOSES, FOUR WHEEL DRIVE	50 - 72	4J18	LOWER TAILINGS AUGER CHAIN TIGHTENER	125 - 42
2D23	LINES AND HOSES, FOUR WHEEL DRIVE HYDRAU LIC, L.H.....	50 - 70	4J19	LOWER TAILINGS AUGER DRIVE TIGHTENER	125 - 44
2H17	LINES AND HOSES, HEADER LIFT HYDRAULIC	70 - 30	4J10	LOWER TAILINGS AUGER SHAFT AND TIGHTENER	125 - 34
2I12	LINES AND HOSES, HYDRAULIC, CYLINDER SPEED	70 - 48	4J12	LOWER TAILINGS AUGER TROUGH	125 - 36
2H7	LINES AND HOSES, HYDRAULIC, REEL DRIVE, FRONT	70 - 20	4J17	LOWER TROUGH SUPPORT AND TAILINGS DRIVE BRACKET	125 - 41
2H13	LINES AND HOSES, HYDRAULIC, REEL FORE- AND-AFT, FRONT	70 - 26	5D19	LUBE BANK, UNLOADING AUGER	130 - 68
2H9	LINES AND HOSES, HYDRAULIC, REEL PUMP	70 - 22	4K7	LUBE HOSES L. H.	125 - 58
2D21	LINES AND HOSES, OIL COOLER, HYDROSTATIC	50 - 68	4K5	LUBE HOSES R. H.....	125 - 56
2J11	LINES AND HOSES, OIL COOLER, WET CLUTCH	70 - 72	4E7	LUBE LINES AND BEARING, MODULE FRONT.....	120 - 78
2D13	LINES AND HOSES, OIL, HYDROSTATIC DRIVE, LOWER (TWO WHEEL DRIVE)	50 - 60	2H1	LUBE OIL PUMP WITH DUST SUPPRESSION	70 - 14
2G16	LINES AND HOSES, REEL DRIVE, HYDRAULIC, L.H. SIDE.....	70 - 4	2G24	LUBE OIL PUMP, FEEDER HOUSE OIL COOLER.....	70 - 12
2H11	LINES AND HOSES, REEL LIFT	70 - 24	2B22	LUBE PUMP, TRANSMISSION INPUT SHAFT	50 - 16
2F3	LINES AND HOSES, STEERING, FRONT.....	60 - 16			
2F11	LINES AND HOSES, STEERING, REAR	60 - 24		M	
2J3	LINES AND HOSES, UNLOADING AUGER SWING HYDRAULIC CYLINDER	70 - 64	1E14	MAGNETIC PICK-UP (ENGINE)	24 - 61
2I8	LINES AND HOSES, UPPER RETURN, HYDRAULIC RESERVOIR	70 - 44	1C6	MAIN BEARING CAPS	24 - 2
1E3	LINES, FUEL FILTER	24 - 50	1C16	MAIN BEARINGS.....	24 - 13
1D22	LINES, FUEL LEAK-OFF	24 - 44	2H23	MAIN HYDRAULIC FILTER ASSEMBLY	70 - 36
4J4	LINES, HOSES, VALVE AND PUMP, CHAFF SPREADER	125 - 28	2I24	MAIN HYDRAULIC PUMP	70 - 60
2H15	LINES, HYDRAULIC, REEL FORE-AND-AFT, L.H. SIDE	70 - 28	5D23	MAIN VALVE BLOCK SOLENOID DIAL-A-MATIC HEADER HEIGHT CONTROL	160 - 3
2D17	LINES, OIL, HYDROSTATIC DRIVE, LOWER (FOUR WHEEL DRIVE)	50 - 64	1H3	MAIN WIRING HARNESS, L.H. CENTER	40 - 40
2D15	LINES, OIL, HYDROSTATIC DRIVE, LOWER (TWO WHEEL DRIVE)	50 - 62	2D3	MANIFOLD AND PACKING.....	50 - 50
			3G18	MANIFOLD, A/C COMPRESSOR R134A	90 - 76
			1D14	MANIFOLD, INTAKE	24 - 36
			1D12	MANIFOLD, WATER, FRONT	24 - 34
			1D18	MANIFOLDS, EXHAUST	24 - 40
			2E19	MASTER CYLINDER, BRAKE.....	60 - 8

ALPHABETICAL INDEX - CONTINUED

GRID		PAGE	GRID		PAGE
2E17	MASTER CYLINDER, RESERVOIR AND BRAKE LINES	60 - 6		N	
3D17	MAT, FLOOR, AND CAB PANELS	90 - 2	1E1	NOZZLE, FUEL INJECTION	24 - 48
4H25	METRIC KEY STOCK KIT	121 - 84	1D20	NOZZLES, FUEL INJECTION/LINES, FUEL	24 - 42
4K9	METRIC KEY STOCK KIT	125 - 60		O	
3E17	MIRROR AND LANDING, CAB (R.H.)	90 - 26	1D10	O-RING, WATER PUMP	24 - 32
3E15	MIRROR AND LANDING, CAB, L.H.	90 - 24	3G19	O-RINGS, A/C COMPRESSOR HOSE	90 - 77
4D25	MODULE ASSEMBLY	120 - 70	1C13	O-RINGS, LINER	24 - 10
4E3	MODULE CRANK OUT SYSTEM	120 - 74	1D5	OIL COOLER ADAPTER	24 - 27
4E20	MODULE DRIVE GEARCASE, L.H.	121 - 6	2J13	OIL COOLER AND A/C CONDENSER	70 - 74
4E18	MODULE DRIVE GEARCASE, R.H.	121 - 4	1D4	OIL COOLER BYPASS ADAPTER	24 - 26
4E22	MODULE DRIVES, ENGINE GEARCASE	121 - 8	1D4	OIL COOLER BYPASS TUBES	24 - 26
4E24	MODULE DRIVES, ENGINE GEARCASE	121 - 10	1D5	OIL COOLER COVER	24 - 27
4E5	MODULE FRAME AND COVERS	120 - 76	2D21	OIL COOLER LINES AND HOSES, HYDROSTATIC.....	50 - 68
4E7	MODULE FRONT BEARING AND LUBE LINES	120 - 78	2J11	OIL COOLER LINES AND HOSES, WET CLUTCH	70 - 72
4E16	MODULE GEARBOX, SHAFT AND COUPLING	121 - 2	1D5	OIL COOLER TUBES	24 - 27
4E9	MODULE GRATE ASSEMBLY, FINGER BAR AND FILLER PLATE.....	120 - 80	1D5	OIL COOLER, ENGINE	24 - 27
3C5	MODULE MOUNTING TRACKS AND SUPPORTS	80 - 24	2H1	OIL COOLER, FEEDER HOUSE	70 - 14
3B7	MODULE RAILS, TINE SEPARATOR.....	80 - 2	2H3	OIL COOLER, FEEDER HOUSE GEARCASE	70 - 16
4E1	MODULE REAR SHIELDS	120 - 72	1B21	OIL COOLER, RADIATOR.....	20 - 18
5G13	MODULE SAFETY DECALS, SEPARATOR.....	170 - 61	1B19	OIL DRAIN, ENGINE CRANKCASE	20 - 16
4E11	MODULE TINE SEPARATORS.....	120 - 82	2J15	OIL FILTER ASSEMBLY, ENGINE GEARCASE	70 - 76
1H5	MODULE WIRING HARNESS.....	40 - 42	1D6	OIL FILTER BASE	24 - 28
1I21	MODULE, CENTRAL ELECTRONICS	40 - 82	1D6	OIL FILTER BYPASS VALVE	24 - 28
1H1	MODULE, LOGIC.....	40 - 38	1D6	OIL FILTER HOUSING	24 - 28
1H3	MODULE, LOGIC.....	40 - 40	1D6	OIL FILTER HOUSING GASKET	24 - 28
1H7	MODULE, LOGIC.....	40 - 44	1D6	OIL FILTER, ENGINE	24 - 28
2I22	MODULE, SIX STACK SOLENOID CONTROL VALVE ASSEMBLY & MOUNTINGS.....	70 - 58	2D17	OIL HOSES, HYDROSTATIC DRIVE, LOWER (FOUR WHEEL DRIVE)	50 - 64
1H11	MONITOR AND WIRING HARNESS, HARVESTRAK	40 - 48	2D15	OIL HOSES, HYDROSTATIC DRIVE, LOWER (TWO WHEEL DRIVE)	50 - 62
1I1	MONITOR HARNESS, DUAL LEVEL, GRAIN TANK.....	40 - 62	2D13	OIL LINES AND HOSES, HYDROSTATIC DRIVE, LOWER (TWO WHEEL DRIVE)	50 - 60
1H23	MONITOR, LEVEL, GRAIN TANK.....	40 - 60	2D17	OIL LINES HYDROSTATIC DRIVE, LOWER (FOUR WHEEL DRIVE)	50 - 64
1I11	MOTOR AND BRACKET, REEL SPEED	40 - 72	2D15	OIL LINES HYDROSTATIC DRIVE, LOWER (TWO WHEEL DRIVE)	50 - 62
2C21	MOTOR KIT, HYDROSTATIC DRIVE	50 - 42	1D16	OIL LINES, TURBOCHARGER	24 - 38
2C22	MOTOR VALVE, HYDROSTATIC	50 - 43	1D8	OIL PAN	24 - 30
1I7	MOTOR, ADJUSTING, CONCAVE	40 - 68	1D8	OIL PAN DRAIN VALVE	24 - 30
1I4	MOTOR, ADJUSTING, SEPARATOR FAN DRIVE	40 - 65	1D8	OIL PAN GASKET	24 - 30
2C23	MOTOR, CAM LOBE	50 - 44	1D5	OIL PRESSURE REGULATING VALVE	24 - 27
2G20	MOTOR, CHAFF SPREADER (EATON).....	70 - 8	1D6	OIL PRESSURE REGULATING VALVE	24 - 28
2C19	MOTOR, HYDROSTATIC DRIVE	50 - 40	1C14	OIL PUMP DRIVE GEAR	24 - 11
2E5	MOTOR, HYDROSTATIC DRIVE	50 - 76	1D2	OIL PUMP DRIVE GEAR	24 - 24
4I19	MOUNTING SUPPORT, CHAFF SPREADER	125 - 18	1D2	OIL PUMP GASKET	24 - 24
1I19	MOUNTING SUPPORT, ELECTRONIC CONTROL UNIT.....	40 - 80	1D1	OIL PUMP INTAKE	24 - 23
1I17	MOUNTING SUPPORT, ELECTRONIC CONTROL UNIT (SN -XXXXXX)	40 - 78	1D1	OIL PUMP INTAKE GASKET	24 - 23
3C5	MOUNTING TRACKS AND SUPPORTS, MODULE	80 - 24	1D2	OIL PUMP, ENGINE	24 - 24
1I9	MOUNTING, ALTERNATOR	40 - 70	2I1	OIL RESERVOIR AND MOUNTINGS, HYDRAULIC/HYDROSTATIC	70 - 37
2J5	MOUNTING, GRAIN TANK UNLOADING DRIVE CYLINDER	70 - 66	1C19	OIL SEAL, CRANKSHAFT FRONT	24 - 16
2I4	MOUNTING, ONE GALLON ACCUMULATOR	70 - 40	1C17	OIL SEAL, REAR	24 - 14
2I2	MOUNTING, ONE HALF GALLON SINGLE ACCUMULATOR	70 - 38	3G18	OIL, A/C COMPRESSOR R134A	90 - 76
2J7	MOUNTING, UNLOADING AUGER SWING HYDRAULIC.....	70 - 68	1C5	OIL, ENGINE (TORQ-GARD, PLUS-50).....	24 - 1
2I22	MOUNTINGS, SIX STACK SOLENOID CONTROL VALVE	70 - 58	2I4	ONE GALLON ACCUMULATOR AND MOUNTING.....	70 - 40
2I20	MOUNTINGS, SOLENOID CONTROL VALVE MODULE ASSEMBLY	70 - 56	2I2	ONE HALF GALLON SINGLE ACCUMULATOR AND MOUNTING	70 - 38
1B13	MOUNTS, ENGINE	20 - 9	3E9	OPERATOR'S PLATFORM LADDER AND HANDRAIL..	90 - 18
3C17	MUD AND FAN DRIVE SHIELDS (L-H SIDE)	80 - 36	3F5	OPERATOR'S SEAT AND BACKREST	90 - 38
2E3	MUD SHIELDS.....	50 - 74	3F7	OPERATOR'S SEAT SEATBELT	90 - 40
3D5	MUD SHIELDS (R.H. SIDE)	80 - 50	2C24	OUTER COVER, BEARINGS, SEALS AND SHAFT CAM LOBE MOTOR	50 - 46
1F5	MUFFLER AND EXHAUST PIPES	30 - 12	1J19	OUTLET, CONVENIENCE	40 - 104

ALPHABETICAL INDEX - CONTINUED

GRID		PAGE	GRID		PAGE
1J8	OUTLET, ELECTRICAL SERVICE	40 - 93	3G20	PULLEY, A/C COMPRESSOR R134A	90 - 79
1C11	OVERHAUL KIT, ENGINE	24 - 8	1E13	PULLEY, AIR CONDITIONER COMPRESSOR FAN	24 - 60
1F17	OVERHEAD CONSOLE PANEL	40 - 4	1E9	PULLEY, CRANKSHAFT AND DAMPERS	24 - 56
			1E2	PULLEY, FAN, HUB	24 - 49
	P		4G13	PULLEY, SECONDARY COUNTERSHAFT DRIVE	121 - 48
2D3	PACKING AND MANIFOLD	50 - 50	4F7	PUMP AND SEPARATOR DRIVE, ENGINE GEARCASE	121 - 18
4J21	PADDLE ASSEMBLY AND HOUSING, UPPER TAILINGS AUGER	125 - 46	4F9	PUMP DRIVE AND SEPARATOR, GEARCASE	121 - 20
1D8	PAN, OIL	24 - 30	4F5	PUMP DRIVE SHAFT AND SEPARATOR DRIVE WET-CLUTCH, GEARCASE	121 - 16
4D23	PAN, SHAKER	120 - 68	4J8	PUMP, CHAFF SPREADER	125 - 32
4117	PAN, WINGS AND SEALS, CHAFF SPREADER (DUAL MOTOR)	125 - 16	2C9	PUMP, DRIVE, HYDROSTATIC	50 - 28
1G3	PANEL, ARMREST CONTROL	40 - 14	1E21	PUMP, FUEL	30 - 4
1F19	PANEL, CAB POST INSTRUMENT	40 - 6	1D22	PUMP, FUEL INJECTION	24 - 44
3E21	PANEL, CAB POST INSTRUMENT	90 - 30	1D25	PUMP, FUEL TRANSFER (ROBERT BOSCH)	24 - 47
1F17	PANEL, OVERHEAD CONSOLE	40 - 4	2C15	PUMP, HYDROSTATIC DRIVE CHARGE	50 - 35
3D17	PANELS AND FLOOR MAT, CAB	90 - 2	2C16	PUMP, HYDROSTATIC DRIVE CHARGE (RING AND PINION)	50 - 36
3D23	PANELS, CAB INTERIOR TRIM	90 - 8	4J4	PUMP, LINES, HOSES AND VALVE, CHAFF SPREADER	125 - 28
1H1	PARK BRAKE SWITCH	40 - 38	2G24	PUMP, LUBE OIL, FEEDER HOUSE OIL COOLER	70 - 12
2E13	PARKING BRAKE PEDAL AND SEAL	60 - 2	2I24	PUMP, MAIN HYDRAULIC	70 - 60
1C8	PARTS, KEY ENGINE SERVICE	24 - 4	1D2	PUMP, OIL ENGINE	24 - 24
2E13	PEDAL, PARKING BRAKE	60 - 2	2H9	PUMP, REEL, HYDRAULIC LINES AND HOSES	70 - 22
2E15	PEDALS, BRAKE AND CYLINDERS, MASTER	60 - 4	2F1	PUMP, STEERING	60 - 14
1E14	PICK-UP, MAGNETIC (ENGINE)	24 - 61	1D10	PUMP, WATER	24 - 32
2J1	PICKUP DRIVE PUMP, REEL/BELT	70 - 62	1C23	PUSH RODS	24 - 20
2B24	PINION SHAFT, TRANSMISSION	50 - 18		Q	
2C7	PINION, FINAL DRIVE	50 - 26	2D4	QUILL, BEARING AND COVER	50 - 51
1F5	PIPES, MUFFLER AND EXHAUST	30 - 12		R	
2C14	PISTON ASSEMBLY, HYDROSTATIC DRIVE	50 - 34	1H7	R.H. MAIN WIRING HARNESS	40 - 44
1C6	PISTON COOLING JETS	24 - 2	3C20	R.H. SERVICE ACCESS SHIELD	80 - 40
1C13	PISTON RINGS	24 - 10	2F15	R.H. SIDE STEERING LINES	60 - 28
1C13	PISTON/LINER KIT	24 - 10	1F7	RADIATOR AND HOSES	30 - 14
1C13	PISTON, ENGINE	24 - 10	3B11	RADIATOR DOOR, ENGINE ACCESS DOOR, HANDRAILS	80 - 6
2D5	PISTONS, CAM AND CARRIER	50 - 52	3B13	RADIATOR SHELL AND SEALS	80 - 8
4G17	PIVOT ARM DRIVE TIGHTENER, CLEANING SHOE AND CONVEYOR AUGER	121 - 52	1B21	RADIATOR WITH OIL COOLER, A/C CONDENSER AND AIR INTER COOLER	20 - 18
2D7	PIVOTS, CAPS AND YOKE	50 - 54	1G16	RADIO, SPEAKERS AND ANTENNA	40 - 28
2B14	PLANETARY FINAL DRIVE WIDE-SPACED DUAL WHEELS	50 - 8	3B7	RAILS, TINE SEPARTATOR MODULE	80 - 2
5D9	PLATE, CROSS AUGER BEARING, L.H.	130 - 56	4B14	RASP BAR CONCAVE AND GRATE	120 - 8
311	PLATES, CLOSURE, FEEDER HOUSE - CONTOUR MASTER	110 - 22	4B12	RASP BAR THRESHING CYLINDER	120 - 6
3H23	PLATES, WEAR, FEEDER HOUSE - CONTOUR MASTER	110 - 20	3D21	REAR AND SIDE SEALS, CAB	90 - 6
3B21	PLATFORM AND STEP, ENGINE ACCESS	80 - 16	2F24	REAR AXLE SPINDLE HOUSING	60 - 38
3B15	PLATFORM, ENGINE	80 - 10	2F25	REAR AXLE SPINDLE HOUSING - GRAIN	60 - 39
2G23	PLATFORM, 200 SERIES CUTTING, CONVERSION PARTS	70 - 11	2G1	REAR AXLE SPINDLES	60 - 40
1F19	POST INSTRUMENT PANEL, CAB	40 - 6	2F23	REAR AXLE SUPPORT	60 - 36
3E21	POST INSTRUMENT PANEL, CAB	90 - 30	2F17	REAR AXLE TRASH SHIELD	60 - 30
4D7	PRECLEANER CHAFFER FRAME	120 - 52	2F21	REAR AXLE, ADJUSTABLE	60 - 34
4D11	PRECLEANER CHAFFER FRAME ARMS	120 - 56	2F22	REAR AXLE, FIXED (GRAIN)	60 - 35
4D5	PRECLEANING CHAFFER	120 - 50	3D1	REAR CORNER SHEET, L H	80 - 46
2G14	PRESSURE GAUGE, ACCUMULATOR	70 - 2	3C3	REAR HOOD	80 - 22
2J23	PRESSURE HOSE, CHARGE	70 - 84	3C7	REAR HOOD ACCESS DOOR AND STOP	80 - 26
2J17	PRESSURE REGULATOR, ENGINE GEARCASE	70 - 78	1H5	REAR HOOD AND MODULE WIRING HARNESSES	40 - 42
2110	PRESSURE, HYDRAULIC, LINES AND HOSES	70 - 46	3C9	REAR HOOD DOOR	80 - 28
3G12	PRESSURIZER AND AIR CONDITIONING/ HEATER FAN	90 - 70	3B23	REAR LADDER AND LANDING	80 - 18
4F13	PRIMARY COUNTERSHAFT GEARCASE	121 - 24	3C1	REAR LADDER LANDING LATCH ARM	80 - 20
4F15	PRIMARY COUNTERSHAFT GEARCASE	121 - 26	1K2	REAR LAMP ASSEMBLY, L.H. SIDE	40 - 112
4F11	PRIMARY COUNTERSHAFT, DRIVE SHAFT AND GEARCASE MOUNTING	121 - 22	1K1	REAR LAMP ASSEMBLY, R.H. SIDE	40 - 111
4F19	PRIMARY COUNTERSHAFT, SUPPORTS AND VARI- ABLE SHEAVE	121 - 30	4K3	REAR LEFT SIDE TAILINGS SHIELD	125 - 54

ALPHABETICAL INDEX - CONTINUED

GRID		PAGE	GRID		PAGE
1C17	REAR OIL SEAL	24 - 14	1C23	ROCKER ARMS.....	24 - 20
1C17	REAR OIL SEAL GASKET	24 - 14	4I21	ROD, KNOB, CONTROL AND CHECK VALVE, CHAFF SPREADER	125 - 20
1C17	REAR OIL SEAL HOUSING	24 - 14	1C13	RODS, CONNECTING.....	24 - 10
4E1	REAR SHIELDS, MODULE	120 - 72	1C23	RODS, PUSH.....	24 - 20
2F11	REAR STEERING LINES AND HOSES	60 - 24	2G5	RODS, TIE, STEERING.....	60 - 44
1B13	REAR SUPPORT, ENGINE MOUNTS	20 - 9	3B7	ROLLERS, FRONT MODULE	80 - 2
4K3	REAR TAILINGS SHIELD, LEFT SIDE.....	125 - 54	3E7	ROOF AND SUPPORTS, CAB	90 - 16
5G9	REAR WHEEL DECALS	170 - 56	1F21	ROOF, CAB LIGHTS	40 - 8
2G10	REAR WHEELS	60 - 50	5E4	ROTARY SCREEN BELTS	170 - 3
2G8	REAR WHEELS AND WHEEL WEIGHTS	60 - 48	1B8	ROTARY SCREEN DOOR AND SCREEN.....	20 - 4
1H5	REAR, L.H. AND R.H. MAIN WIRING HARNESS	40 - 42	1B6	ROTARY SCREEN DRIVE	20 - 2
5E5	REEL BELTS	170 - 4	4H13	ROTOR STRAW CHOPPER, FINE CUT (PADDLED NARROW (670401-)	121 - 72
2G18	REEL DRIVE FLOW CONTROL VALVE	70 - 6	4H11	ROTOR STRAW CHOPPER, FINE CUT (STRAIGHT NARROW (670401-)	121 - 70
4I23	REEL DRIVE FLOW CONTROL VALVE	125 - 22	4H15	ROTOR, SHEAVE AND STRAW CHOPPER	121 - 74
4J1	REEL DRIVE FLOW CONTROL VALVE ADJUSTING SCREW KIT.....	125 - 25			
4I25	REEL DRIVE FLOW CONTROL VALVE SEAL REPAIR KIT.....	125 - 24		S	
2G16	REEL DRIVE HYDRAULIC LINES AND HOSES L.H. SIDE.....	70 - 4	5E7	SAFETY DECALS AND LOCATIONS.....	170 - 6
2H7	REEL DRIVE HYDRAULIC LINES AND HOSES, FRONT	70 - 20	5E9	SAFETY DECALS AND LOCATIONS.....	170 - 8
2H13	REEL FORE-AND-AFT HYDRAULIC LINES AND HOSES, FRONT	70 - 26	5E11	SAFETY DECALS AND LOCATIONS.....	170 - 10
2H15	REEL FORE-AND-AFT HYDRAULIC LINES, L.H. SIDE.....	70 - 28	5E13	SAFETY DECALS AND LOCATIONS.....	170 - 12
2I16	REEL LIFT AND CYLINDER SPEED, SOLENOID CONTROL VALVE.....	70 - 52	5E15	SAFETY DECALS AND LOCATIONS.....	170 - 14
2H11	REEL LIFT LINES AND HOSES.....	70 - 24	5E17	SAFETY DECALS AND LOCATIONS.....	170 - 16
2H9	REEL PUMP HYDRAULIC LINES AND HOSES	70 - 22	5E19	SAFETY DECALS AND LOCATIONS - FRENCH	170 - 18
1I11	REEL SPEED MOTOR AND BRACKET.....	40 - 72	5E21	SAFETY DECALS AND LOCATIONS - FRENCH	170 - 20
4H3	REEL/BELT PICKUP CHARGE PUMP MOUNTING AND SHEAVE	121 - 62	5E23	SAFETY DECALS AND LOCATIONS - FRENCH	170 - 22
4H4	REEL/BELT PICKUP CHARGE PUMP MOUNTING AND SHEAVE	121 - 63	5F1	SAFETY DECALS AND LOCATIONS - FRENCH	170 - 24
2J1	REEL/BELT PICKUP DRIVE PUMP	70 - 62	5F3	SAFETY DECALS AND LOCATIONS - FRENCH	170 - 26
1I6	REGULATOR, ALTERNATOR AND VOLTAGE - BOSCH.....	40 - 67	5F5	SAFETY DECALS AND LOCATIONS - ITALIAN	170 - 28
2J17	REGULATOR, PRESSURE, ENGINE GEARCASE	70 - 78	5F9	SAFETY DECALS AND LOCATIONS - ITALIAN	170 - 32
1I15	RELAYS, ENGINE CIRCUIT BREAKER	40 - 76	5F11	SAFETY DECALS AND LOCATIONS - ITALIAN	170 - 34
2I18	RELIEF VALVE, SOLENOID CONTROL - CONTOUR MASTER	70 - 54	5F13	SAFETY DECALS AND LOCATIONS - ITALIAN	170 - 36
2I18	RELIEF VALVE, SOLENOID CONTROL VALVE UNLOAD MODULE	70 - 54	5F15	SAFETY DECALS AND LOCATIONS - ITALIAN	170 - 38
2I8	RESERVOIR HYDRAULIC UPPER RETURN LINES AND HOSES	70 - 44	5F17	SAFETY DECALS AND LOCATIONS - ITALIAN	170 - 40
2E17	RESERVOIR, BRAKE LINES AND MASTER CYLINDER	60 - 6	5F19	SAFETY DECALS AND LOCATIONS - ITALIAN	170 - 42
2I1	RESERVOIR, OIL, MOUNTINGS, HYDRAULIC/ HYDROSTATIC	70 - 37	5F21	SAFETY DECALS AND LOCATIONS - ITALIAN	170 - 44
2E9	RESERVOIR, RETURN LINE	50 - 80	5F23	SAFETY DECALS AND LOCATIONS - ITALIAN	170 - 46
3I20	RETURN FLOOR, FEEDER HOUSE	110 - 42	5G1	SAFETY DECALS AND LOCATIONS - ITALIAN	170 - 48
2E9	RETURN LINE, RESERVOIR	50 - 80	5G3	SAFETY DECALS AND LOCATIONS - ITALIAN	170 - 50
2I8	RETURN LINES AND HOSES, UPPER HYDRAULIC RESERVOIR	70 - 44	3H19	SAFETY STOP, CONTOUR MASTER FEEDER HOUSE	110 - 16
2I6	RETURN LINES, HYDRAULIC	70 - 42	3H17	SAFETY STOP, DRIVE SHIELDS, FEEDER HOUSE	110 - 14
3F1	REVERSER FOOT CONTROL, FEEDER HOUSE.....	90 - 34	5D17	SAMPLING TROUGH, GRAIN TANK	130 - 66
3H9	REVERSER FOOT CONTROL, FEEDER HOUSE.....	110 - 6	1B6	SCREEN DRIVE, ROTARY	20 - 2
3H7	REVERSER GEAR BOX	110 - 4	1B8	SCREEN, ROTARY DOOR	20 - 4
3J5	REVERSER).....	110 - 52	4I25	SEAL REPAIR KIT, REEL DRIVE FLOW CONTROL VALVE.....	125 - 24
3D9	RIGHT SIDE FRONT SHIELD ASSEMBLY	80 - 54	3G22	SEAL, A/C COMPRESSOR KIT R134A	90 - 81
3D13	RIGHT SIDE SHIELD ASSEMBLY	80 - 58	3G18	SEAL, A/C COMPRESSOR R134A.....	90 - 76
1D10	RING, WATER PUMP RETAINING.....	24 - 32	1H14	SEAL, DEFLECTOR - LESS HARVESTRAK	40 - 51
1C13	RINGS, PISTON.....	24 - 10	1C19	SEAL, FRONT OIL.....	24 - 16
1C24	ROCKER ARM COVER.....	24 - 21	2E13	SEAL, PARKING BRAKE PEDAL	60 - 2
1C24	ROCKER ARM COVER GASKET.....	24 - 21	1C17	SEAL, REAR OIL.....	24 - 14
1C23	ROCKER ARM SHAFT	24 - 20	4B8	SEAL, STONE TRAP AND DOOR, SEPARATOR/ FEEDER HOUSE.....	120 - 2
			1D10	SEAL, TUBE.....	24 - 32
			1D10	SEAL, WATER PUMP OIL	24 - 32
			3H23	SEALS, FEEDER HOUSE - CONTOUR MASTER.....	110 - 20
			3D19	SEALS, FOAM, SOUND DEADENING, CAB	90 - 4
			4I17	SEALS, PAN AND WINGS, CHAFF SPREADER (DUAL MOTOR).....	125 - 16
			3D21	SEALS, REAR AND SIDE, CAB	90 - 6
			2C24	SEALS, SHAFT, OUTER COVER AND BEARINGS CAM LOBE MOTOR	50 - 46

ALPHABETICAL INDEX - CONTINUED

GRID		PAGE	GRID		PAGE
3B13	SEALS, SHELL, RADIATOR	80 - 8	3H5	SHEAVE, MOUNTINGS, FRONT VARIABLE DRIVE	110 - 2
3F9	SEAT ADJUST FORE-AND-AFT	90 - 42	3J3	SHEAVE, MOUNTINGS, UPPER DRIVE SHAFT	110 - 50
3F5	SEAT AND BACKREST, OPERATOR'S	90 - 38	4H15	SHEAVE, ROTOR AND STRAW CHOPPER	121 - 74
3F11	SEAT HEIGHT ADJUSTER, CAB	90 - 44	5B15	SHEAVE, SHAFT AND SPROCKET, UPPER CLEAN GRAIN ELEVATOR	130 - 10
3F3	SEAT SHROUDS AND TRAINING SEAT	90 - 36	3I18	SHEAVES, FEEDER HOUSE, UPPER COUNTERSHAFT, VARIABLE DRIVE	110 - 40
3F13	SEAT, AIR SUSPENSION	90 - 46	3D3	SHEET AND DOOR, L.H. FRONT CORNER	80 - 48
3F15	SEAT, AIR SUSPENSION KITS	90 - 48	3C24	SHEET, FRONT CORNER, R.H.	80 - 44
3F17	SEAT, AIR SUSPENSION KITS	90 - 50	3D1	SHEET, REAR CORNER, L.H.	80 - 46
3F19	SEAT, AIR SUSPENSION KITS	90 - 52	3H23	SHELL, FEEDER HOUSE-CONTOUR MASTER	110 - 20
3F21	SEAT, AIR SUSPENSION KITS	90 - 54	3B13	SHELL, SEALS, RADIATOR	80 - 8
1G7	SEAT, AIR, WIRING HARNESS	40 - 18	3D7	SHIELD ASSEMBLY, FRONT, LEFT SIDE	80 - 52
3F7	SEAT, OPERATOR'S SEATBELT	90 - 40	3D9	SHIELD ASSEMBLY, FRONT, RIGHT SIDE	80 - 54
3F8	SEAT, SEATBELT - TRAINING	90 - 41	3D11	SHIELD ASSEMBLY, LEFT SIDE	80 - 56
3F7	SEATBELT, OPERATOR'S SEAT	90 - 40	3D13	SHIELD ASSEMBLY, RIGHT SIDE	80 - 58
3F8	SEATBELT, TRAINING SEAT	90 - 41	3C19	SHIELD, DRIVE, R.H. REAR	80 - 38
4G13	SECONDARY COUNTERSHAFT DRIVE	121 - 48	1C21	SHIELD, EXHAUST VALVE	24 - 18
4G13	SECONDARY COUNTERSHAFT DRIVE PULLEY	121 - 48	1D18	SHIELD, HEAT, EXHAUST MANIFOLD	24 - 40
1J15	SENSOR, BACKSHAFT SPEED, FEEDER HOUSE	40 - 100	3I22	SHIELD, INTAKE	110 - 44
1E14	SENSOR, ENGINE SPEED	24 - 61	3C20	SHIELD, R.H. SERVICE ACCESS	80 - 40
1D22	SENSOR, TEMPERATURE (FIP)	24 - 44	4K3	SHIELD, REAR TAILINGS LEFT SIDE	125 - 54
1H9	SENSOR, UNLOADING AUGER	40 - 46	3C22	SHIELD, SERVICE ACCESS, L.H.	80 - 42
1H13	SENSORS AND BRACKETS, LOW SHAFT SPEED	40 - 50	4K1	SHIELD, TAILINGS UPPER REAR	125 - 52
4F7	SEPARATOR AND PUMP DRIVE, ENGINE GEARCASE	121 - 18	2F17	SHIELD, TRASH, REAR AXLE	60 - 30
4F9	SEPARATOR AND PUMP DRIVE, GEARCASE	121 - 20	4J24	SHIELD, UPPER TAILINGS AUGER DRIVE	125 - 50
4F1	SEPARATOR AND UNLOADING DRIVE GEAR, ENGINE GEARCASE	121 - 12	4I15	SHIELDS AND HANDLES, CHAFF SPREADER (DUAL MOTOR)	125 - 14
4F3	SEPARATOR DRIVE GEAR, UNLOADING DRIVE AND STRAW CHOPPER, ENGINE GEARCASE	121 - 14	3C15	SHIELDS, AUGER DRIVE (R-H SIDE)	80 - 34
3C11	SEPARATOR DRIVE SIDE SHIELDS	80 - 30	4D3	SHIELDS, CLEANING FAN INTAKE	120 - 48
4F5	SEPARATOR DRIVE WET-CLUTCH AND PUMP DRIVE SHAFT, GEARCASE	121 - 16	3H19	SHIELDS, CONTOUR MASTER FEEDER HOUSE	110 - 16
4G19	SEPARATOR FAN DRIVE	121 - 54	2C6	SHIELDS, FINAL DRIVE SHAFT	50 - 25
1I4	SEPARATOR FAN DRIVE ADJUSTING MOTOR	40 - 65	2E3	SHIELDS, MUD	50 - 74
3B9	SEPARATOR FRAME	80 - 4	3D5	SHIELDS, MUD (R.H. SIDE)	80 - 50
5G13	SEPARATOR MODULE SAFETY DECALS	170 - 61	3C17	SHIELDS, MUD AND FAN DRIVE (L.H. SIDE)	80 - 36
4E11	SEPARATOR TINES, MODULE	120 - 82	4E1	SHIELDS, REAR MODULE	120 - 72
4B8	SEPARATOR/FEEDER HOUSE SEAL, STONE TRAP AND DOOR	120 - 2	3C11	SHIELDS, SIDE, SEPARATOR DRIVE	80 - 30
3B7	SEPARATOR, MODULE RAILS	80 - 2	5C3	SHIELDS, UPPER CLEAN GRAIN ELEVATOR	130 - 24
1E21	SEPARATOR, WATER	30 - 4	2B19	SHIFTER CAM, TRANSMISSION AND DIFFERENTIAL	50 - 13
3C22	SERVICE ACCESS SHIELD, L.H.	80 - 42	2B17	SHIFTER FORKS	50 - 11
3C20	SERVICE ACCESS SHIELD, R.H.	80 - 40	1C13	SHIM, LINER	24 - 10
1J1	SERVICE KIT, ELECTRICAL CONNECTORS	40 - 86	1I14	SHOE ADJUSTING LIGHT SWITCH	40 - 75
1J3	SERVICE KIT, ELECTRICAL CONNECTORS	40 - 88	4C19	SHOE GRAIN SUPPLY AUGER CLEANOUT DOOR, HANDLE AND LATCHES	120 - 38
1J8	SERVICE OUTLET, ELECTRICAL	40 - 93	4C20	SHOE GRAIN SUPPLY AUGERS AND HOUSING	120 - 40
2C12	SERVO CYLINDERS, HYDROSTATIC DRIVE PUMP	50 - 32	4C22	SHOE GRAIN SUPPLY AUGERS AND HOUSING	120 - 42
4J10	SHAFT AND TIGHTENER, LOWER TAILINGS AUGER	125 - 34	1J13	SHOE, CLEANING, LAMP INSTALLATION	40 - 98
4E16	SHAFT, COUPLING AND GEARBOX, MODULE	121 - 2	2E21	SHOES, BRAKE	60 - 10
3J5	SHAFT, DRIVE, FRONT, SHEAVE AND MOUNTINGS (FIXED SPEED WITH REVERSER)	110 - 52	1C9	SHORT BLOCK	24 - 6
3H11	SHAFT, FRONT WITH REVERSER (VARIABLE) 9400, 9500 COMBINES	110 - 8	1E7	SHORT BLOCK GASKET KIT	24 - 54
2C9	SHAFT, HYDROSTATIC DRIVE PUMP	50 - 28	4C24	SHROUDS AND FANS, CLEANING	120 - 44
2C24	SHAFT, OUTER COVER, BEARING AND SEALS CAM LOBE MOTOR	50 - 46	4D1	SHROUDS AND FANS, CLEANING	120 - 46
1C23	SHAFT, ROCKER ARM	24 - 20	3F3	SHROUDS, SEAT	90 - 36
2C1	SHAFTS, DIFFERENTIAL	50 - 20	1D22	SHUT-OFF HOUSING SOLENOID (FIP)	24 - 44
2C7	SHAFTS, FINAL DRIVE	50 - 26	3D21	SIDE AND REAR SEALS, CAB	90 - 6
4D23	SHAKER PAN	120 - 68	1I3	SIDE FINDER LIGHTS, L.H. AND R.H.	40 - 64
4H3	SHEAVE AND CHARGE PUMP MOUNTING, REEL/ BELT PICKUP	121 - 62	3C11	SIDE SHIELDS, SEPARATOR DRIVE	80 - 30
4C15	SHEAVE AND GEARCASE, BEATER	120 - 34	4G15	SIEVE AND CHAFFER DRIVE, CONVEYOR AUGERS	121 - 50
5B24	SHEAVE AND GEARCASE, CLEAN GRAIN ELEVATOR	130 - 20	4D19	SIEVE ELEMENT	120 - 64
4G23	SHEAVE LINKAGE, FAN DRIVE SPEED CONTROL	121 - 58	4D21	SIEVE FRAME	120 - 66
			4F23	SINGLE RANGE CYLINDER DRIVE	121 - 34
			2I22	SIX STACK SOLENOID CONTROL VALVE MODULE ASSEMBLY & MOUNTINGS	70 - 58
			2E23	SLAVE CYLINDER, BRAKE	60 - 12
			3I16	SLIP CLUTCH, FEEDER HOUSE	110 - 38

ALPHABETICAL INDEX - CONTINUED

GRID		PAGE	GRID		PAGE
4F21	SLOW SPEED CYLINDER DRIVE	121 - 32	2G7	STEERING TIE RODS, FIXED REAR AXLE GRAIN	60 - 46
1F3	SOLDENOID, ETHERSTART	30 - 10	2G3	STEERING TIE RODS, FIXED REAR AXLE, 4-WHEEL DRIVE - GRAIN	60 - 42
2116	SOLENOID CONTROL VALVE BI-DIRECTIONAL MODULE, REEL LIFT AND CYLINDER SPEED	70 - 52	3B21	STEP AND PLATFORM, ENGINE ACCESS	80 - 16
2J20	SOLENOID CONTROL VALVE BRACKETS.....	70 - 81	3B19	STEP, AIR DUCT, ENGINE COMPARTMENT.....	80 - 14
2119	SOLENOID CONTROL VALVE FOR AUGER SWING....	70 - 55	4B8	STONE TRAP, DOOR AND SEAL, SEPARATOR/ FEEDER HOUSE.....	120 - 2
2120	SOLENOID CONTROL VALVE MODULE ASSEMBLY AND MOUNTINGS	70 - 56	3C7	STOP AND REAR HOOD ACCESS DOOR	80 - 26
2122	SOLENOID CONTROL VALVE MODULE, 6 STACK ASSEMBLY & MOUNTINGS.....	70 - 58	1E15	STRAP, ALTERNATOR ADJUSTING	24 - 62
2114	SOLENOID CONTROL VALVE UNBALANCED LOAD MODULE (HEADER LIFT MODULE)	70 - 50	1C25	STRAPS, ENGINE LIFT.....	24 - 22
2118	SOLENOID CONTROL VALVE UNLOAD MODULE, RELIEF VALVE	70 - 54	5E5	STRAW CHOPPER BELTS.....	170 - 4
2J19	SOLENOID CONTROL VALVE, ENGINE GEARCASE, PRESSURE REGULATOR	70 - 80	4H7	STRAW CHOPPER DECK, SUPPORTS AND FINS	121 - 66
2D12	SOLENOID, CONTROL VALVE	50 - 59	4H5	STRAW CHOPPER DRIVES.....	121 - 64
1D22	SOLENOID, FUEL SHUT-OFF (FIP).....	24 - 44	4H17	STRAW CHOPPER HOUSING AND KNIFEBANK.....	121 - 76
5D23	SOLENOID, MAIN VALVE BLOCK DIAL-A-MATIC HEADER HEIGHT CONTROL.....	160 - 3	4H19	STRAW CHOPPER HOUSING AND KNIFEBANK.....	121 - 78
1D22	SOLENOID, SHUT-OFF HOUSING (FIP).....	24 - 44	4H23	STRAW CHOPPER LOWER DOOR.....	121 - 82
2H22	SOLENOID, VALVE, HEADER HEIGHT CONTROL	70 - 35	4H13	STRAW CHOPPER ROTOR, FINE CUT (PADDLED NARROW (670401-)	121 - 72
3D19	SOUND DEADENING, FOAM AND SEALS, CAB	90 - 4	4H11	STRAW CHOPPER ROTOR, FINE CUT (STRAIGHT NARROW (670401-)	121 - 70
2B16	SPACERS, AXLE	50 - 10	4H21	STRAW CHOPPER UPPER REAR DOOR	121 - 80
1G16	SPEAKERS, ANTENNA AND RADIO	40 - 28	4H15	STRAW CHOPPER, ROTOR AND SHEAVE	121 - 74
4G21	SPEED CONTROL LINKAGE, FAN DRIVE	121 - 56	4H9	STRAW CHOPPER, TRI ROTOR	121 - 68
4G23	SPEED CONTROL, FAN DRIVE SHEAVE LINKAGE	121 - 58	4F3	STRAW CHOPPER, UNLOADING DRIVE AND SEPARATOR DRIVE GEAR, ENGINE GEARCASE ..	121 - 14
1G22	SPEED SENSOR, TRANSMISSION	40 - 34	4I3	STRAW SPREADER	125 - 2
1G24	SPEED SENSOR, TRANSMISSION	40 - 36	4I11	STRAW SPREADER DOOR	125 - 10
4B22	SPIKE TOOTH CONCAVE	120 - 16	4I5	STRAW SPREADER DRIVES.....	125 - 4
4B24	SPIKE TOOTH INDICATOR	120 - 18	4I9	STRAW SPREADER FRAME AND LOWER CURTAIN..	125 - 8
4B18	SPIKE TOOTH THRESHING CYLINDER	120 - 12	4C7	STRIPPER BEATER	120 - 26
4B20	SPIKE-TOOTH CONCAVE	120 - 14	4C5	STRIPPER BEATER DRIVE IDLER	120 - 24
2F24	SPINDLE HOUSING, REAR AXLE	60 - 38	1J7	SUPPLEMENTARY TERMINALS AND CONNECTORS	40 - 92
2F25	SPINDLE HOUSING, REAR AXLE GRAIN	60 - 39	5C13	SUPPORT AND ANGLES, GRAIN TANK EXTENSION S.....	130 - 34
2G1	SPINDLES, REAR AXLE	60 - 40	3E5	SUPPORT AND FRAME, CAB	90 - 14
4I7	SPREADER CURTAIN, UPPER	125 - 6	2E24	SUPPORT BRACKET, BRAKE CABLE	60 - 13
4I9	SPREADER FRAME, STRAW AND LOWER CURTAIN	125 - 8	1E13	SUPPORT, AIR CONDITIONER COMPRESSOR	24 - 60
2G20	SPREADER MOTOR, CHAFF (EATON).....	70 - 8	1E15	SUPPORT, ALTERNATOR	24 - 62
4I3	SPREADER, STRAW.....	125 - 2	1I17	SUPPORT, ELECTRONIC CONTROL UNIT MOUNTING (SN -XXXXXX).....	40 - 78
5E5	SPREADER, STRAW, BELTS.....	170 - 4	4J17	SUPPORT, LOWER TROUGH AND TAILINGS DRIVE BRACKET	125 - 41
5B15	SPROCKET, SHEAVE AND SHAFT, UPPER CLEAN GRAIN ELEVATOR	130 - 10	4I19	SUPPORT, MOUNTING, CHAFF SPREADER.....	125 - 18
4J16	SPROCKETS, BEARINGS AND CHAIN, TAILINGS ELEVATOR CONVEYOR	125 - 40	2F23	SUPPORT, REAR AXLE	60 - 36
1E11	STARTER	24 - 58	3C5	SUPPORTS AND MOUNTING TRACKS, MODULE	80 - 24
1C18	STARTER GEAR	24 - 15	3E7	SUPPORTS AND ROOF, CAB	90 - 16
1E11	STARTER SWITCH	24 - 58	4F19	SUPPORTS AND VARIABLE SHEAVE, PRIMARY COUNTERSHAFT	121 - 30
1E11	STARTER WIRING HARNES	24 - 58	1E19	SUPPORTS, FUEL TANK	30 - 2
1F3	STARTING AID, COLD WEATHER.....	30 - 10	3I18	SUPPORTS, UPPER COUNTERSHAFT, FEEDER HOUSE, VARIABLE DRIVE	110 - 40
1D19	STARTING FITTINGS, ETHER	24 - 41	2C12	SWASHPLATE, HYDROSTATIC DRIVE PUMP	50 - 32
2D9	STEERING ARM	50 - 56	5C23	SWITCH AND HUB SUPPORT, HORIZONTAL UNLOADING AUGER	130 - 44
2F9	STEERING COLUMN (LOWER)	60 - 22	1G9	SWITCH, AIR CONDITIONER.....	40 - 20
2F7	STEERING COLUMN (UPPER)	60 - 20	1F17	SWITCH, AUX FIELD LIGHTS, OPTIONAL	40 - 4
3G6	STEERING COLUMN (UPPER)	90 - 64	1G9	SWITCH, HEATER.....	40 - 20
1G5	STEERING COLUMN WIRING HARNESS.....	40 - 16	5C24	SWITCH, HORIZONTAL UNLOADING AUGER	130 - 45
3G8	STEERING COLUMN, LOWER.....	90 - 66	2B8	SWITCH, HYDROSTATIC DRIVE LEVER AND CABL E	50 - 2
2F19	STEERING CYLINDER	60 - 32	1H21	SWITCH, INLET AIR TEMPERATURE	40 - 58
2F20	STEERING CYLINDER KIT.....	60 - 33	1I14	SWITCH, LIGHT, SHOE ADJUSTING	40 - 75
2F3	STEERING HOSES AND LINES, FRONT	60 - 16	1H23	SWITCH, LIMIT, GRAIN TANK	40 - 60
2F5	STEERING HOSES, UPPER.....	60 - 18	1H1	SWITCH, PARK BRAKE	40 - 38
2F11	STEERING LINES AND HOSES, REAR	60 - 24	1E11	SWITCH, STARTER.....	24 - 58
2F13	STEERING LINES, L.H.....	60 - 26			
2F15	STEERING LINES, R.H. SIDE	60 - 28			
2F1	STEERING PUMP	60 - 14			
2G5	STEERING TIE RODS, ADJUSTABLE REAR AXLE	60 - 44			

ALPHABETICAL INDEX - CONTINUED

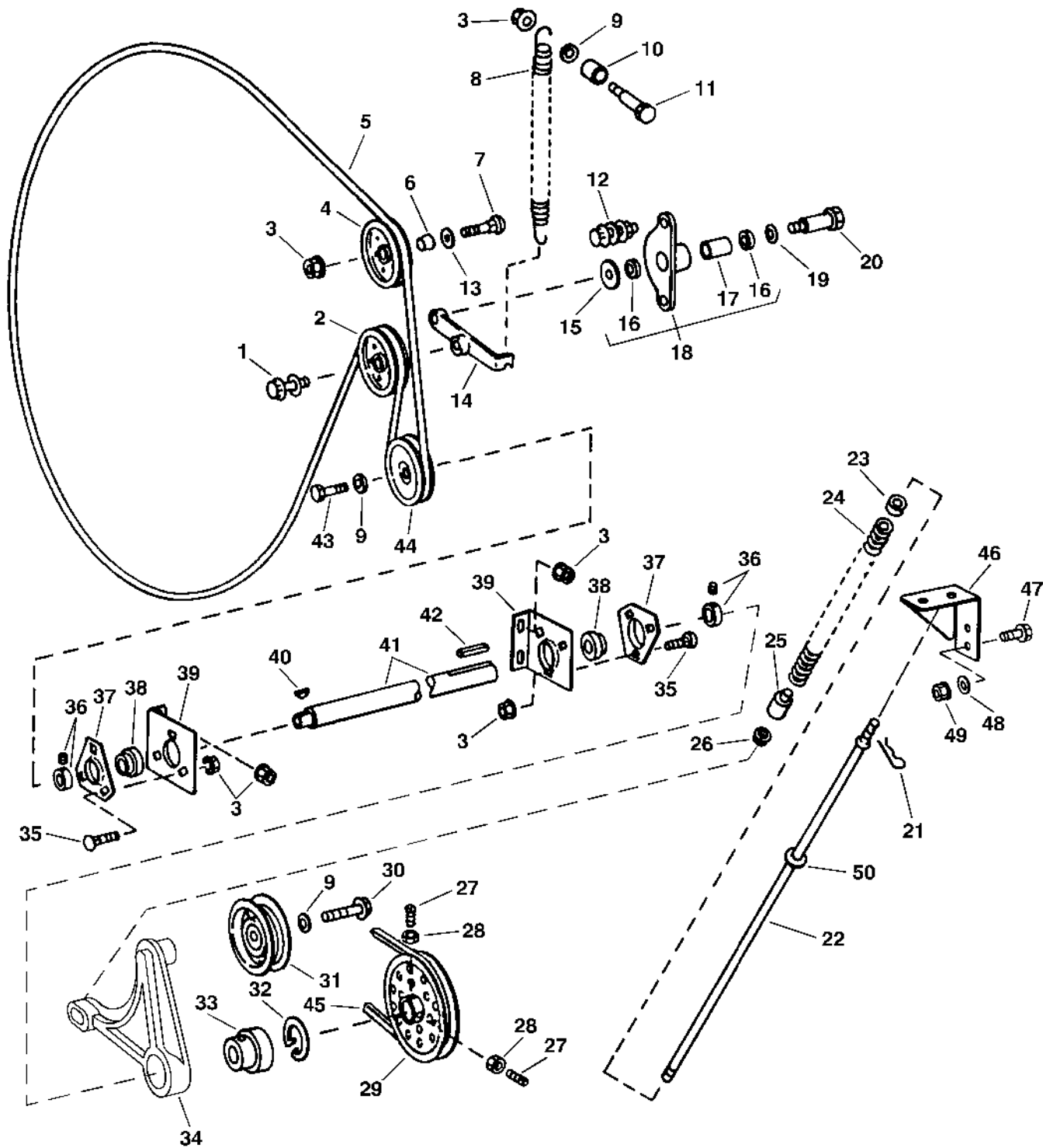
<i>GRID</i>		<i>PAGE</i>	<i>GRID</i>	<i>PAGE</i>
1H9	WIRING HARNESS, UNLOADING AUGER	40 - 46		
1G22	WIRING HARNESS,L H MAIN, L H FRONT	40 - 34		
1G24	WIRING HARNESS,L H MAIN, L H FRONT	40 - 36		
2G24	WITH OUT DUST SUPPRESSION, OIL COOLER LU BE PUMP.....	70 - 12		
Y				
2D7	YOKE, PIVOTS AND CAPS	50 - 54		

MEMORANDA

1B6

ENGINE FAN, INTERCOOLER AND SCREENS

ROTARY SCREEN DRIVE
HP6791 -UN-05SEP97



HP6791

1B7

ENGINE FAN, INTERCOOLER AND SCREENS

ROTARY SCREEN DRIVE - CONTINUED

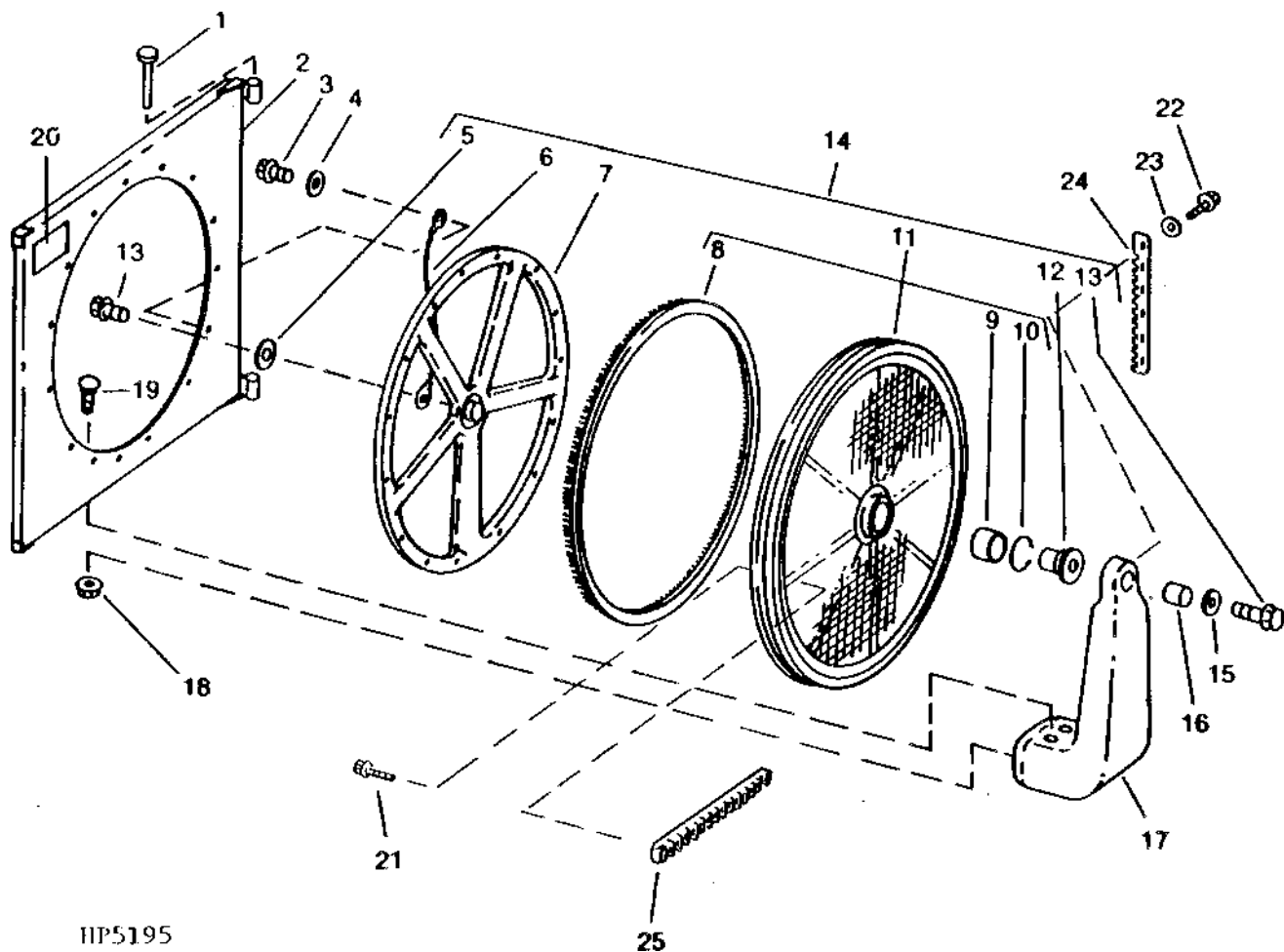
KEY	PART NO.	PART NAME	QTY	SERIAL NO.	REMARKS
1	19M7867	SCREW	1	M8 X 25	
	24M7207	WASHER	1	8.400 X 24 X 2 MM	
2	AH140119	SHEAVE	1		
3	14M7298	FLANGE NUT	10	M8	
4	AH135035	SHEAVE	1		
5	H145158	BELT	1		
6	SPACER	1		
7	03M7224	BOLT	1	M8 X 65	
8	H146577	EXTENSION SPRING	1		
9	24M7207	WASHER	3	8.400 X 24 X 2 MM	
10	28H1720	BUSHING	1		
11	H140715	BOLT	1		
12	19M7867	SCREW	2	M8 X 25	
	24H1296	WASHER	2	11/32" X 1-3/8" X 0.134"	
	14M7298	FLANGE NUT	2	M8	
13	24H1850	WASHER	1	17/32" X 1-1/4" X 0.180"	
14	H146064	PITMAN ARM	1		
15	24H1342	WASHER	1	17/32" X 1-1/4" X 0.036"	
16	AH10888	SEAL	2		
17	R36119	BUSHING	1		
18	AH140170	SUPPORT	1		
19	24H1341	WASHER	1	17/32" X 15/16" X 0.060"	
20	M111701	BOLT	1	M8 X 51	
21	J16931	SPRING LOCKING PIN	1		
22	H131949	ROD	1		
23	H123918	SPACER	1		
24	H131948	SPRING	1		
25	H134214	GUIDE	1		
26	14M7296	FLANGE NUT	1	M10	
27	A50744	BOLT	2	M8 X 25	
28	14M7273	NUT	2	M8	
29	AH115639	SHEAVE	1		
30	19M7868	SCREW	1	M8 X 30	
31	AH140497	SHEAVE	1		
32	R55408	WEAR RING	1		
33	AH140495	BALL BEARING	1		
34	H160464	ARM	1		
35	19M7865	SCREW	6	M8 X 16	
36	AZ10044	ECCENTRIC LOCKING COLLAR	2		
37	H103264	PRESSED FLANGED HOUSING	2		
38	JD39102	BALL BEARING	2		
39	H123652	PRESSED FLANGED HOUSING	2		
40	26M7002	SHAFT KEY	1	WOODRUFF	
41	H134528	COUNTERSHAFT	1		
42	49M4100	SHAFT KEY	1	6 X 25 MM	
43	19M7866	SCREW	1	M8 X 20	
44	H118719	HALF SHEAVE	2		
45	H160406	BELT	1		
46	H162138	BRACKET	1		
47	19M7865	SCREW	2	M8 X 16	
48	24M7207	WASHER	2	8.400 X 24 X 2 MM	
49	14M7298	FLANGE NUT	2	M8	
50	H158845	WASHER	1		

1B8

ENGINE FAN, INTERCOOLER AND SCREENS

ROTARY SCREEN DOOR AND SCREEN

HP5195 -UN-01JAN94



HP5195

25

1B9

ENGINE FAN, INTERCOOLER AND SCREENS

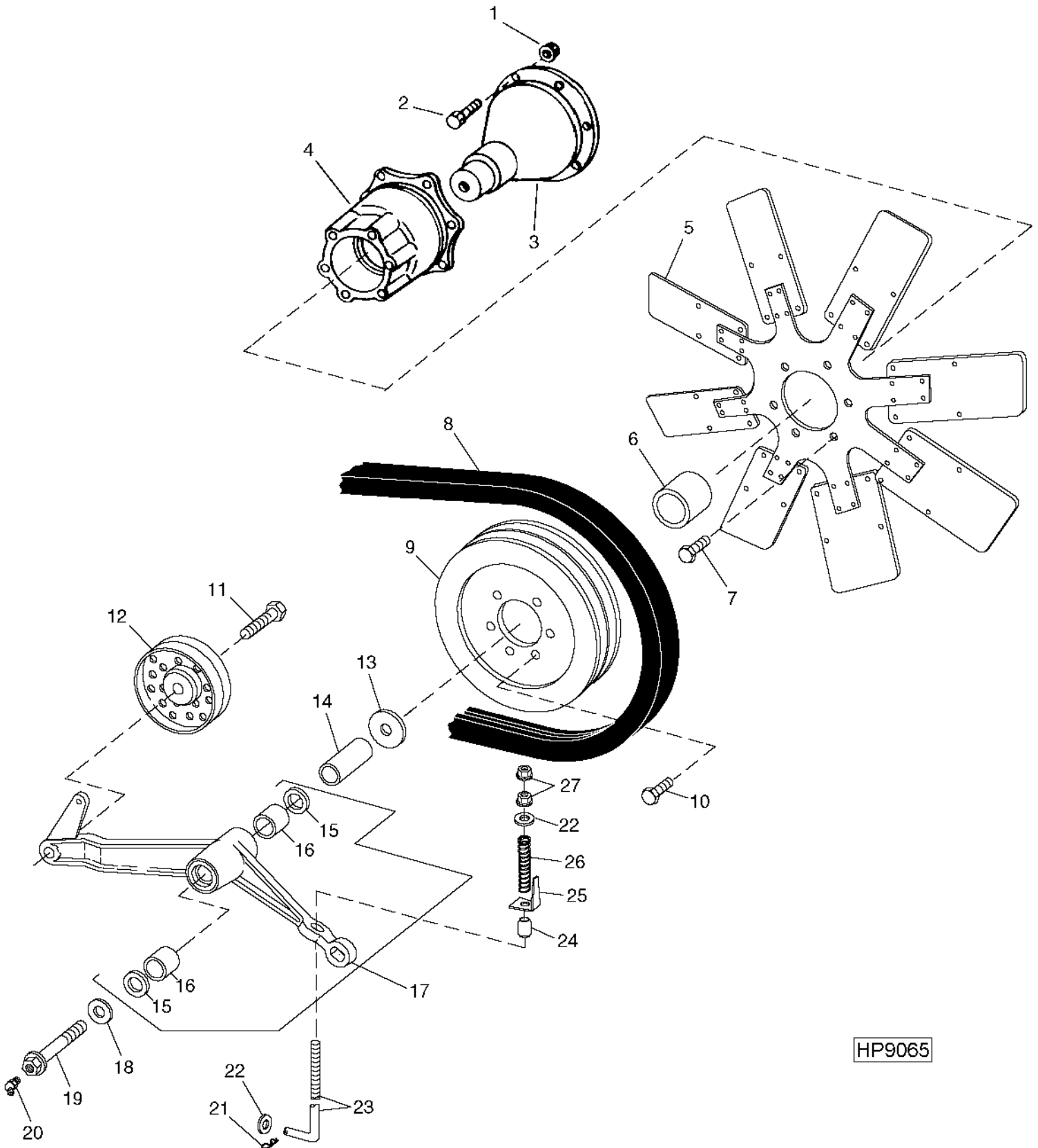
ROTARY SCREEN DOOR AND SCREEN - CONTINUED

KEY	PART NO.	PART NAME	QTY	SERIAL NO.	REMARKS
1	H114818	PIN	2		
2	AH140118	SHEET	1		
3	19M7865	SCREW	15		M8 X 16
4	12M7122	LOCK WASHER	1		8.400 MM
5	24M7207	WASHER	1		8.400 X 24 X 2 MM
6	AH138257	WIRING LEAD	1		
7	AH134642	HUB	1		
8	AH141849	BRUSH	1		
9	AH109788	ROLLER BEARING	1		
10	H83285	SNAP RING	1		
11	AH141671	SCREEN	1		
12	H140380	HUB	1		
13	19M8162	CAP SCREW	2		M10 X 40
14	AH141672	SCREEN	1		
15	24M7180	WASHER	1		13 X 37 X 3 MM
16	28H1720	BUSHING	1		0.423" X 0.675" X 27/32"
17	AH141808	AIR DUCT	1		
18	14M7298	FLANGE NUT	2		M8
19	03M7183	BOLT	2		M8 X 16
20	H144692	LABEL	1		
21	37H143	SCREW	16		
22	19M7774	SCREW	6		M6 X 12
23	24M7207	WASHER	6		8.400 X 24 X 2 MM
24	H148416	KNIFE	1		
25	AH142527	RAKE	1		

1B10

ENGINE FAN, INTERCOOLER AND SCREENS

ENGINE FAN AND DRIVES
HP9065 -UN-20SEP99



HP9065

1B11

ENGINE FAN, INTERCOOLER AND SCREENS

ENGINE FAN AND DRIVES -CONTINUED

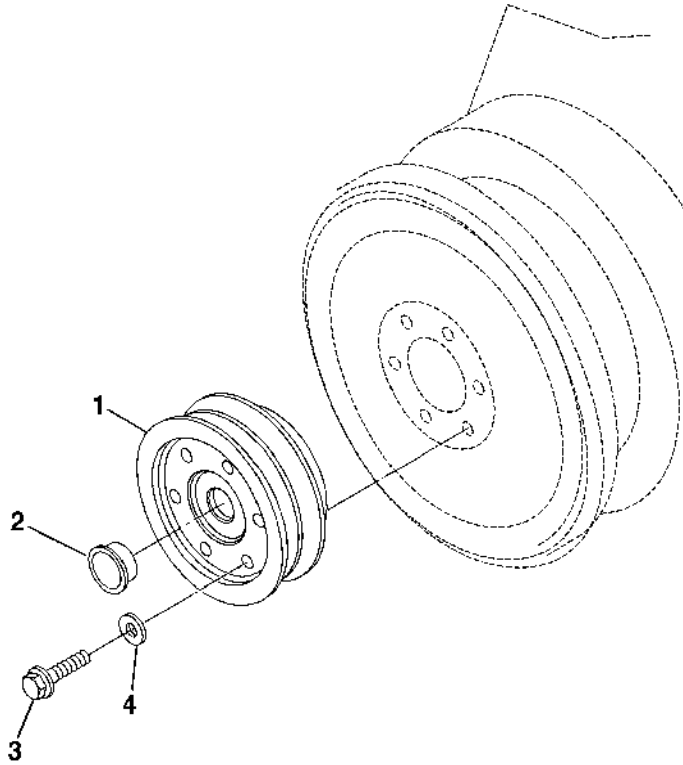
KEY	PART NO.	PART NAME	QTY	SERIAL NO.	REMARKS
1	14M7400	LOCK NUT	4	M10	
2	19M7786	SCREW	4	M10 X 30	
3	H134144	SUPPORT	1		
4	H134143	HUB	1		
5	AH125673	SUCTION FAN	1		
6	AH120815	ROLLER BEARING	1		
7	19M7866	SCREW	6	M8 X 20	
8	H161795	BELT	1	16.669 X 1 265 MM, LOW POWER	
	H160405	BELT	1	16.669 X 1 286 MM, HIGH POWER	
9	H160368	SHEAVE	1	159.200 MM	
10	19M7868	SCREW	6	M8 X 30	
11	19M8306	SCREW	1	M12 X 50 M12 X 50	
12	AH155122	IDLER	1		
13	H125466	WASHER	1	13.500 X 48 X 8 MM	
14	H125467	BUSHING	1	13 X 25.310 X 90 MM	
15	AA5607R	SEAL	2		
16	H99147	BUSHING	2	(SUB H171061)	
	H171061	BEARING	2		
17	AH155079	ARM	1		
18	24M7180	WASHER	1	13 X 37 X 3 MM	
19	H140848	SET SCREW	1	M12 X 120	
20	JD7788	LUBRICATION FITTING	1	45° X 20.574 MM LONG	
21	J16931	SPRING LOCKING PIN	1		
22	24M7178	WASHER	2	10.500 X 30 X 2.500 MM	
23	H164612	BOLT	1		
24	H134214	GUIDE	1		
25	H162004	GAUGE	1		
26	H93399	SPRING	1		
27	14M7296	FLANGE NUT	2	M10	

1B12

ENGINE FAN, INTERCOOLER AND SCREENS

ENGINE DRIVE

HP6789 -UN-18AUG97



HP6789

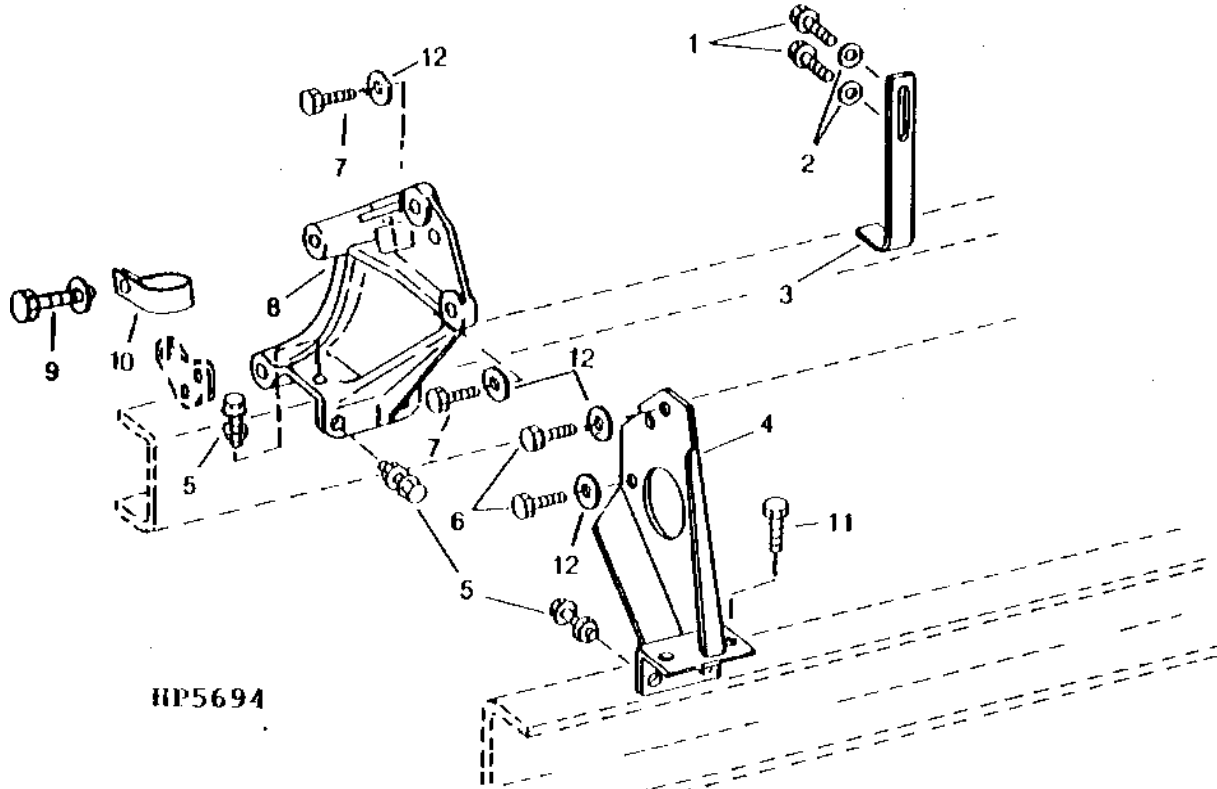
KEY	PART NO.	PART NAME	QTY	SERIAL NO.	REMARKS
1	H160367	SHEAVE	1		
2	B2984R	PLUG	1		
3	19H3175	CAP SCREW	6	3/8" X 3-5/8"	
4	24M7239	WASHER	6	10.700 X 21 X 2.500 MM	

1B13

ENGINE FAN, INTERCOOLER AND SCREENS

ENGINE MOUNTS AND REAR SUPPORT

HP5694 -UN-01JAN94



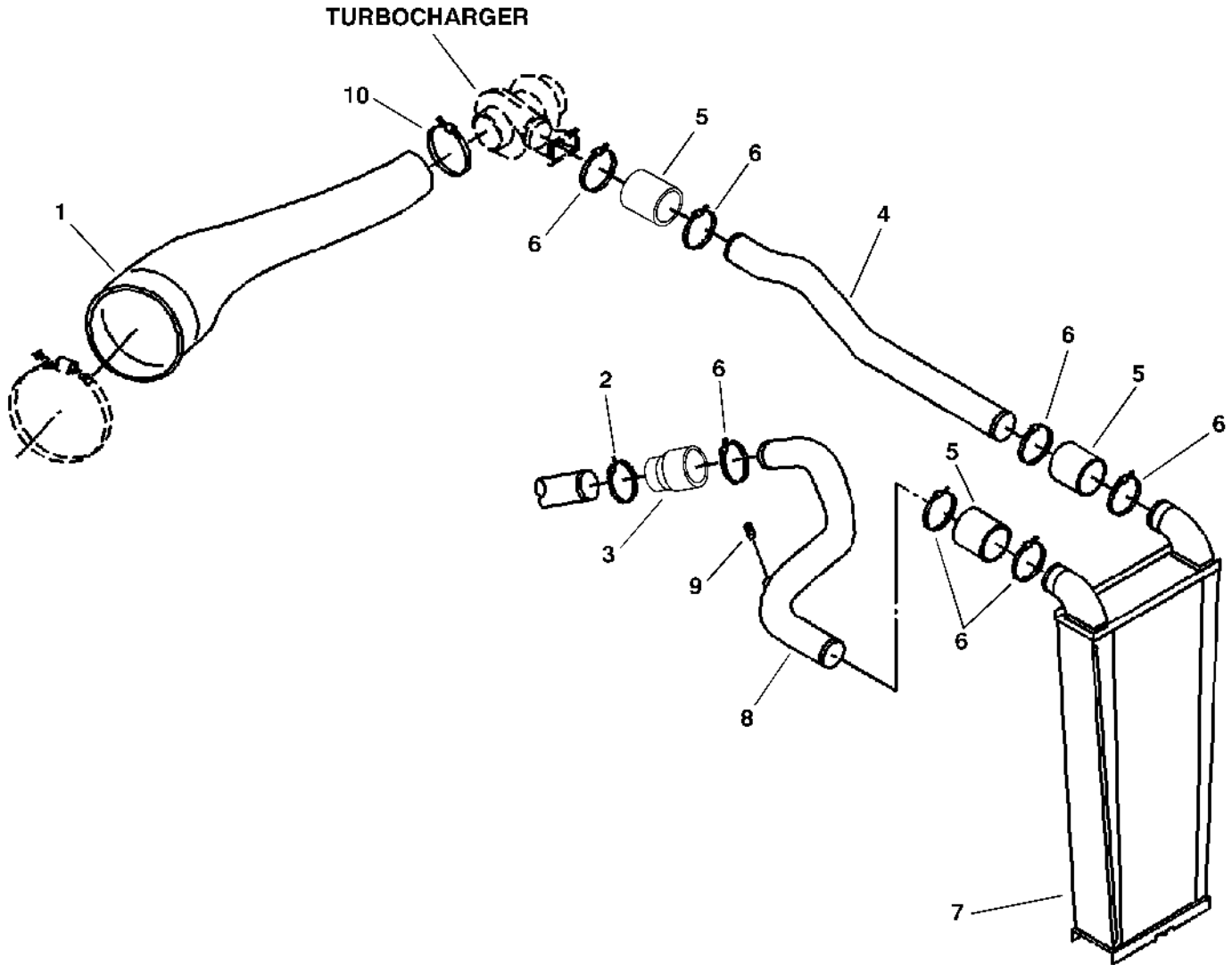
HP5694

KEY	PART NO.	PART NAME	QTY	SERIAL NO.	REMARKS
1	19H1708	CAP SCREW	2		5/8" X 1-3/4"
2	24M7051	WASHER	2		21 X 37 X 3 MM
	24H1373	WASHER	2		21/32" X 1-9/16" X 0.180"
3	H134856	BRACKET	1		
4	AH148106	SUPPORT	1		
5	19M7786	SCREW	8		M10 X 30
	14M7296	FLANGE NUT	8		M10
6	19H1792	CAP SCREW	2		12.700 X 25.400 MM (1/2" X 1")
7	19H1815	CAP SCREW	2		1/2" X 1-1/4"
8	H143761	SUPPORT	1		R H FOR 260 HP RICE STANDARD
	H147115	SUPPORT	1		
9	19M8007	CAP SCREW	1		M10 X 25
	24M7178	WASHER	1		10.500 X 30 X 2.500 MM
10	H143757	HOSE CLAMP	1		
11	19H1782	CAP SCREW	1		3/4" X 2-1/4"
12	12H301	LOCK WASHER	1		12.700 MM

1B14

ENGINE FAN, INTERCOOLER AND SCREENS

INTERCOOLER AND HOSES
HP7256 -UN-03NOV97



HP7256

1B15

ENGINE FAN, INTERCOOLER AND SCREENS

INTERCOOLER AND HOSES - CONTINUED

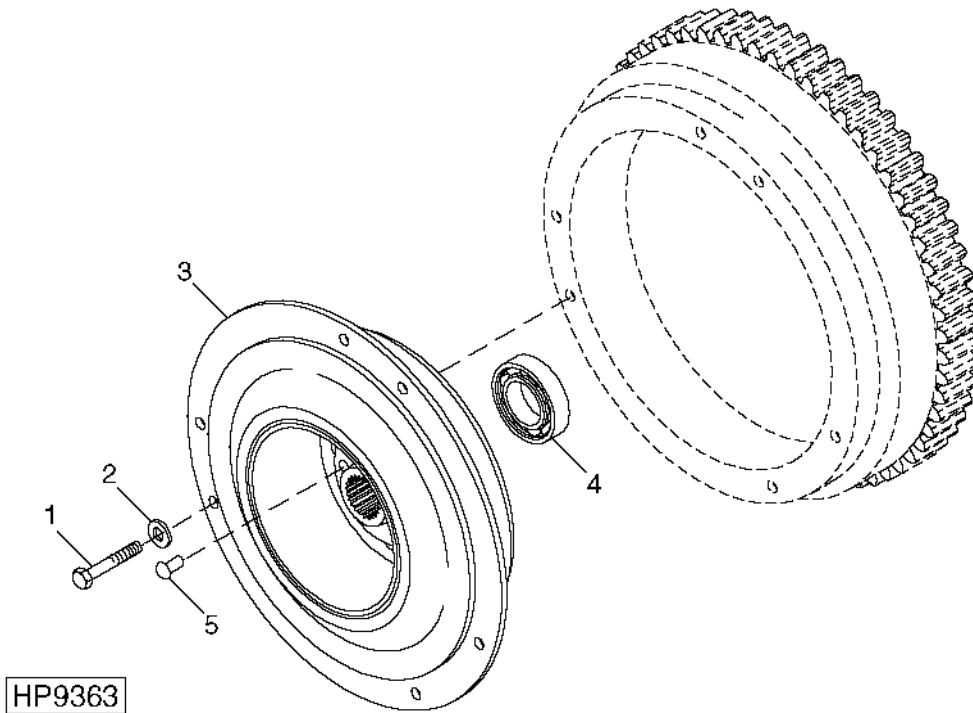
KEY	PART NO.	PART NAME	QTY	SERIAL NO.	REMARKS
1	AH153659	TUBE	1		
2	AT39141	HOSE CLAMP	1		
3	H152403	HOSE	1		
4	H161576	LINE	1		
5	H154825	HOSE	3		(SUB H168359) (USE WITH AT37476 (CLAMP))
	H168359	HOSE	3		(USE WITH AT37476 (CLAMP) OR RE52702 (CLAMP))
6	AT37476	HOSE CLAMP	7		
	RE52702	CLAMP	7		
7	AH149229	AFTERCOOLER	1		
8	AH154992	LINE	1		
9	15H624	PIPE PLUG	1	1/2"	
10	AT112176	HOSE CLAMP	1		

1B16

ENGINE FAN, INTERCOOLER AND SCREENS

ENGINE GEARCASE COUPLING WITH HUB

HP9363 -UN-02DEC99



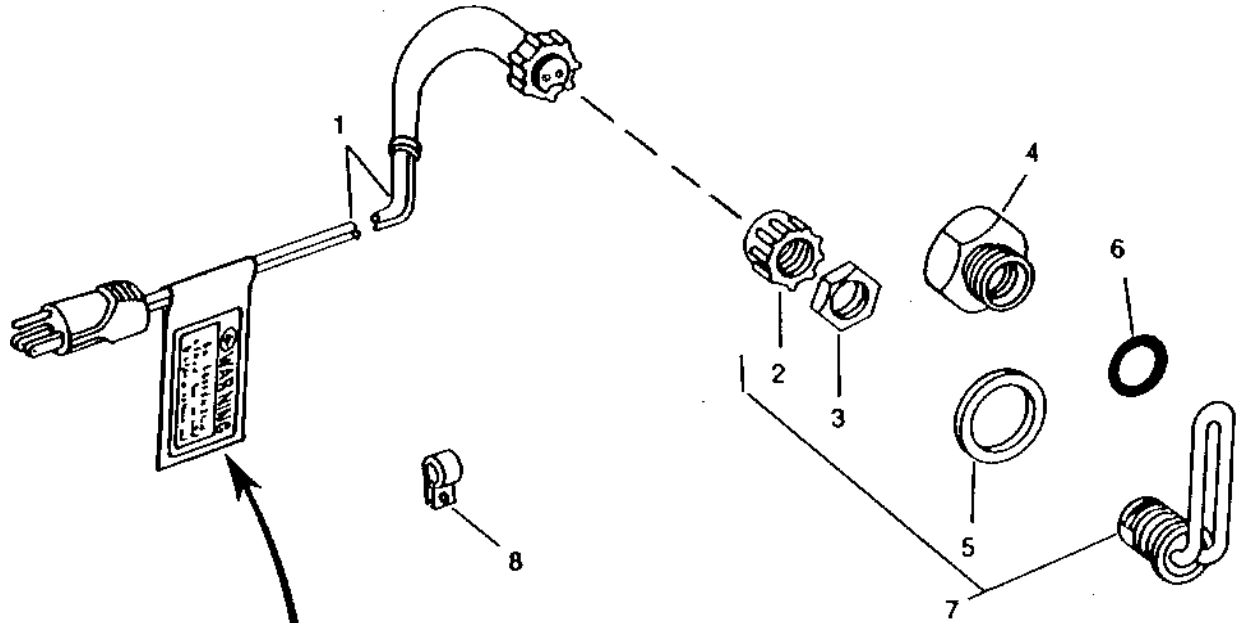
KEY	PART NO.	PART NAME	QTY	SERIAL NO.	REMARKS
1	R57725	SCREW	6		9.525 X 25.400 MM
2	R42729	WASHER	6		10.312 X 20.980 X 2.286 MM
3	AH117782	COUPLING	1		INCLUDES (6) 16H1559 RIVETS
4	AR48751	BALL BEARING	1	-675729	
	AH158296	BEARING	1	675730-	
5	16H1559	RIVET	6		7/16" X 1-1/4"

MEMORANDA

1B17

ENGINE FAN, INTERCOOLER AND SCREENS

ENGINE BLOCK COOLANT HEATER AND EXTENSION CORD
HP5231 -UN-01JAN94



⚡ WARNING

To prevent shock,
always use a grounded
3-wire extension cord

HP5231

1B18

ENGINE FAN, INTERCOOLER AND SCREENS

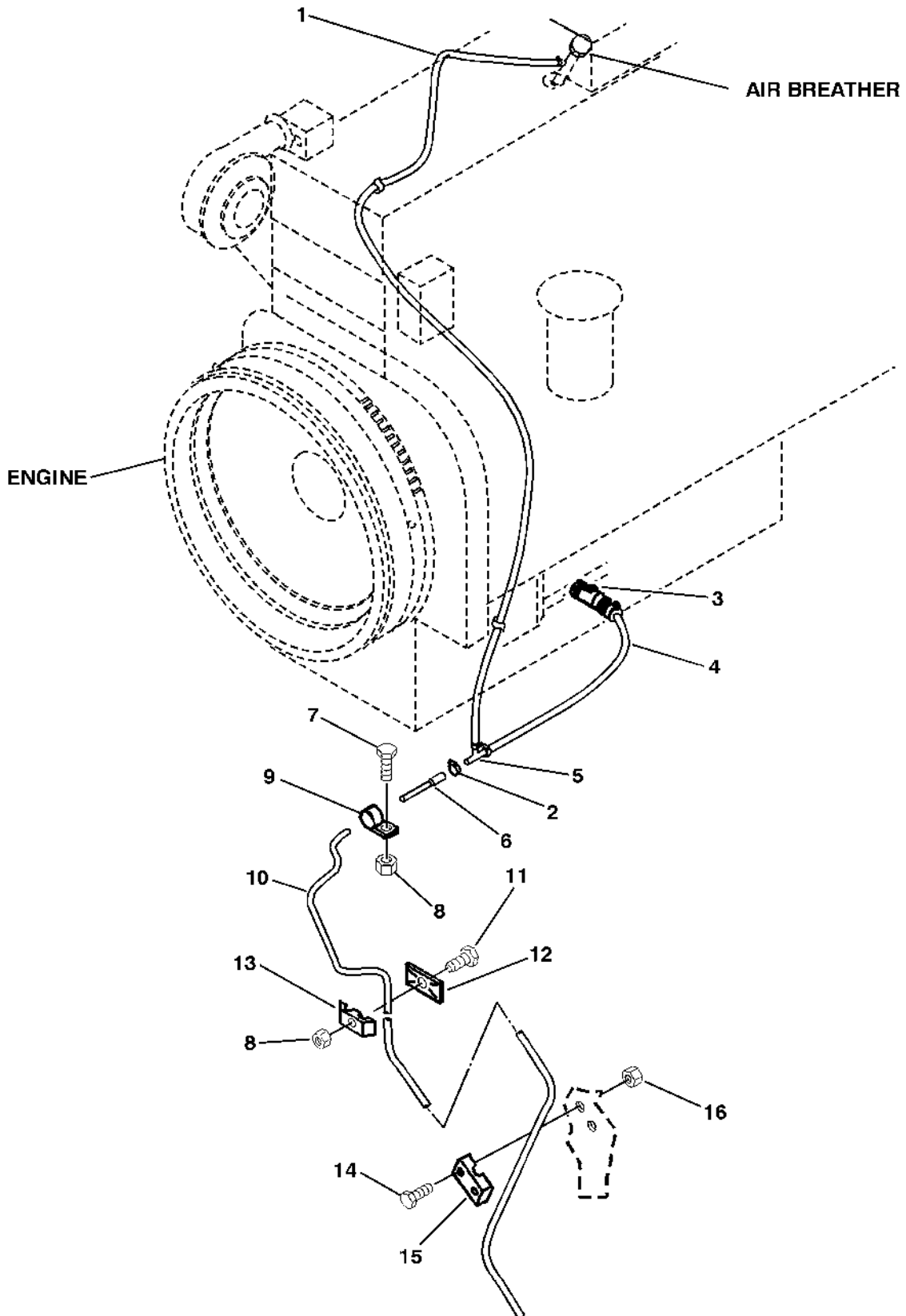
ENGINE BLOCK COOLANT HEATER AND EXTENSION CORD - CONTINUED

KEY	PART NO.	PART NAME	QTY	SERIAL NO.	REMARKS
1	AR50411	WIRING LEAD	1	12'	
2	R54510	CAP	1	(SUB RE504122)	
3	R54511	NUT	1	(SUB RE504122)	
4	R54123	ADAPTER	1		
5	R47693	GASKET	1		
6	U13639	O-RING	1		
7	RE504122	COOLANT HEATER	1	(SUB FOR AR62399)	STANDARD WITH ENGINE
8	H75541	CLAMP	1		

1B19

ENGINE FAN, INTERCOOLER AND SCREENS

ENGINE CRANKCASE OIL DRAIN
HP6783 -UN-12SEP97



HP6783

1B20

ENGINE FAN, INTERCOOLER AND SCREENS

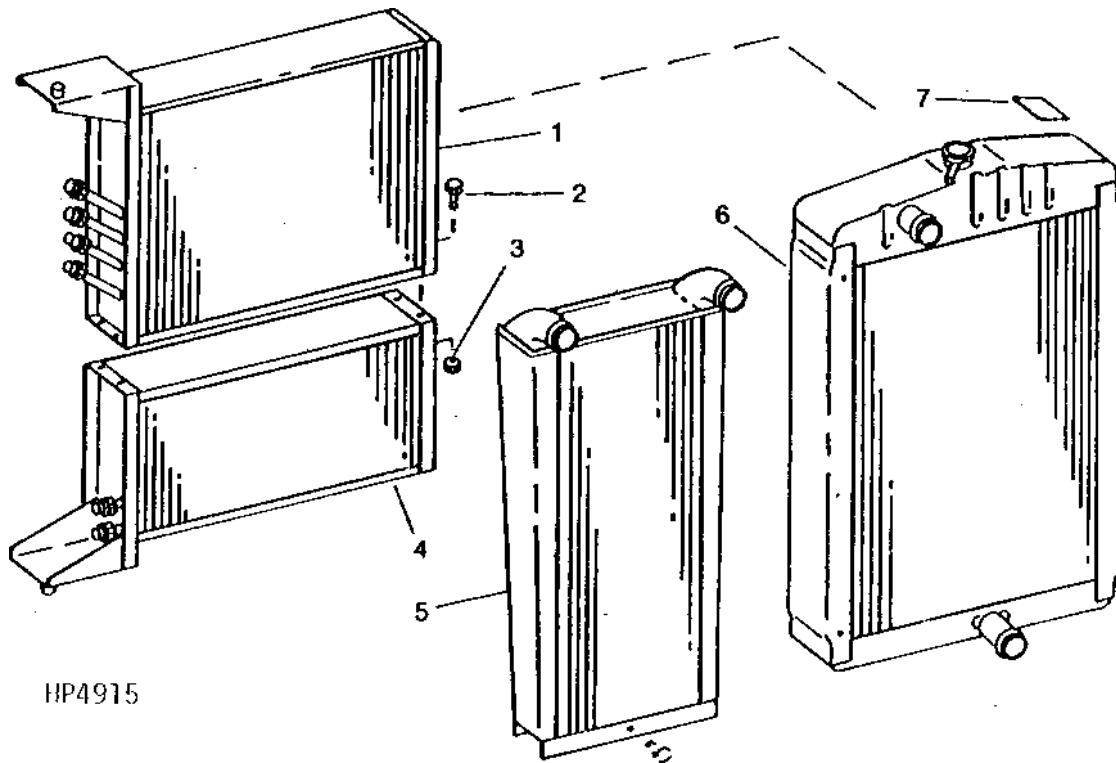
ENGINE CRANKCASE OIL DRAIN - CONTINUED

KEY	PART NO.	PART NAME	QTY	SERIAL NO.	REMARKS
1	H152868	HOSE	1		
2	TY22467	CLAMP	5		
3	A27238	HOSE FITTING	1		
4	TY22424	HOSE	1		
5	A24915	TEE FITTING	1		
6	H160024	HOSE	1		
7	19M7867	SCREW	1	M8 X 25	
8	14M7298	FLANGE NUT	1	M8	
9	T70694	CLAMP	1		
10	H161155	TUBE	1		
11	19M7801	SCREW	1	M8 X 60	
12	H112567	PLATE	2		
13	H114897	CLAMP	2		
14	03M7280	BOLT	2	M6 X 45	
15	H114432	CLAMP	2		
16	14M7303	FLANGE NUT	2	M6	

1B21

ENGINE FAN, INTERCOOLER AND SCREENS

RADIATOR WITH OIL COOLER, A/C CONDENSER AND AIR INTER COOLER
HP4915 -UN-01JAN94



1B22

ENGINE FAN, INTERCOOLER AND SCREENS

RADIATOR WITH OIL COOLER, A/C CONDENSER AND AIR INTER COOLER-CONTINUED

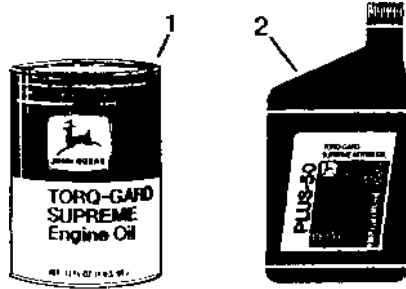
KEY	PART NO.	PART NAME	QTY	SERIAL NO.	REMARKS
1	AH149588	VAPOR CONDENSER	1		(SUB FOR AH145232) SEE SEC 070 FOR OIL COOLER SYSTEM
2	19M7774	SCREW	4		M6 X 12
3	14M7303	FLANGE NUT	4		M6
4	AH149618	VAPOR CONDENSER	1		(SUB FOR AH140471) EVAPORATOR
5	AH149229	AFTERCOOLER	1		(SUB FOR AH140473)
6	AH138940	RADIATOR	1		5 1/2 FPI
	AH144719	RADIATOR	1		4 FPI
7	H169344	DECAL	1		(SUB FOR A2913R) PRESSURE COOLING SYSTEM
	LABEL	1		(KIT AH155618) ITALIAN
..	H88769	ISOLATOR	1		

MEMORANDA

1C5

ENGINE

TORQ-GARD SUPREME AND PLUS-50 ENGINE OIL
RGP3291 -UN-01JAN94



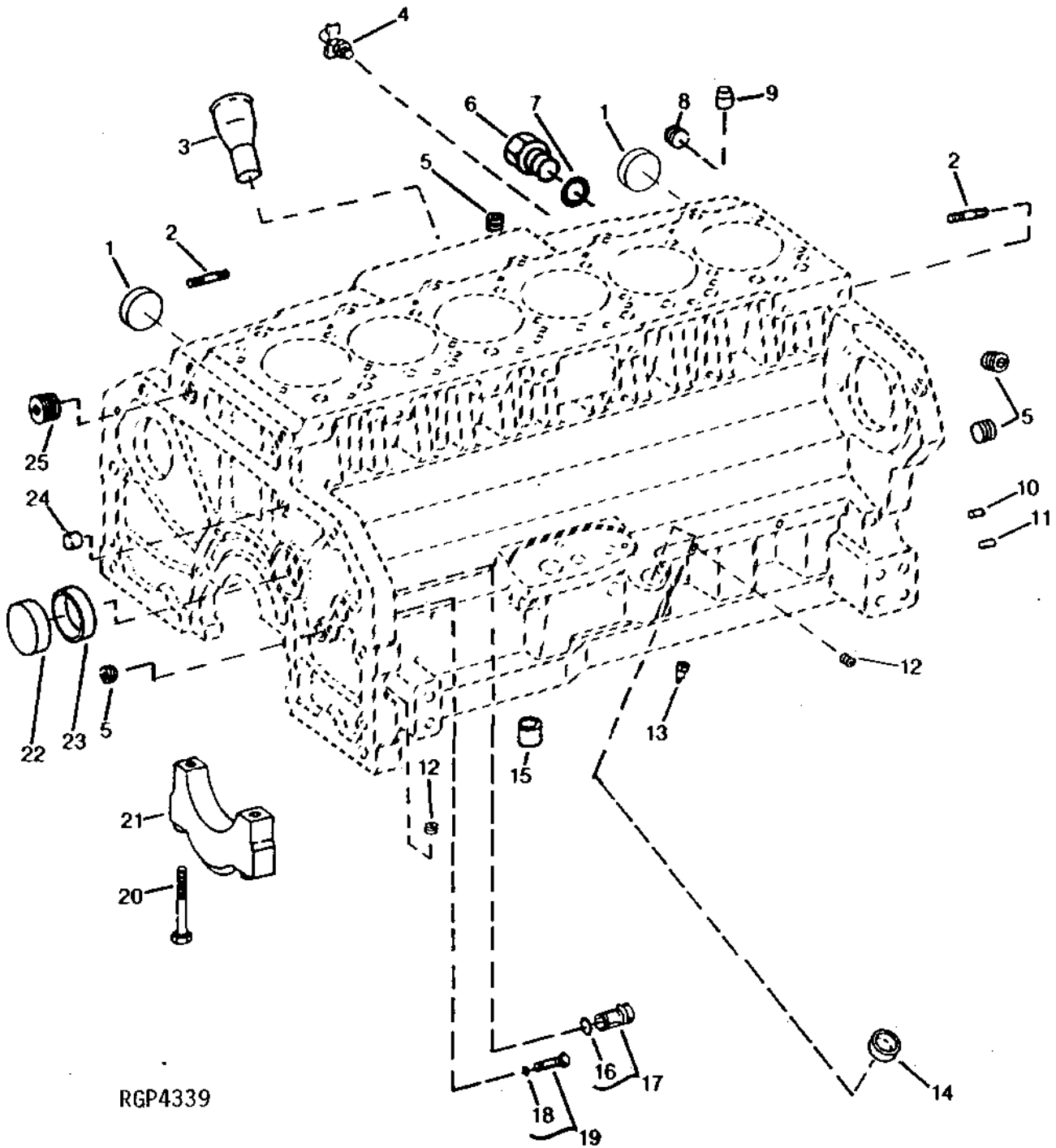
RGP 3291

KEY	PART NO.	PART NAME	QTY	ENGINE SERIAL NO.	REMARKS
1	TY22064	OIL	1	(SAE 5W/30), 0.9L (1 QT)	
	TY22065	OIL	1	(SAE 5W/30), 19L (5 GAL)	
	TY22066	OIL	1	(SAE 5W/30), 208L (55 GAL)	
	TY6364	OIL	1	(SAE 10W/30), 0.9L (1 QT) (BREAKIN)	
	TY22067	OIL	1	(SAE 10W), .9L (1 GAL)	
	TY22068	OIL	1	(SAE 10W), 19L (5 GAL)	
	TY22069	OIL	1	(SAE 10W), 208L (55 GAL)	
	TY22070	OIL	1	(SAE 30W), 0.9L (1 GAL)	
	TY22073	OIL	1	(SAE 30W), 19L (5 GAL)	
	TY6280	OIL	1	(SAE 30W), 114L (30 GAL)	
	TY22074	OIL	1	(SAE 30W), 208L (55 GAL)	
	2 TY6389	OIL	1	(SAE 15W/40), 0.9 L (1 QT)	
	TY22008	OIL	1	(SAE 15W/40), 3.8 L (1 GAL)	
	TY6390	OIL	1	(SAE 15W/40), 19 L (5 GAL)	
	TY22010	OIL	1	(SAE 15W/40), 113.6 L (30 GAL)	
	TY6391	OIL	1	(SAE 15W/40), 208 L (55 GAL)	
	TY6392	OIL	1	(SAE 30W), 0.9 L (1 QT)	
	TY22007	OIL	1	(SAE 30W), 3.8 L (1 GAL)	
	TY6393	OIL	1	(SAE 30W), 19 L (5 GAL)	
	TY22011	OIL	1	(SAE 30W), 113.6 L (30 GAL)	
	TY6394	OIL	1	(SAE 30W), 208 L (55 GAL)	
..	TY22041	OIL	1	(SAE 10W/30), 3.8 L (1 GAL) (BREAKIN)	
..	TY22042	OIL	1	(SAE 10W/30), 208 L (55 GAL) (BREAKIN)	

1C6

ENGINE

CYLINDER BLOCK FITTINGS
RGP4339 -UN-01JAN94



1C7

ENGINE

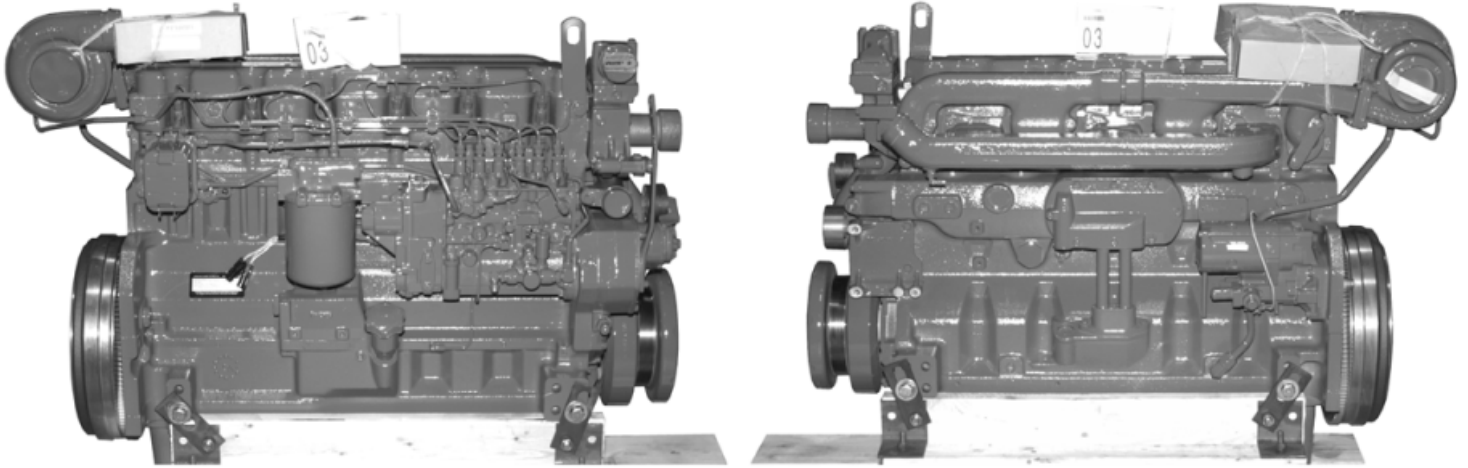
CYLINDER BLOCK FITTINGS - CONTINUED

KEY	PART NO.	PART NAME	QTY	ENGINE SERIAL NO.	REMARKS
1	R43409	CAP	2		
2	R114130	STUD	5		
3	R121765	DIPSTICK TUBE	1		
4	AT13740	DRAIN VALVE	1		
5	R36599	PLUG	3	1/2 "	
6	R39741	DRAIN PLUG	1		
7	U13639	O-RING	1		
8	15H690	PIPE PLUG	1	3/4"	
9	R42340	BUSHING	2		
10	R1612R	DOWEL PIN	2		
11	F1743R	DOWEL PIN	2		
12	R104592	PIPE PLUG	6		
13	R43621	ORIFICE	6		
14	T35390	CAP	1		
15	R500642	BUSHING	2		(SUB FOR R62930, THIS APPLICATION)
16	R27149	O-RING	1		
17	AR61533	PLUG	1		
18	A4365R	O-RING	1		
19	AR61589	PLUG	1		
20	R122364	BOLT	14		
21	R120953	BEARING CAP	6		(MAIN)
	R120954	BEARING CAP	1		(THRUST)
22	R82007	CAP	1		
23	R87561	BUSHING	4		
24	R61288	DOWEL PIN	1		
25	15H562	PIPE PLUG	1	1"	
..	15H686	PIPE PLUG	1	1", (CYLINDER BLOCK REAR COOLANT OPENING)	
..	CYLINDER BLOCK	NA		(NOT AVAILABLE)

1C8

ENGINE

KEY ENGINE SERVICE PARTS
RGP4943 -UN-25JUL97



RGP4943

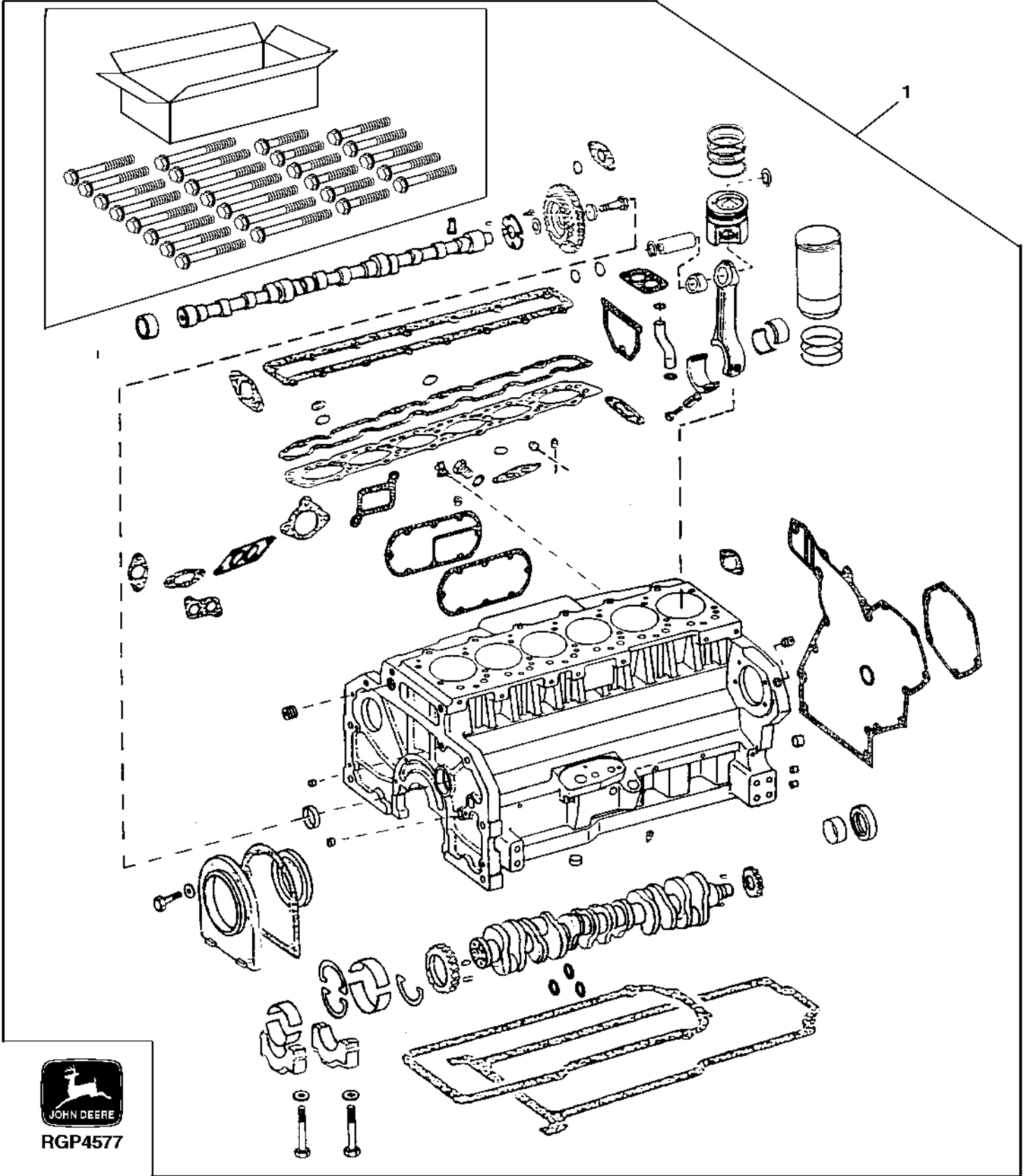
KEY	PART NO.	PART NAME	QTY	ENGINE SERIAL NO.	REMARKS
..	R119384	GASKET	1	(T.G.C.)	
..	RE60622	OIL PUMP	1		
..	RE55475	ENGINE CYLINDER HEAD GASKET	1	(HEAD)	
..	RE57394	OIL FILTER	1		
..	AR86745	FILTER ELEMENT	1		
..	RE22764	SEAL	1	(REAR)	
..	AR49025	SEAL	1	(FRONT)	

MEMORANDA

1C9

ENGINE

ENGINE SHORT BLOCK
RGP4577 -UN-02NOV95



RGP4577

1C10

ENGINE

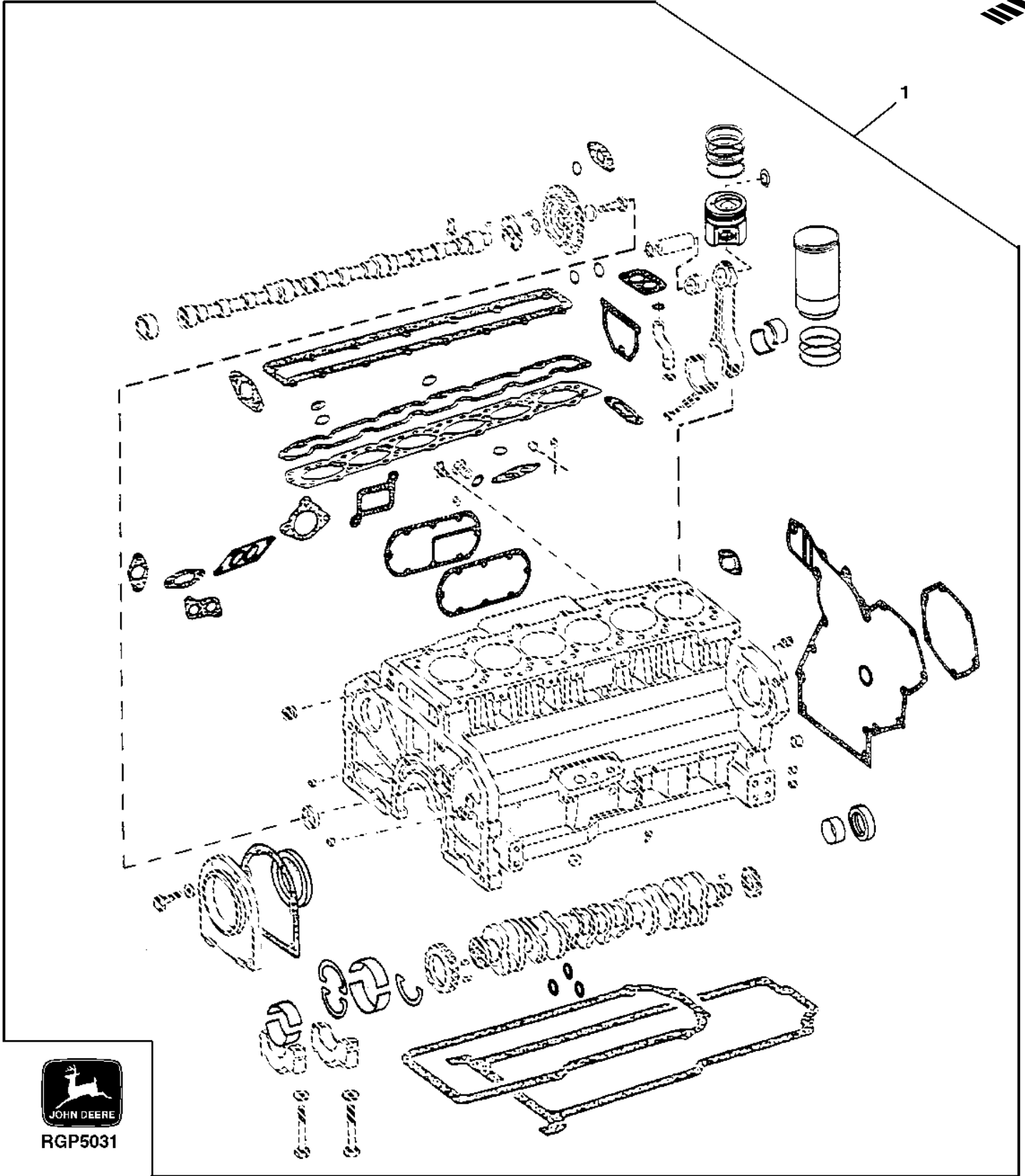
ENGINE SHORT BLOCK - CONTINUED

KEY	PART NO.	PART NAME	QTY	ENGINE SERIAL NO.	REMARKS
1	RE65050	SHORT BLOCK ASSEMBLY	1		(MARKED R115471) (LOW COMPRESSION RE65407 PISTON) (ALSO ORDER R121765) (HH003)

1C11

ENGINE

ENGINE OVERHAUL KIT
RGP5031 -UN-11MAY98



RGP5031

1C12

ENGINE

ENGINE OVERHAUL KIT - CONTINUED

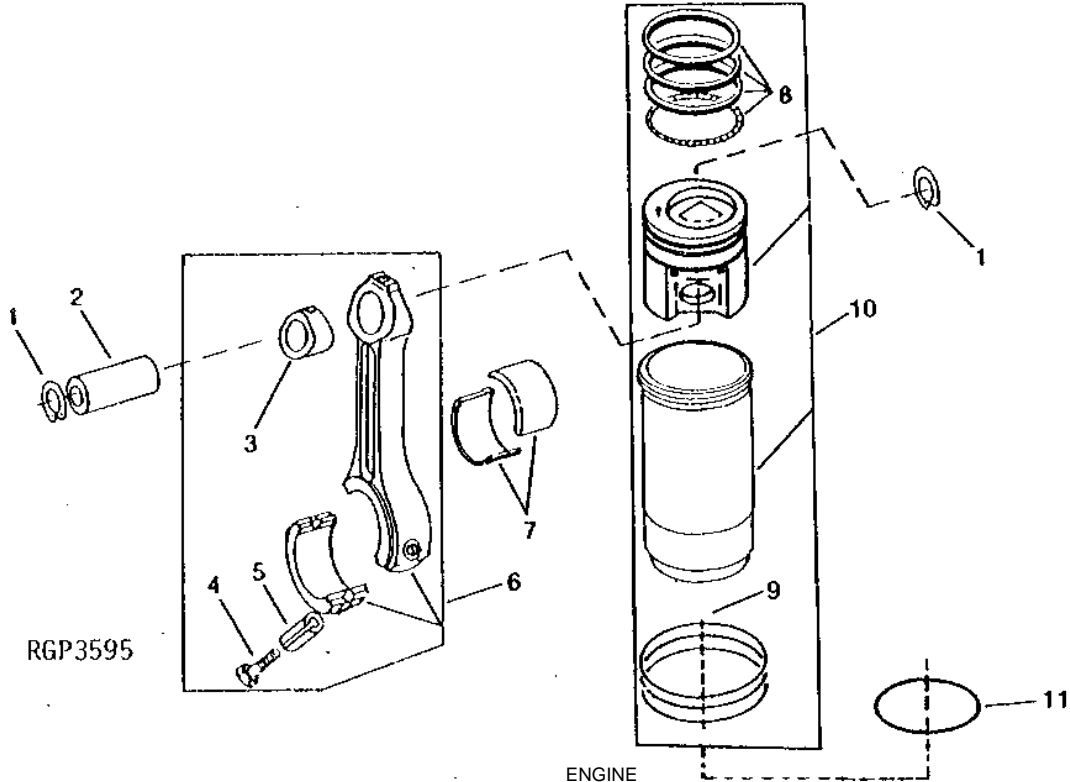
KEY	PART NO.	PART NAME	QTY	ENGINE SERIAL NO.	REMARKS
1	RE64907	ENGINE OVERHAUL KIT	1		(CONTAINS (6) RE62791 PISTON/LINERS, GASKET KIT, STD BEARINGS, FRONT/REAR SEALS, AND SNAP RINGS) (ALSO ORDER R66452 ROD BOLTS) (CONTAINS LOW COMPRESSION PISTONS MARKED RE65407) (6081HH003)

1C13

ENGINE

PISTON/CONNECTING RODS/CYLINDER LINER

RGP3595 -UN-01JAN94

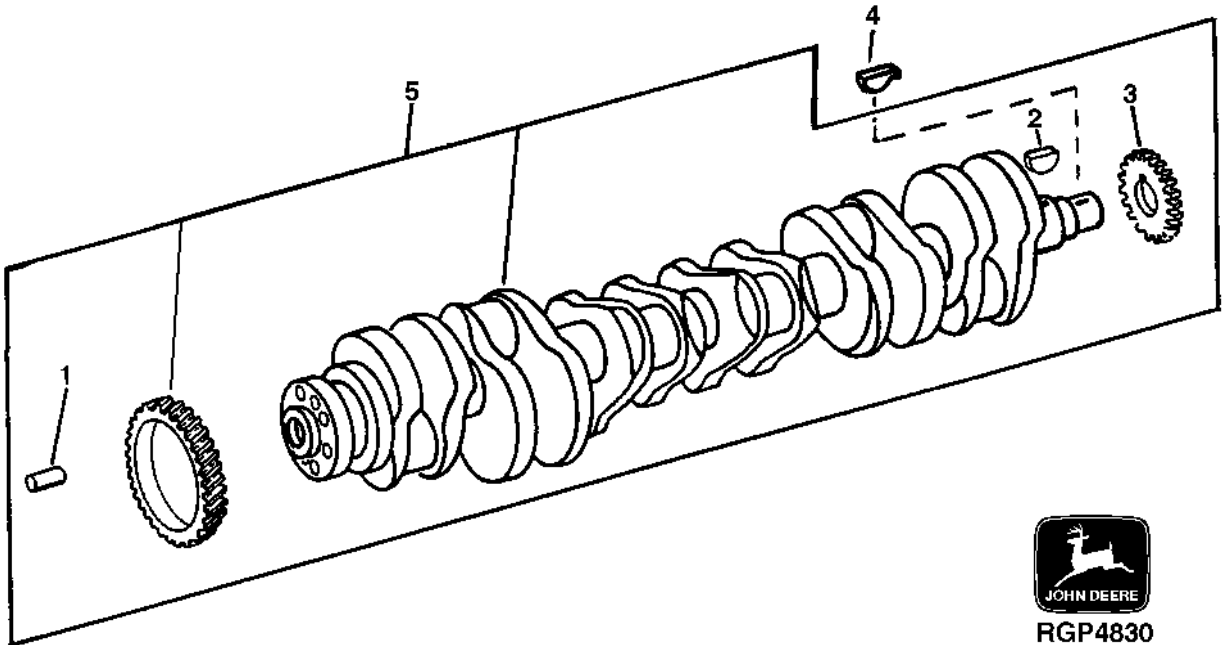


KEY	PART NO.	PART NAME	QTY	ENGINE SERIAL NO.	REMARKS
1	E1343FN	SNAP RING	12		
2	R57771	PISTON PIN	6		
3	R74008	BUSHING	6		
4	R66452	CAP SCREW	12		
5	R53292	SLEEVE	12		
6	RE53154	CONNECTING ROD	6		(MARKED R116340)
7	R116081	BEARING	AR		STD PKG (2)
	RE57167	BEARING	AR		0.292MM (.011") (UNDERSIZE) (PKG OF (2) R121338)
8	RE57188	PISTON RING	6		
9	AR98850	KIT	6		
10	RE62791	KIT	6		(HH003) (LOW COMPRESSION) (MARKED RE65407)
11	R93948	SHIM	2		0.05MM (.002") (MAX.)

1C14

ENGINE

CRANKSHAFT
RGP4830 -UN-02DEC96



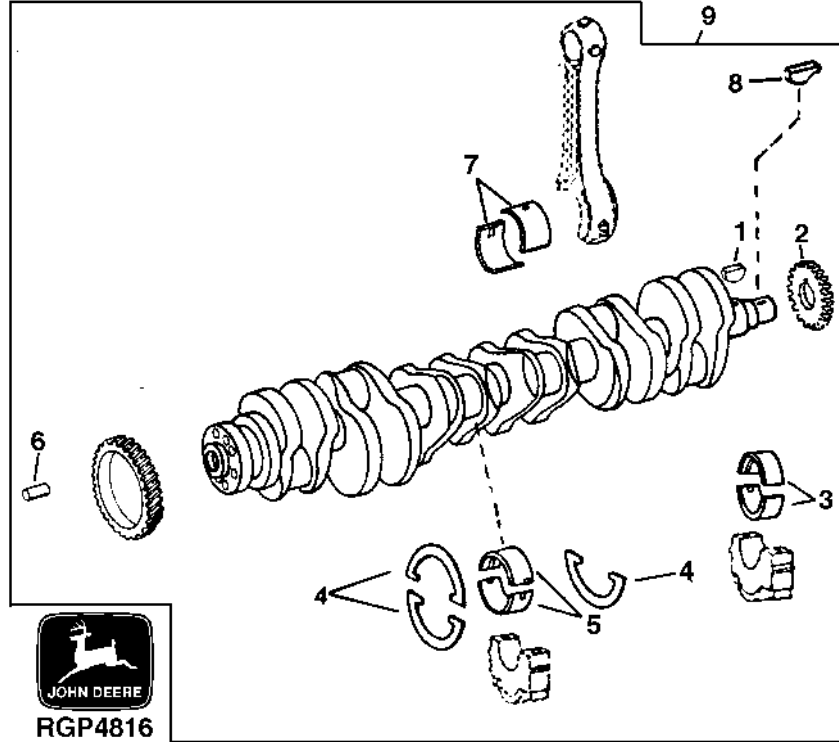
KEY	PART NO.	PART NAME	QTY	ENGINE SERIAL NO.	REMARKS
1	R41934	DOWEL PIN	1		
2	R120752	KEY	1	1/8" X 0.625"	
3	R104587	GEAR	1		
4	R116311	KEY	1		
5	RE55522	CRANKSHAFT	1	(MARKED R120030)	

1C15

ENGINE

UNDERSIZE CRANKSHAFT/BEARINGS, KIT

RGP4816 -UN-21OCT96



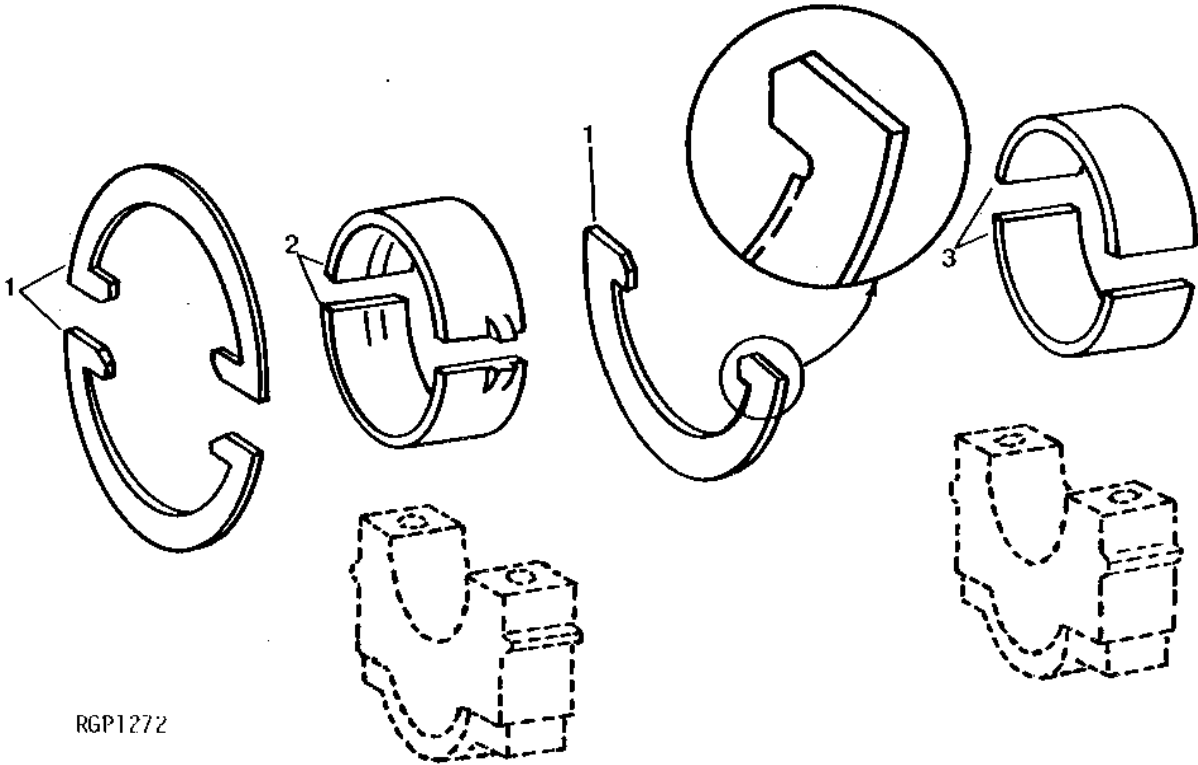
KEY	PART NO.	PART NAME	QTY	ENGINE SERIAL NO.	REMARKS
1	R120752	KEY	1		
2	R104587	GEAR	1		
3	RE57170	BEARING	6		STD
4	RE61253	THRUST WASHER	1		STD (PKG R116084 AND, R116085)
5	RE57175	THRUST BEARING	1		STD (PKG R116085)
6	R41934	DOWEL PIN	1		
7	RE57167	BEARING	6		.292 MM (.011") US (PKG (2) R121338)
8	R116311	KEY	1		
9	RE61267	CRANKSHAFT	1		.292 MM (.011") US, (MARKED RE58780 OR R122653)

1C16

ENGINE

MAIN BEARINGS

RGP1272 -UN-01JAN94



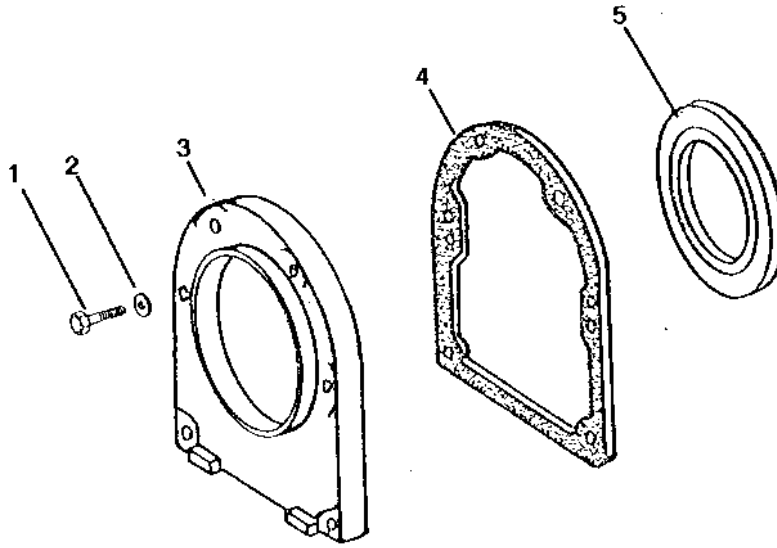
KEY	PART NO.	PART NAME	QTY	ENGINE SERIAL NO.	REMARKS
1	RE61253	THRUST WASHER	1		STD (PKG (3) R124381)
	RE61851	THRUST WASHER	1		0.18 MM (.007") (PKG (3) R124842)
2	RE57175	THRUST BEARING	1		STD (PKG R116084 AND R116085)
	RE57177	THRUST BEARING	1		0.292 MM (.011") (PKG R121350 AND R121354)
	RE57178	THRUST BEARING	1		0.552 MM (.022") (PKG R121351 AND R121355)
3	RE57170	BEARING	AR		STD (PKG R116082 AND R116083)
	RE57172	BEARING	AR		0.292 MM (.011") (PKG R121342 AND R121346)
	RE57173	BEARING	AR		0.552 MM (.022") (PKG R121343 AND R121347)

1C17

ENGINE

CRANKSHAFT OIL SEAL AND HOUSING

RGP2382 -UN-01JAN94



RGP2382

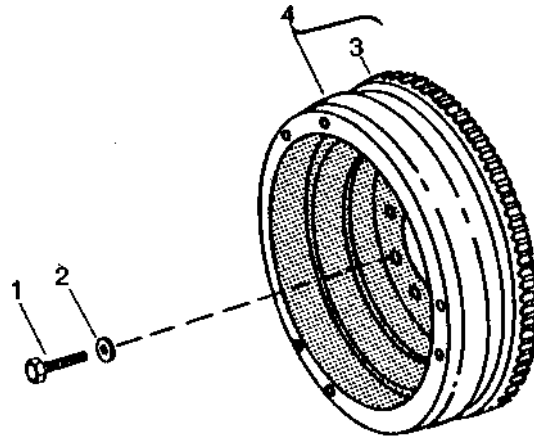
KEY	PART NO.	PART NAME	QTY	ENGINE SERIAL NO.	REMARKS
1	19H2117	CAP SCREW	6		
2	T27860	WASHER	6		
3	R125027	HOUSING	1		
4	R26058	GASKET	1		
5	RE22764	SEAL	1		

1C18

ENGINE

FLYWHEEL

RGP198 -UN-01JAN94



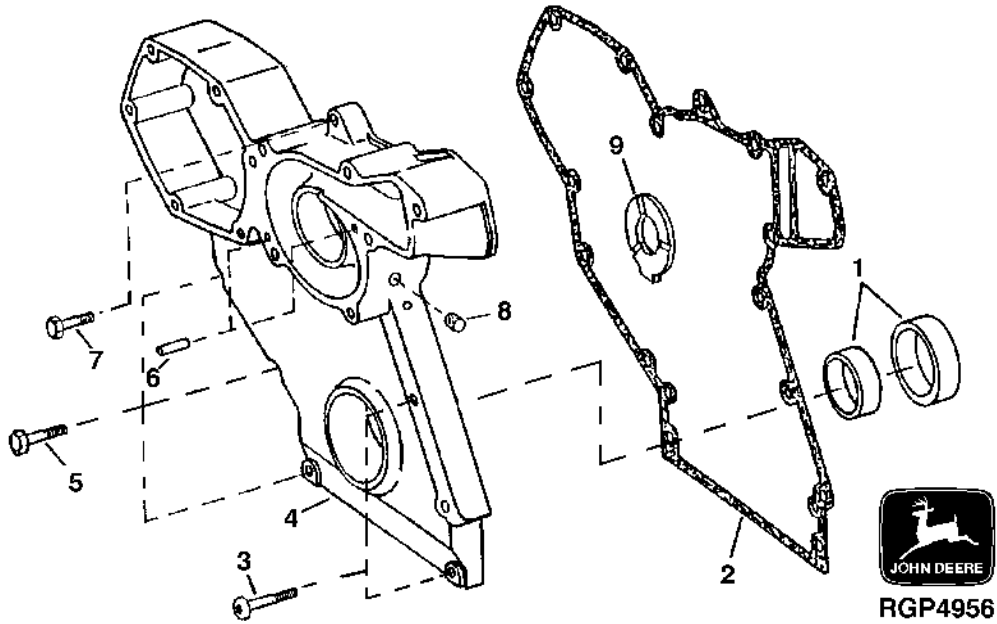
RGF198

KEY	PART NO.	PART NAME	QTY	ENGINE SERIAL NO.	REMARKS
1	R79850	CAP SCREW	6		
2	T23891	WASHER	6		
3	R28811	RING GEAR	1		
4	RE502510	FLYWHEEL	1		(MARKED R125183 OR R501414) (SUB FOR RE57733)

1C19

ENGINE

TIMING GEAR COVER
RGP4956 -UN-20AUG97



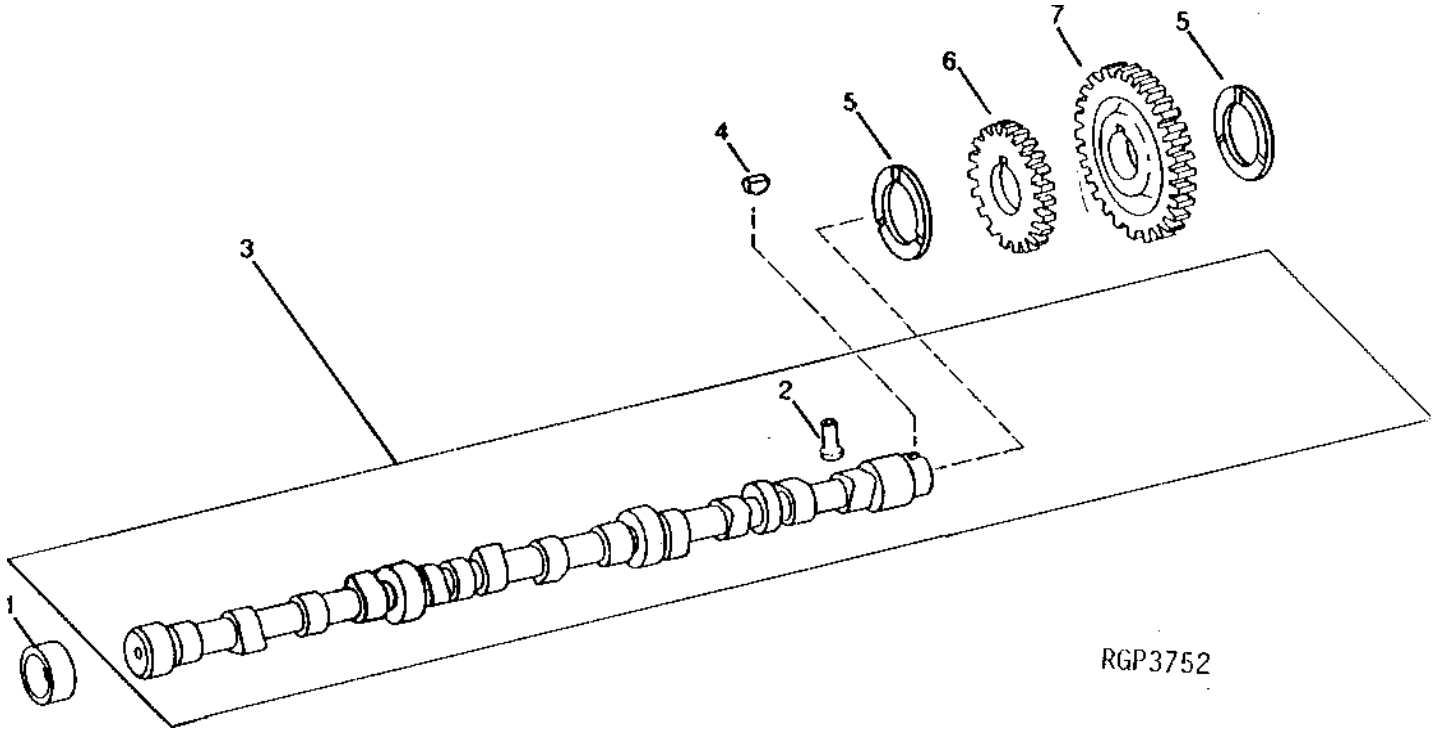
KEY	PART NO.	PART NAME	QTY	ENGINE SERIAL NO.	REMARKS
1	AR49025	SEAL	1		
2	R119384	GASKET	1		
3	R115129	CAP SCREW	3		
4	R119381	COVER	1		
5	R104859	CAP SCREW	3		
6	R11086	DOWEL PIN	2		
7	19H3693	CAP SCREW	1	3/8" X 1-1/4"	
8	R98527	FILTER	1	(WATER PUMP)	
9	R104656	THRUST WASHER	1		

1C20

ENGINE

CAMSHAFT

RGP3752 -UN-01JAN94

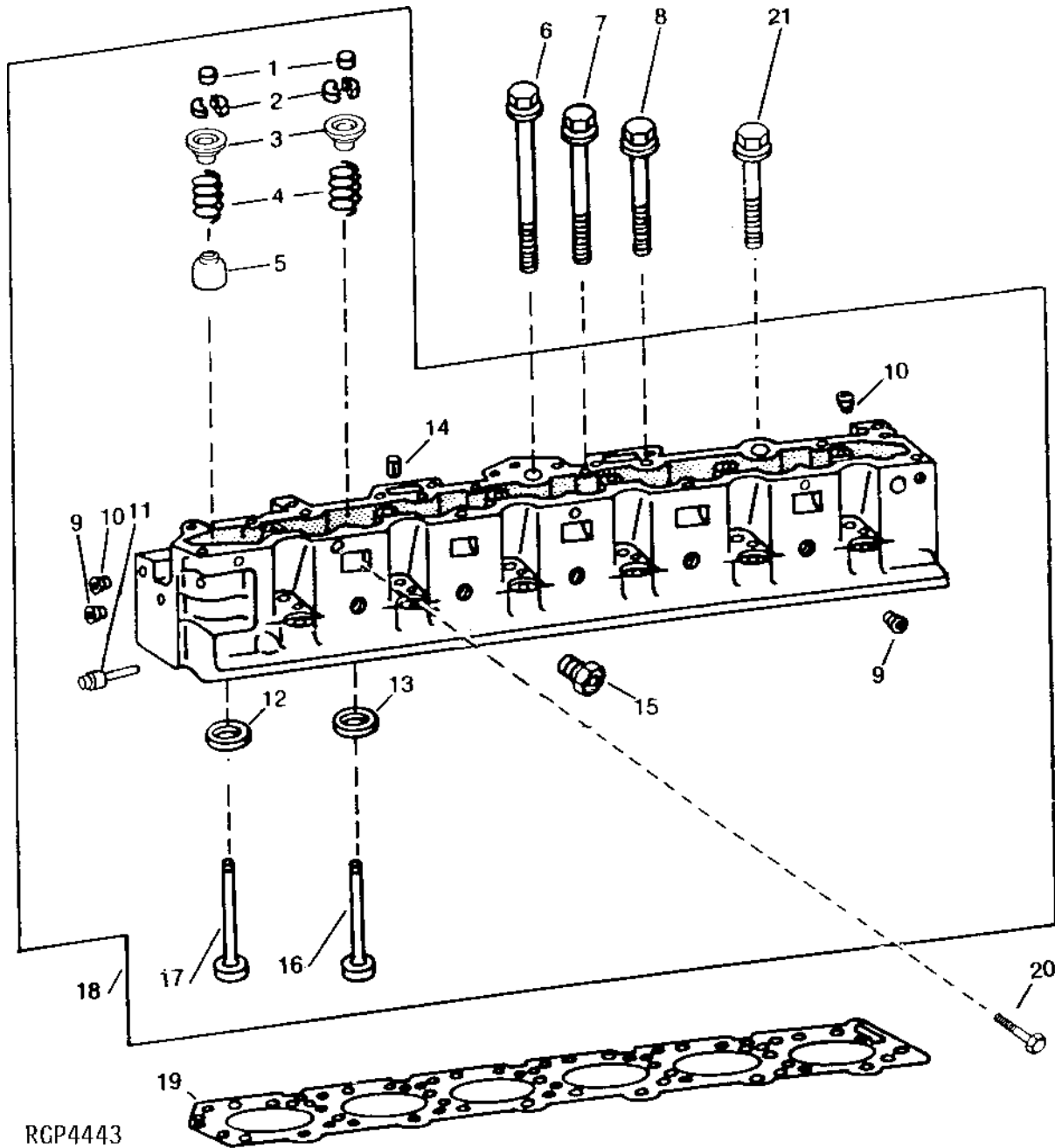


KEY	PART NO.	PART NAME	QTY	ENGINE SERIAL NO.	REMARKS
1	R87561	BUSHING	4		
2	R110126	CAM FOLLOWER	12		
3	RE57054	CAMSHAFT	1		(MARKED R120872)
4	26H91	SHAFT KEY	1		3/16" X 1-1/4"
5	R104656	THRUST WASHER	2		
6	R104589	GEAR	1		
7	R112053	GEAR	1		

1C21

ENGINE

CYLINDER HEAD
RGP4443 -UN-28FEB95



RGP4443

1C22

ENGINE

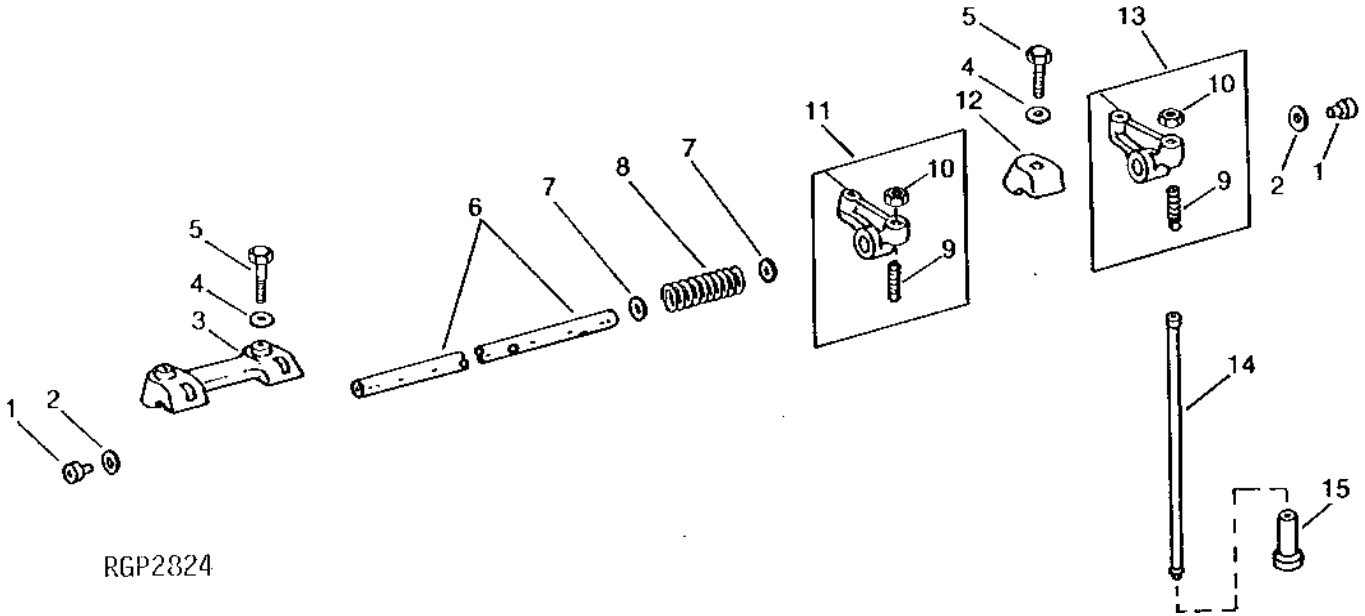
CYLINDER HEAD - CONTINUED

KEY	PART NO.	PART NAME	QTY	ENGINE SERIAL NO.	REMARKS
1	T20129	CAP	12		
2	T20077	RETAINER	24		
3	R136320	CAP	12		(SUB FOR R104534)
4	R91822	SPRING	12		
5	R102882	SHIELD	6		(EXHAUST VALVES ONLY)
6	R121491	CAP SCREW	7		203 MM (8.0") (MARKED "SPECIAL")
7	R121490	CAP SCREW	8		175 MM (6.9") (MARKED "SPECIAL")
8	R121320	CAP SCREW	6		134 MM (5.3") (MARKED "SPECIAL")
9	15H690	PIPE PLUG	10		3/4"
10	15H584	PIPE PLUG	2		1/2"
11	AT107509	PLUG	1		
12	R119132	VALVE SEAT INSERT	6		EXHAUST
13	R121193	VALVE SEAT INSERT	6		INTAKE
14	34H387	SPRING PIN	1		3/16" X 3/4"
15	R76491	PIPE PLUG	1		
16	R84618	INTAKE VALVE	6		STD
	R93308	INTAKE VALVE	AR		0.08MM (.003") OS
	R93312	INTAKE VALVE	AR		0.38MM (.015") OS
	R93314	INTAKE VALVE	AR		0.76MM (.030") OS
17	R84619	EXHAUST VALVE	6		STD
	R93311	EXHAUST VALVE	AR		0.08MM (.003") OS
	R93313	EXHAUST VALVE	AR		0.38MM (.015") OS
	R93315	EXHAUST VALVE	AR		0.76MM (.030") OS
18	RE57750	CYLINDER HEAD	1		(MARKED R122419)
19	RE55475	ENGINE CYLINDER HEAD GASKET	1		
20	19H2367	CAP SCREW	1		5/8" X 3/4"
21	R121489	CAP SCREW	5		149 MM (5.9") (MARKED "SPECIAL")
..	RG24026	KIT	1		(CONTAINS (26) "SPECIAL" HEAD BOLTS)

1C23

ENGINE

ROCKER ARM SHAFT
RGP2824 -UN-01JAN94



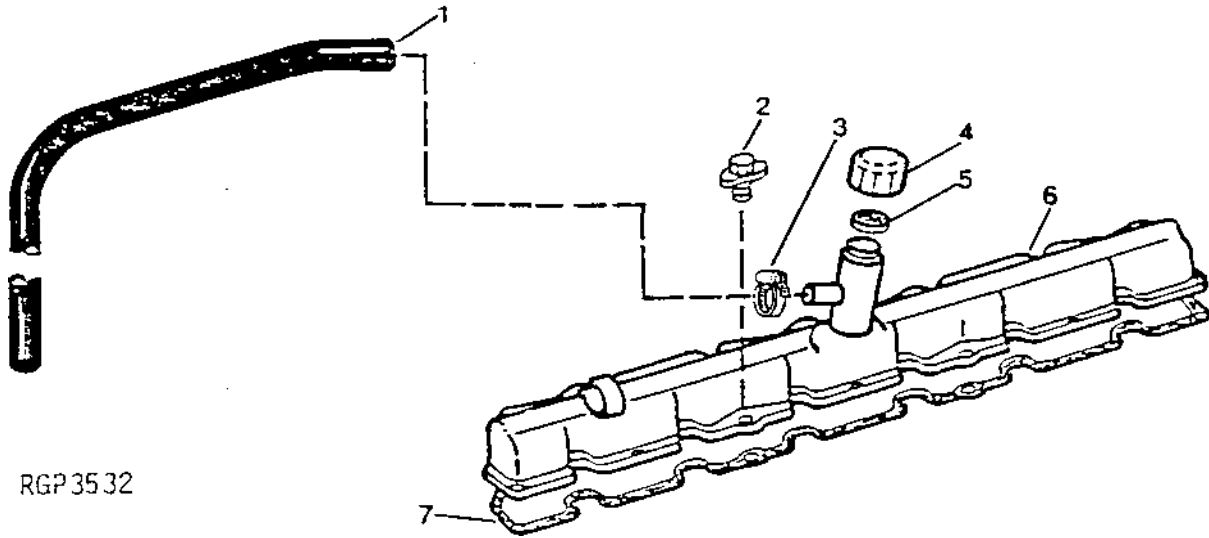
KEY	PART NO.	PART NAME	QTY	ENGINE SERIAL NO.	REMARKS
1	R54565	PLUG	2		
2	R26081	WASHER	2		
3	R136083	CLAMP	2		(SUB FOR R65553)
4	R26559	WASHER	6		
5	19H1740	CAP SCREW	6		7/16" X 1-3/4"
6	R70826	ROCKER ARM SHAFT	1		
7	R71208	WASHER	10		
8	R26079	SPRING	5		
9	R27443	SET SCREW	12		
10	14H1080	NUT	12		3/8"
11	RE24045	ROCKER ARM	6		(A) (1E, 2I, 3E, 4I, 5E, 6I) (RH)
12	R26748	CLAMP	2		
13	RE24046	ROCKER ARM	6		(A) (1I, 2E, 3I, 4E, 5I, 6E) (LH)
14	R85027	PUSH ROD	12		
15	R110126	CAM FOLLOWER	12		

(A) - E (EXHAUST VALVE) - I (INTAKE VALVE)

1C24

ENGINE

ROCKER ARM COVER
RGP3532 -UN-01JAN94



RGP 35 32

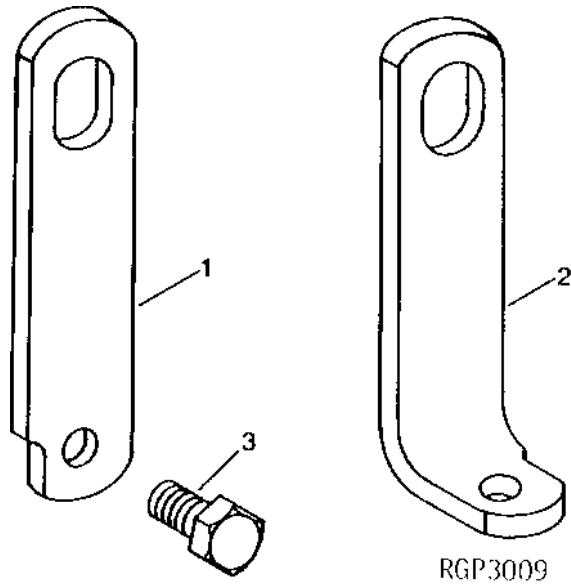
KEY	PART NO.	PART NAME	QTY	ENGINE SERIAL NO.	REMARKS
1	H152868	HOSE	1		
2	AR100124	SCREW, WITH WASHER	8		
3	TY22467	CLAMP	1		
4	T20294	CAP	1		
5	T20328	GASKET	1		
6	AR93173	COVER	1		
7	R49866	GASKET	1		
..	TY24446	ADHESIVE	1	(SUB FOR AR31790)	

1C25

ENGINE

LIFT STRAPS

RGP3009 -UN-01JAN94



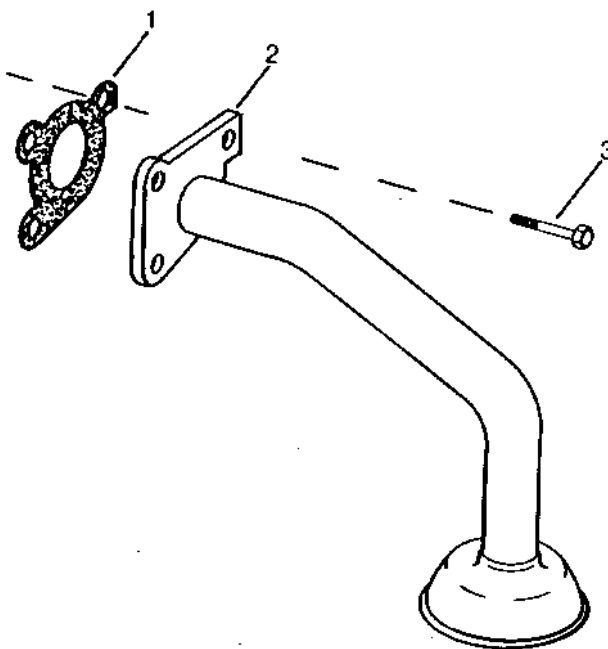
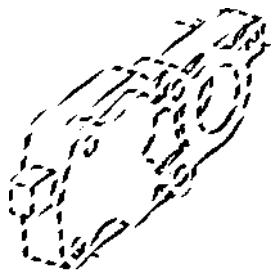
KEY	PART NO.	PART NAME	QTY	ENGINE SERIAL NO.	REMARKS
1	R61497	STRAP	1		
2	R86571	ANGLE	1		
3	19H1756	CAP SCREW	2	5/8" X 1-1/2"	

1D1

ENGINE

ENGINE OIL PUMP INTAKE

RGP3629 -UN-01JAN94



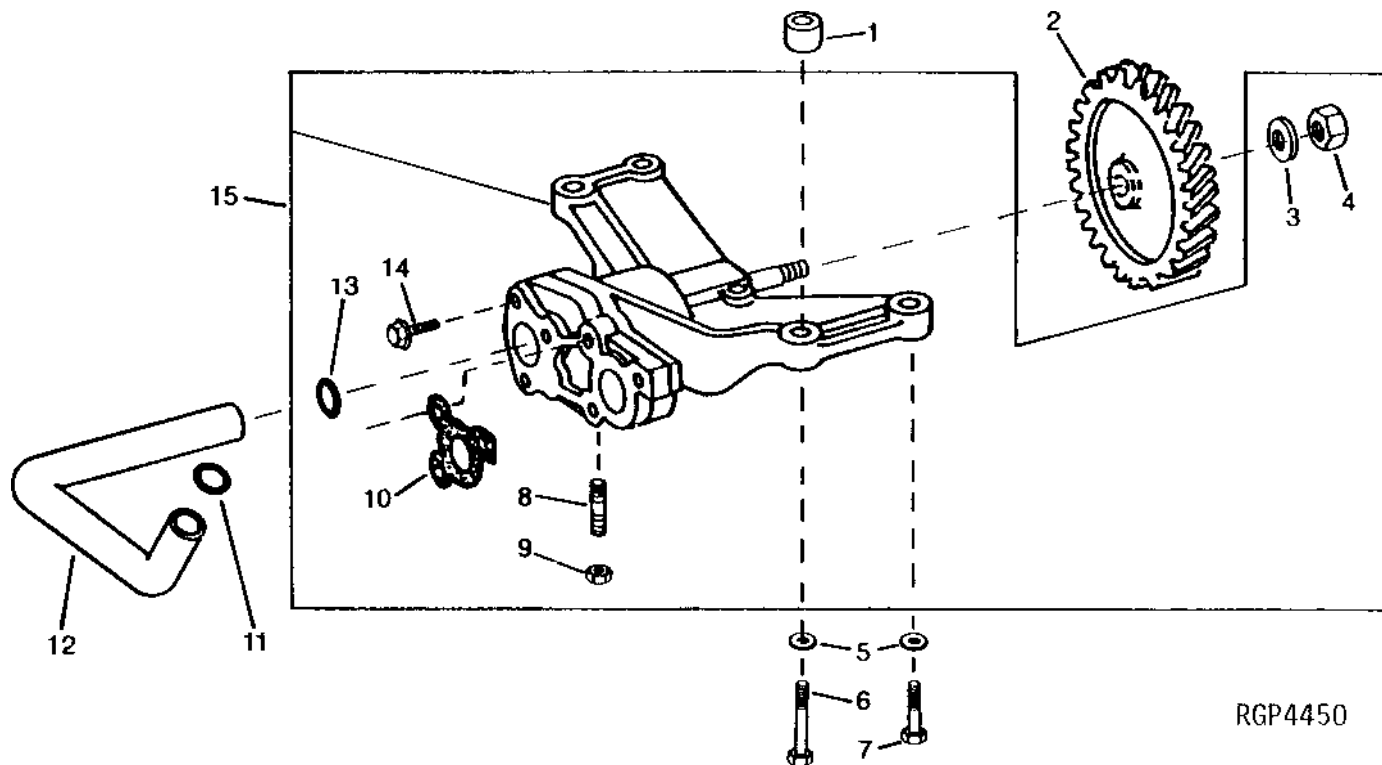
RGP3629

KEY	PART NO.	PART NAME	QTY	ENGINE SERIAL NO.	REMARKS
1	R100569	GASKET	1		
2	RE60546	OIL PUMP INTAKE	1		
3	R104628	CAP SCREW	3		

1D2

ENGINE

OIL PUMP
RGP4450 -UN-03MAR95



RGP4450

1D3

ENGINE

OIL PUMP - CONTINUED

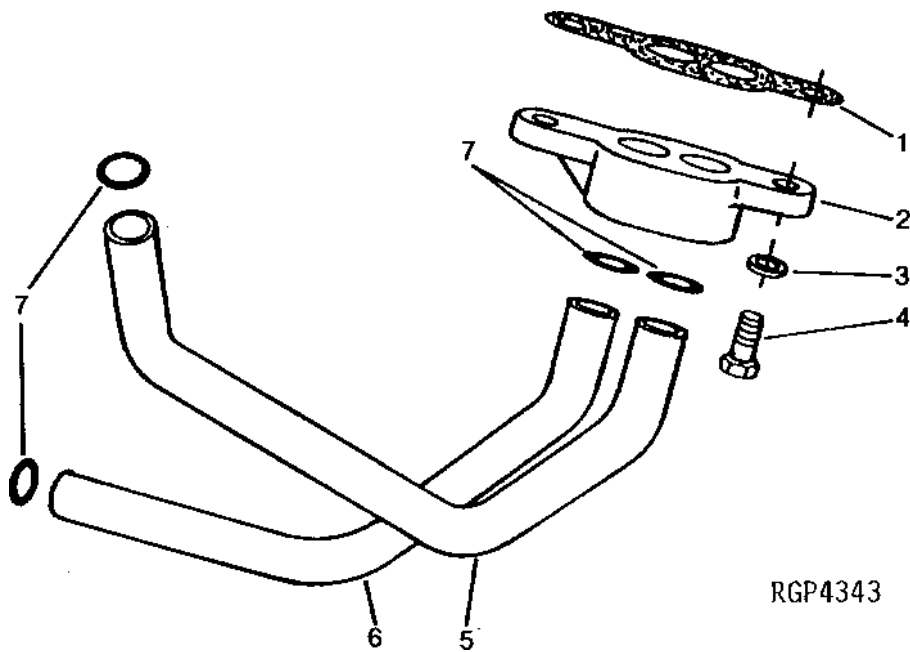
KEY	PART NO.	PART NAME	QTY	ENGINE SERIAL NO.	REMARKS
1	R62930	BUSHING	2		
2	R62938	GEAR	1		
3	T21242	WASHER	1		
4	14H826	NUT	1	1/2"	
5	R57696	WASHER	4		
6	19H2549	CAP SCREW	2	3/8" X 1-7/8"	
7	19H3219	CAP SCREW	2	3/8" X 1-3/8"	
8	22H1040	SET SCREW	1	5/16" X 1-1/4"	
9	14H785	NUT	1	5/16"	
10	R100569	GASKET	1		
11	R71732	O-RING	1		
12	R116718	OIL TUBE	1		
13	R71732	O-RING	1		
14	R104628	CAP SCREW	5		
15	RE60622	OIL PUMP	1	(MARKED R124328)	

1D4

ENGINE

OIL COOLER BYPASS VALVE

RGP4343 -UN-01JAN94



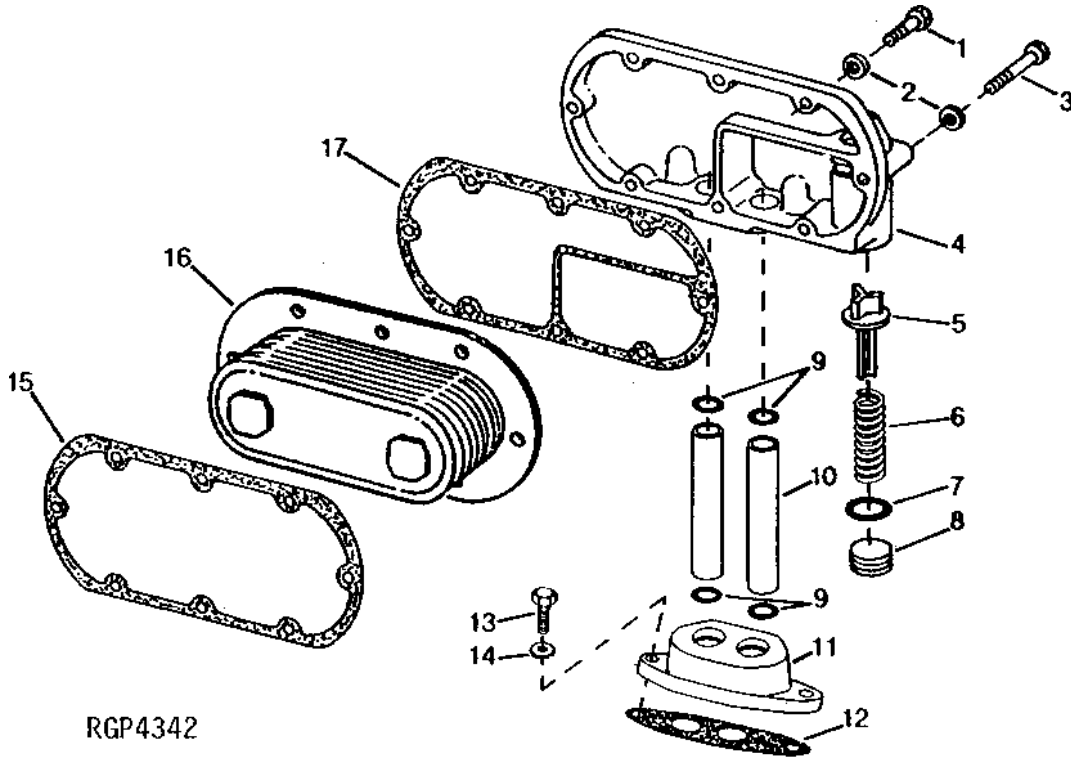
KEY	PART NO.	PART NAME	QTY	ENGINE SERIAL NO.	REMARKS
1	R109625	GASKET	1		
2	R116233	ADAPTER	1		
3	24M7096	WASHER	2		10.500 X 18 X 1.600 MM
4	R40236	CAP SCREW	2		
5	R126337	OIL TUBE	1		
6	R116718	OIL TUBE	1		
7	R71732	O-RING	4		

1D5

ENGINE

OIL COOLER

RGP4342 -UN-01JAN94



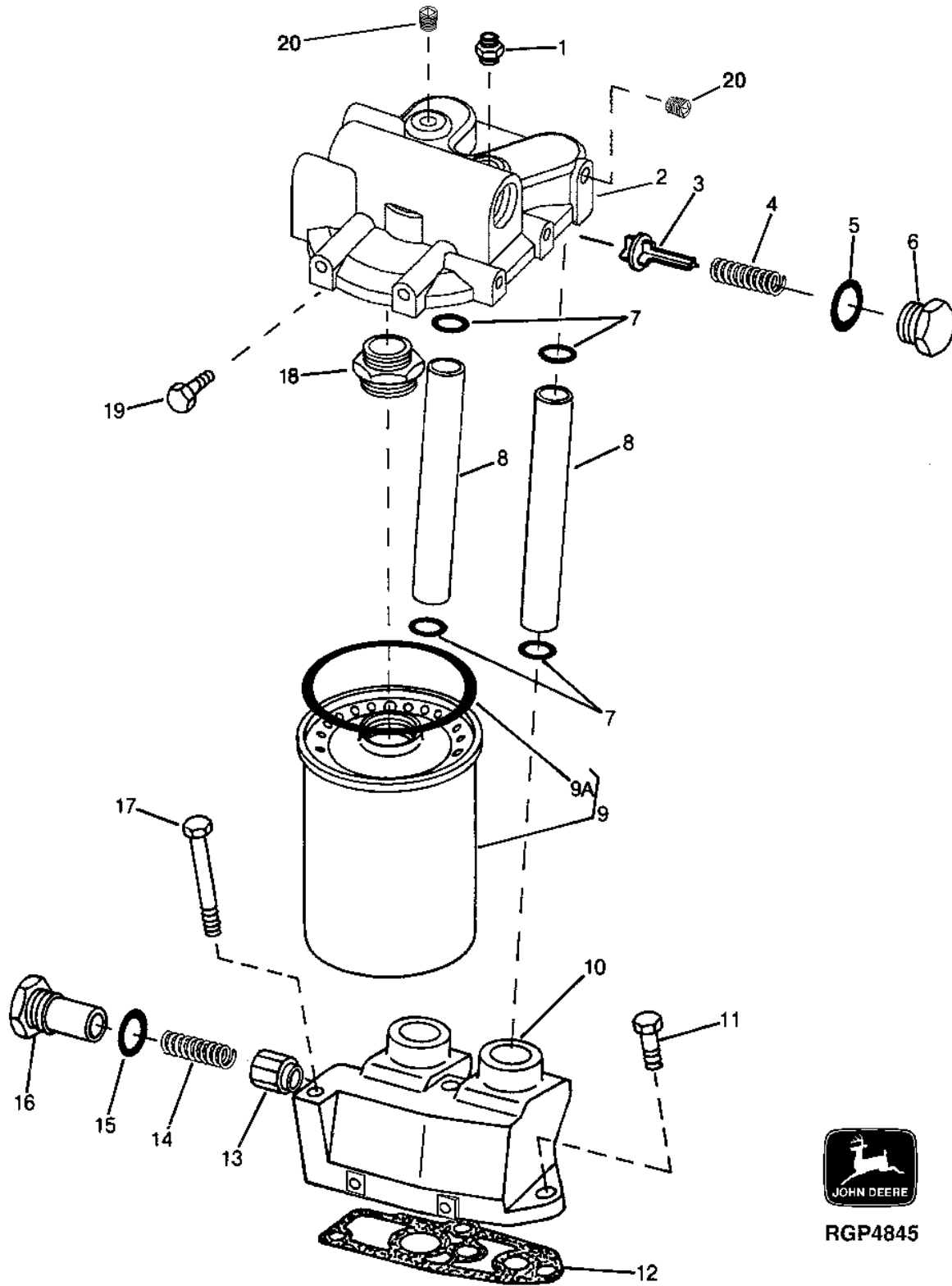
KEY	PART NO.	PART NAME	QTY	ENGINE SERIAL NO.	REMARKS
1	19H3768	CAP SCREW	5	5/16" X 1-3/8"	
2	24M7055	WASHER	8	8.400 X 16 X 1.600 MM	
3	19H3769	CAP SCREW	3	5/16" X 2-1/2"	
4	R134602	COVER	1		
5	R500055	VALVE	1	(SUB FOR R108867)	
6	R98064	SPRING	1		
7	U17409	O-RING	1		
8	R121163	FITTING PLUG	1		
9	R47153	O-RING	4		
10	R51053	OIL TUBE	2		
11	R127297	ADAPTER	1		
12	R50424	GASKET	2		
13	19H3483	CAP SCREW	2	3/8" X 1-1/8"	
14	24M7096	WASHER	2	10.500 X 18 X 1.600 MM	
15	AR58952	GASKET	1		
16	AR55394	OIL COOLER	1		
17	R132396	GASKET	1		

1D6

ENGINE

OIL FILTER
RGP4845

-UN-18DEC96



RGP4845

1D7

ENGINE

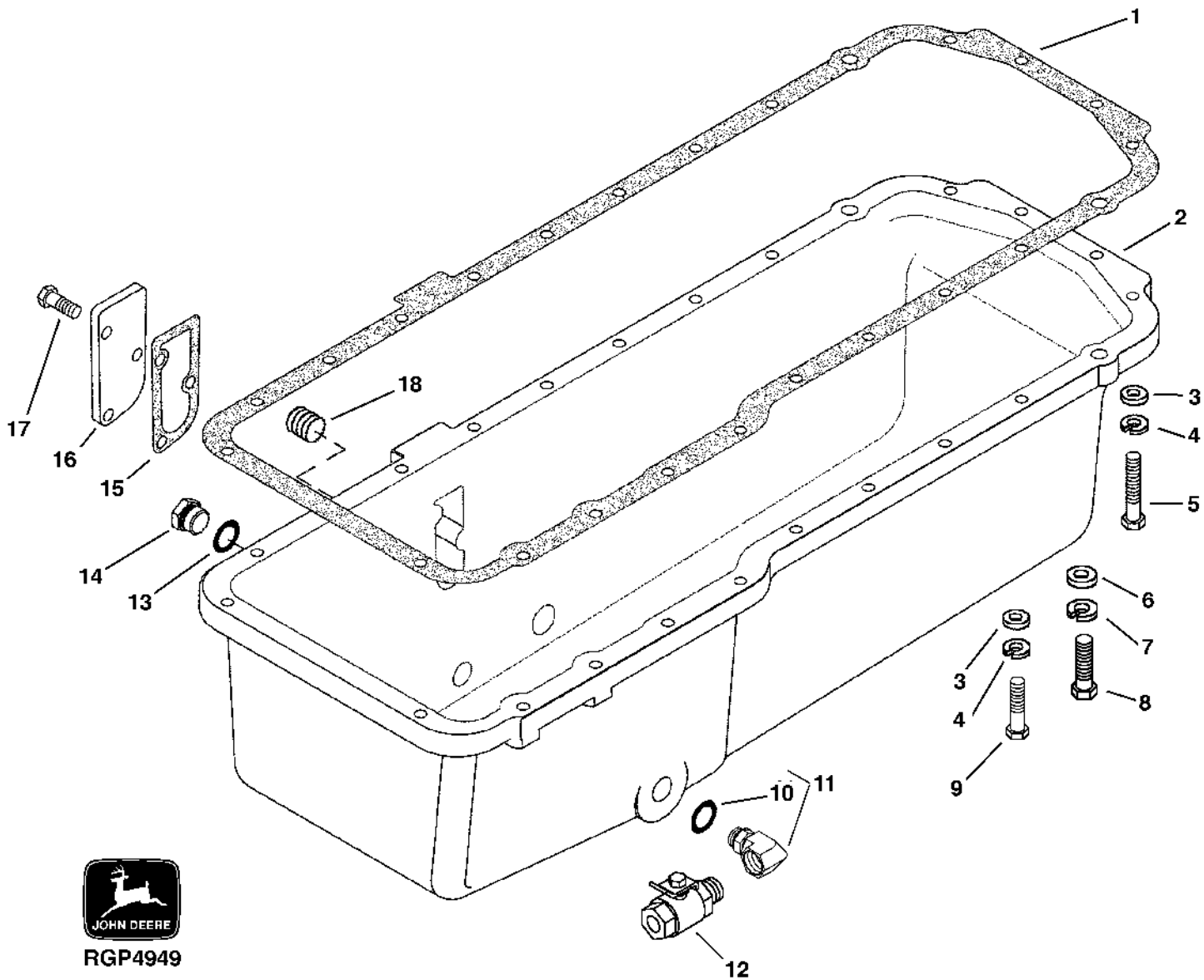
OIL FILTER - CONTINUED

KEY	PART NO.	PART NAME	QTY	ENGINE SERIAL NO.	REMARKS
1	RE57561	CONNECTOR	1		
2	R128694	BASE	1		
3	R500055	VALVE	1		(SUB FOR R108867)
4	R98064	SPRING	1		
5	U17409	O-RING	1		
6	R117073	FITTING PLUG	1		
7	R47153	O-RING	4		
8	R86063	TUBE	2		
9	RE57394	OIL FILTER	1		(MARKED RE57399)
9A	R43660	PACKING	1		
10	R129820	HOUSING	1		
11	19H3239	CAP SCREW	1		3/8" X 1-1/4"
12	R119847	GASKET	1		
13	R124186	RELIEF VALVE	1		
14	R500330	SPRING	1		
15	U17409	O-RING	1		
16	R129821	FITTING PLUG	1		
17	19H3445	CAP SCREW	2		3/8" X 3-3/4"
18	R104621	ADAPTER	1		
19	19H3104	CAP SCREW	2		7/16" X 1-1/4"
20	R104592	PIPE PLUG	2		

1D8

ENGINE

OIL PAN
RGP4949 -UN-15AUG97



1D9

ENGINE

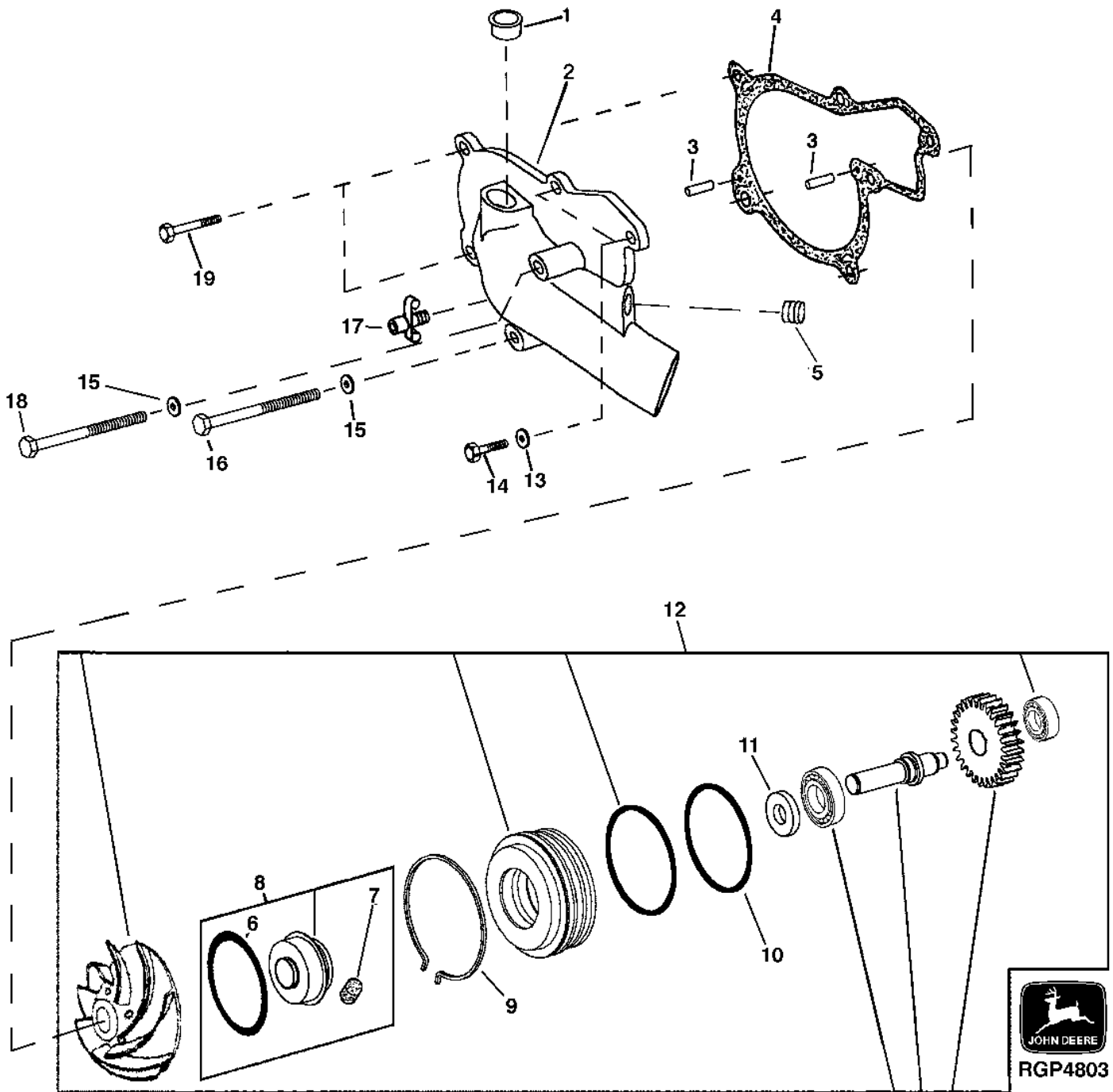
OIL PAN - CONTINUED

KEY	PART NO.	PART NAME	QTY	ENGINE SERIAL NO.	REMARKS
1	R49377	GASKET	1		
2	R126621	PAN	1		(SUB R500355, R127873, RE63439 AND (3) 19H1731)
	R500355	PAN	1		(SHALLOW SUMP) (SUB FOR R127395)
3	24H1305	WASHER	22		13/32" X 13/16" X 0.065"
4	12H304	LOCK WASHER	22		3/8"
5	19H3485	CAP SCREW	4		3/8" X 2"
6	24H1756	WASHER	2		1/2" X 1" X 0.060"
7	12H301	LOCK WASHER	2		1/2"
8	19H2473	CAP SCREW	2		1/2" X 1-3/4"
9	19H3267	CAP SCREW	18		3/8" X 1-5/8"
10	R47151	O-RING	1		
11	RE500318	ELBOW FITTING	1		
12	RE32856	VALVE	1		
13	R47151	O-RING	1		
14	R27474	DRAIN PLUG	1		
15	RE63439	GASKET	1		(USE WITH R500355)
16	R127873	COVER	1		(USE WITH R500355)
17	19H1731	CAP SCREW	3		3/8" X 1", (USE WITH R500355)
18	15H690	PIPE PLUG	1		3/4"

1D10

ENGINE

WATER PUMP
RGP4803 -UN-04OCT96



1D11

ENGINE

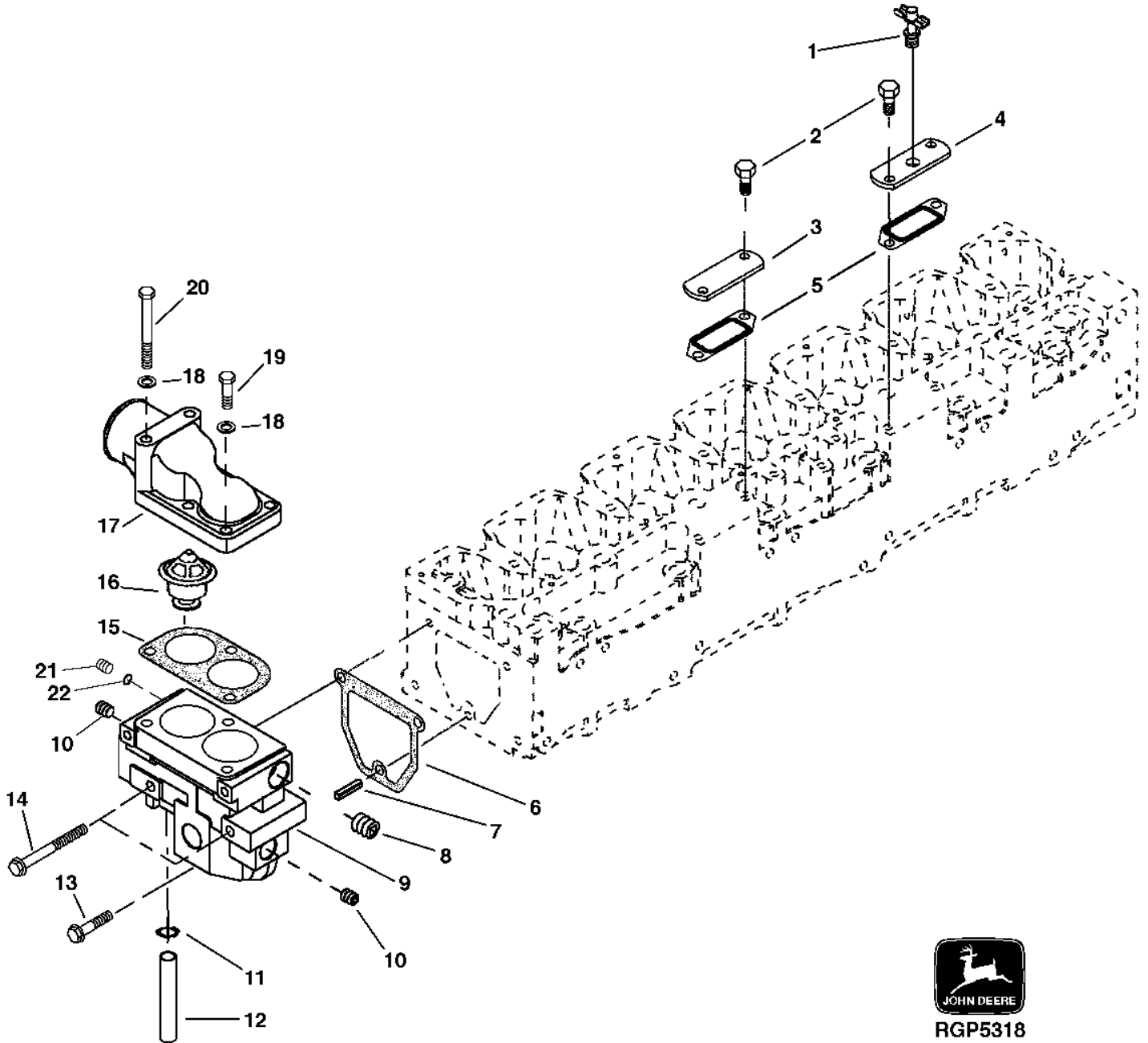
WATER PUMP - CONTINUED

KEY	PART NO.	PART NAME	QTY	ENGINE SERIAL NO.	REMARKS
1	RE57190	SEAL	1		
2	R119382	COVER	1	(LEFT HAND)	
3	R11086	DOWEL PIN	2		
4	R119383	GASKET	1		
5	15H624	PIPE PLUG	1	1/2"	
6	R71596	O-RING	1		
7	R98527	FILTER	1		
8	RE69844	KIT	1	(INCLUDES INSTALLATION TOOL)	
9	R121316	RING	1	(RETAINING)	
10	R122430	O-RING	2		
	RE502154	KIT	1	(CONTAINS RETAINING RING AND (2) O-RINGS)	
11	RE39134	SEAL	1	(OIL)	
12	RE57154	WATER PUMP	1	(MARKED R119795) (16 TEETH)	
13	24H1136	WASHER	1	11/32" X 11/16" X 0.065"	
14	19H1854	CAP SCREW	1	3/8" X 3-3/4"	
15	24H1305	WASHER	3	13/32" X 13/16" X 0.065"	
16	19H2343	CAP SCREW	1	5/16" X 5-1/2"	
17	AT13740	DRAIN VALVE	1		
18	19H2345	CAP SCREW	2	3/8" X 5-1/2"	
19	19H3411	CAP SCREW	2	3/8" X 1-1/8", (WATER PUMP COVER TO TIMING GEAR COVER)	

1D12

ENGINE

WATER MANIFOLD/THERMOSTAT
RGP5318 -UN-01SEP99



1D13

ENGINE

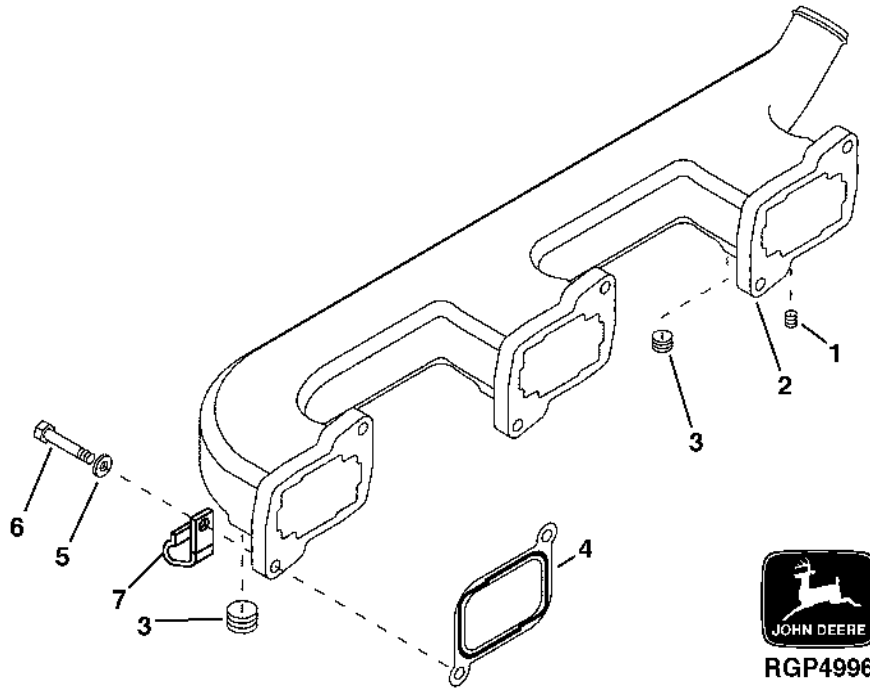
WATER MANIFOLD/THERMOSTAT - CONTINUED

KEY	PART NO.	PART NAME	QTY	ENGINE SERIAL NO.	REMARKS
1	AT13740	DRAIN VALVE	1		
2	T53268	BOLT	4		
3	R86061	STRAP	1		
4	R114160	COVER	1		
5	R88397	GASKET	2		
6	R124211	GASKET	1		
7	34H329	SPRING PIN	1	5/16" X 1-1/4"	
8	15H690	PIPE PLUG	1	3/4"	
9	R500197	MANIFOLD	1		
10	15H624	PIPE PLUG	2	1/2", (SUB RE57836)	
	RE57836	PIPE PLUG	2		
11	R72328	O-RING	2		
12	R125025	TUBE	1		
13	R133999	CAP SCREW	1		
14	R133998	CAP SCREW	2		
15	R124607	GASKET	1	(SUB FOR R46479)	
16	RE69581	THERMOSTAT	2		
17	R89439	COVER	1		
18	24H1302	WASHER	3	13/32" X 11/16" X 0.035"	
19	19H3239	CAP SCREW	2	3/8" X 1-1/4"	
20	19H2639	CAP SCREW	1	3/8" X 3-3/8"	
21	R82719	FITTING PLUG	1		
22	R77673	O-RING	1		
..	N102039	CAP	1	(BEARING BORE)	

1D14

ENGINE

INTAKE MANIFOLD
RGP4996 -UN-25MAR98

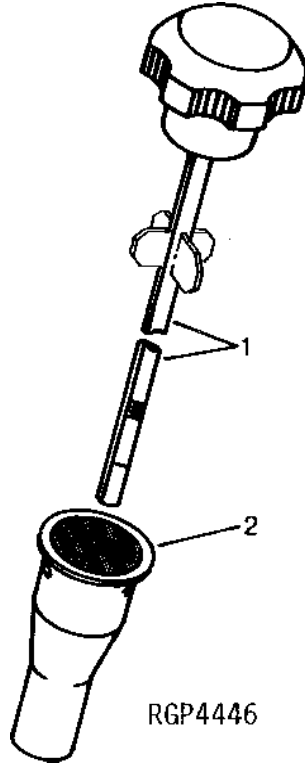


KEY	PART NO.	PART NAME	QTY	ENGINE SERIAL NO.	REMARKS
1	R104592	PIPE PLUG	1		
2	R132290	INTAKE MANIFOLD	1		
3	15H666	PIPE PLUG	1	3/8", (FRONT)	
	15H690	PIPE PLUG	1	3/4", (REAR)	
4	R130573	GASKET	3		
5	24H1682	WASHER	6	13/32" X 7/8" X 0.120"	
6	19H1651	CAP SCREW	6	3/8" X 1-1/2"	
7	T32231	CLAMP	1		

1D15

ENGINE

ENGINE OIL DIPSTICK
RGP4446 -UN-03MAR95



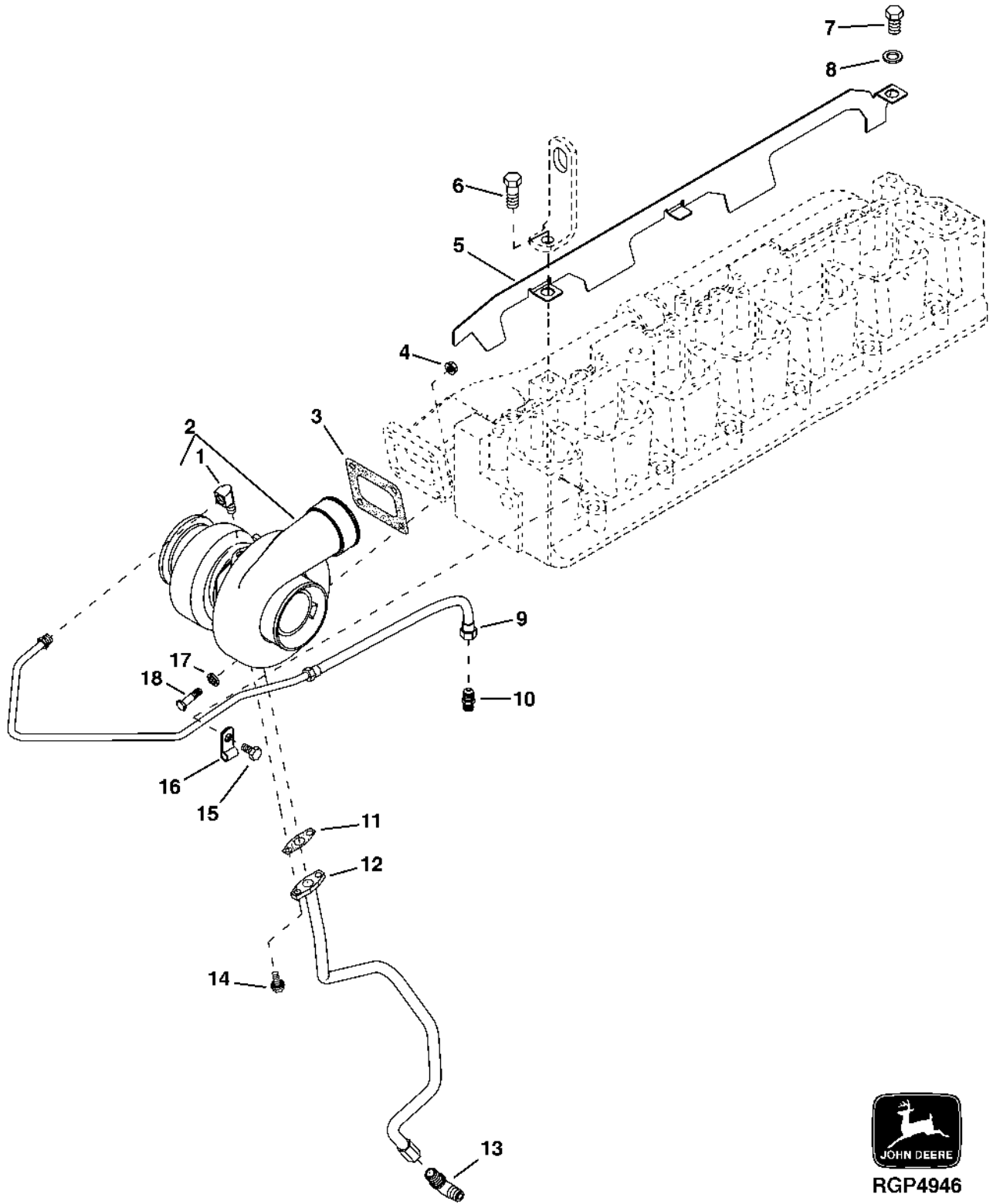
KEY	PART NO.	PART NAME	QTY	ENGINE SERIAL NO.	REMARKS
1	RE500216	DIPSTICK	1		
2	R121765	DIPSTICK TUBE	1	141.5 MM (5.57")	

1D16

ENGINE

TURBOCHARGER AND OIL LINES

RGP4946 -UN-15AUG97



RGP4946

1D17

ENGINE

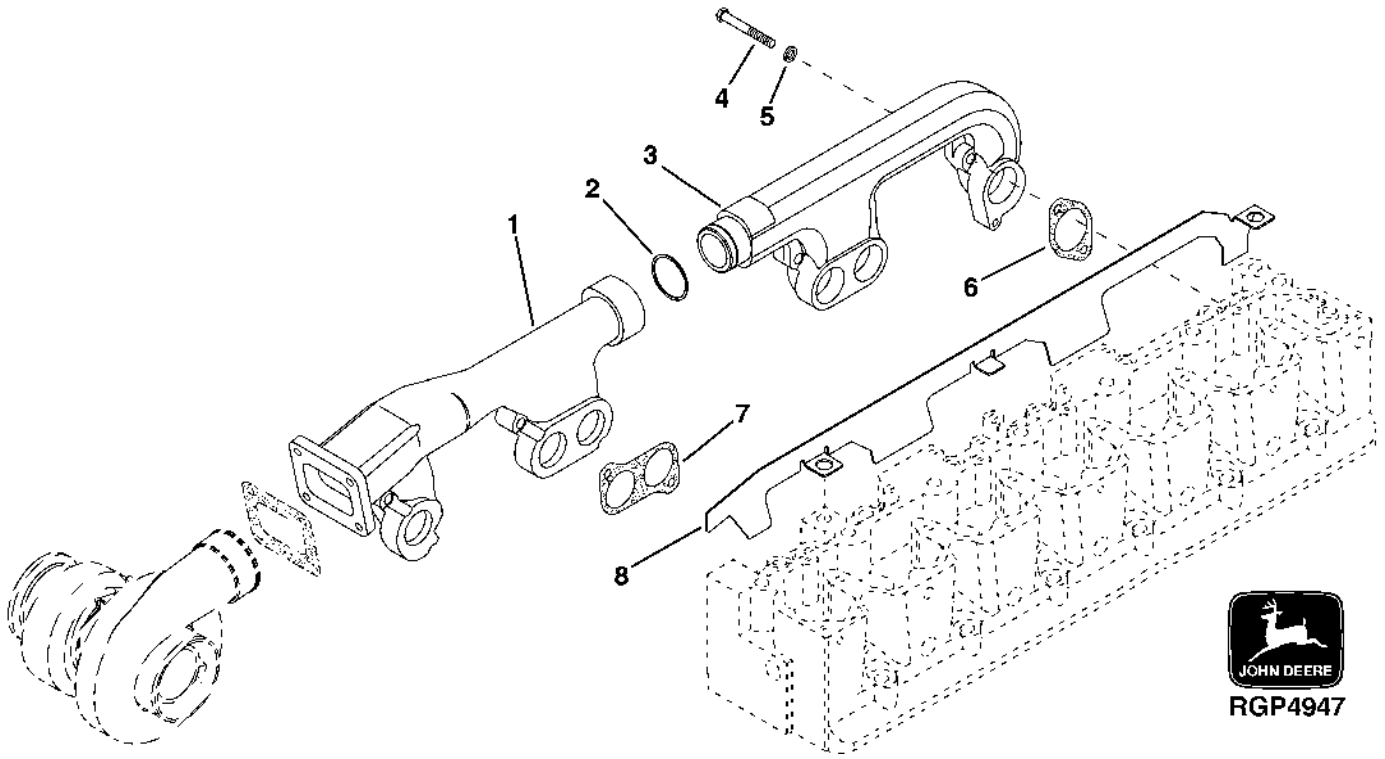
TURBOCHARGE AND OIL LINES - CONTINUED

KEY	PART NO.	PART NAME	QTY	ENGINE SERIAL NO.	REMARKS
1	T11180	ELBOW FITTING	1		
2	RE66351	TURBOCHARGER	1		(REMANUFACTURED) (SCHWITZER) (MARKED RE64767)
3	R92097	GASKET	1		
4	E55662	FLANGE NUT	4		
5	RE68767	HEAT SHIELD	1		
6	19H1756	CAP SCREW	1		5/8" X 1-1/2"
7	19H1916	CAP SCREW	1		5/8" X 1"
8	24H1658	WASHER	1		21/32" X 1" X 0.060"
9	RE68844	OIL LINE	1		
10	RE57561	CONNECTOR	1		
11	R105346	GASKET	1		
12	RE64134	OIL LINE	1		
13	R120187	ELBOW FITTING	1		
14	R122618	SCREW	2		
15	19H1936	CAP SCREW	1		3/8" X 3/4"
16	T28862	CLAMP	1		
17	24H1305	WASHER	4		13/32" X 13/16" X 0.065"
18	R100747	SELF-LOCKING SCREW	4		

1D18

ENGINE

EXHAUST MANIFOLD
RGP4947 -UN-26AUG97



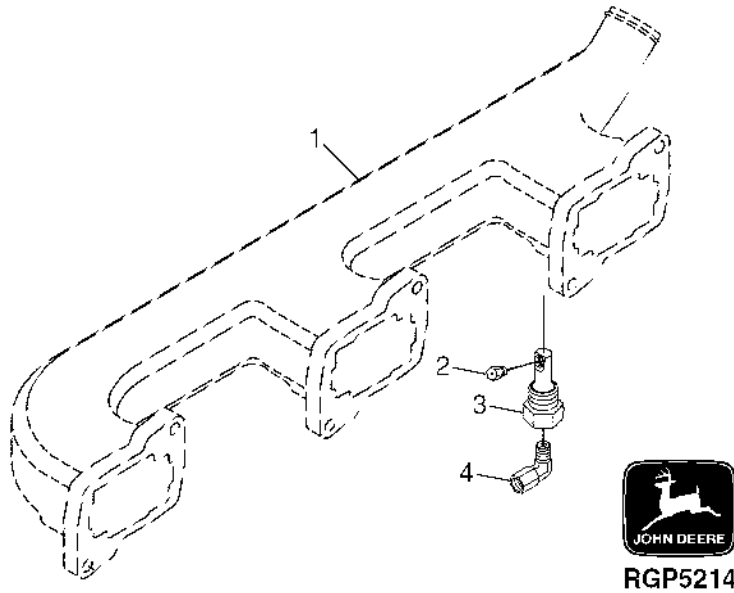
KEY	PART NO.	PART NAME	QTY	ENGINE SERIAL NO.	REMARKS
1	R91519	MANIFOLD	1		
2	R122595	RING	1		
3	R69936	EXHAUST MANIFOLD	1		
4	19H2458	CAP SCREW	8	3/8" X 3"	
5	R63845	WASHER	8		
6	R83021	GASKET	2		
7	R83020	GASKET	2		
8	RE68767	HEAT SHIELD	1		

1D19

ENGINE

ETHER AID

RGP5214 -UN-11JUN99



KEY	PART NO.	PART NAME	QTY	ENGINE SERIAL NO.	REMARKS
1	INTAKE MANIFOLD	1		
2	T155858	NOZZLE	1	(SUB FOR R28583)	
3	R47160	NOZZLE HOLDER	1		
4	RE21790	ELBOW FITTING	1		

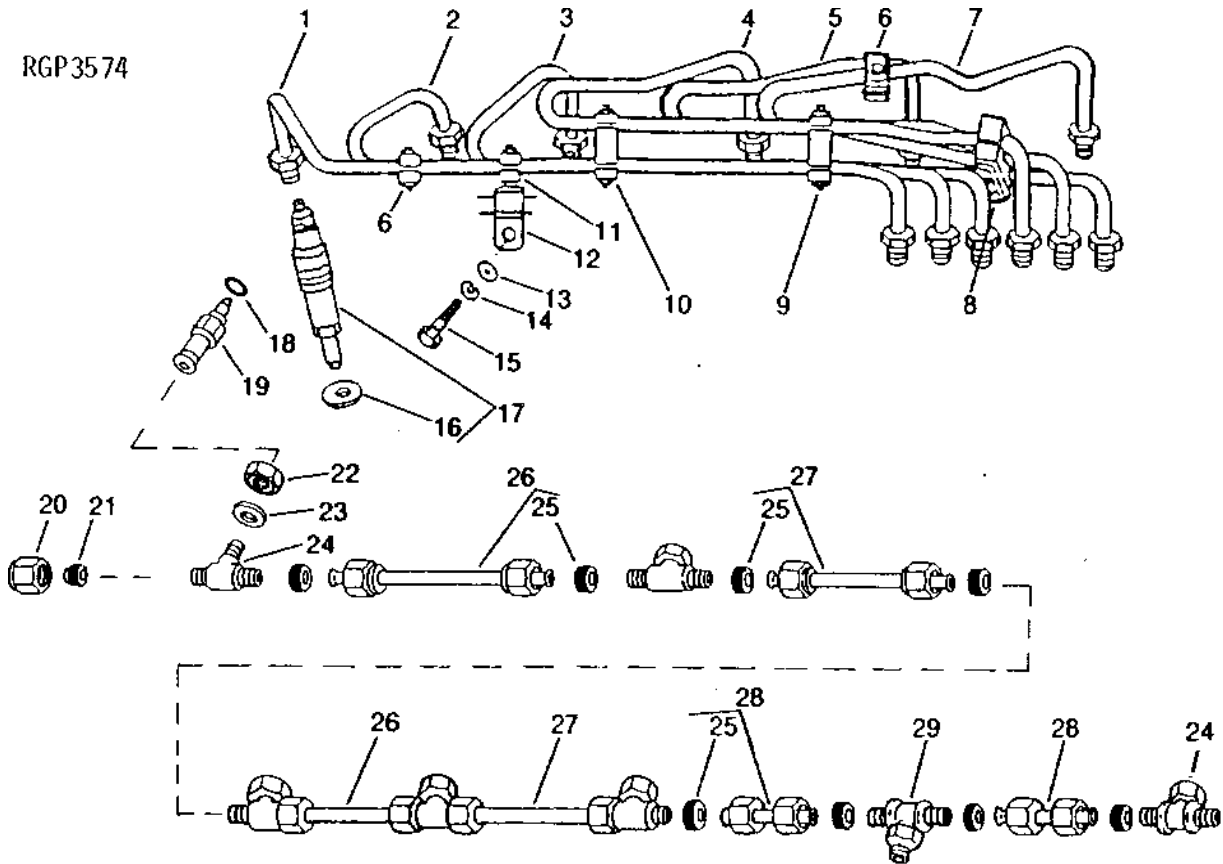
1D20

ENGINE

FUEL INJECTION NOZZLES/FUEL LINES

RGP3574 -UN-01JAN94

RGP3574



1D21

ENGINE

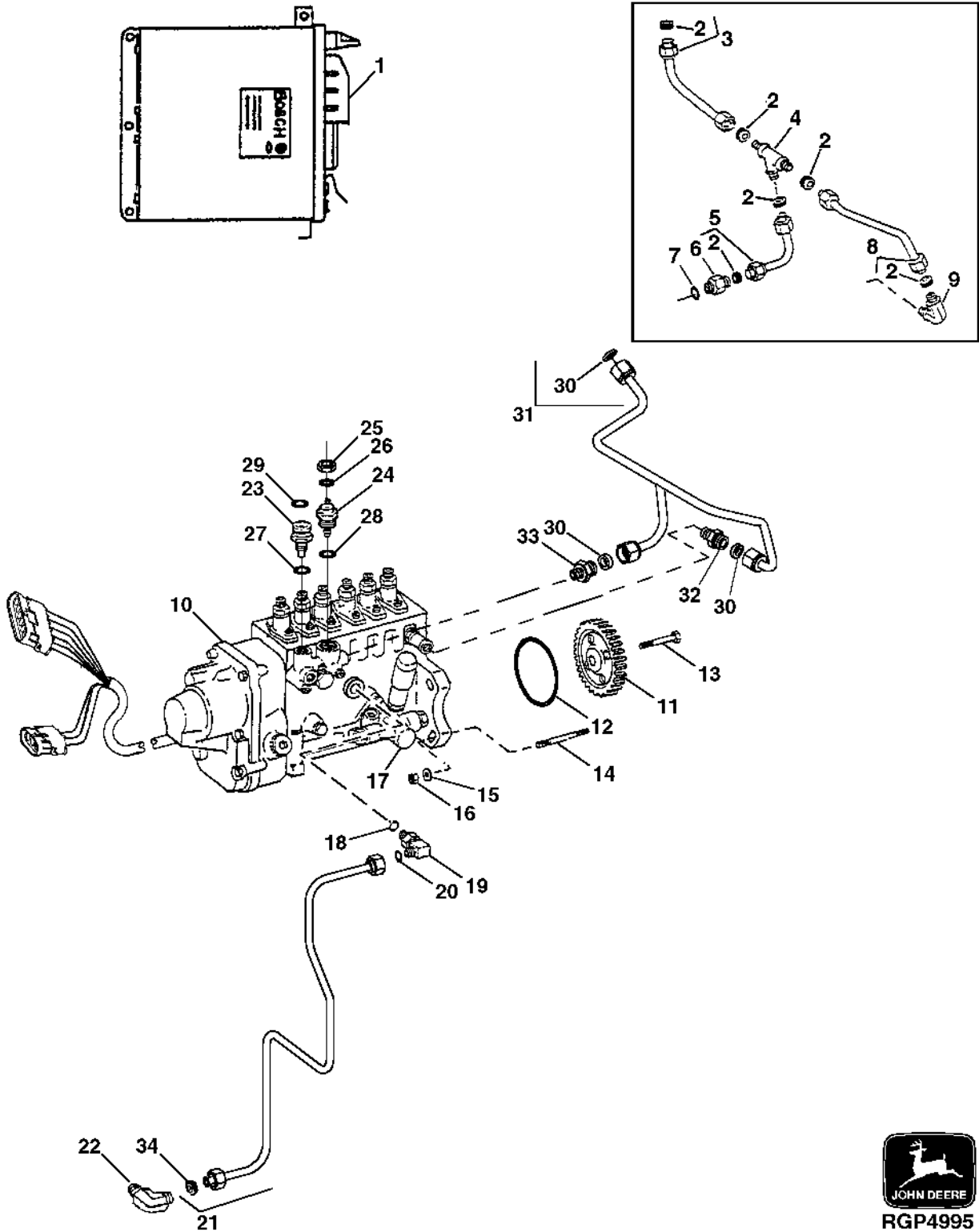
FUEL INJECTION NOZZLES/FUEL LINES - CONTINUED

KEY	PART NO.	PART NAME	QTY	ENGINE SERIAL NO.	REMARKS
1	RE57151	FUEL LINE	1	NO. 6	
2	RE57150	FUEL LINE	1	NO. 5	
3	RE57149	FUEL LINE	1	NO. 4	
4	RE57148	FUEL LINE	1	NO. 3	
5	R59305	STRAP	1		
	R58186	CLAMP	2		
	R61144	STRAP	1		
	21H1463	CAP SCREW	2	0.190" X 7/8"	
6	RE57147	FUEL LINE	1	NO. 2	
7	RE57146	FUEL LINE	1	NO. 1	
8	R59298	STRAP	1		
	R59297	HALF CLAMP	2		
	21H1463	CAP SCREW	2	0.190" X 7/8"	
9	R59298	STRAP	2		
	R71212	CLAMP	1		
	R61145	STRAP	1		
	R71398	SCREW	2	0.190" X 1-1/2"	
10	R59305	STRAP	1		
	R58186	CLAMP	1		
	R74030	CLAMP	1		
	R74804	CLAMP	1		
	R61144	STRAP	1		
	R71398	SCREW	1	0.190" X 1-1/2"	
11	R59298	STRAP	1		
	R59297	HALF CLAMP	2		
	21H1463	CAP SCREW	2	0.190" X 7/8"	
	RE47120	ABSORBER	1		
13	24H1884	WASHER	1	13/32" X 13/16" X 0.120"	
14	12M7066	LOCK WASHER	NA	10.200 MM	
15	19M7166	CAP SCREW	1	M10 X 20	
16	R84472	WASHER	6	(NOT INCLUDED)	
17	RE57152	INJECTION NOZZLE	6	(ROBERT BOSCH)	
	SE500182	INJECTION NOZZLE	6	(REMANUFACTURED)	
18	R77551	O-RING	6		
19	R87082	FITTING	6	(ALSO ORDER R77551)	
20	R51937	TUBE NUT	NA		
21	AR85519	PLUG	NA		
22	R79604	TUBE NUT	6		
23	R79605	WASHER	6		
24	R79606	TEE FITTING	6		
25	R51936	PACKING	11		
26	RE15807	FUEL LINE	2		
27	RE15808	FUEL LINE	2		
28	RE36421	FUEL LINE	2		
29	R97061	TEE FITTING	1		
..	AR85519	PLUG	1	(FRONT LEAK-OFF)	
..	R51937	TUBE NUT	1	(FRONT LEAK-OFF)	
..	AR104650	FUEL LINE	1	(REAR LEAK-OFF)	

1D22

ENGINE

FUEL INJECTION PUMP/LUBE LINES/ENGINE CONTROLLER
RGP4995 -UN-26MAR98



FUEL INJECTION PUMP/LUBE LINES/ENGINE CONTROLLER - CONTINUED

KEY	PART NO.	PART NAME	QTY	ENGINE SERIAL NO.	REMARKS
1	RE503312	ENGINE CONTROLLER	1		(MARKED RE66614 OR RE502404) (SUB FOR RE500510, RE501772, RE502083 OR RE502893) (JOHN DEERE)
2	R51936	PACKING	6	-035177	(HH003 ONLY)
3	RE30920	FUEL LINE	1	-035177	(HH003 ONLY)
4	R97061	TEE FITTING	1	-035177	(HH003 ONLY)
5	RE30833	FUEL LINE	1	-035177	(HH003 ONLY)
6	R91824	FITTING	1	-035177	(HH003 ONLY)
7	R48693	WASHER	1	-035177	(HH003 ONLY)
8	RE35684	FUEL LINE	1	-035177	(HH003 ONLY)
9	R67364	ELBOW FITTING	1	-035177	(HH003 ONLY)
10	RE61658	FUEL INJECTION PUMP	1		(A) (ROBERT BOSCH) (PES6P120A702RS7315)
11	R121164	GEAR	1		
12	R76358	O-RING	1		
13	R121195	CAP SCREW	4		(SUB FOR R112975) (T45)
14	R114130	STUD	4		
15	M72490	WASHER	4		
16	14H1090	NUT	4		3/8"
17	RE46375	FUEL PUMP	1		
18	R79060	O-RING	1		(SUB FOR R73858)
19	AR88903	ELBOW FITTING	1		
20	R67264	PACKING	2		
21	RE60577	OIL LINE	1		
22	T18012	ELBOW FITTING	1		
23	RE28217	FUEL TEMPERATURE SENSOR	1		(TEMPERATURE)
	R98500	O-RING	1		
24	R89014	SOLENOID	1		(SHUT-OFF HOUSING)
25	12H296	WASHER	1		5.486 MM (0.216")
26	14M7297	NUT	1		M5
27	R53899	WASHER	1		16.200 X 19.900 X 1.500 MM (0.638" X 0.783" X 0.059")
28	R99047	O-RING	1		10 X 2.500 MM (0.394" X 0.098")
29	R98500	O-RING	1		23 X 2.500 MM (0.906" X 0.098")
30	R51936	PACKING	3	035178-	
31	RE66000	FUEL LINE	1	035178-XXXXXX	(HH003, HH010)
	RE501262	FUEL LINE	1	XXXXXX-	(HH003, HH010) (SUB RE504635)
	RE504635	FUEL LINE	1		(HH003, HH010) (SUB FOR RE501262)
32	R63604	FITTING	1	035178-	(HH003, HH010)
33	RE67934	CONNECTOR	1	035178-	(HH003, HH010)
	O-RING	1	035178-	(SUB RE67934)
34	R67264	PACKING	1		

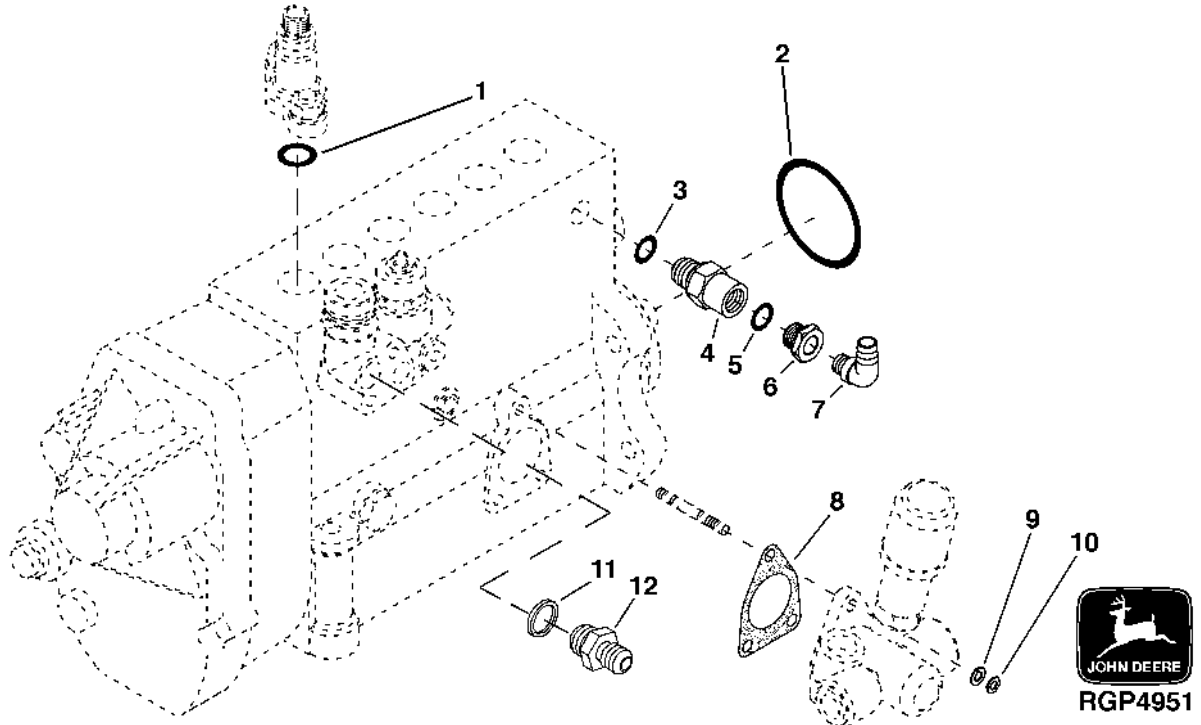
(A) "SEE YOUR AUTHORIZED PUMP REPAIR STATION FOR PARTS NOT LISTED"

1D24

ENGINE

FUEL INJECTION PUMP HOUSING CONNECTORS

RGP4951 -UN-25AUG97



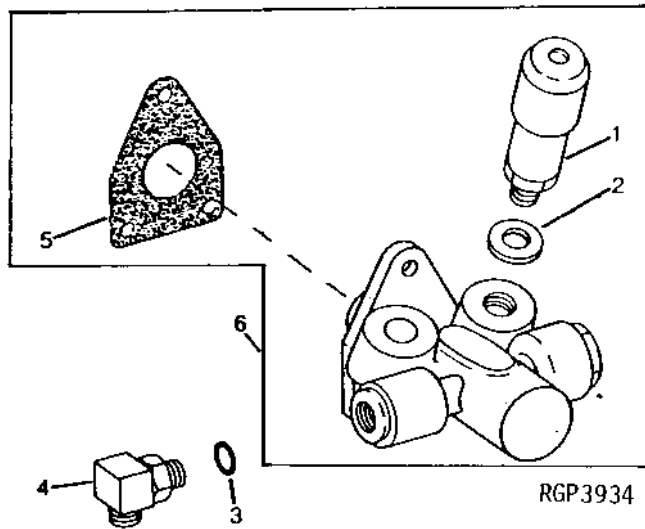
KEY	PART NO.	PART NAME	QTY	ENGINE SERIAL NO.	REMARKS
1	T24210	O-RING	6		
2	R53884	O-RING	1		
3	R53899	WASHER	1		
4	RE36151	CONTROL VALVE	1		
5	R53901	WASHER	1		
6	R63016	ADAPTER	1		
7	R67364	ELBOW FITTING	1		
8	R67879	GASKET	1		
9	12H296	WASHER	3	0.216"	
10	14M7297	NUT	3	M5	
11	R93008	WASHER	1		
12	R83489	FITTING	1		

1D25

ENGINE

FUEL TRANSFER PUMP (ROBERT BOSCH)

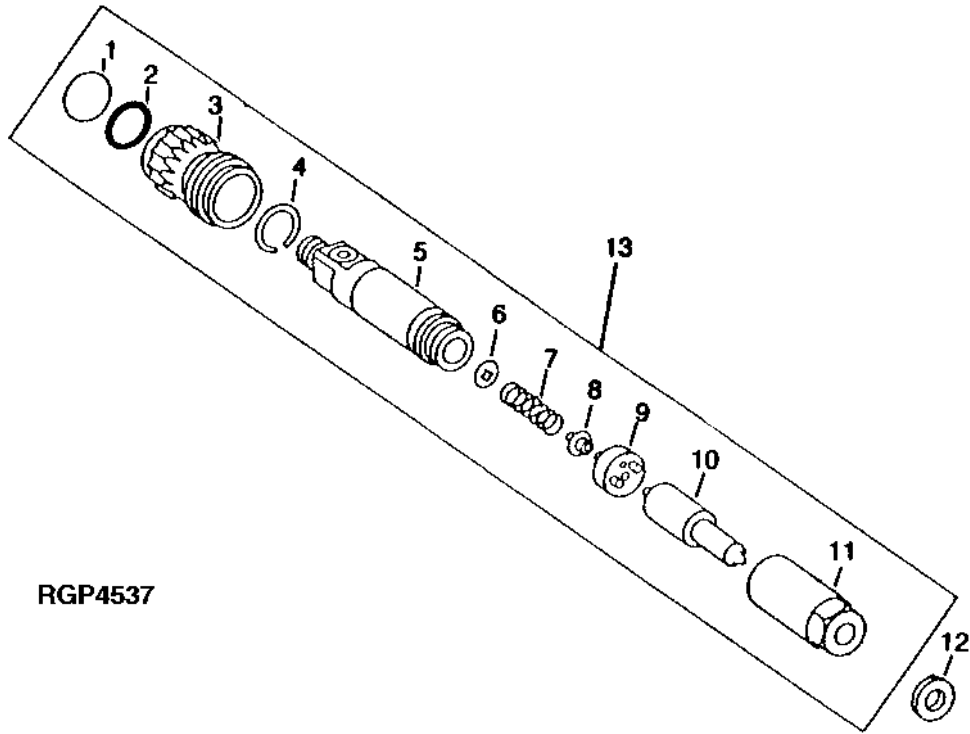
RGP3934 -UN-01JAN94



KEY	PART NO.	PART NAME	QTY	ENGINE SERIAL NO.	REMARKS
1	RE65265	HAND PRIMER	1		
2	R54025	WASHER	1		
3	R26448	O-RING	2		
4	RE10258	ELBOW FITTING	1		(OUTLET)
	RE34128	ELBOW FITTING	1		(INLET)
5	R67879	GASKET	1		
6	RE46375	FUEL PUMP	1		

FUEL INJECTION NOZZLE (ROBERT BOSCH)

RGP4537 -UN-30AUG95



RGF4537

KEY	PART NO.	PART NAME	QTY	ENGINE SERIAL NO.	REMARKS
1	R60277	SNAP RING	1		
2	O-RING	NA		
3	R60279	NUT	1		
4	R60278	SNAP RING	1		
5	NOZZLE HOLDER	1	(SUB RE57152)	
6	R83720	WASHER	1	1.02 MM (.0402")	
	R83721	WASHER	1	1.08 MM (.0425")	
	R83722	WASHER	1	1.12 MM (.0441")	
	R83723	WASHER	1	1.18 MM (.0465")	
	R83724	WASHER	1	1.22 MM (.0480")	
	R83725	WASHER	1	1.28 MM (.0504")	
	R83726	WASHER	1	1.30 MM (.0512")	
	R83727	WASHER	1	1.38 MM (.0543")	
	R83728	WASHER	1	1.42 MM (.0559")	
	R83729	WASHER	1	1.48 MM (.0583")	
	R83730	WASHER	1	1.50 MM (.0591")	
	R83731	WASHER	1	1.58 MM (.0622")	
	R83732	WASHER	1	1.60 MM (.0630")	
	R83733	WASHER	1	1.68 MM (.0661")	
	R83734	WASHER	1	1.70 MM (.0669")	
	R83735	WASHER	1	1.78 MM (.0701")	
	R83736	WASHER	1	1.82 MM (.0717")	
	R83737	WASHER	1	1.88 MM (.0740")	
	R83738	WASHER	1	1.90 MM (.0748")	
	R83739	WASHER	1	1.98 MM (.0780")	
7	R108699	SPRING	1		
8	R108700	SEAT	1		
9	R108701	PLATE	1		
10	RE57153	INJECTION NOZZLE	1	(7 X 0.236)	
11	R127181	NUT	1		
12	R84472	WASHER	1		
13	RE57152	INJECTION NOZZLE	6	(ROBERT BOSCH)	
	SE500182	INJECTION NOZZLE	6	(REMANUFACTURED)	

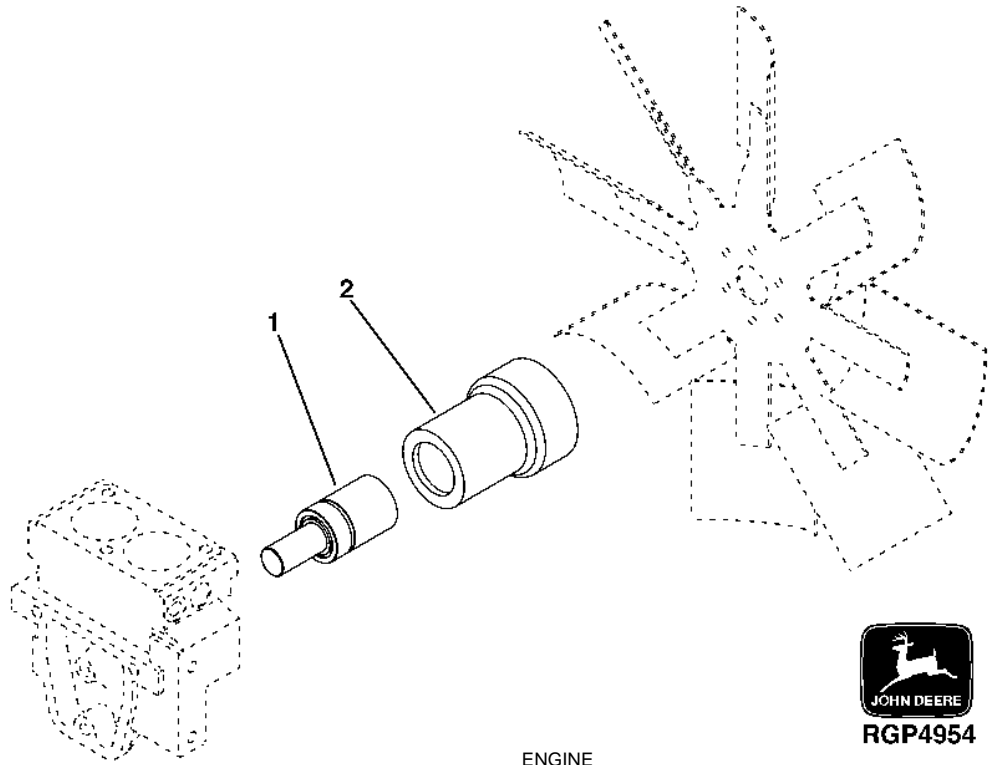
1E2

ENGINE

FAN DRIVE

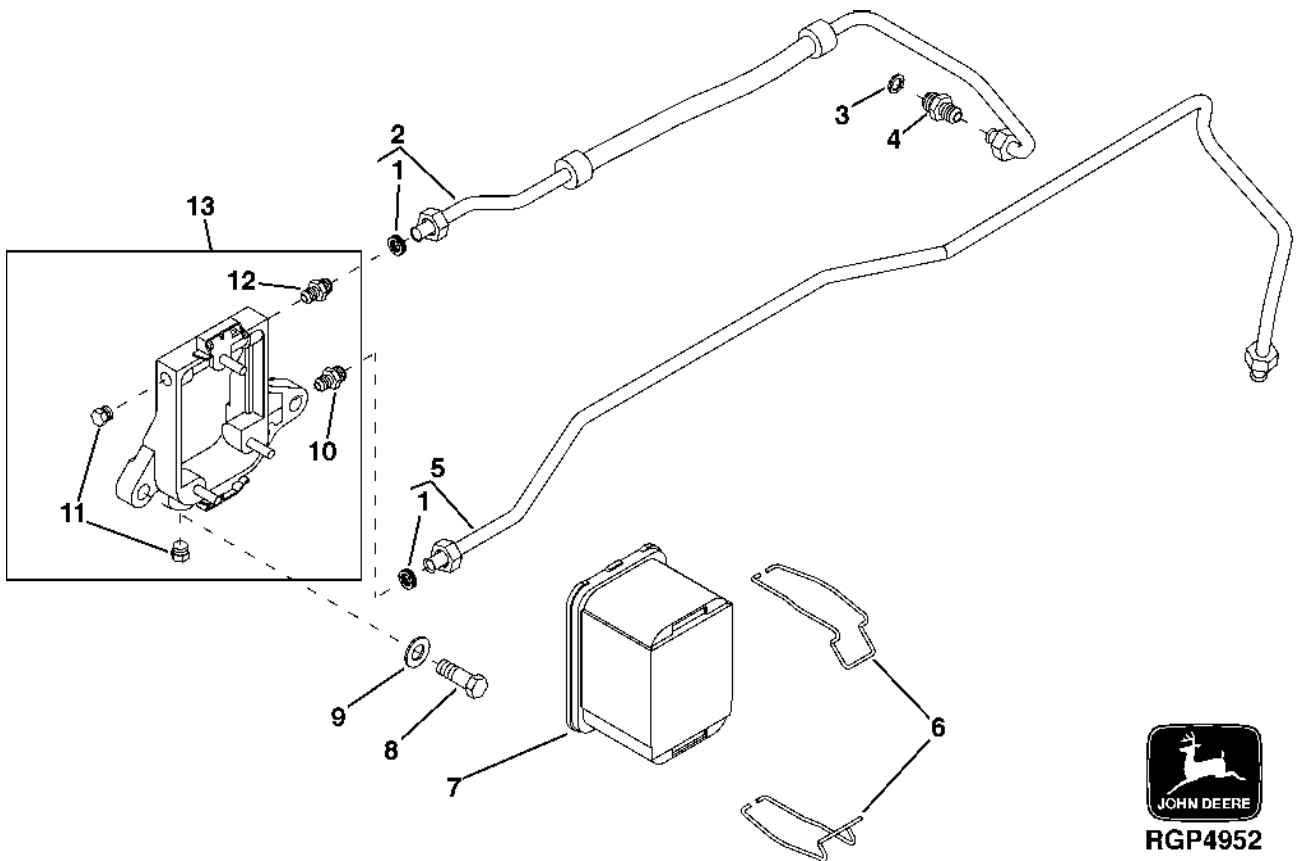
RGP4954

-UN-20AUG97



KEY	PART NO.	PART NAME	QTY	ENGINE SERIAL NO.	REMARKS
1	JD10058	BEARING	1		
2	R131949	HUB	1		

FUEL FILTER
RGP4952 -UN-22AUG97



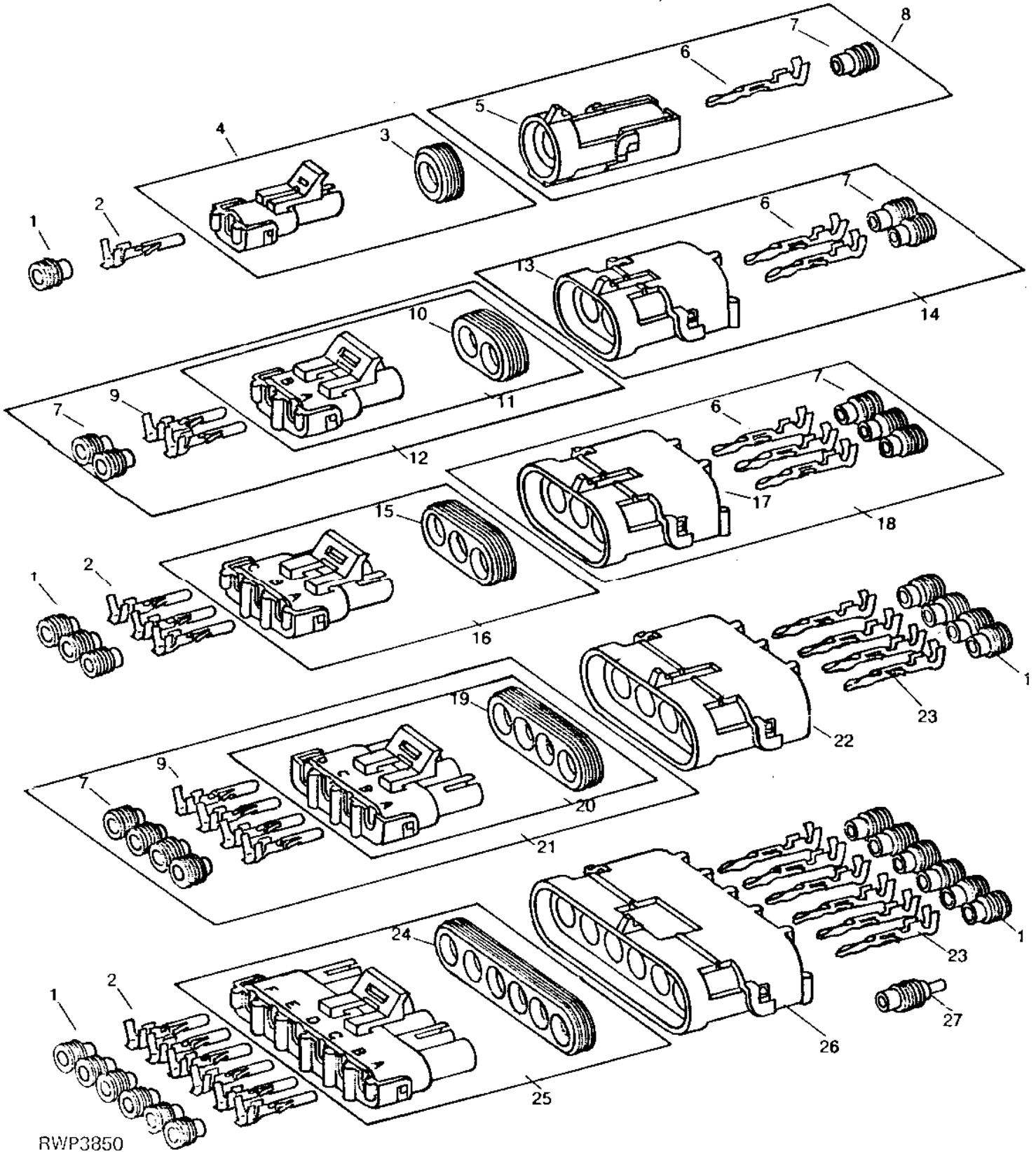
FUEL FILTER - CONTINUED

KEY	PART NO.	PART NAME	QTY	ENGINE SERIAL NO.	REMARKS
1	R67092	SEAL	2		
2	RE504139	FUEL LINE	1		(SUB FOR RE500280)
3	R93008	WASHER	1		
4	R83489	FITTING	1		
5	RE65787	FUEL LINE	1		
6	R89927	CLAMP	2		
7	AR86745	FILTER ELEMENT	1		
8	19H3104	CAP SCREW	2		7/16" X 1-1/4"
9	24H1325	WASHER	2		15/32" X 59/64" X 0.065"
10	RE54244	CHECK VALVE	1		
11	R119223	PLUG	2		
12	RE54245	FITTING	1		
13	RE61693	BASE	1		

1E5

ENGINE

WEATHERPACK TERMINALS AND CONNECTORS
RWP3850 -UN-01JAN94



WEATHERPACK TERMINALS AND CONNECTORS - CONTINUED

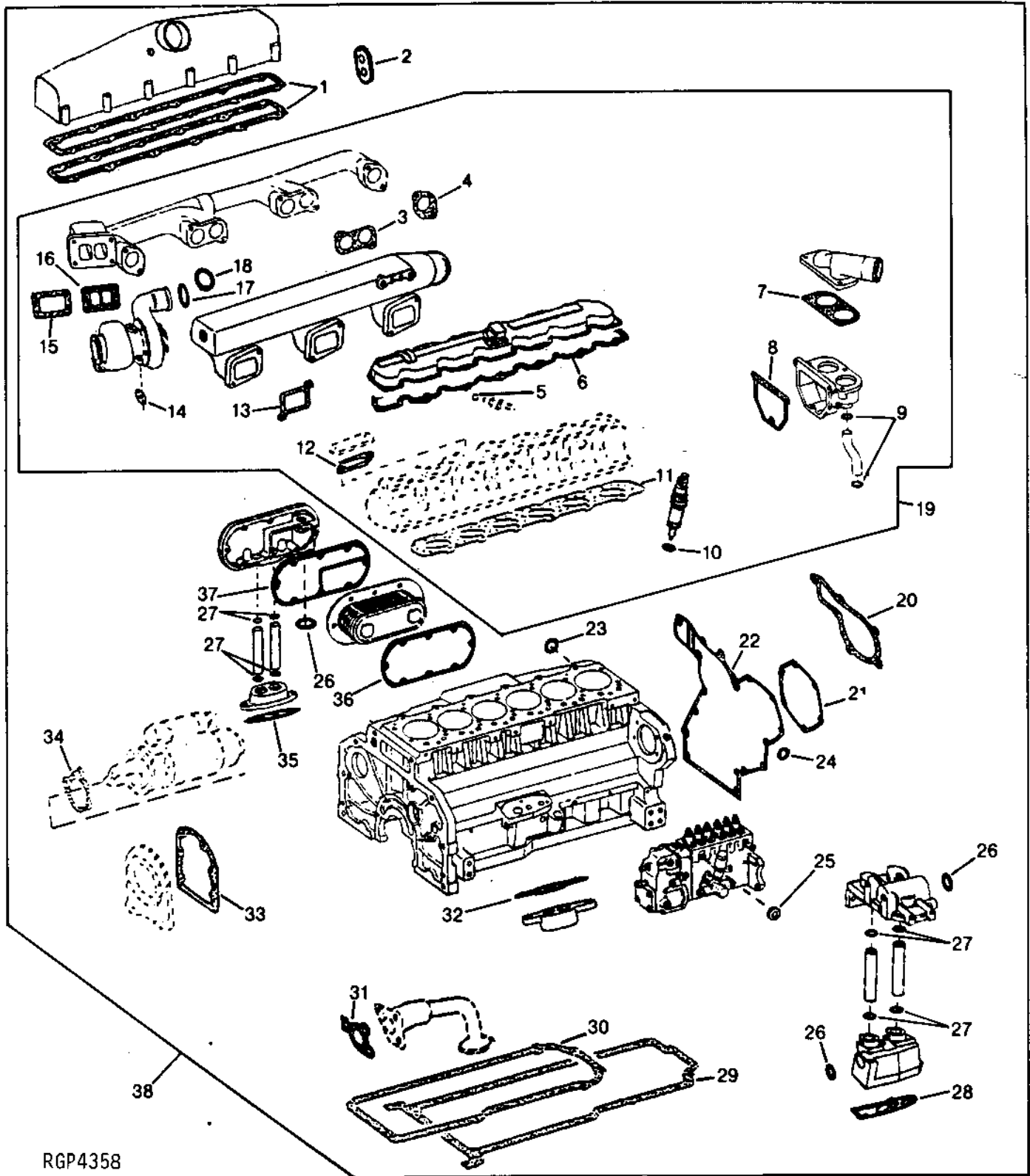
KEY	PART NO.	PART NAME	QTY	ENGINE SERIAL NO.	REMARKS
1	R78063	TERMINAL NIPPLE	1	(D) (16 GA. WIRE) (GRAY)	
	R78059	ELECTRICAL PLUG	1	(D) (18 OR 20 GA. WIRE) (GREEN)	
	R78062	TERMINAL NIPPLE	1	(D) (14 GA. WIRE) (BLUE)	
2	R78057	SOCKET CONTACT	1	(D) (18 OR 20 GA. WIRE) (NO. 19)	
	R78060	SOCKET CONTACT	1	(D) (14 OR 16 GA. WIRE) (NO. 15)	
3	R78047	SEAL	1	(C)	
4	RE12362	CONNECTOR	1	(B)	
5	R78052	PIN CONTACT CONNECTOR BODY	1	(B)	
6	R78061	PIN CONTACT	1	(D) (14 OR 16 GA. WIRE) (NO. 15)	
7	R78063	TERMINAL NIPPLE	1	(D) (16 GA. WIRE) (GRAY)	
8	RE12334	CONNECTOR	1		
9	R78060	SOCKET CONTACT	1	(D) (14 OR 16 GA. WIRE) (NO. 15)	
10	R78048	TERMINAL NIPPLE	1	(C)	
11	RE12363	CONNECTOR	1	(B)	
12	RE12331	CONNECTOR	1		
13	R78053	PIN CONTACT CONNECTOR BODY	1	(B)	
14	RE12330	CONNECTOR	1		
15	R78049	SEAL	1	(C)	
16	RE12364	SOCKET CONT.CONNECTOR BODY	1	(B)	
17	R78054	PIN CONTACT CONNECTOR BODY	1	(B)	
18	RE12332	CONNECTOR	1		
19	R78050	SEAL	1	(C)	
20	RE12365	CONNECTOR	1	(A)	
21	RE12333	CONNECTOR	1		
22	R78055	PIN CONTACT CONNECTOR BODY	1	(A)	
23	R78061	PIN CONTACT	1	(D) (14 OR 16 GA. WIRE) (NO. 15)	
	R78058	PIN CONTACT	1	(D) (18 OR 20 GA. WIRE) (NO. 19)	
24	R78051	SEAL	1	(C)	
25	RE12366	CONNECTOR	1	(A)	
26	R78056	PIN CONTACT CONNECTOR BODY	1	(A)	
27	R78064	ELECTRICAL PLUG	1	(D)	

- (A) PKG OF 2
- (B) PKG OF 3
- (C) PKG OF 5
- (D) PKG OF 40

1E7

ENGINE

ENGINE GASKET SET
RGP4358 -UN-17SEP99



RGP4358

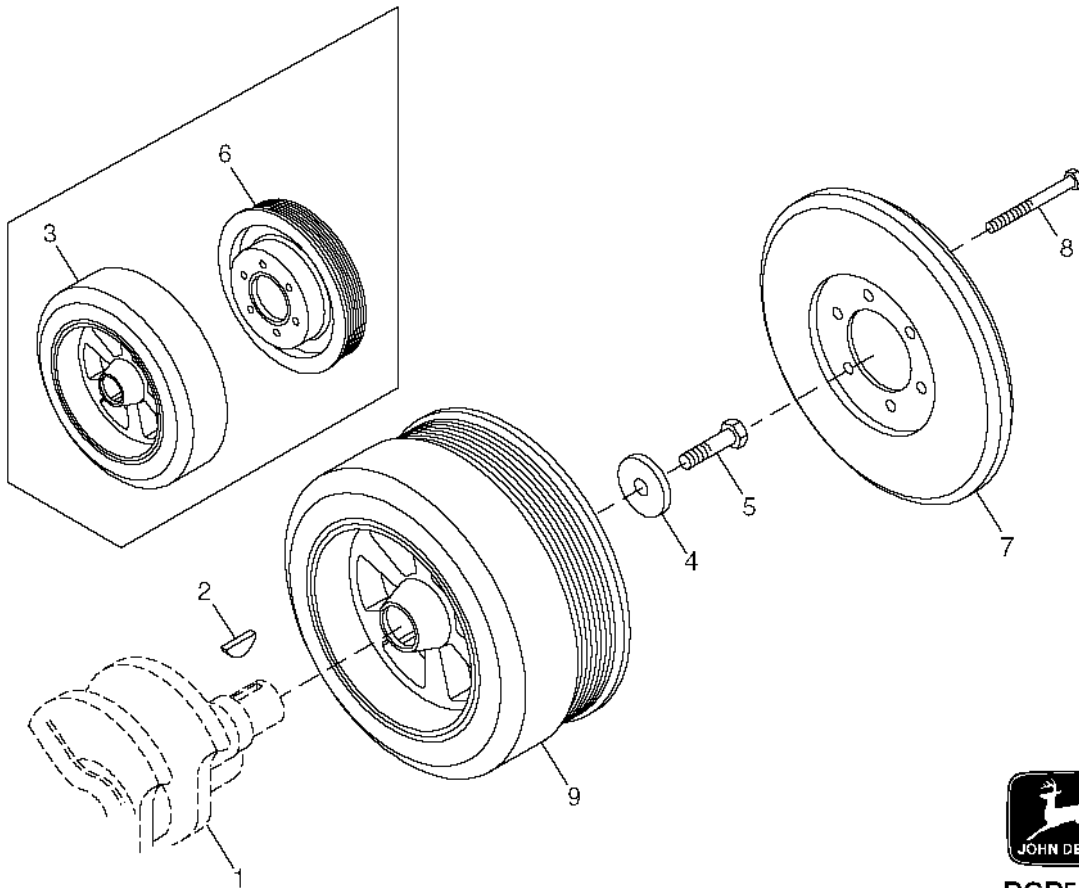
ENGINE GASKET SET - CONTINUED

KEY	PART NO.	PART NAME	QTY	ENGINE SERIAL NO.	REMARKS
1	R88993	GASKET	NA		
2	R100911	SEAL	NA		
3	RE62776	GASKET	2		
4	RE62777	GASKET	2		
5	R77551	O-RING	6		
6	R49866	GASKET	1		
7	R124607	GASKET	1		
8	R124211	GASKET	1		
9	R72328	O-RING	1		
10	R84472	WASHER	6		
11	RE55475	ENGINE CYLINDER HEAD GASKET	1		
12	R88397	GASKET	2		
13	R120646	GASKET	3		
14	R105346	GASKET	1		
15	R92097	GASKET	NA		
16	R89879	GASKET	1		
17	R86743	O-RING	1		
18	R50405	O-RING	NA		
19	RE57186	GASKET KIT	1		CYLINDER HEAD
20	R119383	GASKET	1		
21	R50390	GASKET	1		
22	R119384	GASKET	1		
23	U13639	O-RING	1		
24	R54856	O-RING	1		
25	R53899	WASHER	1		(USE WITH R83489)
26	U17409	O-RING	3		
27	R47153	O-RING	4		
28	R119847	GASKET	1		
29	GASKET	1		
30	R49377	GASKET	1		(USE WITH ALUMINIUM OIL PAN)
31	R100569	GASKET	1		
32	R109625	GASKET	1		
33	R26058	GASKET	1		
34	R53108	GASKET	1		
35	R50424	GASKET	1		
36	AR58952	GASKET	1		
37	R117060	GASKET	1		
38	RE57187	GASKET KIT	1		ENGINE REBUILD
..	R124030	GASKET	1		

1E9

ENGINE

CRANKSHAFT PULLEY
RGP5049 -UN-30JUN98



RGP5049

1E10

ENGINE

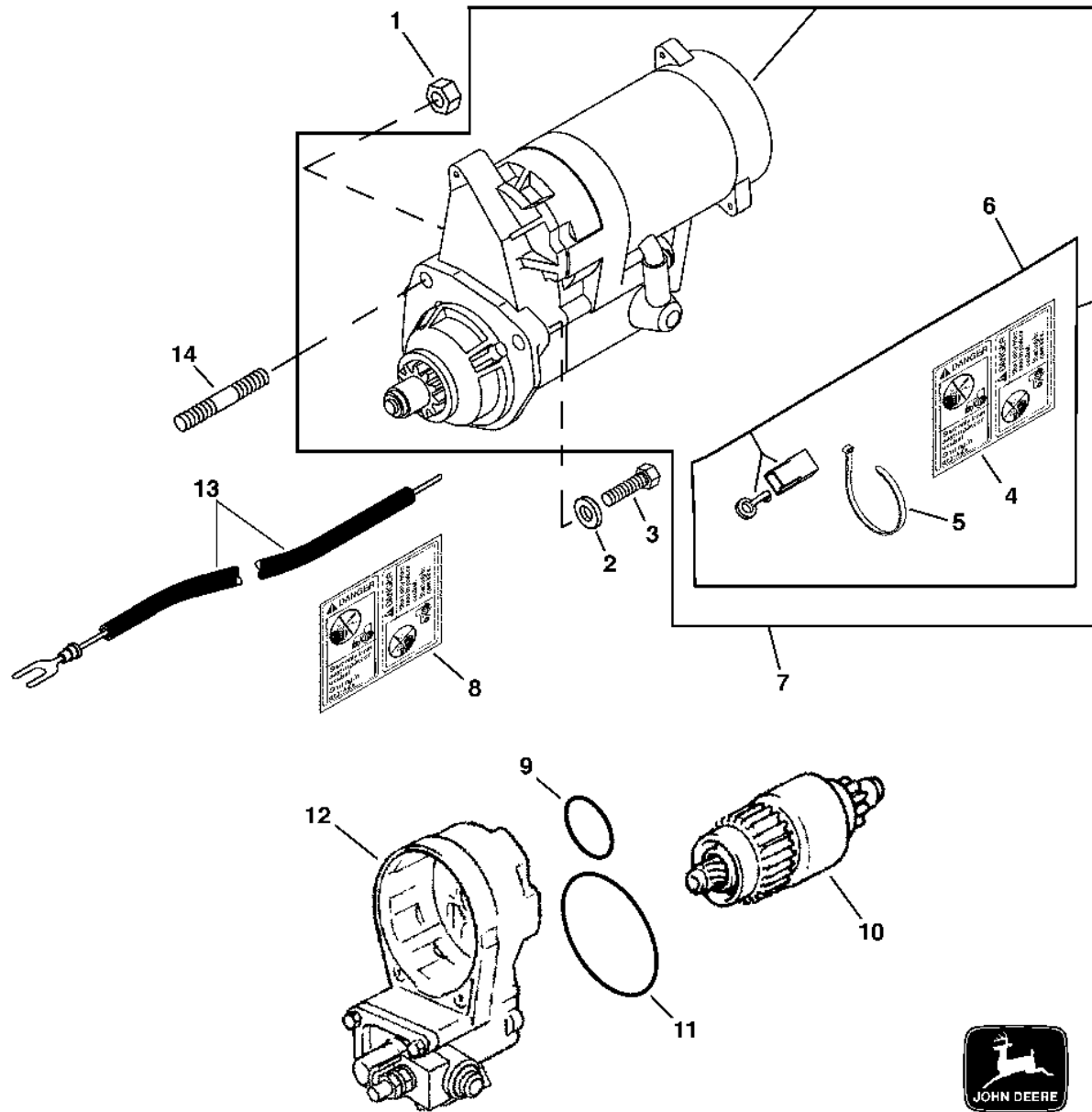
CRANKSHAFT PULLEY - CONTINUED

KEY	PART NO.	PART NAME	QTY	ENGINE SERIAL NO.	REMARKS
1	RE55522	CRANKSHAFT	1		
2	R116311	KEY	1		
3	RE57603	TORSIONAL DAMPENER	1	-039521	
4	R26333	WASHER	1		
5	R79846	CAP SCREW	1		
6	R135031	PULLEY	1	-039521	
7	RE57604	TORSIONAL DAMPENER	1		(FINS AWAY FROM ENGINE)
8	19H3175	CAP SCREW	6	-039521	3/8" X 3-5/8", (USE WITH R135031)
	19H3771	CAP SCREW	6	039522-	3/8" X 1", (USE WITH RE500934)
9	RE500934	TORSIONAL DAMPENER	1	039522-	

1E11

STARTING MOTOR (12-VOLT/42MT)

RGP4871 -UN-14MAR97



RGP4871

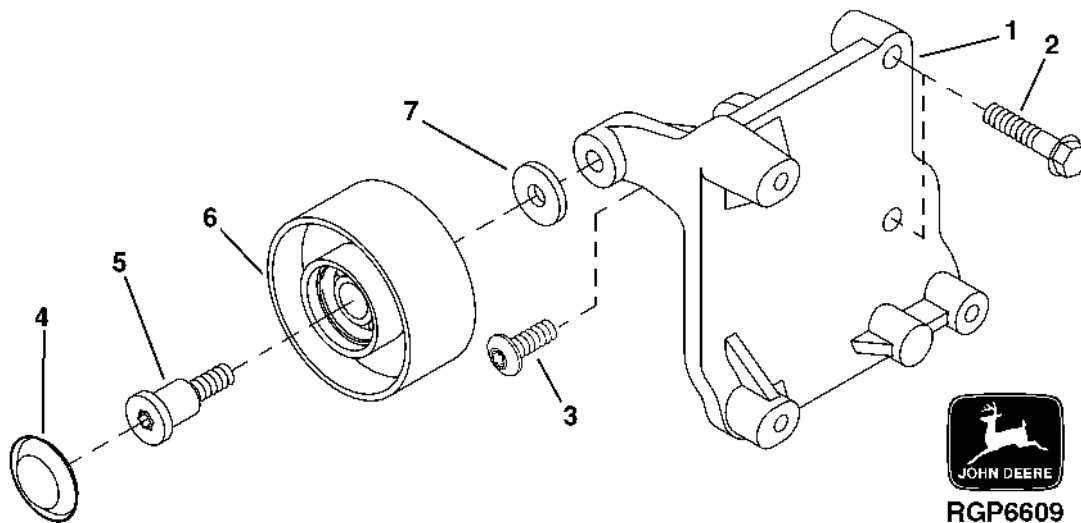
STARTING MOTOR (12-VOLT/42 MT) - CONTINUED

KEY	PART NO.	PART NAME	QTY	ENGINE SERIAL NO.	REMARKS
1	E55662	FLANGE NUT	1		
2	24H1303	WASHER	2	13/32" X 11/16" X 0.065"	
3	19H3219	CAP SCREW	2	3/8" X 1-3/8"	
4	T146102	LABEL	1	(ENGLISH)	
5	R96703	TIE BAND	1		
6	RE70756	KIT	1		
7	RE70957	STARTER MOTOR KIT	1	(MARKED RE69704) (ND228000-6530)	
8	T146517	SAFETY SIGN	1	(SPANISH)	
	T146104	SAFETY SIGN	1	(FRENCH)	
	T146515	SAFETY SIGN	1	(GERMAN)	
	T146516	SAFETY SIGN	1	(ITALIAN)	
	T146517	SAFETY SIGN	1	(ENGLISH-FRENCH)	
9	R135510	O-RING	1		
10	RE70487	CLUTCH	1		
11	R135509	SEAL	1		
12	RE70486	SWITCH	1		
13	AH155483	WIRING LEAD	1		
14	R114130	STUD	1		

1E13

ENGINE

AIR CONDITIONER SUPPORT
RGP6609 -UN-28APR00

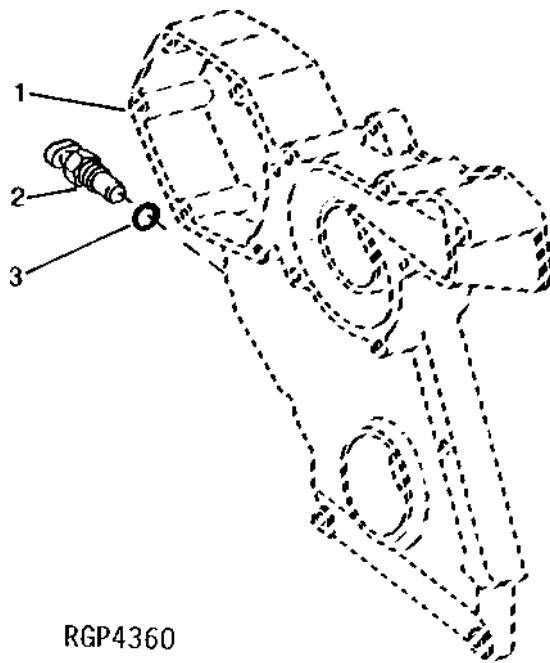


KEY	PART NO.	PART NAME	QTY	ENGINE SERIAL NO.	REMARKS
1	R135728	SUPPORT	1		
2	19H3772	CAP SCREW	2	3/8" X 1-3/4"	
3	R124963	SCREW	1		
4	R99590	COVER	1		
5	R128893	BOLT	1		
6	RE155577	PULLEY	1	(SUB FOR RE38503 AND RE68714)	
7	R53436	WASHER	1		

1E14

ENGINE

MAGNETIC PICK-UP
RGP4360 -UN-01JAN94



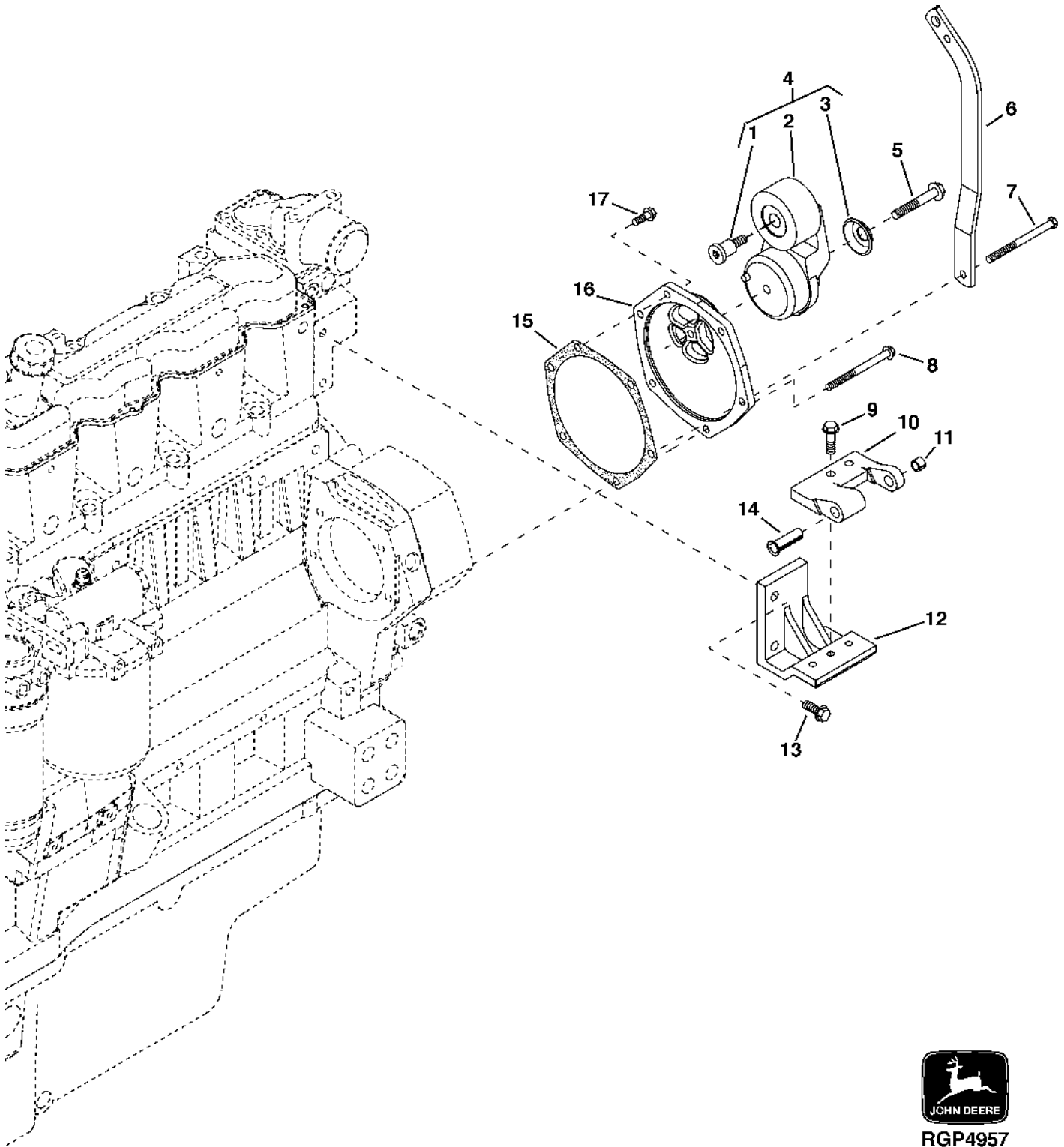
RGP4360

KEY	PART NO.	PART NAME	QTY	ENGINE SERIAL NO.	REMARKS
1	COVER	1		
2	RE71121	SENSOR	1		
3	51M7044	O-RING	1	17.300 X 2.200 MM	

1E15

ENGINE

ALTERNATOR BRACKETS
RGP4957 -UN-22AUG97



RGP4957

1E16

ENGINE

ALTERNATOR BRACKETS - CONTINUED

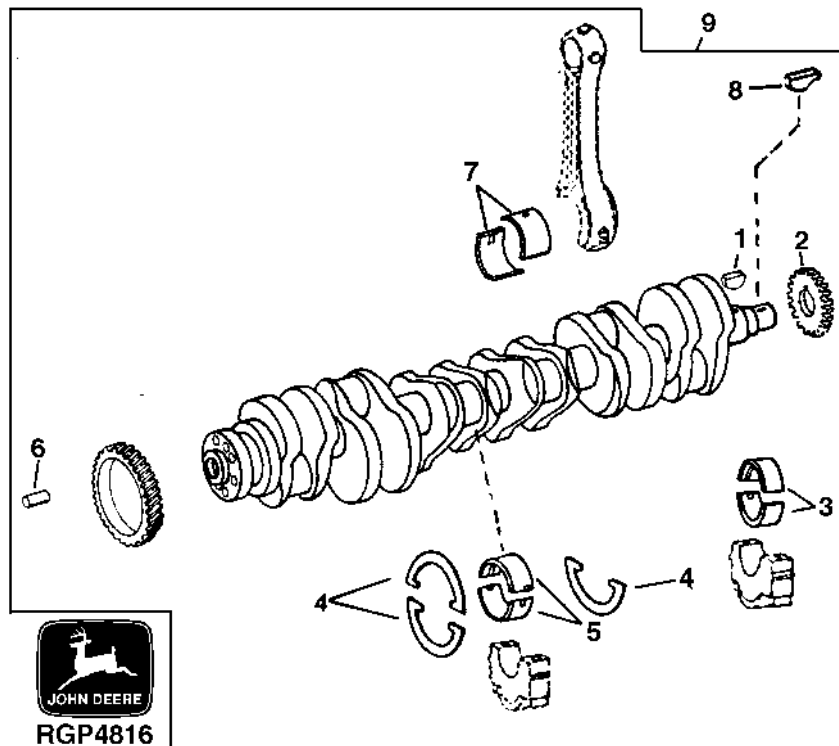
KEY	PART NO.	PART NAME	QTY	ENGINE SERIAL NO.	REMARKS
1	R98250	BOLT	1		
2	RE68722	PULLEY	1		
3	R114837	DUST SHIELD	1		
4	RE68715	TIGHTENER	1		
5	19M7810	SCREW	1	M10 X 80	
6	R500413	STRAP	1		
7	19H2852	CAP SCREW	1	5/16" X 4"	
8	19H3300	CAP SCREW	4		
	24H1136	WASHER	1		
9	19H3693	CAP SCREW	1	3/8" X 1-1/4"	
10	R131003	BRACKET	1		
11	R135423	BUSHING	1		
12	R131002	SUPPORT	1		
13	19H3771	CAP SCREW	2	3/8" X 1"	
14	R134010	BUSHING	1		
15	R50390	GASKET	1		
16	R131890	COVER	1		
17	R112268	CAP SCREW	1		

1E17

ENGINE

UNDERSIZE MAIN BEARING CRANKSHAFT AND BEARING KIT

RGP4816 -UN-21OCT96



KEY	PART NO.	PART NAME	QTY	ENGINE SERIAL NO.	REMARKS
1	R120752	KEY	1	1/8" X 0.625"	
2	R104587	GEAR	1		
3	RE57172	BEARING	6	.292 MM (.011") US (PKG R121342 AND, R121346)	
4	RE61851	THRUST WASHER	1	0.18MM (.007") OS FLANGE (PKG (3) R124842)	
5	RE57177	THRUST BEARING	1	.292 MM (.011") US (PKG R121350 AND, R121354)	
6	R41934	DOWEL PIN	1		
7	R116081	BEARING	6	STD	
8	R116311	KEY	1		
9	RE61268	CRANKSHAFT	1	(MARKED R122654 OR RE58781)	

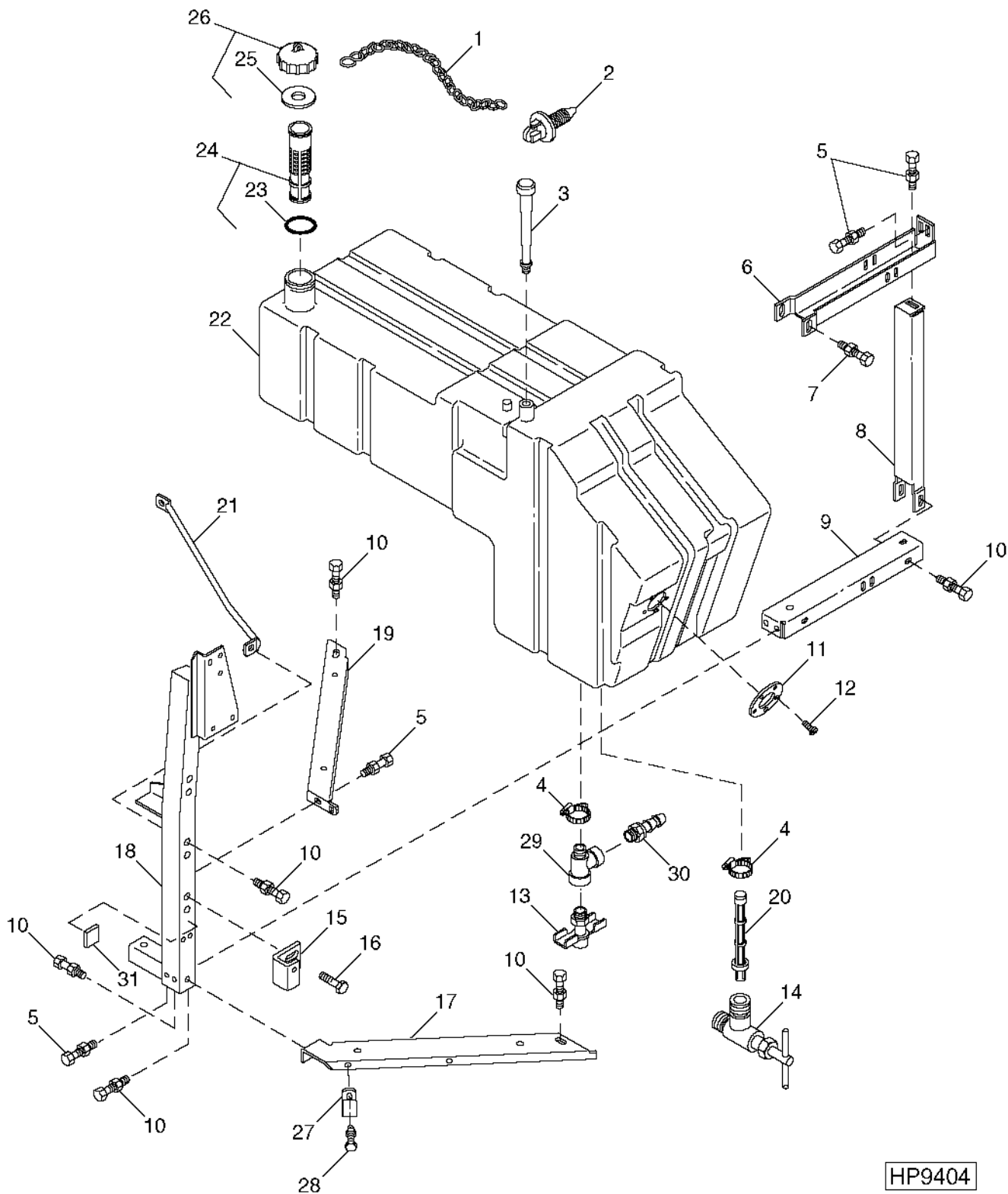
MEMORANDA

1E19

FUEL AND AIR

FUEL TANK, SUPPORTS, AND FITTINGS

HP9404 -UN-06JAN00



HP9404

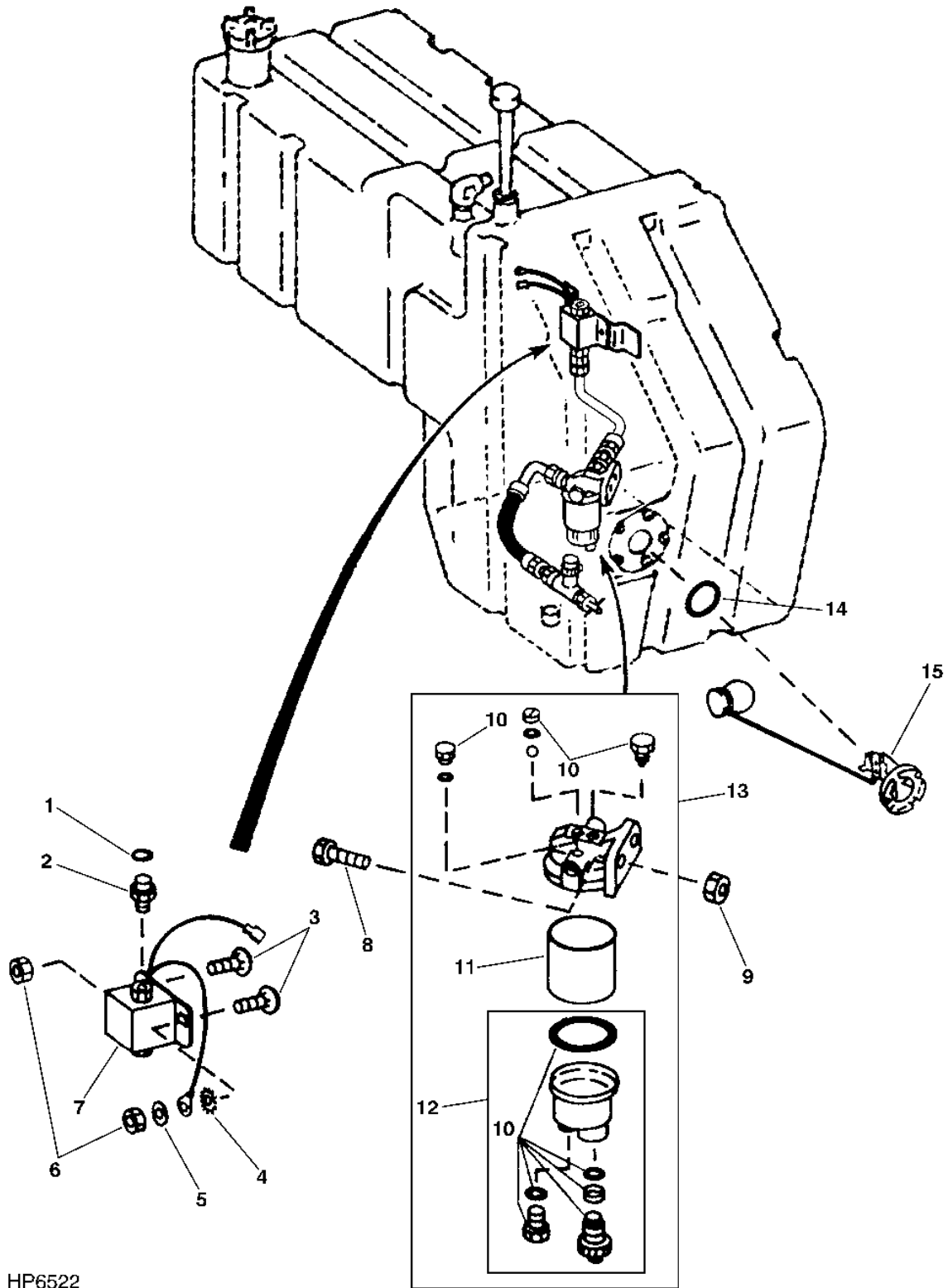
FUEL TANK, SUPPORTS, AND FITTINGS - CONTINUED

KEY	PART NO.	PART NAME	QTY	SERIAL NO.	REMARKS
1	AH132814	LINK CHAIN	1		
2	H99897	RETAINER	1		
3	AH116123	BREATHER	1		
4	AT18904	CLAMP	2		
5	19M7785	SCREW	5	M10 X 25	
	14M7400	LOCK NUT	5	M10	
6	H169794	CHANNEL	1		(SUB FOR H134299)
7	19M7812	SCREW	1	M10 X 100	
	14M7400	LOCK NUT	1	M10	
	H77507	WASHER	1		10.312 X 38.100 X 7.925 MM
8	H134298	CHANNEL	1		
9	H169793	CHANNEL	1		(SUB FOR H134297)
10	19M7785	SCREW	10	M10 X 25	
	14M7400	LOCK NUT	10	M10	
11	H134396	WASHER	1		
12	19H2925	SCREW	5	1/4" X 1/2"	
13	AT13740	DRAIN VALVE	1		(USE WITH T17568 TEE AND U42355 CONNECTOR)
14	AH129056	VALVE	1		
15	H143420	STOP	1		
16	37M7058	SCREW	2	M8 X 20	
17	AH135191	CHANNEL	1		(INCLUDES (2) AH114109)
18	AH137254	SUPPORT	1		
19	AH136147	CHANNEL	1		(USE WITH (3) H64612) REAR
20	AH106982	SCREEN	1		
21	H129839	BRACE	1		
22	AH146621	FUEL TANK	1		(USE WITH TY22418 HOSE, U42355 TEE AND T17568 CONNECTOR)
23	H147415	O-RING	1		69.220 X 5.330MM (2.725" X 0.210")
24	AH162914	STRAINER	1		(SUB FOR AH135155)
25	H148166	WASHER	1		29 X 85 X 3.175 MM (1.142" X 3.346 X 1/8")
26	AH141823	FILLER CAP	1		(INCLUDES H148166)
27	T28949	CLAMP	1		
28	19M7862	SCREW	1	M6 X 20	
	14M7303	FLANGE NUT	1	M6	
29	T17568	TEE FITTING	1		
30	U42355	FITTING	1		
31	H145706	LABEL	1		FILL HOSE

1E21

ELECTRIC FUEL PUMP, WATER SEPARATOR AND FUEL FLOAT

HP6522 -UN-15JUL96



HP6522

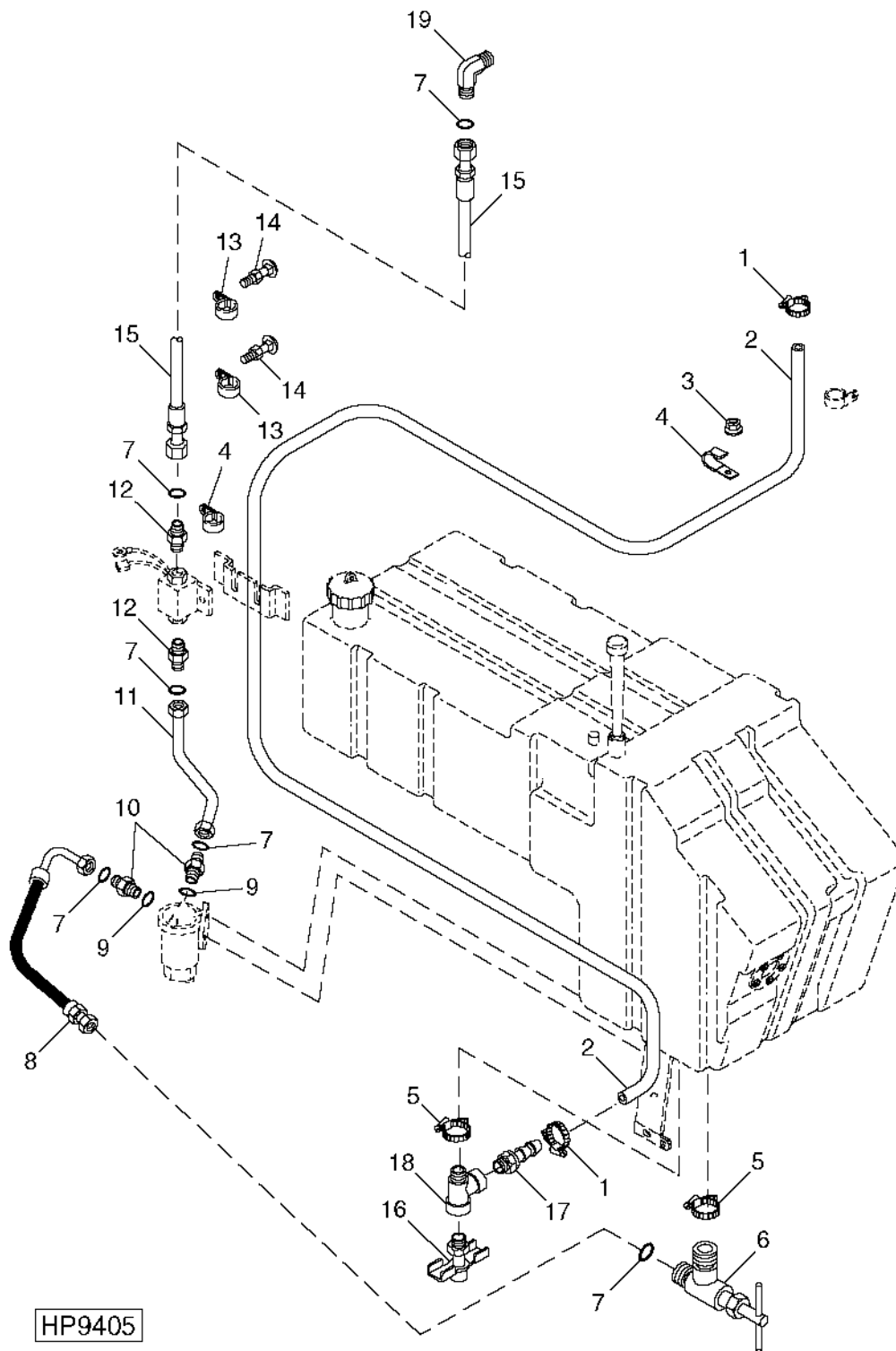
ELECTRIC FUEL PUMP, WATER SEPARATOR AND FUEL FLOAT - CONTINUED

KEY	PART NO.	PART NAME	QTY	SERIAL NO.	REMARKS
1	T77613	O-RING	2		
2	H127578	ADAPTER	2		
3	03M7221	BOLT	2	M6 X 16	
4	12M7081	LOCK WASHER	1	6.400 MM, EXTERNAL TOOTH	
5	24H1287	WASHER	1	9/32" X 5/8" X 0.065"	
6	14M7303	FLANGE NUT	2	M6	
7	AH130127	PUMP	1		
8	19M7786	SCREW	2	M10 X 30	
9	14M7296	FLANGE NUT	2	M10	
10	AT81477	KIT	1		
11	AT81478	FILTER ELEMENT	1		
12	AT81476	KIT	1		
13	AT81268	SEPARATOR	1		
14	H149454	PACKING	1		
15	AH143036	SENSOR	1		

1E23

TANK FUEL LINES AND FITTINGS

HP9405 -UN-10JAN00

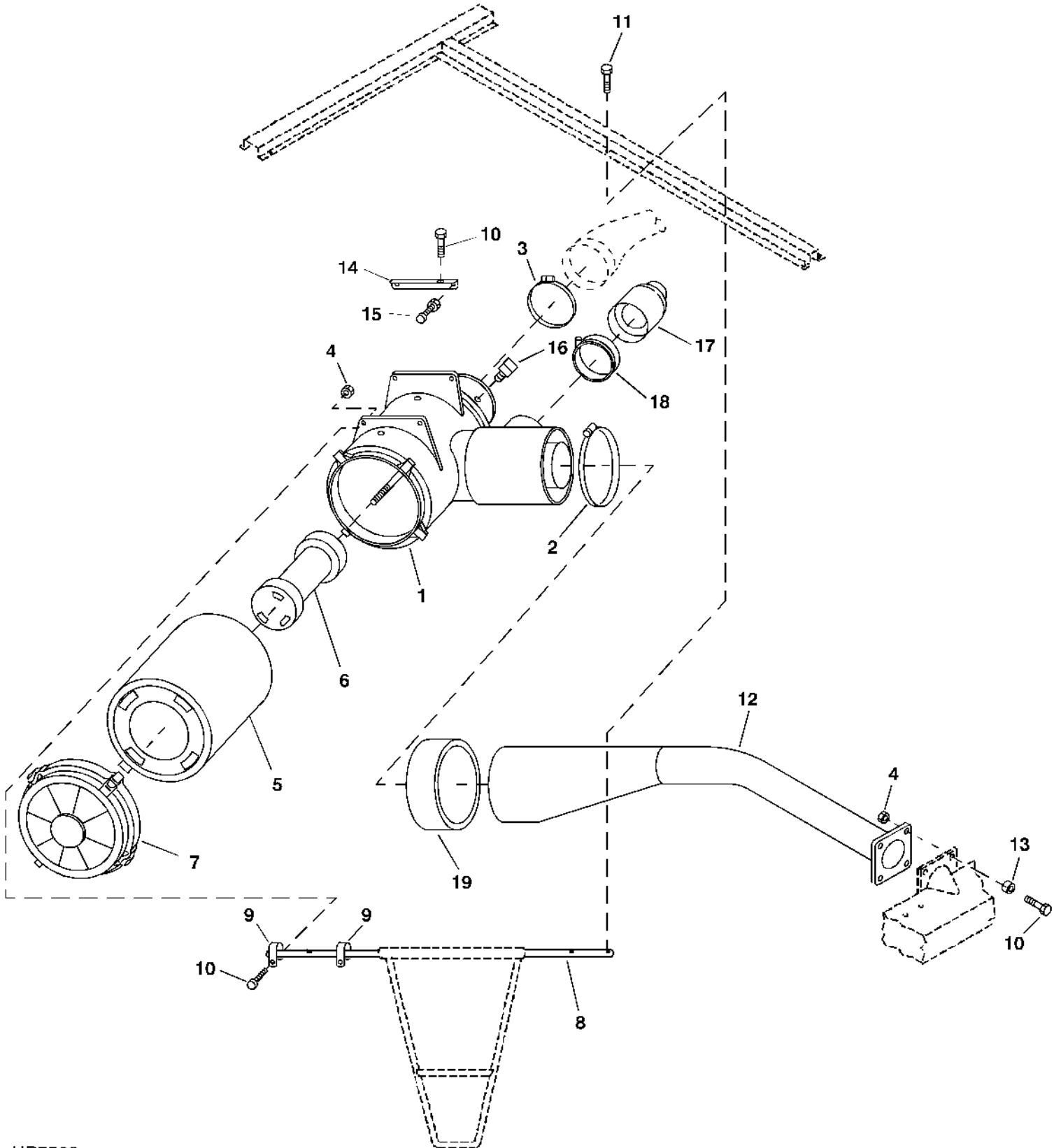


TANK FUEL LINES AND FITTINGS - CONTINUED

KEY	PART NO.	PART NAME	QTY	SERIAL NO.	REMARKS
1	TY22462	CLAMP	2		
2	TY22418	BULK HOSE	1		(CUT TO 2920 MM (115 IN.) RETURN
3	14M7298	FLANGE NUT	1		M8
4	AH77869	CLIP	2		
5	AT18904	CLAMP	1		
6	AH129056	VALVE	1		
7	T77613	O-RING	7		
8	AH129058	HYDRAULIC HOSE	1		INLET
9	R26448	O-RING	2		
10	38H1160	ADAPTER	2		
11	AH136146	LINE	1		SUCTION
12	H127578	ADAPTER	2		
13	AH90990	CLIP	2		
14	03M7183	BOLT	1		M8 X 16
	14M7298	FLANGE NUT	1		M8
15	AH146788	HYDRAULIC HOSE	1		R.H. SIDE
16	AT13740	DRAIN VALVE	1		
17	U42355	FITTING	1		
18	T17568	TEE FITTING	1		
19	T28860	ELBOW FITTING	1		

1F1

AIR CLEANER AND INTAKE TUBES
HP7523 -UN-06MAY98



HP7523

1F2

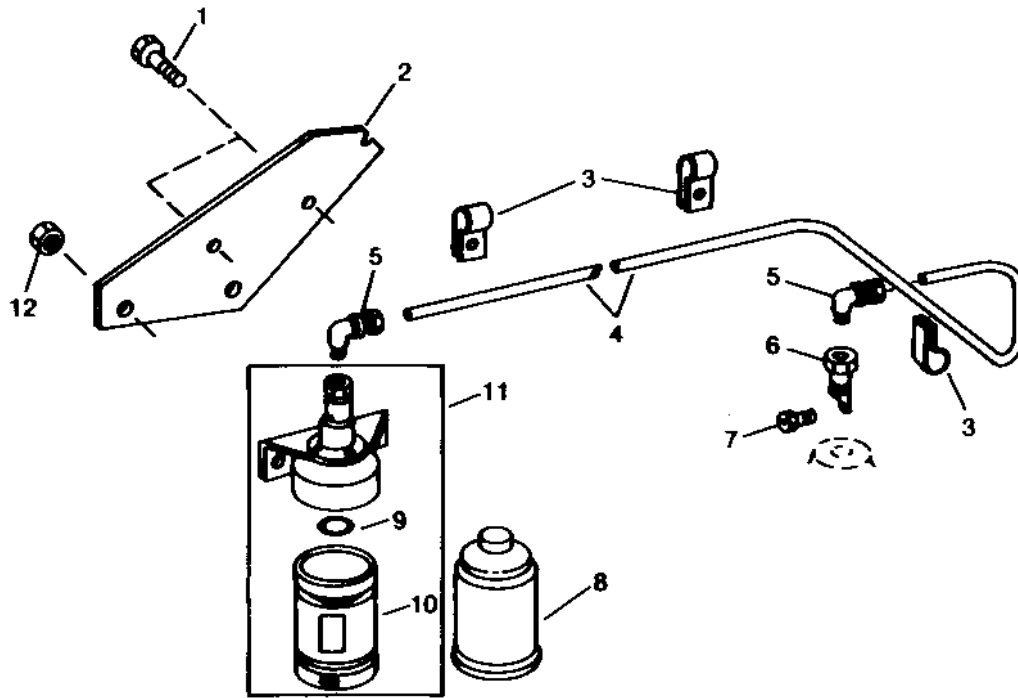
FUEL AND AIR

AIR CLEANER AND INTAKE TUBES - CONTINUED

KEY	PART NO.	PART NAME	QTY	SERIAL NO.	REMARKS
1	AH148879	AIR CLEANER	1		
2	AH130230	HOSE CLAMP	1		
3	AC15595	CLAMP	2		
4	14M7298	FLANGE NUT	10		M8
5	AH148880	FILTER ELEMENT	1		
6	RE63932	FILTER ELEMENT	1		
7	AH157555	COVER	1		
8	H135147	TUBE	1		
9	H157866	CLAMP	2		
10	19M8318	SCREW	6		M8 X 45
11	19M8290	SCREW	3		M6 X 35
12	AH141625	AIR DUCT	1	-680561	
	AH163594	AIR DUCT	1	680562-	
13	H148776	SPACER	4		
14	AH158321	BRACKET	1		
15	19M7786	SCREW	2		M10 X 30
	14M7296	FLANGE NUT	2		M10
16	H164849	ELBOW FITTING	1		
17	AH158673	CHECK VALVE	1		
18	AN130930	HOSE CLAMP	1		
19	H164771	SLEEVE	1		

1F3

COLD WEATHER STARTING AID
HP5856 -UN-15OCT94



HP5856

1F4

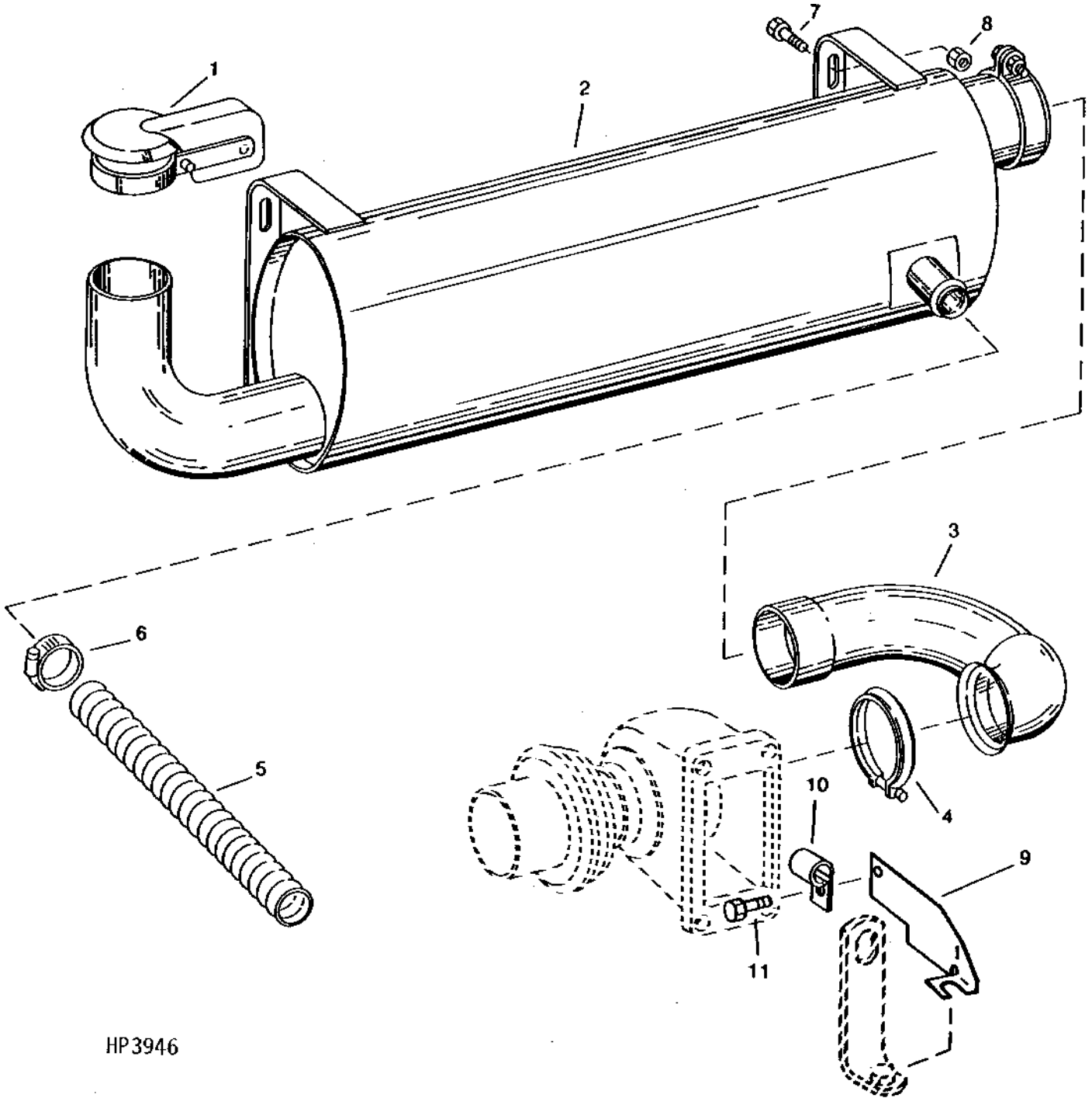
COLD WEATHER STARTING AID - CONTINUED

KEY	PART NO.	PART NAME	QTY	SERIAL NO.	REMARKS
1	19M7774	SCREW	AR		M6 X 12
2	H134300	SUPPORT	1	-12AP99	
	H170303	COVER	1	13AP99-	
3	T32231	CLAMP	4		
4	LINE	1		(CUT FROM H86108) 57 IN.
5	RE21790	ELBOW FITTING	2		
6	R47160	NOZZLE HOLDER	1		
7	R28583	NOZZLE	1		
8	RE33636	STARTING FLUID	1		
9	T13119	O-RING	1		18.720 X 2.616 MM (0.737" X 0.103")
	T15712	O-RING	1		12.421 X 1.778 MM (0.489" X 0.070")
10	R73498	CONTAINER	1		
11	RE48310	STARTING AID SOLENOID	1		
	RE48321	ADAPTER	1		
12	14M7298	FLANGE NUT	2	M8	

1F5

FUEL AND AIR

MUFFLER AND EXHAUST PIPE
HP3946 -UN-01JAN94



HP3946

1F6

FUEL AND AIR

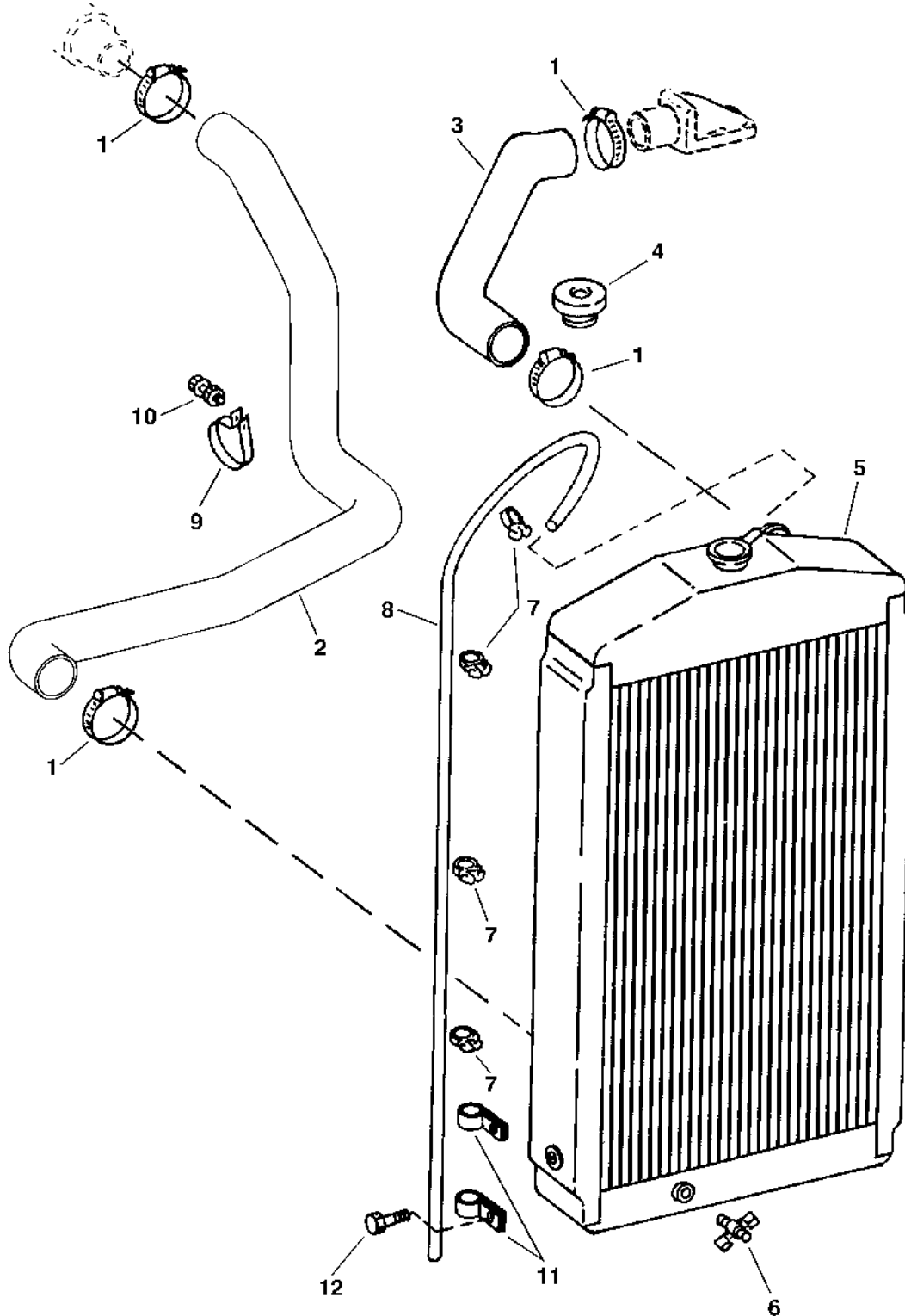
MUFFLER AND EXHAUST PIPE - CONTINUED

KEY	PART NO.	PART NAME	QTY	SERIAL NO.	REMARKS
1	AR86603	CAP	1		
	AT74407	EXHAUST CAP	1		(USE WITH AH161463)
2	AH148289	MUFFLER	1		(SUB AH161463) (ALSO ORDER AT74407)
	AH161463	MUFFLER	1		
3	AH128977	EXHAUST PIPE	1		
4	RE40048	CLAMP	1		
5	H134117	HOSE	1		
6	TY22470	CLAMP	1		
7	19M7868	SCREW	4		M8 X 30
8	14M7298	FLANGE NUT	4		M8
9	H144260	SHIELD	1		
10	AH96317	CLIP	1		
11	37M7083	SCREW	1		M8 X 12

1F7

FUEL AND AIR

RADIATOR AND HOSES
HP6968 -UN-27OCT97



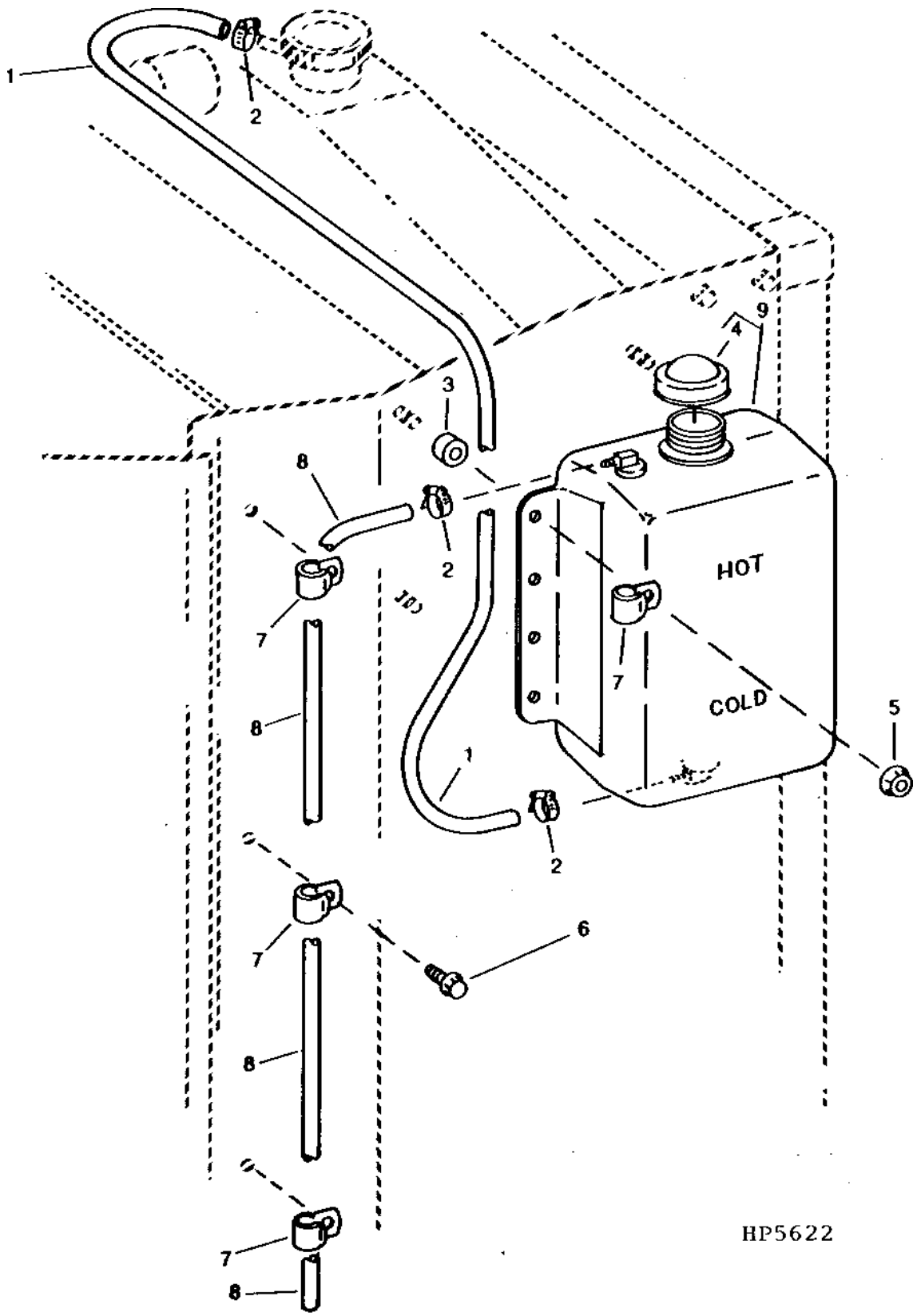
HP6968

RADIATOR AND HOSES - CONTINUED

KEY	PART NO.	PART NAME	QTY	SERIAL NO.	REMARKS
1	AR21999	HOSE CLAMP	4		
2	AH160197	RADIATOR HOSE	1		(SUB FOR AH151758)
3	AH140930	HOSE	1		
4	AH148649	FILLER CAP	1		
5	AH144719	RADIATOR	1		
6	AT13740	DRAIN VALVE	1		
7	H145832	CLAMP	4		
8	H147068	HOSE	1		
9	H123297	CLAMP	1		
10	19M7873	SCREW	1		M8 X 110
	14M7298	FLANGE NUT	1		M8
11	H75541	CLAMP	2		
12	37M7083	SCREW	2		M8 X 12
..	H166395	SEAL	AR	675772-	

1F9

COOLANT RECOVERY TANK
HP5622 -UN-01JAN94



HP5622

1F10

FUEL AND AIR

COOLANT RECOVERY TANK - CONTINUED

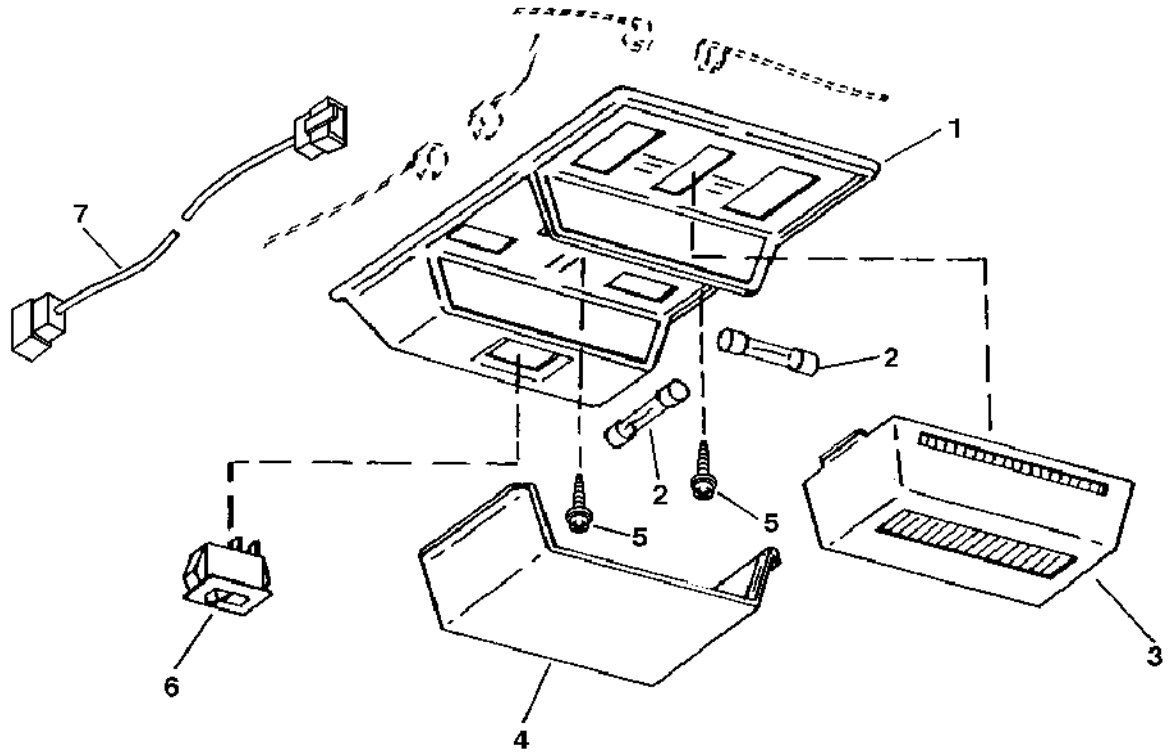
KEY	PART NO.	PART NAME	QTY	SERIAL NO.	REMARKS
1	TY22566	HOSE	1		
2	TY22462	CLAMP	3		
3	M78494	SPACER	4		
4	AT106413	CAP	1		
5	14M7298	FLANGE NUT	4	M8	
6	19M7865	SCREW	3	M8 X 16	
7	AH89557	CLIP	4		
8	H147068	HOSE	1		
9	AT162597	TANK	1		

MEMORANDA

1F14

ELECTRICAL

CAB DOME LIGHT
 HP6762 -UN-18AUG97



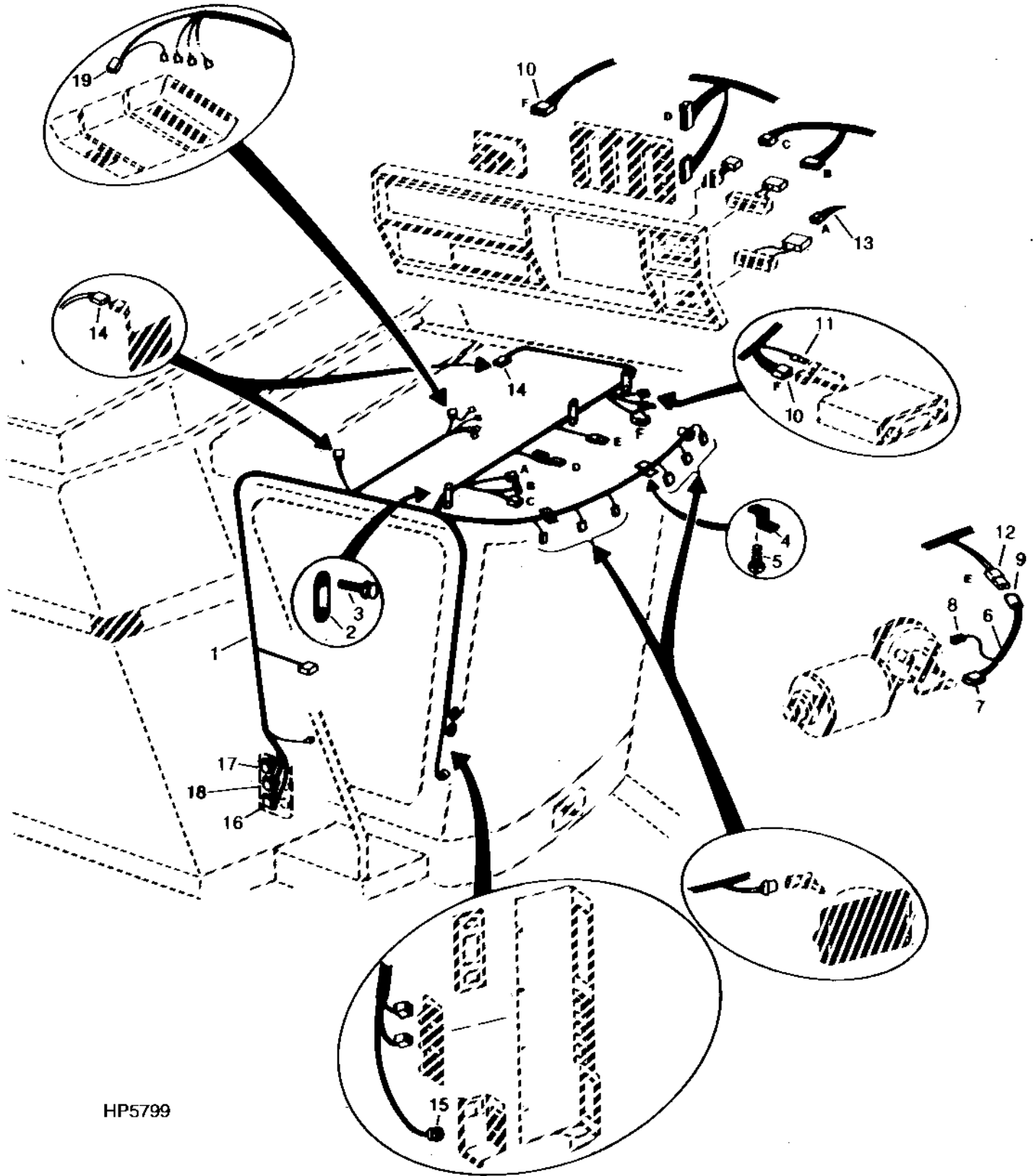
HP6762

KEY	PART NO.	PART NAME	QTY	SERIAL NO.	REMARKS
1	H159831	BASE	1	-28SEP8	
	H168419	BASE	1	28SEP8-	
2	57M7173	BULB	2		
3	AH153626	COVER	1	-28SEP8	
	AH161919	COVER	1	28SEP8-	
4	H131982	LENS	1		
5	H123995	SCREW	2		
6	AH153910	SWITCH	1		
7	AH154151	WIRING HARNESS	1		

1F15

ELECTRICAL

CAB WIRING HARNESS
HP5799 -UN-15OCT94



HP5799

1F16

ELECTRICAL

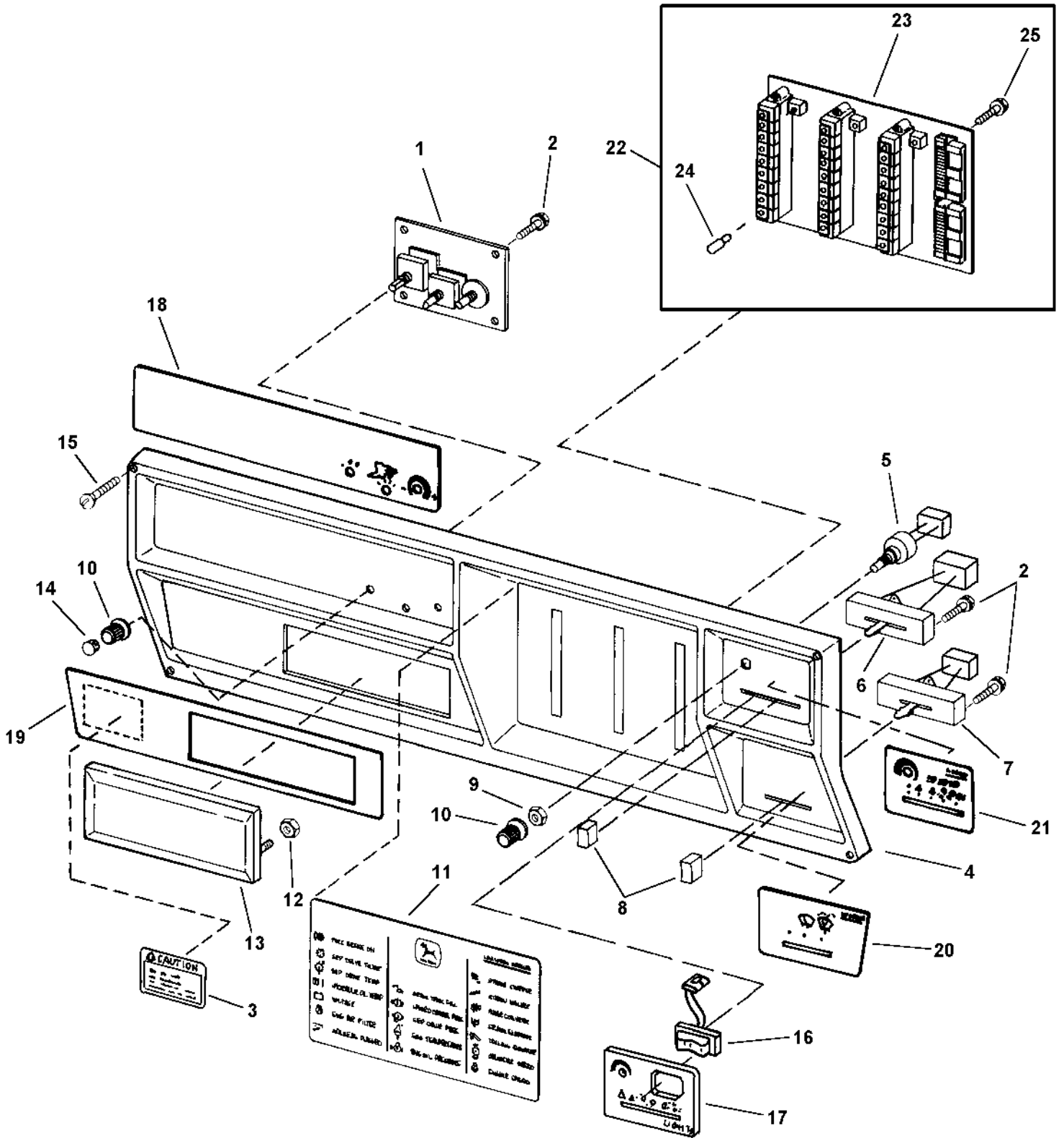
CAB WIRING HARNESS - CONTINUED

KEY	PART NO.	PART NAME	QTY	SERIAL NO.	REMARKS
1	AH154831	WIRING HARNESS	1	-680400	
	AH163345	WIRING HARNESS	1	680401-	
2	H129440	STRAP	3		(SUB H164952)
	H164952	STRAP	3		
3	H114038	SCREW	6		
4	AH89557	CLIP	3		
5	H123995	SCREW	3		
6	AH126358	WIRING HARNESS	1		(OPT. REG. WIPER ONLY)
	AH143422	WIRING HARNESS	1		
7	R77481	CONNECTOR	1		(PKG. OF 2)
	U46662	TERMINAL	1		(PKG. OF 25)
8	T28583	RECEPTACLE CONNECTOR BODY	1		(PKG. OF 3)
	U46662	TERMINAL	1		(PKG. OF 25)
9	R78053	PIN CONTACT CONNECTOR BODY	1		(PKG. OF 3)
	R78061	PIN CONTACT	1		(PKG. OF 40)
10	H118416	PIN CONTACT	1		(6 HOLES)
	R77468	TERMINAL	1		(PKG. OF 5)
11	RE12362	CONNECTOR	1		(PKG. OF 3)
	R78057	SOCKET CONTACT	1		(PKG. OF 40)
	R78047	SEAL	1		(PKG. OF 5)
12	RE12363	CONNECTOR	1		(PKG. OF 3)
	U46662	TERMINAL	1		(PKG. OF 25)
	R78060	SOCKET CONTACT	1		(PKG. OF 40)
	R78048	TERMINAL NIPPLE	1		(PKG. OF 5)
13	T24167	RECEPTACLE CONNECTOR BODY	1		
	U46662	TERMINAL	1		(PKG. OF 50)
14	R77477	RECEPTACLE CONNECTOR BODY	2		(PKG. OF 2)
15	H118431	CONNECTOR	1		
16	H140664	CONNECTOR	1		(16 HOLES)
	R77464	PIN CONTACT	1		(PKG. OF 50)
17	H118430	CONNECTOR	1		(37 PIN CONNECTOR)
18	R77464	PIN CONTACT	1		
19	R77477	RECEPTACLE CONNECTOR BODY	1		(PKG. OF 2)
	U46662	TERMINAL	1		(PKG. OF 25)

1F17

ELECTRICAL

OVERHEAD CONSOLE PANEL
HP7628 -UN-10SEP98



HP7628

1F18

ELECTRICAL

OVERHEAD CONSOLE PANEL - CONTINUED

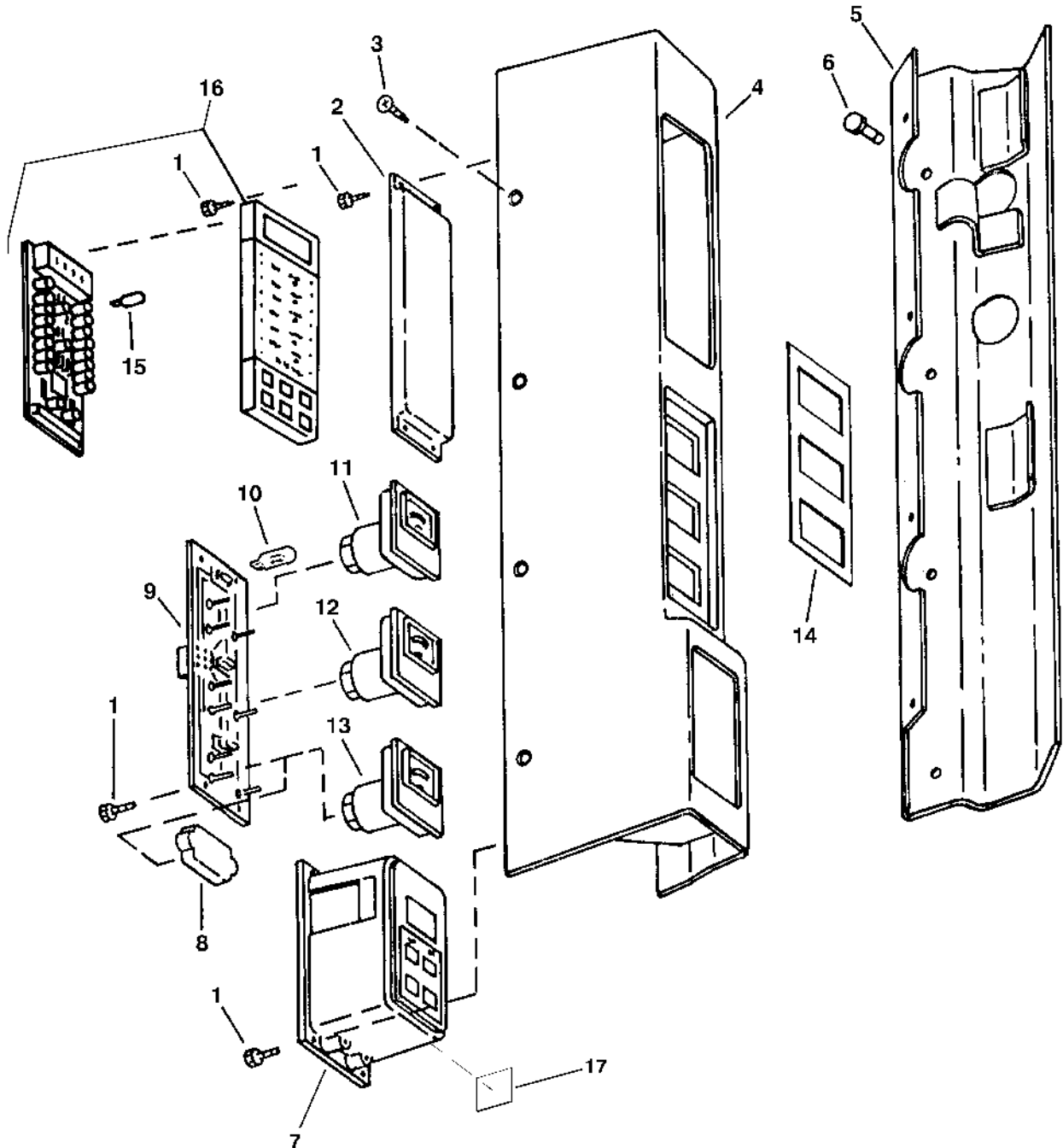
KEY	PART NO.	PART NAME	QTY	SERIAL NO.	REMARKS
1	AH125627	CIRCUIT BOARD	1		WITH HARVESTRAK
2	H111364	SCREW	AR		10 WITH HARVESTRAK, 6 W/O HARVESTRAK
3	H155510	SIGN	1		"CAUTION" SEATBELT
4	H161549	CONSOLE	1		(SUB FOR AH154277) (SUB H168421)
	H168421	PANEL	1		
5	AH115797	RHEOSTAT	1		
6	AH144741	SWITCH	1		LIGHTS
7	AH144742	SWITCH	1		WIPER
8	H150681	KNOB	2		
9	H140248	NUT	1		
10	H130153	KNOB	4		4 WITH HARVESTRAK, 1 W/O HARVESTRAK
11	H139214	PANEL	1	-675633	
	H165583	GRAPHICS PANEL	1	675634-	
12	H117239	FLANGE NUT	2		6.350 MM (1/4") LESS RADIO
13	H132795	PANEL	1		LESS RADIO
14	T15005	PLUG	3		
15	H130194	CAP SCREW	6		M4 X 30
16	AH145674	ROCKER SWITCH	1		USED WITH OPTIONAL AUX FIELD LIGHTS
17	H151376	DECAL	1	-675643	LIGHTS GRAPHICS DECAL W/OPTIONAL AUX FIELD LIGHTS
18	H137539	PANEL	1		HARVESTRAK GRAPHICS DECAL
	H137538	PANEL	1		(LESS HARVESTRAK)
19	H145418	DECAL	1		RADIO TRIM DECAL (LESS FIELD LIGHTS)
20	H145419	DECAL	1		WINDSHIELD WIPER GRAPHICS DECAL
21	H145420	DECAL	1		LIGHTS GRAPHICS DECAL
22	AH154573	KIT	1		WARNING DISPLAY PANEL
23	PRINTED CIRCUIT	1		STANDARD ALARM MODULE
24	AH108380	BULB	22		
25	H111364	SCREW	6		M3.5 X 12
..	RE55277	RADIO	1		(ORDER DIRECTLY FROM WATERLOO)
..	RE55278	RADIO	1		(ORDER DIRECTLY FROM DELCO)
..	AH140786	KIT	1		RADIO MOUNTING PARTS
..	AH154573	KIT	1	675676-	(SERVICE ONLY)

THIS PARTS LISTING IS CONTINUED

1F19

ELECTRICAL

CAB POST INSTRUMENT PANEL
HP7318 -UN-22DEC97



HP7318

1F20

ELECTRICAL

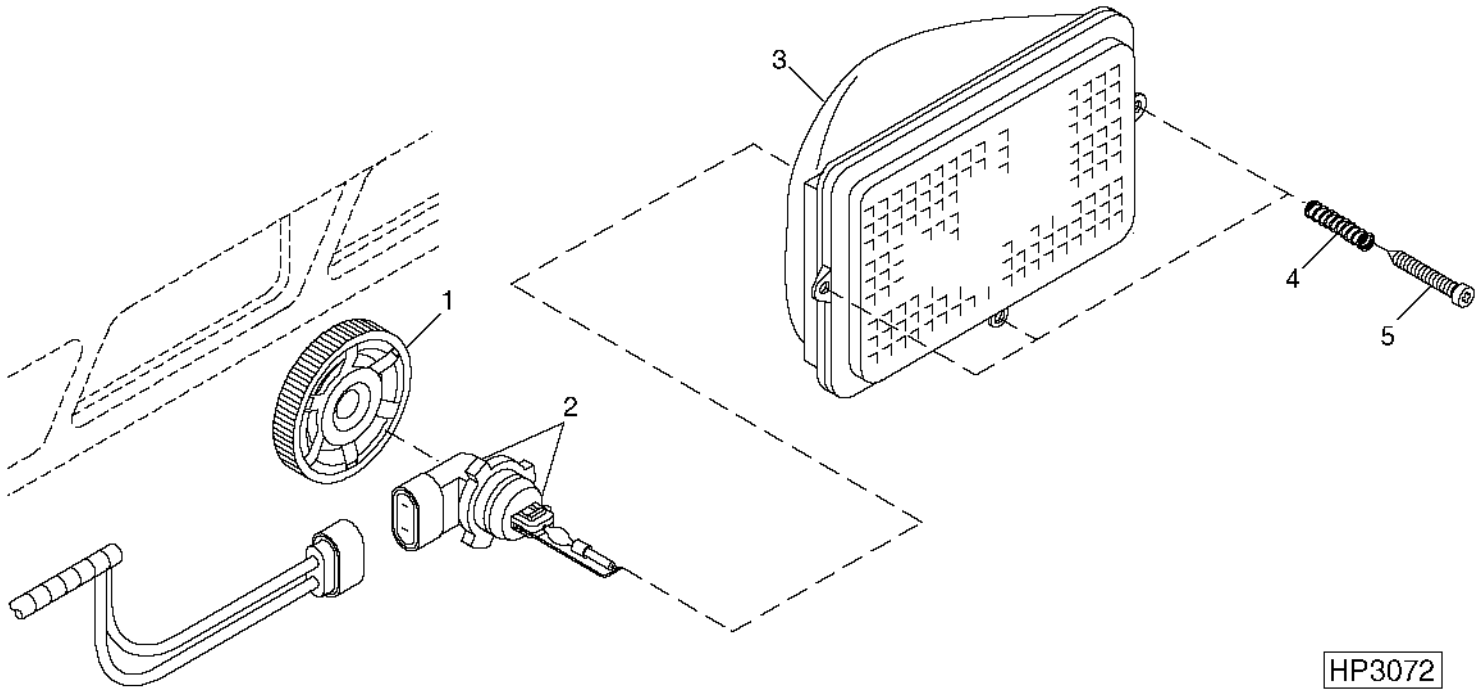
CAB POST INSTRUMENT PANEL - CONTINUED

KEY	PART NO.	PART NAME	QTY	SERIAL NO.	REMARKS
1	21M7268	SCREW	AR		M3 X 6
2	H130058	PANEL	1	-28SEP8	USE WITHOUT COMBINE DATA CENTER
	H168423	PANEL	1	28SEP8-	
3	H158579	SCREW	4		M5 X 12, (SUB H168424)
	H168424	SCREW	4		M5 X 12
4	AH140609	PANEL	1		
5	AH120570	BRACKET	1		
6	37M7089	SCREW	AR		M6 X 12
7	AH163527	KIT	1		DIGITAL TACH W/ LABELS
8	H129686	COVER	1		USE ONLY WITHOUT HARVESTRAK
9	AH141984	CIRCUIT BOARD	1		
10	AA27536	BULB	3		
11	AH120444	GAUGE	1		FOR FUEL
12	AH148354	TEMPERATURE GAUGE	1	-675675	ENGINE
	AH159352	TEMPERATURE GAUGE	1	675676-	ENGINE
13	AH120445	GAUGE	1		HARVESTRAK
14	H145417	DECAL	1		GAUGE GRAPHICS DECAL
15	AH108380	BULB	20		
16	AH159207	KIT	1	675676-	(SUB FOR AH157325) COMBINE DATA CENTER, INCLUDES AH159202 MONITOR, LABELS AND INSTRUCTIONS
17	R133617	LABEL	1		
..	BH80118	COMPLETE GOODS/SHIP. BUNDLE	1		HARVESTRAK
..	BH81356	COMPLETE GOODS/SHIP. BUNDLE	1		DIGITAL CONCAVE INDICATOR

1F21

ELECTRICAL

CAB ROOF LIGHTS
HP3072 -UN-24AUG99



HP3072

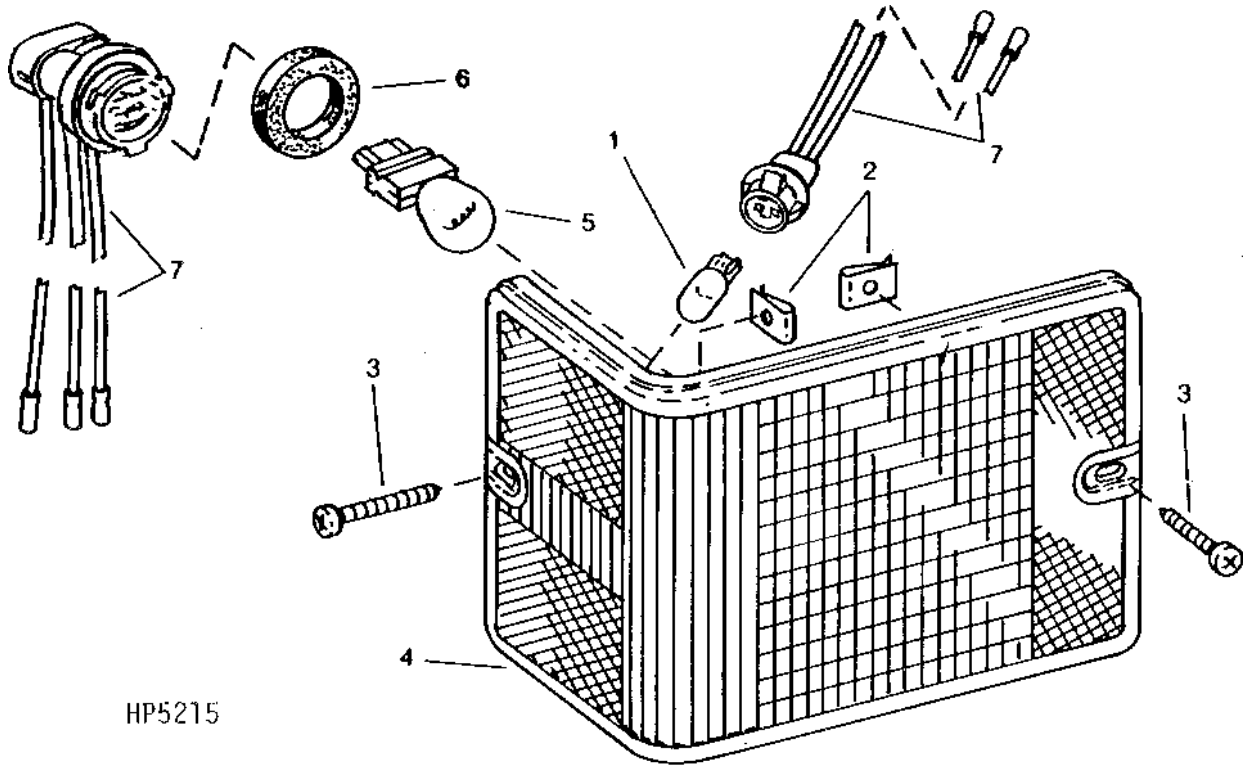
KEY	PART NO.	PART NAME	QTY	SERIAL NO.	REMARKS
1	H132900	RETAINER	6		
2	AH127718	BULB	6	(SUB AH162231)	
	AH162231	BULB	6		
3	AH128327	FLOODLAMP	4		
	AH128328	FLOODLAMP	2		
4	H130299	SPRING	18		
5	H130298	SCREW	18	M5 X 40	

1F22

ELECTRICAL

FRONT AND REAR TURN AND TAIL LIGHTS

HP5215 -UN-01JAN94



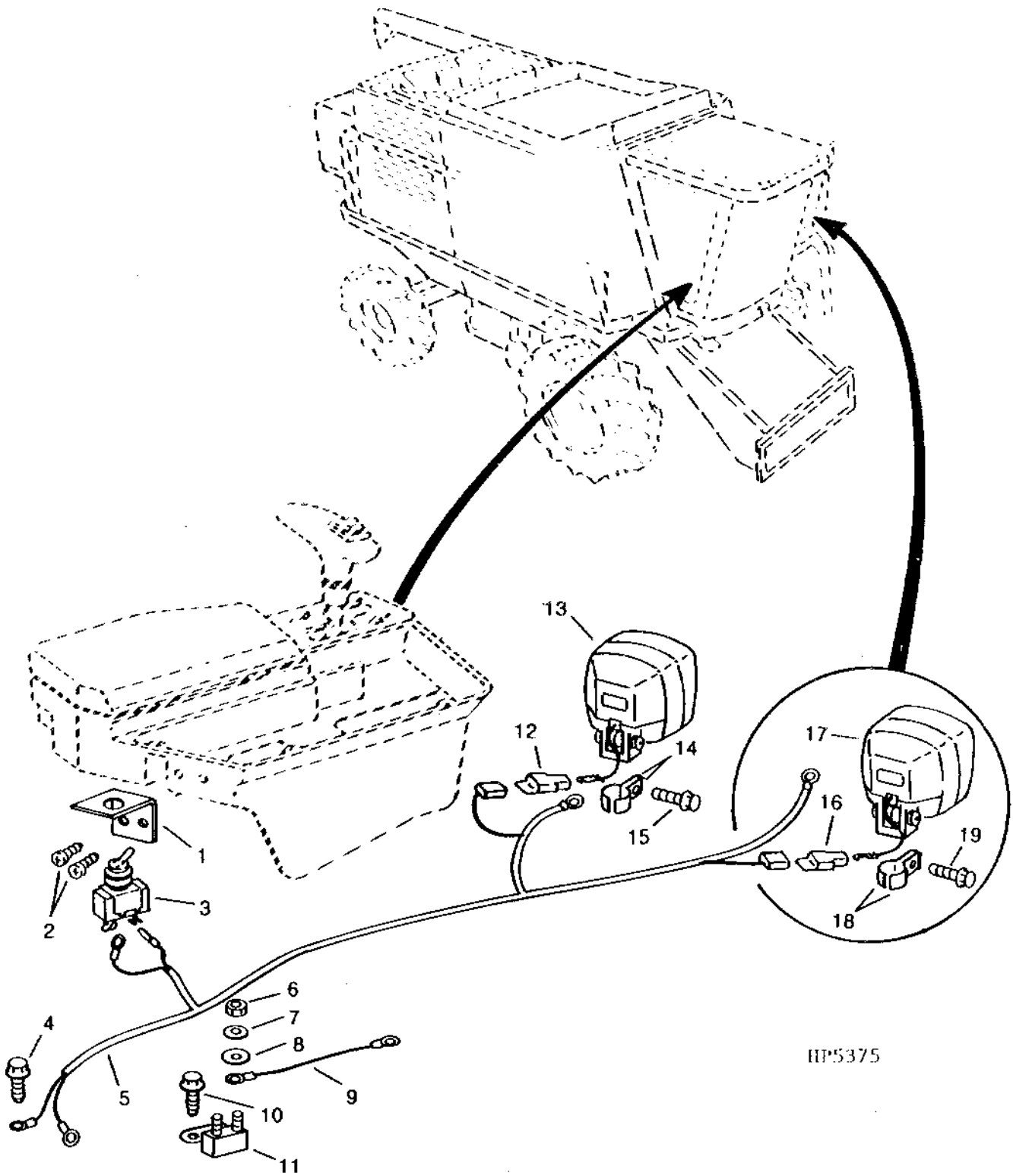
HP5215

KEY	PART NO.	PART NAME	QTY	SERIAL NO.	REMARKS
1	AR62407	BULB	6		
2	H140628	NUT	12	4.826 MM	
3	H140627	SCREW	12		
4	AH123014	LAMP	1		AMBER, R.H. FRONT
	AH123015	LAMP	1		AMBER, L.H. FRONT
	AH123016	LAMP	2		RED, R.H. AND L.H. REAR
	AH123017	TAIL LAMP	2		AMBER, R.H. AND L.H. REAR
5	H133384	BULB	6		
6	H141955	SEAL	1		
7	AH140120	KIT	1		SOCKET KIT (CONTAINS ONE LARGE REAR SOCKET AND ONE SMALL SIDE SOCKET)
..	BH79711	COMPLETE GOODS/SHIP. BUNDLE	1		OPTIONAL FIELD LIGHTS

1F23

ELECTRICAL

AUXILIARY FIELD LIGHTING
HP5375 -UN-01JAN94



HP5375

1F24

ELECTRICAL

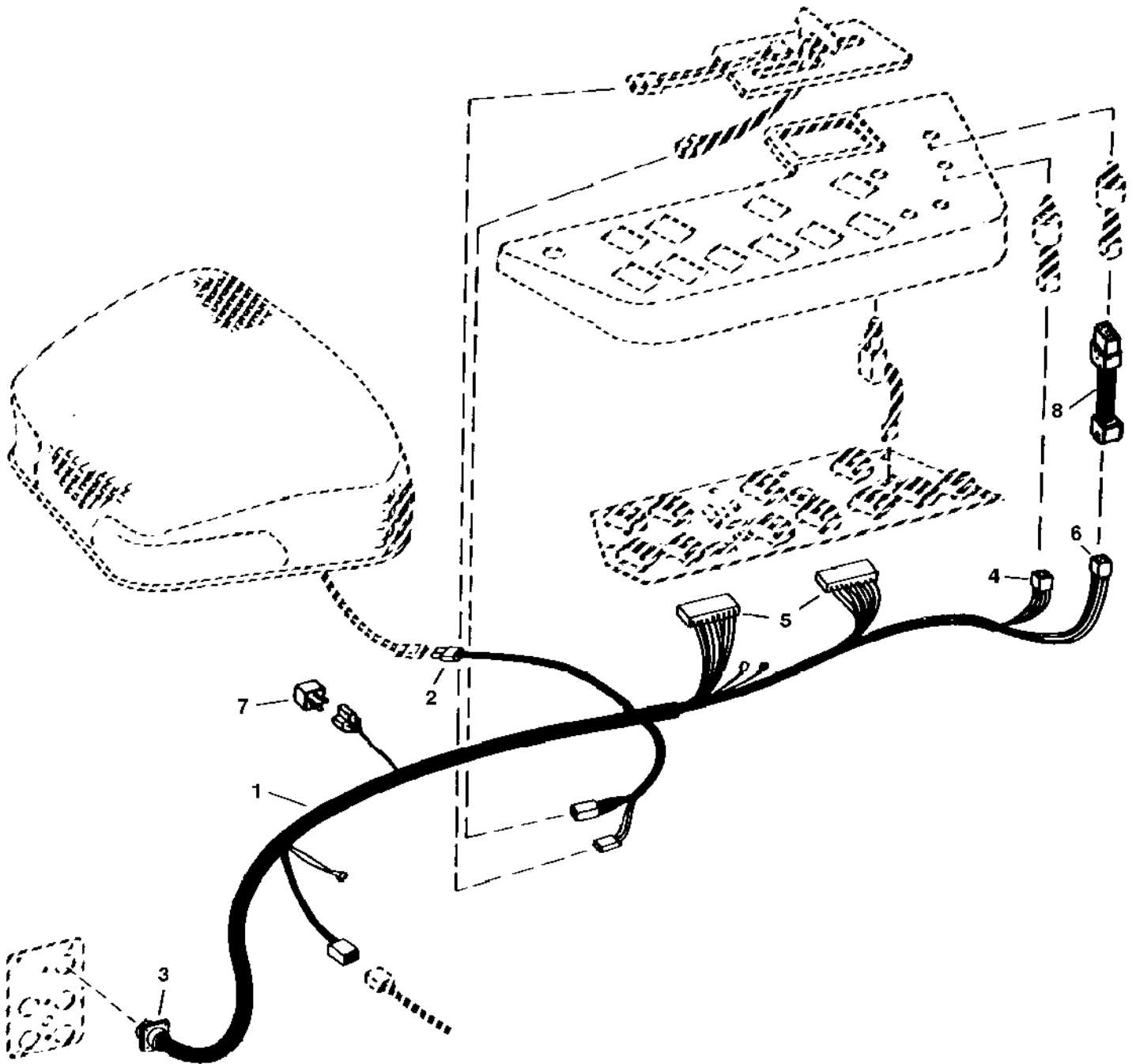
AUXILIARY FIELD LIGHTING - CONTINUED

KEY	PART NO.	PART NAME	QTY	SERIAL NO.	REMARKS
1	H147249	BRACKET	1		
2	H111706	SCREW	2		
3	AH87806	SWITCH	1		TO BRACKET IN CAB
4	37H147	SCREW	1		TO RELAY PANEL
5	AH141171	WIRING HARNESS	1		ROUTE ALONG R.H. MAIN WIRING HARNESS
6	14H631	NUT	2		0.190"
7	12H246	LOCK WASHER	2		0.190"
8	24M7027	WASHER	2		5.300 X 10 X 1 MM
9	AH141131	WIRING LEAD	1		ONE END TO BUSS BAR, OTHER TO CIRCUIT BREAKER
10	37H147	SCREW	2		
11	AR28403	CIRCUIT BREAKER	1		ATTACH TO ENGINE COMPARTMENT RELAY
12	T28585	TAB CONNECTOR BODY	1		
13	AT135485	FLOODLAMP	1		TO LEFT HAND SIDE
14	AH140706	KIT	1		CONTAINS TWO HALF CLAMPS
15	19M7867	SCREW	1		M8 X 25
16	T28585	TAB CONNECTOR BODY	1		
17	AT135485	FLOODLAMP	1		TO RIGHT HAND SIDE
18	AH140706	KIT	1		CONTAINS TWO HALF CLAMPS
19	19M7867	SCREW	1		M8 X 25
..	R44302	TIE BAND	AR		USE TO SECURE WIRING HARNESS TO ENGINE HARNESS
..	BH79711	COMPLETE GOODS/SHIP. BUNDLE	1		OPTIONAL FIELD LIGHTS

1G1

ELECTRICAL

ARMREST WIRING HARNESS
HP6809 -UN-19AUG97



HP6809

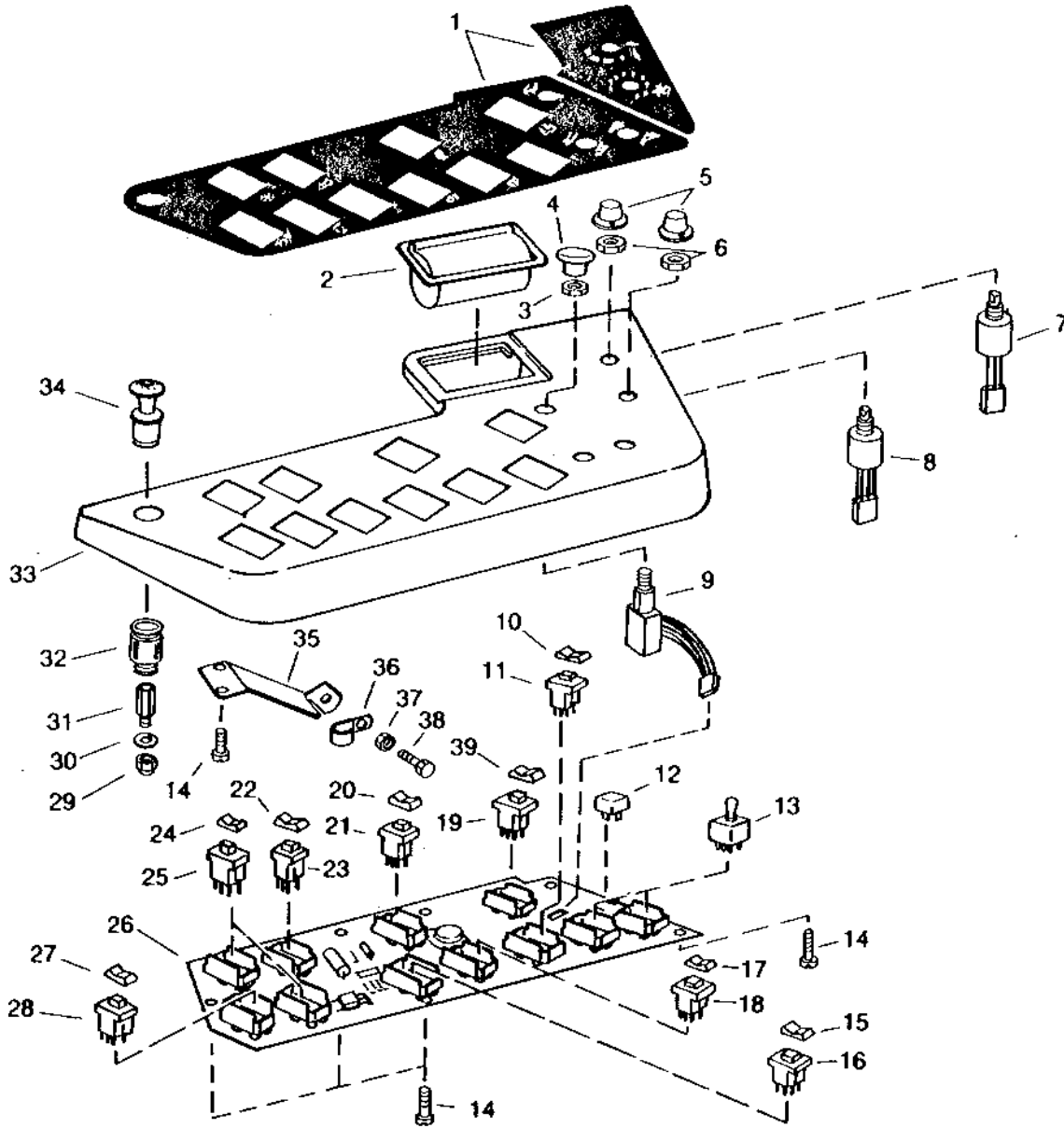
ARMREST WIRING HARNESS - CONTINUED

KEY	PART NO.	PART NAME	QTY	SERIAL NO.	REMARKS
1	AH145026	WIRING HARNESS	1		
2	RE12363	CONNECTOR	1		(PKG. OF 5)
	R78048	TERMINAL NIPPLE	1		(PKG. OF 3)
	R78063	TERMINAL NIPPLE	1		(PKG. OF 40)
	R78060	SOCKET CONTACT	1		(PKG OF 40)
3	H118430	CONNECTOR	1		(37 PIN CONNECTOR)
4	AH116902	CONNECTOR	1		CONNECTS TO DIAL-A-SPEED SWITCH
5	R77465	SOCKET CONTACT	AR		
6	R77465	SOCKET CONTACT	AR		CONNECTS TO ADAPTER HARNESS
7	AH106612	RELAY	1		
8	AH146207	WIRING HARNESS	1		CONNECTS TO DIAL-A-MATIC SWITCH (INCLUDES DECAL)

1G3

ELECTRICAL

ARMREST CONTROL PANEL
HP3138 -UN-01JAN94



HP 3138

ARMREST CONTROL PANEL - CONTINUED

KEY	PART NO.	PART NAME	QTY	SERIAL NO.	REMARKS
1	H145284	PANEL	1		
	H150929	PANEL	1	(CONTOUR MASTER)	
2	AH104259	ASHTRAY	1		
3	H140248	NUT	1		
4	H134169	KNOB	1		
5	AH126811	KNOB	1	(OPT)	
6	H106246	LOCK NUT	1	(OPT)	
7	AH145947	SWITCH	1		
8	AH121190	SWITCH	1	DIAL-A-SPEED (OPT)	
9	AH128904	SWITCH	1	UNLOADING AUGER ENGAGE	
10	H143918	ACTUATOR	1	MANUAL REEL SPEED, REQUIRES H151908	
11	AH109120	SWITCH	1	MANUAL REEL SPEED	
12	AH106612	RELAY	1		
13	AH111704	TOGGLE SWITCH	2	HEADER ENGAGE OR SEPARATOR ENGAGE	
14	H111706	SCREW	4		
15	H143918	ACTUATOR	1		
16	AH111705	ROCKER SWITCH	1	(CONTOUR MASTER)	
17	H143918	ACTUATOR	1	ALSO REQUIRES H145511 SHEET OF LABELS	
18	AH109120	SWITCH	1		
19	AH112169	ROCKER SWITCH	1	UNLOADING AUGER SWING	
20	H143918	ACTUATOR	1	ENGINE SPEED, (ALSO REQUIRES H151908 SHEET OF LABELS)	
21	AH111705	ROCKER SWITCH	1	ENGINE SPEED	
22	H143918	ACTUATOR	1	4-WHEEL DRIVE (OPT) (ALSO REQUIRES H151908 SHEET OF LABELS)	
23	AH111705	ROCKER SWITCH	1	4-WHEEL DRIVE (OPT)	
24	H143918	ACTUATOR	1	CLEANING FAN OR CYL. SPEED, (ALSO REQUIRES H145511 SHEET OF LABELS)	
25	AH109120	SWITCH	1	CLEANING FAN OR CYL. SPEED	
26	AH153332	CIRCUIT BOARD	1		
27	H143918	ACTUATOR	1	CONCAVE SPACING, (ALSO REQUIRES H151908 SHEET OF LABELS)	
28	AH109120	SWITCH	1	CONCAVE SPACING	
29	14H605	NUT	1	0.164"	
30	12M7084	LOCK WASHER	1	4.300 MM (0.169")	
31	H129367	SPACER	1		
32	AR56766	HOUSING	1		
33	H168426	COVER	1	(SUB FOR H143593)	
34	AR60937	LIGHTER	1		
35	H126846	BRACKET	1		
36	AH77869	CLIP	1		
37	H131531	NUT	1	8 MM	
38	19M7865	SCREW	1	M8 X 16	
39	H143918	ACTUATOR	1	UNLOADING AUGER SWING, (ALSO REQUIRES H151908 SHEET OF LABELS)	
	H151908	LABEL	1		
..	BH79485	COMPLETE GOODS/SHIP. BUNDLE	1	DIAL-A-SPEED CONTROL	
..	BH79715	COMPLETE GOODS/SHIP. BUNDLE	1	REEL FORE AND AFT CONVERSION	

1G6

ELECTRICAL

STEERING COLUMN WIRING HARNESS - CONTINUED

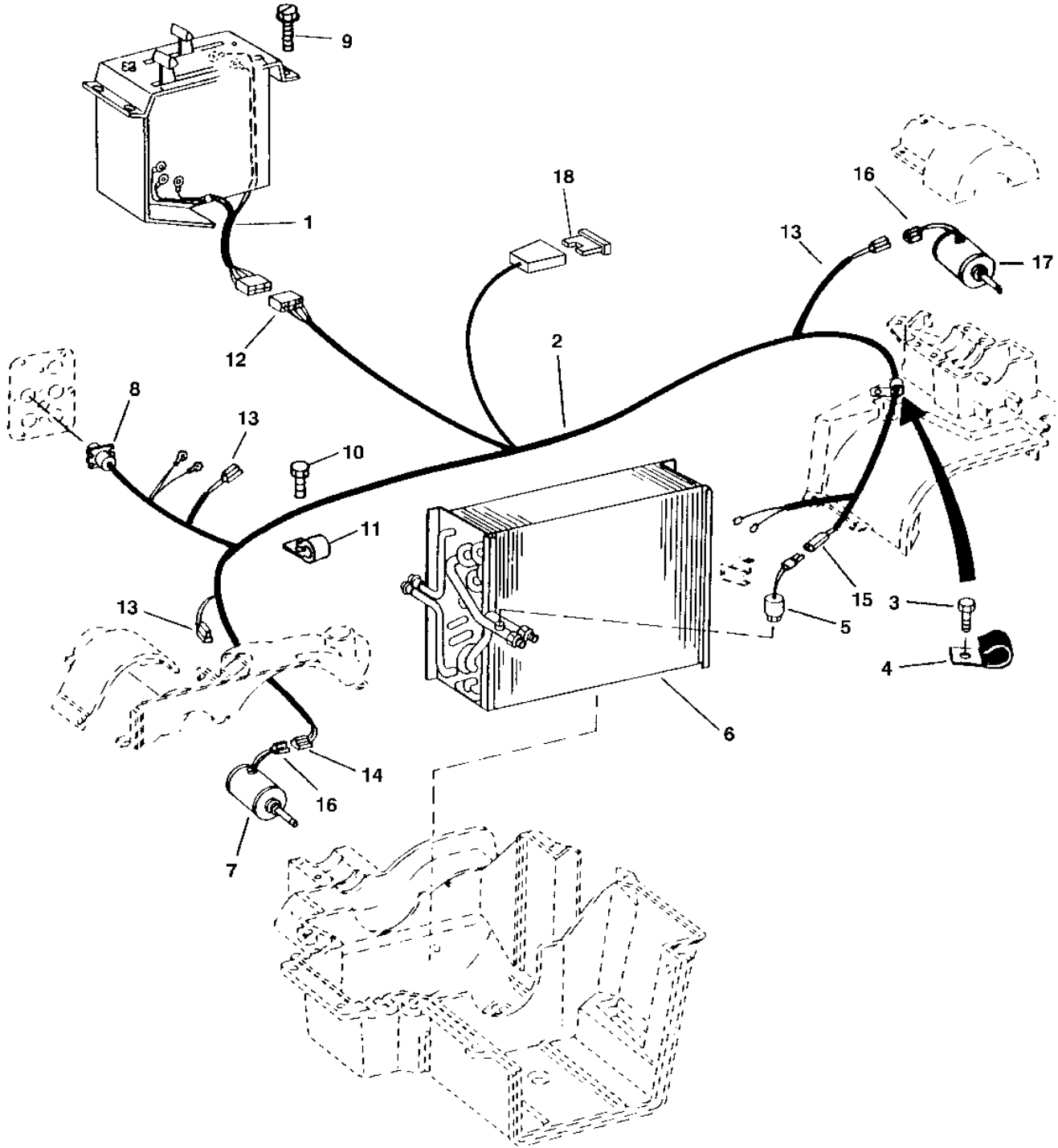
KEY	PART NO.	PART NAME	QTY	SERIAL NO.	REMARKS
1	37M7083	SCREW	1	M8 X 12	
2	AH89557	CLIP	1		
3	AH134296	WIRING HARNESS	1		
4	AH96317	CLIP	2		
5	L38138	RECEPTACLE CONNECTOR BODY	1		CONNECT TO KEY SWITCH
	M71442	TERMINAL	1		
6	T28583	RECEPTACLE CONNECTOR BODY	1		CONNECT TO KEY SWITCH
	U46662	TERMINAL	1		
7	M71184	CONNECTOR	1		CONNECT TO THE HORN SWITCH
	M71442	TERMINAL	1		
	U46663	TERMINAL	1		
8	M71184	CONNECTOR	1		CONNECT TO ETHER AID BUTTON
	M71442	TERMINAL	1		
9	57M7199	RECEPTACLE	1		(24 HOLES, PLAIN)
10	R78053	PIN CONTACT CONNECTOR BODY	1		(PKG. OF 3)
11	RE12363	CONNECTOR	1		TWO PIN, (PKG. OF 5), CONNECTS TO MANUAL PARK BRAKE SWITCH
	R78048	TERMINAL NIPPLE	1		(PKG. OF 3)
	R78063	TERMINAL NIPPLE	1		(PKG. OF 40)
	R78060	SOCKET CONTACT	1		(PKG. OF 40)

1G7

ELECTRICAL

AIR CONDITIONER, HEATER AND AIR SEAT WIRING HARNESS

HP6534 -UN-23AUG96

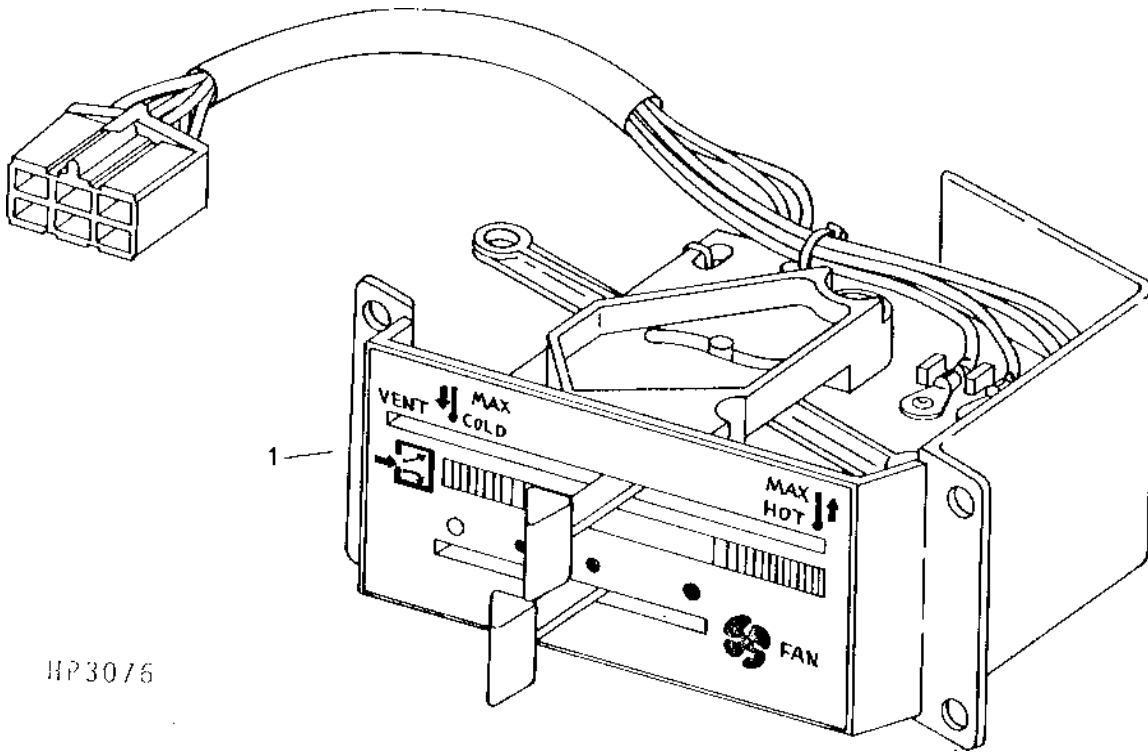


HP6534

AIR CONDITIONER, HEATER AND AIR SEAT WIRING HARNESS - CONTINUED

KEY	PART NO.	PART NAME	QTY	YEAR	REMARKS
1	AH144096	CONTROL	1		(INCLUDES 127878, M80082 AND R72653, (2) H871R AND R44302)
	24H1914	WASHER	3		3.175 X 7.925 X 0.813 MM (1/8" X 5/16" X 0.032")
2	AH148616	WIRING HARNESS	1		
3	19M7862	SCREW	1		M6 X 20
4	AH89557	CLIP	1		
5	AH116110	SWITCH	1		LOW TEMP
6	AH132264	EVAPORATOR	1		EVAPORATOR AND HEATER COMBINATION
7	AH128926	MOTOR	1		
8	H130511	CONNECTOR	1		(4 PIN)
	R78061	PIN CONTACT	1		(PKG OF 40)
9	H114038	SCREW	4		
10	H123998	SCREW	1		
11	AH96317	CLIP	1		
12	T34067	TERMINAL	1		(PKG OF 25)
13	R77483	CONNECTOR	3		(2 PIN)
14	R77476	CONNECTOR	1		(PKG OF 2) (3 PIN)
15	R78053	PIN CONTACT CONNECTOR BODY	1		(PKG OF 3) (2 PIN)
	R78061	PIN CONTACT	1		(PKG OF 40)
	T34067	TERMINAL	1		(PKG OF 25)
16	T28586	CONNECTOR	1		(3 PIN)
17	AH128925	MOTOR	1		PRESSURIZER
	H129887	ISOLATOR	1		(USE WITH AH128925)
18	AM108845	KIT	1		

AIR CONDITIONER AND HEATER SWITCH
 HP3076 -UN-01JAN94



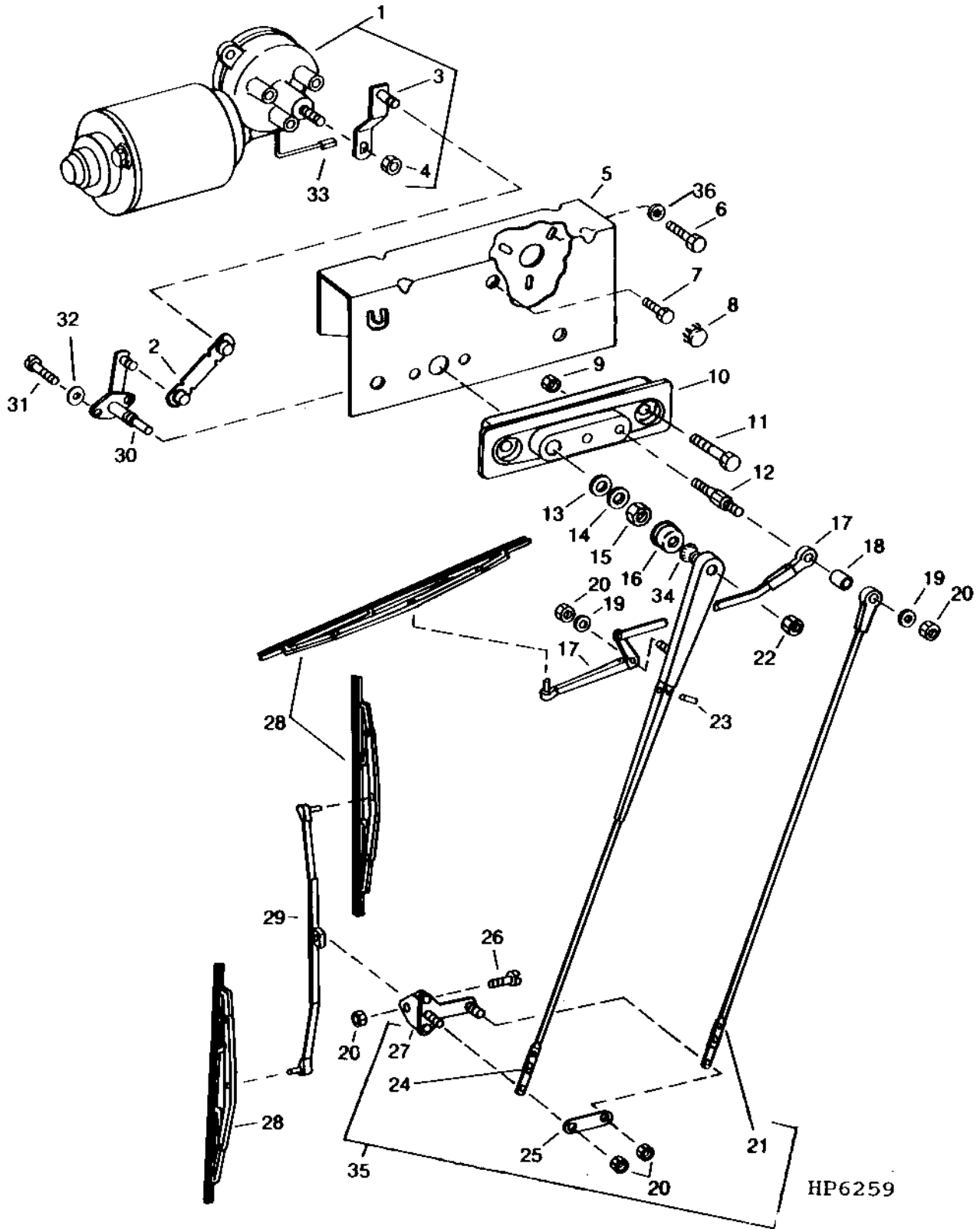
KEY	PART NO.	PART NAME	QTY	SERIAL NO.	REMARKS
1	AH144096	CONTROL	1		(INCLUDES H127878, M80082 AND R72653, (2) H871R AND R44302)

MEMORANDA

1G10

ELECTRICAL

WINDSHIELD WIPER (OPT. LONG)
HP6259 -UN-09JAN96



HP6259

1G11

ELECTRICAL

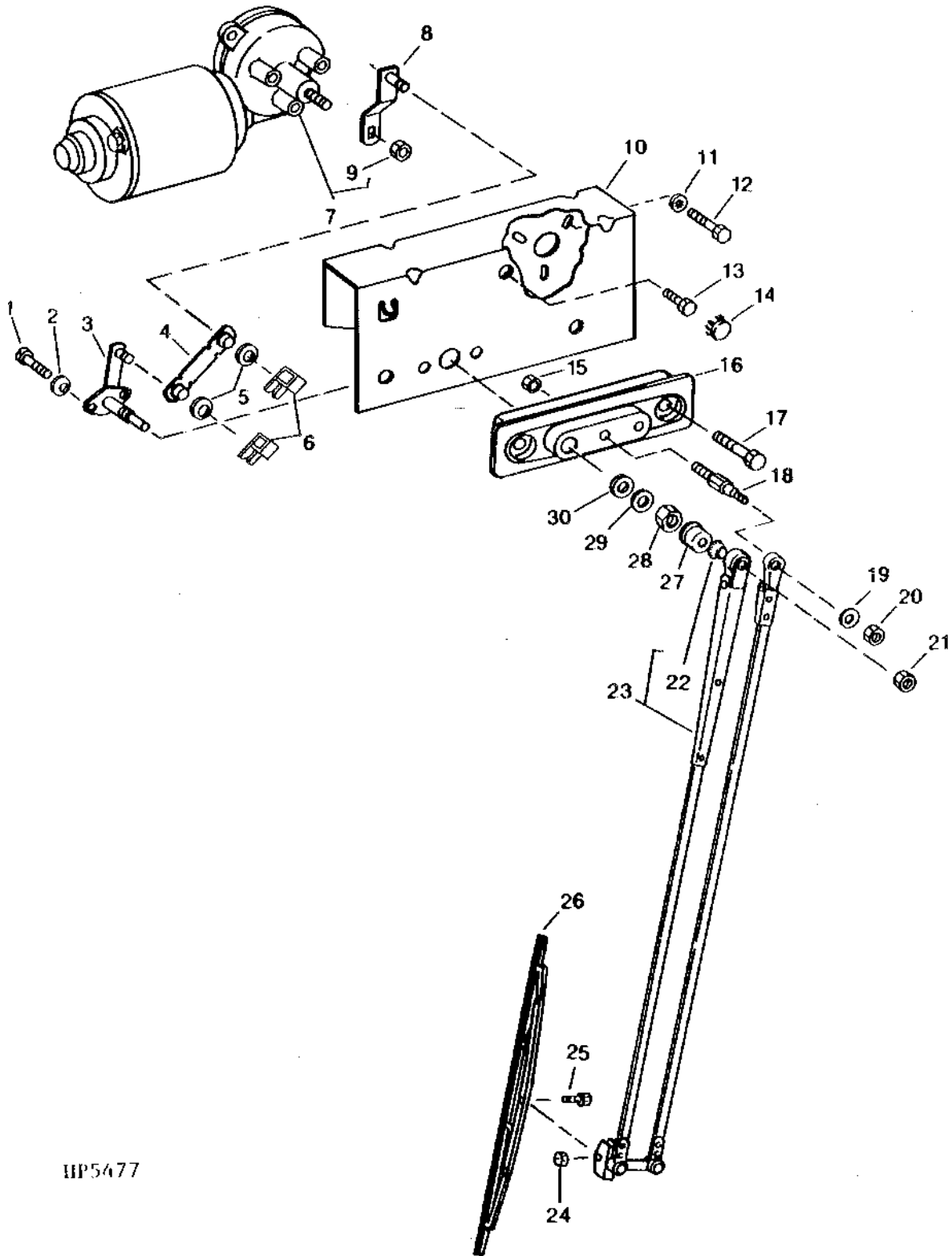
WINDSHIELD WIPER (OPT. LONG) - CONTINUED

KEY	PART NO.	PART NAME	QTY	SERIAL NO.	REMARKS
1	AH149835	MOTOR	1		WIPER LONG (INCLUDES (1) E64256)
2	AH123902	LINK	1		
3	AH149834	CRANK	1		
4	E64256	LOCK NUT	1		
5	AH154278	BRACKET	1		(SUB FOR H128819) WIPER MOTOR
6	19M7774	SCREW	3		M6 X 12
7	19M7865	SCREW	1		M8 X 16
8	M61266	PLUG	1		(SUB FOR R34337)
9	14M7303	FLANGE NUT	AR		M6
10	H128820	SUPPORT	1		WIPER
11	19M8317	SCREW	2		M8 X 40
12	H128821	STUD	1		
13	R63666	WASHER	1		18.288 X 28.448 X 1.524 MM (0.720" X 1.120" X 0.060")
14	R63667	WASHER	1		18.263 X 28.575 X 1.575 MM (23/32" X 1-1/8" X 1/16")
15	R63668	NUT	1		17.475 MM (11/16")
16	R63669	CAP	1		
17	AH123908	WIPER ARM	1		
18	H128841	SPACER	1		6.500 X 12 X 20MM(0.256" X 0.472" X 0.787")
19	T32255	SHIM	2		0.381MM(0.015") (SUB FOR H134362)
20	T531T	LOCK NUT	5		4.775MM(3/16") (SUB FOR H133765)
21	AH123907	ARM	1		
22	F3220R	LOCK NUT	1		9.525MM(3/8") (SUB FOR H133846)
23	PIN	1		FOR SHIPPING ONLY
24	AH123905	ARM	1		
25	H128823	STRAP	1		
26	H128859	SCREW	1		4.089 X 22.280MM(0.161" X 0.877")
27	AH123910	BRACKET	1		
28	TY16302	WIPER BLADE	3		(SUB FOR AH123909)
29	AH123911	WIPER ARM	1		
30	AH149833	SHAFT	1		
31	21M7265	SCREW	2		M5 X 12, M5 X 12
32	12M7060	WASHER	1		5.300 MM, 4.826MM(0.140")
33	R78053	PIN CONTACT CONNECTOR BODY	1		(PKG. OF 3)
	R78058	PIN CONTACT	1		(PKG. OF 40)
	R78063	TERMINAL NIPPLE	1		(PKG. OF 40)
34	R63670	WELD NUT	1		KNURLED DRIVER (INCLUDED WITH AH123904 WIPER ARM)
35	AH123904	WIPER ARM	1		(INCLUDES KEYS 21, 24, 25, 27 AND 34)
36	12H297	LOCK WASHER	3		6.350 MM (1/4")
..	BH71948	COMPLETE GOODS/SHIP. BUNDLE	1		WINDSHIELD WIPER - LONG

1G12

ELECTRICAL

WINDSHIELD WIPER (SHORT)
HP5477 -UN-01JAN94



HP5477

1G13

ELECTRICAL

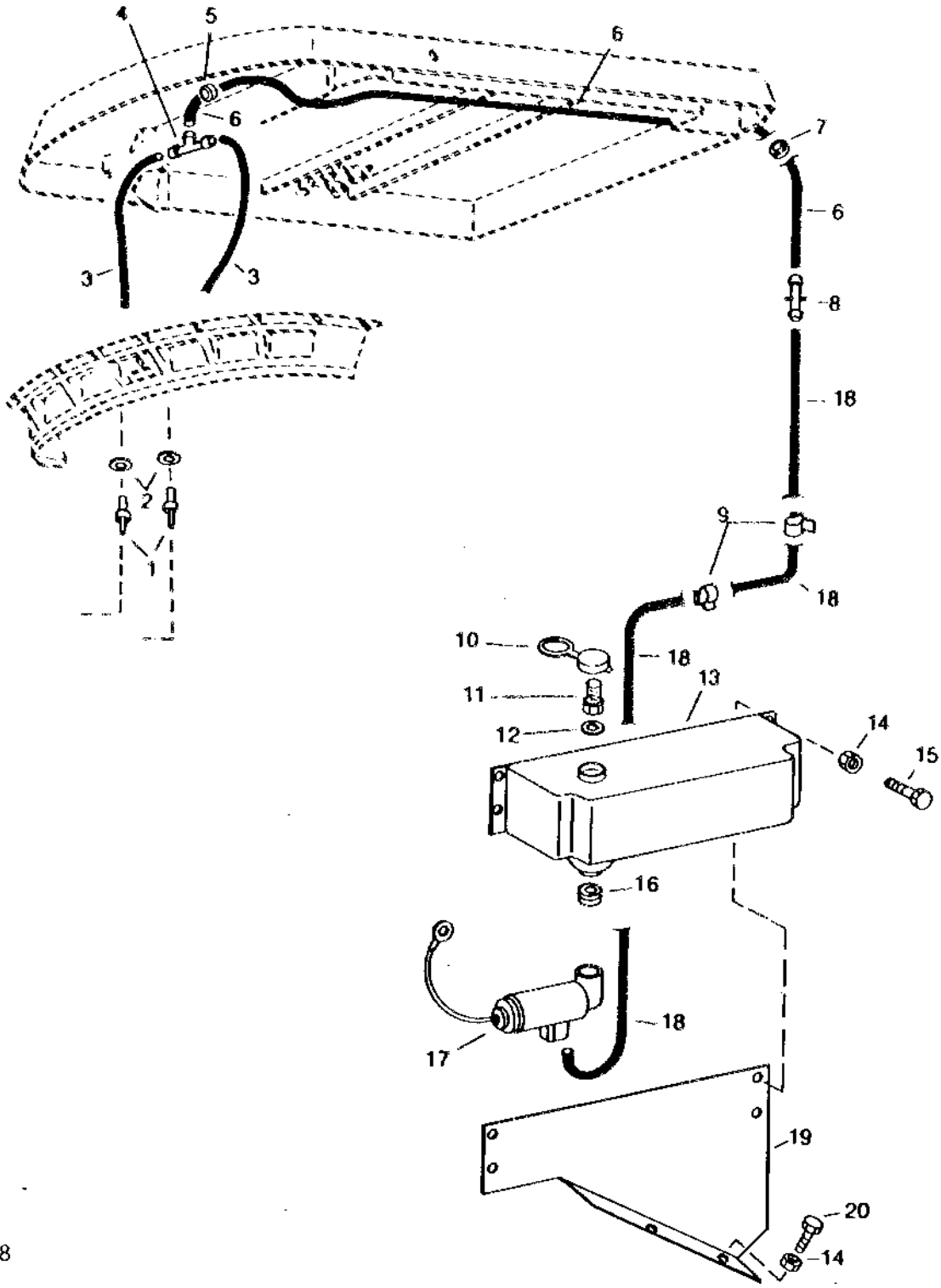
WINDSHIELD WIPER (SHORT) - CONTINUED

KEY	PART NO.	PART NAME	QTY	SERIAL NO.	REMARKS
1	21M7265	SCREW	2	M5 X 12	
2	12M7060	WASHER	2	0.209"	
3	AH123931	SHAFT	1	(INCLUDES U46507 AND AU43857)	
	U46507	PIN	1	(USE WITH AH123931)	
4	AU43853	LINK	1		
5	T32255	SHIM	2	0.381MM(0.015") (SUB FOR H134362)	
6	U46506	CLIP	2		
7	AT66481	WIPER MOTOR	1	(SUB FOR AH143409)	
8	AT141987	ARM	1	(USE WITH AT66481) DRIVE SHORT	
9	N10213	LOCK NUT	1	(USE WITH AT66481) 7.925MM(5/16")	
10	AH154278	BRACKET	1	(SUB FOR H128819)	
11	12H356	LOCK WASHER	3	1/4"	
12	19H3138	CAP SCREW	3	1/4" X 5/8"	
13	19M7865	SCREW	1	M8 X 16	
14	R34337	PLUG	1		
15	14M7303	FLANGE NUT	1	M6	
16	H128820	SUPPORT	1		
17	19M8317	SCREW	2	M8 X 40, (SUB FOR 19M8323)	
18	H128822	STUD	1		
19	T32255	SHIM	1	0.381MM(0.015") (SUB FOR H134362)	
20	T531T	LOCK NUT	1	4.775 MM (3/16") (SUB FOR H133765)	
21	F3220R	LOCK NUT	1	9.525 MM (3/8") (SUB FOR H133846)	
22	R63670	WELD NUT	1	(INCLUDES IN AH144503)	
23	AH144503	WIPER ARM	1	(INCLUDES (1) R63670)	
24	T35440	LOCK NUT	1	(SUB FOR H134368)	
25	H134367	SCREW	1	3.175 X 22.200 MM, (1/8" X 0.874")	
26	TY16304	WIPER BLADE	1	(SUB FOR AH123933)	
27	R63669	CAP	1		
28	R63668	NUT	1	17.475 MM (11/16")	
29	R63667	WASHER	1	18.263 X 28.575 X 1.575 MM (23/32" X 1-1/8" X 1/16")	
30	R63666	WASHER	1	18.288 X 28.448 X 1.524 MM (0.720" X 1.120" X 0.060")	
..	AH143422	WIRING HARNESS	1	WIPER ADAPTER	

1G14

ELECTRICAL

WINDSHIELD WASHER
HP3768 -UN-01JAN94



HP3768

1G15

ELECTRICAL

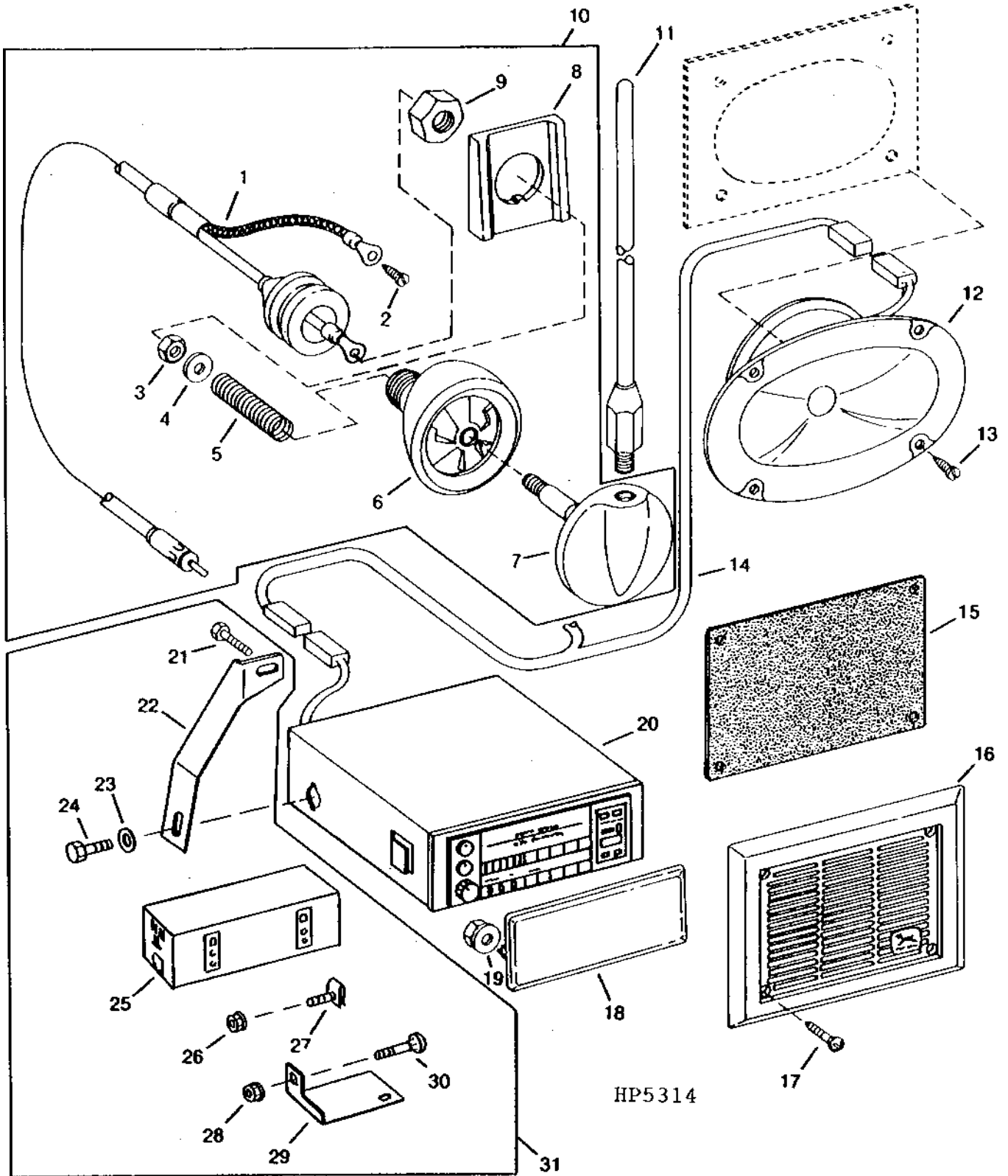
WINDSHIELD WASHER - CONTINUED

KEY	PART NO.	PART NAME	QTY	SERIAL NO.	REMARKS
1	AR79548	NOZZLE	2		
2	H145221	GROMMET	2		
3	R54447	HOSE	2		(CUT TO LENGTH)
4	R64061	TEE FITTING	1		
5	M68701	GROMMET	1		
6	R104595	BULK HOSE	1		(SUB FOR R54445)
7	H987R	GROMMET	1		
8	H132597	FITTING	1		
9	H76064	CLIP	2		
10	R64060	CAP	1		
11	AR79550	FILTER	1		
12	R64059	WASHER	1		16.256 X 26.162 X 2.286 MM
13	R64056	RESERVOIR	1		
14	14M7303	FLANGE NUT	6		M6
15	19M7775	SCREW	4		M6 X 16
16	R64058	GROMMET	1		
17	AR79549	PUMP	1		
18	R104595	BULK HOSE	1		(CUT TO LENGTH AS NEEDED) (SUB FOR R54445)
19	H131595	BRACKET	1		
20	19M7774	SCREW	2		M6 X 12
..	BH81578	COMPLETE GOODS/SHIP. BUNDLE	1		WINDSHIELD WASHER

1G16

ELECTRICAL

RADIO, SPEAKERS AND ANTENNA (OPTIONAL)
HP5314 -UN-01JAN94



1G17

ELECTRICAL

**RADIO, SPEAKERS AND ANTENNA - CONTINUED
(OPTIONAL)**

KEY	PART NO.	PART NAME	QTY	SERIAL NO.	REMARKS
1	WIRING LEAD	1	(SUB AH141012)	
2	37M7089	SCREW	1	M6 X 12	
3	14M7152	NUT	2	M10	
4	24H1303	WASHER	1	13/32" X 11/16" X 0.065"	
	24M7096	WASHER	1	10.500 X 18 X 1.600 MM	
5	SPRING	1	(SUB AH141012)	
6	FLANGE	1	(SUB AH141012)	
7	BASE	1	(SUB AH141012)	
8	SPACER	1	(SUB AH141012)	
9	14M7309	NUT	1	M24	
10	AH141012	KIT	1		
11	AR104516	ANTENNA	1		
12	AH138098	SPEAKER	2		
13	37M7215	SCREW	8		
14	AH142155	WIRING HARNESS	1		
15	H145264	ISOLATOR	2		
16	H144255	GRILLE	1	-28SEP8	
	H168420	GRILLE	1	28SEP8-	
17	37M7100	SCREW	2		
18	H132795	PANEL	1		
19	H117239	FLANGE NUT	1		
20	RE55278	RADIO	1	AM/FM STEREO (ORDER DIRECTLY FROM WATERLOO)	
	RE55277	RADIO	1	AM/FM WITH CASSETTE AND WEATHER BAND (ORDER DIRECTLY FROM WATERLOO)	
21	H114038	SCREW	1	(SUB AH140786) THROUGH RADIO SUPPORT TO OVERHEAD CONSOLE ASSEMBLY	
22	SUPPORT	1	(SUB AH140786)	
23	24M7027	WASHER	1	5.300 X 10 X 1 MM, USED ON 19M7700 CAP SCREW	
24	19M7700	CAP SCREW	1	M5 X 10, THROUGH SUPPORT INTO RADIOS RE55278 AND RE55277	
25	SLEEVE	1	(SUB AH140786)	
26	14M7375	FLANGE NUT	1	M5, USED ON BOLT (KEY 27)(NOT USED ON THIS MODEL)	
27	BOLT	1	(SUB AH140786)	
28	14M7303	FLANGE NUT	1	M6, (USED ON 03M7251)	
29	BRACKET	1	(SUB AH140786)	
30	03M7251	BOLT	1	M6 X 12	
31	AH140786	KIT	1		

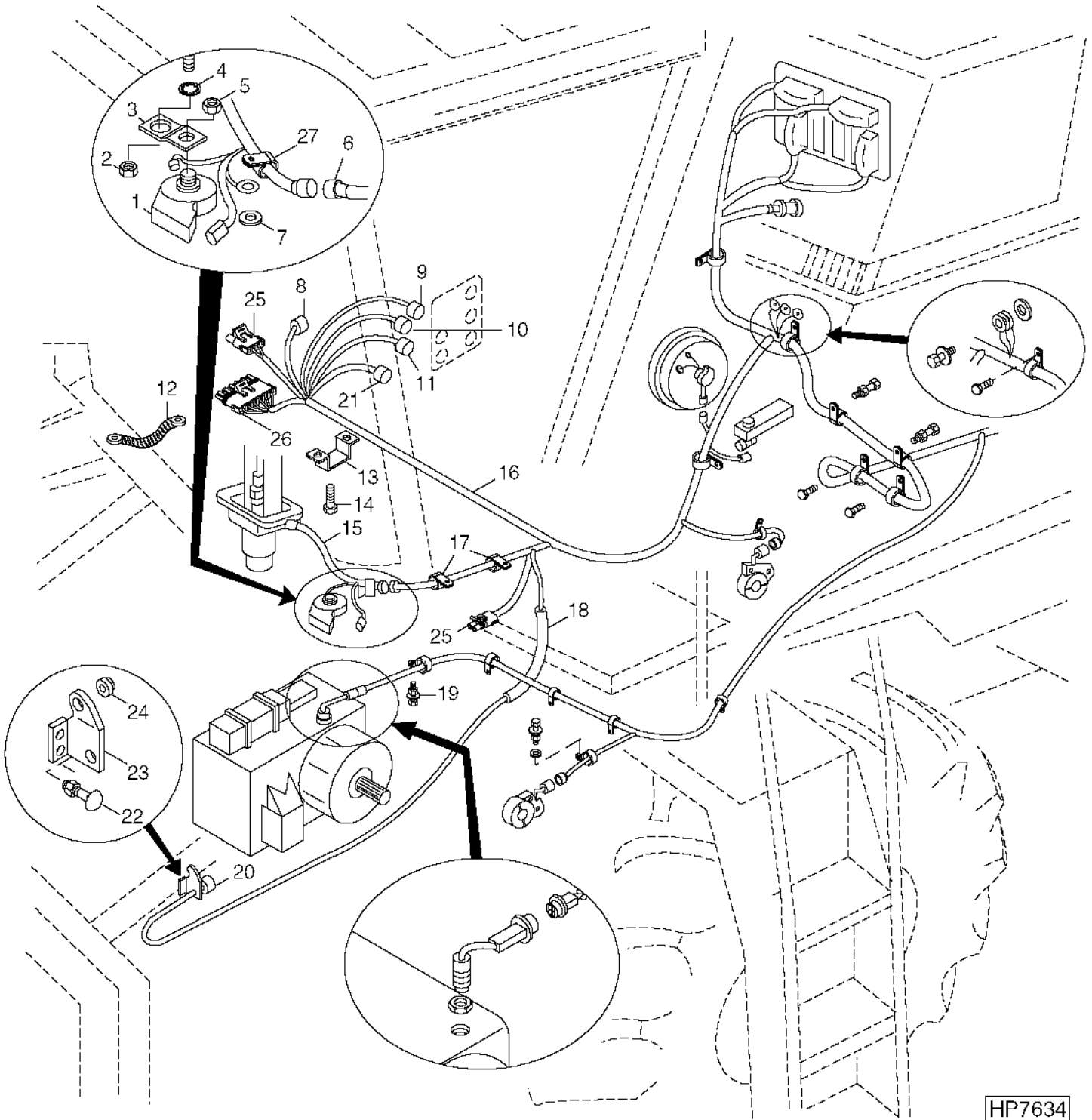
1G18

ELECTRICAL

L.H. MAIN WIRING HARNESS, L.H. FRONT

(-680400)

HP7634 -UN-12NOV98



HP7634

L.H. MAIN WIRING HARNESS, L.H. FRONT - CONTINUED
(-680400)

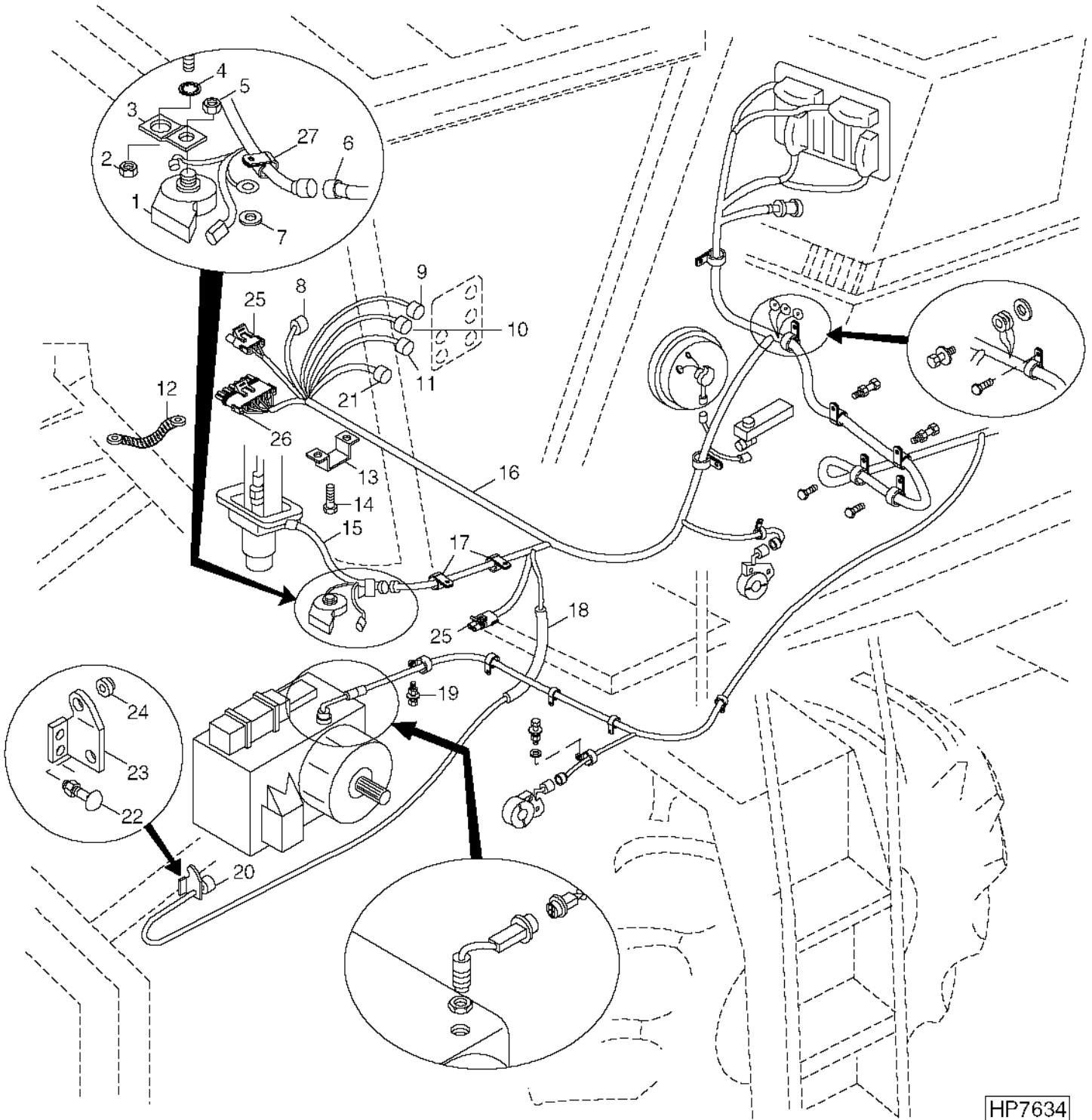
KEY	PART NO.	PART NAME	QTY	SERIAL NO.	REMARKS
1	AT39043	HIGH NOTE HORN	1		(SUB FOR AH153998)
2	14M7303	FLANGE NUT	1		M6
3	H125930	BRACKET	1		(SUB FOR H160476)
4	PT2314	WASHER	1		
5	14M7303	FLANGE NUT	1		M6
6	H118426	CONNECTOR	1		24 HOLES (FEMALE) TO STEERING COLUMN
	AE44930	CONNECTOR	1		
	R77465	SOCKET CONTACT	AR		
7	24M7139	WASHER	1		STEERING
8	AE44931	CONNECTOR	1		
	AH135787	ELECTRICAL PLUG	1		
	H140664	CONNECTOR	1		16 PIN CONNECTOR (MALE) TO R-H MAIN
9	AH135787	ELECTRICAL PLUG	1		16 HOLE CONNECTOR (FEMALE) TO CAB MAIN
	R77463	SOCKET CONTACT	AR		TO CAB MAIN
	R77465	SOCKET CONTACT	AR		TO CAB MAIN
10	R77457	ELECTRICAL PLUG	1		37 HOLES, (FEMALE) TO ARMREST
	AE44930	CONNECTOR	1		
	R77463	SOCKET CONTACT	AR		
11	AE44930	CONNECTOR	1		16 HOLE CONNECTOR (FEMALE) TO CAB MAIN
	R77465	SOCKET CONTACT	AR		
	H141325	CONNECTOR	1		
12	H131574	RETAINER	1		
13	AH125010	GROUND CABLE	1		
14	19M7865	SCREW	2		M8 X 16, TRANSMISSION SPEED
15	AH134296	WIRING HARNESS	1		STEERING COLUMN
	AH134234	WIRING HARNESS	1		STEERING COLUMN (EXPORT-ITALY)
16	AH158473	WIRING HARNESS	1		
	AH151771	WIRING HARNESS	1		
17	AH96317	CLIP	2		
18	H132800	HOSE	1		SLEEVE FOR PROTECTION
19	03M7221	BOLT	1		M6 X 16
	14M7303	FLANGE NUT	1		M6
20	AH135787	ELECTRICAL PLUG	1		16 PIN CONNECTOR (HOLDER HARNESS)
	H141325	CONNECTOR	1		16 PIN CONNECTOR
21	H130510	ELECTRICAL PLUG	1		TO AIR CONDITIONING HARNESS
22	03M7183	BOLT	1		M8 X 16
	14M7298	FLANGE NUT	1		M8
23	H134417	BRACKET	1		
24	H146306	PLUG	1		
25	RE12363	CONNECTOR	3		LEFT AND RIGHT SIDE OPTICAL LAMP
26	R78056	PIN CONTACT CONNECTOR BODY	1		TO HEADER R.H. SENSOR HARNESS
27	AH89557	CLIP	8		

1G20

ELECTRICAL

L.H. MAIN WIRING HARNESS, L.H. FRONT

(680401-)
HP7634 -UN-12NOV98



HP7634

1G21

ELECTRICAL

L.H. MAIN WIRING HARNESS, L.H. FRONT - CONTINUED
(680401-)

KEY	PART NO.	PART NAME	QTY	SERIAL NO.	REMARKS
1	AT39043	HIGH NOTE HORN	1		(SUB FOR AH153998)
2	14M7303	FLANGE NUT	1		M6
3	H125930	BRACKET	1		(SUB FOR H160476)
4	PT2314	WASHER	1		
5	14M7303	FLANGE NUT	1		M6
6	H118426	CONNECTOR	1		24 HOLES, FEMALE
	R78067	SOCKET CONTACT	2		
	57M7546	SOCKET CONTACT	3		
	RE42068	SOCKET CONTACT	6		
7	24M7139	WASHER	1		STEERING
8	AE44927	CONNECTOR	1		(FEMALE) TO R.H. MAIN (24-PIN)
	R78067	SOCKET CONTACT	2		
	57M7546	SOCKET CONTACT	1		
9	AH135787	ELECTRICAL PLUG	1		
	RE42068	SOCKET CONTACT	1		
	57M7546	SOCKET CONTACT	4		
	R78057	SOCKET CONTACT	1		(USE WITH R78059)
10	R77457	ELECTRICAL PLUG	1		37 HOLES, (FEMALE) TO ARMREST
	57M7546	SOCKET CONTACT	AR		
	RE42068	SOCKET CONTACT	AR		
	R104846	SOCKET CONTACT	AR		(USE WITH 57M7258)
11	Z63630	ELECTRICAL PLUG	1		16 HOLE CONNECTOR (FEMALE) TO CAB MAIN
	N282070	SOCKET CONTACT	1		
	U46662	TERMINAL	1		
	R78067	SOCKET CONTACT	1		
	57M7251	TERMINAL	1		
12	H131574	RETAINER	1		
13	AH125010	GROUND CABLE	1		
14	19M7865	SCREW	2		M8 X 16, TRANSMISSION SPEED
15	AH134296	WIRING HARNESS	1		STEERING COLUMN HARNESS
	AH134234	WIRING HARNESS	1		STEERING COLUMN (EXPORT-ITALY)
16	AH158473	WIRING HARNESS	1	-28SE98	
	AH162648	WIRING HARNESS	1	29SE98-	L.H. MAIN
	AH151771	WIRING HARNESS	1		W/GREENSTAR
17	AH96317	CLIP	2		
18	H132800	HOSE	1		SLEEVE FOR PROTECTION
19	03M7221	BOLT	1		M6 X 16
	14M7303	FLANGE NUT	1		M6
20	AH135787	ELECTRICAL PLUG	1		16 PIN CONNECTOR (HOLDER HARNESS)
	N282070	SOCKET CONTACT	1		
	RE42068	SOCKET CONTACT	3		
21	H130510	ELECTRICAL PLUG	1		TO AIR CONDITIONING HARNESS
22	03M7183	BOLT	1	-675497	M8 X 16
	14M7298	FLANGE NUT	1	-675497	M8
23	H134417	BRACKET	1		
24	H146306	PLUG	1		
25	RE12363	CONNECTOR	2		(USE WITH R78053 AND R78064) LEFT AND RIGHT SIDE OPTICAL LAMP
	R78063	SOCKET CONTACT	AR		
26	R78056	PIN CONTACT CONNECTOR BODY	1		TO HEADER R.H. SENSOR HARNESS
	57M7251	TERMINAL	1		(USE WITH R78059)
27	AH89557	CLIP	8		

1G22

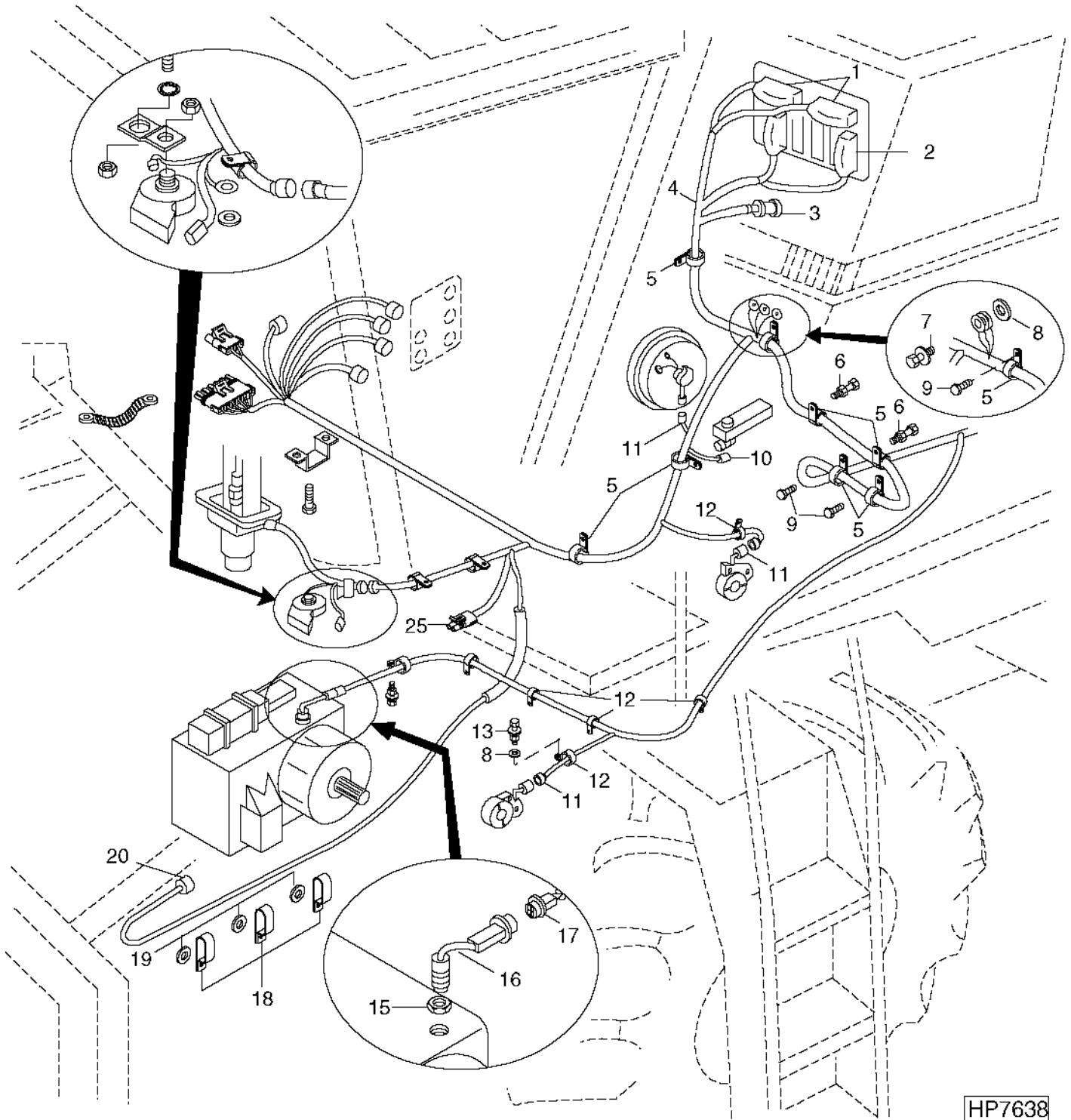
ELECTRICAL

L.H. MAIN WIRING HARNESS, L.H. FRONT

(-680400)

HP7638

-UN-30NOV98



HP7638

1G23

ELECTRICAL

L.H. MAIN WIRING HARNESS, L.H. FRONT - CONTINUED
 (-680400)

KEY	PART NO.	PART NAME	QTY	SERIAL NO.	REMARKS
1	H132513	CONNECTOR	1		22 HOLES, FEMALE - FOR CEM
	H141127	BOOT	2		FOR CEM
	M86436	TIE BAND	1		
	SOCKET CONTACT	AR		FOR CEM - SIZE 12 - 8 USED
	R78065	SOCKET CONTACT	AR		FOR CEM - SIZE 16 - 12 USED
	SOCKET CONTACT	AR		FOR CEM - SIZE 4 - 1 USED
	AH136356	SCREW AND WASHER KIT	1		REPAIRS TWO CONNECTORS (BOTH HALVES)
2	H141127	BOOT	3		FOR CEM
	H141406	TIE BAND	3		FOR CEM
	R77463	SOCKET CONTACT	3		FOR CEM
	R77465	SOCKET CONTACT	AR		FOR CEM
3	H118427	CONNECTOR	1		22 HOLES (MIXED) TO GRAIN TANK
	R77463	SOCKET CONTACT	AR		
	R77465	SOCKET CONTACT	AR		
4	AH162647	WIRING HARNESS	1		
	AH162648	WIRING HARNESS	1		
	AH151771	WIRING HARNESS	1		
5	AH77869	CLIP	8		
6	19M7865	SCREW	2		M8 X 16
	H131531	NUT	2		8 MM
7	37M7083	SCREW	1		M8 X 12
	24M7055	WASHER	1		8.400 X 16 X 1.600 MM
8	12M7032	LOCK WASHER	2		8.400 MM
9	37M7083	SCREW	3		M8 X 12
10	M43835	FLAT CONNECTOR	1		TO WINDSHIELD WASHER PUMP
	U46662	TERMINAL	1		
11	RE12363	CONNECTOR	3		(PKG OF 3) TO HEADER CLUTCH, TAILING ELEV. LSSM, CONVEYOR AUGER LSSM
	R78048	TERMINAL NIPPLE	1		(PKG OF 40)
	R78060	SOCKET CONTACT	1		(PKG OF 40)
12	AH89557	CLIP	5		
13	37M7059	SCREW	1		M5 X 12
	24M7055	WASHER	1		8.400 X 16 X 1.600 MM
	14M7298	FLANGE NUT	1		M8
14	AH140605	SWITCH	1		MANUAL PARK BRAKE
15	H104418	NUT	1		19.050 MM (3/4")
16	AH116104	SENSOR	1		TRANSMISSION SPEED
17	R78053	PIN CONTACT CONNECTOR BODY	1		(PKG OF 3) TO GROUND SPEED SENSOR
	R78063	TERMINAL NIPPLE	1		(PKG OF 5)
18	AH96317	CLIP	3		
19	12M7032	LOCK WASHER	3		8.400 MM (0.331")

1G25

ELECTRICAL

L.H. MAIN WIRING HARNESS, L.H. FRONT - CONTINUED
(680401-)

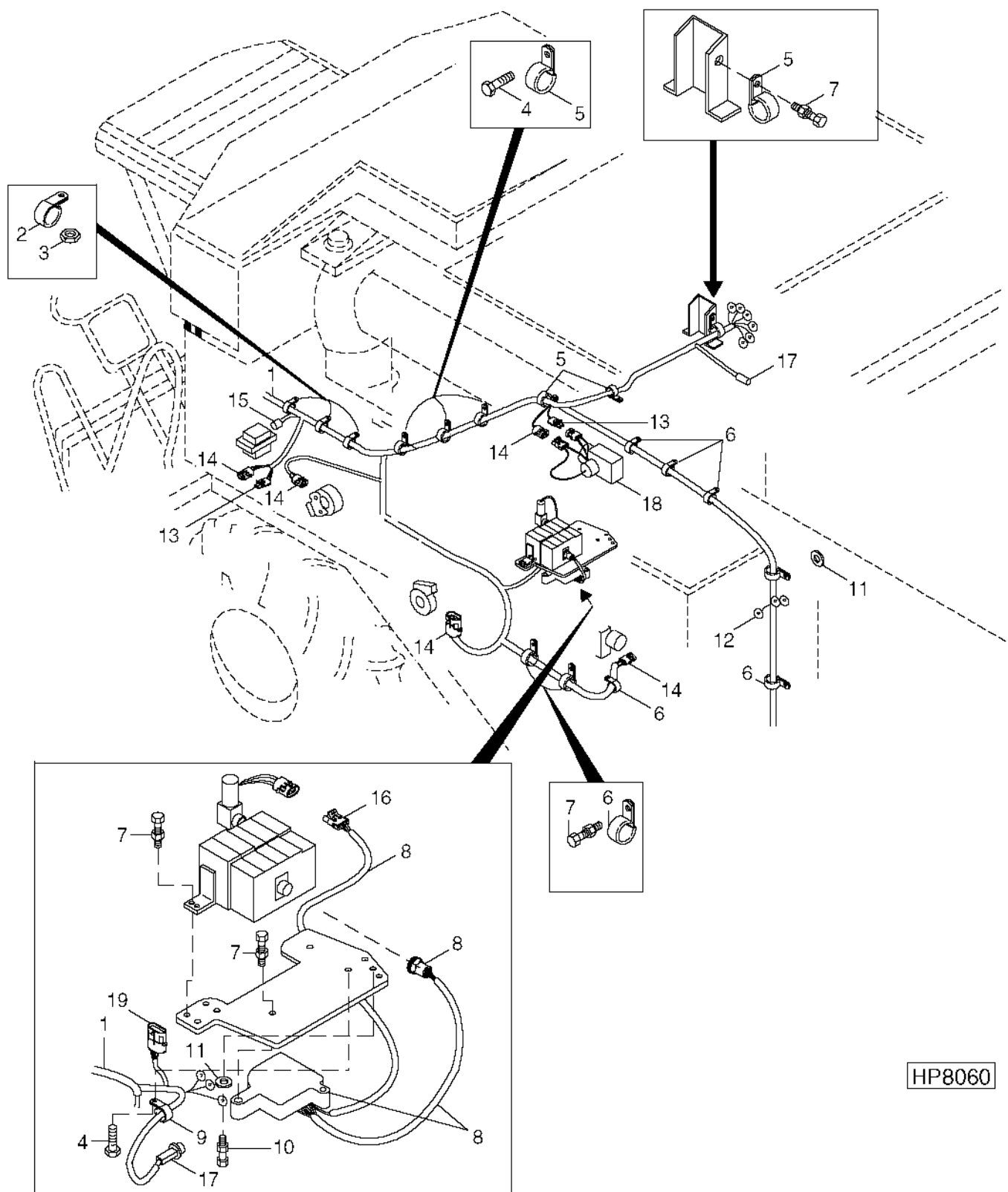
KEY	PART NO.	PART NAME	QTY	SERIAL NO.	REMARKS
1	H141127	BOOT	2		FOR CEB
	H132513	CONNECTOR	2		TO CEB BOARD SLOT 1A AND 1B
	R78067	SOCKET CONTACT	AR		
	57M7546	TERMINAL	AR		
	N282070	SOCKET CONTACT	AR		USE ON BOARD SLOT 1A
	R75036	SOCKET CONTACT	AR		
2	57M7818	ELECTRICAL PLUG	1		TO DASH
	H141406	TIE BAND	3		FOR CEM
	RE42068	SOCKET CONTACT	3		
3	H118427	CONNECTOR	1		22 HOLES (MIXED) TO GRAIN TANK
	N282070	SOCKET CONTACT	1		
	RE42068	SOCKET CONTACT	5		
4	AH158473	WIRING HARNESS	1	680521-	
	AH162647	WIRING HARNESS	1		L.H. MAIN
	AH162648	WIRING HARNESS	1		L.H. MAIN
	AH151771	WIRING HARNESS	1		
5	AH77869	CLIP	8		
6	19M7865	SCREW	2		M8 X 16
	H131531	NUT	2		8 MM
7	37M7083	SCREW	1		M8 X 12
	24M7055	WASHER	1		8.400 X 16 X 1.600 MM
8	12M7032	LOCK WASHER	2		8.400 MM
9	37M7083	SCREW	3		M8 X 12
10	M43835	FLAT CONNECTOR	1		
	U46662	TERMINAL	1		
11	RE12363	CONNECTOR	3		(PKG OF 3) TO HEADER CLUTCH, TAILING ELEV. LSSM, CONVEYOR AUGER LSSM
	R78048	TERMINAL NIPPLE	1		(PKG OF 40)
	R78057	SOCKET CONTACT	2		(USE WITH R78059) TAILINGS ELEV. LSSM
	R78063	SOCKET CONTACT	1		HEADER CLUTCH
12	AH89557	CLIP	5		
13	37M7059	SCREW	1		M5 X 12
	24M7055	WASHER	1		8.400 X 16 X 1.600 MM
	14M7298	FLANGE NUT	1		M8
14	AH140605	SWITCH	1		MANUAL PARK BRAKE
15	H104418	NUT	1		19.050 MM (3/4")
16	AH116104	SENSOR	1		TRANSMISSION SPEED
17	R78053	PIN CONTACT CONNECTOR BODY	1		(PKG OF 3) TO GROUND SPEED SENSOR
18	AH96317	CLIP	3		
19	12M7032	LOCK WASHER	3		8.400 MM (0.331")
20A	Z55270	ELECTRICAL PLUG	1		TO LATERAL TILT CONTROL
	Z55267	ELECTRICAL PLUG	1		TO DIAL-A-MATIC AHHC
	RE42068	SOCKET CONTACT	AR		
20B	AH168231	WIRING HARNESS	1		WIRING HARNESS REPAIR KIT (INCLUDES MATING CONNECTOR AND TERMINALS)

1H1

ELECTRICAL

L.H. MAIN WIRING HARNESS, L.H. CENTER
(-680400)

HP8060 -UN-07DEC98



HP8060

L.H. MAIN WIRING HARNESS, L.H. CENTER - CONTINUED
(-680400)

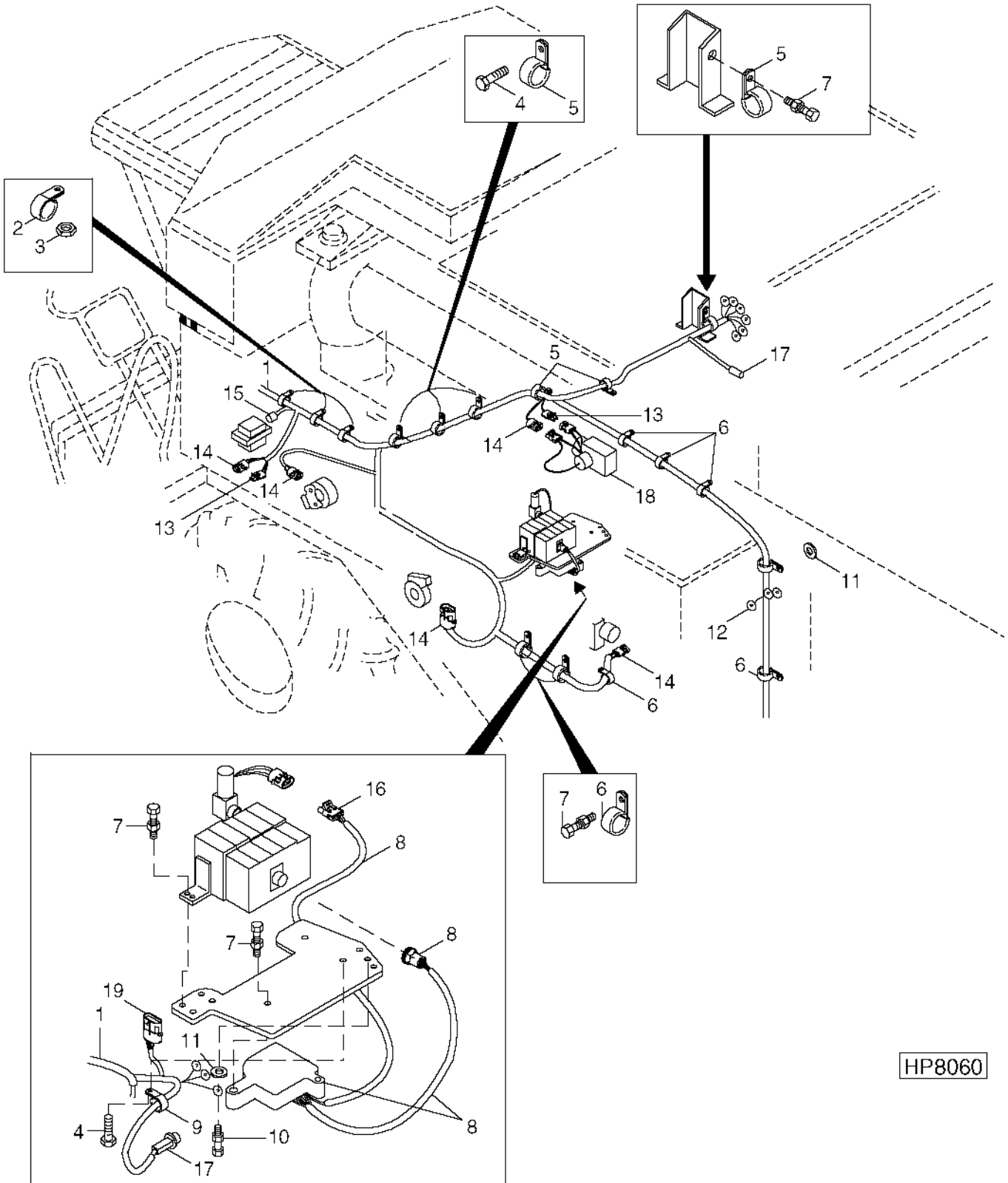
KEY	PART NO.	PART NAME	QTY	SERIAL NO.	REMARKS
1	AH158473	WIRING HARNESS	1		
	AH151771	WIRING HARNESS	1		
2	AH130222	CLAMP	3		
	AH130223	CLAMP	10		
3	14M7299	FLANGE NUT	3	M12	
4	37M7083	SCREW	3	M8 X 12	
5	AH90990	CLIP	5		
6	AH89557	CLIP	9		
7	19M7865	SCREW	5	M8 X 16	
	14M7298	FLANGE NUT	5	M8	
8	AH129045	MODULE	1	(LOGIC) INCLUDES CONNECTOR AND RETAINER	
	H118426	CONNECTOR	1	29 PIN	
	R77458	CONNECTOR	1		
9	AH96317	CLIP	1		
10	37M7083	SCREW	1	M8 X 12	
	37M7058	SCREW	1	M8 X 20, (IMPORT)	
	24M7055	WASHER	1	8.400 X 16 X 1.600 MM	
11	12M7032	LOCK WASHER	2	8.400 MM	
12	24M7055	WASHER	1	8.400 X 16 X 1.600 MM	
13	R78053	PIN CONTACT CONNECTOR BODY	2	MALE, (PKG OF 3) TO HYDRO CHARGE PRESSURE, GROUND SPEED LSSM	
	R78063	TERMINAL NIPPLE	1	(PKG OF 40)	
14	RE12363	CONNECTOR	1	TO CONVEYOR AUGER LSSM	
	R78048	TERMINAL NIPPLE	1	(PKG OF 5)	
15	AE44392	CONNECTOR	1	4 HOLES (FEMALE) TO REEL SPEED ACTUATOR	
	R77465	SOCKET CONTACT	1		
16	RE12363	CONNECTOR	1	(PKG OF 3) TO DIAL-A-MATIC DROP RATE SOLENOID	
	R78048	TERMINAL NIPPLE	1	(PKG OF 5)	
	R78060	SOCKET CONTACT	2	(PKG OF 40)	
17	AH135787	ELECTRICAL PLUG	1	16 HOLE CONNECTOR, TO ENGINE LOGIC MODULE	
	H141325	CONNECTOR	1		
18	AH128929	SWITCH	1	HYDRO CHARGER PRESSURE	
19	R78055	PIN CONTACT CONNECTOR BODY	1	TO TILT VALVES	
	R78058	PIN CONTACT	1	(PKG OF 40) (18 GA. WIRE)	
	R78061	PIN CONTACT	AR	(PKG OF 40) (16 GA. WIRE)	
	R78063	TERMINAL NIPPLE	1	(PKG OF 40) (16 GA. WIRE) (GRAY)	
	R78059	ELECTRICAL PLUG	1	(PKG OF 40) (18 GA. WIRE) (GREEN)	

1H3

ELECTRICAL

L.H. MAIN WIRING HARNESS, L.H. CENTER - CONTINUED

(680401-)
HP8060 -UN-07DEC98



HP8060

1H4

ELECTRICAL

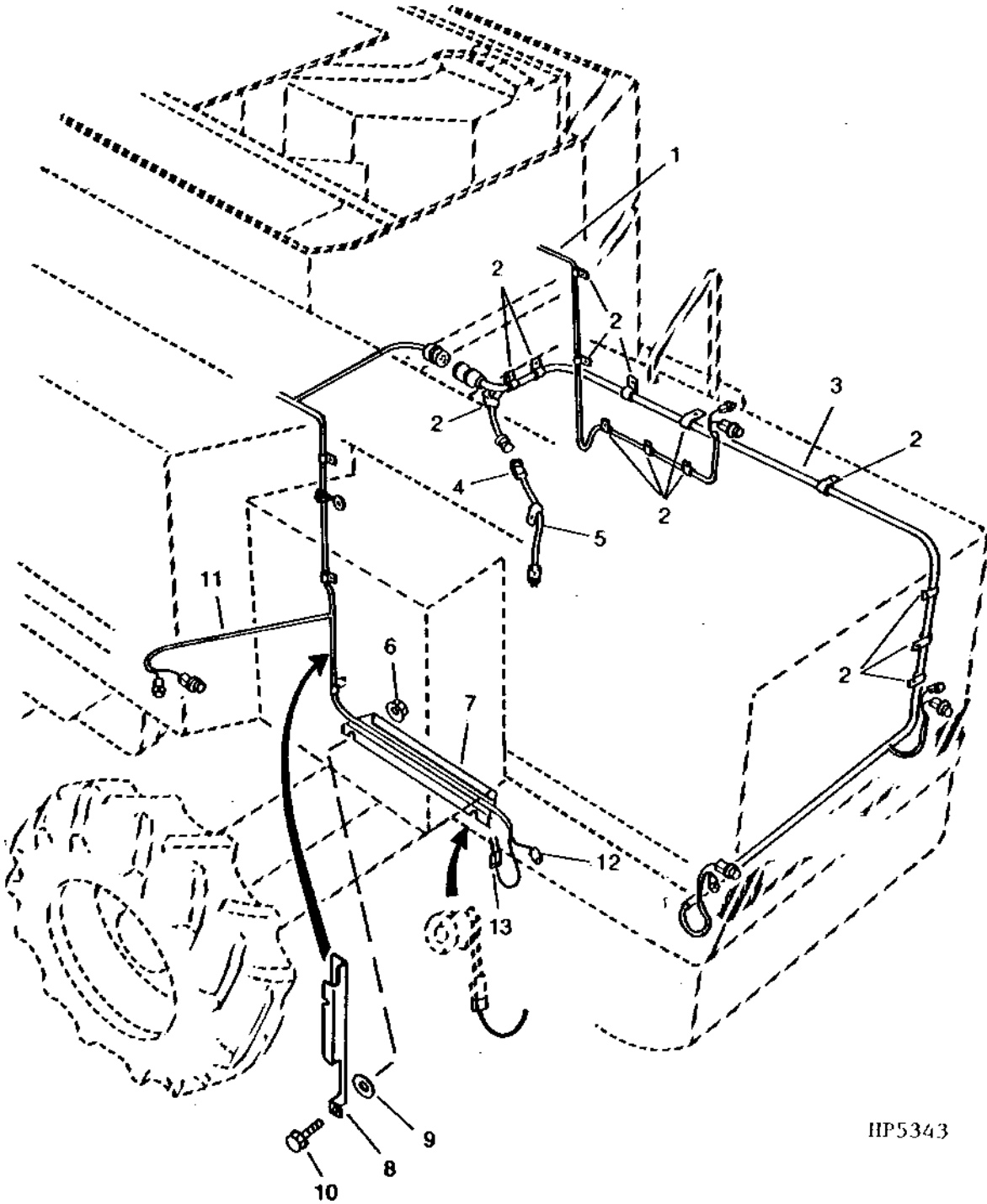
L.H. MAIN WIRING HARNESS, L.H. CENTER - CONTINUED
(680401-)

KEY	PART NO.	PART NAME	QTY	SERIAL NO.	REMARKS
1	AH158473	WIRING HARNESS	1	680521-	L.H. MAIN
	AH162647	WIRING HARNESS	1		L.H. MAIN
	AH162648	WIRING HARNESS	1		L.H. MAIN
2	AH151771	WIRING HARNESS	1		
	AH130222	CLAMP	3		
	AH130223	CLAMP	10		
3	14M7299	FLANGE NUT	3		M12
4	37M7083	SCREW	3		M8 X 12
5	AH90990	CLIP	5		
6	AH89557	CLIP	9		
7	19M7865	SCREW	5		M8 X 16
	14M7298	FLANGE NUT	5		M8
	AH129045	MODULE	1		LOGIC (INCLUDES CONNECTOR AND RETAINER)
8	H118426	CONNECTOR	1		29 PIN
	R77458	CONNECTOR	1		
	AH96317	CLIP	1		
10	37M7083	SCREW	1		M8 X 12
	37M7058	SCREW	1		M8 X 20, (IMPORT)
	24M7055	WASHER	1		8.400 X 16 X 1.600 MM
11	12M7032	LOCK WASHER	2		8.400 MM
12	24M7055	WASHER	1		8.400 X 16 X 1.600 MM
13	R78053	PIN CONTACT CONNECTOR BODY	1		MALE, (PKG OF 3) TO HYDRO CHARGE PRESSURE, GROUND SPEED LSSM
	R78058	PIN CONTACT	AR		(USE WITH R78059)
14	RE12363	CONNECTOR	1		TO CONVEYOR AUGER LSSM
	R78057	SOCKET CONTACT	1		
	R78067	SOCKET CONTACT	2		
15	AE44392	CONNECTOR	1		4 HOLES (FEMALE) TO REEL SPEED ACTUATOR
	RE42068	SOCKET CONTACT	1		
16	RE12363	CONNECTOR	1		(PKG OF 3) TO DIAL-A-MATIC DROP RATE SOLENOID
	R78048	TERMINAL NIPPLE	1		(PKG OF 5)
	R78060	SOCKET CONTACT	1		(PKG OF 40)
17	AH135787	ELECTRICAL PLUG	1		16 HOLE CONNECTOR, TO ENGINE LOGIC MODULE
	RE42068	SOCKET CONTACT	1		
	57M7546	TERMINAL	1		
	N282070	SOCKET CONTACT	1		
18	AH128929	SWITCH	1		HYDRO CHARGER PRESSURE
19	R78055	PIN CONTACT CONNECTOR BODY	1		TO TILT VALVES
	R78058	PIN CONTACT	1		(PKG OF 40) (18 GA. WIRE)
	R78061	PIN CONTACT	AR		(PKG OF 40) (16 GA. WIRE)
	R78063	TERMINAL NIPPLE	1		(PKG OF 40) (16 GA. WIRE) (GRAY)
	R78059	ELECTRICAL PLUG	1		(PKG OF 40) (18 GA. WIRE) (GREEN)

1H5

ELECTRICAL

REAR HOOD AND MODULE WIRING HARNESSSES
HP5343 -UN-01JAN94



HP5343

1H6

ELECTRICAL

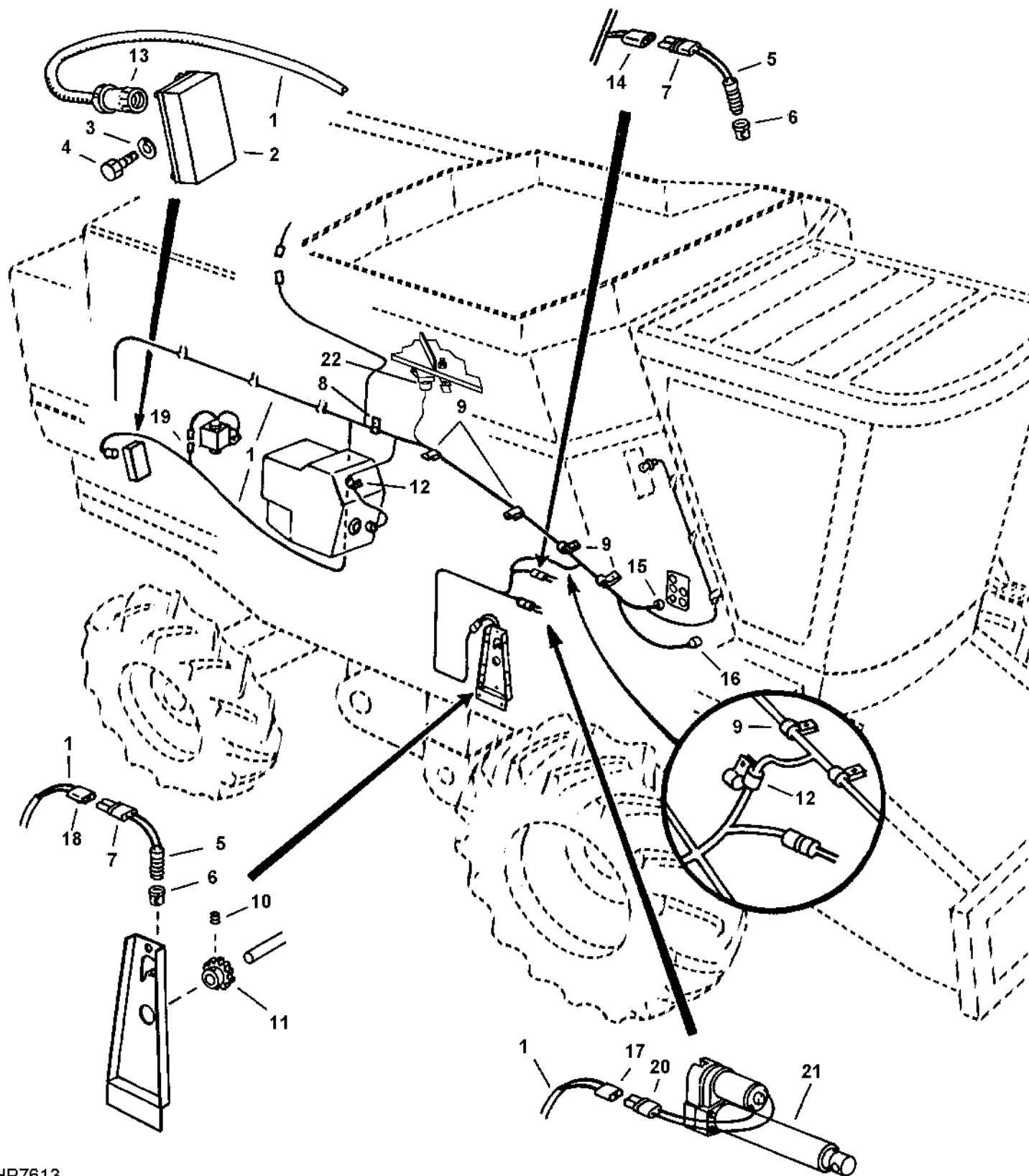
REAR HOOD AND MODULE WIRING HARNESSSES - CONTINUED

KEY	PART NO.	PART NAME	QTY	SERIAL NO.	REMARKS
1	AH155916	WIRING HARNESS	1		R.H. MAIN, (WITHOUT GREENSTAR)
	AH154828	WIRING HARNESS	1		R.H. MAIN, (WITH GREENSTAR)
2	AH89557	CLIP	16		
3	AH159235	WIRING HARNESS	1		REAR HOOD
4	RE12363	CONNECTOR	1		
5	AH134292	WIRING HARNESS	1		MODULE - LOW SHAFT SPEED MONITOR (LSSM)
6	14M7298	FLANGE NUT	2		M8
7	H139557	SHIELD	1		
8	H139558	SHIELD	1		
9	24H1909	WASHER	1		13/32" X 1-3/8" X 1/4"
10	19M8291	SCREW	2		M8 X 35
11	AH134229	WIRING HARNESS	1		L.H. MAIN
	AH145024	WIRING HARNESS	1		(SUB AH158988) L.H. MAIN ITALIAN, SERVICE ONLY
	AH158988	WIRING HARNESS	1		L.H. MAIN
12	R78053	PIN CONTACT CONNECTOR BODY	1		(PKG OF 3)
	R78063	TERMINAL NIPPLE	1		(PKG OF 40)
13	RE12363	CONNECTOR	1		(PKG OF 3)
	R78048	TERMINAL NIPPLE	1		(PKG OF 5)
..	AH140120	KIT	1		SOCKET KIT (INCLUDES ONE LARGE REAR SOCKET AND ONE SMALL SIDE SOCKET)

1H7

ELECTRICAL

R.H. MAIN WIRING HARNESS
HP7613 -UN-31AUG98



HP7613

1H8

ELECTRICAL

R.H. MAIN WIRING HARNESS - CONTINUED

KEY	PART NO.	PART NAME	QTY	SERIAL NO.	REMARKS
1	AH155916	WIRING HARNESS	1		W/O GREENSTAR
	AH154828	WIRING HARNESS	1		W/GREENSTAR
2	AH125744	RELAY MODULE	1		HARVESTRAK
3	12H310	LOCK WASHER	1		3/8"
4	37M7058	SCREW	1		M8 X 20
5	AH116104	SENSOR	2		LOW SHAFT SPEED
6	H121110	CLIP	2		(SUB H160880)
	H160880	CLIP	2		
7	RE12363	CONNECTOR	1		(PKG OF 3)
	R78048	TERMINAL NIPPLE	1		(PKG OF 5)
	R78060	SOCKET CONTACT	2		(PKG OF 40)
8	AH90990	CLIP	1		
9	H117952	CLAMP	6		
10	22M7027	SET SCREW	1		M6 X 16
11	H122372	WHEEL	1		TONE WHEEL ON LOW SHAFT SPEED MONITOR
12	AH89557	CLIP	2		
13	AE44392	CONNECTOR	1		4 HOLES, FEMALE (INTO PRE-AMP MODULE)
	R77463	SOCKET CONTACT	AR		
14	R78053	PIN CONTACT CONNECTOR BODY	1		(PKG OF 3)
	R78063	TERMINAL NIPPLE	2		(PKG OF 40)
	R78058	PIN CONTACT	2		(PKG OF 40)
	R78059	ELECTRICAL PLUG	1		(PKG OF 40)
15	R77457	ELECTRICAL PLUG	1		37 HOLES, FEMALE (TO CAB MAIN)
16	R77465	SOCKET CONTACT	AR		FOR 16 HOLE CONNECTOR (TO L-H MAIN)
17	R78053	PIN CONTACT CONNECTOR BODY	1		(PKG OF 3) (TO CONCAVE ACTUATOR)
	R78063	TERMINAL NIPPLE	2		(PKG OF 40)
	R78061	PIN CONTACT	2		(PKG OF 40)
18	R78053	PIN CONTACT CONNECTOR BODY	1		(PKG OF 3)
	R78063	TERMINAL NIPPLE	1		(PKG OF 40)
	R78058	PIN CONTACT	2		(PKG OF 40)
	R78059	ELECTRICAL PLUG	2		(PKG OF 40)
19	T28583	RECEPTACLE CONNECTOR BODY	1		INTO FUEL PUMP
	U46662	TERMINAL	1		
20	RE12363	CONNECTOR	1		(PKG OF 3)
	R78048	TERMINAL NIPPLE	2		(PKG OF 5)
	R78060	SOCKET CONTACT	2		(PKG OF 40)
21	AH134728	ACTUATOR	1	-675944	
	AH160107	ACTUATOR	1	675945-	
22	RE65347	RELAY MODULE	1	680401-	TERMINATOR

1H10

ELECTRICAL

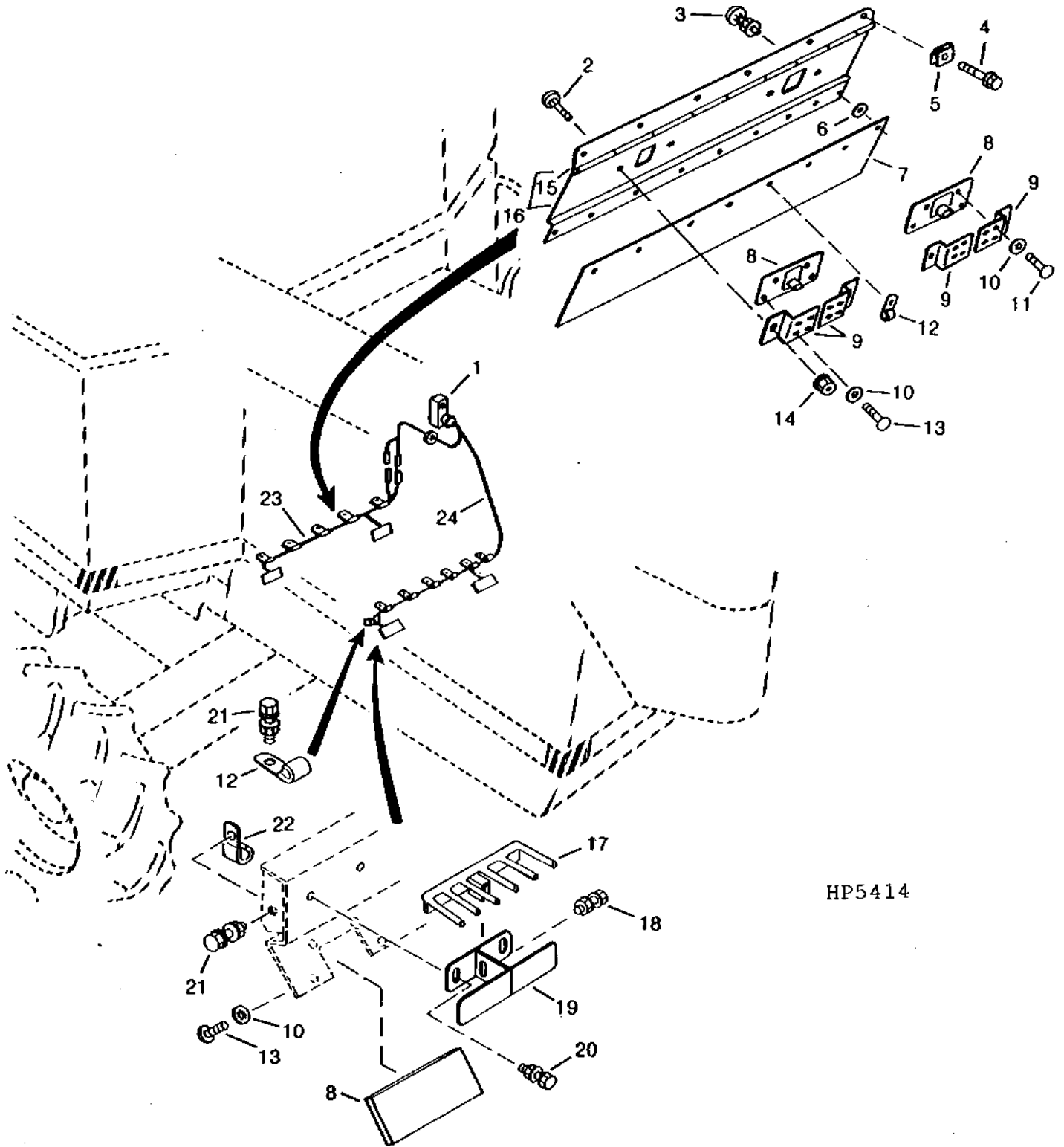
UNLOADING AUGER SENSOR AND WIRING HARNESS - CONTINUED

KEY	PART NO.	PART NAME	QTY	SERIAL NO.	REMARKS
1	W38051	PIN	1		
2	BRACKET	1		(SUB AH145769) SENSOR
3	24M7028	WASHER	1		10.500 X 20 X 2 MM (0.413" X 0.787" X 0.079")
4	COVER	1		(SUB AH145769) SENSOR BRACKET
5	37M7079	SCREW	4		M6 X 12, SELF-TAPPING
6	H140628	NUT	2		SPEED
7	AH130603	ACTUATOR	1	-1DEC97	MAGNET
	AH150473	ACTUATOR	1	1DEC97-	
8	37M7071	SCREW	2		SELF-TAPPING
9	H149788	TORSION SPRING	1		
10	BRACKET	1		(SUB AH145769)
11	37M7215	SCREW	2		
12	AH130602	REED SWITCH	1		
13	11M7012	COTTER PIN	1		3.200 X 16 MM (0.126" X 0.630")
14	AH145769	SENSOR	1		UNLOADING AUGER
15	AH89557	CLIP	3		(SUB AH90990) ONE USED WITH SOLID AUGER HOUSING, 3 USED WITH PERFORATED AUGER HOUSING.
	AH90990	CLIP	AR		
16	RE12363	CONNECTOR	1		(PKG. OF 3)
	R78048	TERMINAL NIPPLE	1		
	R78059	ELECTRICAL PLUG	2		(PKG. OF 40)
17	AH143761	WIRING HARNESS	1		
18	R78053	PIN CONTACT CONNECTOR BODY	1		(PKG OF 3)
	R78058	PIN CONTACT	2		(PKG OF 40)
	R78059	ELECTRICAL PLUG	2		(PKG. OF 40)
19	24M7028	WASHER	3		10.500 X 20 X 2 MM (0.413" X 0.787" X 0.079")

1H11

ELECTRICAL

HARVESTRAK MONITOR SYSTEM AND WIRING HARNESS
HP5414 -UN-01JAN94



HP5414

1H12

ELECTRICAL

HARVESTRAK MONITOR SYSTEM AND WIRING HARNESS - CONTINUED

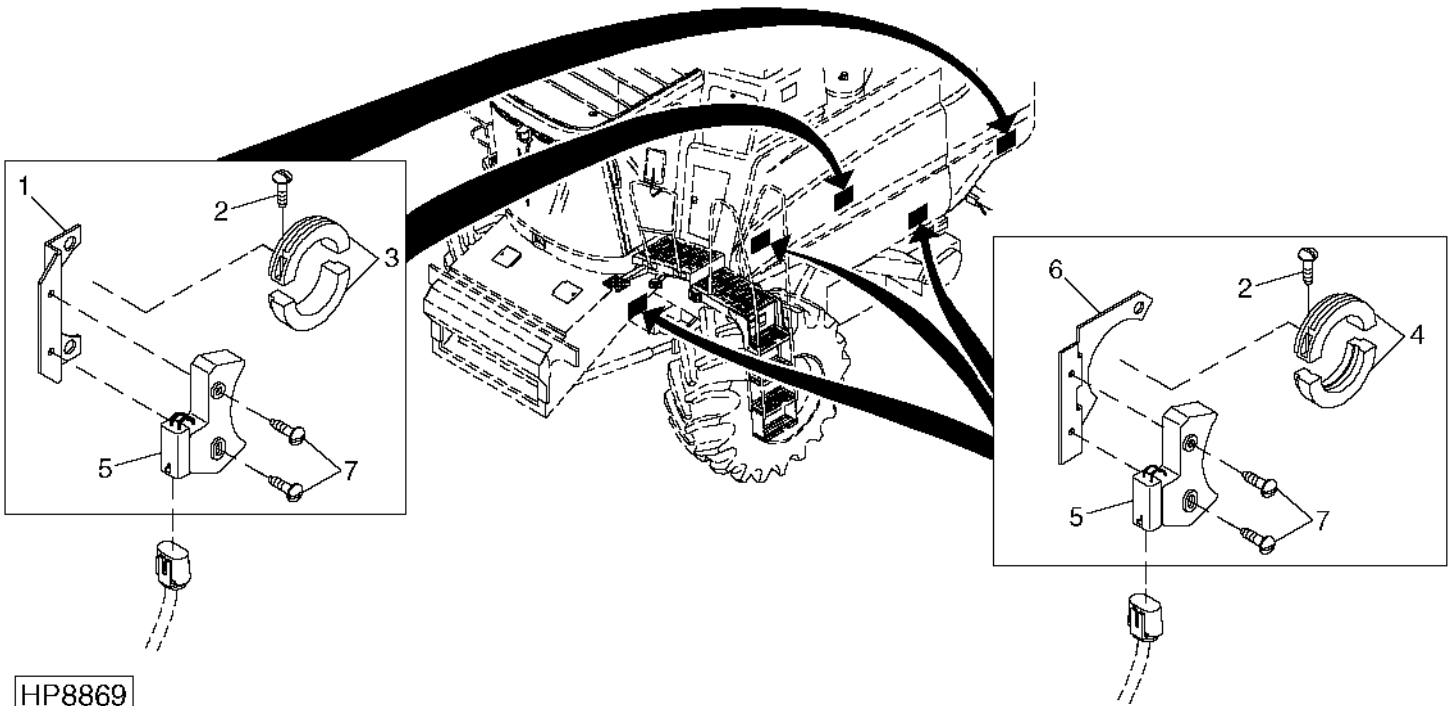
KEY	PART NO.	PART NAME	QTY	SERIAL NO.	REMARKS
1	AH125744	RELAY MODULE	1		PRE-AMP
2	03M7184	BOLT	8		M8 X 20
3	03M7185	BOLT	8		
	14M7298	FLANGE NUT	8		M8
4	19M7785	SCREW	6		
5	H146457	NUT	6		10 MM
6	24H1296	WASHER	6		11/32" X 1-3/8" X 0.134"
7	H155750	SEAL	1		
8	AH166546	SENSOR	4		(SUB FOR AH126272)
9	H146056	PLATE	4		
10	12H295	LOCK WASHER	16		0.190", (INTERNAL TOOTH)
11	24M7027	WASHER	1		ON UPPER R.H. SENSOR MOUNTING SCREW, R.H. SENSORS ONLY
12	AH89557	CLIP	12		
13	21H1427	SCREW	16		0.190" X 1/2"
14	14M7298	FLANGE NUT	4		M8
15	H146045	HINGE	1		
16	AH139990	DEFLECTOR	1		
	H143679	PIN	1		
17	H114411	FINGER	2		
18	19M7863	SCREW	2		M6 X 25
	14M7303	FLANGE NUT	2		M6
19	AH125672	DEFLECTOR	2		
20	19M7162	CAP SCREW	4		M8 X 16
	14M7298	FLANGE NUT	4		M8
21	19M7865	SCREW	8		M8 X 16
	14M7298	FLANGE NUT	8		M8
22	T74410	CLAMP	2		
23	AH139904	WIRING HARNESS	1		MAIN
24	AH139903	WIRING HARNESS	1		MODULE (ALSO INCLUDES (1) H94433 GROMMET
	H94433	GROMMET	1		
..	57M7298	TERMINAL	8		
..	57M7306	CONNECTOR	4		
..	57M7309	RECEPTACLE CONNECTOR BODY	4		
..	R78063	TERMINAL NIPPLE	8		
..	BH80118	COMPLETE GOODS/SHIP. BUNDLE	1		HARVESTRAK

1H13

ELECTRICAL

LOW SHAFT SPEED SENSORS AND BRACKETS

HP8869 -UN-28JUL99

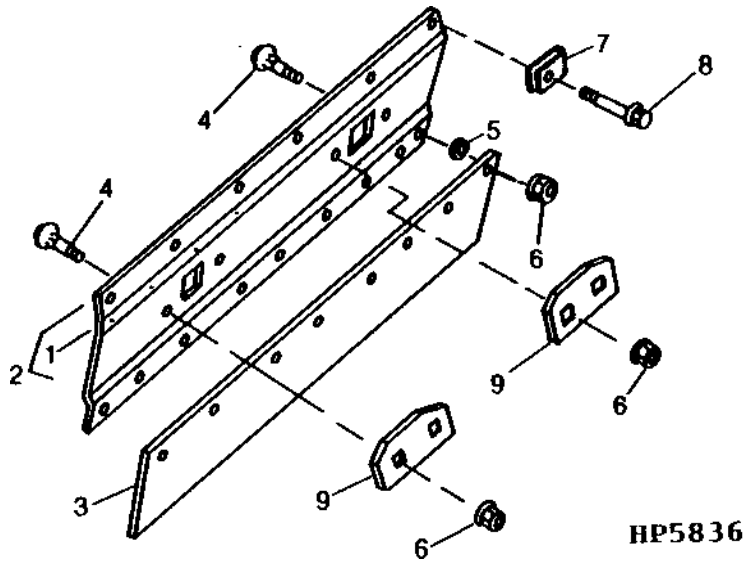


KEY	PART NO.	PART NAME	QTY	SERIAL NO.	REMARKS
1	H148270	BRACKET	2		
2	H168924	SCREW	AR		
3	AH161839	MAGNET	1		(SUB FOR H104793 OR H104794) LARGE
4	AH161838	MAGNET	1		(SUB FOR H104795 OR H104796) LARGE MAGNETIC
5	AH131320	SWITCH	5		
6	H148271	BRACKET	3		
7	37M7077	SCREW	10		4.8 X 32 MM (.1890" X 1.2598")

1H14

ELECTRICAL

DEFLECTOR LESS HARVESTRAK
 HP5836 -UN-01JAN94

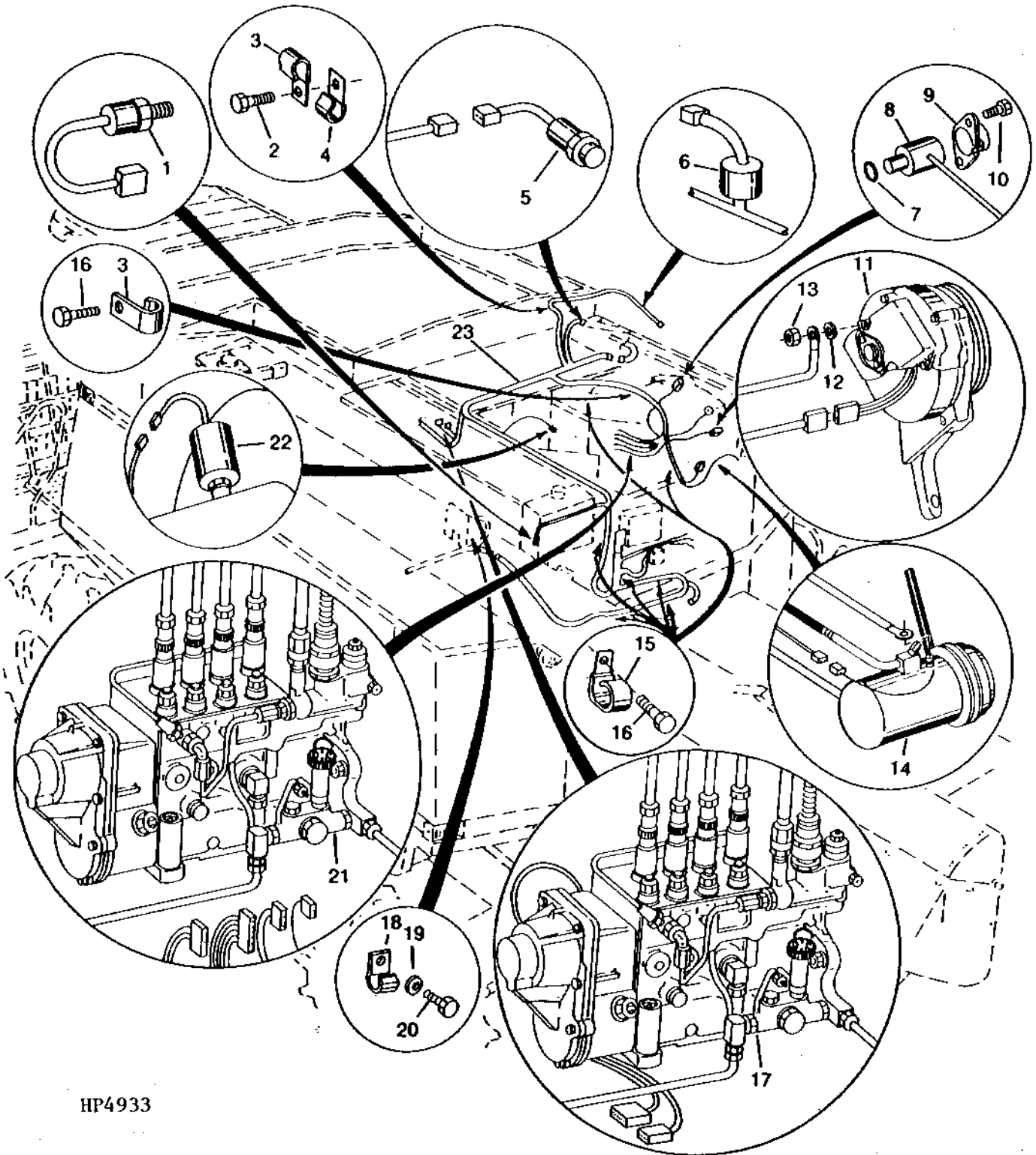


KEY	PART NO.	PART NAME	QTY	SERIAL NO.	REMARKS
1	H146045	HINGE	1		
2	AH139990	DEFLECTOR	1		
3	H146055	SEAL	1		
4	03M7185	BOLT	5	M8 X 25	
5	24H1296	WASHER	1	8.738 X 34.925 X 3.404 MM (11/32" X 1-3/8" X 0.134")	
6	14M7298	FLANGE NUT	5	M8	
7	H146457	NUT	6	10 MM (0.394")	
8	19M7785	SCREW	6	M10 X 25	
9	H144532	PLATE	2		

1H15

ELECTRICAL

HARNESS FOR ENGINE
(UPPER PARTS)
HP4933 -UN-01JAN94



HP4933

1H16

ELECTRICAL

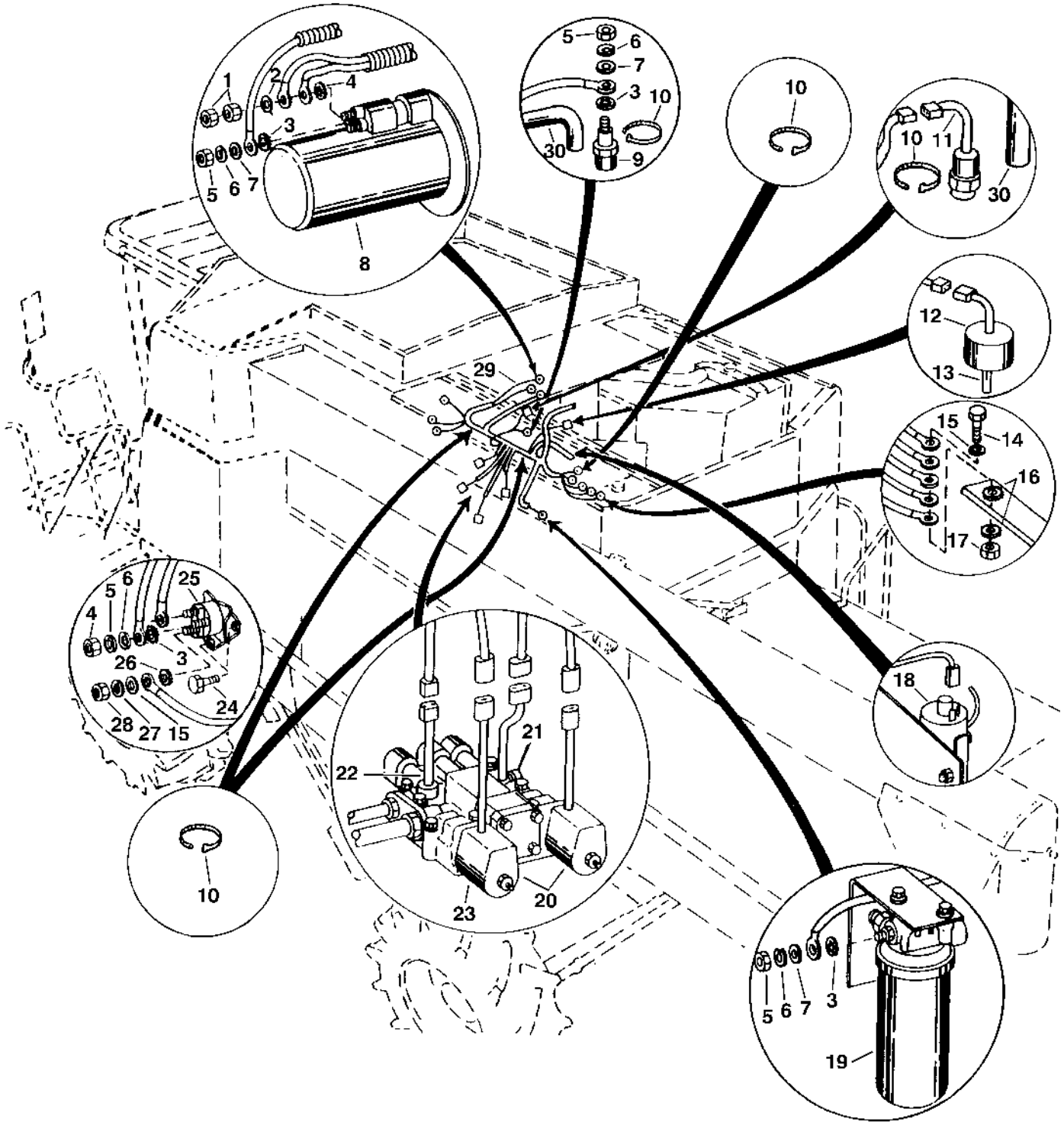
**HARNES FOR ENGINE - CONTINUED
(UPPER PARTS)**

KEY	PART NO.	PART NAME	QTY	SERIAL NO.	REMARKS
1	AH116105	SWITCH	1		FOR HYD. OIL TEMP.
2	19M7865	SCREW	1		M8 X 16
3	AH96317	CLIP	1		
4	AH89557	CLIP	1		
5	AH148258	SWITCH	1		
6	RE24307	HIGH PRESSURE SWITCH	1		FOR A/C HIGH PRESSURE
7	R79915	O-RING	1		
8	RE12180	SENSOR	1		FOR ENGINE TACH
9	R67230	COVER	1		
10	19H1948	CAP SCREW	2		1/4" X 3/4"
	12H302	LOCK WASHER	2		1/4"
	24H1287	WASHER	2		9/32" X 5/8" X 0.065"
11	ALTERNATOR	1		
12	12H297	LOCK WASHER	1		1/4"
13	14H786	NUT	1		1/4"
14	COMPRESSOR	1		REMANUFACTURED
15	AH89557	CLIP	3		
	AH96317	CLIP	AR		
16	19M7774	SCREW	1		M6 X 12
17	RE29583	FUEL INJECTION PUMP	1		(ROBERT BOSCH) (PES6P120A720RS3184)
18	AH90990	CLIP	1		
19	14M7298	FLANGE NUT	1		
20	19M7865	SCREW	1		M8 X 16
21	FUEL INJECTION PUMP	1		(NIPPONDENSO) (191000-5870)
22	AH148259	SWITCH	1		FOR AIR CLEANER (PLUGGED)
23	AH155522	WIRING HARNESS	1		
..	H116160	SEALANT	1		3 OZ. TUBE OF SEALANT

1H17

ELECTRICAL

HARNESS FOR ENGINE
(LOWER PARTS)
HP6970 -UN-22JAN98



HP6970

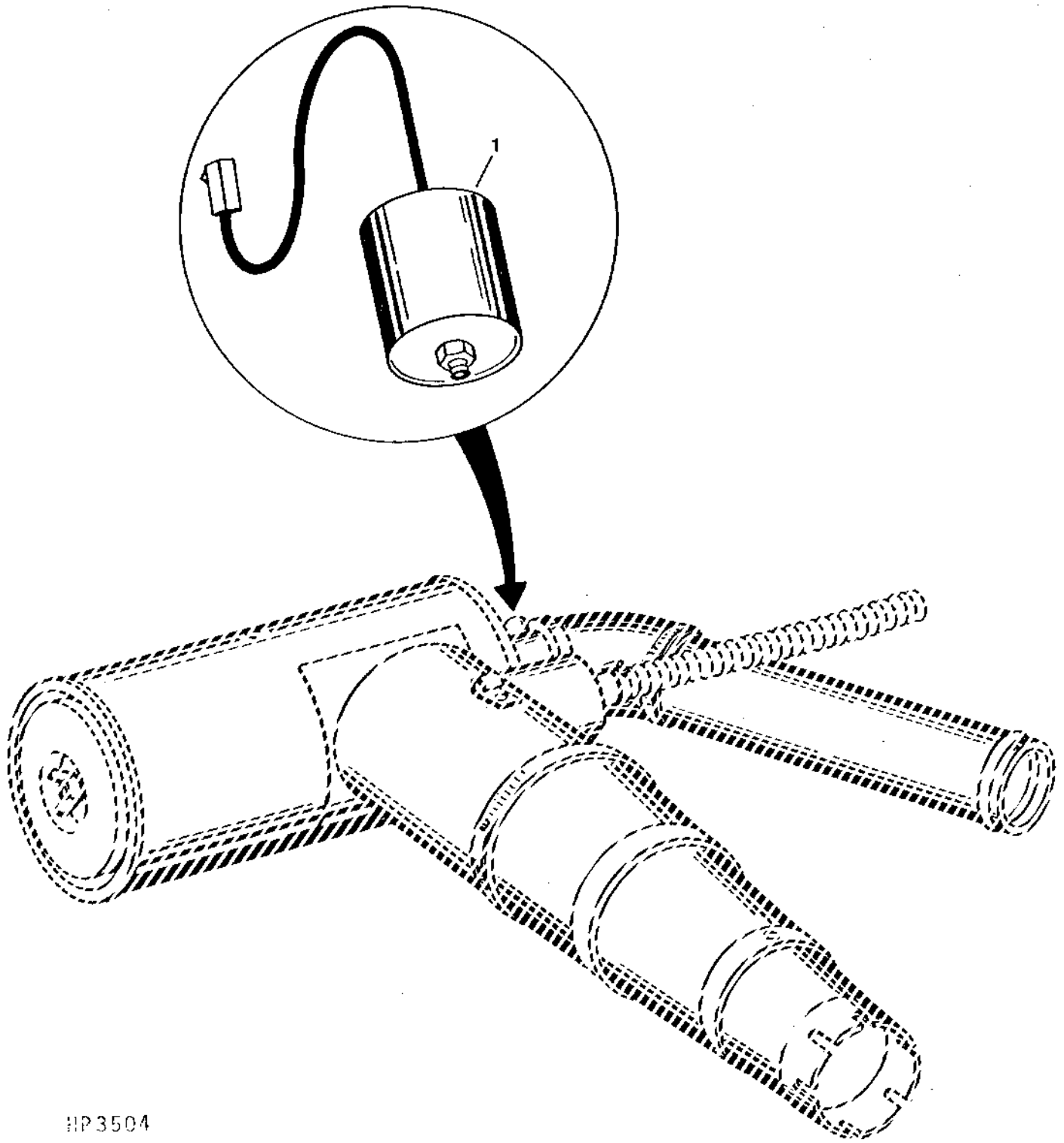
1H18

ELECTRICAL

**HARNES FOR ENGINE - CONTINUED
(LOWER PARTS)**

KEY	PART NO.	PART NAME	QTY	SERIAL NO.	REMARKS
1	14H826	NUT	2	1/2"	
2	24M7028	WASHER	1	10.500 X 20 X 2 MM	
3	12M7060	WASHER	4	5.300 MM (0.209")	
4	12M7034	LOCK WASHER	1	10.500 MM	
5	14H631	NUT	4	0.190"	
6	12H246	LOCK WASHER	4	0.190"	
7	24M7027	WASHER	4	5.300 X 10 X 1 MM	
8	STARTER MOTOR	1	(SEE ENGINE SECTION)	
9	AT37368	SENDER	1		
10	R44302	TIE BAND	4		
	H77698	TIE BAND	1		
11	AH158689	SWITCH	1		
12	AH133896	SWITCH	1		FOR ENGINE OIL PRESS
13	R53014	FITTING	1		
14	19M7868	SCREW	1	M8 X 30	
15	24M7055	WASHER	2	8.400 X 16 X 1.600 MM	
16	12M7032	LOCK WASHER	2	8.400 MM	
17	14M7298	FLANGE NUT	1	M8	
18	RE48310	STARTING AID SOLENOID	1		
19	HYDRAULIC FILTER	1		
20	AH128655	SOLENOID VALVE	1		
21	AH135744	SWITCH	1		
	R28782	O-RING	1		
22	AH116105	SWITCH	1		
	R26375	O-RING	1		
23	AH128785	SHUT-OFF VALVE	1		
24	37H147	SCREW	2		
25	AM53945	SOLENOID	1		
26	12M7032	LOCK WASHER	2	8.400 MM (0.331")	
27	12H303	LOCK WASHER	2	5/16"	
28	14H785	NUT	2	5/16"	
29	AH155522	WIRING HARNESS	1		
30	H138200	INSULATING SLEEVE	2		HEAT PROTECTION FOR ENGINE TEMP SENDER, SWITCH AND WIRES
..	H116160	SEALANT	1		3 OZ. TUBE OF SEALANT
..	BH79118	COMPLETE GOODS/SHIP. BUNDLE	1		TEMPERATURE SENSOR PROTECTION

ENGINE PLUGGED AIR FILTER WARNING SWITCH
HP3504 -UN-01JAN94



1H20

ELECTRICAL

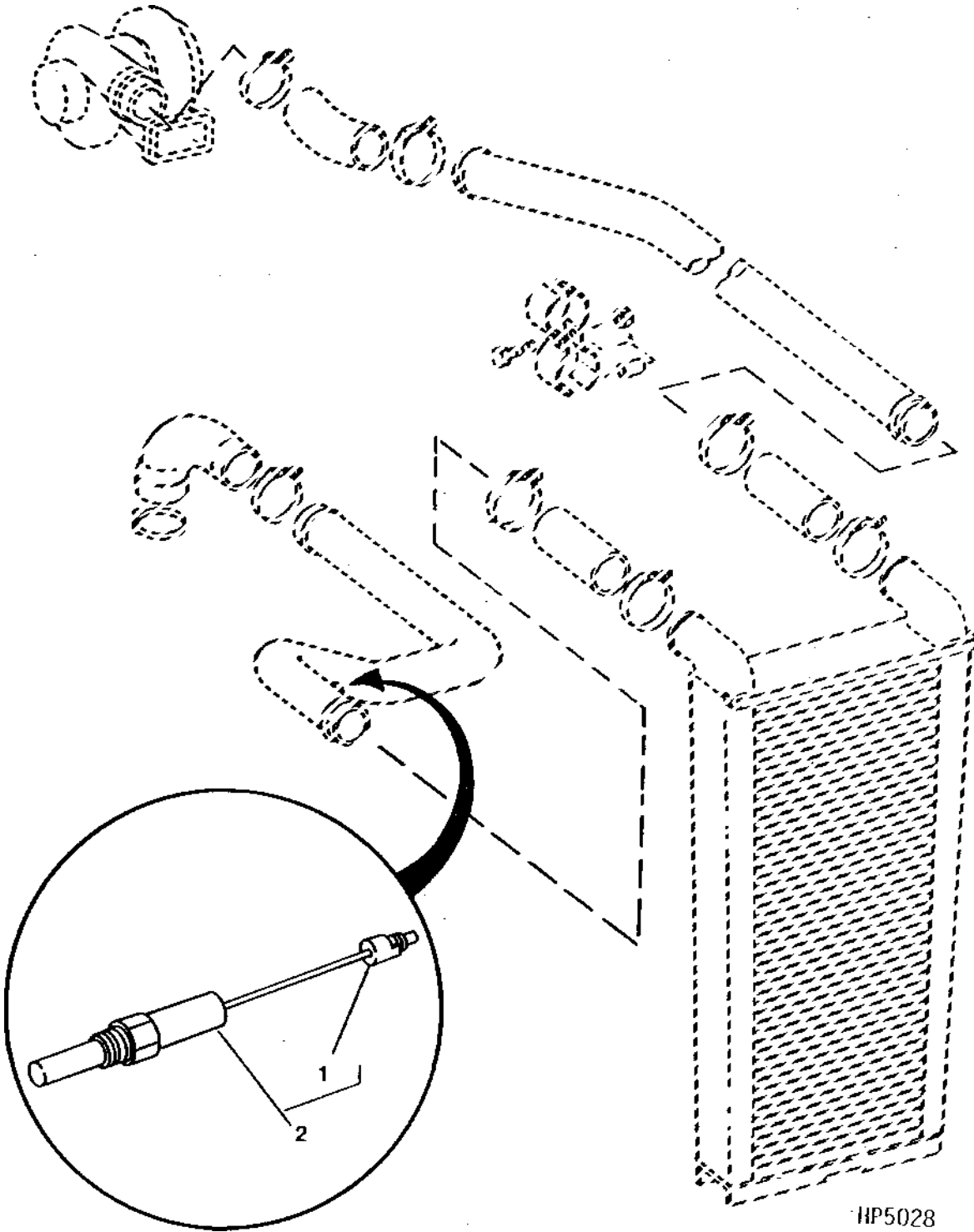
ENGINE PLUGGED AIR FILTER WARNING SWITCH - CONTINUED

KEY	PART NO.	PART NAME	QTY	SERIAL NO.	REMARKS
1	AH148259	SWITCH	1		

1H21

ELECTRICAL

INLET AIR TEMPERATURE SWITCH
HP5028 -UN-01JAN94



1H22

ELECTRICAL

INLET AIR TEMPERATURE SWITCH - CONTINUED

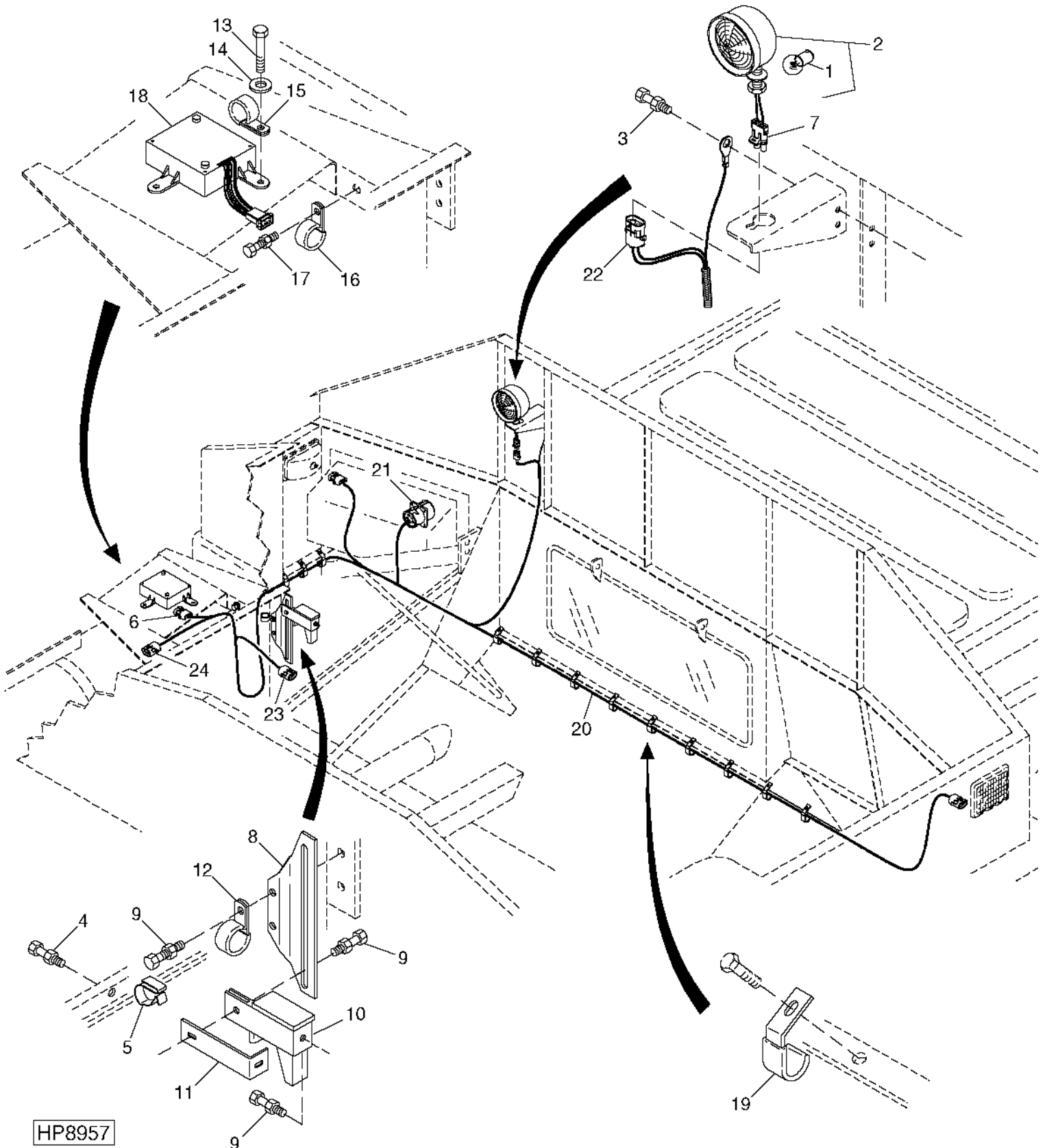
KEY	PART NO.	PART NAME	QTY	SERIAL NO.	REMARKS
1	RE12363	CONNECTOR	1		(PKG OF 3)
	R78060	SOCKET CONTACT	1		(PKG OF 40)
	R78063	TERMINAL NIPPLE	1		(PKG OF 40)
2	AH148258	SWITCH	1		

1H23

ELECTRICAL

GRAIN TANK WIRING HARNESS, LIGHT, LIMIT SWITCH AND LEVEL MONITOR

HP8957 -UN-02SEP99



HP8957

1H24

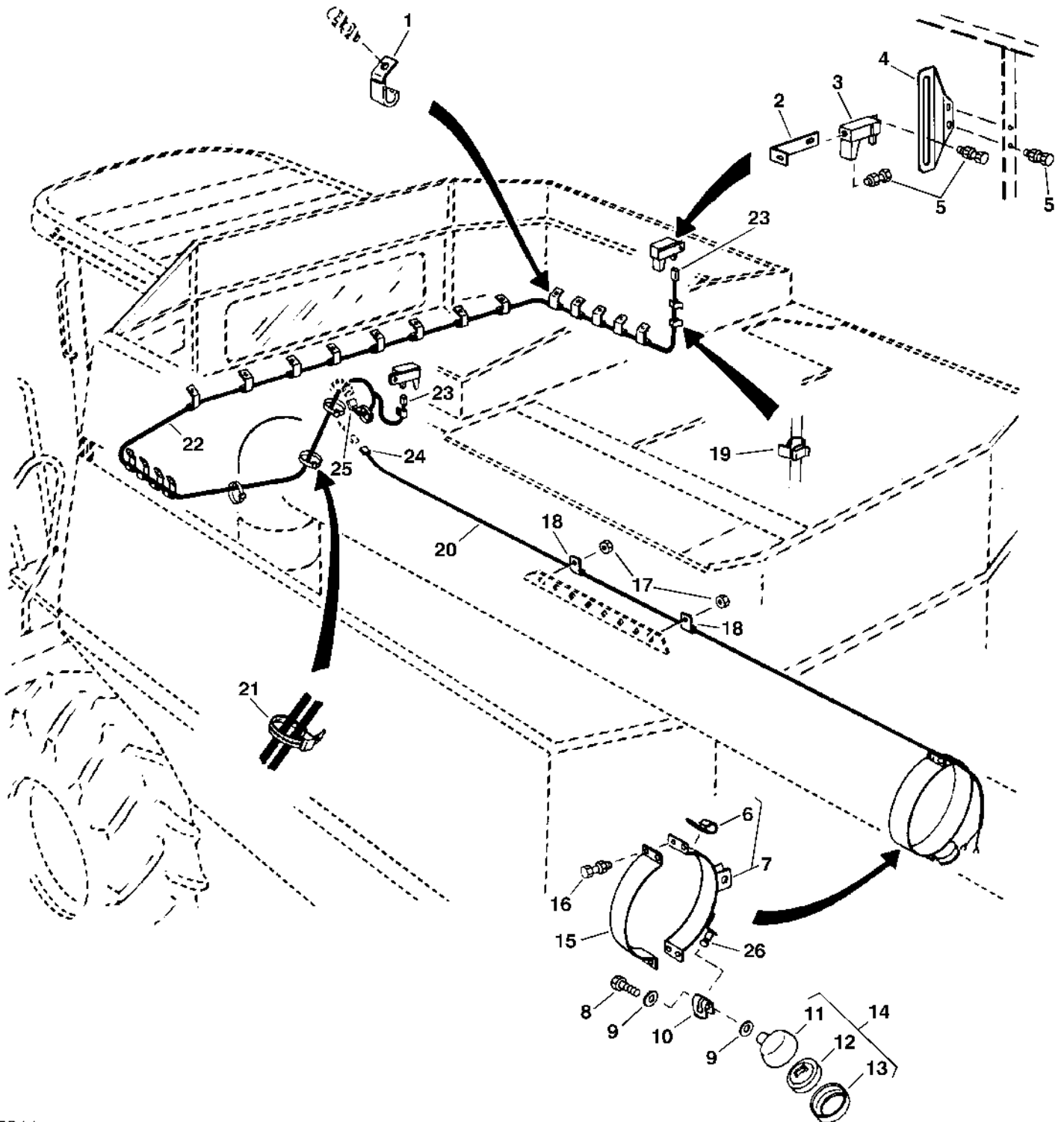
ELECTRICAL

GRAIN TANK WIRING HARNESS, LIGHT, LIMIT SWITCH AND LEVEL MONITOR - CONTINUED

KEY	PART NO.	PART NAME	QTY	SERIAL NO.	REMARKS
1	AD2062R	BULB	1		
2	AH152451	LAMP	1	-675633	
	AH148210	HEADLIGHT	1	675634-	
3	19M7865	SCREW	1		M8 X 16, (FOR WIRING HARNESS GROUND WIRE)
	14M7298	FLANGE NUT	1		M8
4	19M7866	SCREW	2		M8 X 20
	14M7298	FLANGE NUT	2		M8
5	H76064	CLIP	1		
6	RE12366	CONNECTOR	1		(PKG OF 2)
	R78051	SEAL	1		(PKG OF 5)
	R78060	SOCKET CONTACT	1		(PKG OF 40)
7	57M7305	PIN CONTACT CONNECTOR BODY	1		
8	H164536	BRACKET	1		
9	19M7775	SCREW	4		M6 X 16
	14M7303	FLANGE NUT	4		M6
10	AH121475	SENSOR	1		
11	R108404	STRAP	1		(SUB R108404)
12	T32231	CLAMP	1		
13	19M6755	CAP SCREW	1		M6 X 35
	19M7865	SCREW	2		M8 X 16
14	24M7054	WASHER	3		6.400 X 12 X 1.600 MM
	24M7139	WASHER	3		6.400 X 18 X 1.600 MM
15	AH89557	CLIP	1		
16	AH77724	CLIP	3		
17	19M7865	SCREW	1		M8 X 16
	14M7298	FLANGE NUT	1		M8
18	AH142999	SWITCH	1		(SUB AH163979) (SUB FOR AH140989) LIMIT (INCLUDES H148702)
	AH155480	MODULE	1		(A)
	AH163979	KIT	1		INCLUDES PARTS MARKED (A)
19	H130637	CLAMP	9		
	AH77869	CLIP	4		
20	AH154836	WIRING HARNESS	1		(SUB AH162650) WITHOUT GREENSTAR
	AH162650	WIRING HARNESS	1		WITHOUT GREENSTAR
	AH156962	WIRING HARNESS	1		(SUB AH162652) WITH GREENSTAR
	AH162652	WIRING HARNESS	1		WITH GREENSTAR
21	H118425	CONNECTOR	1		(22 HOLES, MIXED)
	AE44930	CONNECTOR	1		
	R78057	SOCKET CONTACT	1		(PKG OF 40)
	R78060	SOCKET CONTACT	1		(PKG OF 40)
22	RE12362	CONNECTOR	1		(PKG OF 3)
	R78047	SEAL	1		(PKG OF 5)
23	RE12363	CONNECTOR	1		(PKG OF 3)
	R78048	TERMINAL NIPPLE	1		(PKG OF 5)
	R78057	SOCKET CONTACT	1		(PKG OF 40)
24	R78053	PIN CONTACT CONNECTOR BODY	1		(PKG OF 3)
	R78063	TERMINAL NIPPLE	1		(PKG OF 40)
	R78060	SOCKET CONTACT	1		(PKG OF 40)
	R78061	PIN CONTACT	1		(PKG OF 40)

GRAIN TANK DUAL LEVEL MONITOR HARNESS AND UNLOADING AUGER LIGHT

HP7211 -UN-13OCT97



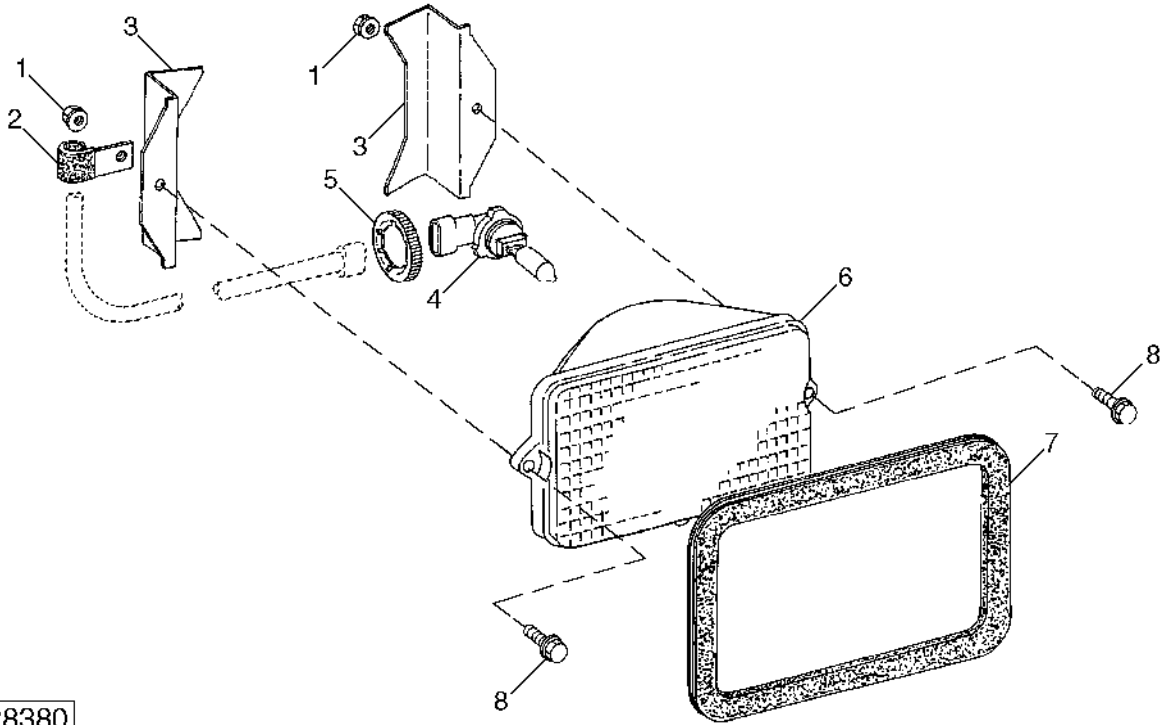
HP7211

GRAIN TANK DUAL LEVEL MONITOR HARNESS AND UNLOADING AUGER LIGHT - CONTINUED

KEY	PART NO.	PART NAME	QTY	SERIAL NO.	REMARKS
1	H130637	CLAMP	5		
2	H133645	REINFORCEMENT	1		
3	AH121475	SENSOR	1		
4	H164536	BRACKET	1		
5	19M7775	SCREW	4	M6 X 16	
	14M7303	FLANGE NUT	4	M6	
6	AH89557	CLIP	1		
7	AH126541	CLAMP	1		
8	19H2351	CAP SCREW	1	1/2" X 1/2"	
9	24H1111	WASHER	2	17/32" X 1-1/16" X 0.090"	
10	R67377	CLAMP	1		
11	HOUSING	1		(SERVICED IN AH98901)
12	AR42591	HEADLIGHT	1		35 WATT
13	R31250	BEZEL	1		
14	AH148210	HEADLIGHT	1		
15	H133178	CLAMP	1		
16	19M7800	SCREW	4	M8 X 50	
	14M7396	LOCK NUT	4	M8	
17	14M7298	FLANGE NUT	2	M8	
18	AH89557	CLIP	2		
19	H76064	CLIP	4		
20	AH148028	WIRING HARNESS	1	-20JUL8	FOR ALL AUGER LENGTHS
	AH159962	WIRING HARNESS	1	20JUL8-	
21	M66044	TIE BAND	7		
22	AH128986	WIRING HARNESS	1		
23	RE12363	CONNECTOR	1		(PKG OF 3)
	R78048	TERMINAL NIPPLE	1		(PKG OF 5)
	R78057	SOCKET CONTACT	1		(PKG OF 40)
24	RE12363	CONNECTOR	1		(PKG OF 3)
	R78048	TERMINAL NIPPLE	1		(PKG OF 5)
	R78060	SOCKET CONTACT	1		(PKG OF 40)
25	R78053	PIN CONTACT CONNECTOR BODY	1		(PKG OF 3)
	R78063	TERMINAL NIPPLE	1		(PKG OF 40)
	R78058	PIN CONTACT	1		(PKG OF 40)
26	45M7043	PIN	1		12 X 60 MM

SIDE FINDER LIGHTS (LH AND RH)

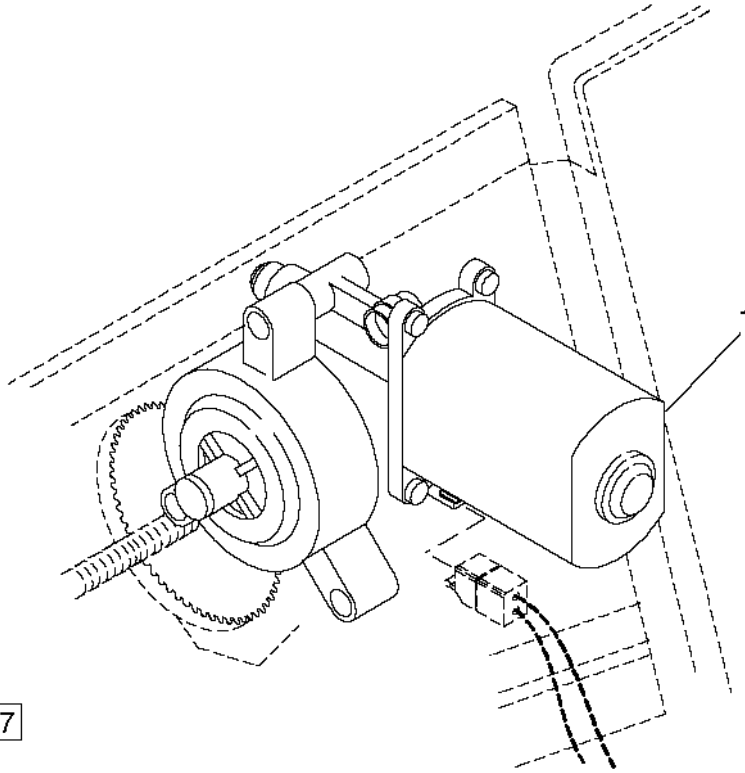
HP8380 -UN-27JUL99



HP8380

KEY	PART NO.	PART NAME	QTY	SERIAL NO.	REMARKS
1	14M7303	FLANGE NUT	4	M6	
2	AH89557	CLIP	2		
3	H132687	RETAINER	4		
4	AH127718	BULB	2		(SUB AH162231)
5	H132900	RETAINER	2		
6	AH128328	FLOODLAMP	2		
7	H132686	GROMMET	2	-675538	
	H165252	GROMMET	2	675539-	
8	19M7774	SCREW	4		M6 X 12
..	H132666	PLATE	2		USED ONLY WITHOUT SIDE FINDER LIGHTS
..	BH78337	COMPLETE GOODS/SHIP. BUNDLE	1		SIDE FINDER LIGHTS

SEPARATOR FAN DRIVE ADJUSTING MOTOR
 HP9407 -UN-04JAN00



HP9407

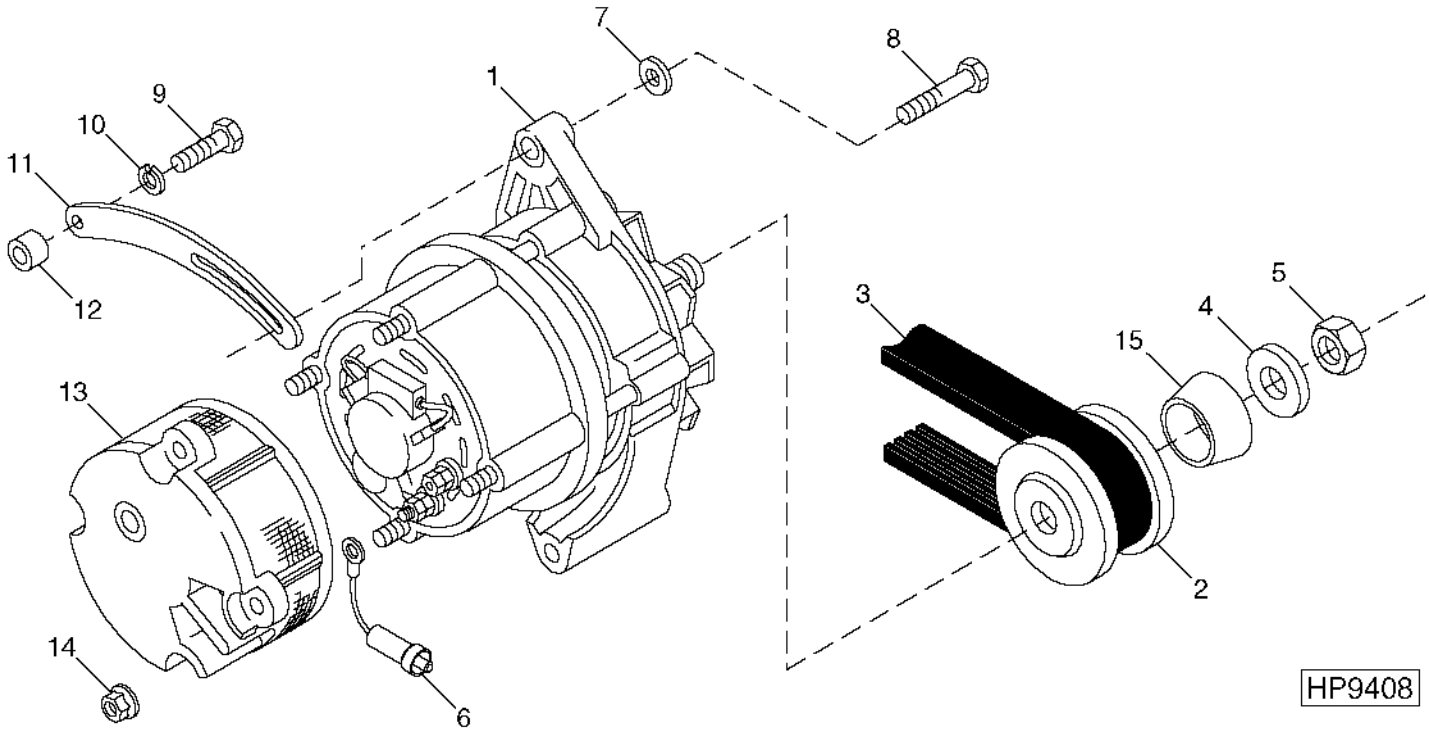
KEY	PART NO.	PART NAME	QTY	SERIAL NO.	REMARKS
1	AH143903	MOTOR	1		(USE WITH AH143904, 19M8321 AND 14M7165)

ALTERNATOR, SHEAVE AND BELT

BOSCH

HP9408

-UN-05JAN00

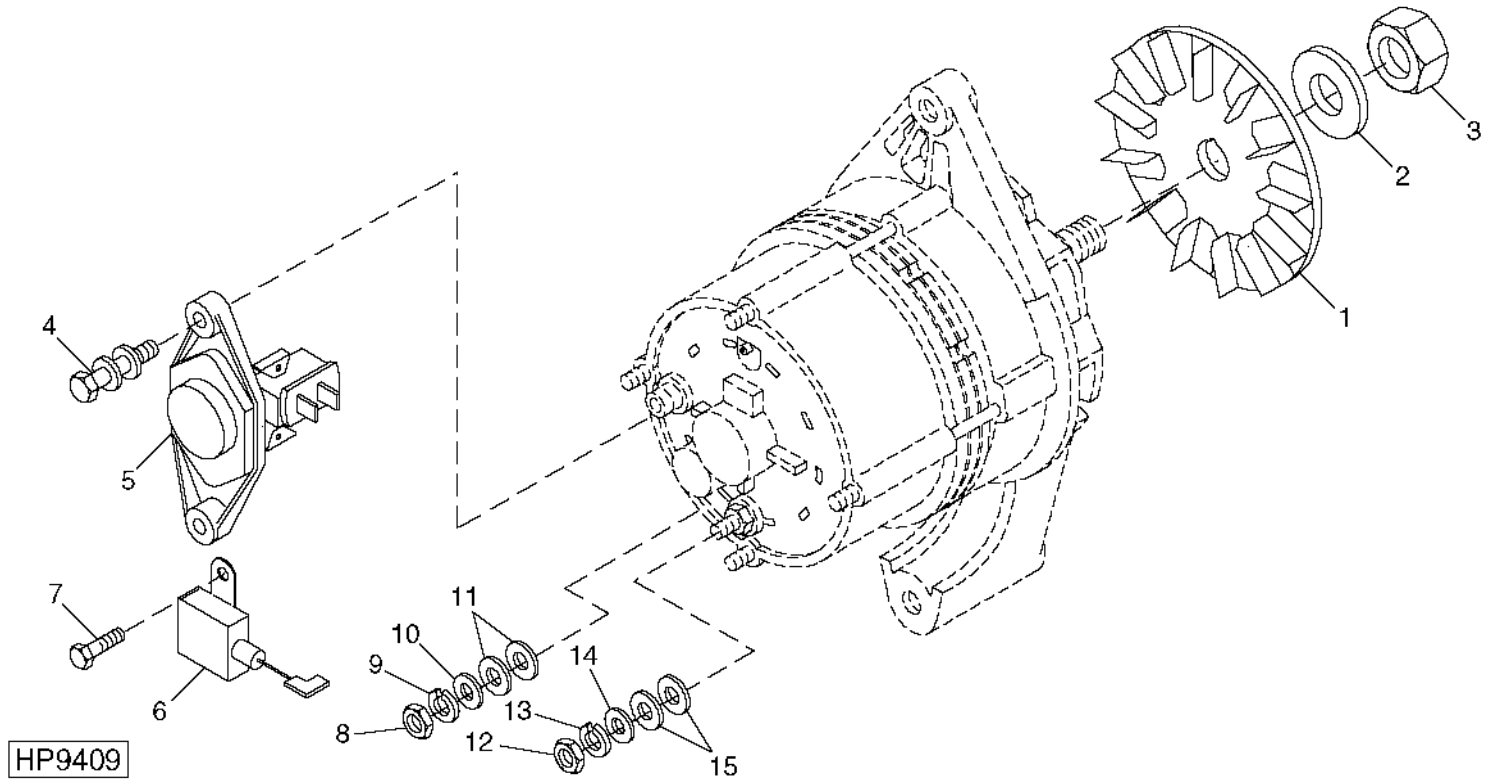


HP9408

KEY	PART NO.	PART NAME	QTY	SERIAL NO.	REMARKS
1	TY24485	ALTERNATOR	1		(SUB FOR TY6750) REMANUFACTURED
2	R94350	SHEAVE	1		
	H144114	SHEAVE	1		
3	H163515	BELT	1		
4	T10745	WASHER	1		
5	14M7158	NUT	1	M16	
6	AH146309	WIRING HARNESS	1		
7	24M7207	WASHER	1	8.400 X 24 X 2 MM	
8	19M7944	SCREW	1	M10 X 120	
9	19M7867	SCREW	1	M8 X 25	
10	12H304	LOCK WASHER	1	3/8"	
11	R107734	STRAP	1		
12	24M7106	WASHER	1		
13	AH138291	SCREEN	1	(USE WITH TY6750)	
	AT207952	COVER	1	(USE WITH TY24485)	
14	14M7375	FLANGE NUT	4	M5	
15	R94351	BUSHING	1		

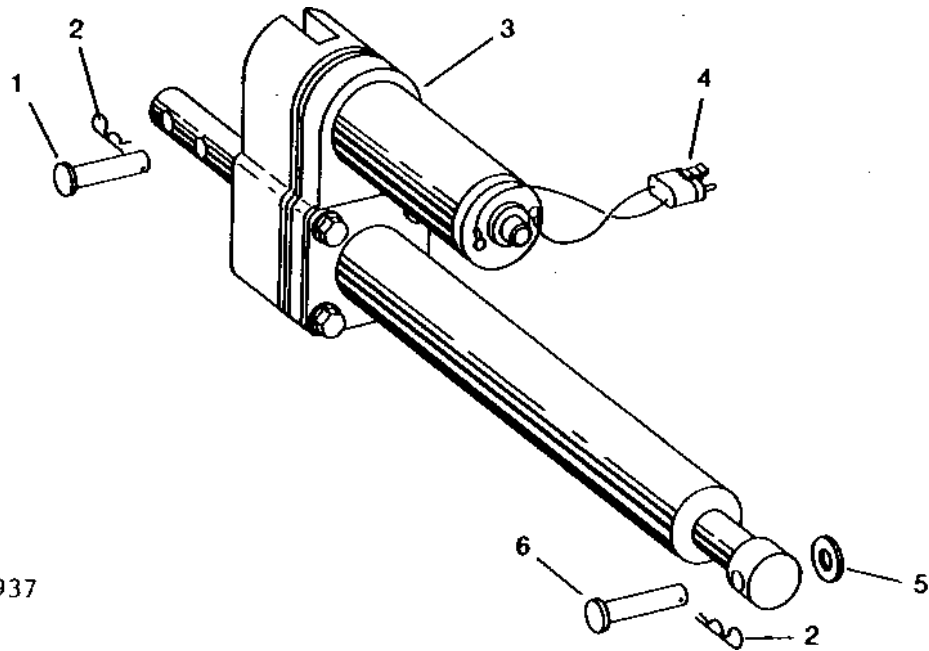
BOSCH ALTERNATOR AND VOLTAGE REGULATOR (95 AMP)

HP9409 -UN-04JAN00



KEY	PART NO.	PART NAME	QTY	SERIAL NO.	REMARKS
1	T158584	FAN	1		
2	T10745	WASHER	1		17.145 X 25.781 X 1.981 MM (0.675" X 1.015" X 5/64")
3	14M7158	NUT	1		M16
4	21M7252	SCREW	2		M4 X 16
	12M7084	LOCK WASHER	2		4.300 MM (0.169")
5	H144094	VOLTAGE REGULATOR	1		
6	H144095	CAPACITOR	1		
7	21M6071	SCREW	1		M5 X 10
	12M7060	WASHER	1		5.300 MM (0.209")
8	14M7297	NUT	1		M5
9	12M7060	WASHER	1		
10	WASHER	1		
11	BOLT	2		
12	14M7273	NUT	1		M8
13	12M7032	LOCK WASHER	1		8.400 MM (0.331")
14	R15036	WASHER	1		5.156 X 19.050 X 1.524 MM
15	WASHER	2		
..	TY24485	ALTERNATOR	1		(SUB FOR TY6750) REMANUFACTURED

CONCAVE ADJUSTING MOTOR
HP4937 -UN-01JAN94

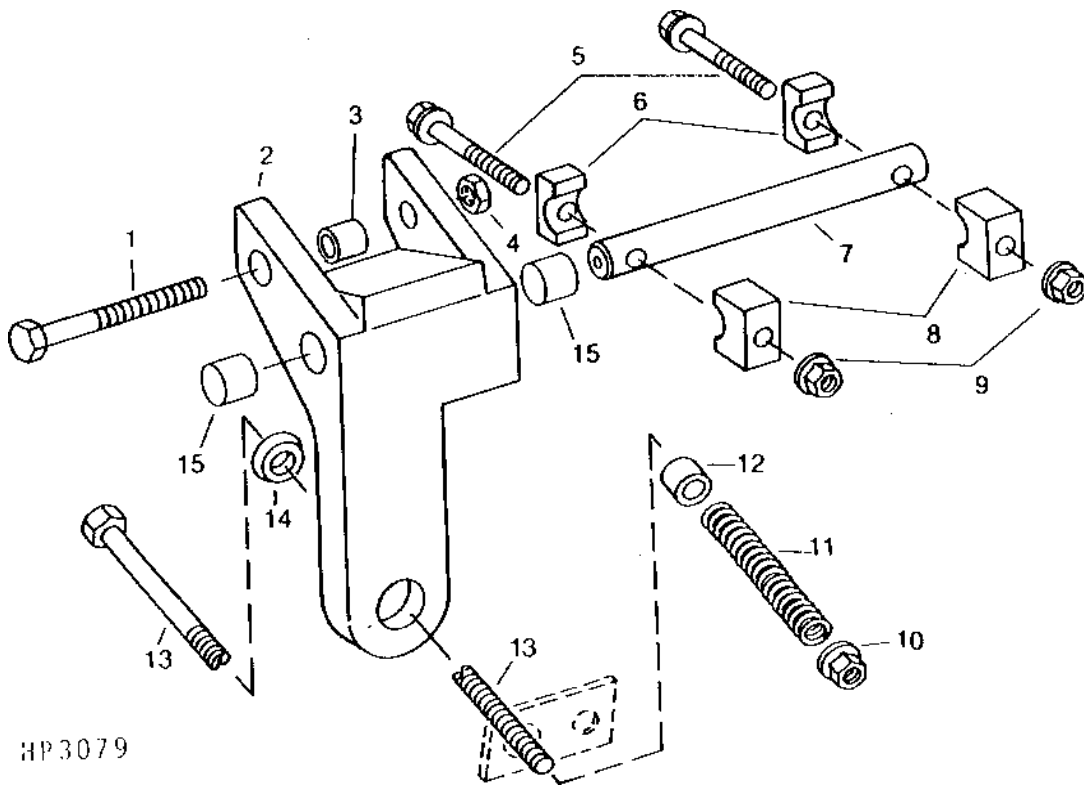


HP4937

CONCAVE ADJUSTING MOTOR - CONTINUED

KEY	PART NO.	PART NAME	QTY	SERIAL NO.	REMARKS
1	H148340	PIN	1		
2	B32630	SPRING LOCKING PIN	2		
3	AH134728	ACTUATOR	1	-675944	
	AH160107	ACTUATOR	1	675945-	
4	RE12363	CONNECTOR	1		(PKG OF 3)
	R78048	TERMINAL NIPPLE	1		(PKG OF 5)
	R78060	SOCKET CONTACT	1		(PKG OF 40)
5	24H1654	WASHER	1		9/16" X 1-15/32" X 0.105", REQUIRED WITH H132821 CAST CAM ONLY
6	H148900	PIN	1		FOR SPIKE TOOTH CONCAVE ONLY
	H148899	PIN	1		FOR RASPBAR

ALTERNATOR MOUNTING
HP3079 -UN-01JAN94



HP3079

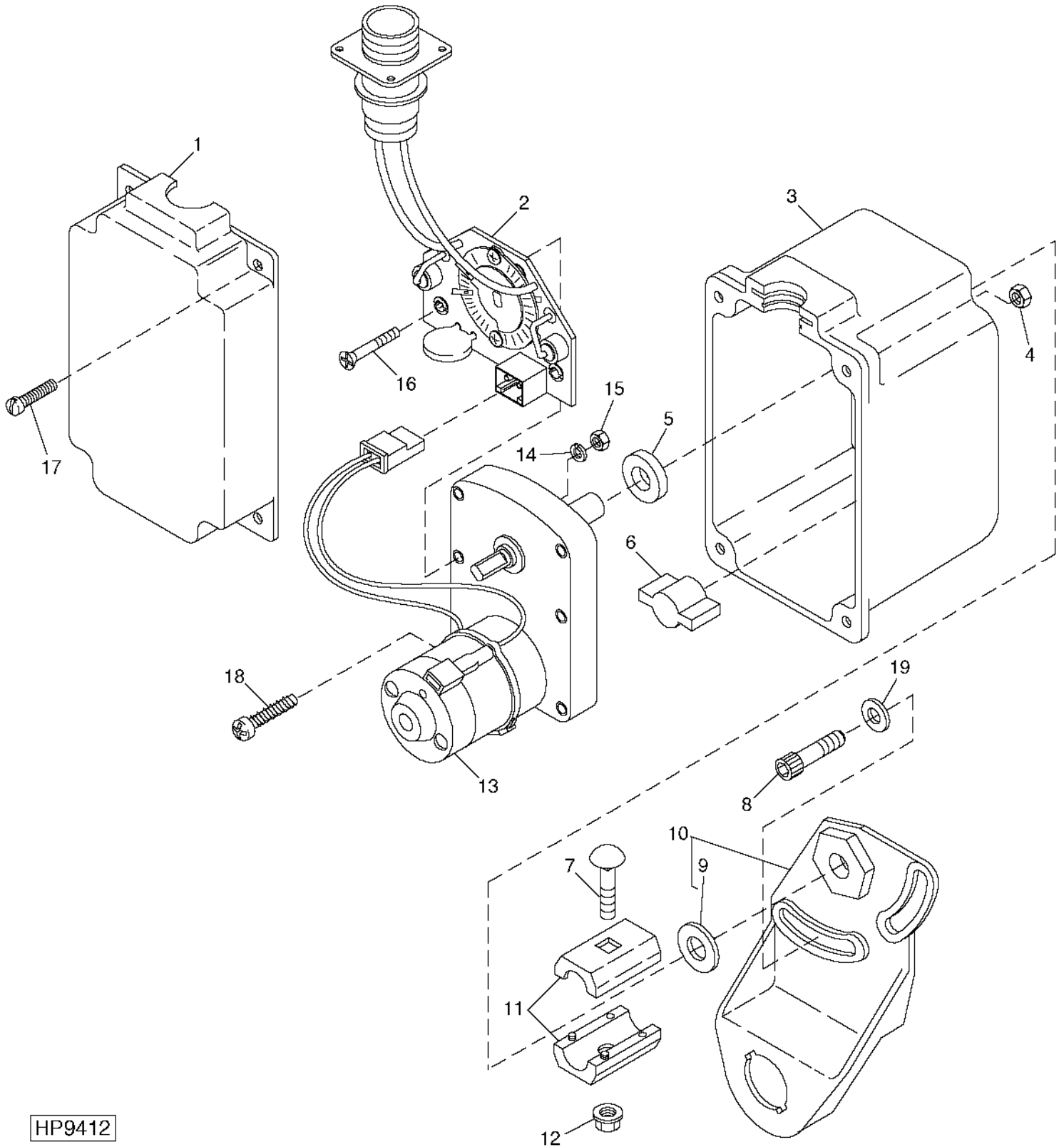
1110

ELECTRICAL

ALTERNATOR MOUNTING - CONTINUED

KEY	PART NO.	PART NAME	QTY	SERIAL NO.	REMARKS
1	19M8183	CAP SCREW	1		
2	H141409	ARM	1		
3	H123785	SPACER	1		
4	14H732	NUT	1		
5	19M7800	SCREW	2		M8 X 50
6	H123788	CLAMP	2		
7	H123786	PIN	1		
8	H123787	CLAMP	2		
9	14M7298	FLANGE NUT	AR		M8
10	14M7296	FLANGE NUT	AR		M10
11	H128906	COMPRESSION SPRING	1		
12	H134214	GUIDE	1		
13	H125873	CAP SCREW	1		M10 X 332.800
14	H77337	WASHER	1		10.312 X 22.225 X 6.350 MM
15	H91788	BUSHING	2		

REEL SPEED MOTOR AND BRACKET
HP9412 -UN-04JAN00



HP9412

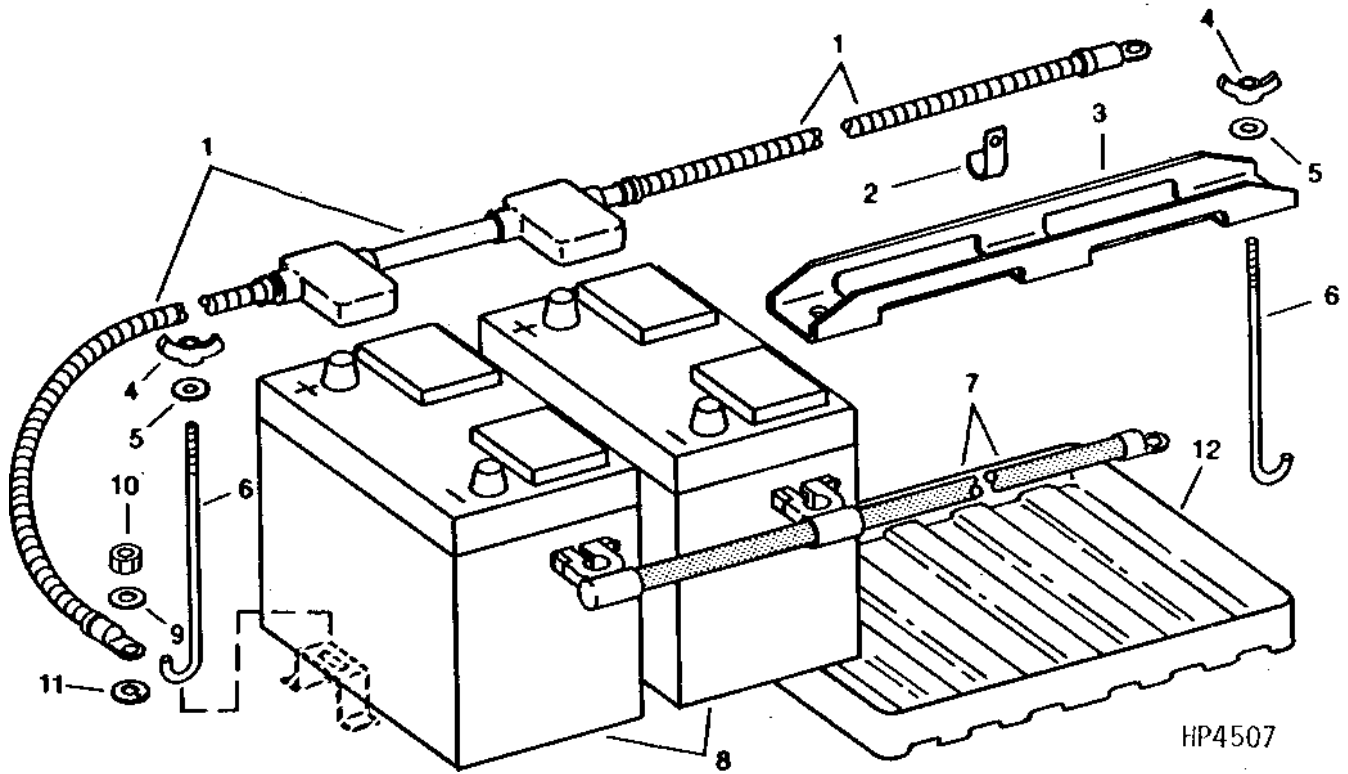
REEL SPEED MOTOR AND BRACKET - CONTINUED

KEY	PART NO.	PART NAME	QTY	SERIAL NO.	REMARKS
1	H133852	BOX	1		
2	AH139987	PRINTED CIRCUIT	1		
3	H133851	BOX	1		
4	14M7139	NUT	4	M4, (SUB FOR (4) 14M7100)	
5	M121T	WASHER	1		
6	H133981	SEAL	1		
7	03M7290	BOLT	1	M6 X 30	
8	19H2925	SCREW	2	1/4" X 1/2"	
9	H146950	WASHER	1	9.500 X 19 X 1.600 MM	
10	AH141813	KIT	1		
11	H114020	HALF CLAMP	2		
12	14M7397	LOCK NUT	1	M6	
13	AH128865	MOTOR	1		
14	12H314	LOCK WASHER	2	0.138"	
15	14H1026	NUT	2	0.138"	
16	21H1184	SCREW	2	0.138" X 1-1/8"	
17	21M7250	SCREW	4	M4 X 12	
18	H144032	SCREW	4		
19	24M7027	WASHER	2	5.300 X 10 X 1 MM	

1113

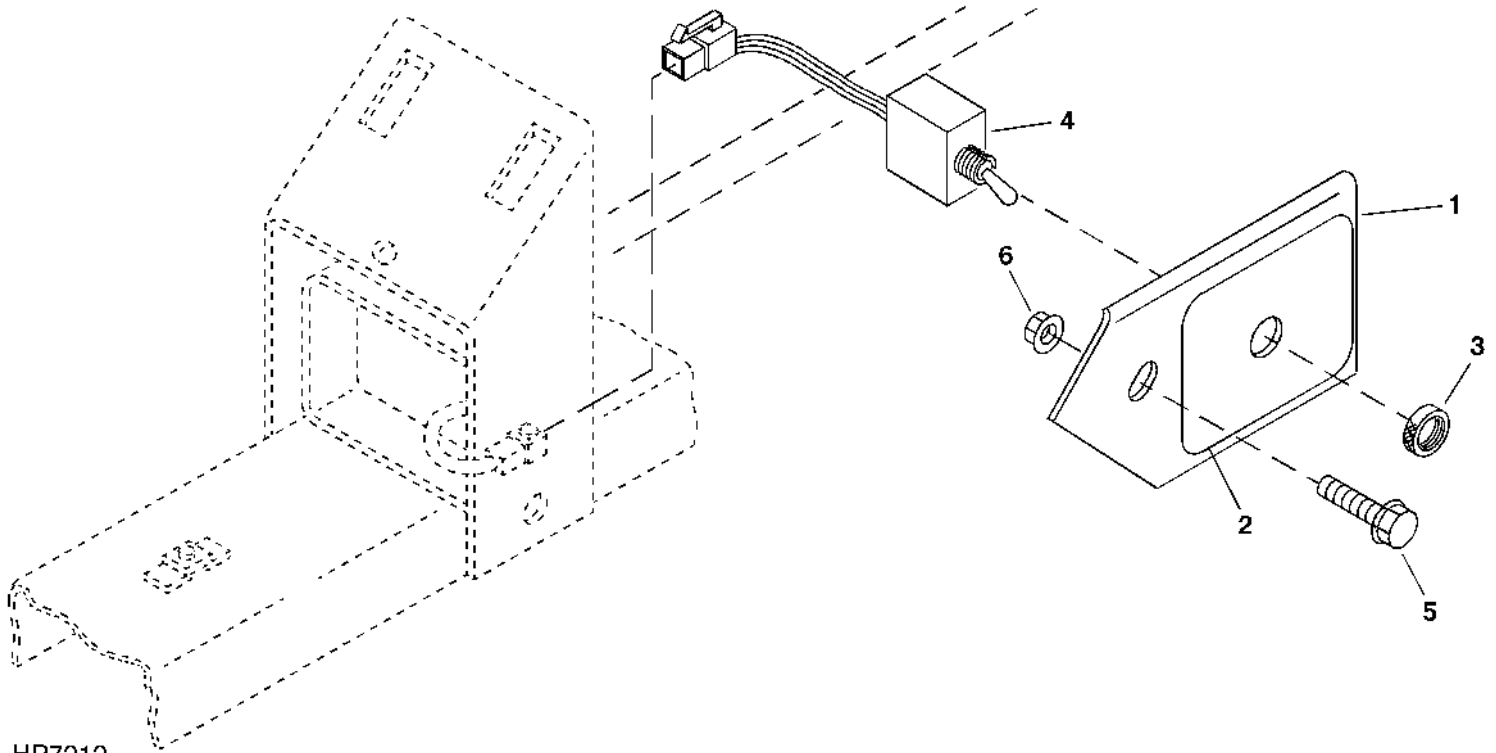
ELECTRICAL

BATTERIES, CABLES AND HOLDDOWN
HP4507 -UN-01JAN94



KEY	PART NO.	PART NAME	QTY	SERIAL NO.	REMARKS
1	AH145256	CABLE	1		
2	AH96317	CLIP	1		
3	H134000	CLAMP	1		
4	14M7020	WING NUT	2	M8	
5	24M7055	WASHER	2	8.400 X 16 X 1.600 MM	
6	H133998	HOOK BOLT	2		
	H158292	HOOK BOLT	2		
7	AH128413	CABLE	1		
8	TY21765	BATTERY	2	(SUB FOR TY21765)	
9	24M7054	WASHER	1	6.400 X 12 X 1.600 MM	
10	14M7303	FLANGE NUT	1	M6	
11	12M7081	LOCK WASHER	1	6.400 MM	
12	H144256	TRAY	2		

SHOE ADJUSTING LIGHT SWITCH
 HP7212 -UN-28FEB98



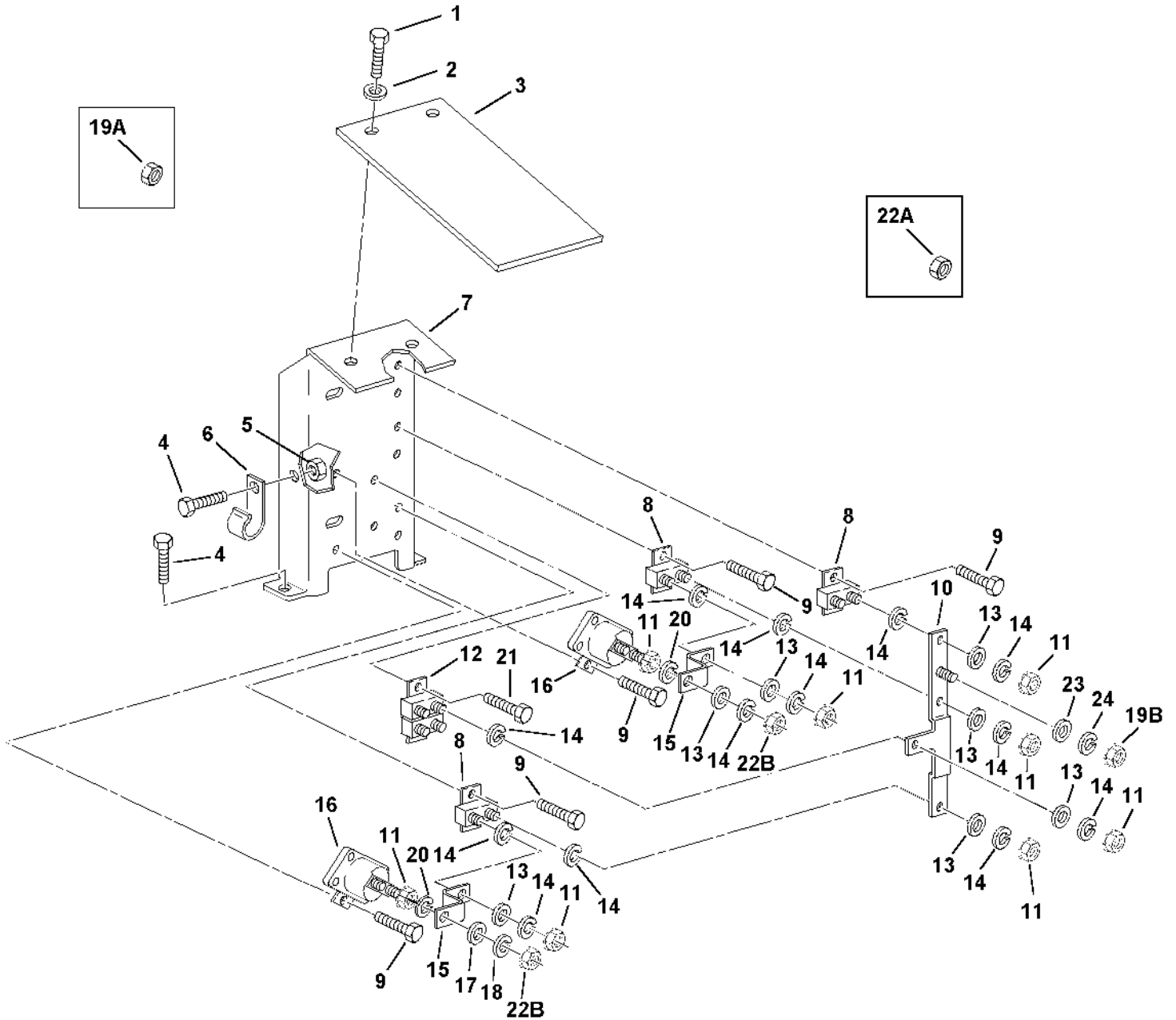
HP7212

KEY	PART NO.	PART NAME	QTY	SERIAL NO.	REMARKS
1	H164632	BRACKET	1		
2	H166357	LABEL	1		
3	H140248	NUT	1		
4	AH158310	TOGGLE SWITCH	1		
5	19M7865	SCREW	1		M8 X 16
6	14M7298	FLANGE NUT	1		M8

1115

ELECTRICAL

CIRCUIT BREAKERS - ENGINE COMPARTMENT
HP7481 -UN-16MAR98



HP7481

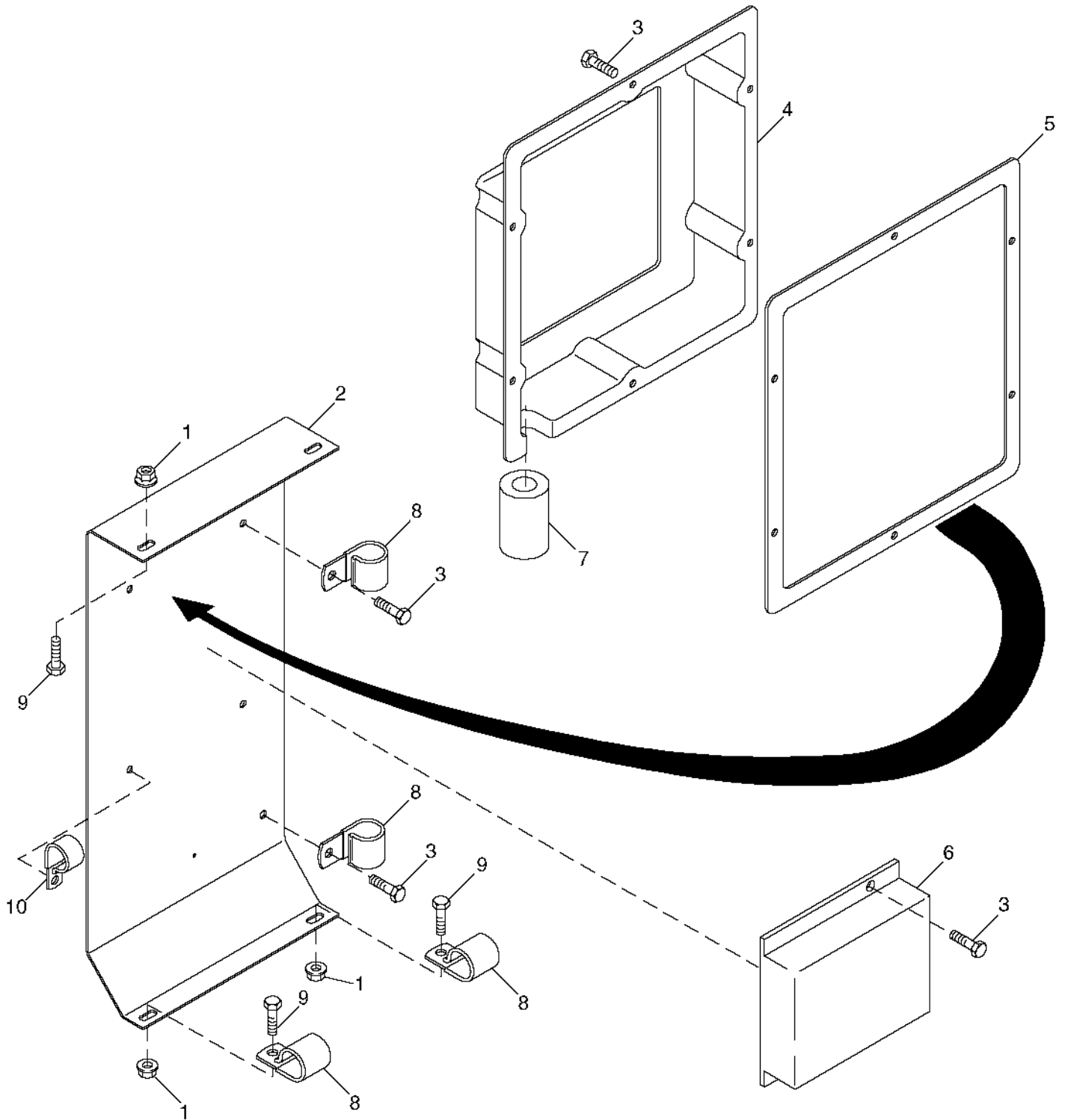
CIRCUIT BREAKERS - ENGINE COMPARTMENT - CONTINUED

KEY	PART NO.	PART NAME	QTY	SERIAL NO.	REMARKS
1	H116740	PLUG	2		
2	24M7207	WASHER	2		8.400 X 24 X 2 MM (0.331" X 0.945" X 0.079")
3	H150923	FLAP	1		
4	19M7865	SCREW	1		M8 X 16
5	14M7298	FLANGE NUT	1		M8
6	AH90990	CLIP	1		
7	H164348	PANEL	1		
8	AH112189	CIRCUIT BREAKER	3		(50 AMP)
9	37H147	SCREW	8		
10	AH158604	STRAP	1		
11	R32176	NUT	AR	675539-	
12	AH159105	CIRCUIT BREAKER	AR	-675538	DUAL 50A
13	24M7027	WASHER	AR	-675538	5.300 X 10 X 1 MM (0.209" X 0.394" X 0.039")
14	12M7060	WASHER	12		5.300 MM (0.209")
15	H125347	STRAP	2		
16	AR73144	RELAY	2		
17	24M7055	WASHER	2	-675538	8.400 X 16 X 1.600 MM (0.331" X 0.630" X 0.063")
18	12M7081	LOCK WASHER	2	-675538	6.400 MM (0.252") M6.4
19A	14H860	NUT	1	-675538	6.350 MM (1/4") M6
19B	R32176	NUT	1	675539-	
20	12M7032	LOCK WASHER	AR		8.400 MM (0.331")
21	37H129	SCREW	1		10 X 5/8
22A	14H785	NUT	2	-675538	5/16
22B	H164872	NUT	2	675539-	
23	24M7054	WASHER	1	-675538	M6.4 X 12.5 X 1.6
24	12H302	LOCK WASHER	1		

ELECTRONIC CONTROL UNIT (ECU) MOUNTING SUPPORT

(SERIAL NUMBER -XXXXXX)

HP9410 -UN-04JAN00



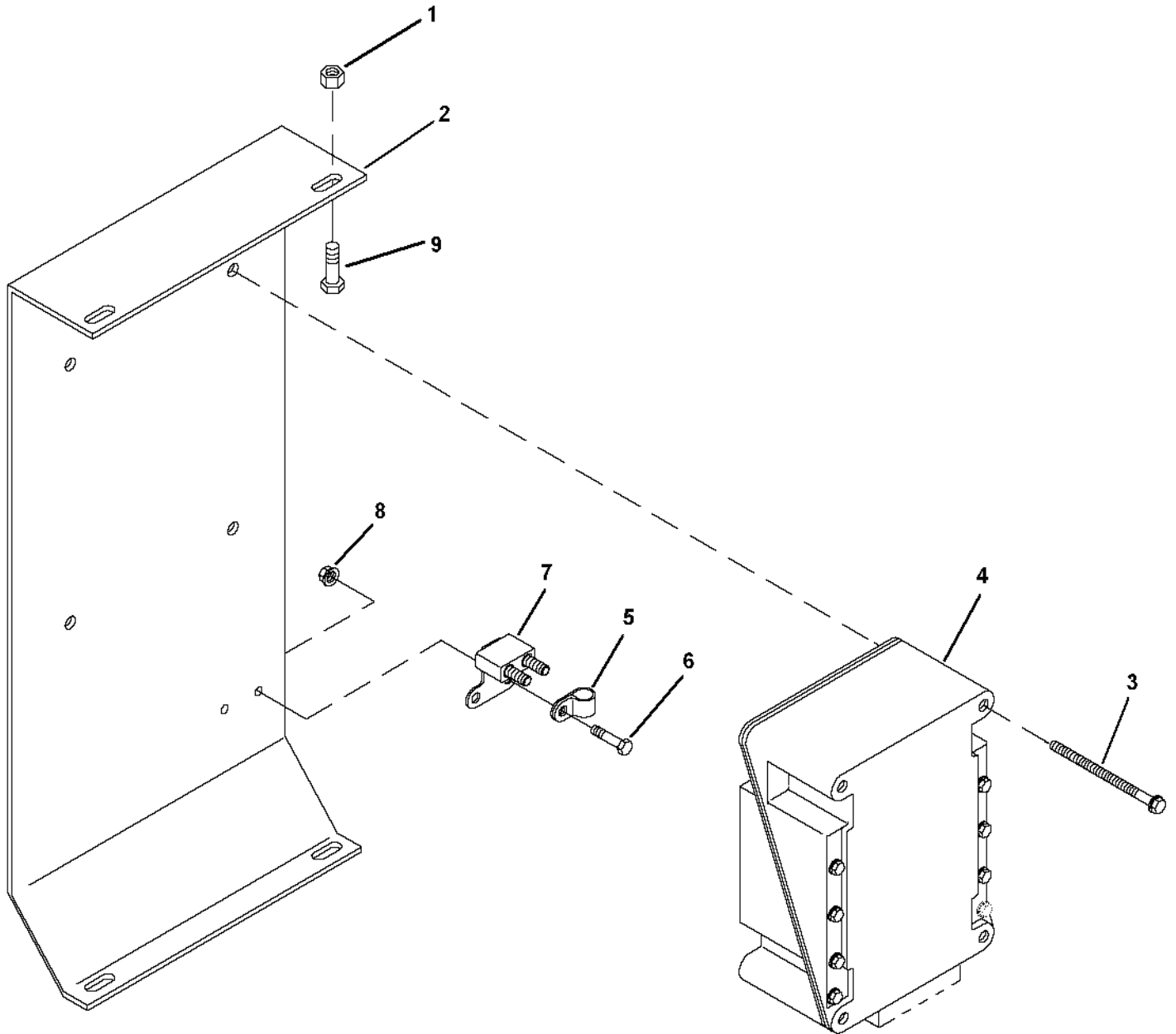
HP9410

ELECTRONIC CONTROL UNIT (ECU) MOUNTING SUPPORT - CONTINUED
 (SERIAL NUMBER -XXXXXX)

KEY	PART NO.	PART NAME	QTY	SERIAL NO.	REMARKS
1	14M7298	FLANGE NUT	4	M8	
2	AH153815	PLATE	1		
3	19M7862	SCREW	12	M6 X 20	
	19M7721	CAP SCREW	3		
4	H134474	COVER	1		
5	H134475	SEAL	1		
6	ENGINE CONTROLLER	1		
7	H134476	ISOLATOR	1		
8	AH96317	CLIP	4		
9	19M7865	SCREW	4	M8 X 16	
10	AH90990	CLIP	1		
..	H116160	SEALANT	1		

ELECTRONIC CONTROL UNIT (ECU) MOUNTING SUPPORT

HP7557 -UN-16JUN98



HP7557

1120

ELECTRICAL

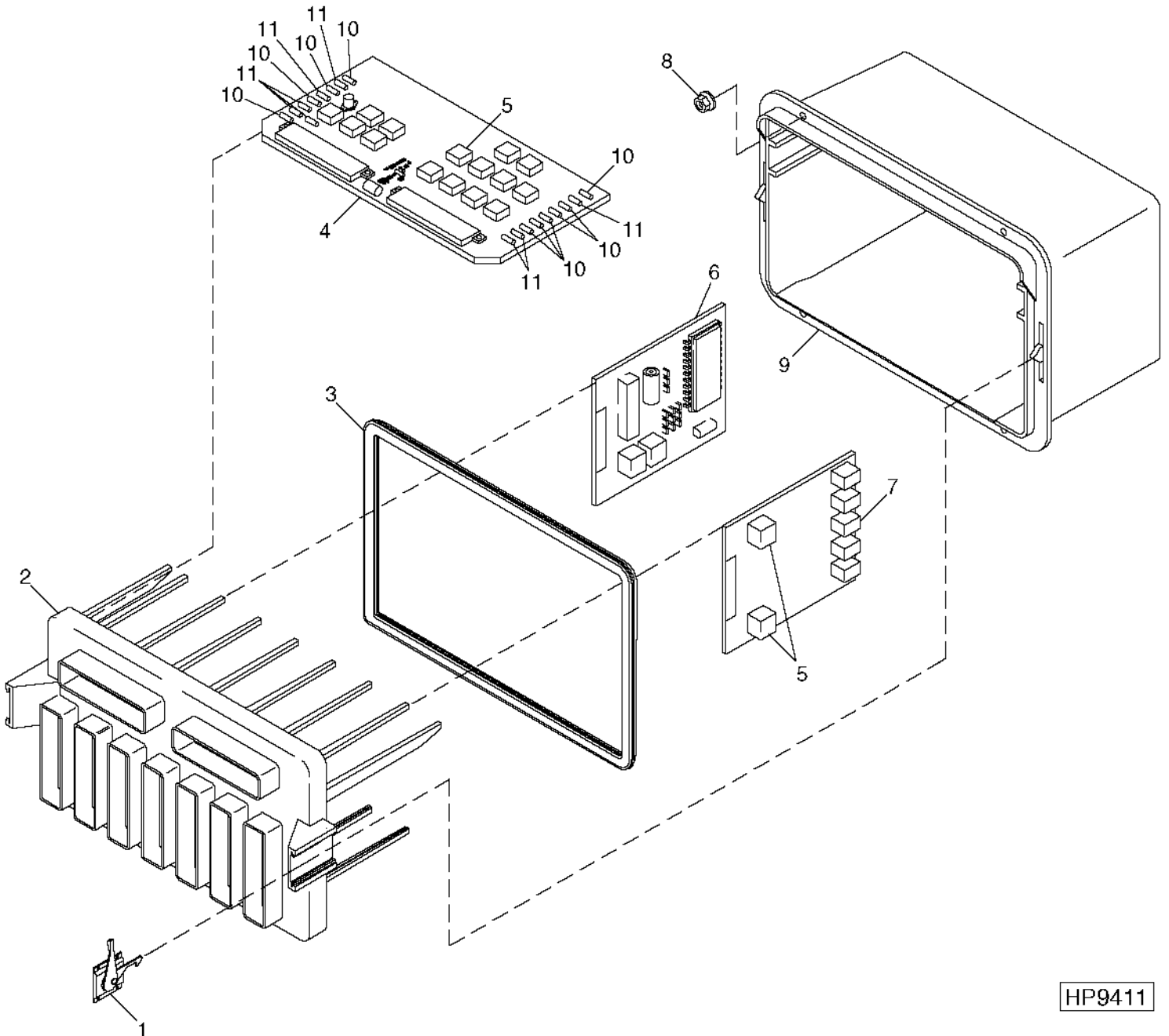
ELECTRONIC CONTROL UNIT (ECU) MOUNTING SUPPORT - CONTINUED

KEY	PART NO.	PART NAME	QTY	SERIAL NO.	REMARKS
1	14M7298	FLANGE NUT	4	M8	
2	AH153815	PLATE	1		
3	19M7721	CAP SCREW	3	M6 X 65	
4	ENGINE CONTROLLER	1	(SEE ENGINE SECTION)	
5	AH90990	CLIP	1		
6	37H147	SCREW	1		
7	AR55649	CIRCUIT BREAKER	1	(SUB AH160627) 10 AMP	
	AH160627	CIRCUIT BREAKER	1	10 AMP SEALED	
8	R32176	NUT	2		
9	19M7865	SCREW	4	M8 X 16	
..	H116160	SEALANT	1	3 OZ. TUBE	

1121

ELECTRICAL

CENTRAL ELECTRONICS MODULE AND CIRCUIT BOARDS
HP9411 -UN-04JAN00

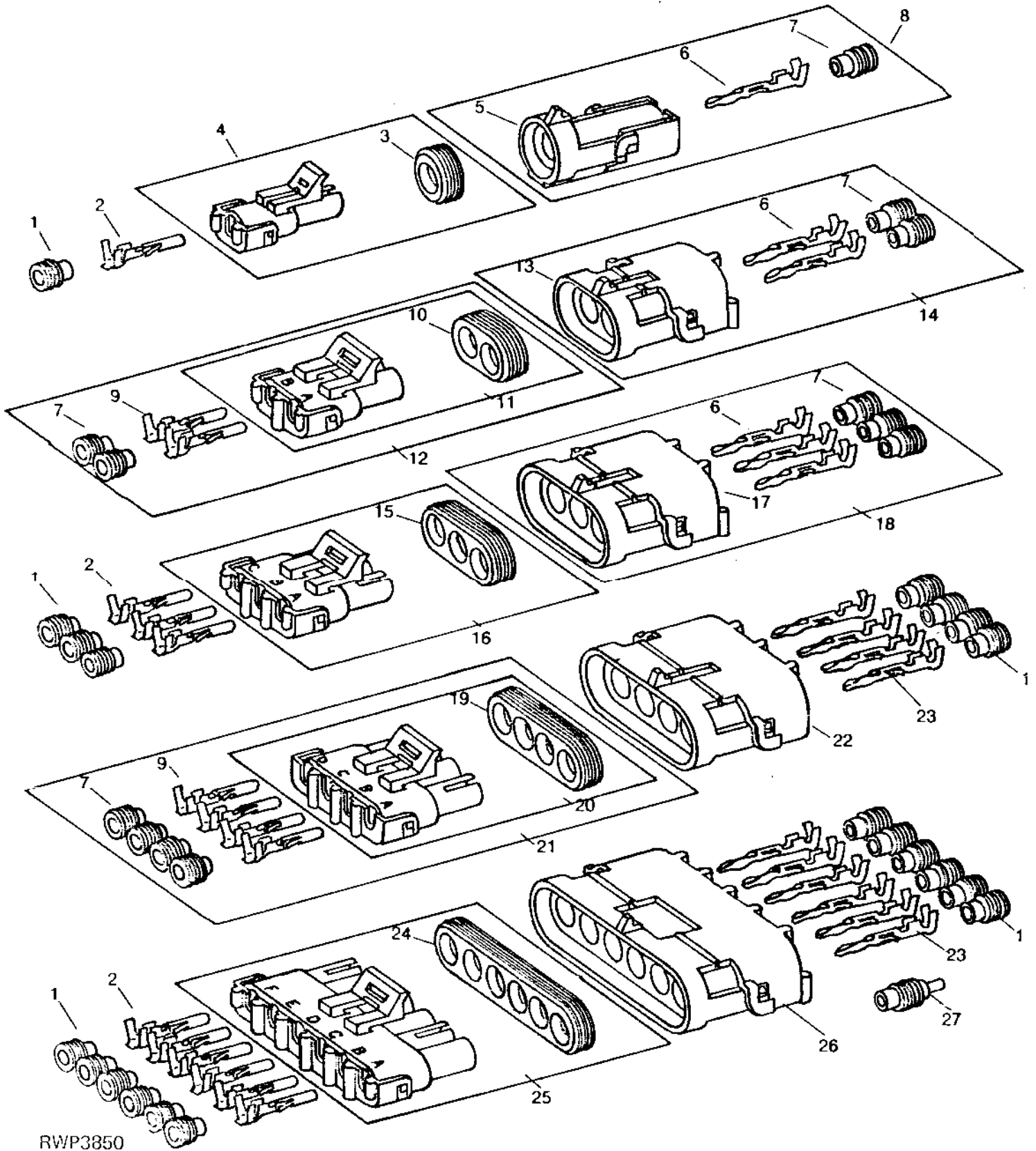


HP9411

CENTRAL ELECTRONICS MODULE AND CIRCUIT BOARDS - CONTINUED

KEY	PART NO.	PART NAME	QTY	SERIAL NO.	REMARKS
1	AH115943	LATCH	2		
2	H124206	COVER	1		
3	H144242	SEAL	1		
4	AH162179	CIRCUIT BOARD	1		(SUB FOR AH156418) POWER
5	AH106612	RELAY	17		
6	AH145964	CIRCUIT BOARD	1		REEL SPEED
7	AH145701	CIRCUIT BOARD	1		(W/O CONTOUR MASTER) DIAL-A-MATIC
	AH137147	CIRCUIT BOARD	1		(W/CONTOUR MASTER)
8	14M7303	FLANGE NUT	4		M6
9	H124205	BOX	1		
10	57M7146	FUSE	10		30 AMP
11	57M7120	FUSE	8		20 AMP
..	BH79902	COMPLETE GOODS/SHIP. BUNDLE	1		HEADER TRANSPORT WARNING LIGHTS
..	BH79485	COMPLETE GOODS/SHIP. BUNDLE	1		DIAL-A-SPEED CONTROL

WEATHERPACK TERMINALS AND CONNECTORS
RWP3850 -UN-01JAN94



RWP3850

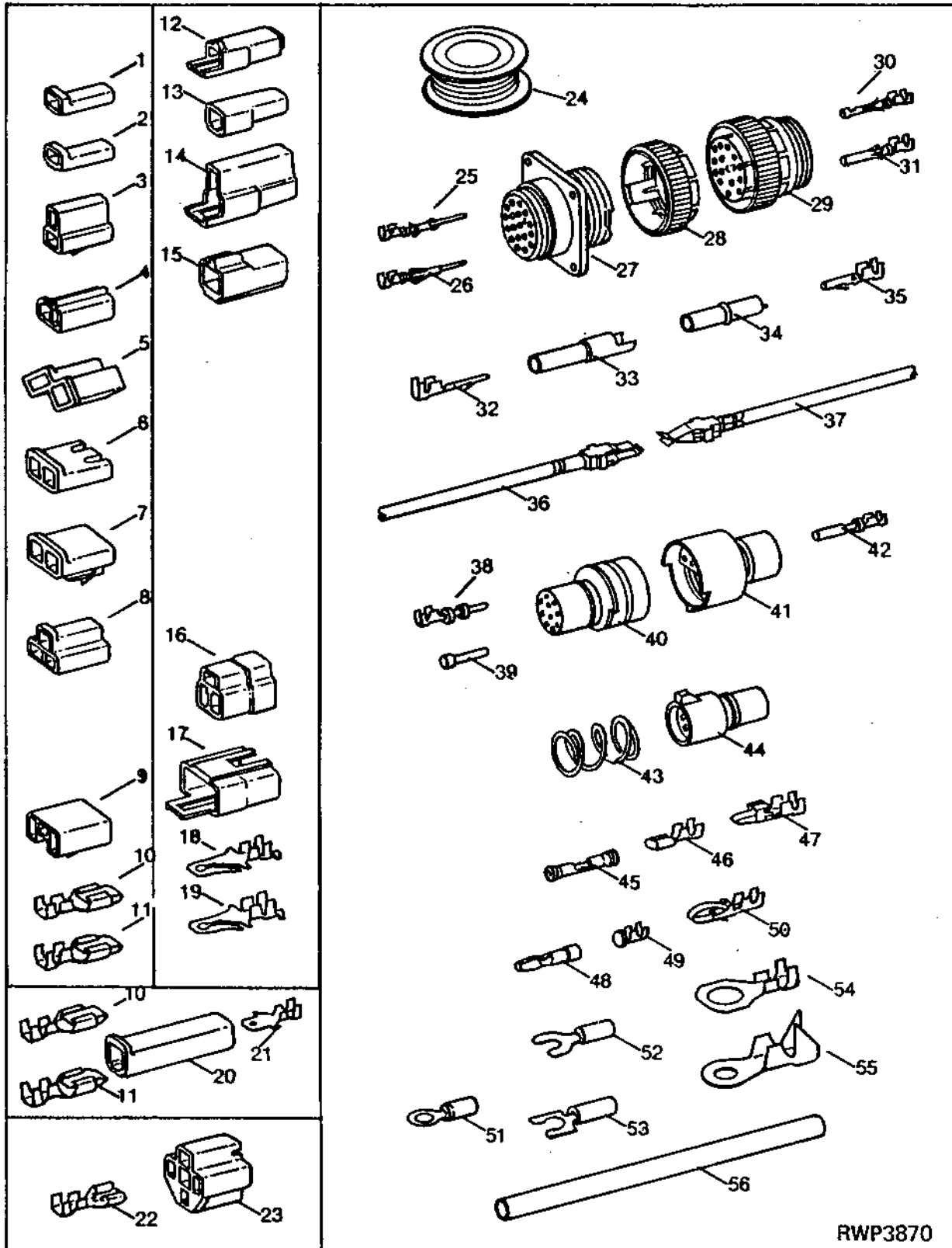
WEATHERPACK TERMINALS AND CONNECTORS - CONTINUED

KEY	PART NO.	PART NAME	QTY	SERIAL NO.	REMARKS
1	R78063	TERMINAL NIPPLE	1		(PKG. OF 40) (16 GA. WIRE) (GRAY)
	R78059	ELECTRICAL PLUG	1		(PKG. OF 40) (18 OR 20 GA. WIRE) (GREEN)
	R78062	TERMINAL NIPPLE	1		(PKG. OF 40) (14 GA. WIRE) (BLUE)
2	R78057	SOCKET CONTACT	1		(PKG. OF 40) (18 OR 20 GA. WIRE) (NO. 19)
	R78060	SOCKET CONTACT	1		(PKG. OF 40) (14 OR 16 GA. WIRE) (NO. 15)
3	R78047	SEAL	1		(PKG. OF 5)
4	RE12362	CONNECTOR	1		(PKG. OF 3)
5	R78052	PIN CONTACT CONNECTOR BODY	1		(PKG. OF 3)
6	R78061	PIN CONTACT	1		(PKG. OF 40) (14 OR 16 GA. WIRE) (NO. 15)
7	R78063	TERMINAL NIPPLE	1		(PKG. OF 40) (16 GA. WIRE) (GRAY)
8	RE12334	CONNECTOR	1		
9	R78060	SOCKET CONTACT	1		(PKG. OF 40) (14 OR 16 GA. WIRE) (NO. 15)
10	R78048	TERMINAL NIPPLE	1		(PKG. OF 5)
11	RE12363	CONNECTOR	1		(PKG. OF 3)
12	RE12331	CONNECTOR	1		
13	R78053	PIN CONTACT CONNECTOR BODY	1		(PKG. OF 3)
14	RE12330	CONNECTOR	1		
15	R78049	SEAL	1		(PKG. OF 5)
16	RE12364	SOCKET CONT.CONNECTOR BODY	1		(PKG. OF 3)
17	R78054	PIN CONTACT CONNECTOR BODY	1		(PKG. OF 3)
18	RE12332	CONNECTOR	1		
19	R78050	SEAL	1		(PKG. OF 5)
20	RE12365	CONNECTOR	1		(PKG. OF 2)
21	RE12333	CONNECTOR	1		
22	R78055	PIN CONTACT CONNECTOR BODY	1		(PKG. OF 2)
23	R78061	PIN CONTACT	1		(PKG. OF 40) (14 OR 16 GA. WIRE) (NO. 15)
	R78058	PIN CONTACT	1		(PKG. OF 40) (18 OR 20 GA. WIRE) (NO. 19)
24	R78051	SEAL	1		(PKG. OF 5)
25	RE12366	CONNECTOR	1		(PKG. OF 2)
26	R78056	PIN CONTACT CONNECTOR BODY	1		(PKG. OF 2)
27	R78064	ELECTRICAL PLUG	1		(PKG. OF 40)

1J1

ELECTRICAL

ELECTRICAL CONNECTOR SERVICE KIT
RWP3870 -UN-01JAN94

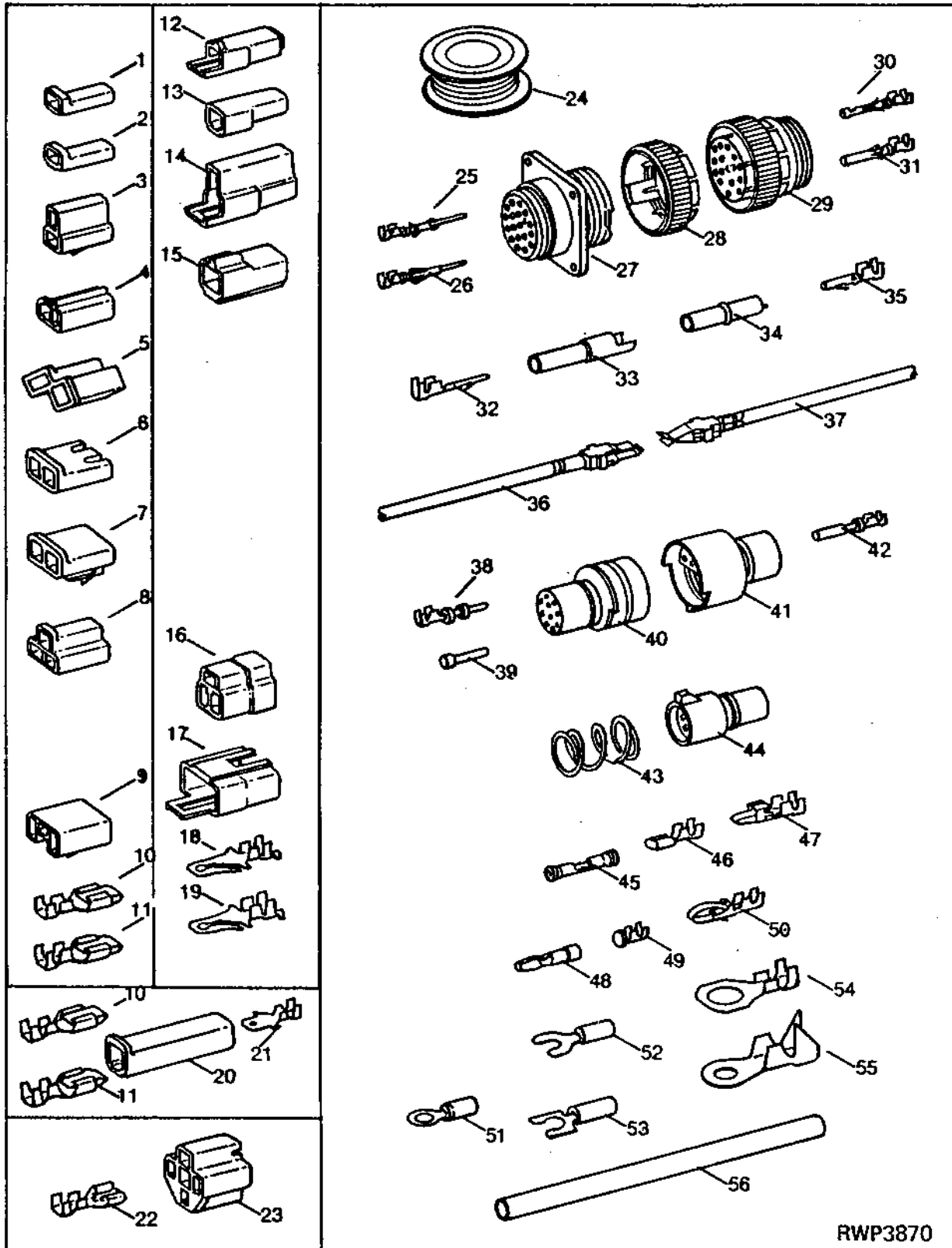


ELECTRICAL CONNECTOR SERVICE KIT - CONTINUED

KEY	PART NO.	PART NAME	QTY	SERIAL NO.	REMARKS
1	T28583	RECEPTACLE CONNECTOR BODY	1	(B)	
2	M43835	FLAT CONNECTOR	1	(B)	
3	R77476	CONNECTOR	1	(A)	
4	R77477	RECEPTACLE CONNECTOR BODY	1	(A)	
5	R77479	CONNECTOR	1	(A)	
6	R77480	RECEPTACLE CONNECTOR BODY	1	(A)	
7	R77481	CONNECTOR	1	(A)	
8	R77482	CONNECTOR	1		
9	H104855	RECEPTACLE CONNECTOR BODY	1		
10	U46662	TERMINAL	1	(E) (F)	
11	N115096	TERMINAL	1	(G) (SUB R65595) (PKG. OF 15)	
	R65595	TERMINAL	1		
12	T28585	TAB CONNECTOR BODY	1	(B)	
13	R77475	CONNECTOR	1	(B)	
14	T28586	CONNECTOR	1	(A)	
15	R77478	CONNECTOR	1	(A)	
16	R77483	CONNECTOR	1		
17	R48887	TAB CONNECTOR BODY	1		
18	T34067	TERMINAL	1	(E) (F)	
19	R77484	TERMINAL	1	(G) (PKG. OF 15)	
20	U46370	CONNECTOR	1	(B)	
21	R77485	TAB	1	(C) (F)	
22	R77486	TERMINAL	1	(E)	
23	R77487	CONNECTOR	1	(B)	
24	R66321	WIRING LEAD	1	15M (50 FT.) 10 GA.	
	R66320	WIRING LEAD	1	30.5M (100 FT.) 12 GA.	
	R77501	WIRE	1	30.5M (100 FT.) 14 GA.	
	R77500	WIRE	1	30.5M (100 FT.) 16 GA.	
	R77499	WIRE	1	30.5M (100 FT.) 18 GA. (SUB TY16086)	
	TY16086	WIRE	1		
	R77498	WIRE	1	30.5M (100 FT.) 20 GA.	
25	R77462	PIN CONTACT	1	(PKG. OF 40) 20-22 OR 24 GA. WIRE	
26	R77464	PIN CONTACT	1	(H) (PKG. OF 50)	
27	R77456	RECEPTACLE	1	(37 WAY)	
28	R77458	CONNECTOR	1	(A) SIZE 23	
	R77459	CONNECTOR	1	(A) SIZE 17	
	R77460	CONNECTOR	1	(A) SIZE 13	
	R77461	CONNECTOR	1	(A) SIZE 11	
29	R77457	ELECTRICAL PLUG	1	37 WAY	
30	R77463	SOCKET CONTACT	1	(PKG. OF 40) 20-22 OR 24 GA. WIRE	
31	R77465	SOCKET CONTACT	1	(H) (PKG. OF 50)	
32	R77468	TERMINAL	1	(PKG. OF 5) 18 GA.	
33	R77466	CONNECTOR	1	(A)	
34	R77467	CONNECTOR	1	(A)	

- (A) PKG. OF 2
- (B) PKG. OF 3
- (C) PKG. OF 10
- (D) PKG. OF 20
- (E) PKG. OF 25
- (F) 14 OR 16 GA. WIRE
- (G) 10 OR 12 GA. WIRE
- (H) 14-16 OR 18 GA. WIRE

ELECTRICAL CONNECTOR SERVICE KIT
RWP3870 -UN-01JAN94



ELECTRICAL CONNECTOR SERVICE KIT - CONTINUED

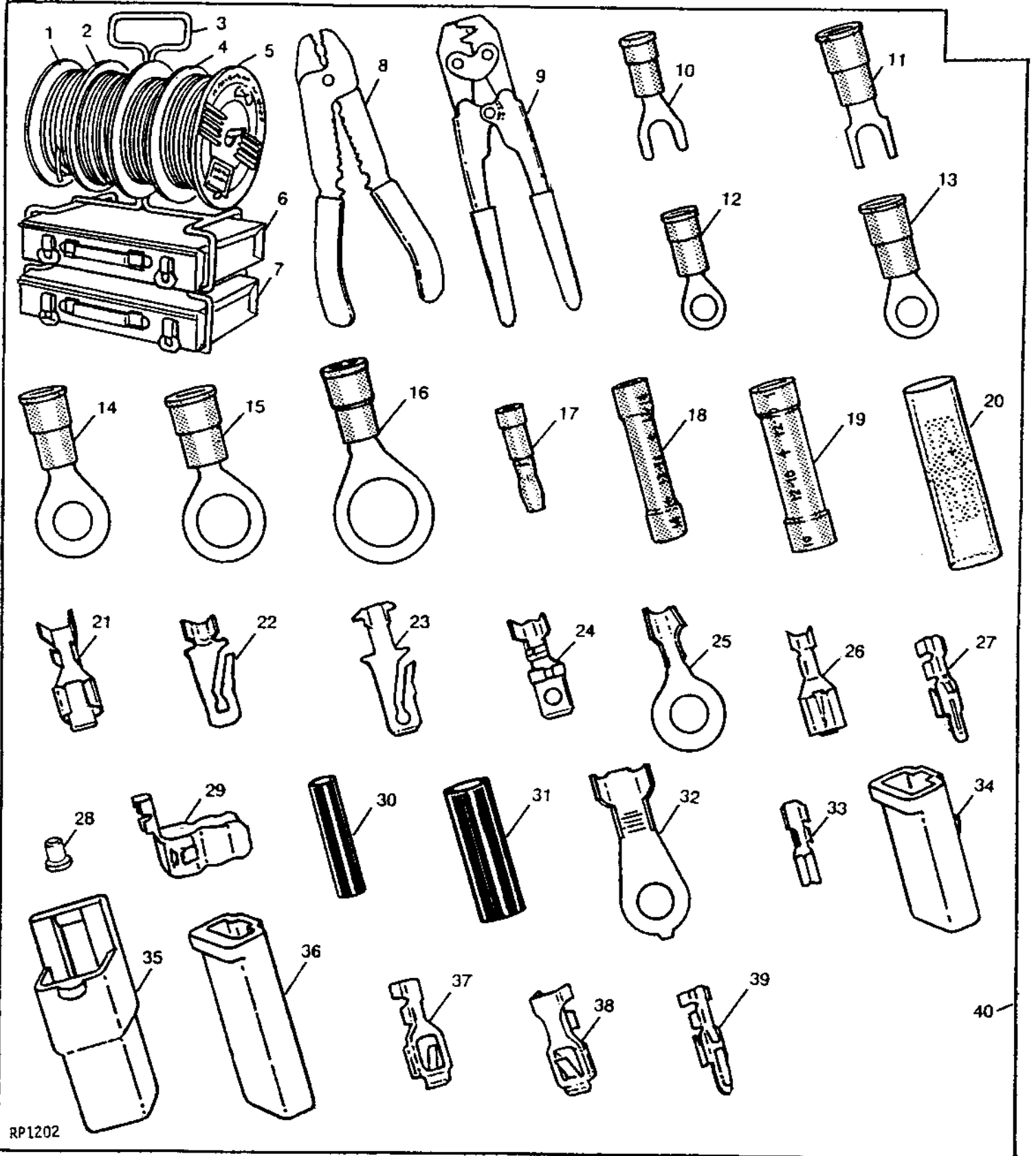
KEY	PART NO.	PART NAME	QTY	SERIAL NO.	REMARKS
35	R77469	TERMINAL	1	(PKG. OF 5) 18 GA.	
36	RE11156	TERMINAL	1	(B) MALE	
37	RE11157	TERMINAL	1	(B) FEMALE	
38	R70222	PIN CONTACT	1	(D) (H)	
39	R70221	ELECTRICAL PLUG	1	(E)	
40	R70219	PLUG	1	(PKG. OF (2) R70218 AND (2) R70219) 10 WAY	
	R70217	PLUG	1	(PKG. OF (2) R70216 AND (2) R70217) 7 WAY	
	R70215	PLUG	1	(PKG. OF (2) R70214 AND (2) R70215) 4 WAY	
	R70213	PIN CONTACT CONNECTOR BODY	1	(PKG. OF (2) R70212 AND (2) R70213) 3 WAY	
	R70211	CONNECTOR	1	(PKG. OF (2) R70210 AND (2) R70211) 2 WAY	
41	R70218	RECEPTACLE	1	ORDER R70219 WHICH CONTAINS (2) R70218 AND (2) R70219	
	R70216	RECEPTACLE	1	ORDER R70217 WHICH CONTAINS (2) R70216 AND (2) R70217	
	R70214	RECEPTACLE	1	ORDER R70215 WHICH CONTAINS (2) R70214 AND (2) R70215	
	R70212	RECEPTACLE	1	ORDER R70213 WHICH CONTAINS (2) R70212 AND (2) R70213	
	R70210	RECEPTACLE	1	(ORDER R70211) ORDER R70211 WHICH CONTAINS (2) R70210 AND (2) R70211	
42	AR91793	SOCKET CONTACT	1	(D)	
43	R30378	SPRING	1	(C)	
44	R77474	CONNECTOR	1	(A) 6 WAY	
45	R77470	TERMINAL	1	SPLICE (PKG. OF 15) 16-18-20 OR 22 GA. WIRE	
	R77471	TERMINAL	1	(C) (G) SPLICE	
	R77472	TERMINAL	1	(A) SPLICE (8 GA. WIRE)	
	R77473	TERMINAL	1	(A) SPLICE (6 GA. WIRE)	
46	R65607	TERMINAL	1	(C) (18 OR 20 GA. WIRE)	
47	U46664	TERMINAL	1	(C) (F)	
48	R32026	TERMINAL	1	(D) (F)	
49	R65602	SOCKET CONTACT	1	(C) 16 OR 18 GA. WIRE	
50	R70220	TERMINAL	1	(C) 18 OR 20 GA. WIRE	
51	R77489	TERMINAL	1	(D) 14-16-18 OR 20 GA. WIRE; NO. 10 EYELET	
	R77493	TERMINAL	1	(D) (G) NO. 10 EYELET	
	R77488	TERMINAL	1	(D) 14-16-18 OR 20 GA. WIRE; 3/8" EYELET	
	R77490	TERMINAL	1	(D) (G) (1/2" EYELET)	
52	R77496	TERMINAL	1	(D) (F) NO. 8 SPADE	
	R77495	TERMINAL	1	(D) 18 GA. WIRE; NO. 10 SPADE	
53	R77497	TERMINAL	1	(D) (F) NO. 6 SPADE	
54	R77491	TERMINAL	1	(D) (G) 3/8" EYELET	
	R77492	TERMINAL	1	(D) (G) 1/4" EYELET	
55	R77494	TERMINAL	1	(D) 6 OR 8 GA. WIRE; 1/4" EYELET	
56	R77502	TUBE	1	(PKG. OF 8) 3/8", HEAT SHRINK	
	R77503	TUBE	1	(PKG. OF 8) 3/16", HEAT SHRINK	
57	PM797NA	KIT	1		

- (A) PKG. OF 2
- (B) PKG. OF 3
- (C) PKG. OF 10
- (D) PKG. OF 20
- (E) PKG. OF 25
- (F) 14 OR 16 GA. WIRE
- (G) 10 OR 12 GA. WIRE
- (H) 14-16 OR 18 GA. WIRE

1J5

ELECTRICAL

TERMINAL AND WIRING KIT
RP1202 -UN-12SEP95

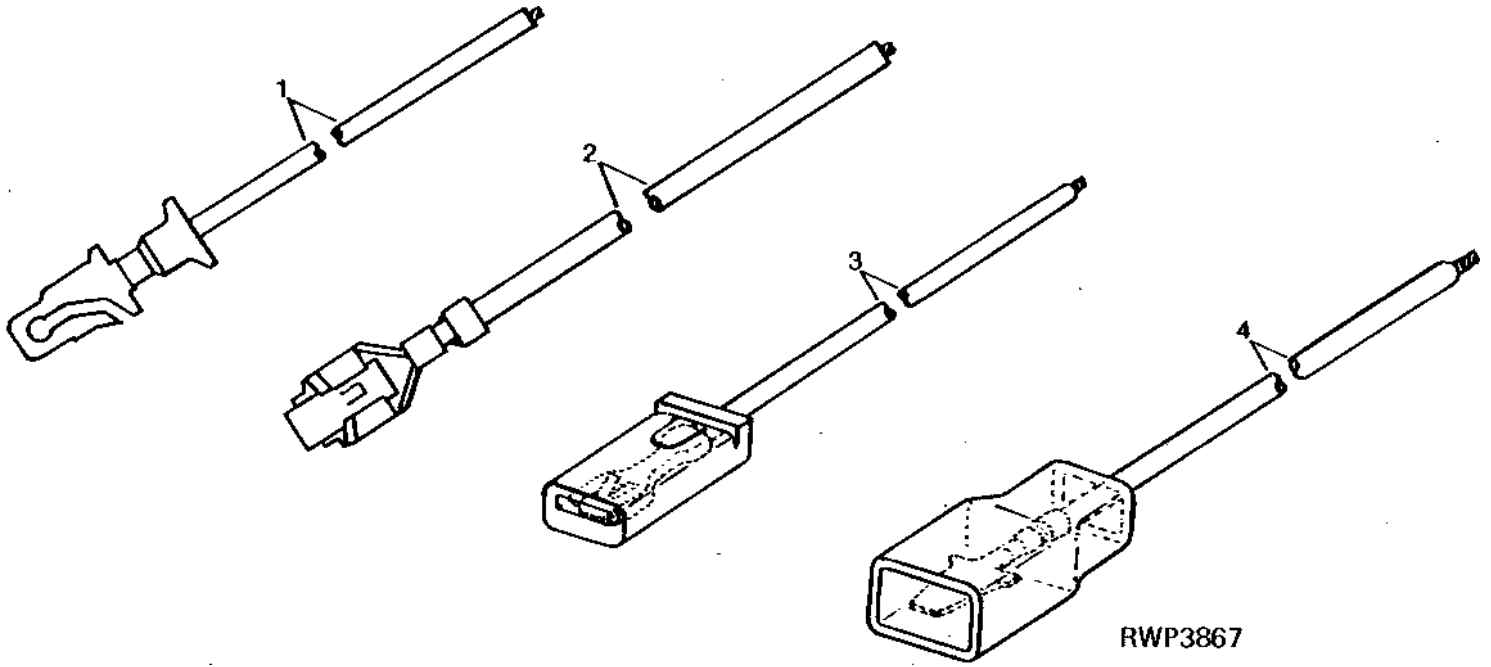


TERMINAL AND WIRING KIT - CONTINUED

KEY	PART NO.	PART NAME	QTY	SERIAL NO.	REMARKS
1	R66319	WIRING LEAD	1		PRIMARY, 14 GA., 30,480 MM (100') (1 SPOOL)
2	R65593	WIRING LEAD	1		PRIMARY, 16 GA., 30,480 MM (100') (1 SPOOL)
3	R65608	RACK	1		
4	R66321	WIRING LEAD	1		PRIMARY, 10 GA., 15,240 MM (50') (1 SPOOL)
5	R66320	WIRING LEAD	1		PRIMARY, 12 GA., 30,480 MM (100') (1 SPOOL)
6	R65609	CONTAINER	1		32 COMPARTMENT
7	R65610	CONTAINER	1		11 COMPARTMENT
8	R32011	TOOL	1		WIRING, STRIPPING
9	R65594	TOOL	1		WIRING, CRIMPING
10	R32016	TERMINAL	1		PRIMARY, 14-16 GA., NO. 10 SPADE
11	R32017	TERMINAL	1		PRIMARY, 10-12 GA., NO. 10 SPADE
12	R32018	TERMINAL	1		PRIMARY, 14-16 GA., NO. 10 EYELET
13	R32019	TERMINAL	1		PRIMARY, 10-12 GA., NO. 10 EYELET
14	R32021	TERMINAL	1		PRIMARY, 10-12 GA., 1/4" EYELET
15	R32022	TERMINAL	1		PRIMARY, 10-12 GA., 3/8" EYELET
16	R32023	TERMINAL	1		PRIMARY, 10-12 GA., 1/2" EYELET
17	R32026	TERMINAL	1		MALE BULLET
18	R32027	CONNECTOR	1		SPLICE, 14-16 GA.
19	R32028	TERMINAL	1		SPLICE, 10-12 GA.
20	AL2976T	CONNECTOR	1		
21	R65595	TERMINAL	1		FEMALE, 10 GA.
22	R65596	TERMINAL	1		MALE, 10 GA., OR TWO 14 GA. CABLES
23	R65597	TERMINAL	1		MALE, 14-16 GA.
24	R65598	TERMINAL	1		MALE, SHORT, 14-16 GA.
25	R65599	TERMINAL	1		14-16 GA., 1/4" EYELET
26	R65600	TERMINAL	1		FEMALE, 14-16 GA.
27	R65601	TERMINAL	1		TWIN-LOCK, TWO 16 GA. CABLES
28	R65602	SOCKET CONTACT	1		BULB SOCKET, 16-18 GA.
29	R65603	TERMINAL NIPPLE	1		FUSE
30	R65604	INSULATING SLEEVE	1		14-18 GA.
31	R65605	INSULATING SLEEVE	1		8-12 GA.
32	R65606	TERMINAL	1		6-8 GA., 1/4" EYELET
33	R65607	TERMINAL	1		18-20 GA.
34	T28583	RECEPTACLE CONNECTOR BODY	1		ONE CONTACT LOCK-TYPE, MALE
35	T28585	TAB CONNECTOR BODY	1		ONE CONTACT LOCK-TYPE, FEMALE
36	U46370	CONNECTOR	1		ONE CONTACT SINGLE BODY, MALE
37	U46662	TERMINAL	1		CONNECTOR, ONE CONTACT SINGLE BODY, MALE
38	U46663	TERMINAL	1		MALE
39	U46664	TERMINAL	1		MALE
40	PM797NA	KIT	1		

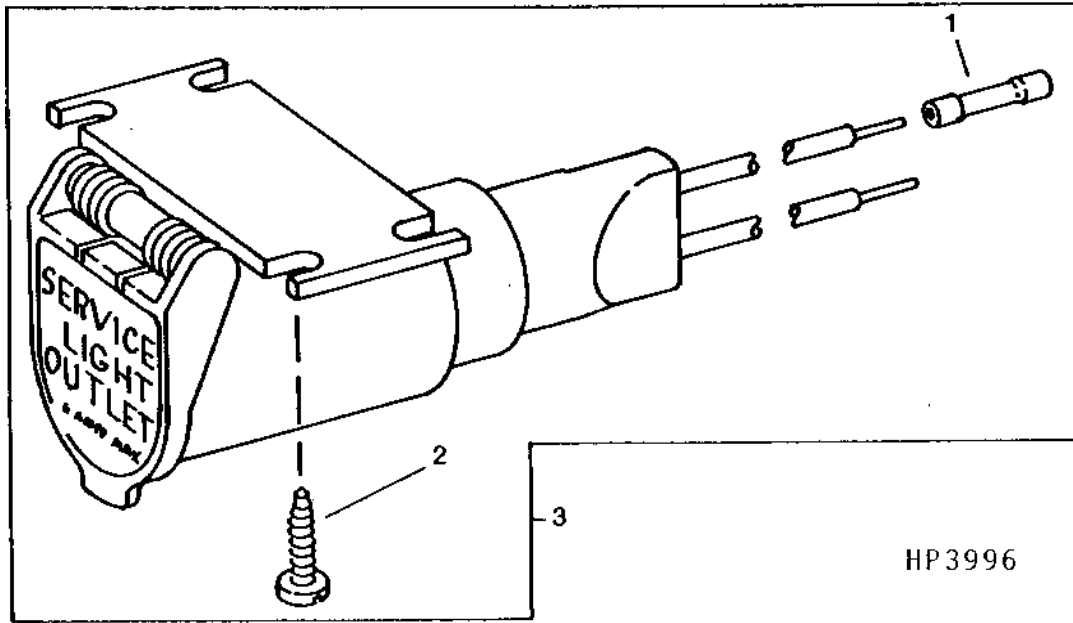
SUPPLEMENTARY TERMINALS AND CONNECTORS

RWP3867 -UN-01JAN94



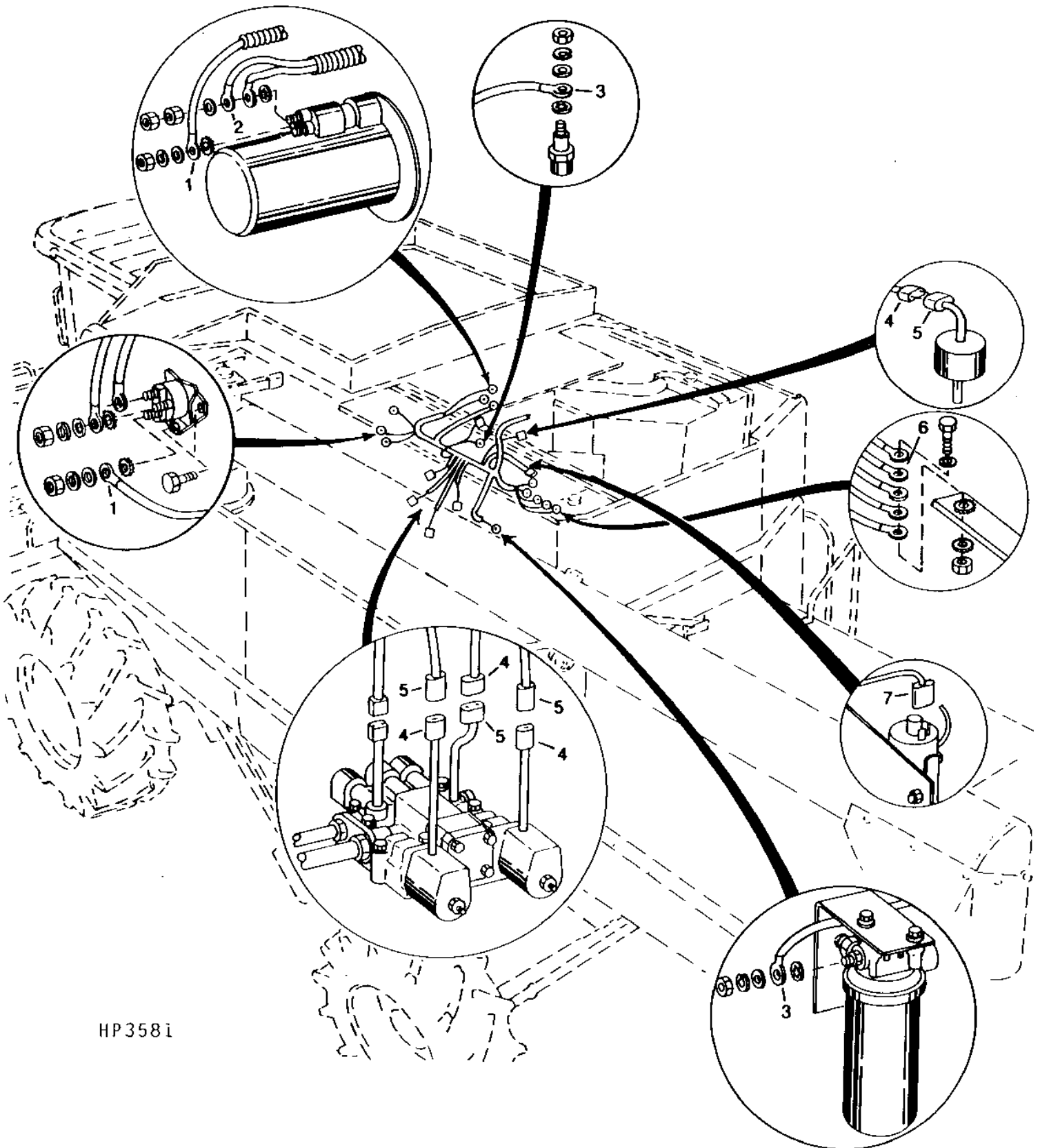
KEY	PART NO.	PART NAME	QTY	SERIAL NO.	REMARKS
1	AR65005	TERMINAL	1		
2	AR65006	TERMINAL	1		
3	R32024	WIRING LEAD	1		
4	R32025	WIRING LEAD	1		

ELECTRICAL SERVICE OUTLET
 HP3996 -UN-01JAN94



KEY	PART NO.	PART NAME	QTY	SERIAL NO.	REMARKS
1	R32027	CONNECTOR	2		
2	37M7060	SCREW	2	M4 X 10	
3	AH135821	SOCKET OUTLET	1		

LOWER HARNESS CONNECTORS FOR ENGINE
HP3581 -UN-01JAN94



HP3581

1J10

ELECTRICAL

LOWER HARNESS CONNECTORS FOR ENGINE - CONTINUED

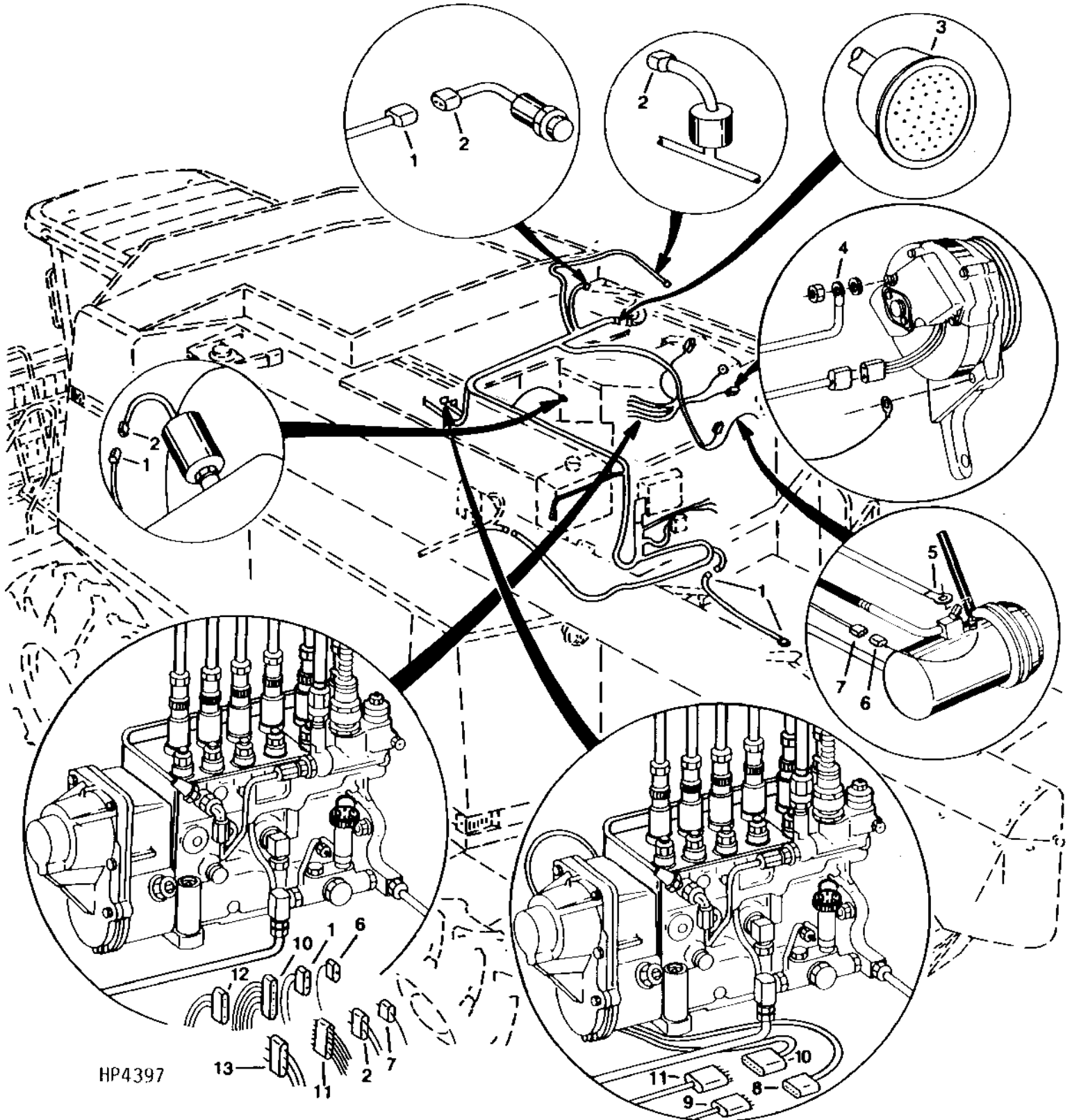
KEY	PART NO.	PART NAME	QTY	SERIAL NO.	REMARKS
1	R77493	TERMINAL	1		
2	R77491	TERMINAL	1		
3	R77489	TERMINAL	2		
4	R78053	PIN CONTACT CONNECTOR BODY	4		(PKG OF 3)
	R78061	PIN CONTACT	2		(PKG OF 40)
	R78063	TERMINAL NIPPLE	2		(PKG OF 40)
5	RE12363	CONNECTOR	4		(PKG OF 3)
	R78048	TERMINAL NIPPLE	1		(PKG OF 5)
6	57M7111	TERMINAL	1		(NO LONGER AVAILABLE)
7	R77479	CONNECTOR	1		FOR ETHER START
	U46662	TERMINAL	1		FOR ETHER START

1J11

ELECTRICAL

UPPER HARNESS CONNECTORS FOR ENGINE

HP4397 -UN-01JAN94



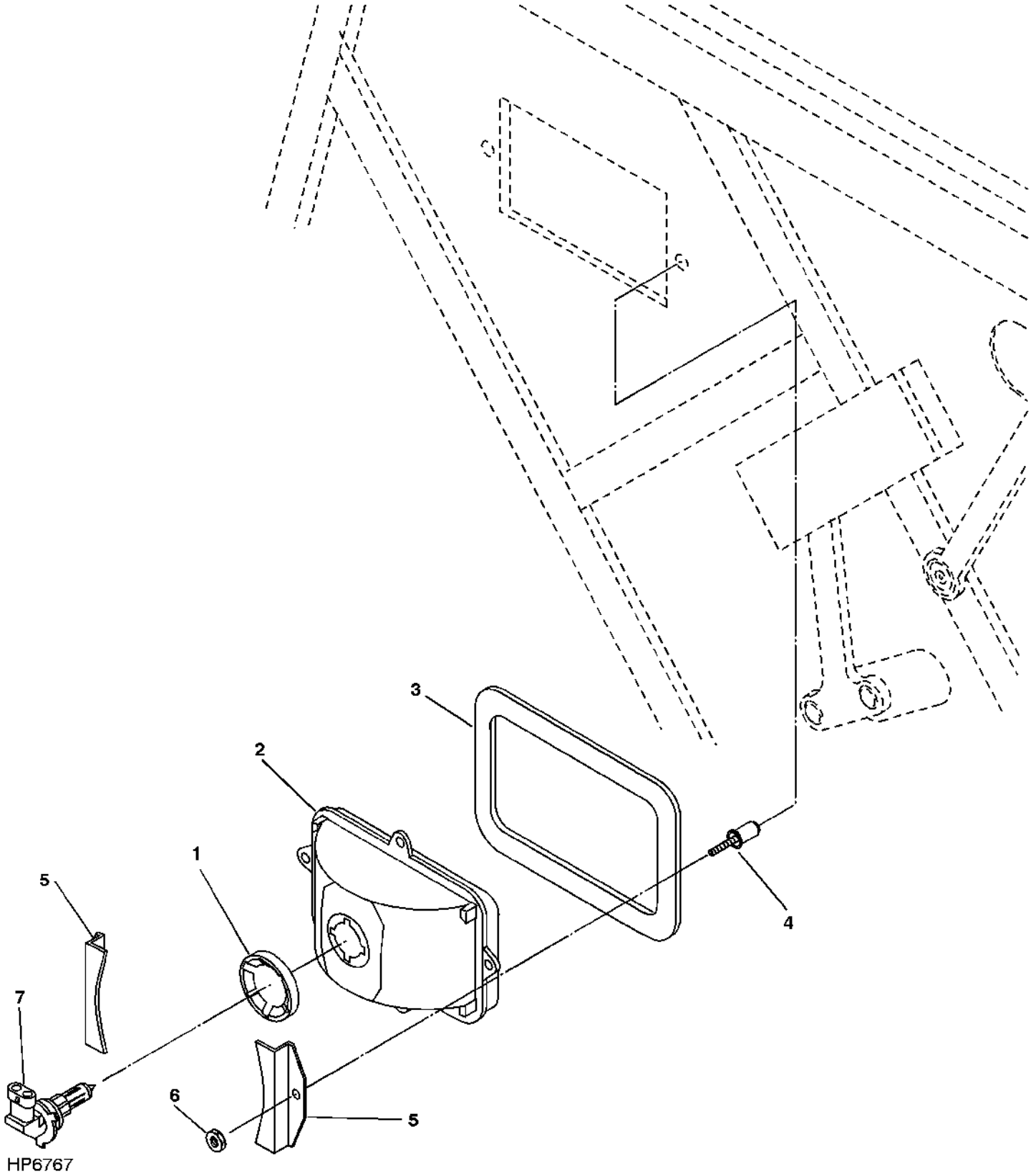
UPPER HARNESS CONNECTORS FOR ENGINE - CONTINUED

KEY	PART NO.	PART NAME	QTY	SERIAL NO.	REMARKS
1	RE12363	CONNECTOR	1	(PKG OF 3)	
	R78048	TERMINAL NIPPLE	2	(PKG OF 5)	
	R78060	SOCKET CONTACT	2	(PKG OF 40)	
2	R78063	TERMINAL NIPPLE	1	(PKG OF 40)	
	R78053	PIN CONTACT CONNECTOR BODY	2	(PKG OF 3)	
	R78063	TERMINAL NIPPLE	2	(PKG OF 40)	
3	R78060	SOCKET CONTACT	2	(PKG OF 40)	
	R77457	ELECTRICAL PLUG	1	37 PIN CONNECTOR	
	R77465	SOCKET CONTACT	1		
4	R77463	SOCKET CONTACT	1		
	R77494	TERMINAL	1		
	R77489	TERMINAL	1		
6	R78052	PIN CONTACT CONNECTOR BODY	1	(PKG OF 3)	
	R78061	PIN CONTACT	1	(PKG OF 40)	
	R78063	TERMINAL NIPPLE	1	(PKG OF 40)	
7	RE12362	CONNECTOR	1	(PKG OF 3)	
	R78060	SOCKET CONTACT	1	(PKG OF 40)	
	R78063	TERMINAL NIPPLE	1	(PKG OF 40)	
8	R78055	PIN CONTACT CONNECTOR BODY	1	(PKG OF 2)	
	R78058	PIN CONTACT	1	(PKG OF 40)	
	R78059	ELECTRICAL PLUG	1	(PKG OF 40)	
9	RE12365	CONNECTOR	1	(PKG OF 2)	
	R78050	SEAL	1	(PKG OF 5)	
	R78060	SOCKET CONTACT	1	(PKG OF 40)	
10	R78059	ELECTRICAL PLUG	1	(PKG OF 40)	
	R78056	PIN CONTACT CONNECTOR BODY	1	(PKG OF 2)	
	R78058	PIN CONTACT	1	(PKG OF 40)	
11	R78059	ELECTRICAL PLUG	1	(PKG OF 40)	
	RE12366	CONNECTOR	1	(PKG OF 2)	
	R78051	SEAL	1	(PKG OF 5)	
12	R78057	SOCKET CONTACT	1	(PKG OF 40)	
	R78059	ELECTRICAL PLUG	1	(PKG OF 40)	
	RE12332	CONNECTOR	1		
13	R78054	PIN CONTACT CONNECTOR BODY	1	(PKG OF 3)	
	R78060	SOCKET CONTACT	1	(PKG OF 40)	
	R78063	TERMINAL NIPPLE	1	(PKG OF 40)	
13	RE12364	SOCKET CONT.CONNECTOR BODY	1	(PKG OF 3)	
	R78049	SEAL	1	(PKG OF 5)	
	R78060	SOCKET CONTACT	1	(PKG OF 40)	
	R78063	TERMINAL NIPPLE	1	(PKG OF 40)	

1J13

ELECTRICAL

SHOE LAMP INSTALLATION HP6767 -UN-18AUG97



1J14

ELECTRICAL

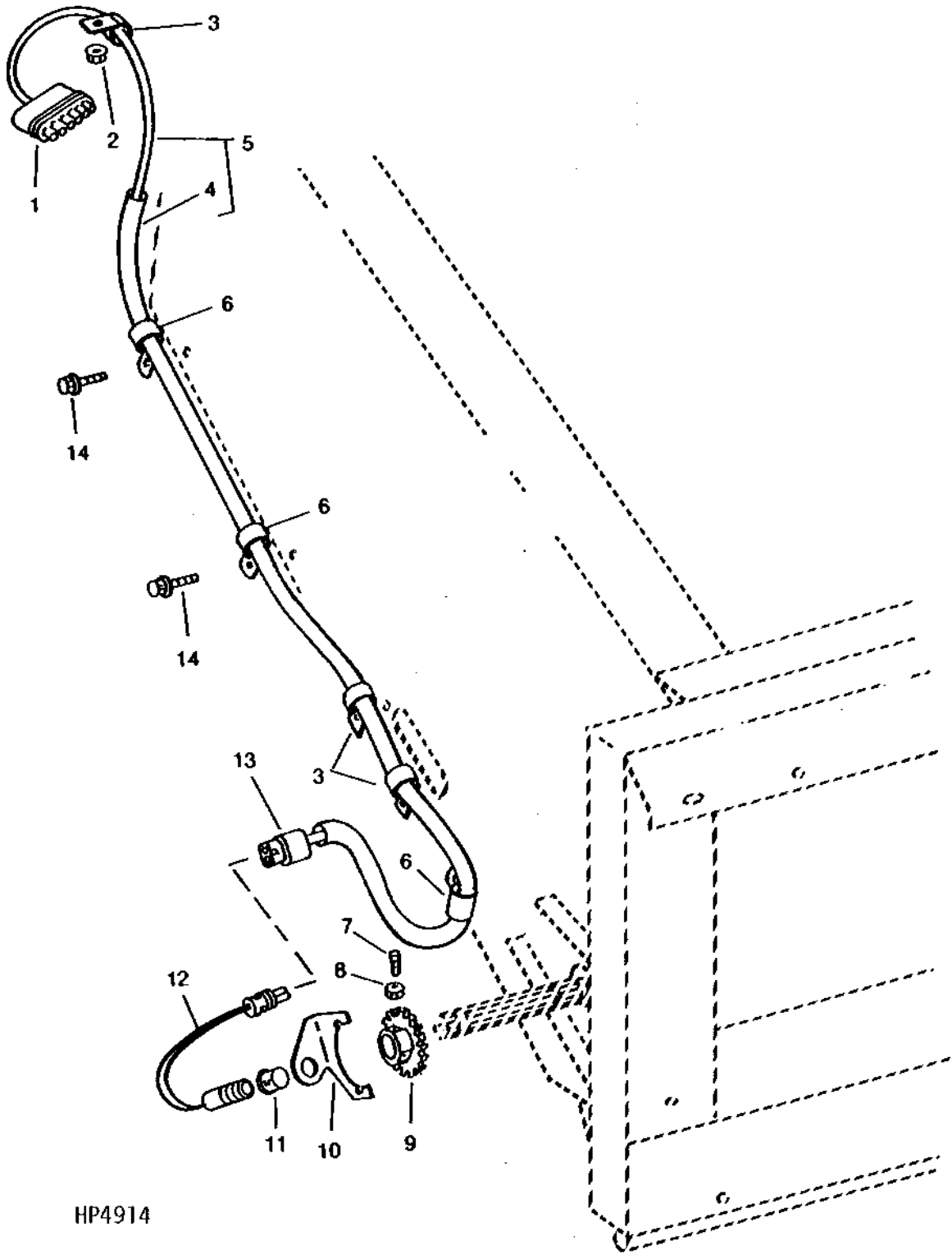
SHOE LAMP INSTALLATION - CONTINUED

KEY	PART NO.	PART NAME	QTY	SERIAL NO.	REMARKS
1	AH128328	FLOODLAMP	1		
2	H132900	RETAINER	1		
3	H132688	BRACKET	1		
4	19M7774	SCREW	1	M6 X 12	
5	H132687	RETAINER	1		
6	14M7303	FLANGE NUT	1	M6	
7	AH127718	BULB	1	(SUB AH162231)	
	AH162231	BULB	1		

1J15

ELECTRICAL

FEEDER HOUSE BACKSHAFT SPEED SENSOR
HP4914 -UN-01JAN94



HP4914

1J16

ELECTRICAL

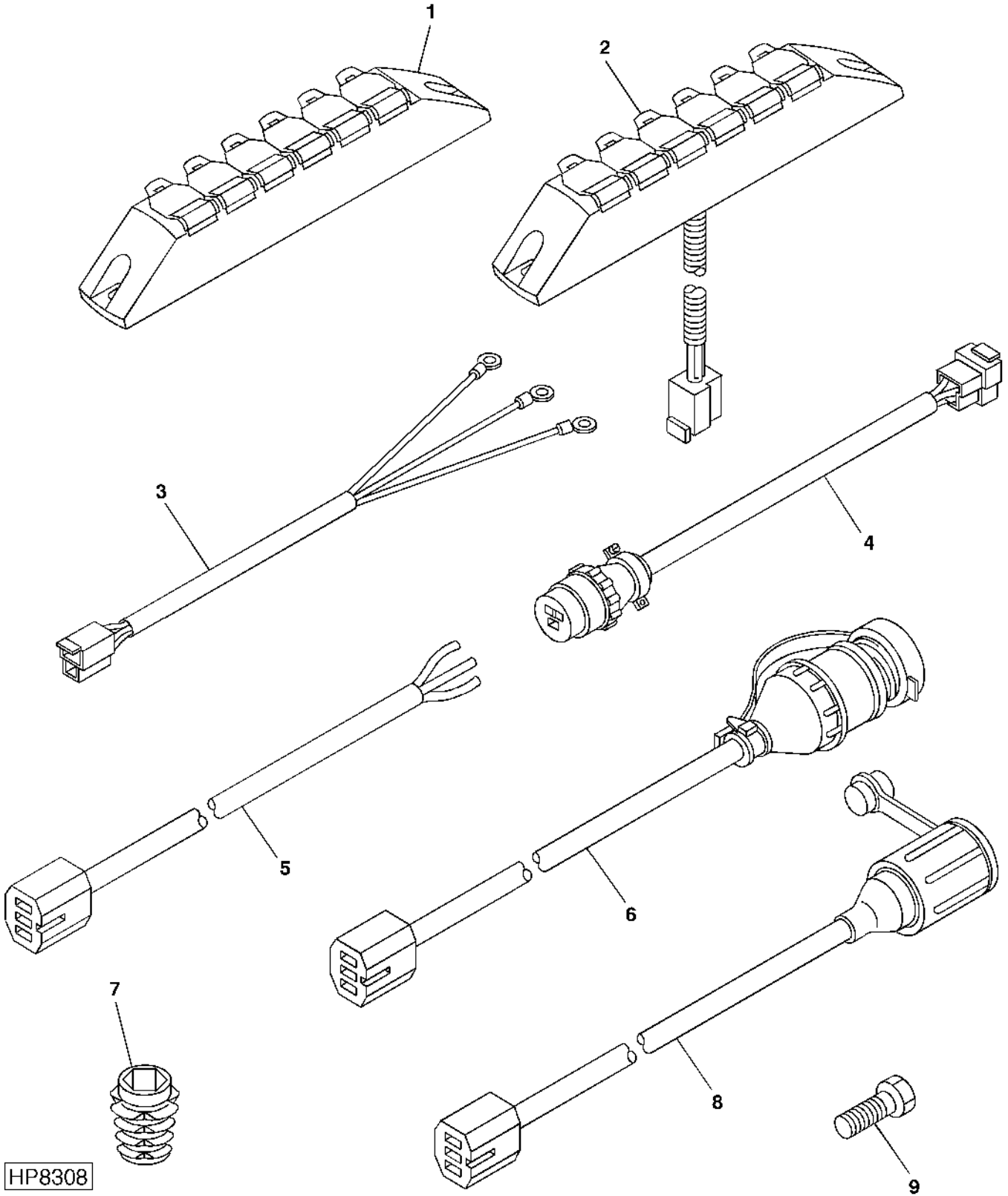
FEEDER HOUSE BACKSHAFT SPEED SENSOR - CONTINUED

KEY	PART NO.	PART NAME	QTY	SERIAL NO.	REMARKS
1	RE12366	CONNECTOR	1		(PKG OF 2)
	R78051	SEAL	1		(PKG OF 5)
	R78060	SOCKET CONTACT	1		(PKG OF 40)
2	14M7299	FLANGE NUT	1		M12
3	AH77279	CLIP	3		
4	H132800	HOSE	1		
5	AH134288	WIRING HARNESS	1		
6	AH89557	CLIP	3		
7	A50743	BOLT	2		
8	14M7272	NUT	2		M6
9	H135772	WHEEL	1		
	H170634	WHEEL	1		USE WITH AH153341 (GEARBOX) AND AH149349 (DRIVE SPROCKET)
10	H135773	BRACKET	1		
11	H121110	CLIP	1		
12	AH116104	SENSOR	1		BACKSHAFT SPEED
13	R78053	PIN CONTACT CONNECTOR BODY	1		(PKG OF 3)
	R78063	TERMINAL NIPPLE	1		(PKG OF 40)
14	37M7083	SCREW	2		M8 X 12

1J17

ELECTRICAL

KIT, CONVENIENCE OUTLET
HP8308 -UN-10MAR99



1J18

ELECTRICAL

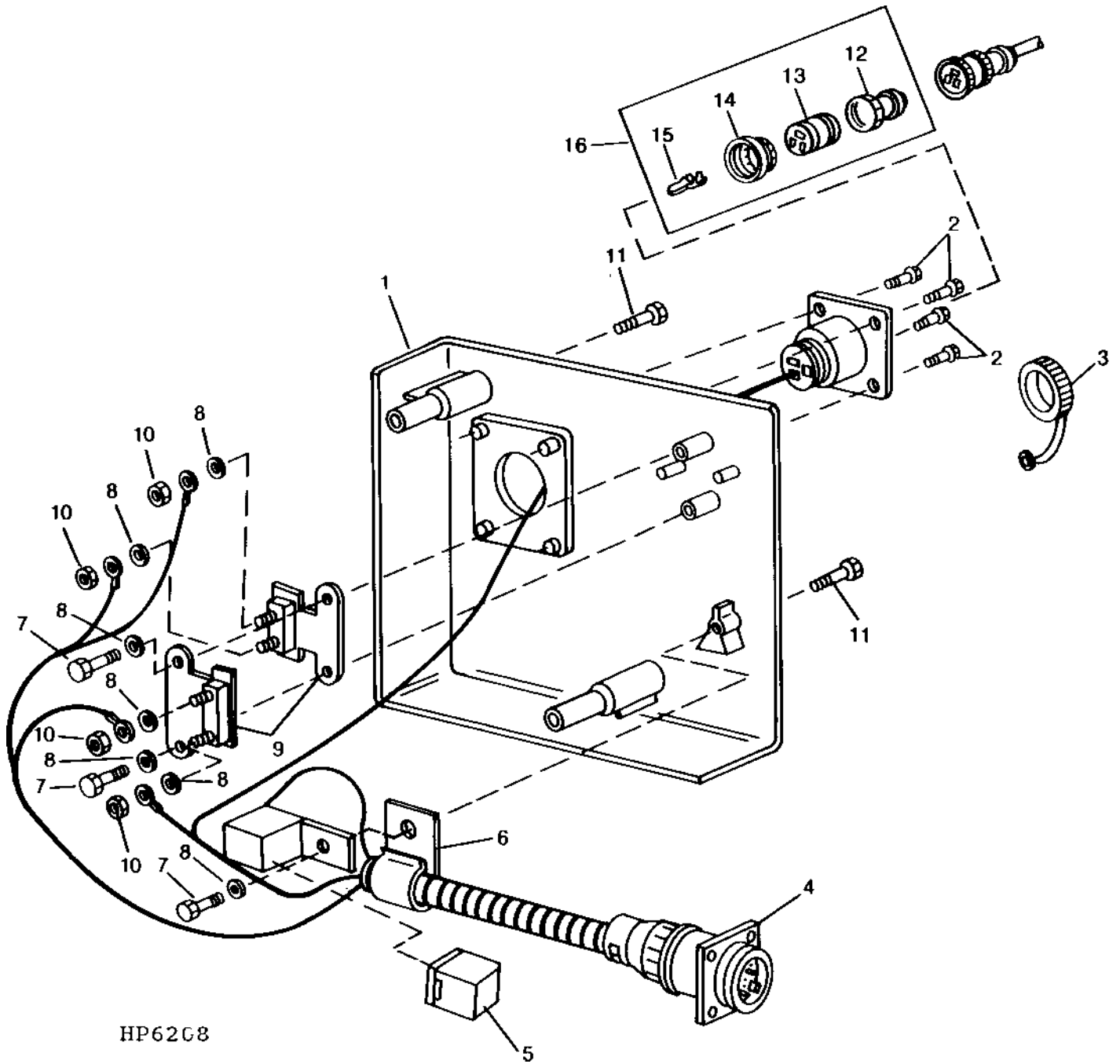
KIT, CONVENIENCE OUTLET - CONTINUED

KEY	PART NO.	PART NAME	QTY	SERIAL NO.	REMARKS
1	RE68495	STRIP	1	23SE96-	
2	AH152668	TERMINAL	1	23SE96-	
3	AH153311	WIRING HARNESS	1	23SE96-	
4	AH153133	WIRING HARNESS	1	23SE96-	
5	RE67013	ELECTRICAL PLUG	1	23SE96-	
6	RE67015	ADAPTER	1	23SE96-	
7	H159806	INSERT	1	23SE96-	
8	RE67014	ADAPTER	1	23SE96-	
9	21M7296	SCREW	2		M6 X 20
..	BH81255	COMPLETE GOODS/SHIP. BUNDLE	1		CONVENIENCE OUTLET KIT

1J19

ELECTRICAL

CONVENIENCE OUTLET
HP6208 -UN-20DEC95



HP6208

1J20

ELECTRICAL

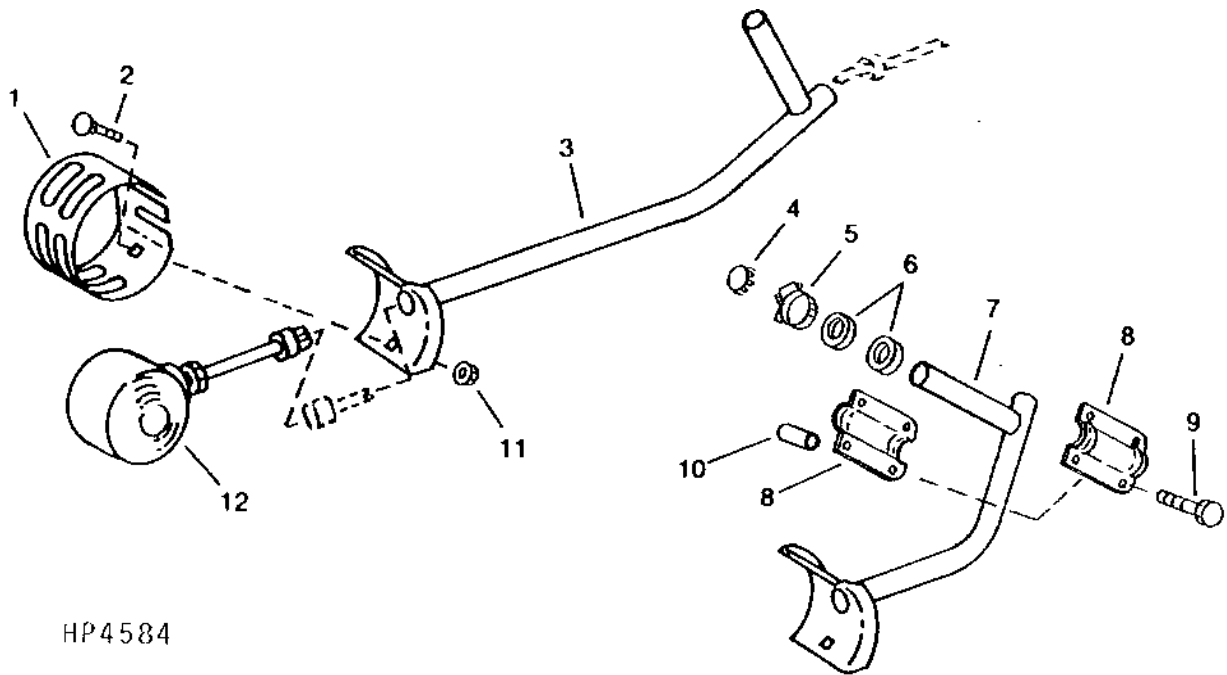
CONVENIENCE OUTLET - CONTINUED

KEY	PART NO.	PART NAME	QTY	SERIAL NO.	REMARKS
1	H151579	BRACKET	1	-28SEP8	
	H168998	BRACKET	1	28SEP8-	
2	H111364	SCREW	4		
3	57M7391	INSULATING CAPSULE	1		
4	AH152020	WIRING HARNESS	1	-28SEP8	
	AH161930	WIRING HARNESS	1	28SEP8-	
5	AH106612	RELAY	1		
6	AH89557	CLIP	1		
7	H123998	SCREW	3		
8	12H295	LOCK WASHER	7		4.826 MM (0.190")
9	AR49352	CIRCUIT BREAKER	2		30 AMP
10	14H778	NUT	4		4.826 MM (0.190")
11	H132451	CAP SCREW	2		M6 X 50
12	AE44931	CONNECTOR	1		
13	AE44929	CONNECTOR	1		
14	R77459	CONNECTOR	1		
15	RE11157	TERMINAL	2		
16	RE37651	PLUG	1		

1J21

ELECTRICAL

TRANSPORT WARNING LIGHTS
HP4584 -UN-01JAN94



HP4584

TRANSPORT WARNING LIGHTS - CONTINUED

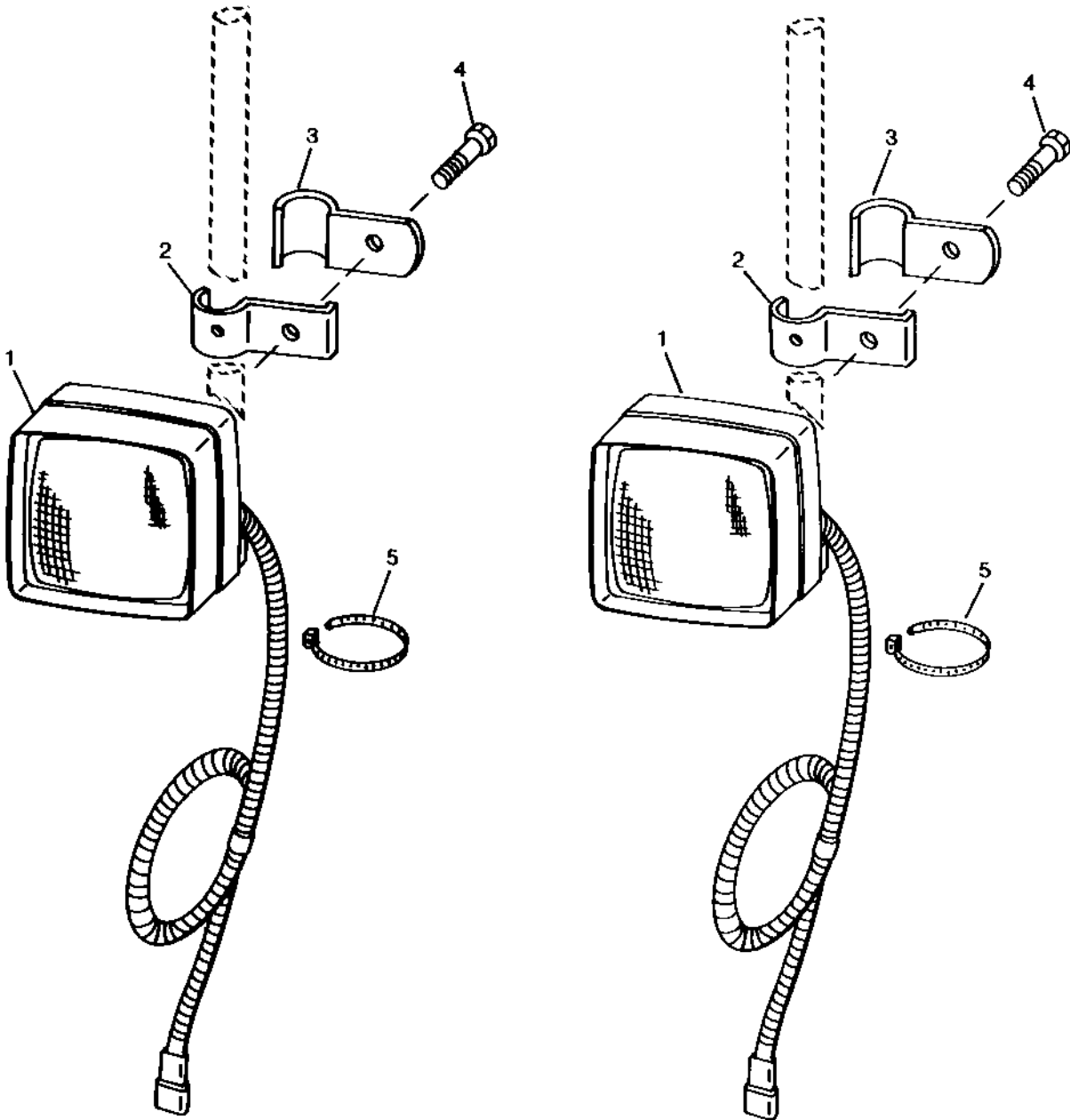
KEY	PART NO.	PART NAME	QTY	SERIAL NO.	REMARKS
1	H143317	SHIELD	1		
2	03M7183	BOLT	4	M8 X 16	
3	AH136496	TUBE	2		
4	H106000	PLUG	2		
5	AT18904	CLAMP	2		
6	H136110	ISOLATOR	2		
7	AH136494	TUBE	2		
8	H136109	SUPPORT	4		
9	19M7863	SCREW	8	M6 X 25	
10	28H1914	BUSHING	4		
11	14M7298	FLANGE NUT	4	M8	
12	AH133316	LAMP	2	(SUB AH164497)	
	AH164497	LAMP	2		
..	BH79539	COMPLETE GOODS/SHIP. BUNDLE	1	LAMP AND SHIELD MARKER LIGHTS	

1J23

ELECTRICAL

FIELD LIGHTS

HP5865 -UN-15OCT94



HP5865

1J24

ELECTRICAL

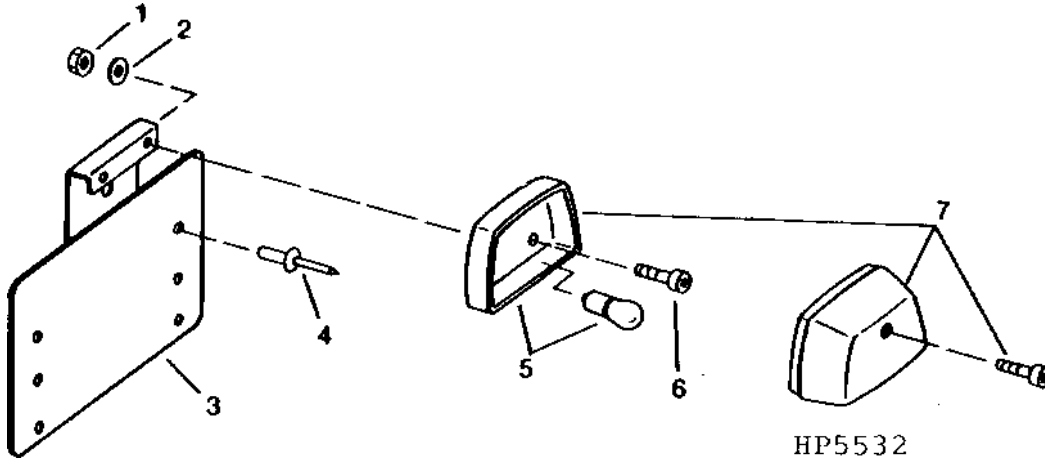
FIELD LIGHTS - CONTINUED

KEY	PART NO.	PART NAME	QTY	SERIAL NO.	REMARKS
1	AH145563	FLOODLAMP	2		(INCLUDES AT130104, T80393 AND (4) T80394)
2	H83790	CLAMP	2		
3	H83791	CLAMP	2		
4	19M7867	SCREW	2	M8 X 25	
5	R44302	TIE BAND	2		

LICENSE PLATE LAMPS

(EXPORT)

HP5532 -UN-01JAN94

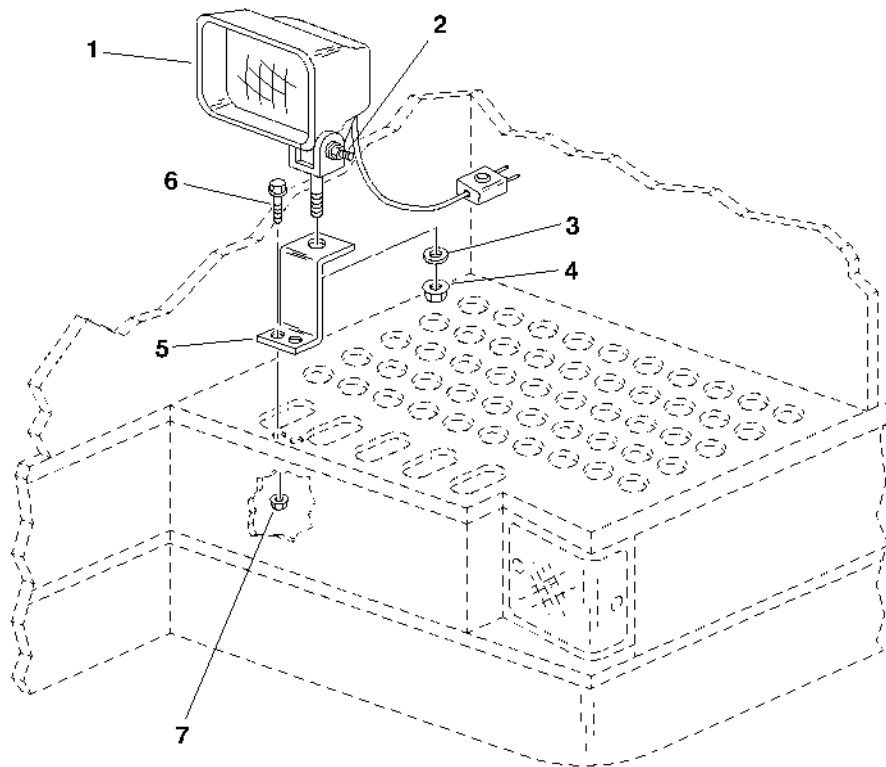


KEY	PART NO.	PART NAME	QTY	SERIAL NO.	REMARKS
1	14M7139	NUT	2	M4	
2	12M7084	LOCK WASHER	2	4.300 MM	
3	DA16616	SUPPORT	1		
4	R55326	RIVET	4	4.775 MM	
5	57M7013	BULB	1		
6	21M7216	SCREW	2	M4 X 20	
7	DA22761	LAMP	1		

BH79907 (COMPLETE GOODS) LICENSE PLATE LAMPS

REAR LAMP ASSEMBLY - R.H. SIDE

HP7289 -UN-08JAN98

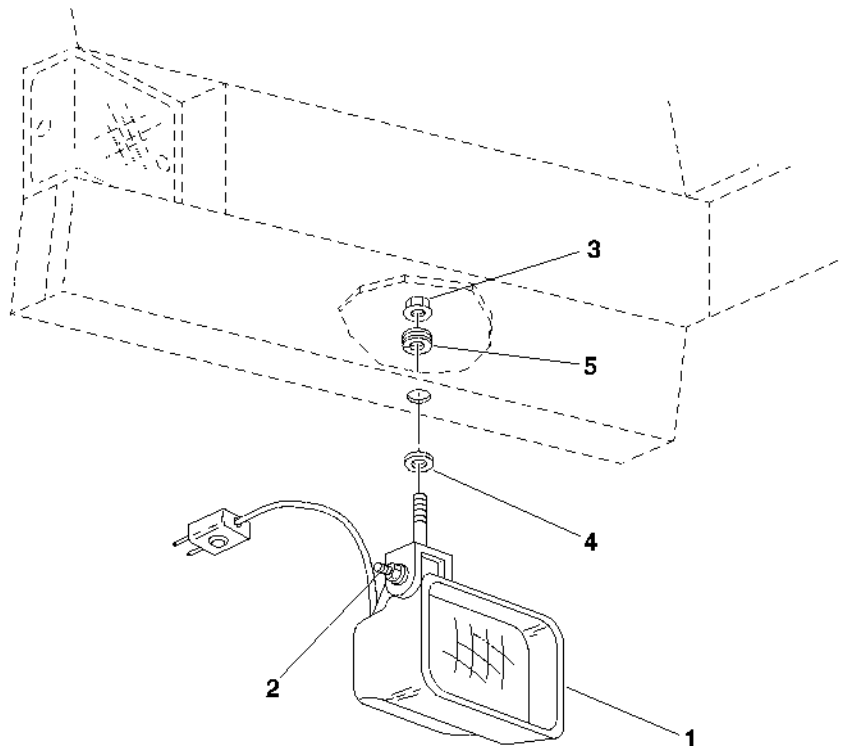


HP7289

KEY	PART NO.	PART NAME	QTY	SERIAL NO.	REMARKS
1	AH158038	FLOODLAMP	1		
	AH165877	BULB	1		
2	19M7298	CAP SCREW	1		M8 X 35
	14M7298	FLANGE NUT	1		M8
3	24M7101	WASHER	1		11 X 34 X 3 MM
4	14M7298	FLANGE NUT	1		M8
5	H162996	BRACKET	1		
6	19M7866	SCREW	2		M8 X 20
7	14M7298	FLANGE NUT	2		M8

REAR LAMP ASSEMBLY - L.H. SIDE

HP7288 -UN-08JAN98



HP7288

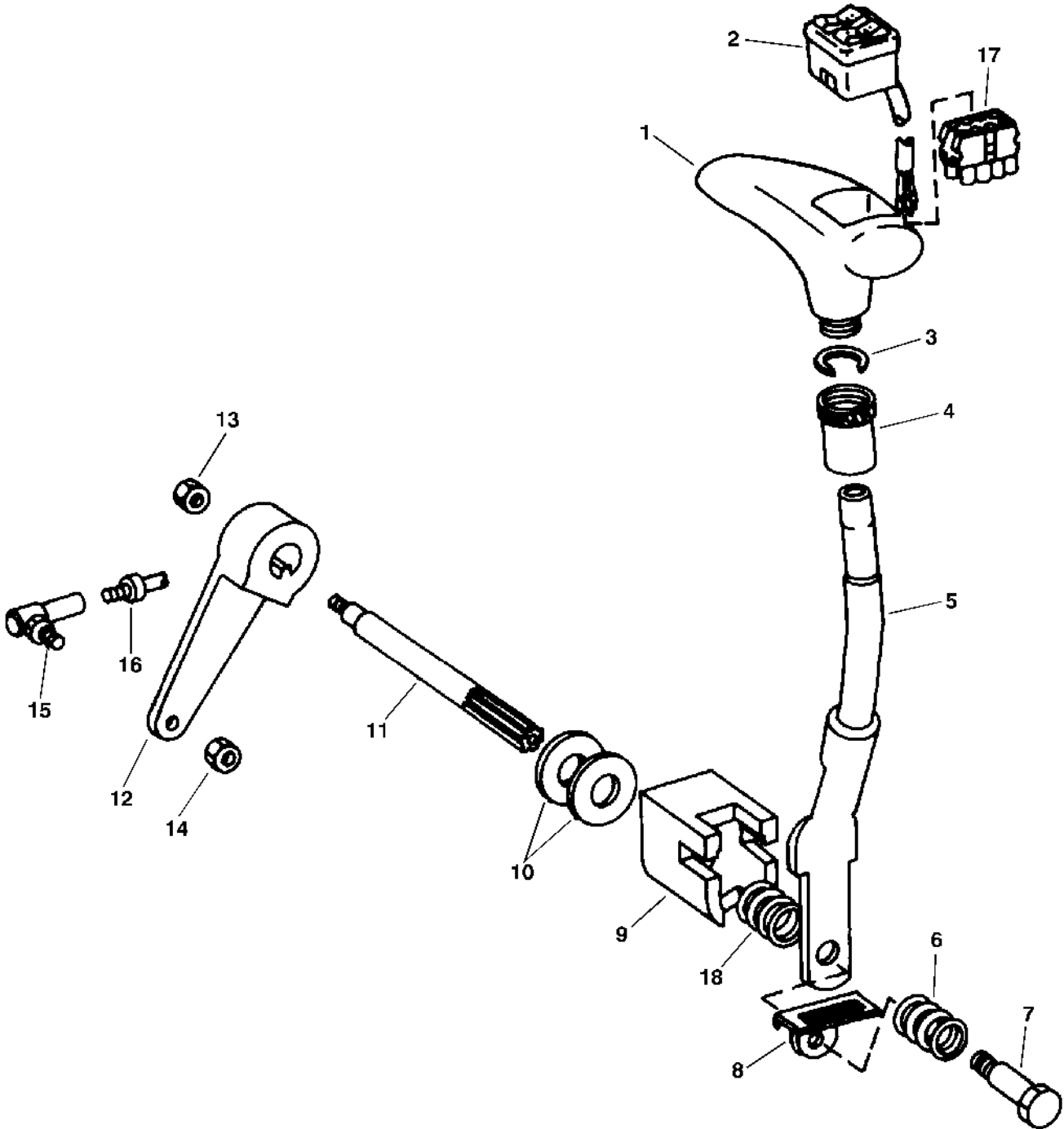
KEY	PART NO.	PART NAME	QTY	SERIAL NO.	REMARKS
1	AH158038	FLOODLAMP	1		
	AH165877	BULB	1		
2	19M7298	CAP SCREW	1	M8 X 35	
	14M7298	FLANGE NUT	1	M8	
3	14M7298	FLANGE NUT	1	M8	
4	24M7101	WASHER	1	11 X 34 X 3 MM	
5	R32555	GROMMET	1		
	R67363	PLUG	1	(LESS LAMP ASSY)	

MEMORANDA

2B8

HYDROSTATIC DRIVE LEVER, CABLE AND SWITCH

HP7167 -UN-09OCT97



HP7167

2B9

POWER TRAIN

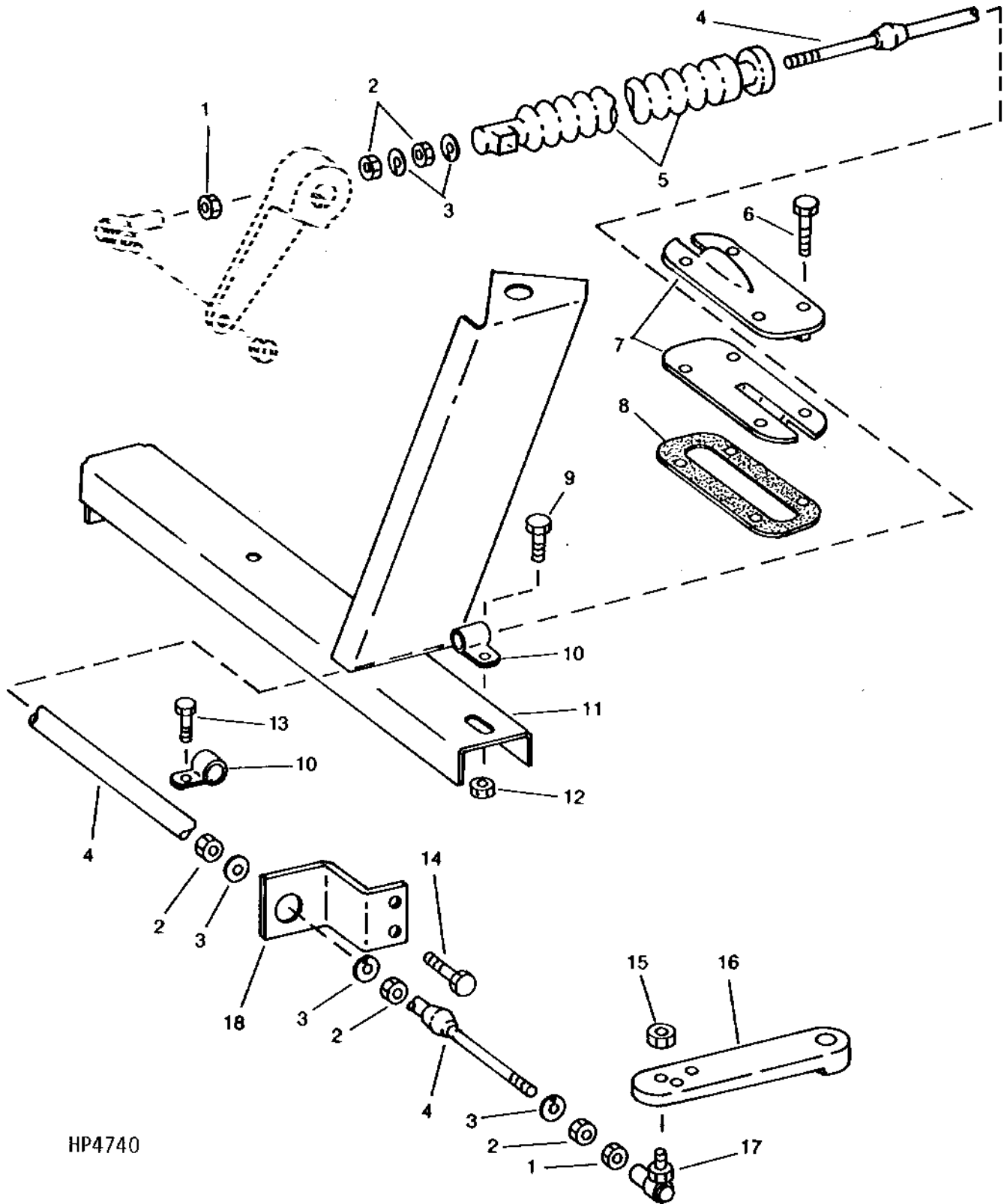
HYDROSTATIC DRIVE LEVER, CABLE AND SWITCH - CONTINUED

KEY	PART NO.	PART NAME	QTY	SERIAL NO.	REMARKS
1	AH115281	KNOB	1		W/O CONTOUR MASTER
	AH145061	KNOB	1		W/CONTOUR MASTER
2	AH145060	SWITCH	1		W/CONTOUR MASTER
3	T12033	SNAP RING	1		
4	H129749	LOCK	1		
5	AH124940	LEVER	1		
6	122SE	SPRING	1		
7	H119007	SCREW	1		
8	H128557	RETAINER	1		
9	H128536	BASE	1		
10	H77739	WASHER	2		
11	H144184	SHAFT	1		
12	H168989	ARM	1		(SUB FOR H143891)
13	14M7152	NUT	1		M10
14	H168961	LOCK NUT	1		M6
15	AH115487	BALL JOINT	1		
16	AH138048	CABLE	1		
17	H151161	CONNECTOR	1		CONNECTS TO HYDRO HANDLE SWITCHES (9-PIN)
18	H95368	SPRING	1		

2B10

POWER TRAIN

HYDROSTATIC DRIVE CONTROL CABLE
HP4740 -UN-01JAN94



HP4740

2B11

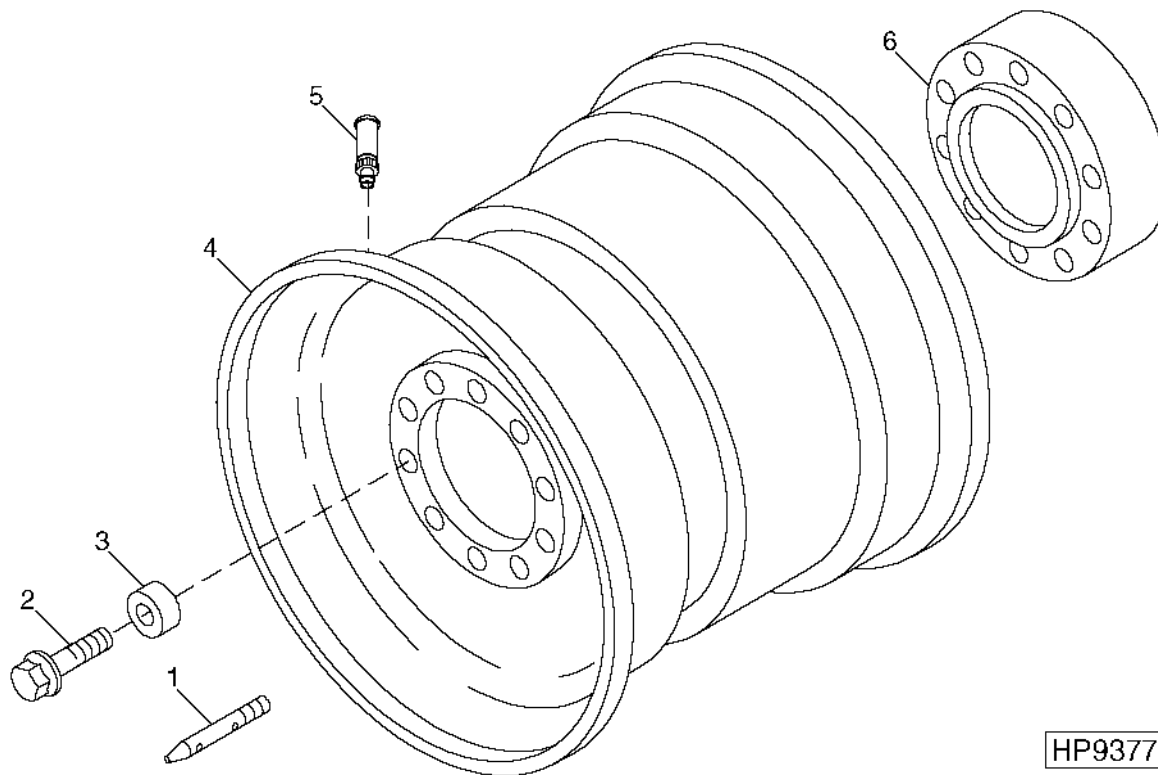
POWER TRAIN

HYDROSTATIC DRIVE CONTROL CABLE - CONTINUED

KEY	PART NO.	PART NAME	QTY	SERIAL NO.	REMARKS
1	14M7272	NUT	2	M6	
2	14M7260	NUT	5	M16	
3	24M7241	WASHER	5	17 X 34 X 4 MM	
4	AH138048	CABLE	1		
5	H143445	BOOT	1		
6	37M7131	SCREW	4	M6 X 20	
7	H126124	CLAMP	2		
8	H126123	GASKET	1		
9	19M7868	SCREW	1	M8 X 30	
10	AH80916	CLIP	3		
11	AH136362	SUPPORT	1		
12	14M7298	FLANGE NUT	1	M8	
13	37M7058	SCREW	1	M8 X 20	
14	19M7867	SCREW	2	M8 X 25	
15	14M7303	FLANGE NUT	1	M6	
16	H168988	LEVER	1	(SUB FOR H126583)	
17	AH106933	BALL JOINT	2		
18	H142044	SUPPORT	1		

2B12

DRIVE WHEELS
HP9377 -UN-01DEC99



KEY	PART NO.	PART NAME	QTY	SERIAL NO.	REMARKS
1	H138607	STUD	2		USE FOR WHEEL MOUNTING ONLY
2	H134600	CAP SCREW	20		
	H138606	CAP SCREW	20		USE WITH H162719 ONLY
3	H134114	SPACER	20		
4	AH141302	WHEEL	2		(32XDW21, 16MM INSET) (REGULAR DUTY FINAL DRIVE) (SUB AH166910)
	AH166910	WHEEL	2		(32XDW21, 12" BC) (REGULAR DUTY FINAL DRIVE)
	AH156626	WHEEL	2		(32XDW27, 12" BC) (REGULAR DUTY FINAL DRIVE) (SUB FOR AH133844)
	AH154848	WHEEL	2		(32XDW27, 335 BC) (HEAVY DUTY FINAL DRIVE)
5	AT25226	TIRE VALVE STEM	2		
6	H162719	BUSHING	2		
..	H134442	LABEL	2		"IMPORTANT" WHEEL BOLT TORQUE
..	H140709	LABEL	2		"IMPORTANT" 26 PSI (182 KPA) (30.5L X 32-12 PLY TIRES)
..	H116639	DECAL	2	-680110	"IMPORTANT" 32 PSI (225 KPA)(30.5L X 32-14PLY TIRES)
..	H108604	LABEL	2		"IMPORTANT" 20PSI (140KPA) 30.5L X 32-10 OR 35.5L X 32-12 TIRES
..	H116640	LABEL	2		"IMPORTANT" 32 PSI (225 KPA) (24.5 X 32-12 PLY) (GRAIN)
..	H111541	LABEL	2	680111-	

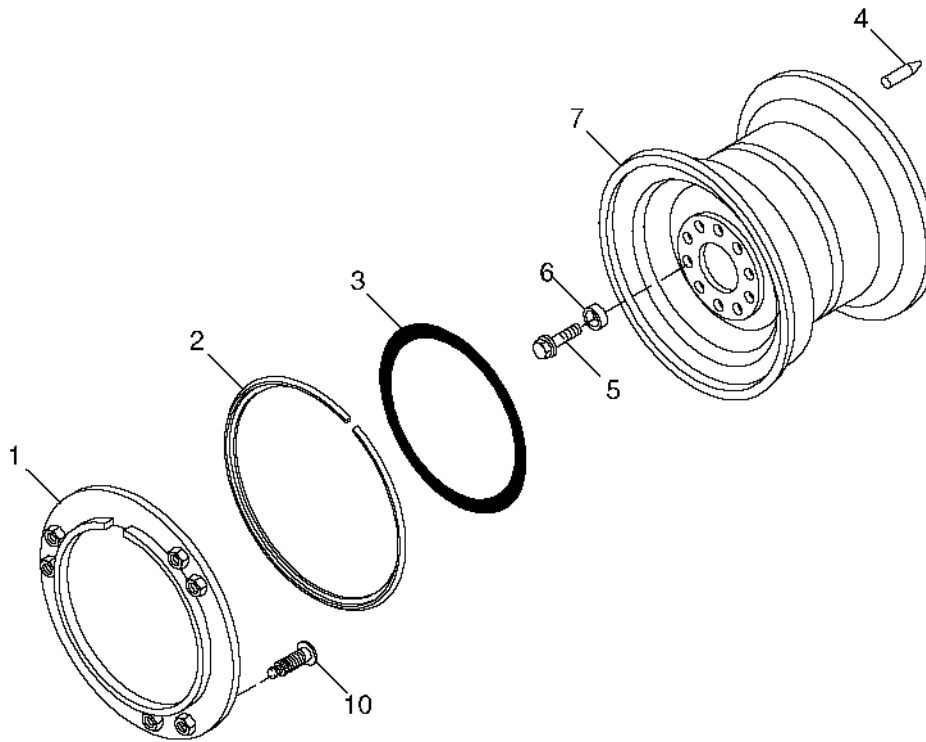
2B13

POWER TRAIN

HIGH FLOATION DRIVE WHEELS

PLANETARY FINAL DRIVE

HP9718 -UN-18APR00

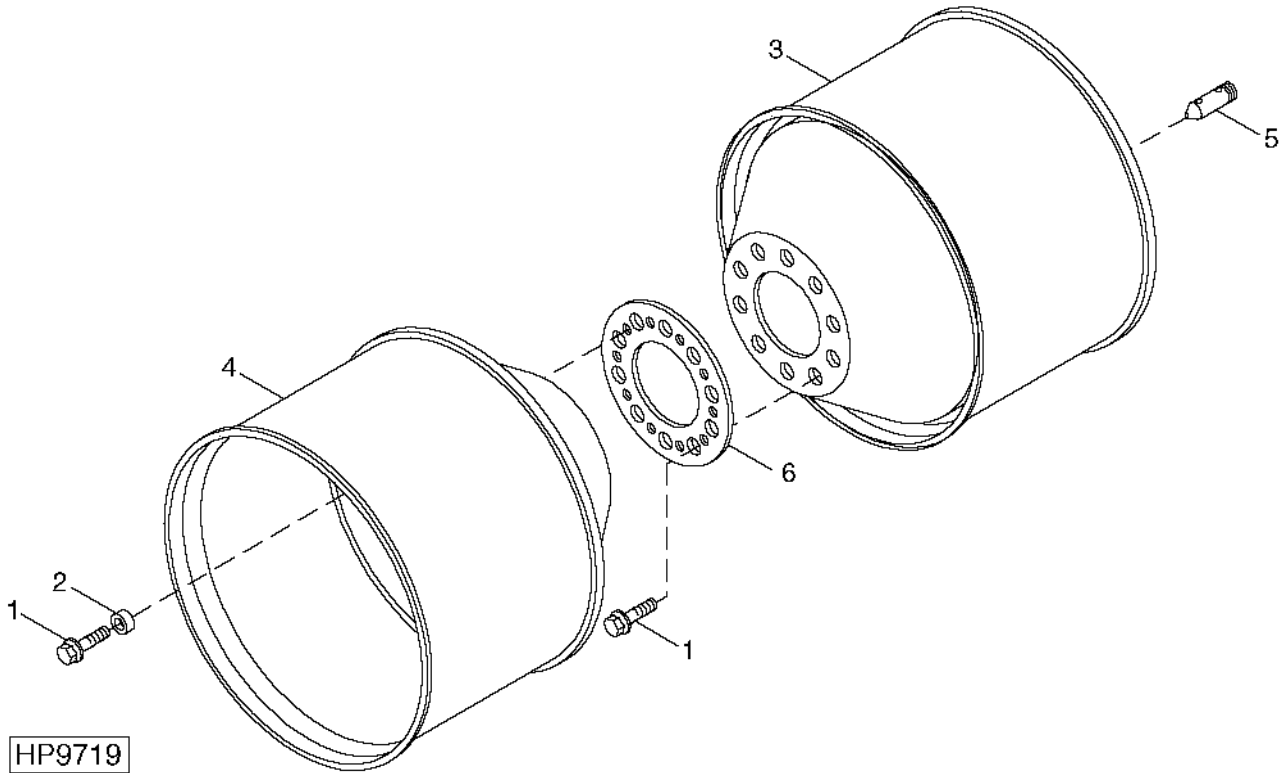


HP9718

KEY	PART NO.	PART NAME	QTY	SERIAL NO.	REMARKS
1	AH147544	FLANGE	2		
2	H105822	RING	2		
3	H111500	O-RING	2		
4	H138607	STUD	2		
5	H134600	CAP SCREW	20		
6	H134114	SPACER	20		
7	AH147545	WHEEL	2	(32X44) (REGULAR DUTY FINAL DRIVE)	
	AH147546	WHEEL	2	(32X44) (HEAVY DUTY FINAL DRIVE)	
8	AT36212	TIRE VALVE STEM	2		
..	H150646	DECAL	2	68 X 50 - 32, 16 PLY TIRES	
..	BH81146	COMPLETE GOODS/SHIP. BUNDLE	1	L.H. TIRE/WHEEL 68X50-32 16P	
..	BH81147	COMPLETE GOODS/SHIP. BUNDLE	1	R.H. TIRE/WHEEL 68X50-32 16P	
..	BH81375	COMPLETE GOODS/SHIP. BUNDLE	1	WHEEL BOLTS - HIGH FLOTATION	
..	BH81148	COMPLETE GOODS/SHIP. BUNDLE	1	L.H. TIRE/WHEEL 68X50-32 16P	
..	BH81149	COMPLETE GOODS/SHIP. BUNDLE	1	R.H. TIRE/WHEEL 68X50-32 16P	

2B14

WIDE-SPACED DUAL WHEELS
HP9719 -UN-18APR00



HP9719

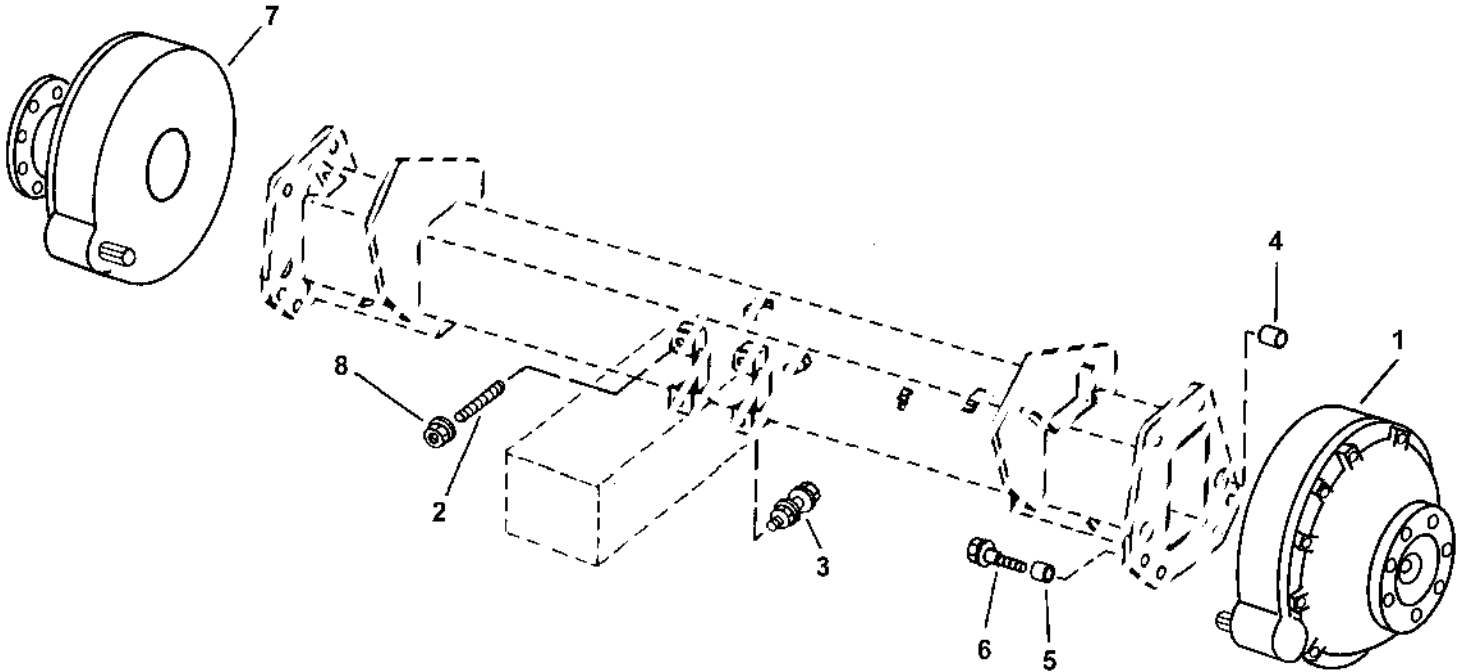
KEY	PART NO.	PART NAME	QTY	SERIAL NO.	REMARKS
1	H134600	CAP SCREW	20		
2	H134114	SPACER	10		
3	AH130627	WHEEL	2		(38 W16L) (REGULAR DUTY FINAL DRIVE)
	AH130626	WHEEL	2		(42 DDWL 16") (HEAVY DUTY FINAL DRIVE)
	AH140253	WHEEL	2		(38-WH18A) (REGULAR DUTY FINAL DRIVE)
	AH145348	WHEEL	2		(42XDDWL18) (HEAVY DUTY FINAL DRIVE)
4	AH150343	WHEEL	2		(38XWH16) (REGULAR DUTY FINAL DRIVE)
	AH150345	WHEEL	2		(42XDD16) (HEAVY DUTY FINAL DRIVE)
	AH150344	WHEEL	2		(38XWH18A) (REGULAR DUTY FINAL DRIVE)
	AH150346	WHEEL	2		(42XDD18) (HEAVY DUTY FINAL DRIVE)
5	H138607	STUD	2		USE FOR WHEEL MOUNTING ONLY
6	N276699	SPACER	2		REGULAR DUTY FINAL DRIVE
	H157698	SPACER	2		HEAVY DUTY FINAL DRIVE
..	H122573	DECAL	2		"CAUTION" REMOVING DUAL WHEELS
..	H134442	LABEL	2		"IMPORTANT" WHEEL BOLT TORQUE
..	H108605	LABEL	2		"IMPORTANT" 165KPA (24 PSI)
..	H111538	LABEL	2		"IMPORTANT" 152KPA (22 PSI)
..	BH81485	COMPLETE GOODS/SHIP. BUNDLE	2		WHEEL BOLTS - INNER DUALS
..	BH81751	COMPLETE GOODS/SHIP. BUNDLE	1		L.H. INNER TIRE/WHEEL 18.4R38 R1
..	BH81752	COMPLETE GOODS/SHIP. BUNDLE	1		R.H. INNER TIRE/WHEEL 18.4R38 R1
..	BH81376	COMPLETE GOODS/SHIP. BUNDLE	2		WHEEL BOLTS - DUAL WHEELS
..	BH81749	COMPLETE GOODS/SHIP. BUNDLE	1		L.H. OUTER TIRE/WHEEL 18.4R38 R1
..	BH81750	COMPLETE GOODS/SHIP. BUNDLE	1		R.H. OUTER TIRE/WHEEL 18.4R38 R1
..	BH81209	COMPLETE GOODS/SHIP. BUNDLE	1		L.H. OUTER TIRE/WHEEL 20.8R38 R1
..	BH81210	COMPLETE GOODS/SHIP. BUNDLE	1		R.H. OUTER TIRE/WHEEL 20.8R38 R1
..	BH81238	COMPLETE GOODS/SHIP. BUNDLE	1		L.H. TIRE/WHEEL 20.8X38 R1
..	BH81239	COMPLETE GOODS/SHIP. BUNDLE	1		R.H. TIRE/WHEEL 20.8X38 R1
..	BH81211	COMPLETE GOODS/SHIP. BUNDLE	1		L.H. OUTER TIRE/WHEEL 20.8R38 R2
..	BH81212	COMPLETE GOODS/SHIP. BUNDLE	1		R.H. OUTER TIRE/WHEEL 20.8R38 R2
..	BH81240	COMPLETE GOODS/SHIP. BUNDLE	1		R.H. TIRE/WHEEL 20.8X38 R2
..	BH81241	COMPLETE GOODS/SHIP. BUNDLE	1		L.H. TIRE/WHEEL 20.8X38 R2
..	BH81217	COMPLETE GOODS/SHIP. BUNDLE	1		L.H. TIRE/WHEEL 18.4R42 R1
..	BH81218	COMPLETE GOODS/SHIP. BUNDLE	1		R.H. TIRE/WHEEL 18.4R42 R1
..	BH81236	COMPLETE GOODS/SHIP. BUNDLE	1		L.H. OUTER TIRE/WHEEL 20.8R42 R1
..	BH81237	COMPLETE GOODS/SHIP. BUNDLE	1		R.H. OUTER TIRE/WHEEL 20.8R42 R1
..	BH81242	COMPLETE GOODS/SHIP. BUNDLE	1		L.H. TIRE/WHEEL 20.8X42
..	BH81243	COMPLETE GOODS/SHIP. BUNDLE	1		R.H. TIRE/WHEEL 20.8X42

2B15

POWER TRAIN

**FRONT AXLE
(RING AND PINION FINAL DRIVE)**

HP7215 -UN-28OCT97

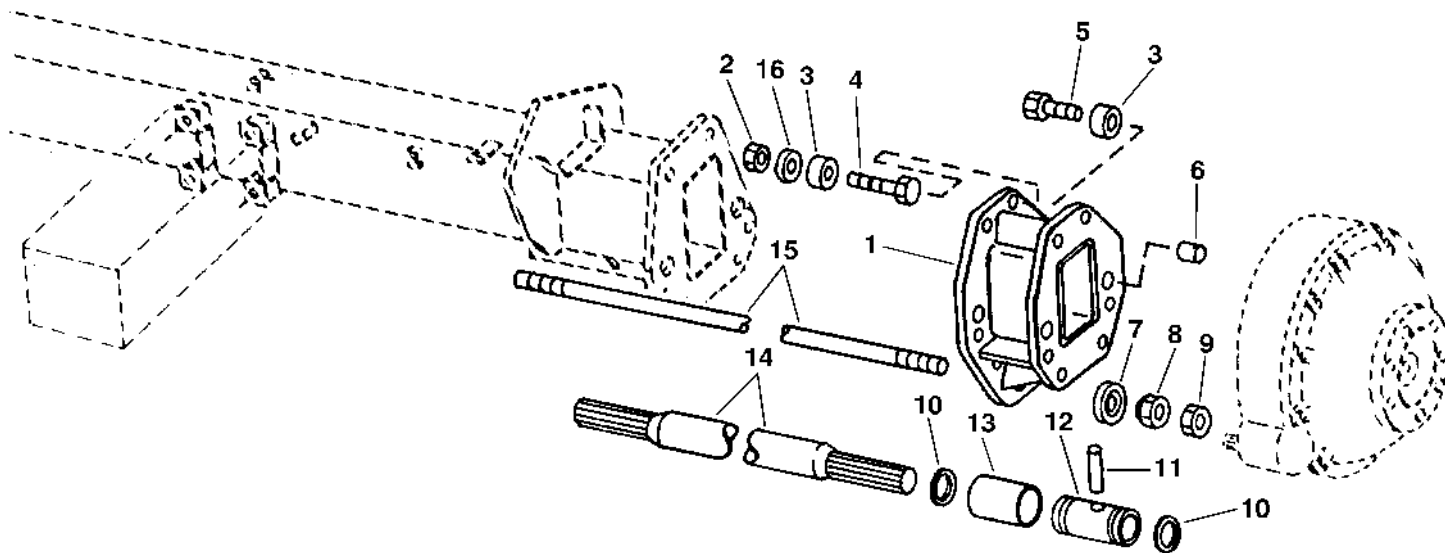


HP7215

KEY	PART NO.	PART NAME	QTY	SERIAL NO.	REMARKS
1	AH155003	GEAR	1		R.H. HEAVY DUTY
2	42M7028	STUD	2		M16 X 75
3	H107504	BOLT	2		
	14M7291	FLANGE NUT	2		M16 FLANGE
4	H87691	BUSHING	4		
5	H156127	SLEEVE	12		HARDENED
	H163561	SPACER	12		
6	19M7892	CAP SCREW	12		M20 X 80
	19M8287	CAP SCREW	12		M24 X 80, USED WITH SLEEVE H163561
7	AH155004	GEAR	1		L.H. HEAVY DUTY
8	14M7291	FLANGE NUT	2		M16 FLANGE

2B16

**AXLE SPACERS
(RING AND PINION FINAL DRIVE)**
HP7165 -UN-13OCT97



HP7165

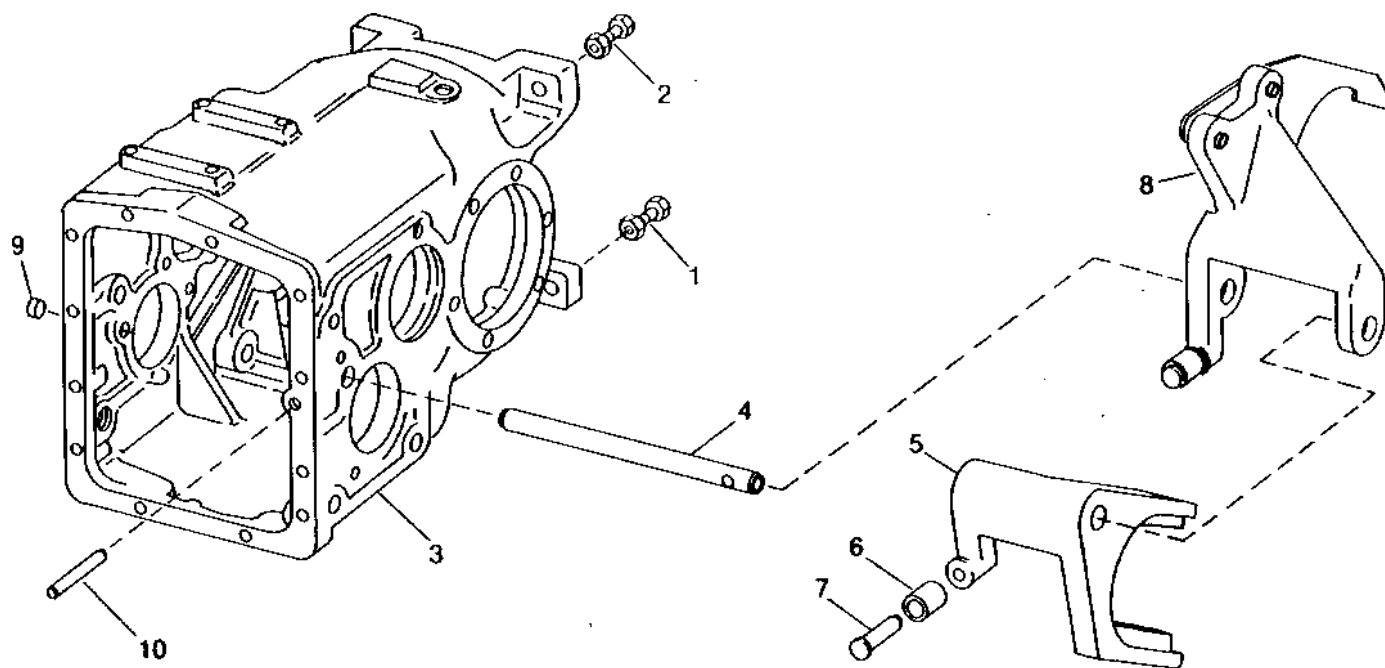
KEY	PART NO.	PART NAME	QTY	SERIAL NO.	REMARKS
1	AH142139	EXTENSION	2		400 MM (16") (SUB H168166)
	AH142158	EXTENSION	2		300 MM (12") (SUB H168744) 68 X 50-32, 16 PLY TIRES
	H168166	SPACER	2		16"(400 MM)
	H168744	SPACER	2		12"(300 MM)
2	14M7300	FLANGE NUT	12	-675463	M20
	14M7278	NUT	12	675464-	M24
3	H156127	SLEEVE	24		HARDENED
4	19M7963	CAP SCREW	12	-675463	M20 X 100
	19M8288	CAP SCREW	12	675464-	
5	19M8197	CAP SCREW	12		M10 X 85
6	H87691	BUSHING	8		
7	H130287	SPACER	2		
8	H130288	NUT	2		
9	14M7431	NUT	2		M30
10	H133229	SNAP RING	4		
	H131754	PIN	2		
	H165510	SPLINED COUPLING	2		(SUB FOR H133230)
13	H134444	SLEEVE	2		
14	H165663	SHAFT	2		400 MM, (SUB FOR H133246)
	H165662	SHAFT	2		300 MM, (SUB FOR H133244)
15	H144998	ROD	1		
16	24M7243	WASHER	12	676464-	25,400 X 50 X 6 MM
..	BH81704	COMPLETE GOODS/SHIP. BUNDLE	2		(400 MM) AXLE SPACER
..	BH81705	COMPLETE GOODS/SHIP. BUNDLE	2		(300 MM) AXLE SPACER

2B17

POWER TRAIN

TRANSMISSION AND DIFFERENTIAL HOUSING AND SHIFTER FORKS

HP3103 -UN-01JAN94

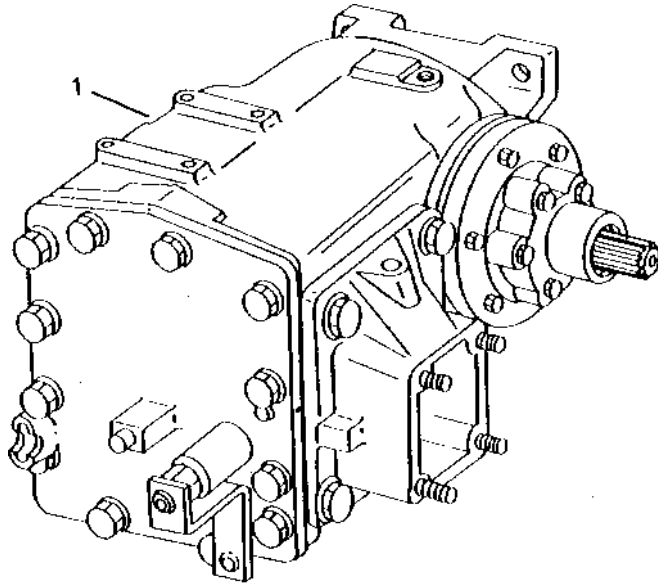


HP3103

KEY	PART NO.	PART NAME	QTY	SERIAL NO.	REMARKS
1	H107504	BOLT	2		
2	42M7028	STUD	2		
	14M7291	FLANGE NUT	2		M16
3	HOUSING	1		(ORDER AH140410)
4	H146640	RAIL	1		
5	H135112	SHIFTER	1		
6	R26207	ROLLER	2		
7	H76152	PIN	2		
8	AH122575	SHIFTER	1		
9	N102039	CAP	1		
10	T76836	PIN	1		
	14M7291	FLANGE NUT	2		M16
..	AH140410	KIT	1		TRANSMISSION REPAIR KIT
..	TY9371	ADHESIVE	1		6 ML (0.2 OZ) TUBE, HIGH STRENGTH
..	TY6304	SEALANT	1		170 ML (6 OZ) SPRAY CAN, CLEAN AND CURE

2B18

TRANSMISSION
HP5722 -UN-01JAN94



HP5722

KEY	PART NO.	PART NAME	QTY	SERIAL NO.	REMARKS
1	AH157698	TRANSMISSION	1	675464-	7 MPH (SERVICE ONLY)
	AH157699	TRANSMISSION	1	675464-	10 MPH (SERVICE ONLY)
	AH157700	TRANSMISSION	1	675464-	20 KPH (SERVICE ONLY)

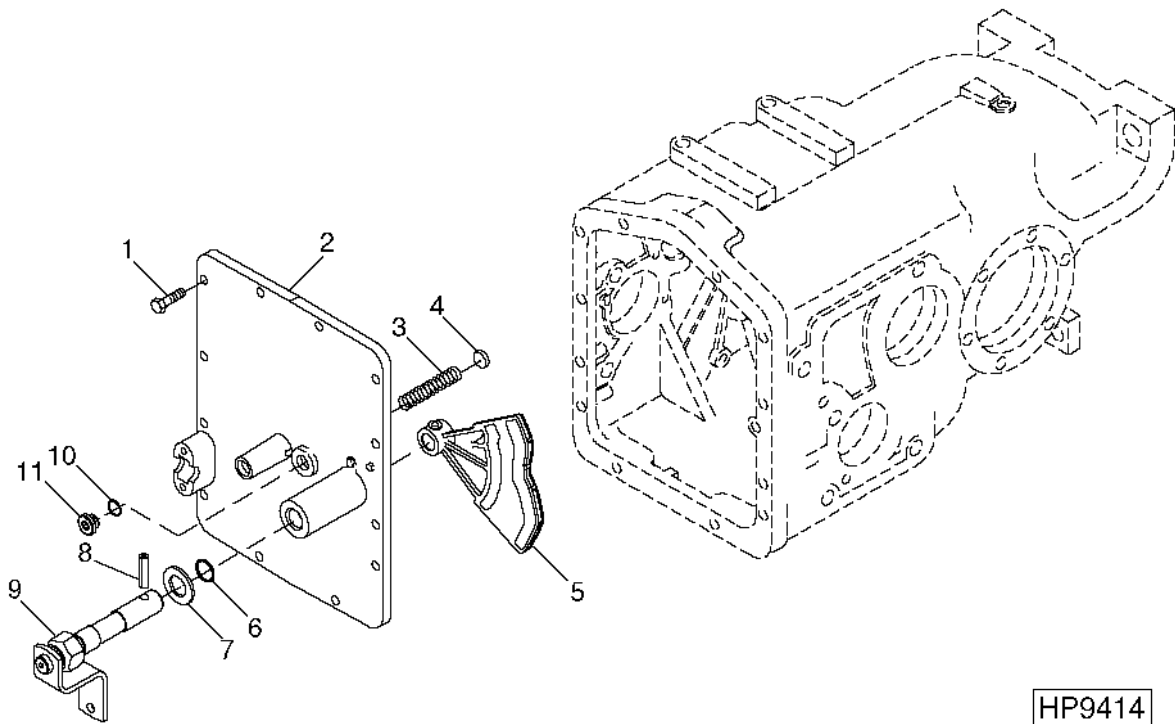
NOTE: DOES NOT INCLUDE BRAKES, BRAKESHAFTS, BRAKELINES, SPEED PICKUP AND BREATHER

2B19

POWER TRAIN

TRANSMISSION AND DIFFERENTIAL HOUSING COVER, AND SHIFTER CAM

HP9414 -UN-06JAN00



HP9414

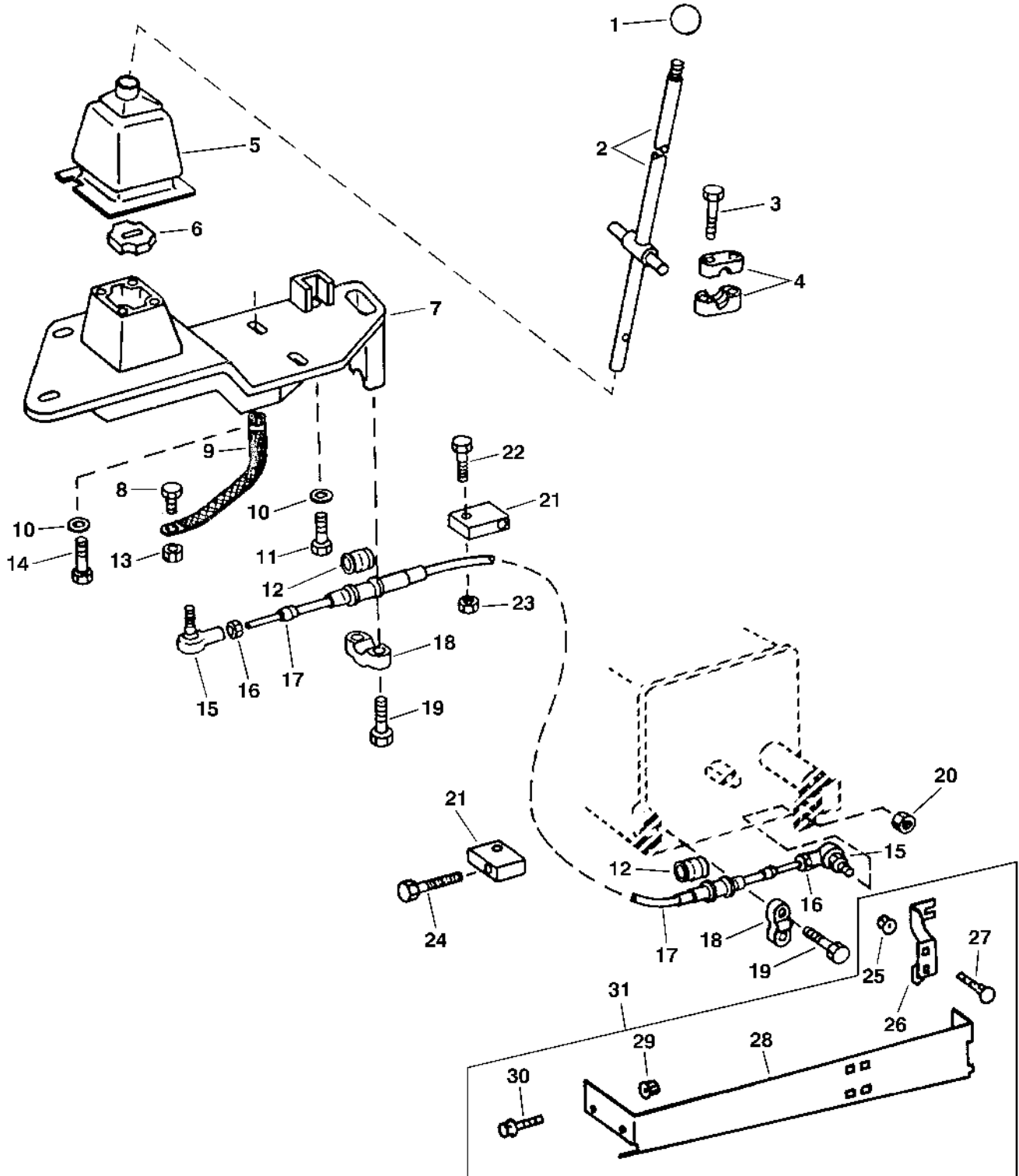
KEY	PART NO.	PART NAME	QTY	SERIAL NO.	REMARKS
1	19M7786	SCREW	12	M10 X 30	
2	N199920	COVER	1		
3	T27888	SPRING	1		
4	R1818R	BALL	1	19.050 MM (3/4")	
5	H136145	CAM	1	WITH H137333 CAM ONLY, (SUB H167375)	
	H167375	CAM	1		
6	R71144	O-RING	1	20.295 X 2.616 MM (0.799" X 0.103")	
7	H75700	WASHER	1	25.806 X 44.298 X 3.404 MM (1-1/64" X 1.744" X 0.134")	
8	34M7053	SPRING PIN	1		
9	AH128267	ARM	1		
10	R26375	O-RING	1	16.358 X 2.210 MM (0.644" X 0.087")	
11	R33138	FITTING	1		

2B20

POWER TRAIN

GEARSHIFT LEVER AND LINKAGE

HP7169 -UN-03OCT97



HP7169

2B21

POWER TRAIN

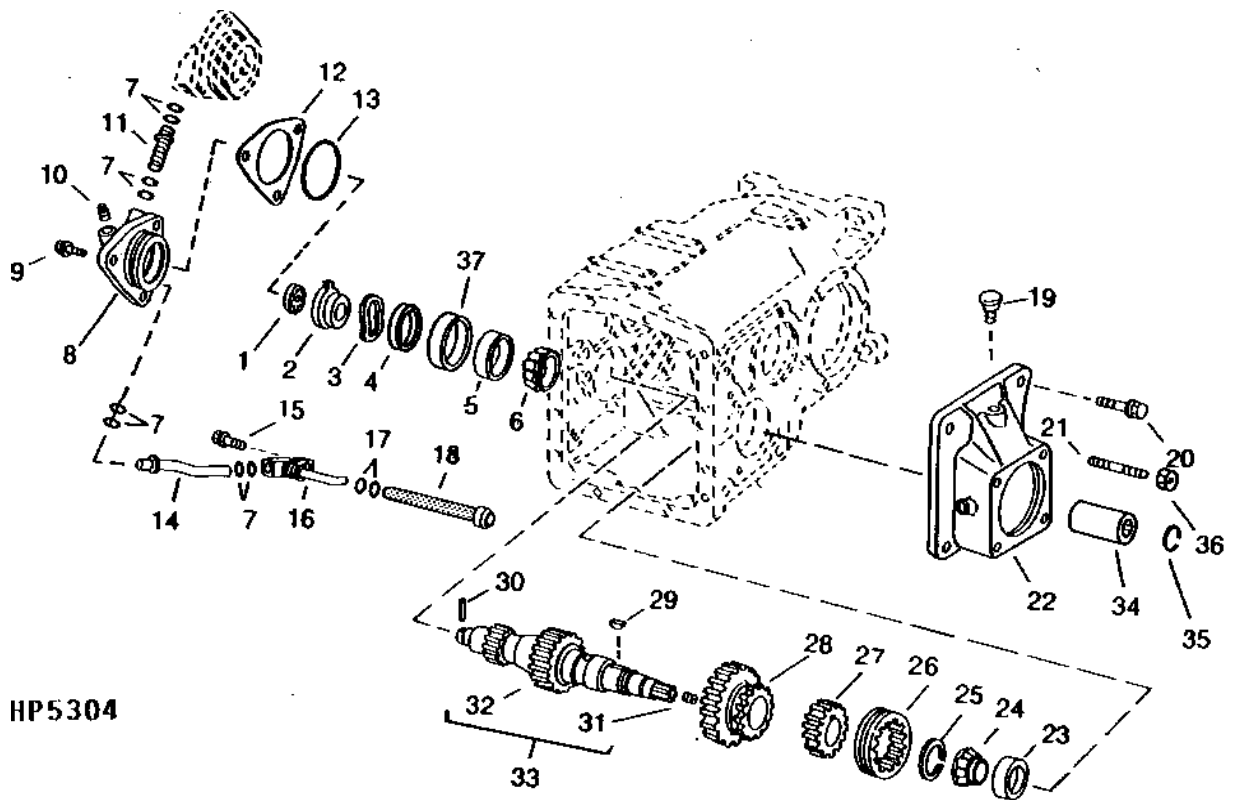
GEARSHIFT LEVER AND LINKAGE - CONTINUED

KEY	PART NO.	PART NAME	QTY	SERIAL NO.	REMARKS
1	H125518	KNOB	1		USE T43514 OR TY9478 OR TY9371 TO SECURE INCLUDES DECAL ON ROD M8 X 45, ORDER AH125785
2	AH138707	ROD	1		
3	19M8318	SCREW	4		
4	H131040	BEARING	4		
5	H131041	BOOT	1		
6	H133660	SEAL	1		
7	H133636	HOUSING	1		
8	19M7788	SCREW	1	M12 X 25	
9	AH125010	GROUND CABLE	1		
10	24H1296	WASHER	5	11/32" X 1-3/8" X 0.134"	
11	19M8319	SCREW	1	M8 X 50	
12	H133662	ISOLATOR	2		
13	14M7299	FLANGE NUT	1	M12	
14	19M7867	SCREW	4	M8 X 25	
15	AH125958	BALL JOINT	2		
16	14M7274	NUT	2	M10	
17	AH128357	CABLE	1		
18	H133047	CLAMP	2		
19	19M8291	SCREW	4	M8 X 35	
20	14M7296	FLANGE NUT	1	M10	
21	AH77724	CLIP	3		
22	19M7799	SCREW	1	M8 X 45	
23	14M7298	FLANGE NUT	1	M8	
24	37M7149	SCREW	3	M8 X 50	
25	14M7400	LOCK NUT	2	M10	
26	SUPPORT	1	(SUB AH138329)	
27	03M7190	BOLT	2	M10 X 20	
28	GUARD	1	(SUB AH138329)	
29	14M7401	LOCK NUT	1	M12	
30	19M7788	SCREW	1	M12 X 25	
31	AH138329	KIT	1		
..	AH138328	KIT	1		
..	TY9370	ADHESIVE	1	6 OZ. MEDIUM STRENGTH (CANADA NUMBER TY9477)	
..	T43514	GASKET	1	(SUB T43514)	
..	TY9478	ADHESIVE	1		
..	TY9371	ADHESIVE	1	6 ML HIGH STRENGTH	

2B22

TRANSMISSION INPUT SHAFT, GEARS, LUBE PUMP AND BEARINGS

HP5304 -UN-01JAN94



HP5304

2B23

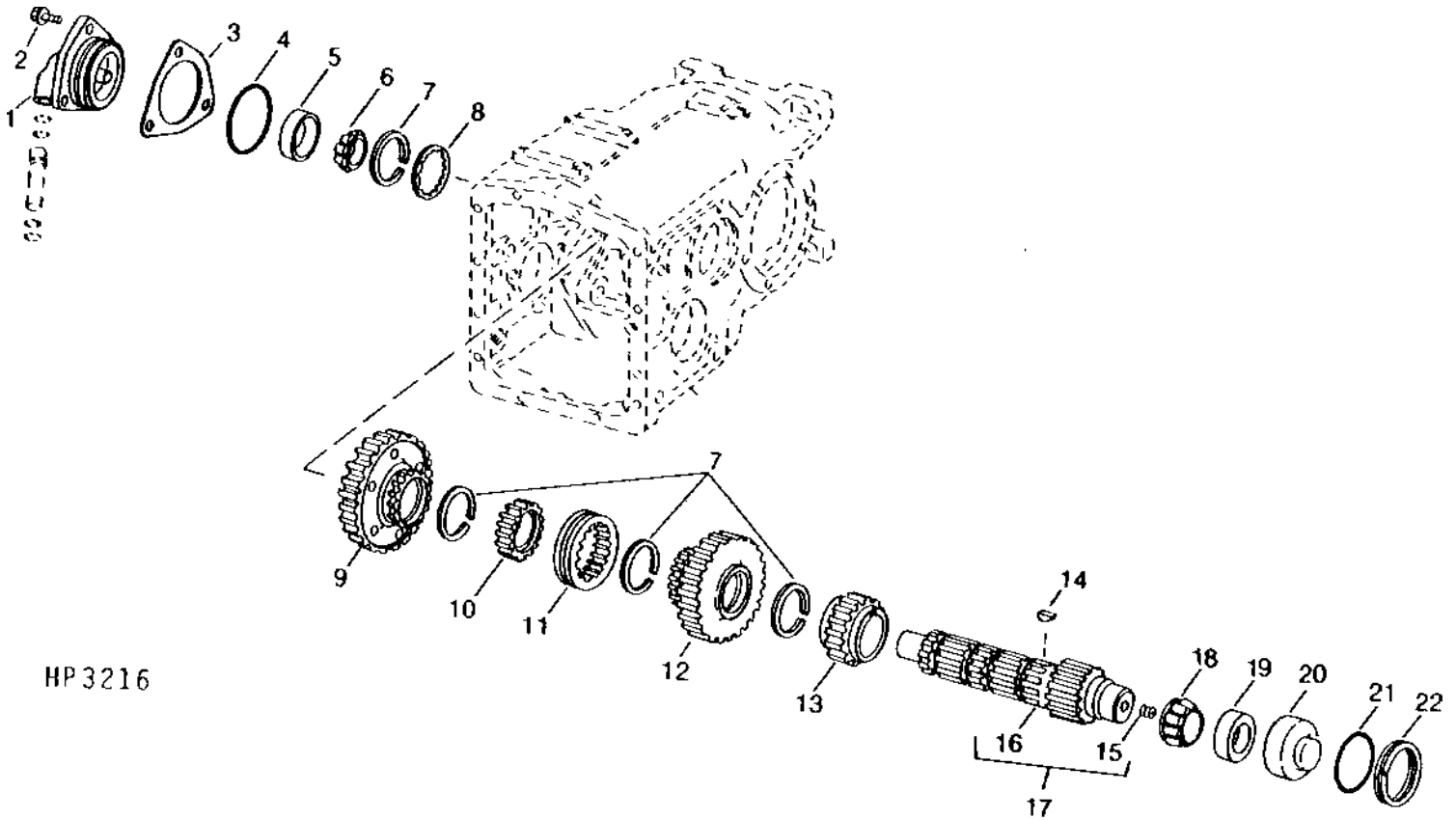
TRANSMISSION INPUT SHAFT, GEARS, LUBE PUMP AND BEARINGS - CONTINUED

KEY	PART NO.	PART NAME	QTY	SERIAL NO.	REMARKS
1	AH128528	ROTOR	1		
2	H82234	PLATE	1		LUBE PUMP PORT
3	H82232	WASHER	1		54.610 X 63.119 X 0.889 MM (2.150" X 2.485" X 0.035") (WAVE TYPE)
4	H82233	BUSHING	1		
5	JD8257	BEARING CUP	1		
6	AR94761	BEARING CONE	1		
7	R394R	O-RING	8		
8	H142030	HOUSING	1		
9	19M7786	SCREW	3		M10 X 30
10	15H638	PIPE PLUG	1		
11	H131296	OIL TUBE	1		
12	H132892	SHIM	AR		0.076 (.003) THICK
	H132893	SHIM	AR		0.127 (.005") THICK
	H132894	SHIM	AR		0.508 (.02") THICK
13	T43514	GASKET	1		
14	H131297	OIL TUBE	1		HYDRO MOTOR MOUNTING BRACKET
15	19M8162	CAP SCREW	1		M10 X 40
16	AH125228	FITTING	1		
17	R495R	O-RING	2		
18	AH121580	SCREEN	1		
19	AH20868	BREATHER	1		
20	19M7844	SCREW	4		M16 X 45
21	42M7029	STUD	4		
22	H133165	BRACKET	1		
23	JD8237	BEARING CUP	1		
24	JD10182	BEARING CONE	1		
25	P43969	SNAP RING	1		
26	H129564	SHIFT COLLAR	1		
27	H129565	SHIFT COLLAR	1		THIRD GEAR
28	H135943	GEAR	1		36 TOOTH, FOR 3RD GEAR
29	26M4228	SHAFT KEY	1		8 X 28 MM (0.315" X 1.102") WOODRUFF
30	H75358	DOWEL PIN	1		
31	H110539	ORIFICE	1		
32	SHAFT	1		
33	AH131861	PINION SHAFT	1		
34	H129525	SPLINED COUPLING	1		
35	M41029	SNAP RING	2		
36	14M7299	FLANGE NUT	4		M12
37	H142031	SLEEVE	1		
..	TY9371	ADHESIVE	1		HIGH STRENGTH 6 ML (0.2 OZ) TUBE
..	TY6304	SEALANT	1		

2B24

TRANSMISSION PINION SHAFT, GEARS AND BEARINGS

HP3216 -UN-01JAN94



HP3216

2B25

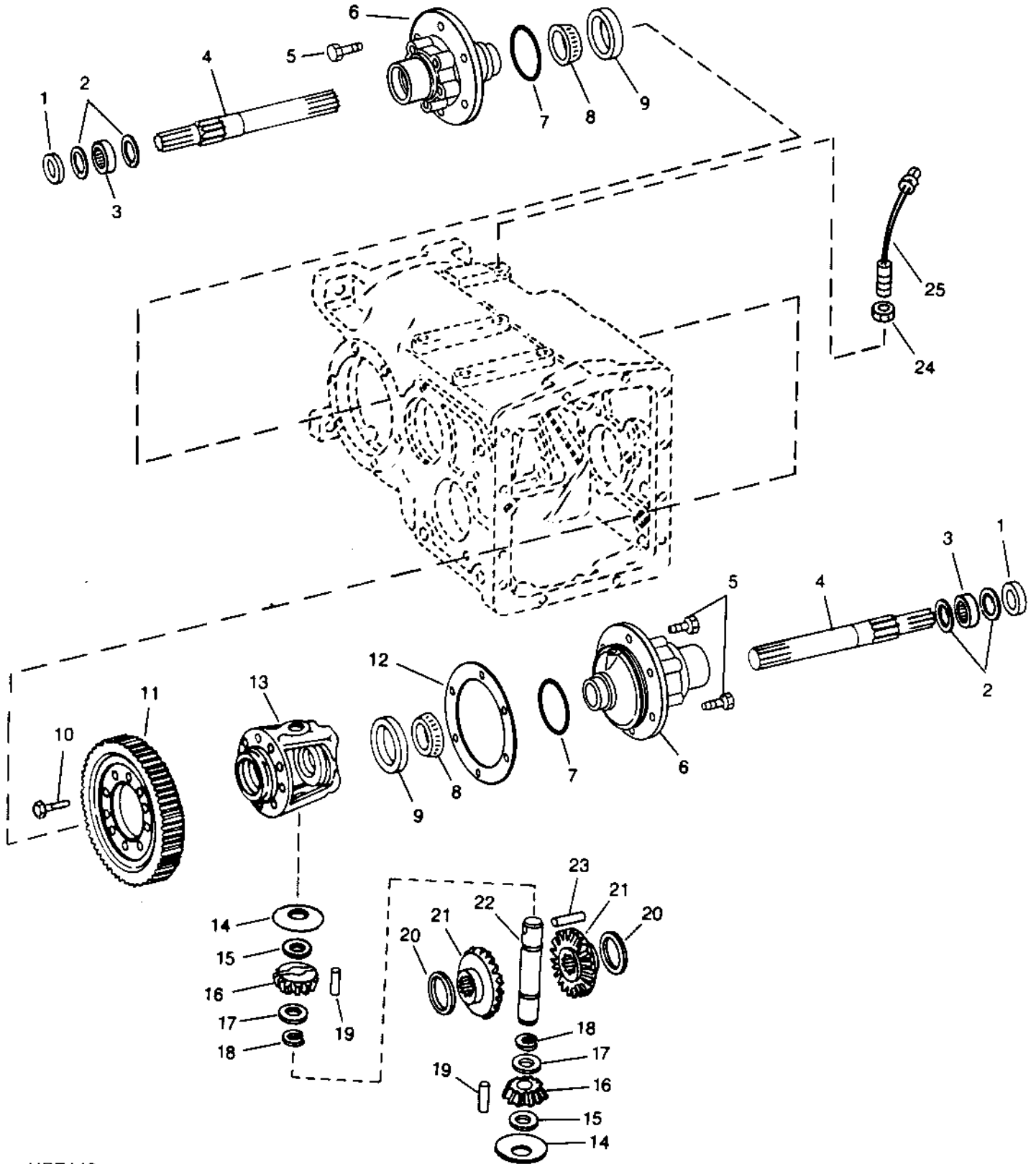
TRANSMISSION PINION SHAFT, GEARS AND BEARINGS - CONTINUED

KEY	PART NO.	PART NAME	QTY	SERIAL NO.	REMARKS
1	H145173	PLANET PINION CARRIER	1	-12JA98	
	CE18201	PLANET PINION CARRIER	1	13JA98-	
2	19M7786	SCREW	3		M10 X 30
3	H132892	SHIM	AR		0.076MM (.003") THICK
	H132893	SHIM	AR		0.127 (.005") THICK
	H132894	SHIM	AR		0.508 (.02") THICK
4	U10776	O-RING	1		
5	JD8267	BEARING CUP	1		
6	JD8979	BEARING	1		
7	R26265	SNAP RING	4		
8	H103167	WASHER	1		
9	H135944	GEAR	1		(43 TOOTH), FOR 1ST GEAR
	H135942	GEAR	1	675464-	(32 TOOTH)
	H143408	GEAR	1	675464-	(29 TOOTH)
10	H133010	SHIFT COLLAR	1		(DRIVE)
11	H129564	SHIFT COLLAR	1		
12	H135942	GEAR	1		
	H143408	GEAR	1		EXPORT ONLY- AUSTRALIA & ITALY W/TRACKS
13	H132618	GEAR	1		(24 TOOTH), FOR 3RD GEAR
14	26M4228	SHAFT KEY	1		8 X 28 MM (0.315" X 1.102") WOODRUFF
15	H110539	ORIFICE	1		
16	PINION	1		
17	AH131862	PINION SHAFT	1	-XXXXXX	(12 TOOTH)
	CE18223	PINION	1	XXXXXX-	(13 TOOTH)
18	JD8182	BEARING CONE	1		
19	JD8223	BEARING CUP	1		
20	H144385	BEARING CAP	1		
21	U10746	O-RING	1		
22	H129558	SNAP RING	1		

2C1

DIFFERENTIAL GEARS AND SHAFTS

HP7448 -UN-20FEB98



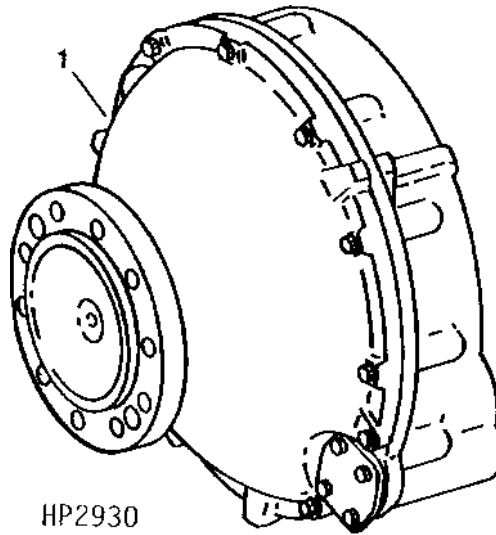
HP7448

DIFFERENTIAL GEARS AND SHAFTS - CONTINUED

KEY	PART NO.	PART NAME	QTY	SERIAL NO.	REMARKS
1	AT40603	SEAL	2		
2	C3936E	SNAP RING	4		
3	JD7502	ROLLER BEARING	2		
4	H135173	SHAFT	2		(SUB H165508) (RING AND PINION) HEAVY DUTY
	H165508	SHAFT	2		(RING AND PINION) STANDARD
5	19M7844	SCREW	12		M16 X 45
6	H130407	CRADLE	2		
7	R27796	O-RING	2		
8	JD8147	BEARING CONE	2		
9	JD7425	BEARING CUP	2		
10	19M7790	SCREW	14	-675463	M12 X 35, (USE WITH CE18224)
	19M7985	SCREW	1	675464-	
11	H132554	GEAR	1	-675463	(62 TOOTH)
	CE18224	GEAR	1	675464-	(60 TOOTH)
12	H126572	SHIM	AR		0.076MM (.003") THICK
	H126573	SHIM	AR		0.127MM (.005") THICK
	H126575	SHIM	AR		0.508 (.02") THICK
13	N197422	HOUSING	1		
14	H133202	THRUST WASHER	2		
15	R70112	THRUST WASHER	2		31.480 X 38 X 2.500 MM (1.239" X 1.496" X 0.098")
16	Z12964	PINION	1		
17	R70113	THRUST WASHER	2		
18	R70114	SNAP RING	2		
19	R70115	NEEDLE ROLLER	52		
20	H164794	WASHER	2		
21	H92308	GEAR	2		
22	H146646	PIN	1		
23	34M7073	SPRING PIN	1		
24	H104418	NUT	1		
25	AH116104	SENSOR	1		GROUND SPEED

FINAL DRIVE (RING AND PINION)

HP2930 -UN-01JAN94



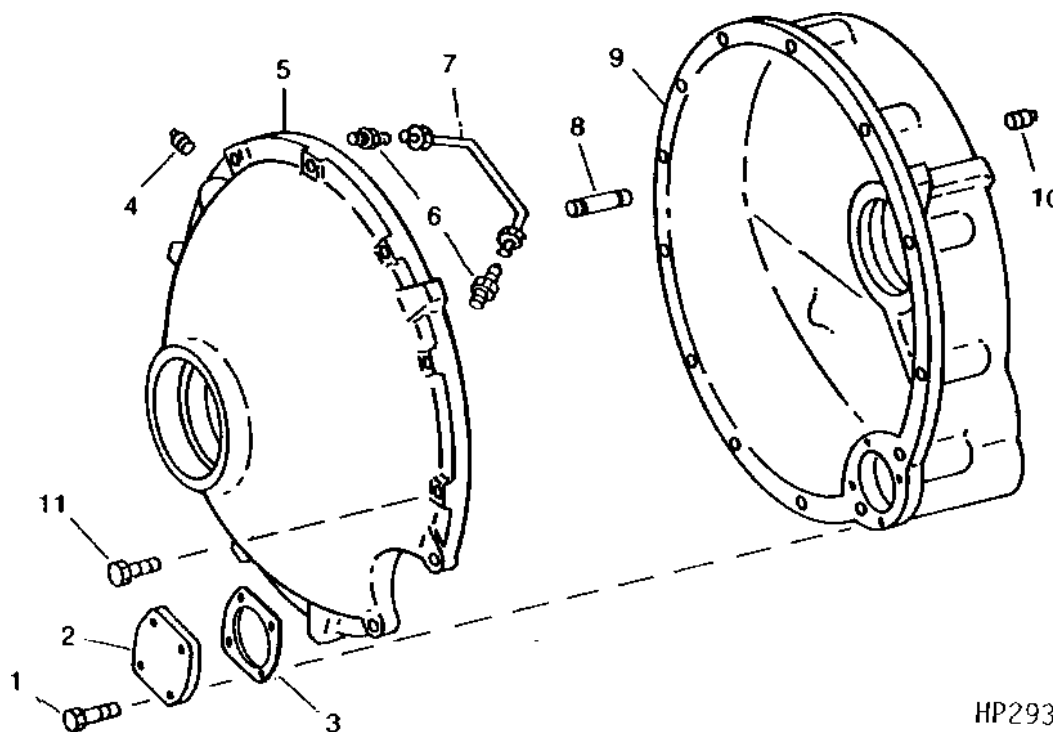
KEY	PART NO.	PART NAME	QTY	SERIAL NO.	REMARKS
1	AH137754	GEAR	1		L.H. (HIGH CLEARANCE)
	AH137755	GEAR	1		R.H. (HIGH CLEARANCE)
	AH149448	GEAR	1		L.H.(GRAIN)
	AH149449	GEAR	1		R.H.(GRAIN)

2C4

POWER TRAIN

FINAL DRIVE HOUSING AND BEARING CAP (RING AND PINION)

HP2931 -UN-01JAN94



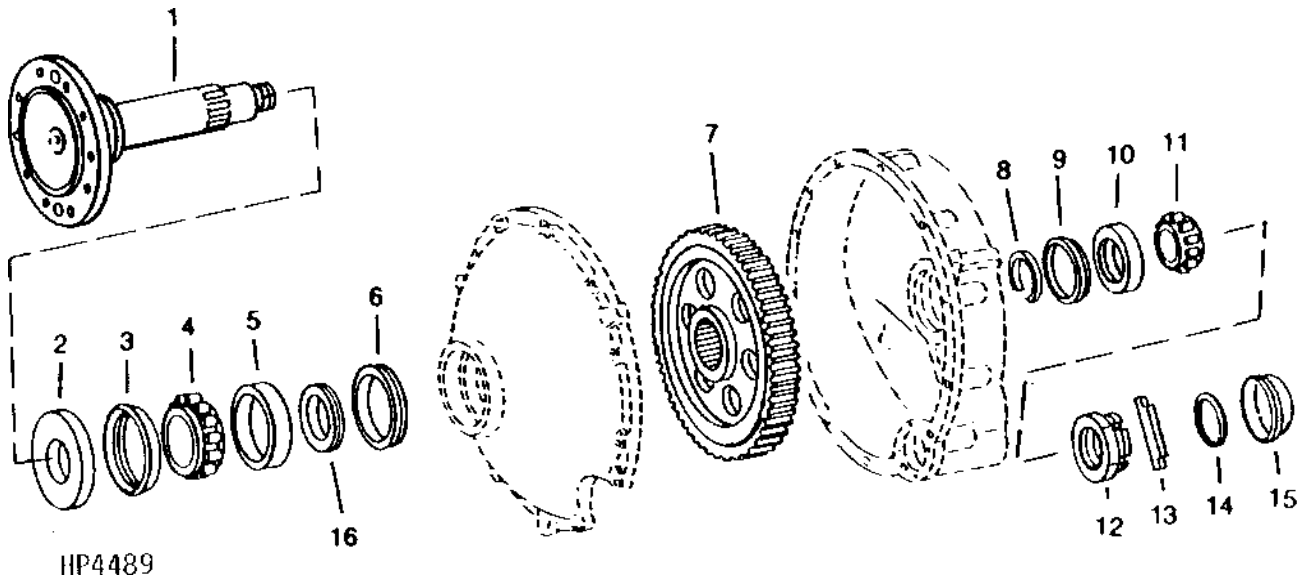
HP2931

KEY	PART NO.	PART NAME	QTY	SERIAL NO.	REMARKS
1	19M7835	SCREW	4	M10 X 35	
2	H133089	CAP	1		
	H161540	CAP	1		(USED ON HEAVY DUTY DRIVE) (AUSTRALIA)
3	H133096	SHIM	AR	0.50 MM (0.020") (STEEL)	
	H133097	SHIM	AR	0.25 MM (0.010") (STEEL)	
	H133098	SHIM	AR	0.13 MM (0.005") (PLASTIC) (BLUE)	
	H161541	SHIM	2		(USED ON HEAVY DUTY DRIVE) (AUSTRALIA)
	H161542	SHIM	1		(USED ON HEAVY DUTY DRIVE) (AUSTRALIA)
	H161543	SHIM	2		(USED ON HEAVY DUTY DRIVE) (AUSTRALIA)
	H163745	SHIM	2		(USED ON HEAVY DUTY DRIVE) (AUSTRALIA)
4	JD7760	LUBRICATION FITTING	1		
5	H133092	HOUSING	1		(OUTER)
	H163694	HOUSING	1		(OUTER) (USED ON HEAVY DUTY DRIVE) (AUSTRALIA)
6	R35352	FITTING	2		
7	AH120736	OIL LINE	1		
	AH156971	LINE	1		(USED ON HEAVY DUTY DRIVE) (AUSTRALIA)
8	R54380	DOWEL PIN	2		
9	H143893	HOUSING	1		(RICE) R.H. (INNER)
	H148286	HOUSING	1		(GRAIN AND ITALY) (R.H.) (INNER)
	H143894	HOUSING	1		(RICE) L.H. (INNER)
	N276475	HOUSING	1		L.H. (INNER) REQUIRES (3) PIPE PLUGS (2) FOR FILL HOLES AND (1) FOR DRAIN HOLE
	H163692	HOUSING	1		R.H. (INNER) (USED ON HEAVY DUTY DRIVE) (AUSTRALIA)
	H163693	HOUSING	1		L.H. (INNER) (USED ON HEAVY DUTY DRIVE) (AUSTRALIA)
	N276474	HOUSING	1		R.H. (INNER) (USED ON HEAVY DUTY DRIVE) (AUSTRALIA)
10	15H584	PIPE PLUG	3		12.700 MM (1/2") (2) IN FILL HOLES AND (1) IN DRAIN HOLE
11	19M7824	SCREW	12	M16 X 60	

NOTE: QUANTITIES SHOWN ARE FOR ONE UNIT. TWO UNITS USED PER MACHINE.

FINAL DRIVE AXLE, GEAR AND BEARINGS (RING AND PINION)

HP4489 -UN-01JAN94



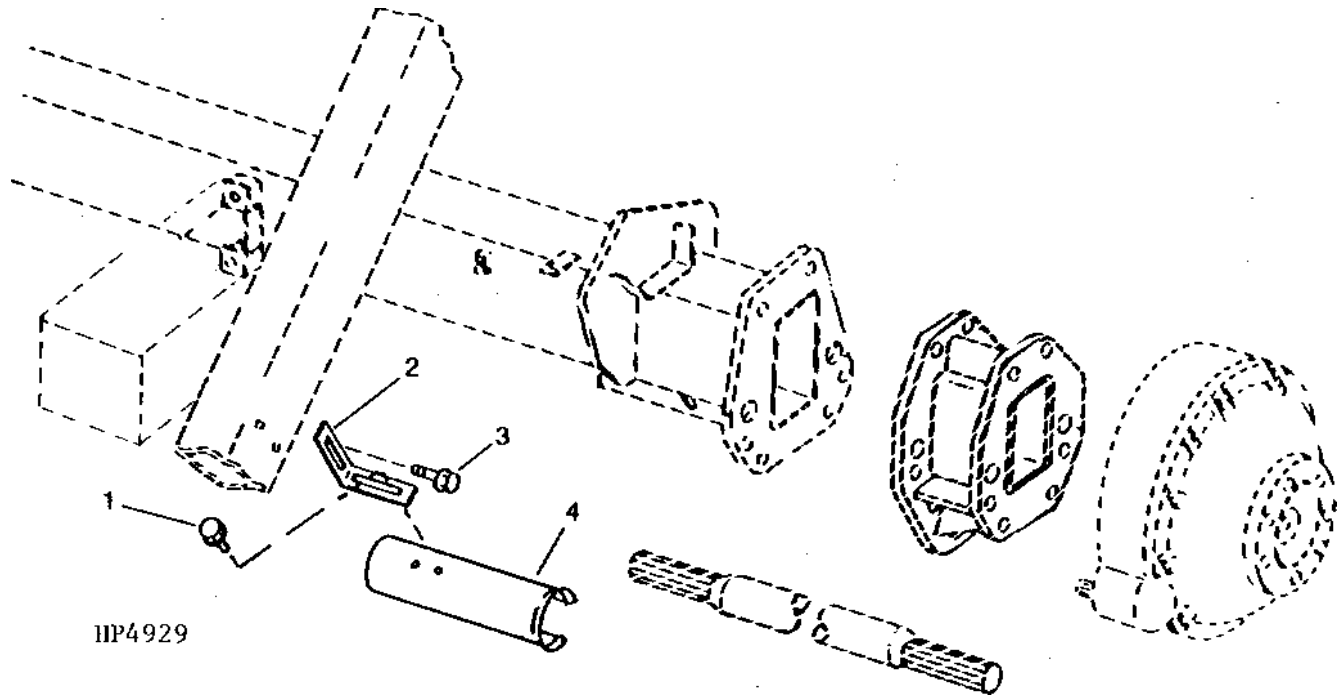
HP4489

KEY	PART NO.	PART NAME	QTY	SERIAL NO.	REMARKS
1	H133094	SPINDLE	1		
	H161534	SPINDLE	1		(USED ON HEAVY DUTY DRIVE) (AUSTRALIA)
2	AH112402	SEAL	1		
	AH112401	SEAL	1		(USED ON HEAVY DUTY DRIVE) (AUSTRALIA)
3	R52015	SEAL	1		
	R90080	OIL CUP	1		(USED ON HEAVY DUTY DRIVE) (AUSTRALIA)
4	JD9092	BEARING CONE	1		
	JD10134	BEARING CONE	1		(USED ON HEAVY DUTY DRIVE) (AUSTRALIA)
5	JD9147	BEARING CUP	1		
	JD10135	BEARING CUP	1		(USED ON HEAVY DUTY DRIVE) (AUSTRALIA)
6	AH125233	SEAL	1		
	AH155232	V-RING SEAL	1		(USED ON HEAVY DUTY DRIVE) (AUSTRALIA)
7	H137672	GEAR	1	-24JA99	104 TEETH
	H167723	GEAR	1	25JA99-	95 TEETH
8	H118882	SNAP RING	1		
9	H129557	SPACER	1		
10	JD7298	BEARING CUP	1		
11	JD10266	BEARING CONE	1		
12	H129854	NUT	1		
13	H125330	SHAFT KEY	1		
14	H22784	SNAP RING	1		
15	H154720	PLUG	1		
16	R99244	V-RING SEAL	1		
	H161871	V-RING SEAL	1		(USED ON HEAVY DUTY DRIVE) (AUSTRALIA)

NOTE: QUANTITIES SHOWN ARE FOR ONE UNIT. TWO UNITS USED PER MACHINE.

**FINAL DRIVE SHAFT SHIELDS - RING AND PINION FINAL DRIVE
(LEFT-HAND SIDE ILLUSTRATED)**

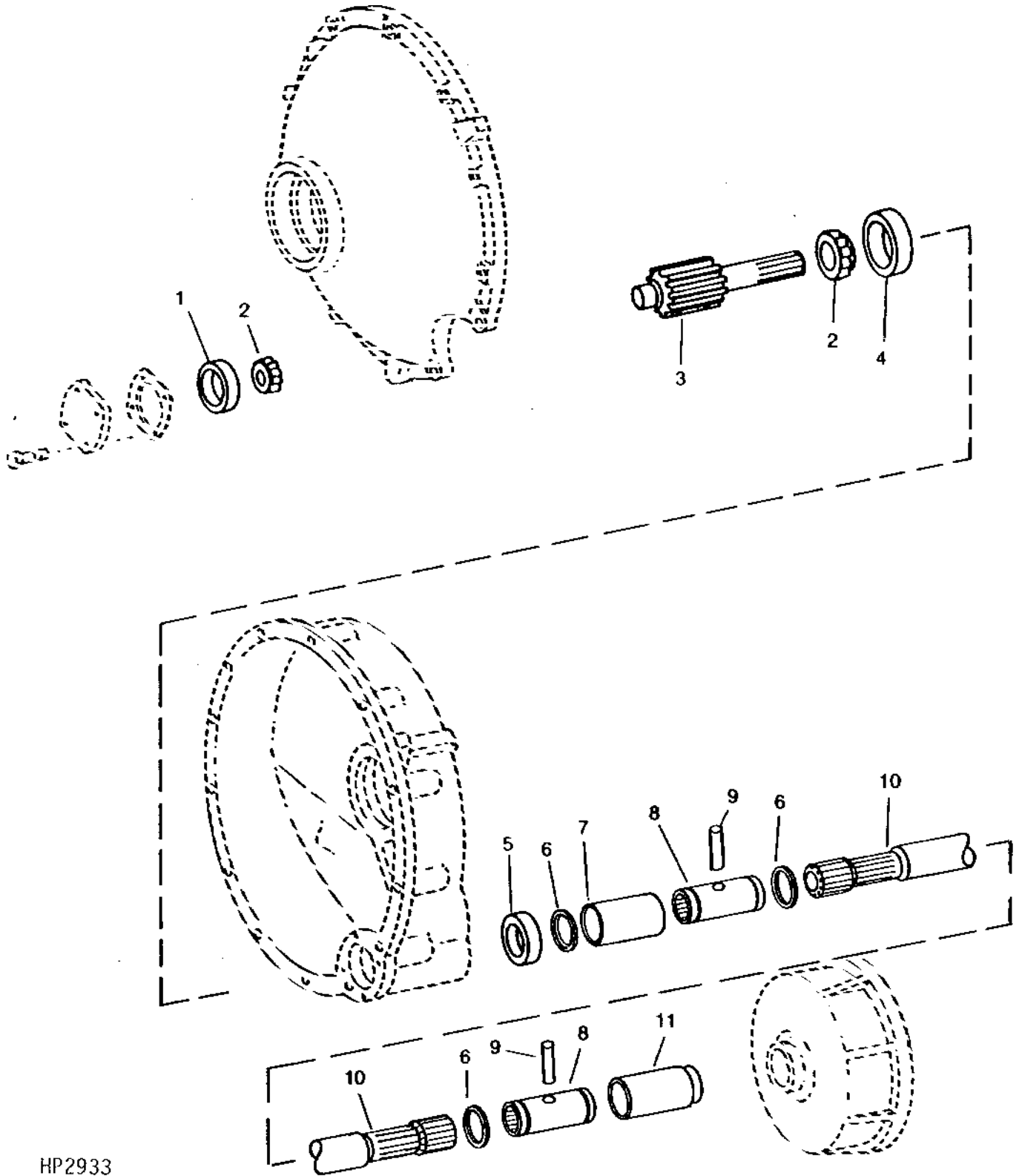
HP4929 -UN-01JAN94



KEY	PART NO.	PART NAME	QTY	SERIAL NO.	REMARKS
1	19M7783	SCREW	4		M10 X 16, (INTO WELDNUTS)
2	H147490	BRACKET	2		
	H166375	BRACKET	2		FOR RICE ONLY
3	19M7783	SCREW	4		M10 X 16, (INTO WELDNUTS ON NO. 2 UPRIGHT, L.H. AND R.H.)
4	AH132239	POWERSHAFT SHIELD	2		USE WITH NO AXLE SPACER
	AH139897	POWERSHAFT SHIELD	2		USE WITH 400 MM AXLE SPACER
	AH132238	POWERSHAFT SHIELD	2		USE WITH 300 MM AXLE SPACER
..	BH79826	COMPLETE GOODS/SHIP. BUNDLE	1		WITH 300 MM AXLE SPACERS
..	BH79828	COMPLETE GOODS/SHIP. BUNDLE	1		WITH 400 MM AXLE SPACERS

**FINAL DRIVE PINION, DRIVE SHAFTS AND BEARINGS
(RING AND PINION)**

HP2933 -UN-01JAN94



HP2933

**FINAL DRIVE PINION, DRIVE SHAFTS AND BEARINGS - CONTINUED
(RING AND PINION)**

KEY	PART NO.	PART NAME	QTY	SERIAL NO.	REMARKS
1	JD8222	BEARING CUP	1		
	JD7278	BEARING CUP	1		(USED ON HEAVY DUTY DRIVE) (AUSTRALIA)
2	JD10401	BEARING CONE	2		
	JD7228	BEARING CONE	1		(USED ON HEAVY DUTY DRIVE) (AUSTRALIA)
3	H157014	PINION	1		
	H161629	PINION	1		(USED ON HEAVY DUTY DRIVE) (AUSTRALIA)
4	T79098	BEARING CUP	1		
	JD7278	BEARING CUP	1		(USED ON HEAVY DUTY DRIVE) (AUSTRALIA)
5	AH128391	SEAL	1		
6	H133229	SNAP RING	3		
7	H134444	SLEEVE	1		
8	H165510	SPLINED COUPLING	2		(SUB FOR H133230)
9	H131754	PIN	2		
10	H165667	SHAFT	1		(SUB FOR H144992) R.H.
	H165668	SHAFT	1		(SUB FOR H144993) L.H.
11	H134531	SLEEVE	1		(SUB H166201)
	H166201	SLEEVE	1		

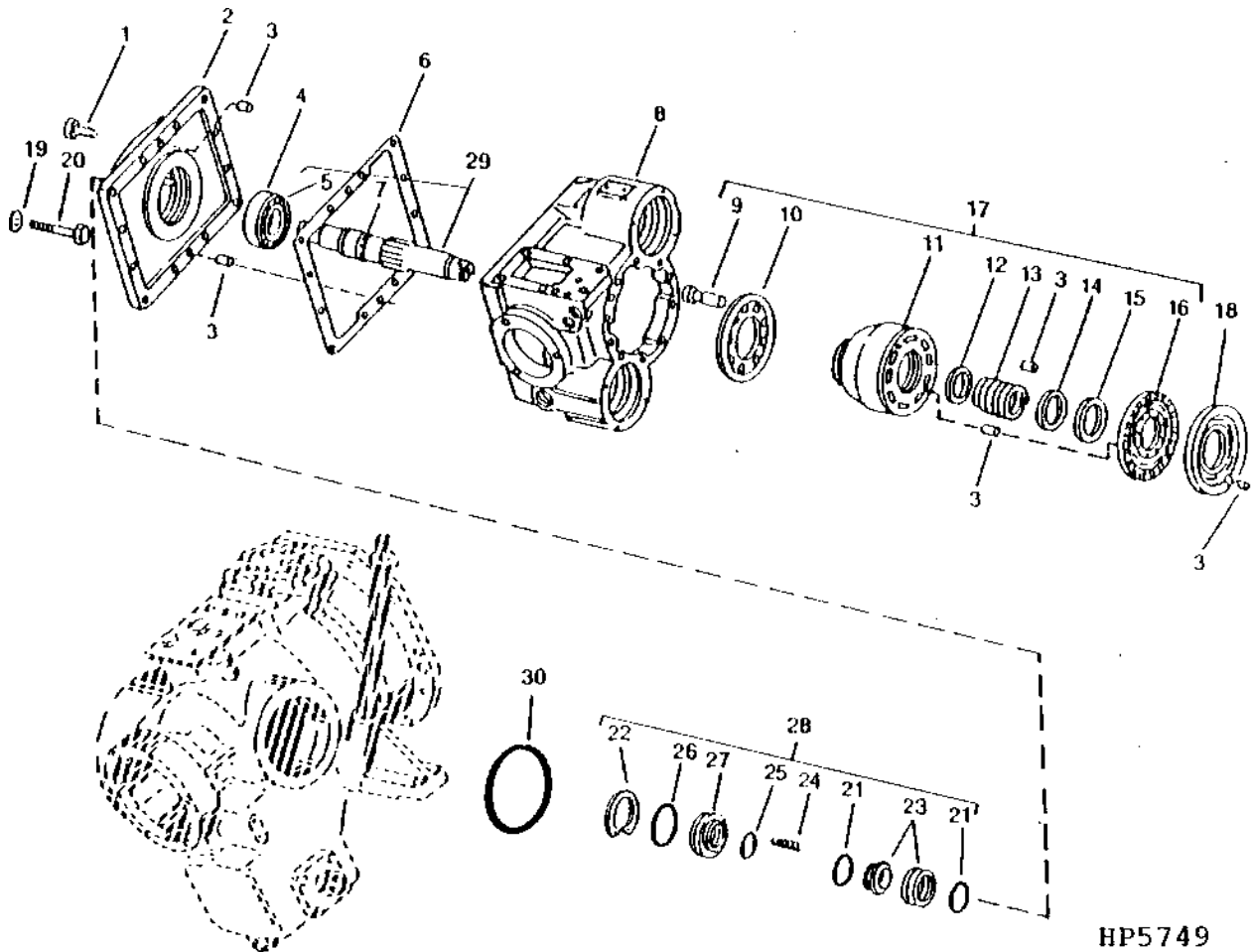
NOTE: QUANTITIES SHOWN ARE FOR ONE UNIT. TWO UNITS USED PER MACHINE.

2C9

HYDROSTATIC DRIVE PUMP, FRONT COVER AND SHAFT

(RING AND PINION)

HP5749 -UN-01JAN94



HP5749

2C10

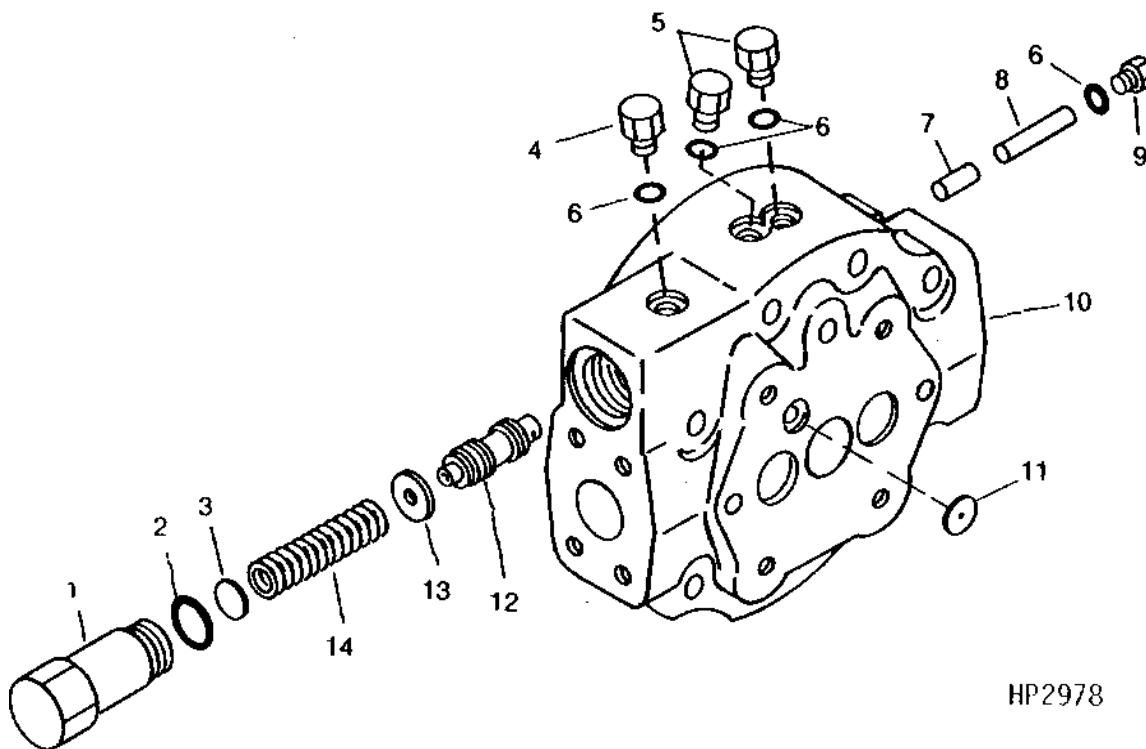
HYDROSTATIC DRIVE PUMP, FRONT COVER AND SHAFT (RING AND PINION FINAL DRIVE) - CONTINUED

KEY	PART NO.	PART NAME	QTY	SERIAL NO.	REMARKS
1	19H1731	CAP SCREW	12		3/8" X 1"
2	FLANGE	1		(ORDER AH160785)
	FLANGE	1		(ORDER AH160790)
3	H63271	PIN	5		
4	JD9113	BEARING CUP	1		
5	FLANGE	1		
6	N126585	GASKET	1	-675952	
	H115060	GASKET	1	675953-	
7	SNAP RING	1		
8	HOUSING	1		(ORDER AH160785)
	HOUSING	1		(ORDER AH160790)
9	AH131169	PISTON	9	-675952	(A)
	AH131388	PISTON	9	675953-	
10	RETAINER	1		(A)
11	CYLINDER BLOCK	1		(A)
12	WASHER	1		(A)
13	SPRING	1		(A)
14	WASHER	1		(A)
15	SNAP RING	1		(A)
16	H135500	PLATE	1		(A)
17	AH131171	KIT	1	-675952	(INCLUDES PARTS MARKED (A))
	AH131387	KIT	1	675953-	
18	H135499	PLATE	1		
19	T29342	WASHER	4		17/32" X 1-1/4" X 0.180"
20	19M7493	CAP SCREW	4		M12 X 40
21	N196034	O-RING	2		
22	N126612	SNAP RING	1		
23	SEAL KIT	1		(KIT AN193085)
24	N191174	SPRING	6		
25	U15415	O-RING	1		
26	R112857	O-RING	1		
27	RETAINER	1		(KIT AN193085)
28	AN193085	SEAL KIT	1		
29	AH133660	SHAFT	1	-675952	
	AH133663	SHAFT	1	675953-	
30	R63308	O-RING	1		120.015 X 5.334 MM (4.725" X 0.210")
..	AH131305	PUMP	1		(SUB AH160785 AND E65288) REMANUFACTURED
..	AH131385	HYDRAULIC PUMP	1		(SUB AH160790 AND E65288) REMANUFACTURED
..	AH160790	HYDRAULIC PUMP	1		REMANUFACTURED
..	E65288	O-RING	1		
..	AH160785	PUMP	1		REMANUFACTURED

2C11

HYDROSTATIC DRIVE PUMP COVER (RING AND PINION FINAL DRIVE)

HP2978 -UN-01JAN94



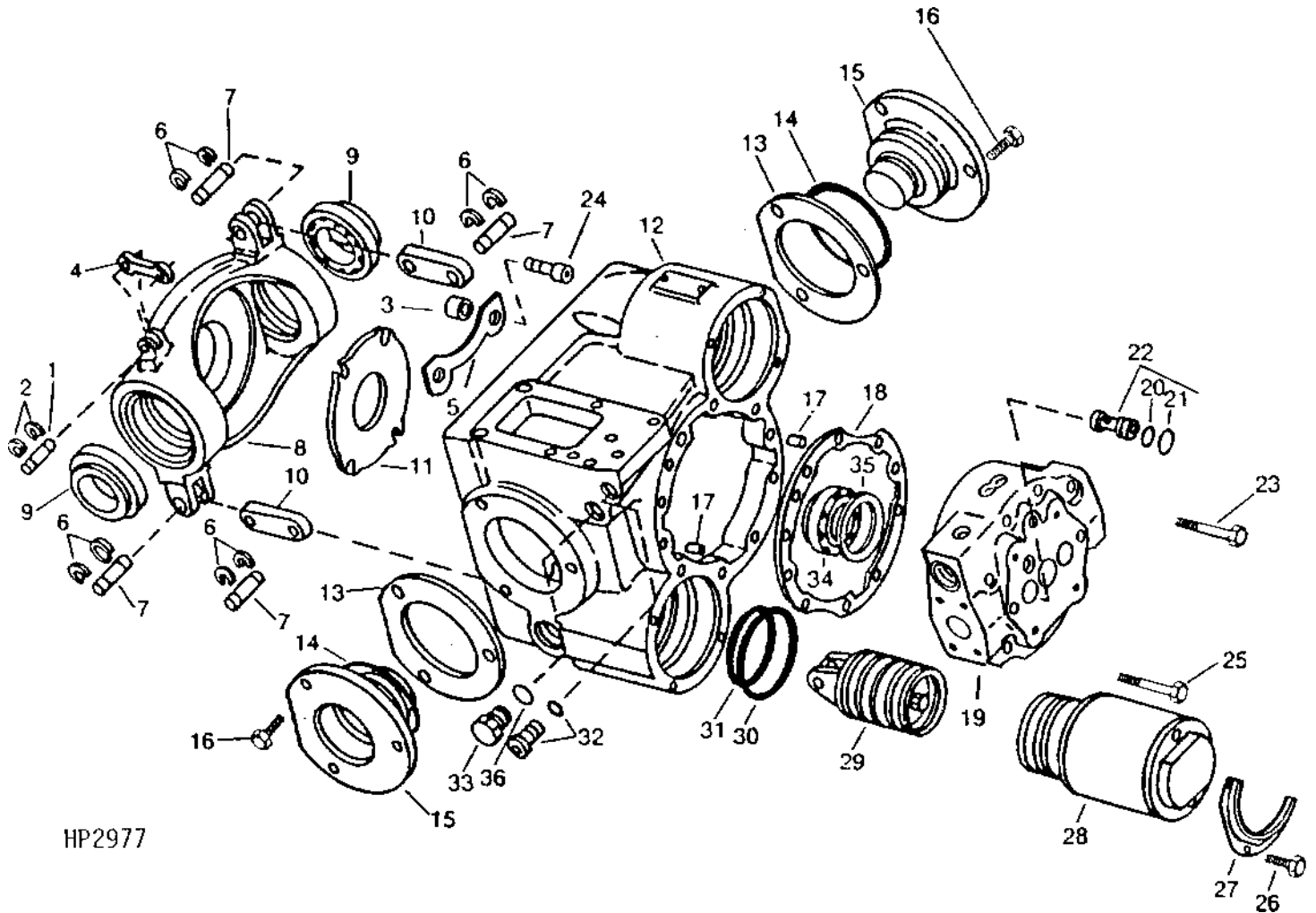
KEY	PART NO.	PART NAME	QTY	SERIAL NO.	REMARKS
1	H135215	HOLDER	1		
2	R26906	O-RING	1		
3	SHIM	1		(ORDER AH160785)
4	X05HP-2	FITTING	1		(ORDER AH160790)
5	X05HP-2	FITTING	2		
6	R30903	O-RING	4		
7	H135503	NEEDLE ROLLER	1		
8	H135504	NEEDLE ROLLER	1		
9	AT63272	FITTING	1		INCS. R30903 O-RING
10	COVER	1		(ORDER AH160785)
	COVER	1		(ORDER AH160790)
11	H135567	ORIFICE	1		
	N126644	ORIFICE	1	675953-	
	H135214	VALVE SPOOL	1		
12	H135213	WASHER	1		
13	H135213	WASHER	1		
14	H135211	COMPRESSION SPRING	1		
..	AH131305	PUMP	1		(SUB AH160785 AND E65288) REMANUFACTURED
..	AH131385	HYDRAULIC PUMP	1		(SUB AH160790 AND E65288) REMANUFACTURED
..	AH160790	HYDRAULIC PUMP	1		REMANUFACTURED
..	E65288	O-RING	1		
..	AH160785	PUMP	1		REMANUFACTURED

MEMORANDA

2C12

HYDROSTATIC DRIVE PUMP, HOUSING, SWASHPLATE, AND SERVO CYLINDERS (RING AND PINION FINAL DRIVE)

HP2977 -UN-01JAN94



HP2977

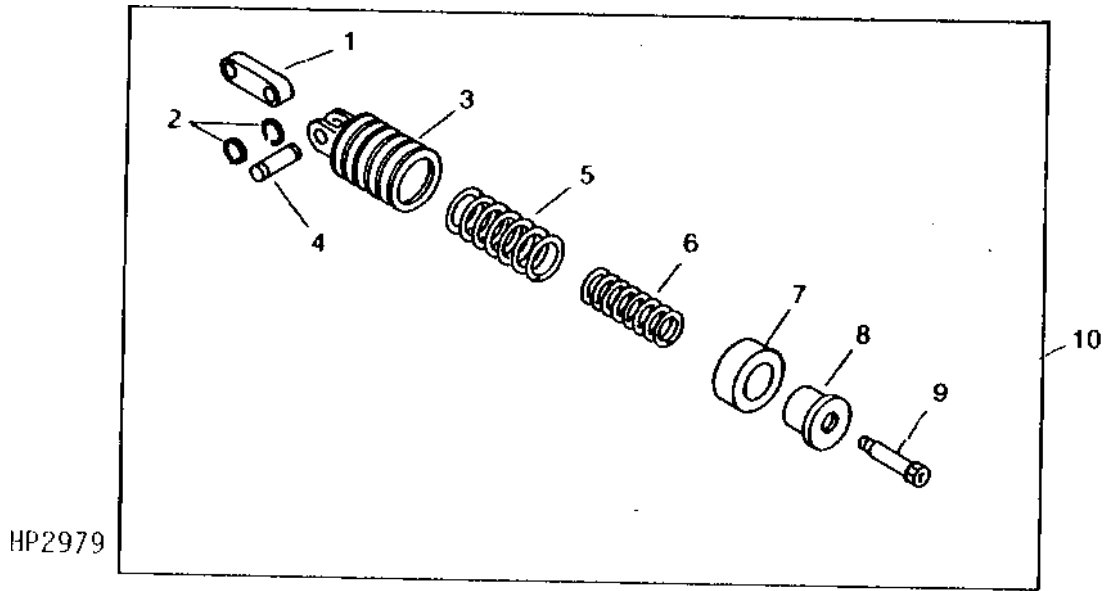
**HYDROSTATIC DRIVE PUMP, HOUSING, SWASHPLATE, AND SERVO CYLINDERS - CONTINUED
(RING AND PINION FINAL DRIVE)**

KEY	PART NO.	PART NAME	QTY	SERIAL NO.	REMARKS
1	N126603	PIN	1		
2	M48000	SNAP RING	2		
3	SPACER	1		(KIT AH131391)
4	LINK	1		(ORDER AH160785)
	LINK	1		(ORDER AH160790)
5	STRAP	1		(KIT AH131391)
6	N126609	SNAP RING	8		(SUB (8) AN274375)
7	N126599	PIN	4		(SUB (4) AN274375)
8	SWASH PLATE	1		(ORDER AH160785)
	SWASH PLATE	1		(ORDER AH160790)
9	JD9076	BEARING CONE	2		
	JD9133	BEARING CUP	2		
10	N126600	LINK	2		
11	PLATE	1		(KIT AH131391)
12	HOUSING	1		(ORDER AH160785)
	HOUSING	1		(ORDER AH160790)
13	AN122506	SHIM	AR	-675952	FOUR, .002", .005", .010" AND .015"
	AH112680	SHIM	AR	675953-	AUSTRALIA
14	T14065	O-RING	2		
15	TRUNNION	2		(ORDER AH160785)
	TRUNNION	2		(ORDER AH160790)
16	19H2284	CAP SCREW	6		3/8" X 7/8"
17	H63271	PIN	2		
18	N126584	GASKET	1		
	H115049	GASKET	1	675953-	
19	COVER	1		(ORDER AH160785)
	COVER	1		(ORDER AH160790)
20	32246	O-RING	2		
21	W23690	BACK-UP RING	2		
22	AN122502	CHECK VALVE	2		
23	19H1944	CAP SCREW	6		3/8" X 2-3/4"
24	19H3053	SCREW	4		5/16" X 1"
25	19H1800	CAP SCREW	2		3/8" X 1-1/2"
26	19H3176	SCREW	6		0.164" X 0.380"
27	N126602	RETAINER	2		SERVO
	H115052	RETAINER	2	675953-	
28	AN122493	SLEEVE	2		SERVO, INCLUDES R53543 AND M43518 O-RINGS
	AH112668	KIT	2	675953-	
29	AH131172	PISTON	2		(INCLUDES KEYS 6, 7 AND 10)
	AH112675	PISTON	2	675953-	
30	R53543	O-RING	2		
31	M43518	O-RING	2		
32	AN122518	FITTING	1		PLUG, SOCKET HD. UNF, 7/16", INCLUDES O-RING
33	R51031	FITTING	1		
34	AN122507	ROLLER BEARING	1		
35	AN122509	SHIM	1	-675952	FIVE, .002", .005", .010" AND .015"
	AH112678	SHIM	1	675953-	
36	R28782	O-RING	2		
..	AH131391	KIT	1		(INCLUDES KEYS 3, 5 AND 11)
..	AH131392	KIT	1	675953-	
..	AH131305	PUMP	1		(SUB AH160785 AND E65288) REMANUFACTURED
..	AH131385	HYDRAULIC PUMP	1		(SUB AH160790 AND E65288) REMANUFACTURED
..	AH160790	HYDRAULIC PUMP	1		REMANUFACTURED
..	E65288	O-RING	1		
..	AN274375	PIN	1		(INCLUDES KEYS 6 AND 7)
..	AH160785	PUMP	1		REMANUFACTURED

2C14

**HYDROSTATIC DRIVE PISTON ASSEMBLY
(RING AND PINION)**

HP2979 -UN-01JAN94



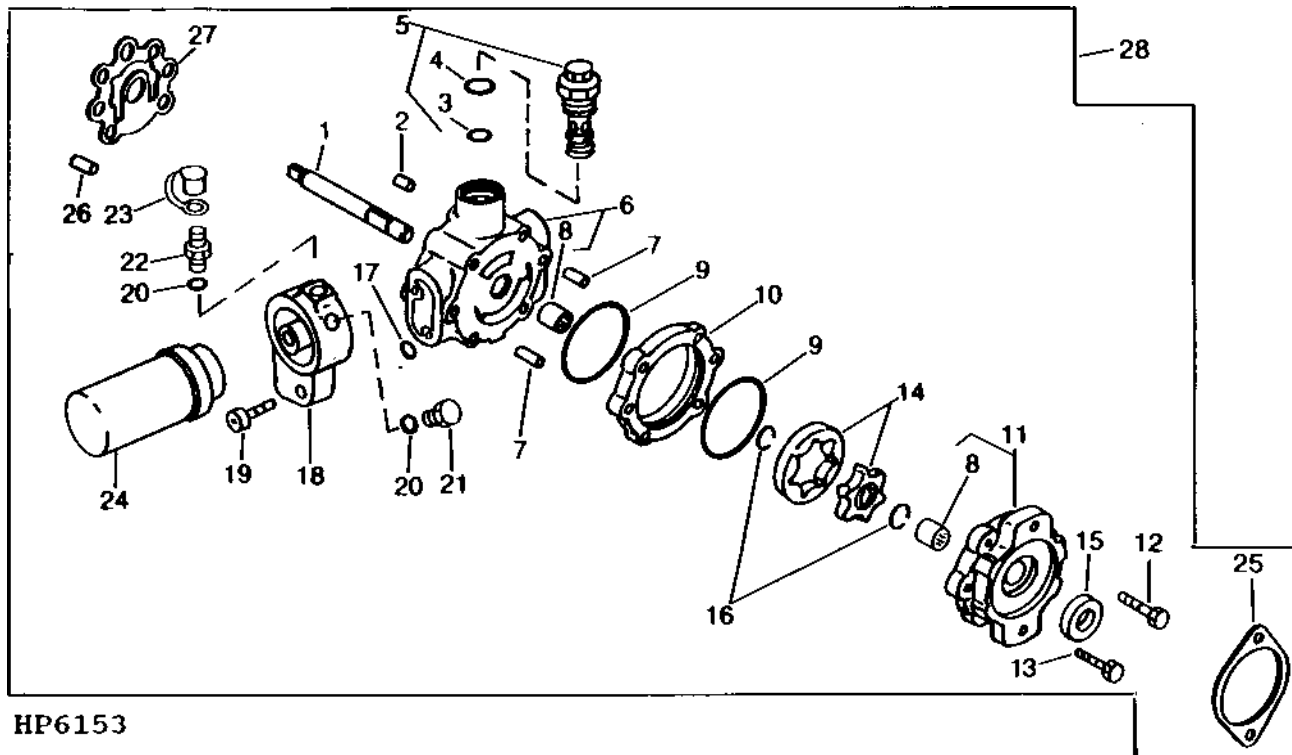
KEY	PART NO.	PART NAME	QTY	SERIAL NO.	REMARKS
1	N126600	LINK	1		
2	N126609	SNAP RING	2		(SUB (2) AN274375)
3	PISTON	1		(SUB AH131172)
4	N126599	PIN	1		(SUB AN274375)
5	SPRING	1		(SUB AH131172)
6	SPRING	1		(SUB AH131172)
7	SPACER	1		(SUB AH131172)
8	RETAINER	1		(SUB AH131172)
9	CAP SCREW	1		(SUB AH131172)
10	AH131172	PISTON	1	-675952	
	AH112675	PISTON	1	675953-	(SERVICE ONLY)
..	AN274375	PIN	1		(INCLUDES KEYS 2 AND 4)

2C15

POWER TRAIN

HYDROSTATIC DRIVE CHARGE PUMP (RING AND PINION)

(- 679742)
HP6153 -UN-01SEP95



HP6153

KEY	PART NO.	PART NAME	QTY	SERIAL NO.	REMARKS
1	H135505	DRIVE SHAFT	1	-15JUN8	
	H135697	SHAFT	1	15JUN8-	
2	N126638	PIN	1		
3	H63289	O-RING	1		
4	U17409	O-RING	1		
5	AN122498	RELIEF VALVE	1		
6	HOUSING	1		(A)
7	N126601	BUSHING	1		
8	NEEDLE BEARING	1		(A)
9	H135570	O-RING	1		
10	SPACER	1		(A)
11	COVER	1		(A)
12	19H1875	CAP SCREW	2	5/16" X 1-3/4"	
13	SCREW	4		(A)
14	OIL PUMP	1		(A)
15	AH131170	SEAL	1	-675952	
16	SNAP RING	2		(A)
17	R34404	O-RING	2		(SUB P48347)
18	H151087	FILTER HEAD	1		
19	19H3093	SCREW	2	3/8" X 1-3/4"	
20	R26448	O-RING	2		
21	R27218	FITTING PLUG	1		
22	AH125760	HYD. QUICK-CONNECT COUPLER	1		
23	R77175	COVER	1		
24	AH128449	HYDRAULIC FILTER	1		
25	H131121	GASKET	1		
26	H63271	PIN	2		
27	H135497	GASKET	1		
28	AH131167	HYDRAULIC PUMP	1		(SUB AH160745 AND E65288) (INCLUDES PARTS MARKED (A))
	AH160745	HYDRAULIC PUMP	1		(INCLUDES PARTS MARKED (A))
	E65288	O-RING	1		
	AH160750	HYDRAULIC PUMP	1		(SUB FOR AH131386)

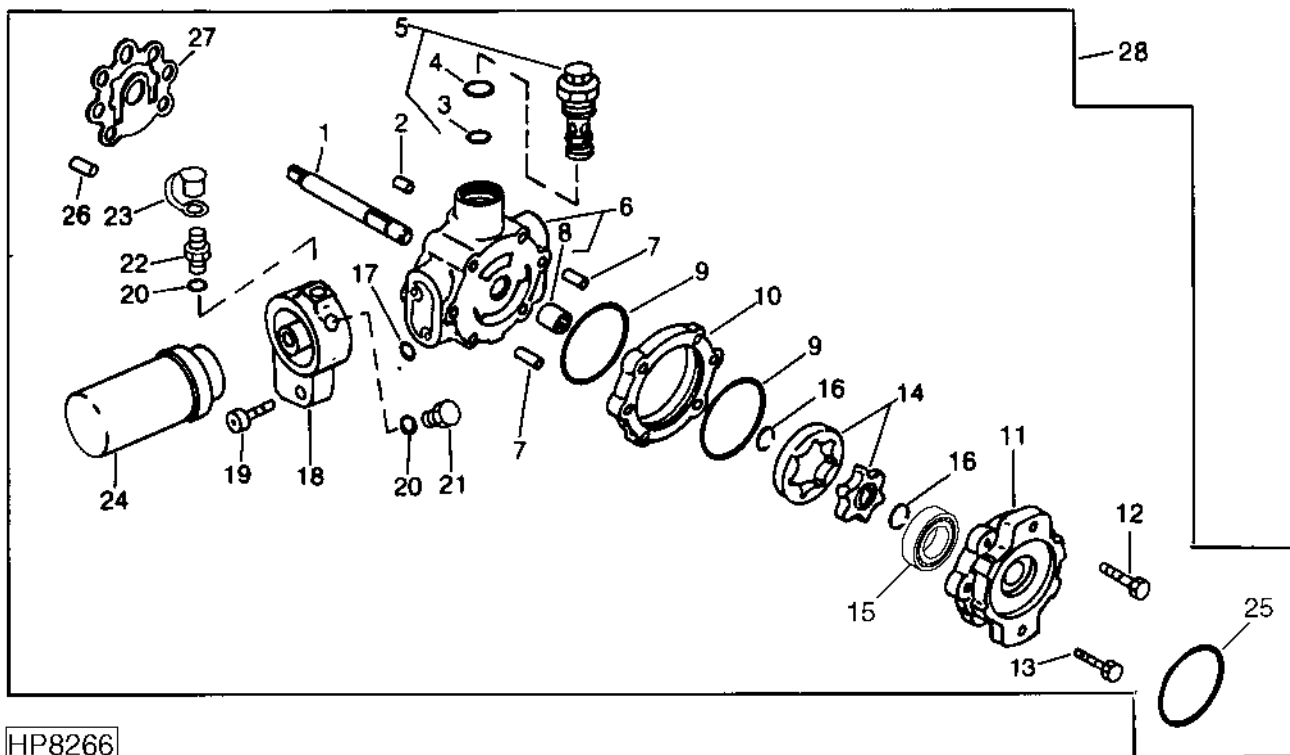
NOTE: PARTS ON THIS PAGE ARE ALSO FURNISHED AS PART OF AH160785 HYDROSTATIC DRIVE UNIT.
(RING AND PINION FINAL DRIVE)

2C16

POWER TRAIN

HYDROSTATIC DRIVE CHARGE PUMP

(679743 -)
HP8266 -UN-19FEB99



HP8266

KEY	PART NO.	PART NAME	QTY	SERIAL NO.	REMARKS
1	DRIVE SHAFT	1		
2	N126638	PIN	1		
3	H63289	O-RING	1	20.295 X 2.616 MM (0.799" X 0.103")	
4	U17409	O-RING	1	26.619 X 2.946 MM (1.048" X 0.116")	
5	AN122498	RELIEF VALVE	1		
6	HOUSING	1	(A)	
7	N126601	BUSHING	1		
8	NEEDLE BEARING	1	(A)	
9	H135570	O-RING	1	78.994 X 1.778 MM (3.110" X 0.070")	
10	SPACER	1	(A)	
11	COVER	1	(A)	
12	19H1875	CAP SCREW	2	5/16" X 1-3/4"	
13	SCREW	4	(A)	
14	OIL PUMP	1	(A)	
15	BALL BEARING	1		
16	SNAP RING	2	(A)	
17	R34404	O-RING	2	17.120 X 2.616 MM (0.674" X 0.103")	
18	H151087	FILTER HEAD	1		
19	19H3093	SCREW	2	9.525 X 44.450 MM (3/8" X 1-3/4")	
20	R26448	O-RING	2	11.887 X 1.981 MM (0.468" X 5/64")	
21	R27218	FITTING PLUG	1		
22	AH125760	HYD. QUICK-CONNECT COUPLER	1		
23	R77175	COVER	1		
24	AH128449	HYDRAULIC FILTER	1		
25	E65288	O-RING	1		
26	H63271	PIN	2		
27	H135497	GASKET	1		
28	AH160745	HYDRAULIC PUMP	1	(INCLUDES PARTS MARKED (A))	

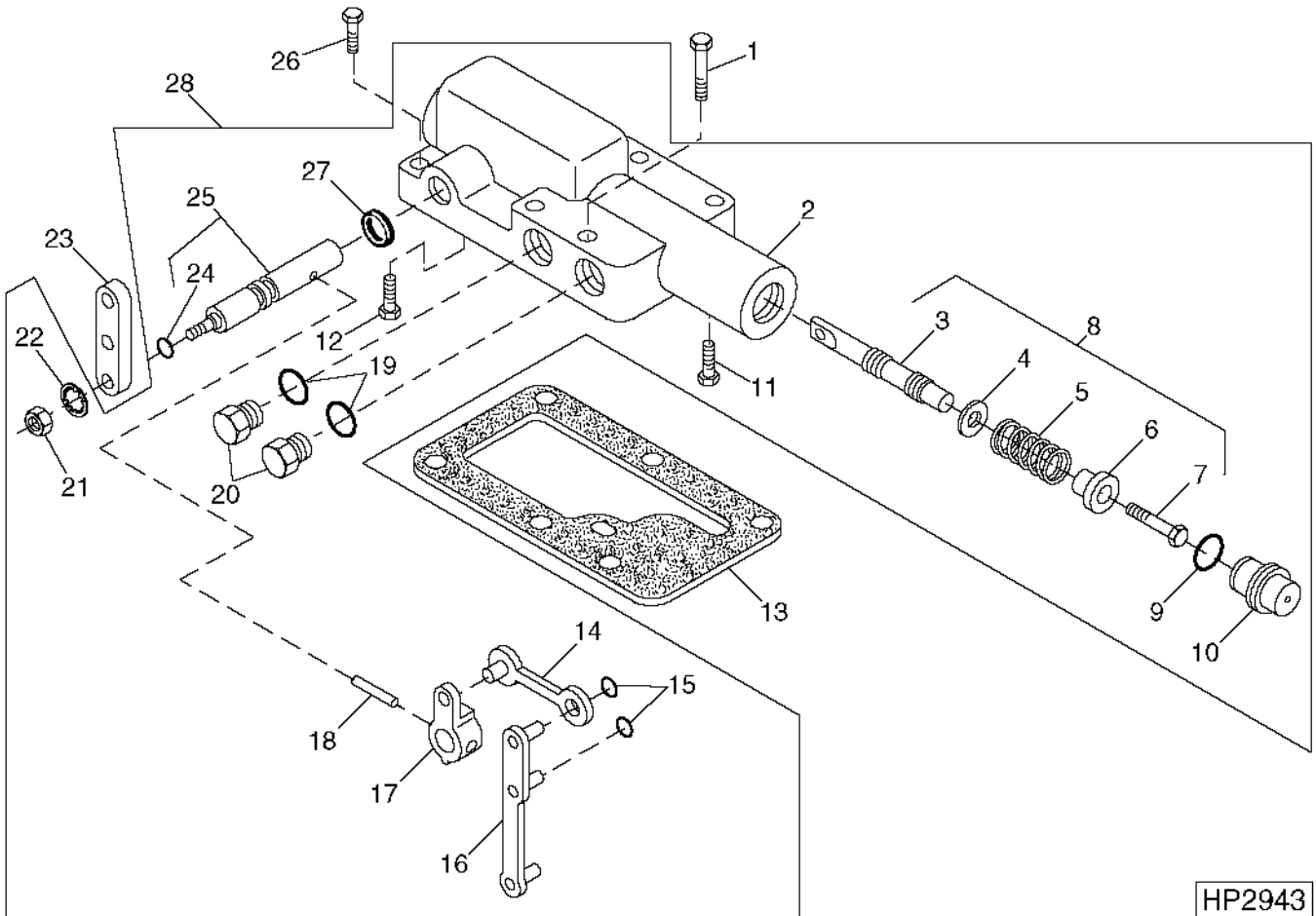
NOTE: PARTS ON THIS PAGE ARE ALSO FURNISHED AS PART OF AH160785 HYDROSTATIC DRIVE UNIT.

MEMORANDA

2C17

HYDROSTATIC DRIVE DISPLACEMENT CONTROL VALVE

HP2943 -UN-13AUG99



HYDROSTATIC DRIVE DISPLACEMENT CONTROL VALVE - CONTINUED

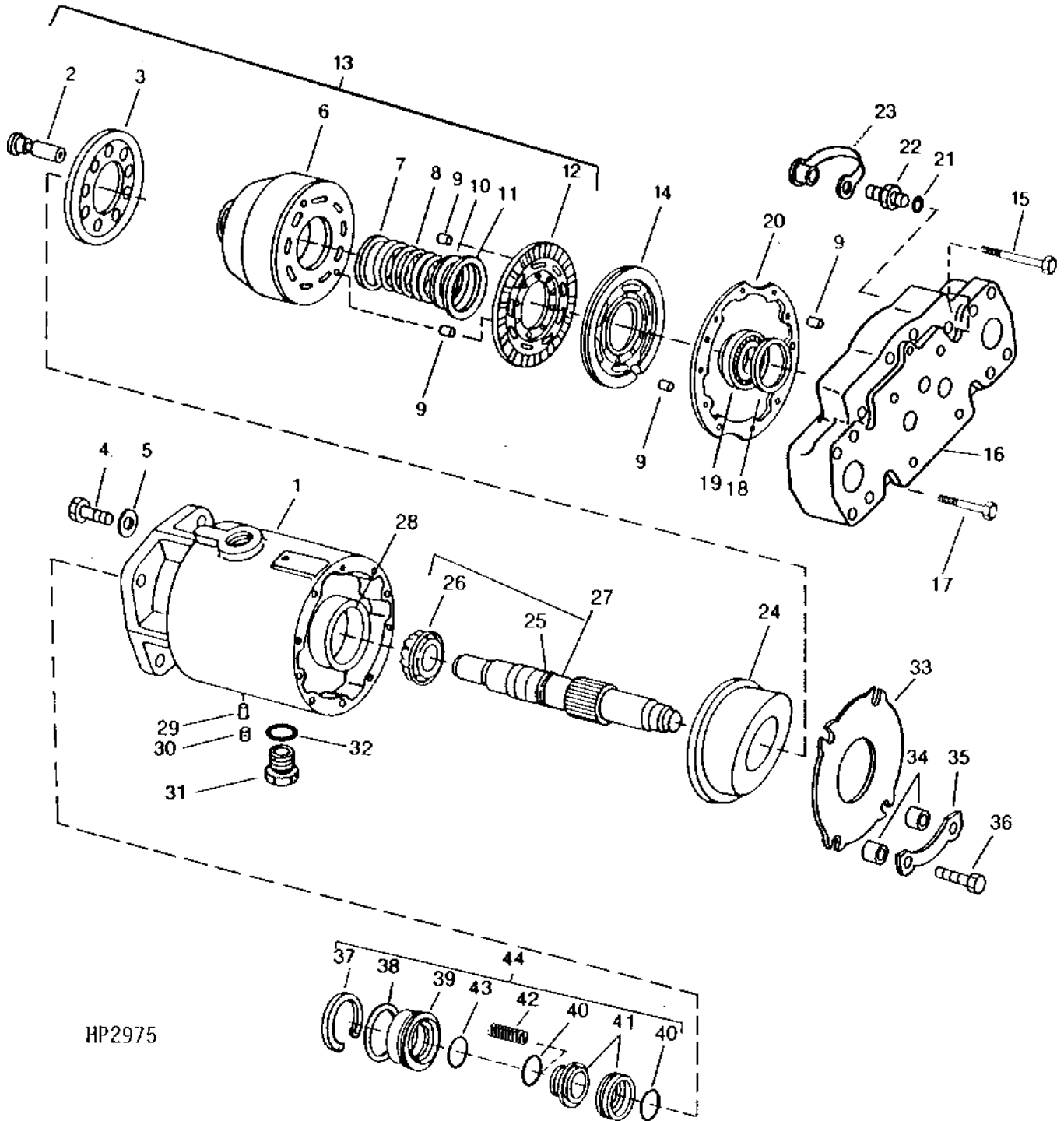
KEY	PART NO.	PART NAME	QTY	SERIAL NO.	REMARKS
1	19H1875	CAP SCREW	2		5/16" X 1-3/4"
2	HOUSING	1		(B)
3	SPOOL	1		(A)
4	WASHER	1		(A)
5	SPRING	1		(A)
6	RETAINER	1		(A)
7	CAP SCREW	1		(A)
8	AH129284	KIT	1		(INCLUDES PARTS MARKED (A))
9	R27166	O-RING	1		
10	N126641	SCREW	1		
11	AN122494	BOLT	1		
12	AN122499	BOLT	1		
13	N126586	GASKET	1		
14	LINK	1		(B)
15	M48000	SNAP RING	2		
16	LINK	1		(B)
17	CONNECTOR	1		(B)
18	34H311	SPRING PIN	1		1/4" X 7/8"
19	R26448	O-RING	2		
20	R27218	FITTING PLUG	2		
21	14H785	NUT	1		5/16"
22	12M7032	LOCK WASHER	1		8.400 MM (0.331")
23	H168988	LEVER	1		(SUB FOR H126583)
24	A3917R	O-RING	1		
25	AN193084	SHAFT	1		
26	19H1905	CAP SCREW	4		5/16" X 1"
27	H136163	SEAL	1		
28	AH131168	CONTROL VALVE	1		(INCLUDES PARTS MARKED (B))

NOTE: PARTS ON THIS PAGE ARE ALSO FURNISHED AS PART OF AH160785 HYDROSTATIC DRIVE UNIT.
(SINGLE REDUCTION FINAL DRIVE)

NOTE: PARTS ON THIS PAGE ARE ALSO FURNISHED AS PART OF AH160790 HYDROSTATIC DRIVE UNIT.
(PLANETARY FINAL DRIVE)

2C19

HYDROSTATIC DRIVE MOTOR
(RING AND PINION)
HP2975 -UN-01JAN94



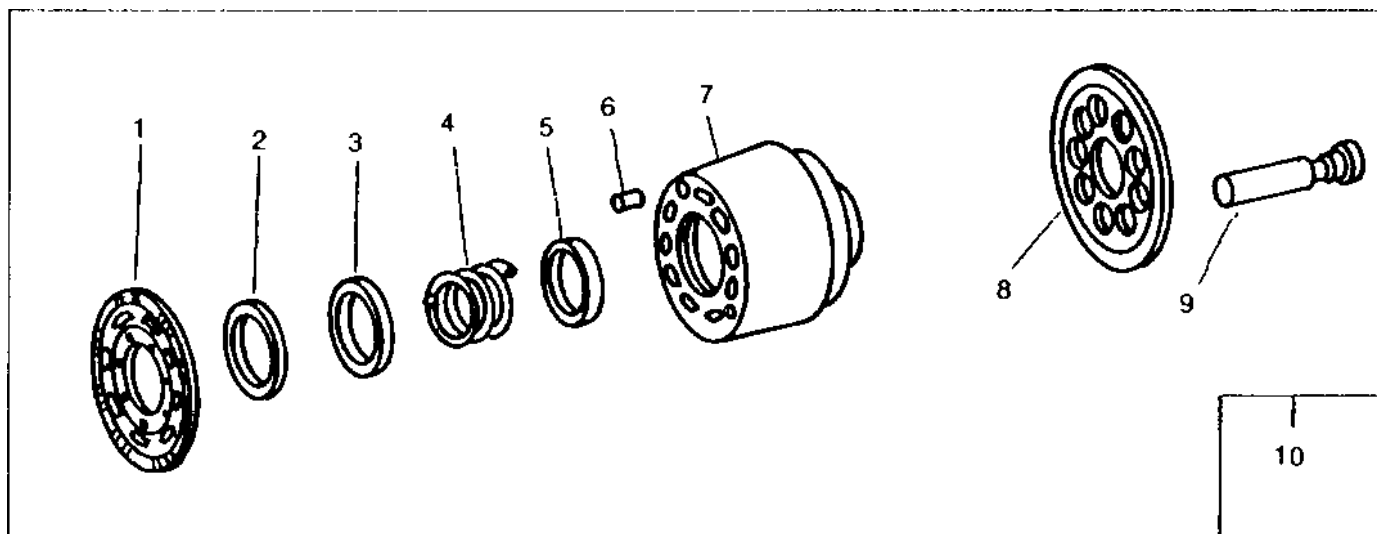
HP2975

**HYDROSTATIC DRIVE MOTOR - CONTINUED
(RING AND PINION)**

KEY	PART NO.	PART NAME	QTY	SERIAL NO.	REMARKS
1	HOUSING	1		(SUB AH131310)
2	AH131169	PISTON	1		
3	RETAINER	1		(KIT AH131171)
4	19H3192	SCREW	2		5/16" X 3"
5	H135571	SEALING WASHER	2		
6	CYLINDER BLOCK	1		(KIT AH131171)
7	WASHER	1		(KIT AH131171)
8	SPRING	1		(KIT AH131171)
9	H63271	PIN	5		
10	WASHER	1		(KIT AH131171)
11	SNAP RING	1		(KIT AH131171)
12	H135500	PLATE	1	-15JUN8	
13	AH131388	PISTON	1	15JUN8-	
	AH131171	KIT	1	-675952	
	AH131387	KIT	1	675953-	
14	H135509	PLATE	1		
15	19H1944	CAP SCREW	6		3/8" X 2-3/4"
16	COVER	1		(SUB AH131310)
17	19H1800	CAP SCREW	2		3/8" X 1-1/2"
18	AN122509	SHIM	1	-675952	FIVE, .002", .005", .010" AND .015"
	AH112678	SHIM	1	675953-	(SERVICE ONLY)
19	AN122507	ROLLER BEARING	1		
20	H135508	GASKET	1		
21	R26448	O-RING	2		
22	AH125760	HYD. QUICK-CONNECT COUPLER	2		
23	R77175	COVER	2		
24	SWASH PLATE	1		(SUB AH131310)
25	SNAP RING	1		
26	FLANGE	1		
27	AH133661	SHAFT	1		
28	JD9113	BEARING CUP	1		
29	H64813	DOWEL PIN	1		
30	15H558	PIPE PLUG	1		1/8"
31	R27175	DRAIN PLUG	1		
32	U12547	O-RING	1		
33	PLATE	1		(KIT AH131391)
34	SPACER	4		(KIT AH131391)
35	STRAP	1		(KIT AH131391)
36	19H3053	SCREW	4		5/16" X 1"
37	N126612	SNAP RING	1		
38	R112857	O-RING	1		
39	RETAINER	1		(KIT AN193085)
40	N196034	O-RING	2		
41	SEAL KIT	1		(KIT AN193085)
42	N191174	SPRING	6		
43	U15415	O-RING	1		
44	AN193085	SEAL KIT	1		
..	AH131391	KIT	1		(INCLUDES KEYS 33, 34 AND 35)
..	AH131392	KIT	1	675953-	
..	AH131310	MOTOR	1		(INCLUDES AH131173 MOTOR VALVE) REMANUFACTURED

**HYDROSTATIC DRIVE MOTOR KIT
(RING AND PINION)**

HP2942 -UN-01JAN94

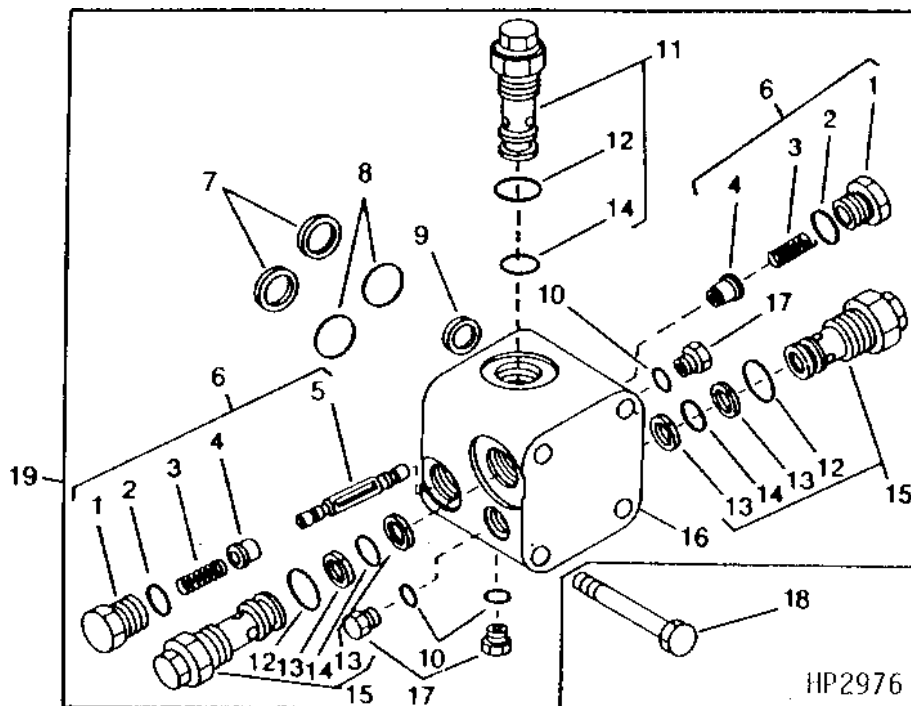


HP2942

KEY	PART NO.	PART NAME	QTY	SERIAL NO.	REMARKS
1	H135500	PLATE	1		
2	SNAP RING	1		
3	SPACER	1		
4	SPRING	1		
5	SPACER	1		
6	H63271	PIN	2		
7	CYLINDER BLOCK	1		
8	PLATE	1		
9	AH131169	PISTON	1	-675952	(INCLUDES 9 PISTONS)
	AH131388	PISTON	1	675953-	
10	AH131171	KIT	1	-675952	
	AH131387	KIT	1	675953-	

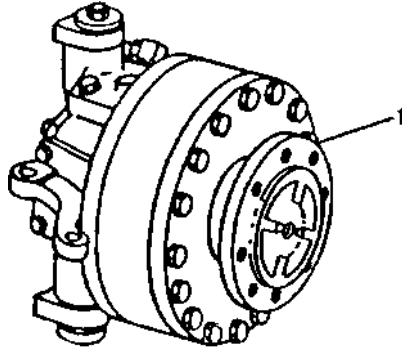
**HYDROSTATIC MOTOR VALVE
(RING AND PINION)**

HP2976 -UN-01JAN94



KEY	PART NO.	PART NAME	QTY	SERIAL NO.	REMARKS
1	PLUG	2	(KIT AH131308)	
	R27175	DRAIN PLUG	2		
2	R26906	O-RING	2		
	U12547	O-RING	2		
3	SPRING	1	(KIT AH131308)	
4	N126654	VALVE	2	SHUTTLE	
5	N128541	SPOOL	1	SHUTTLE	
6	AH131308	KIT	1		
7	U40729	BACK-UP RING	2		
8	N130510	O-RING	2		
9	AN272356	SEAL KIT	1		
10	R28782	O-RING	3		
11	AN122497	RELIEF VALVE	1	LOW PRESSURE	
12	U17409	O-RING	3		
13	H63288	RING	4		
14	H63289	O-RING	3		
15	AH129280	RELIEF VALVE	2	HIGH PRESSURE	
	AH131174	RELIEF VALVE	2	HIGH PRESSURE	
16	CASE	1	(SUB AH141811)	
17	R51031	FITTING	3		
18	19H2228	CAP SCREW	4	3/8" X 4"	
19	AH141811	VALVE	1		

CAM LOBE MOTOR
RXP6972 -UN-01JAN94



RXP6972

KEY	PART NO.	PART NAME	QTY	SERIAL NO.	REMARKS
1	RE33336	MOTOR	1		(A) R.H. COMPLETE COMPONENT
	RE33337	MOTOR	1		(A) L.H. COMPLETE COMPONENT
	RE33338	MOTOR	1		(B) R.H. COMPLETE COMPONENT
	RE33339	MOTOR	1		(B) L.H. COMPLETE COMPONENT
..	BH71746	COMPLETE GOODS/SHIP. BUNDLE	1		4-WHEEL DRIVE CONVERSION
..	BH80002	COMPLETE GOODS/SHIP. BUNDLE	1		4-WHEEL DRIVE CONVERSION

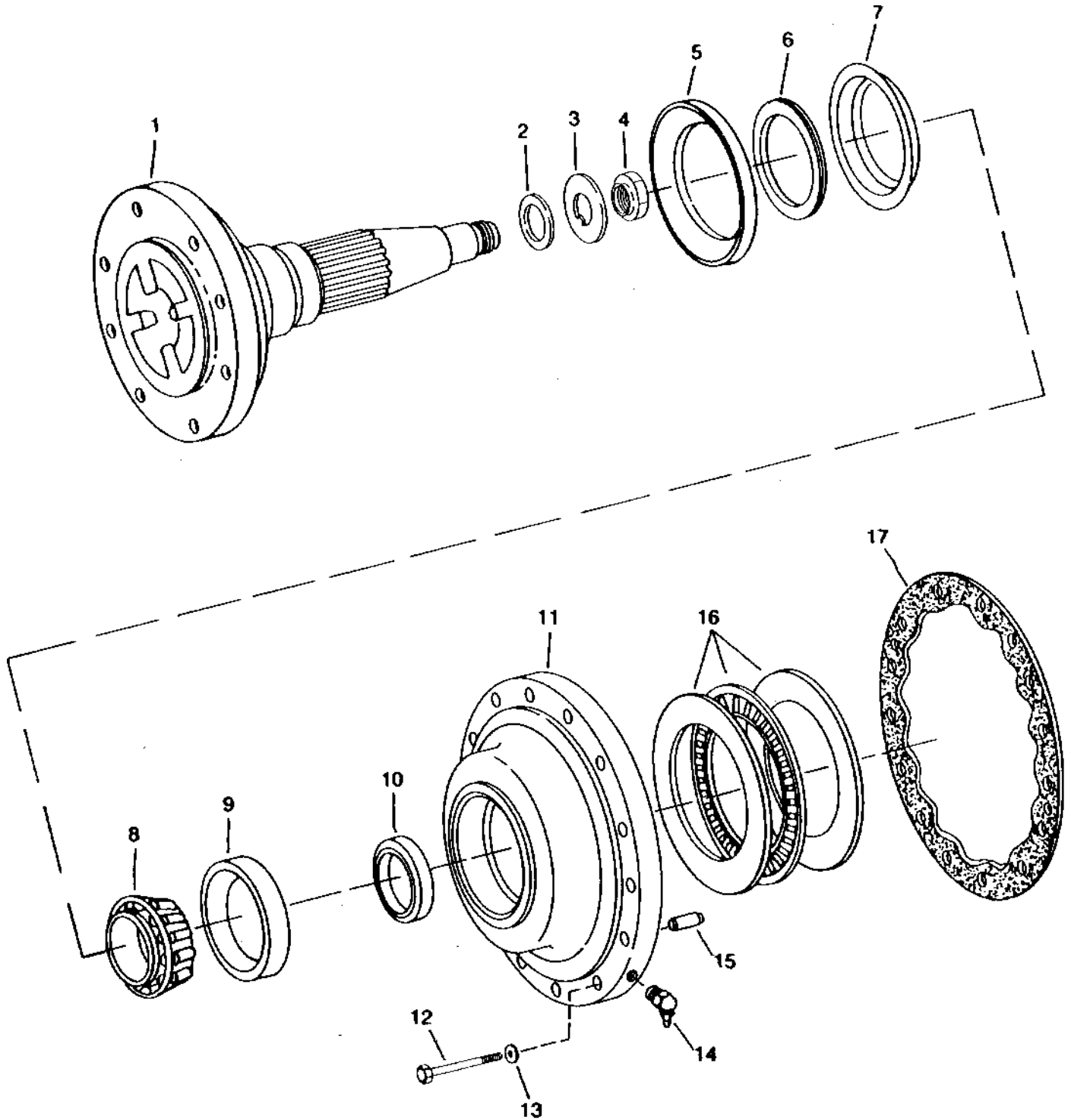
(A) 1200 CC
(B) 1600 CC

MEMORANDA

2C24

POWER TRAIN

SHAFT, OUTER COVER, BEARING AND SEALS
CAM LOBE MOTOR
RXP6957 -UN-01JAN94



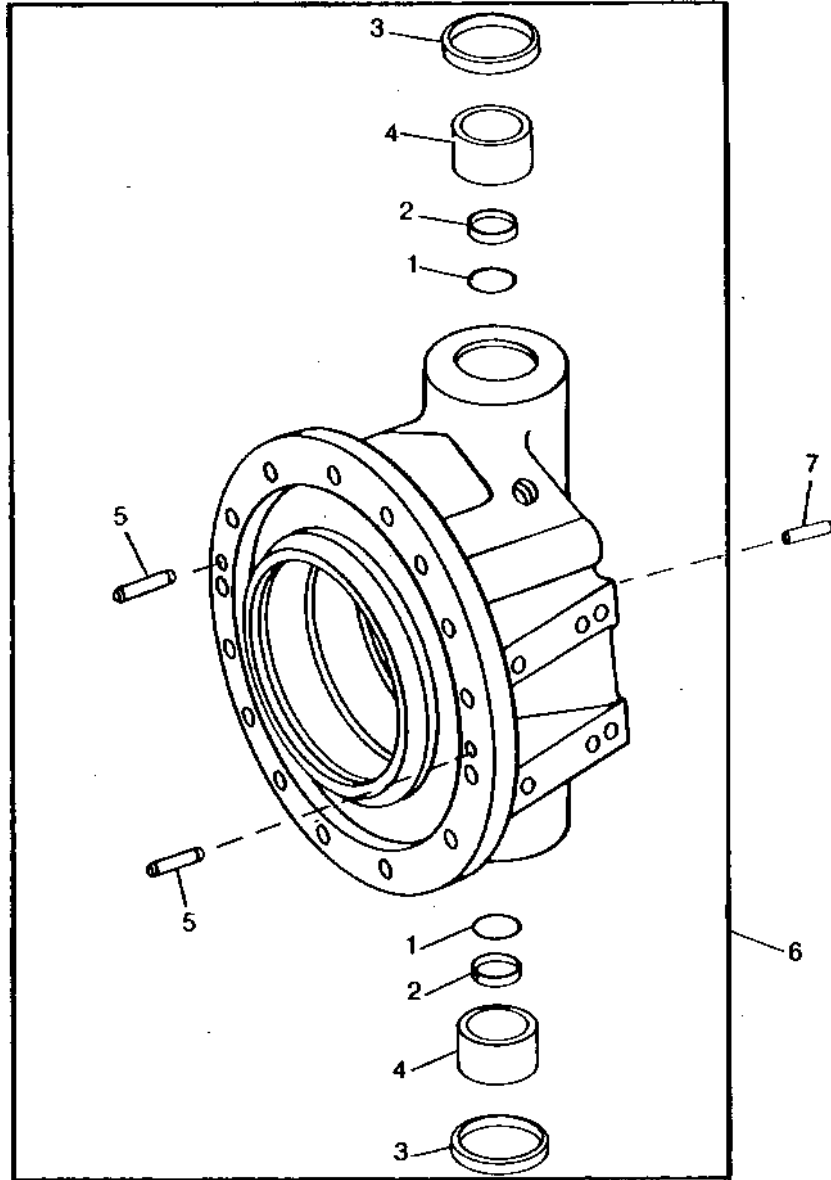
RXP6957

SHAFT, OUTER COVER, BEARING AND SEALS - CONTINUED
CAM LOBE MOTOR

KEY	PART NO.	PART NAME	QTY	SERIAL NO.	REMARKS
1	R88972	SPINDLE	1		
	R111995	SPINDLE	1		(SUB R111995) (ALSO ORDER RE49243)
2	JD9849	THRUST BEARING	1		
3	R93180	WASHER	1		
4	R92160	NUT	1		
5	R93030	SEAL	1		
6	RE31701	SEAL	1		(USE WITH R88972)
	RE49243	SEAL	1		(USE WITH R111995)
7	R57269	OIL CUP	1		
8	JD10462	BEARING CONE	1		
9	JD7448	BEARING CUP	1		
10	RE32824	SEAL	1		
11	R88829	COVER	1		
12	R89610	CAP SCREW	15		1/2" X 6"
13	R32214	WASHER	15		
14	JD7847	LUBRICATION FITTING	1		
15	R26650	DOWEL PIN	2		
16	RE68401	THRUST BEARING	1		(SUB FOR RE22642)
17	R93142	GASKET	1		

2D1

INNER COVER
RXP7788 -UN-01JAN94



RXP7788

2D2

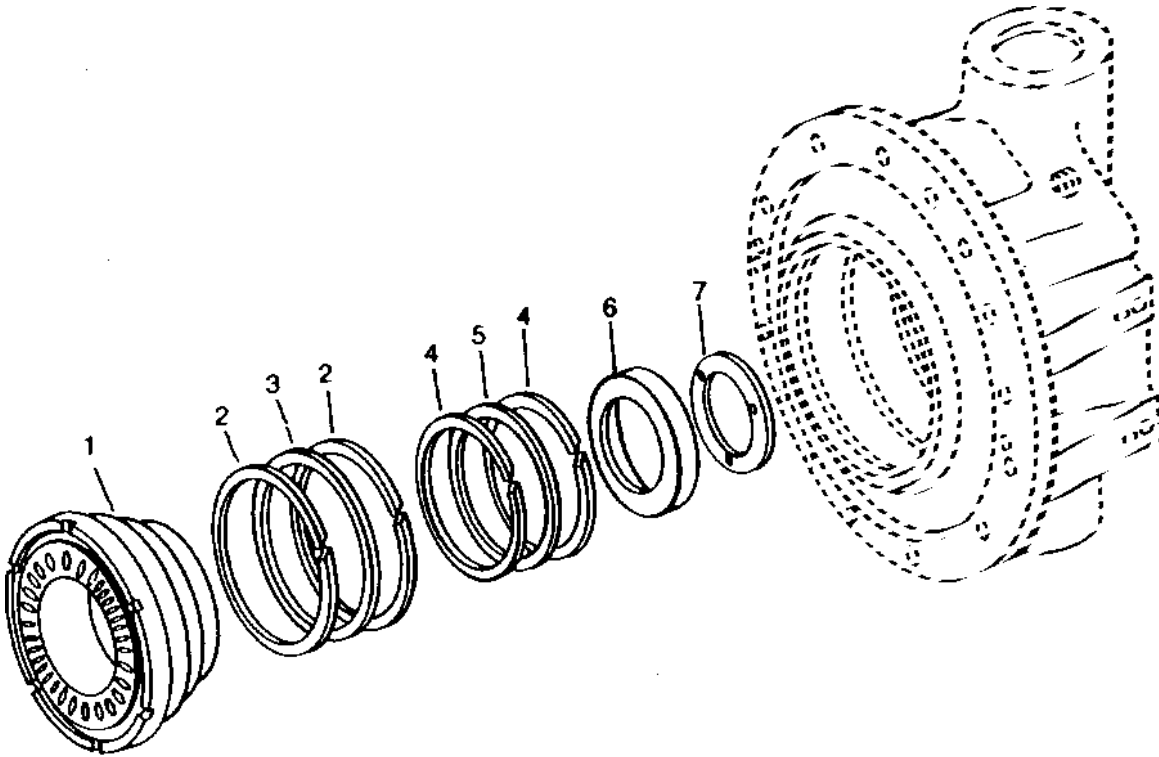
POWER TRAIN

INNER COVER - CONTINUED

KEY	PART NO.	PART NAME	QTY	SERIAL NO.	REMARKS
1	U11647	O-RING	2		
2	R73102	BACK-UP RING	2		
3	AR86539	SEAL	2		
4	R68102	BUSHING	2		
5	R26650	DOWEL PIN	2		
6	RE39131	COVER	1		(MARKED R93105)
7	R71711	DOWEL PIN	1		

2D3

MANIFOLD AND PACKING
RXP7841 -UN-01JAN94



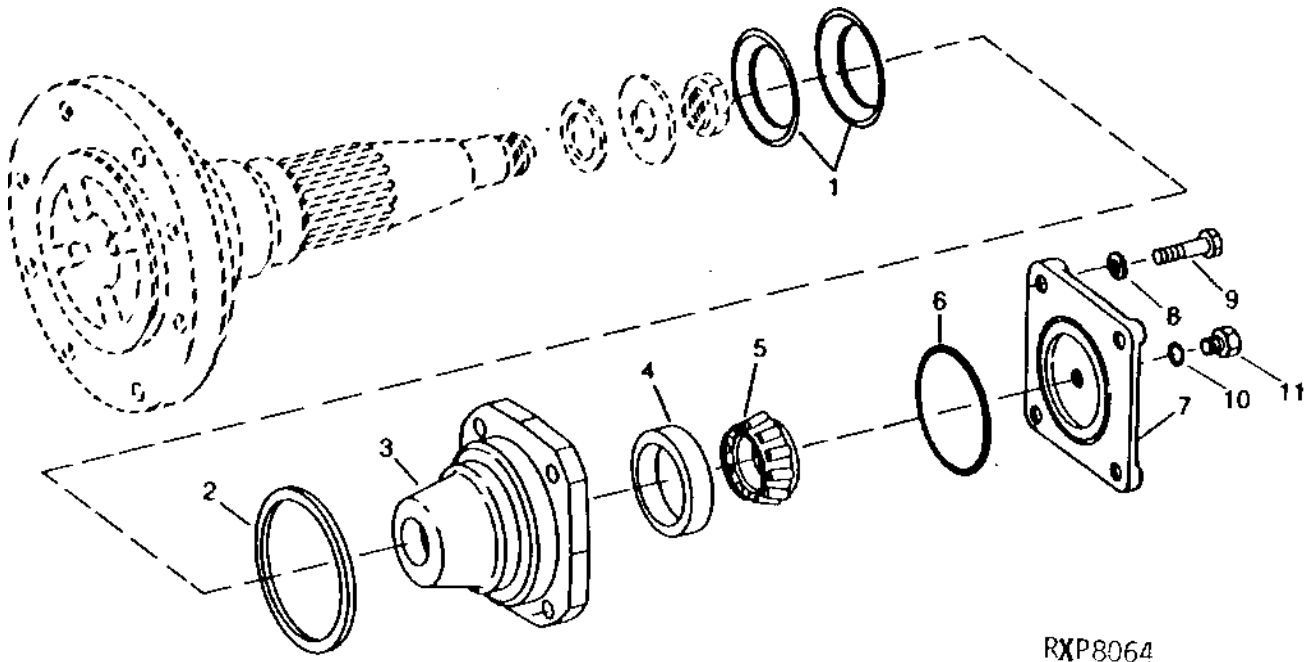
RXP7841

KEY	PART NO.	PART NAME	QTY	SERIAL NO.	REMARKS
1	R99377	MANIFOLD	1		
2	R74690	BACK-UP RING	2		
3	R74696	WASHER	1		
4	R74689	BACK-UP RING	2		
5	R74697	WASHER	1		
6	R74693	PACKING	1		(ALSO FURNISH R74694)
7	R74694	BACK-UP RING	1		(ALSO FURNISH R74693)

2D4

POWER TRAIN

QUILL, BEARING AND COVER
RXP8064 -UN-01JAN94

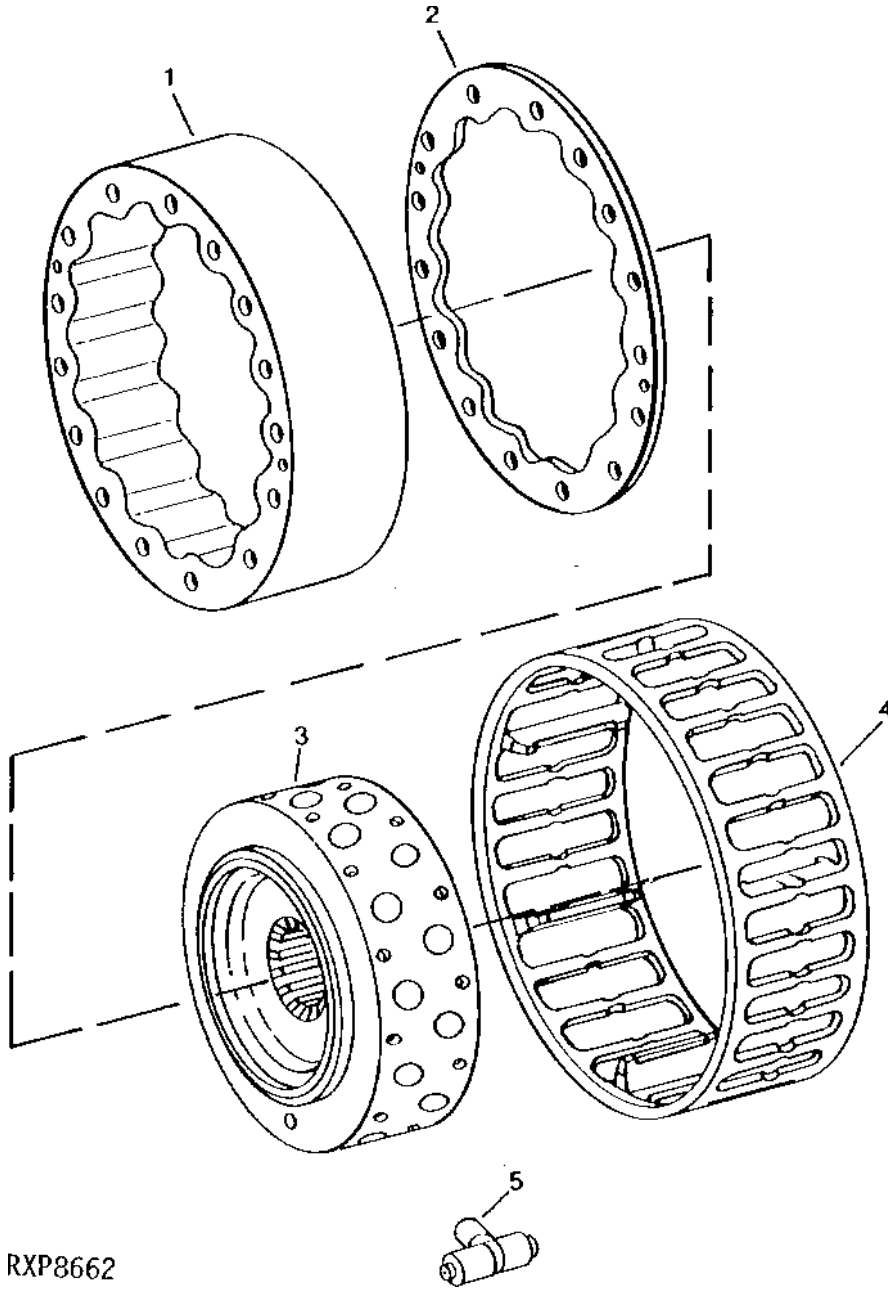


RXP8064

KEY	PART NO.	PART NAME	QTY	SERIAL NO.	REMARKS
1	R85588	WASHER	2		
2	R39876	PACKING	1		
3	R92104	BEARING HOUSING W/O BEARING	1		
4	JD9109	BEARING CUP	1		
5	JD9043	BEARING CONE	1		
6	E55758	O-RING	1		
7	R100727	COVER	1		
8	R69536	WASHER	6		
9	19H3065	CAP SCREW	6	3/8" X 2"	
10	R28782	O-RING	1		
11	R51031	FITTING	1		

2D5

CARRIER, PISTONS AND CAM
RXP8662 -UN-01JAN94



RXP8662

2D6

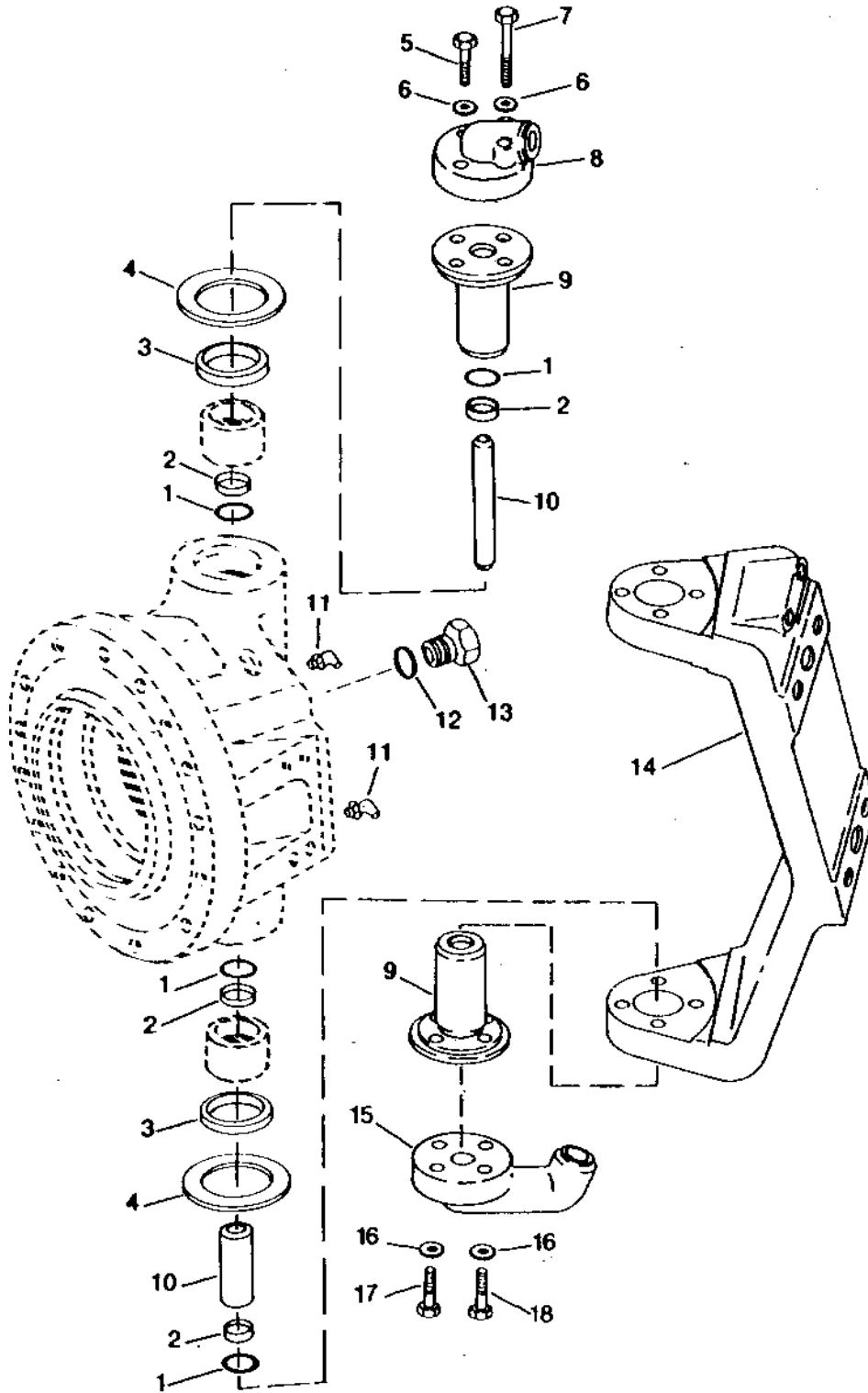
CARRIER, PISTONS AND CAM - CONTINUED

KEY	PART NO.	PART NAME	QTY	SERIAL NO.	REMARKS
1	R92148	CAM	1		
2	R93142	GASKET	1		
3	R88959	HYD. MOTOR PISTON CARRIER	1	(A)	
	R88960	HYD. MOTOR PISTON CARRIER	1	(B)	
4	R92979	GUIDE	1	(A)	
	R89012	GUIDE	1	(B)	
5	RE27837	HYD. MOTOR PISTON CARRIER	18	(A)	
	RE27837	HYD. MOTOR PISTON CARRIER	24	(B)	

(A) 1200 CC
(B) 1600 CC

2D7

YOKE, PIVOTS AND CAPS
RXP7667 -UN-01JAN94



RXP7667

2D8

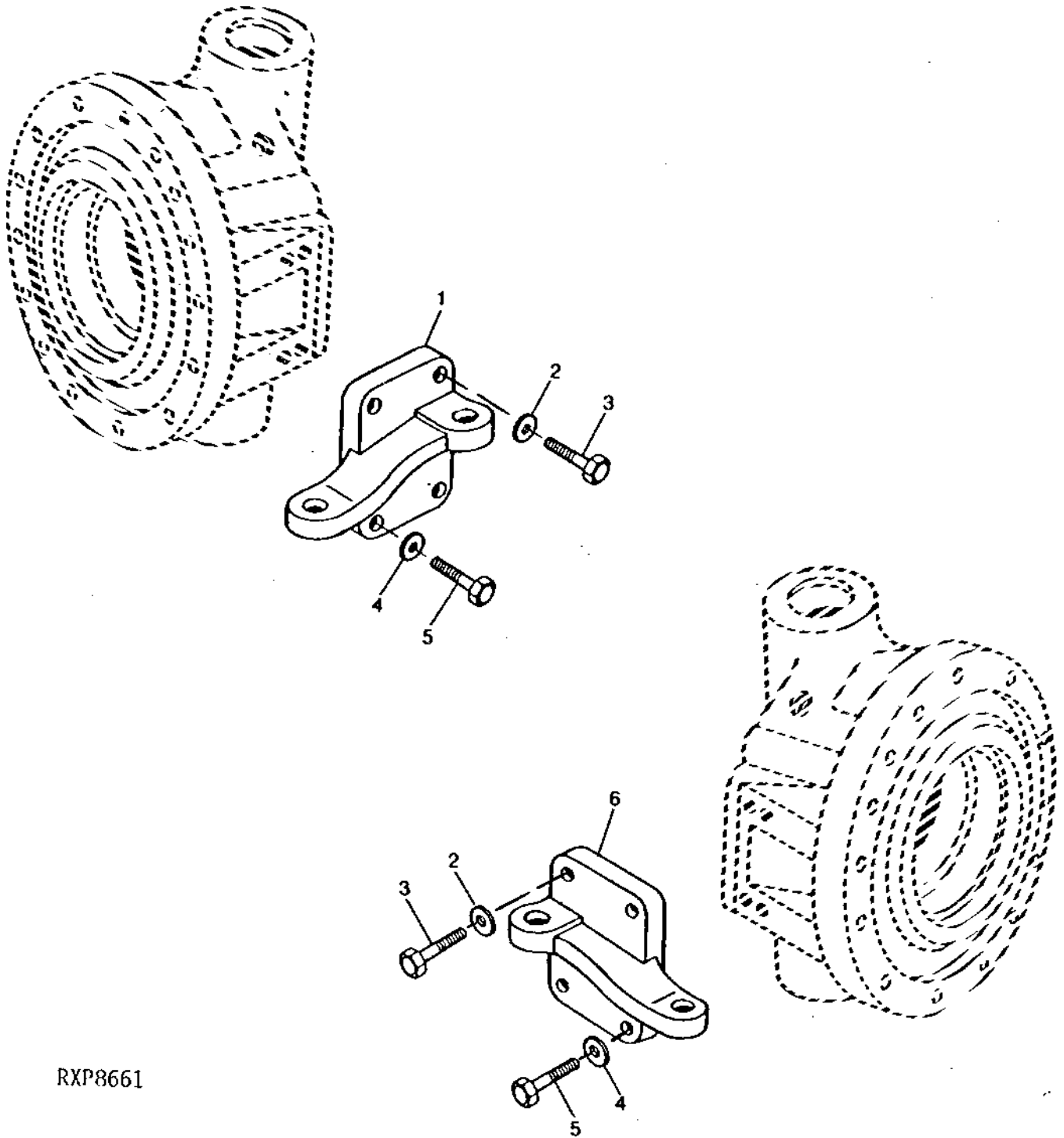
POWER TRAIN

YOKE, PIVOTS AND CAPS - CONTINUED

KEY	PART NO.	PART NAME	QTY	SERIAL NO.	REMARKS
1	U11647	O-RING	4		
2	R73102	BACK-UP RING	4		
3	AR86539	SEAL	2		
4	R60239	THRUST WASHER	2		
5	19H3267	CAP SCREW	2	3/8" X 1-5/8"	
6	R69536	WASHER	4		
7	19H2855	CAP SCREW	2	3/8" X 3-1/4"	
8	R85374	CAP	1		
9	R85376	PIN	2		
10	R85378	TUBE	2		
11	JD7799	LUBRICATION FITTING	3	65° X 0.840" LONG, (SUB FOR JD7847)	
12	R26375	O-RING	1		
13	R39112	FITTING	1		
14	R89015	YOKE	1		
15	R85373	CAP	1		
16	R69536	WASHER	4	10.500 X 18.500 X 3 MM	
17	19H3267	CAP SCREW	2	3/8" X 1-5/8"	
18	19H3031	CAP SCREW	2	3/8" X 2-1/2"	
..	H75423	PIN	2	22.073 X 19.812 MM (0.869" X 0.780")	HARDWARE FOR KEY 14
..	H144293	WASHER	4	20 X 45 X 10 MM (0.787" X 1.772" X 0.394")	HARDWARE FOR KEY 14
..	19H3126	CAP SCREW	4	19.050 X 57.150 MM (3/4" X 2-1/4")	HARDWARE FOR KEY 14

2D9

STEERING ARMS
RXP8661 -UN-01JAN94



RXP8661

2D10

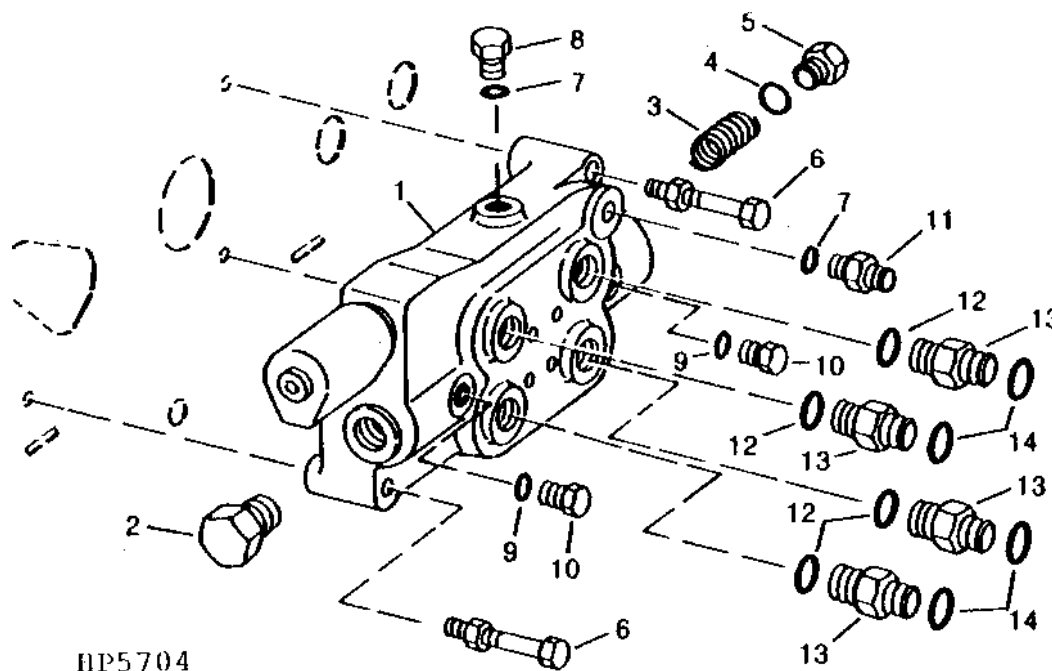
POWER TRAIN

STEERING ARMS - CONTINUED

KEY	PART NO.	PART NAME	QTY	SERIAL NO.	REMARKS
1	R92977	STEERING ARM	1		L.H.
2	U41353	WASHER	2		
3	19H2710	CAP SCREW	2		5/8" X 1-3/4"
4	R32214	WASHER	2		
5	19H2993	CAP SCREW	2		1/2" X 1-1/2"
6	R92978	STEERING ARM	1		R.H.

2D11

**CONTROL VALVE
(4-WHEEL DRIVE)**
HP5704 -UN-01JAN94

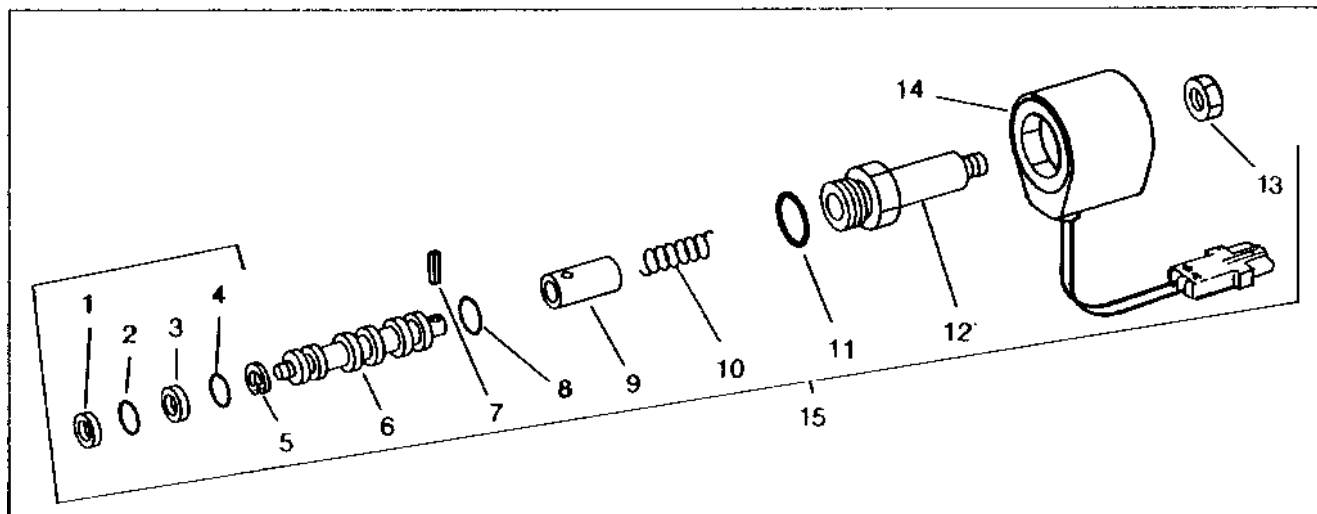


KEY	PART NO.	PART NAME	QTY	SERIAL NO.	REMARKS
1	AH128672	VALVE	1		CONTROL WITH SOLENOID
2	AU40993	FITTING	1		
3	R45182	SPRING	1		
4	R31674	O-RING	1		
5	AH84695	FITTING	1		
6	14M7298	FLANGE NUT	3	M8	
	19M7803	SCREW	3	M8 X 70	
7	R26448	O-RING	2		
8	R27218	FITTING PLUG	1		
9	R28782	O-RING	2		
10	R51031	FITTING	2		
11	38H1168	ADAPTER	1		
12	U12547	O-RING	4		
13	38H1329	ADAPTER	4		
14	T77932	O-RING	4		
..	BH79903	COMPLETE GOODS/SHIP. BUNDLE	1		VALVE ASSEMBLY AND AXLE HOSES
..	BH71746	COMPLETE GOODS/SHIP. BUNDLE	1		4-WHEEL DRIVE CONVERSION
..	BH80002	COMPLETE GOODS/SHIP. BUNDLE	1		4-WHEEL DRIVE CONVERSION

CONTROL VALVE SOLENOID

(4-WHEEL DRIVE)

HP2880 -UN-01JAN94



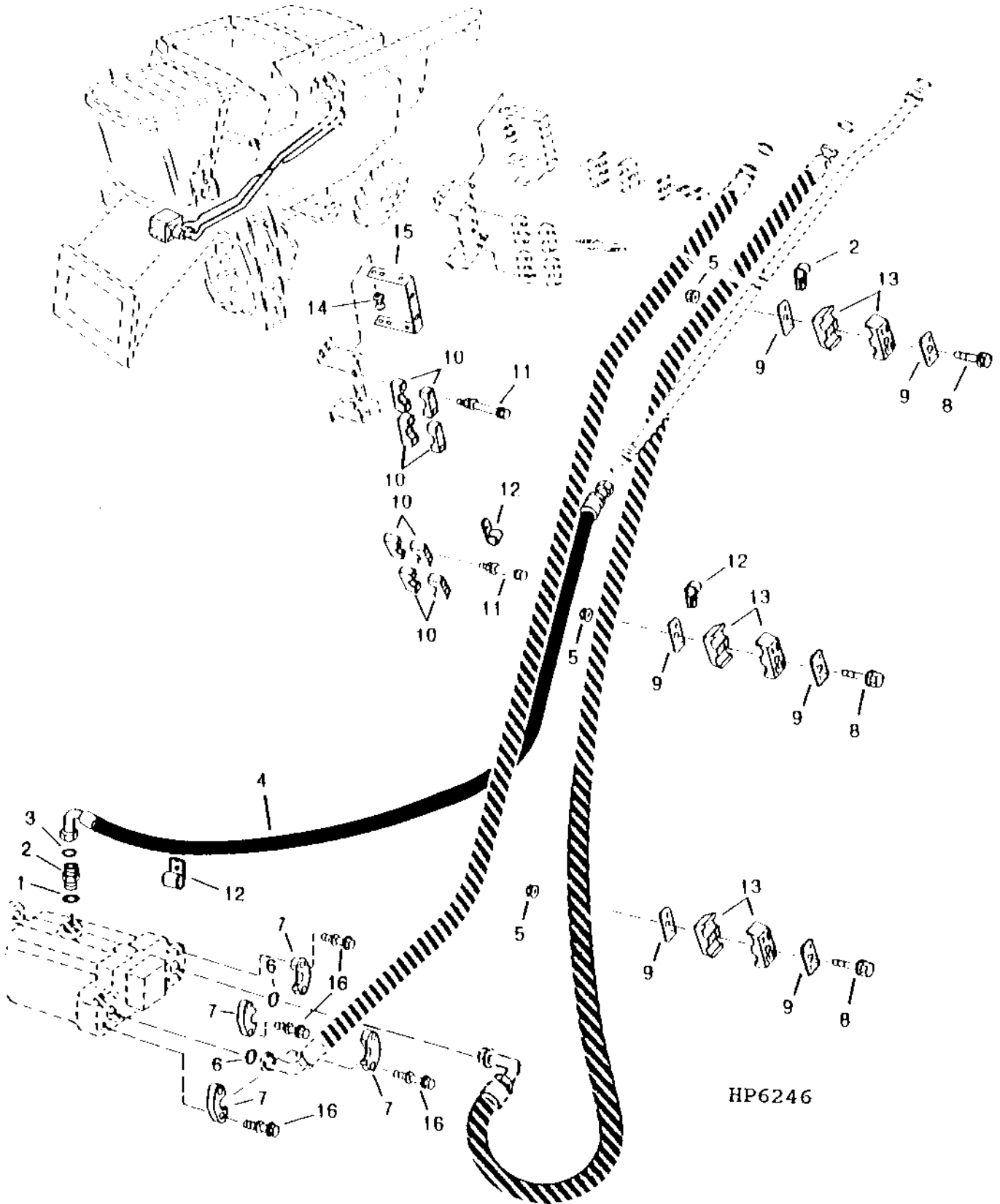
HP2880

16

KEY	PART NO.	PART NAME	QTY	SERIAL NO.	REMARKS
1	R42926	BACK-UP RING	1		
2	T77857	O-RING	1		
3	R45187	BACK-UP RING	1		
4	R45638	O-RING	1		
5	R46701	SNAP RING	1		
6	VALVE SPOOL	1		(KIT AH128655 OR AH130949)
7	34H227	SPRING PIN	1		3/32" X 1/2"
8	N31772	O-RING	1		
9	PLUNGER	1		(KIT AH128655 OR AH130949)
10	R64698	SPRING	1		
11	U12547	O-RING	1		
12	GUIDE	1		(KIT AH128655 OR AH130949)
13	M63707	LOCK NUT	1		
14	AH128654	ELECTRICAL COIL	1		
	R78053	PIN CONTACT CONNECTOR BODY	1		(PKG OF 3)
	R78059	ELECTRICAL PLUG	1		(PKG OF 40)
	R78061	PIN CONTACT	1		(PKG OF 40)
15	AH130949	SOLENOID VALVE	1		
16	AH128655	SOLENOID VALVE	1		
..	BH71746	COMPLETE GOODS/SHIP. BUNDLE	1		4-WHEEL DRIVE CONVERSION
..	BH80002	COMPLETE GOODS/SHIP. BUNDLE	1		4-WHEEL DRIVE CONVERSION

2D13

HYDROSTATIC DRIVE OIL LINES AND HOSES, LOWER
(TWO WHEEL DRIVE)
HP6246 -UN-04JAN96



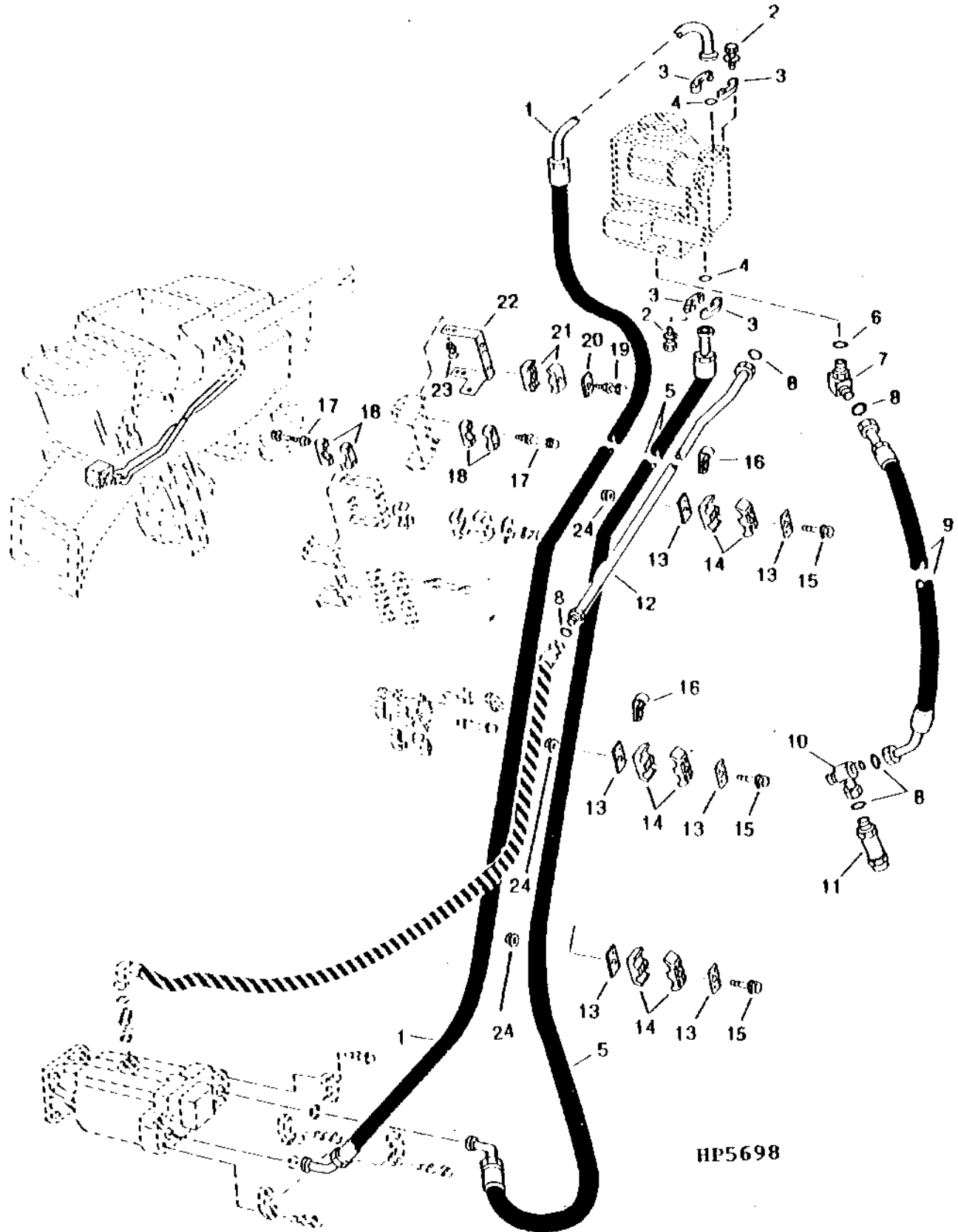
**HYDROSTATIC DRIVE OIL LINES AND HOSES, LOWER - CONTINUED
(TWO WHEEL DRIVE)**

KEY	PART NO.	PART NAME	QTY	SERIAL NO.	REMARKS
1	U12547	O-RING	1		23.470 X 2.946 MM (0.924" X 0.116")
2	38H1163	ADAPTER	1		
3	T77858	O-RING	4		18.771 X 1.778 MM (0.739" X 0.070")
4	AH142611	HYDRAULIC HOSE	1		1-3/16" X 1 924 MM (75-3/4") X 1-3/16" (CASE DRAIN)
5	14M7298	FLANGE NUT	3		M8
6	T78313	O-RING	6		32.918 X 3.531 MM (1.296" X 0.139")
7	H122182	EXTERNAL HALF COUPLER	8		
8	19M7970	SCREW	3		M8 X 100
9	H114901	PLATE	6		
10	H150223	HOSE CLAMP	8		
11	19M8039	SCREW	13		M8 X 80
	14M7396	LOCK NUT	13		M8
12	T72393	CLAMP	4		
13	H150222	HOSE CLAMP	6		(RD. HEAD)
14	03M7184	BOLT	8		M8 X 20 (RD. HEAD)
	14M7396	LOCK NUT	8		M8
15	H131115	BRACKET	1		
16	19M7913	SCREW	8		M8 X 90
	14M7298	FLANGE NUT	8		M8
17	19H1740	CAP SCREW	8		11.125 X 44.450 MM
	12H293	LOCK WASHER	8		11.113 MM

2D15

HYDROSTATIC DRIVE OIL LINES AND HOSES, LOWER (TWO WHEEL DRIVE)

HP5698 -UN-01JAN94



HP5698

2D16

POWER TRAIN

**HYDROSTATIC DRIVE OIL LINES AND HOSES, LOWER - CONTINUED
(TWO WHEEL DRIVE)**

KEY	PART NO.	PART NAME	QTY	SERIAL NO.	REMARKS
1	AH143035	HYDRAULIC HOSE	1		1" X 5 000 MM (196-3/4") X 1", (REVERSE PRESSURE)
2	19H1740	CAP SCREW	8		7/16" X 1-3/4"
	12H293	LOCK WASHER	8		7/16"
3	H122182	EXTERNAL HALF COUPLER	4		
4	T78313	O-RING	2		32.918 X 3.531 MM
5	AH143352	HYDRAULIC HOSE	4		1" X 5 175 MM (203-3/4") X 1", (FORWARD PRESSURE)
6	U12547	O-RING	1		0.924" X 0.116"
7	38H1007	ELBOW FITTING	1		
8	T77858	O-RING	4		18.771 X 1.778 MM (0.739" X 0.070")
9	AH124008	HYDRAULIC HOSE	1		1-3/16" X 725 MM (28-1/2") X 1-3/16", (UPPER DRAIN HOSE)
10	38H1041	TEE FITTING	1		
11	AH118337	CHECK VALVE	1		
12	AH127881	OIL LINE	1		
13	H114901	PLATE	6		
14	H150222	HOSE CLAMP	6		
15	19M7970	SCREW	3		M8 X 100
16	T72393	CLAMP	2		
17	19M8039	SCREW	5		M8 X 80
	14M7298	FLANGE NUT	5		M8
18	H150223	HOSE CLAMP	4		
19	19M7979	SCREW	1		M8 X 55
	14M7298	FLANGE NUT	2		M8
20	H112567	PLATE	1		
21	H111730	CLAMP	2		
22	H133659	BRACKET	1		
23	03M7184	BOLT	4		M8 X 20
	14M7396	LOCK NUT	4		M8
24	14M7298	FLANGE NUT	3		M8

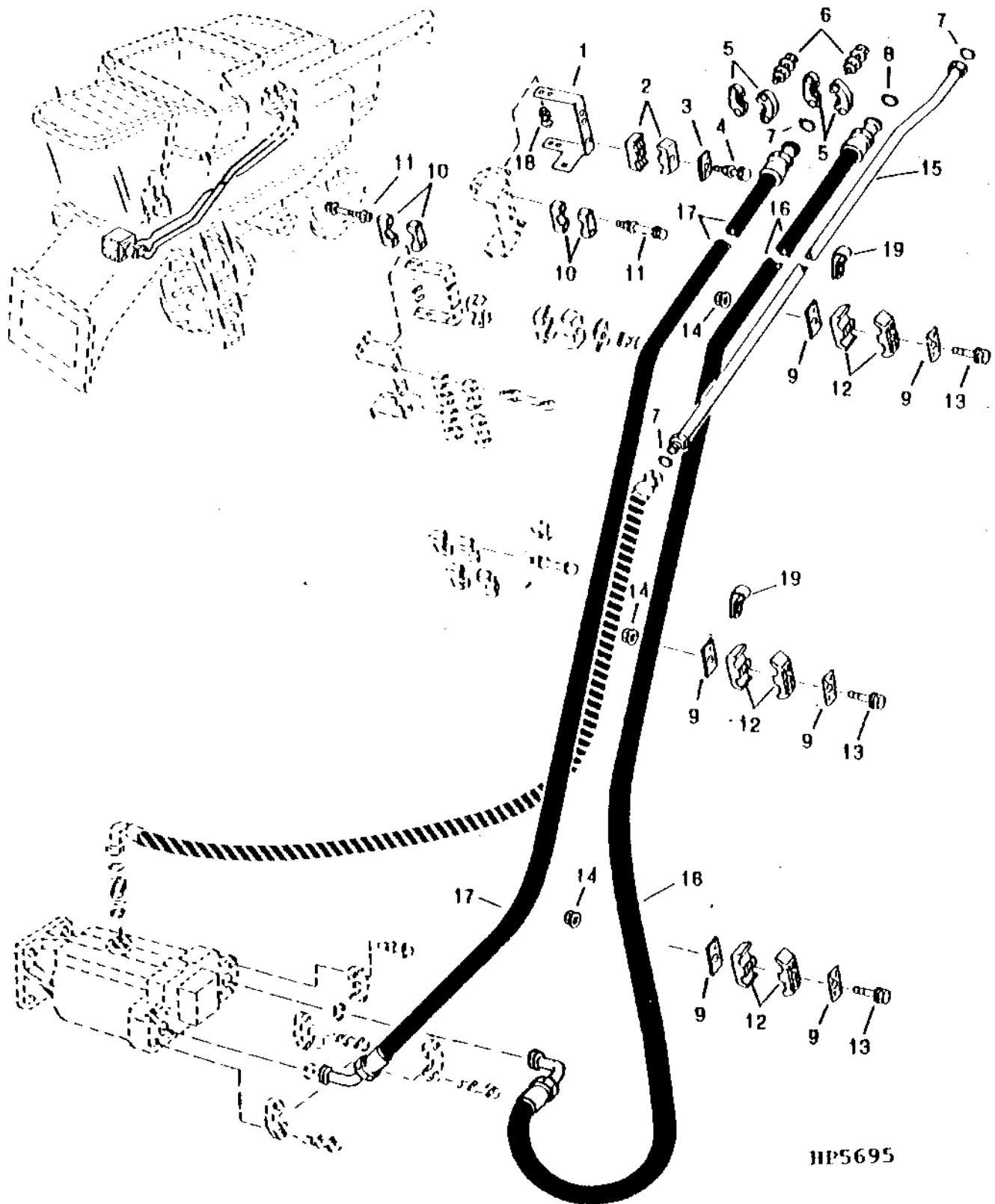
2D17

POWER TRAIN

HYDROSTATIC DRIVE OIL LINES AND HOSES, LOWER

(FOUR WHEEL DRIVE)

HP5695 -UN-01JAN94



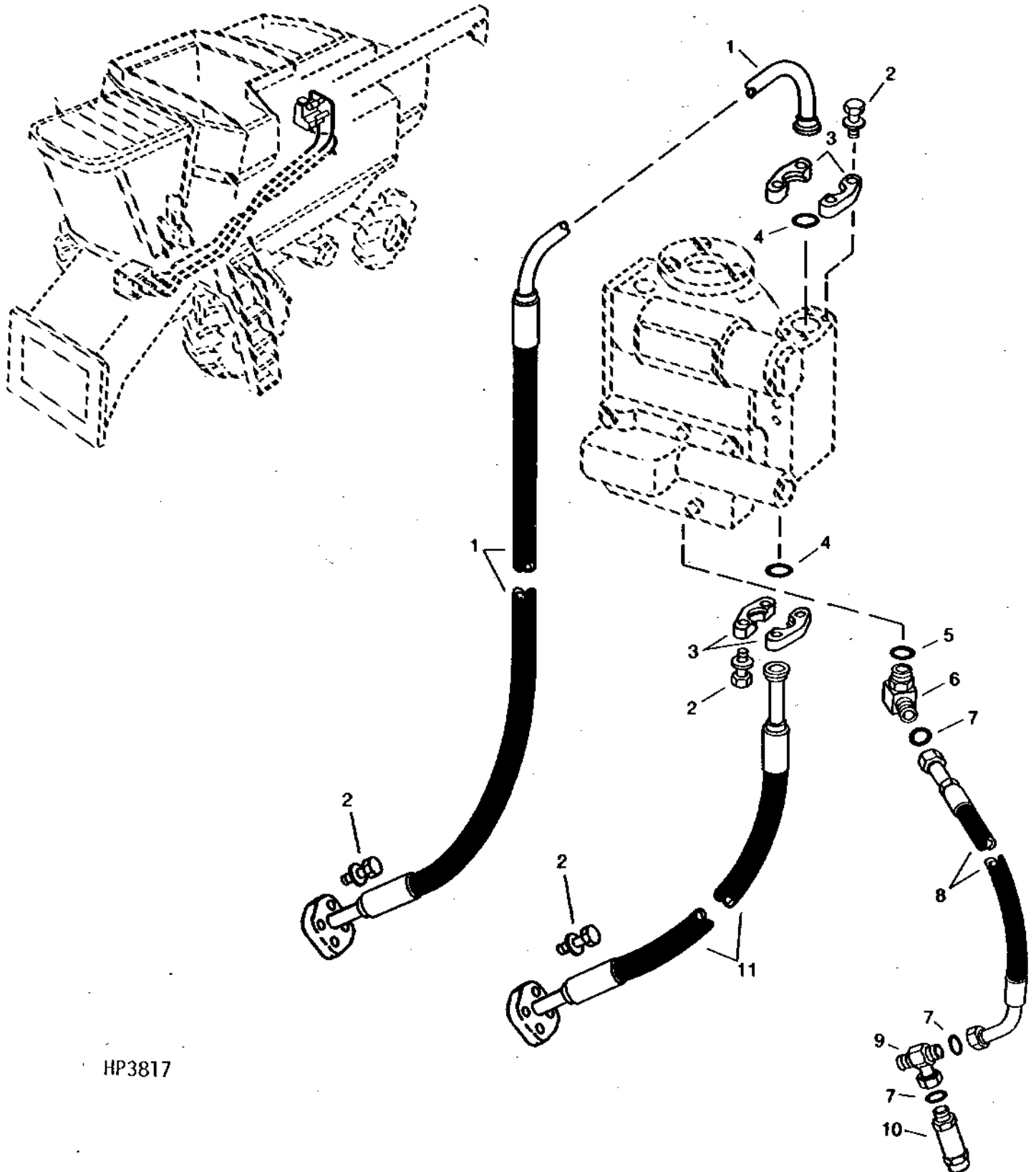
HP5695

**HYDROSTATIC DRIVE OIL LINES AND HOSES, LOWER - CONTINUED
(FOUR WHEEL DRIVE)**

KEY	PART NO.	PART NAME	QTY	SERIAL NO.	REMARKS
1	H133659	BRACKET	1		
2	H111730	CLAMP	2		
3	H112567	PLATE	1		
4	19M7979	SCREW	1	M8 X 55	
	14M7298	FLANGE NUT	2	M8	
5	H122182	EXTERNAL HALF COUPLER	4		
6	19H3465	CAP SCREW	8	7/16" X 3"	
	T105740	WASHER	16		
	14H1047	NUT	8	7/16"	
7	T77858	O-RING	2	18.771 X 1.778 MM (0.739" X 0.070")	
8	T78313	O-RING	2	32.918 X 3.531 MM (1.296" X 0.139")	
9	H114901	PLATE	6		
10	H150223	HOSE CLAMP	4		
11	19M8039	SCREW	5	M8 X 80	
	14M7298	FLANGE NUT	5	M8	
12	H150222	HOSE CLAMP	6		
13	19M7970	SCREW	3	M8 X 100	
14	14M7298	FLANGE NUT	3	M8	
15	AH127881	OIL LINE	4		
16	AH143353	HYDRAULIC HOSE	1	1" X 4 375 MM (172-1/4") X 1", FORWARD PRESSURE	
17	AH142758	HYDRAULIC HOSE	1	1" X 3 875 MM (152-1/2") X 1", REVERSE PRESSURE	
18	03M7184	BOLT	4	M8 X 20	
	14M7396	LOCK NUT	4	M8	
19	T72393	CLAMP	2		
..	BH79964	COMPLETE GOODS/SHIP. BUNDLE	1		4-WHEEL DRIVE HYDRAULIC HOSE CONVERSION

HYDROSTATIC DRIVE HOSES, UPPER
(FOUR WHEEL DRIVE)

HP3817 -UN-01JAN94



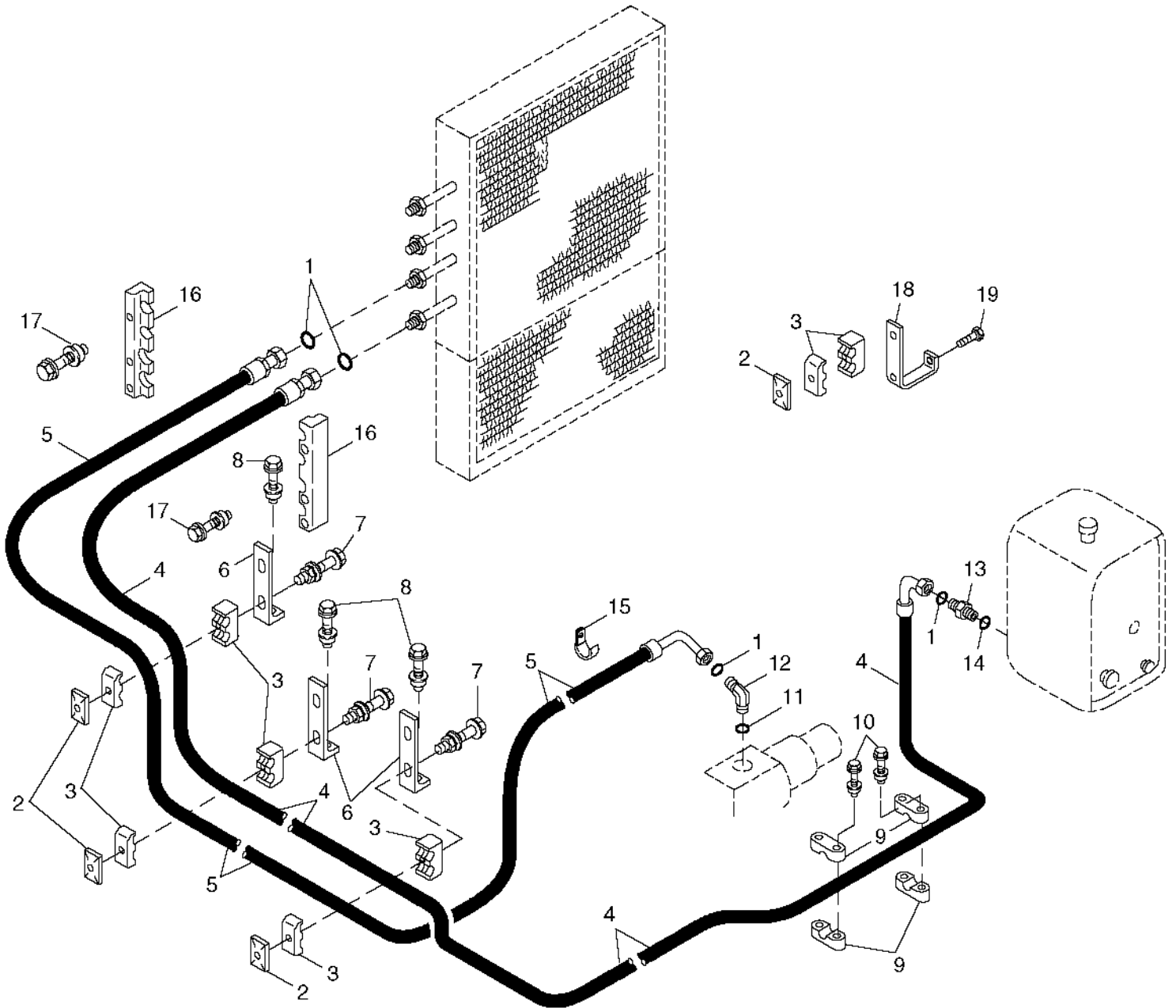
HP3817

**HYDROSTATIC DRIVE HOSES, UPPER - CONTINUED
(FOUR WHEEL DRIVE)**

KEY	PART NO.	PART NAME	QTY	SERIAL NO.	REMARKS
1	AH144192	HYDRAULIC HOSE	1		1" X 975 MM (38-1/2") X 1"
2	19H1740	CAP SCREW	8		7/16" X 1-3/4"
	12H293	LOCK WASHER	8		7/16"
3	H122182	EXTERNAL HALF COUPLER	4		
4	T78313	O-RING	2		32.918 X 3.531 MM (1.296" X 0.139")
5	U12547	O-RING	1		23.470 X 2.946 MM (0.924" X 0.116")
6	38H1007	ELBOW FITTING	1		
7	T77858	O-RING	3		18.771 X 1.778 MM (0.739" X 0.070")
8	AH124008	HYDRAULIC HOSE	1		1-3/16" X 725 MM (28-1/2") X 1-3/16" (UPPER CASE DRAIN)
9	38H1041	TEE FITTING	1		
10	AH118337	CHECK VALVE	1		
11	AH141544	HYDRAULIC HOSE	1		1-7/16" X 700 MM (27-1/2") X 1-7/16" (PRESSURE)(FOR POWERED REAR WHEELS)
	AH144194	HOSE	1		1" X 4 785 MM (188-1/2") X 1", (PRESSURE) (FOR NON POWERED REAR WHEELS)
..	BH79964	COMPLETE GOODS/SHIP. BUNDLE	1		4-WHEEL DRIVE HYDRAULIC HOSE CONVERSION

HYDROSTATIC OIL COOLER LINES AND HOSES

HP8496 -UN-22APR99



HP8496

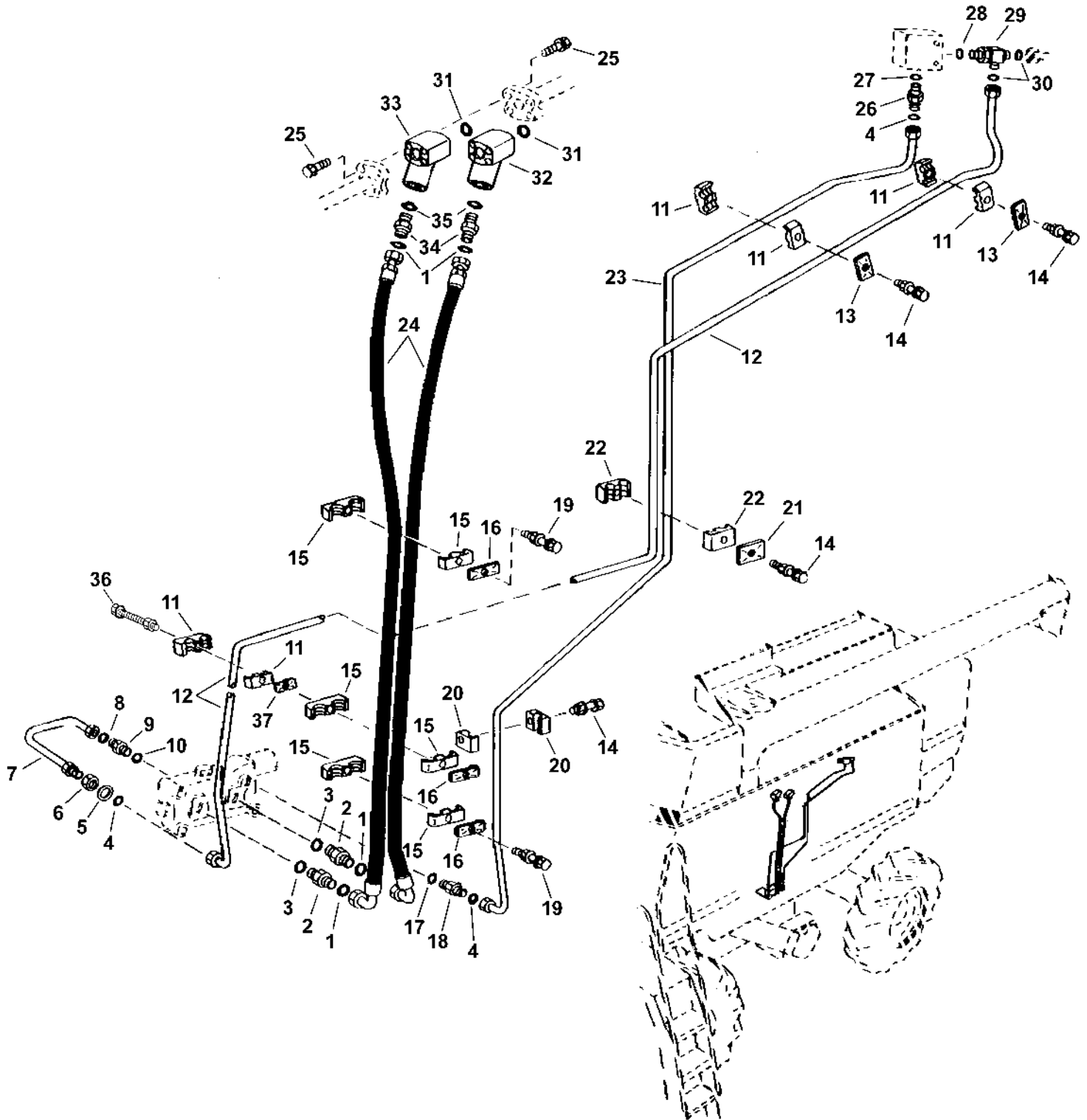
HYDROSTATIC OIL COOLER LINES AND HOSES - CONTINUED

KEY	PART NO.	PART NAME	QTY	SERIAL NO.	REMARKS
1	T77858	O-RING	4		
2	H114901	PLATE	4		
3	H150982	CLAMP	6		
4	AH145235	HYDRAULIC HOSE	1		
5	AH145237	HYDRAULIC HOSE	1		
6	H150980	BRACKET	4		
7	19M8039	SCREW	3	M8 X 80	
	14M7298	FLANGE NUT	3	M8	
8	19M7866	SCREW	3	M8 X 20	
	14M7298	FLANGE NUT	3	M8	
9	H145247	HALF CLAMP	4		
10	19M7801	SCREW	2	M8 X 60	
	14M7298	FLANGE NUT	2	M8	
11	U12547	O-RING	1	23.470 X 2.946 MM	
12	38H1163	ADAPTER	1		
13	38H1194	ADAPTER	1		
14	R29936	O-RING	1	29.743 X 2.946 MM (1.171" X 0.116")	
15	AH90990	CLIP	1		
16	H151585	CLAMP	2		
17	19M8318	SCREW	6	M8 X 45	
	14M7298	FLANGE NUT	6	M8	
18	H163211	BRACKET	1		
19	N14822	SELF-LOCKING SCREW	1		

2D23

POWER TRAIN

4-WHEEL DRIVE HYDRAULIC LINES AND HOSES, L.H. SIDE HP7512 -UN-20APR98



HP7512

2D24

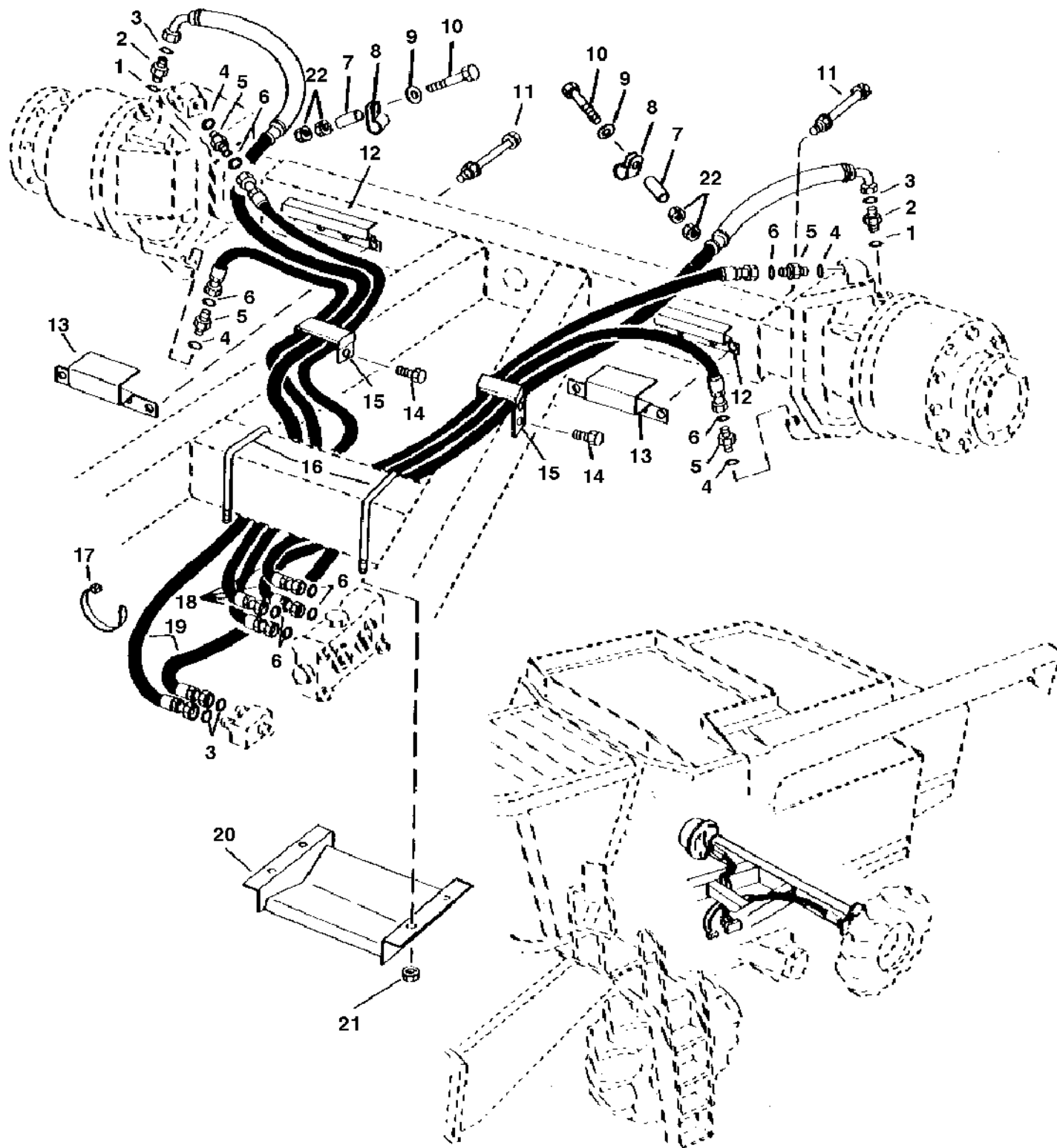
POWER TRAIN

4-WHEEL DRIVE HYDRAULIC LINES AND HOSES, L.H. SIDE - CONTINUED

KEY	PART NO.	PART NAME	QTY	SERIAL NO.	REMARKS
1	T77858	O-RING	4		
2	38H1163	ADAPTER	2		
3	U12547	O-RING	2		
4	T77613	O-RING	3		
5	24M7114	WASHER	1		19 X 30 X 4 MM
6	T81029	NUT	1		17.475 MM (11/16")
7	AH130611	HYDRAULIC LINE	1		
8	T77814	O-RING	1		
9	38H1168	ADAPTER	1		
10	R26448	O-RING	1		
11	H114865	CLAMP	6		
12	AH130447	OIL LINE	1		(RETURN)
13	H112567	PLATE	2		
14	14M7298	FLANGE NUT	4		M8
	37M7187	SCREW	4		M8 X 1.25 X 35
15	H114898	CLAMP	6		
16	H114901	PLATE	3		
17	R28782	O-RING	1		
18	38H1309	ADAPTER	1		
19	19M7396	CAP SCREW	2		M16 X 45
	14M7170	LOCK NUT	2		M16
20	H127589	CLAMP	2		
21	H121163	COVER	1		
22	H128515	CLAMP	2		
23	AH135620	OIL LINE	1		(PRESSURE)
24	AH139802	HYDRAULIC HOSE	2		
25	19M8162	CAP SCREW	16		M10 X 40
26	38H1160	ADAPTER	1		
27	R26448	O-RING	1		
28	R26375	O-RING	1		
29	38H1024	TEE FITTING	1		
30	T77857	O-RING	2		
31	T78313	O-RING	2		
32	AH133941	MANIFOLD	1		42 GPM, FWD PRESS.
33	AH133942	MANIFOLD	1		30 GPM, REV PRESS.
34	38H1329	ADAPTER	2		
35	R29936	O-RING	2		
36	14M7298	FLANGE NUT	1		M8
	19M8039	SCREW	1		M8 X 80
37	H131163	STRAP	1		

**4-WHEEL DRIVE LINES AND HOSES
(FROM FLOW CONTROL VALVE TO CAM LOBE MOTORS)**

HP6822 -UN-12SEP97



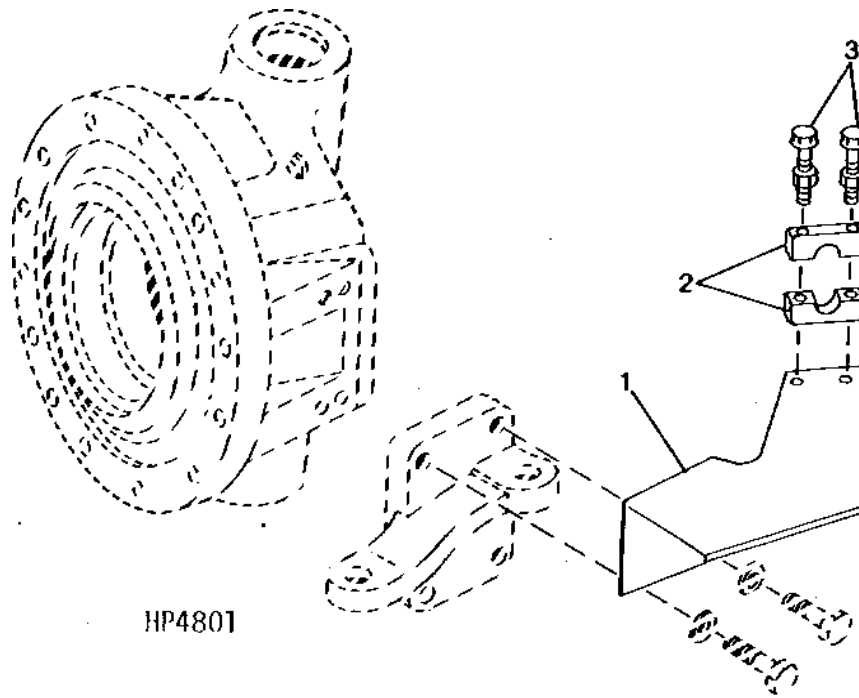
HP6822

**4-WHEEL DRIVE LINES AND HOSES - CONTINUED
(FROM FLOW CONTROL VALVE TO CAM LOBE MOTOR)**

KEY	PART NO.	PART NAME	QTY	SERIAL NO.	REMARKS
1	R26375	O-RING	2		
2	38H1178	ADAPTER	2		
3	T77858	O-RING	4		
4	U12547	O-RING	4		
5	38H1329	ADAPTER	4		
6	T77932	O-RING	8		
7	T25473	SPACER	2		
8	H145247	HALF CLAMP	2		
9	24H1237	WASHER	2		25/64" X 7/8" X 0.060"
10	19M7801	SCREW	2		M8 X 60
11	H121472	BOLT	4		
	14M7300	FLANGE NUT	4		M20
12	H131996	SHIELD	2		
13	H133671	SHIELD	2		
14	37M7092	SCREW	6		M8 X 16
15	AH117418	STRAP	2		
16	H133669	U-BOLT	2		
17	H113196	TIE BAND	1		
18	AH143407	HYDRAULIC HOSE	4		1" X 3 375 MM (132-3/4") X 1"
19	AH139853	HYDRAULIC HOSE	2		1-3/16" X 3 900 MM (153-1/2") X 1-3/16" (CASE DRAIN)
	AH139854	HYDRAULIC HOSE	2		1-3/16" X 4 025 MM (158-1/2") X 1-3/16", (GRAIN)
20	AH128757	SHIELD	1		
21	14M7296	FLANGE NUT	4		M10
22	14M7298	FLANGE NUT	4		M8
..	T43512	SEALANT	1		ON KEY 10 AND HOLE
..	BH71746	COMPLETE GOODS/SHIP. BUNDLE	1		(4-WHEEL DRIVE CONVERSION)
..	BH71883	COMPLETE GOODS/SHIP. BUNDLE	1		(4-WHEEL DRIVE CONVERSION)
..	BH78881	COMPLETE GOODS/SHIP. BUNDLE	1		(SHIELDS)
..	BH80002	COMPLETE GOODS/SHIP. BUNDLE	1		(4-WHEEL DRIVE CONVERSION)

MUD SHIELDS - POWERED REAR WHEELS

HP4801 -UN-01JAN94



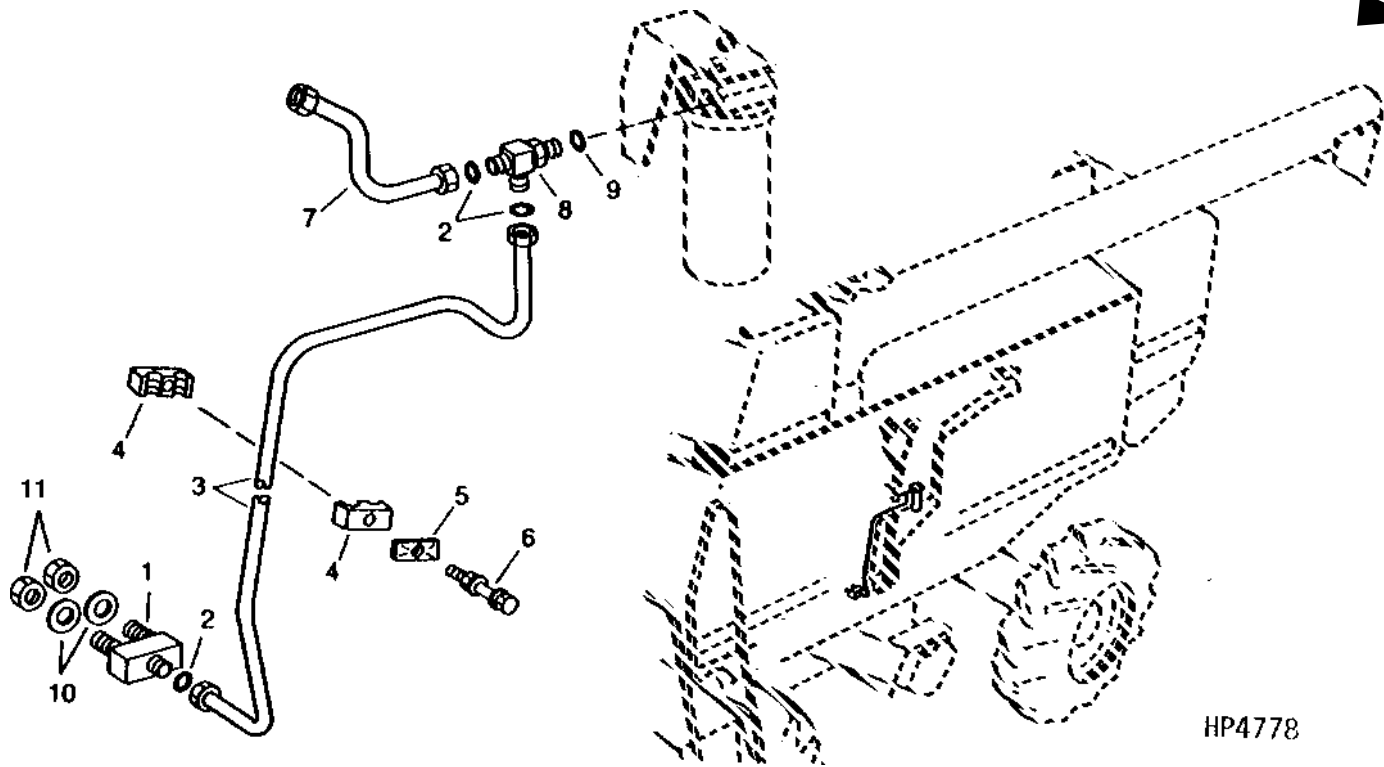
HP4801

KEY	PART NO.	PART NAME	QTY	SERIAL NO.	REMARKS
1	H146088	SHIELD	1		
	H146089	SHIELD	1		
2	H145247	HALF CLAMP	2		
3	19M7801	SCREW	2	M8 X 60	
	14M7298	FLANGE NUT	1	M8	

AH140951 (COMPLETE GOODS) MUDSHIELDS

4-WHEEL DRIVE CASE DRAIN HYDRAULIC LINES

HP4778 -UN-01JAN94

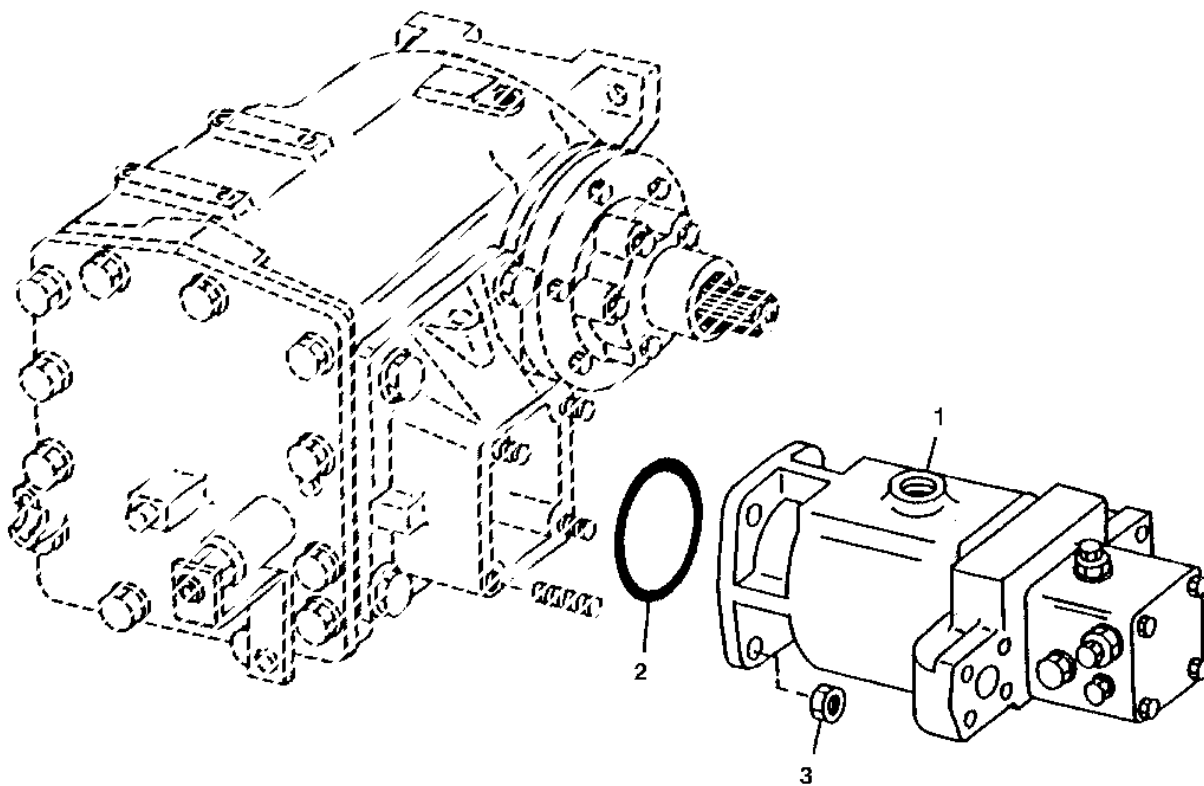


HP4778

KEY	PART NO.	PART NAME	QTY	SERIAL NO.	REMARKS
1	AH128692	MANIFOLD	1		(CASE DRAIN)
2	T77858	O-RING	3		
3	AH130449	HYDRAULIC LINE	1		(CASE DRAIN RETURN)
4	H114865	CLAMP	2		
5	H112567	PLATE	1		
6	03M7245	BOLT	1	M8 X 55	
	14M7298	FLANGE NUT	1	M8	
7	AH126169	OIL LINE	1		(RETURN) (FROM VALVE STACK TO HYD FILTER)
8	38H1438	TEE FITTING	1		
9	R29936	O-RING	1		
10	28H1152	BUSHING	2		1.278" X 1.660" X 3/8"
11	T78707	NUT	2		30.175 MM (1-3/16")
..	BH71746	COMPLETE GOODS/SHIP. BUNDLE	1		4-WHEEL DRIVE CONVERSION
..	BH71883	COMPLETE GOODS/SHIP. BUNDLE	1		4-WHEEL DRIVE CONVERSION
..	BH80002	COMPLETE GOODS/SHIP. BUNDLE	1		4-WHEEL DRIVE CONVERSION
..	BH79904	COMPLETE GOODS/SHIP. BUNDLE	1		4-WHEEL DRIVE CONVERSION

2E5

HYDROSTATIC DRIVE MOTOR
HP6551 -UN-23AUG96



HP6551

2E6

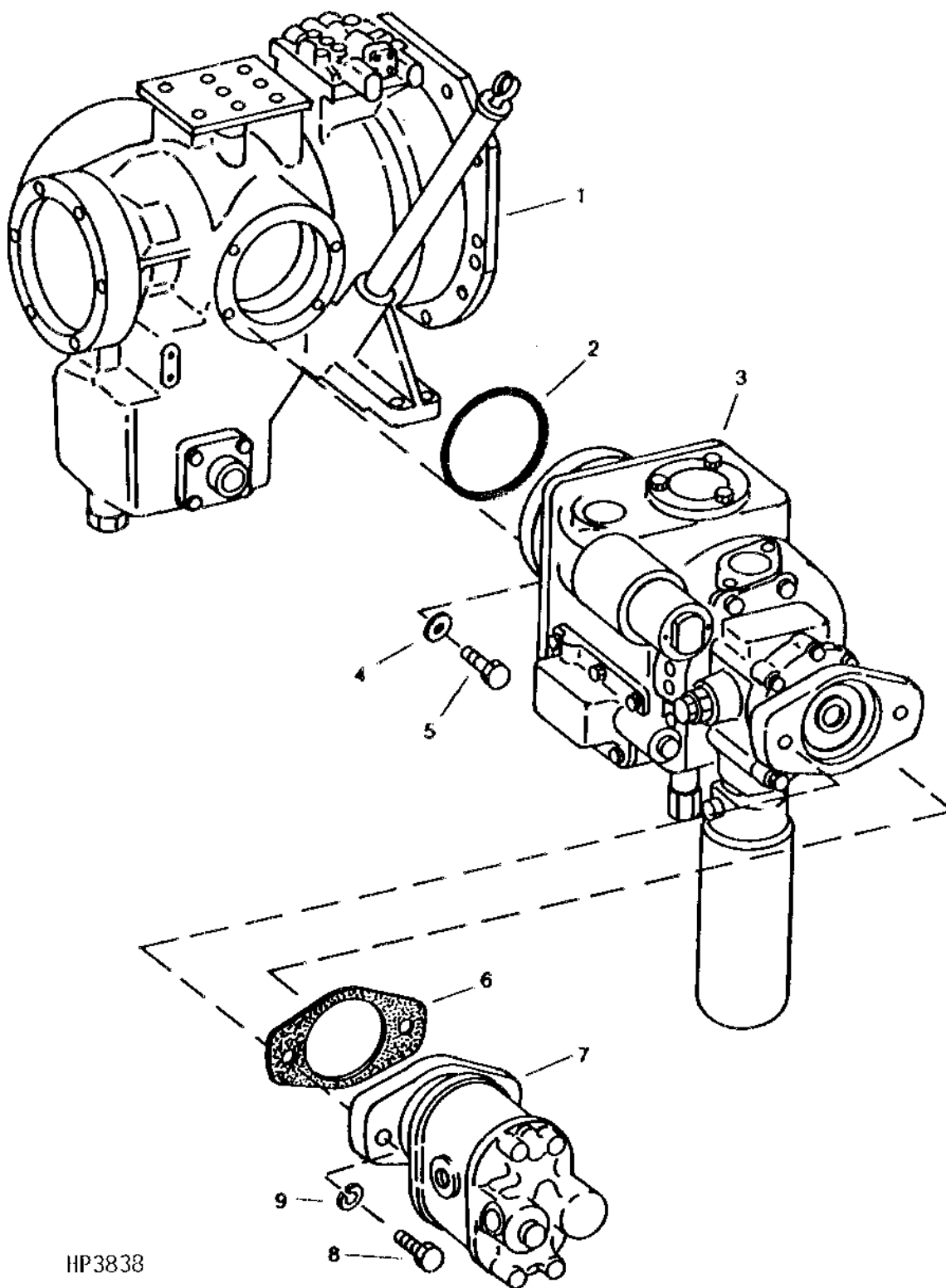
POWER TRAIN

HYDROSTATIC DRIVE MOTOR - CONTINUED

KEY	PART NO.	PART NAME	QTY	SERIAL NO.	REMARKS
1	AH131310	MOTOR	1		RING AND PINION
2	R63308	O-RING	1		
3	14M7299	FLANGE NUT	4		M12

ENGINE GEARCASE - HYDROSTATIC DRIVE PUMP - MAIN HYDRAULIC PUMP CONNECTING HARDWARE

HP3838 -UN-01JAN94



HP3838

2E8

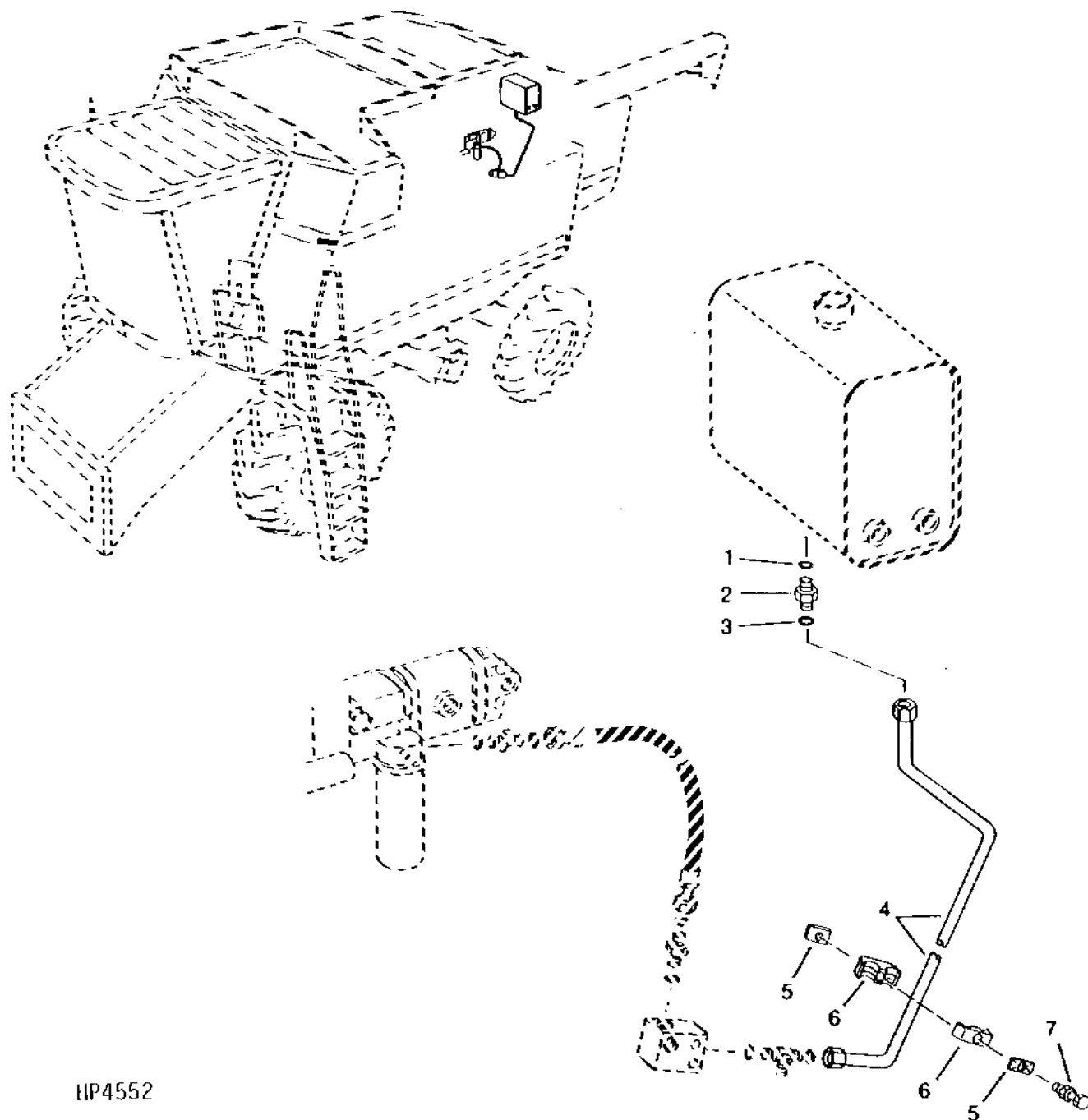
POWER TRAIN

ENGINE GEARCASE - HYDROSTATIC DRIVE PUMP - MAIN HYDRAULIC PUMP CONNECTING HARDWARE-CONTINUED

KEY	PART NO.	PART NAME	QTY	SERIAL NO.	REMARKS
1	AH139323	GEAR CASE	1		
2	R63308	O-RING	1		
3	AH131305	PUMP	1		(SUB AH160785 AND E65288) RING AND PINION
	AH131385	HYDRAULIC PUMP	1		(SUB AH160790 AND E65288)
	AH160790	HYDRAULIC PUMP	1		
	AH160785	PUMP	1		REMANUFACTURED
4	T29342	WASHER	1		
5	19M7493	CAP SCREW	1		M12 X 40
6	H131121	GASKET	1		(SHOWN) (USE WITH AH131305 AND AH131385)
	E65288	O-RING	1		(USE WITH AH160785 AND AH160790)
7	AH131175	HYDRAULIC PUMP	1		PLANETARY
	AH131183	HYDRAULIC PUMP	1		RING AND PINION
8	19H1732	CAP SCREW	4		3/8" X 1-1/4"
9	12H304	LOCK WASHER	4		3/8"

RETURN LINE TO RESERVOIR - 4-WHEEL DRIVE

HP4552 -UN-01JAN94



HP4552

2E10

POWER TRAIN

RETURN LINE TO RESERVOIR - 4-WHEEL DRIVE - CONTINUED

KEY	PART NO.	PART NAME	QTY	SERIAL NO.	REMARKS
1	R26448	O-RING	1		
2	38H1160	ADAPTER	1		
3	T77613	O-RING	1		
4	AH130445	HYDRAULIC LINE	1		
5	H112567	PLATE	2		
6	H114865	CLAMP	2		
7	19M7801	SCREW	1	M8 X 60	
	14M7298	FLANGE NUT	1	M8	

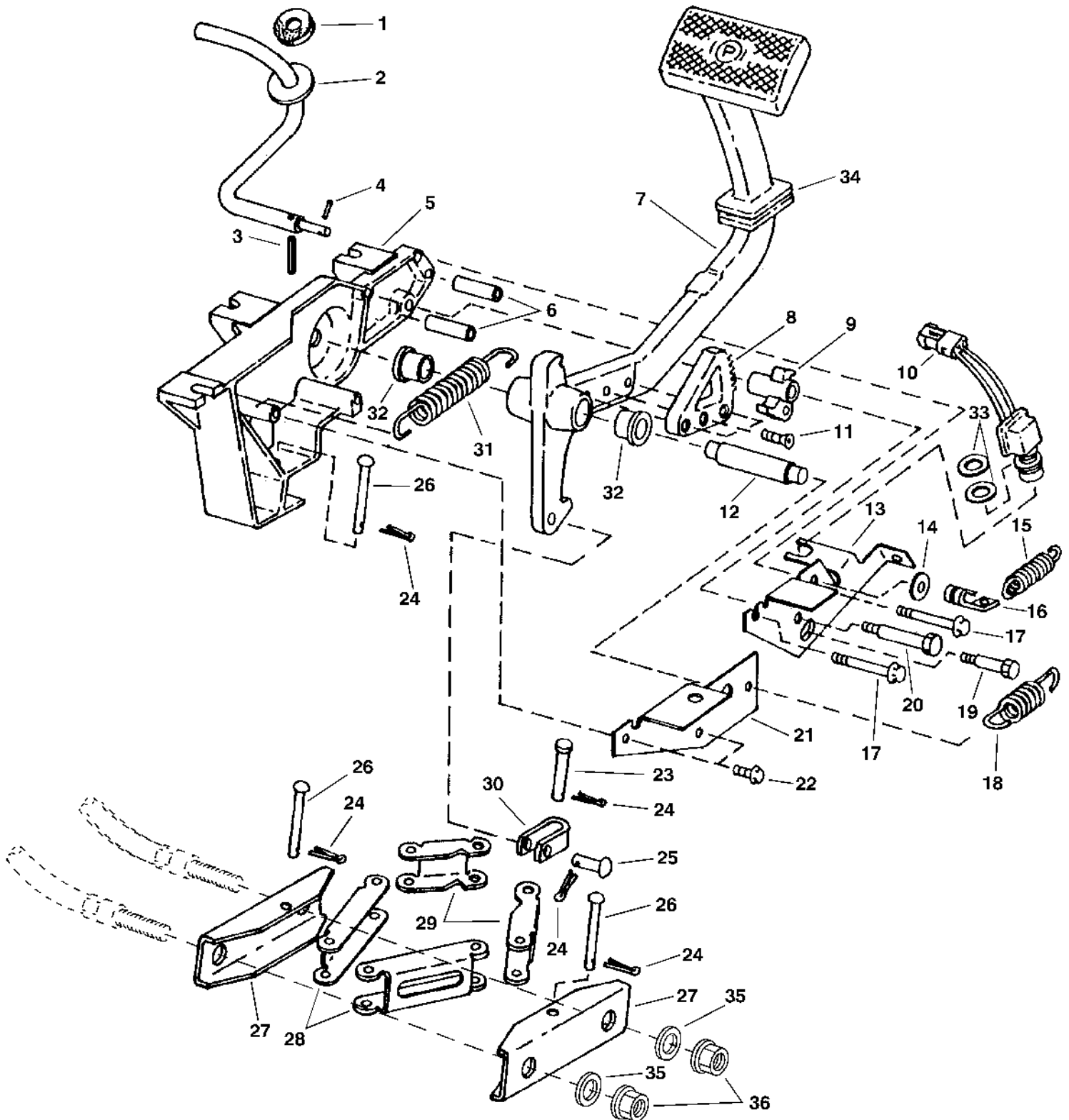
MEMORANDA

MEMORANDA

2E13

PARKING BRAKE PEDAL AND SEAL

HP6710 -UN-14MAY97



HP6710

2E14

STEERING AND BRAKES

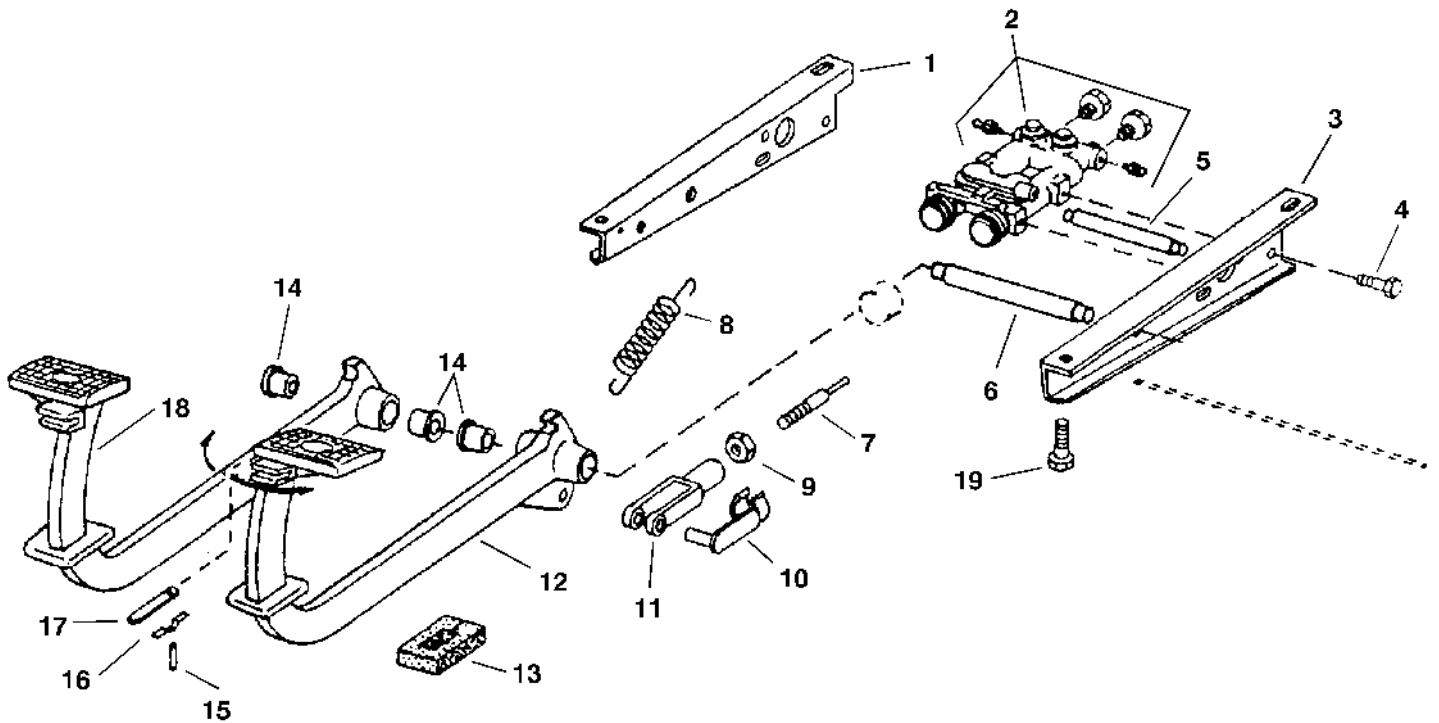
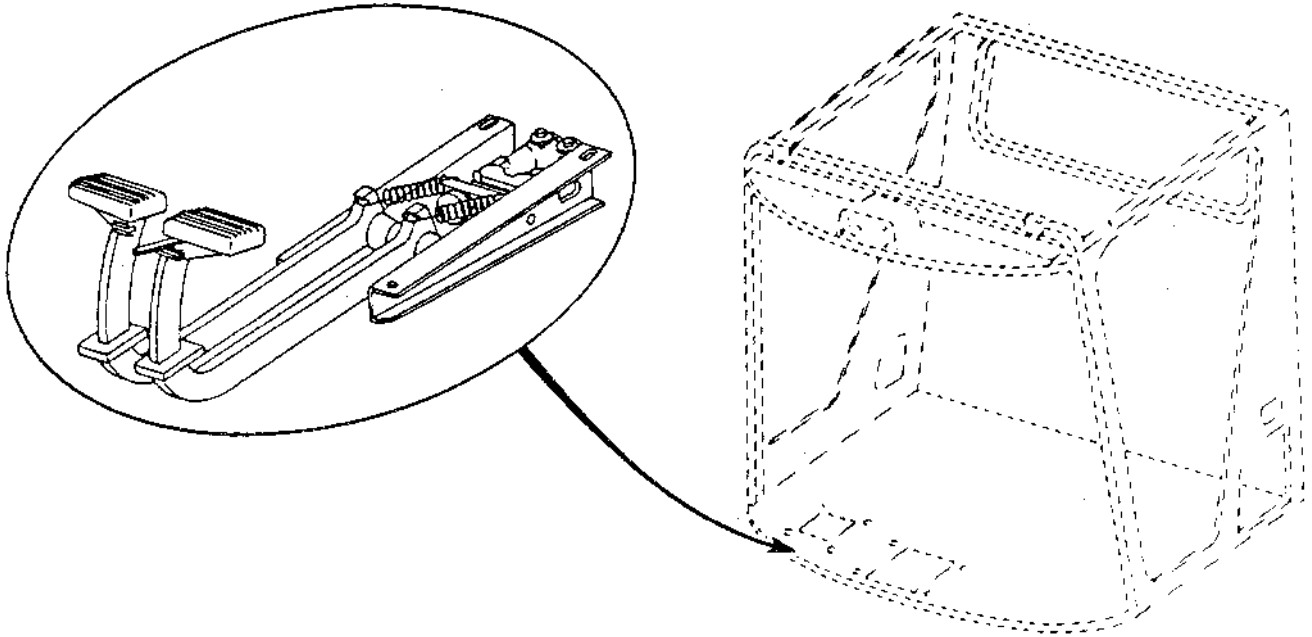
PARKING BRAKE PEDAL AND SEAL - CONTINUED

KEY	PART NO.	PART NAME	QTY	SERIAL NO.	REMARKS
1	H145847	ISOLATOR	1		
2	AH146492	ARM	1	(SUB FOR AH135695)	
3	34M7124	SPRING PIN	1	8 X 30 MM	
4	34M7116	SPRING PIN	1	3 X 24 MM	
5	H140595	FRAME	1		
6	28H1633	BUSHING	2	9.246 X 13.716 X 39.675 MM (0.364" X 0.540" X 1-9/16")	
7	H152164	PEDAL	1	(SUB FOR H140620)	
8	H140746	RATCHET	1		
9	H140747	PAWL	1		
10	AH140605	SWITCH	1		
11	H140692	SCREW	3	M8 X 30	
12	H140708	PIN	1		
13	H146327	PLATE	1		
14	H110232	WASHER	1	0.406" X 0.890" X 0.059"	
15	R60730	SPRING	1		
16	H141069	HOOK	1		
17	19M7801	SCREW	2	M8 X 60	
18	H124258	SPRING	1		
19	H140715	BOLT	1	M8 X 40	
20	H140712	BOLT	1	M10 X 67	
21	H140691	PLATE	1		
22	19M7867	SCREW	2	M8 X 25	
23	P47140	PIN	1		
24	11M7081	COTTER PIN	5	2.500 X 20 MM	
25	RV702A	PIN	1		
26	H109716	PIN	3		
27	H140694	BALANCER	2		
28	H140695	LINK	2		
29	H140696	LINK	2		
30	H140713	CLEVIS	1		
31	H104075	SPRING	1		
32	H105005	BUSHING	2		
33	24H1375	WASHER	2		
34	H141422	SEAL	1		
35	24M7207	WASHER	2	8.400 X 24 X 2 MM	
36	E64256	LOCK NUT	2	M8	

2E15

BRAKE PEDALS AND MASTER CYLINDERS

HP6823 -UN-29AUG97



HP6823

2E16

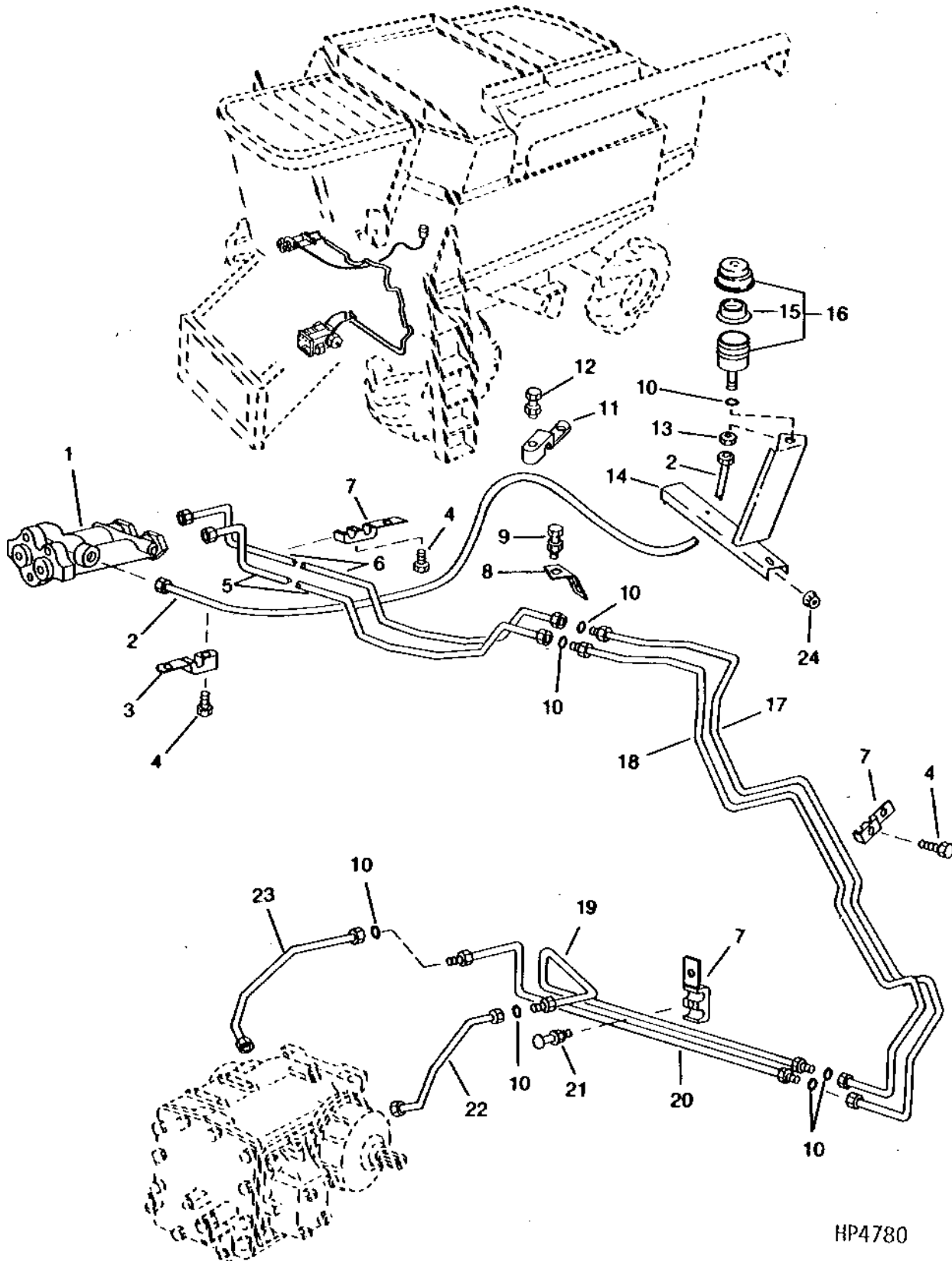
STEERING AND BRAKES

BRAKE PEDALS AND MASTER CYLINDERS - CONTINUED

KEY	PART NO.	PART NAME	QTY	SERIAL NO.	REMARKS
1	H156514	SUPPORT	1		
2	AH160136	CYLINDER	1		(SUB FOR AH143737)
3	H156513	SUPPORT	1		
4	19M7784	SCREW	4		M10 X 20
5	H120389	PIN	1		
6	H120388	PIN	1		
7	H124259	STUD	2		
8	H124258	SPRING	2		
9	14M7274	NUT	2		M10
10	H114331	PIN	2		(SUB 45M7118)
	45M7118	PIN	2		10 X 35 MM
11	H114330	YOKE	2		
12	H144270	PEDAL	1		(SUB H152166) L.H.
	H152166	PEDAL	1		(SUB H172924)
	H172924	PEDAL	1		L.H.
13	H111234	SEAL	2		
14	H105005	BUSHING	4		
15	34H101	SPRING PIN	1		1/4" X 1"
16	H95902	SPRING	1		
17	H99264	STRAP	1		
18	H144269	PEDAL	1		(SUB H152165) R.H.
	H152165	PEDAL	1		(SUB H172923)
	H172923	PEDAL	1		R.H.
19	19M7866	SCREW	4		M8 X 20

2E17

BRAKE LINES, MASTER CYLINDER AND RESERVOIR
HP4780 -UN-01JAN94



HP4780

2E18

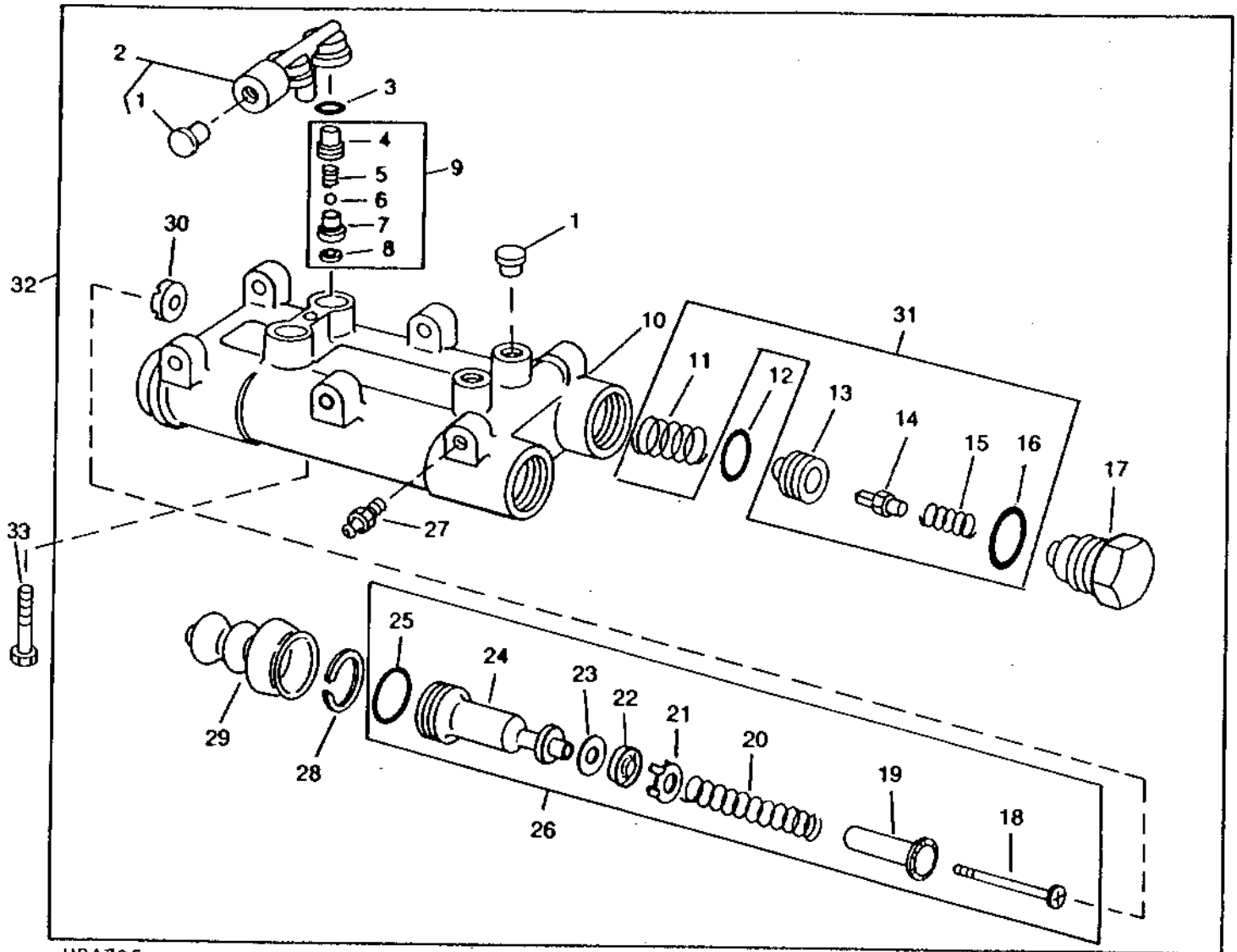
STEERING AND BRAKES

BRAKE LINES, MASTER CYLINDER AND RESERVOIR - CONTINUED

KEY	PART NO.	PART NAME	QTY	SERIAL NO.	REMARKS
1	AH160136	CYLINDER	1		(SUB FOR AH143737)
2	AH141794	OIL LINE	1		
3	H112911	CLAMP	3		
4	37M7131	SCREW	9	M6 X 20	
5	AH141686	OIL LINE	1		
6	AH141687	OIL LINE	1		
7	H112910	CLAMP	9		
8	H134343	BRACKET	1		
9	19M7775	SCREW	3	M6 X 16	
	14M7303	FLANGE NUT	3	M6	
10	H127752	O-RING	7		
11	H112911	CLAMP	1		
12	19M7775	SCREW	3	M6 X 16	
	14M7303	FLANGE NUT	3	M6	
13	14H832	NUT	1	9/16"	
14	AH136362	SUPPORT	1		
15	H109254	DIAPHRAGM	1		
16	AH130605	RESERVOIR	1		
17	AH130612	OIL LINE	1	R.H.	
18	AH130613	OIL LINE	1	L.H.	
19	AH130412	OIL LINE	1	L.H.	
20	AH130413	OIL LINE	1	R.H.	
21	03M7290	BOLT	3	M6 X 30	
	14M7303	FLANGE NUT	3	M6	
22	AH128842	OIL LINE	1		
23	AH128843	OIL LINE	1		
24	14M7296	FLANGE NUT	2	M10	

2E19

BRAKE MASTER CYLINDER
HP4735 -UN-01JAN94

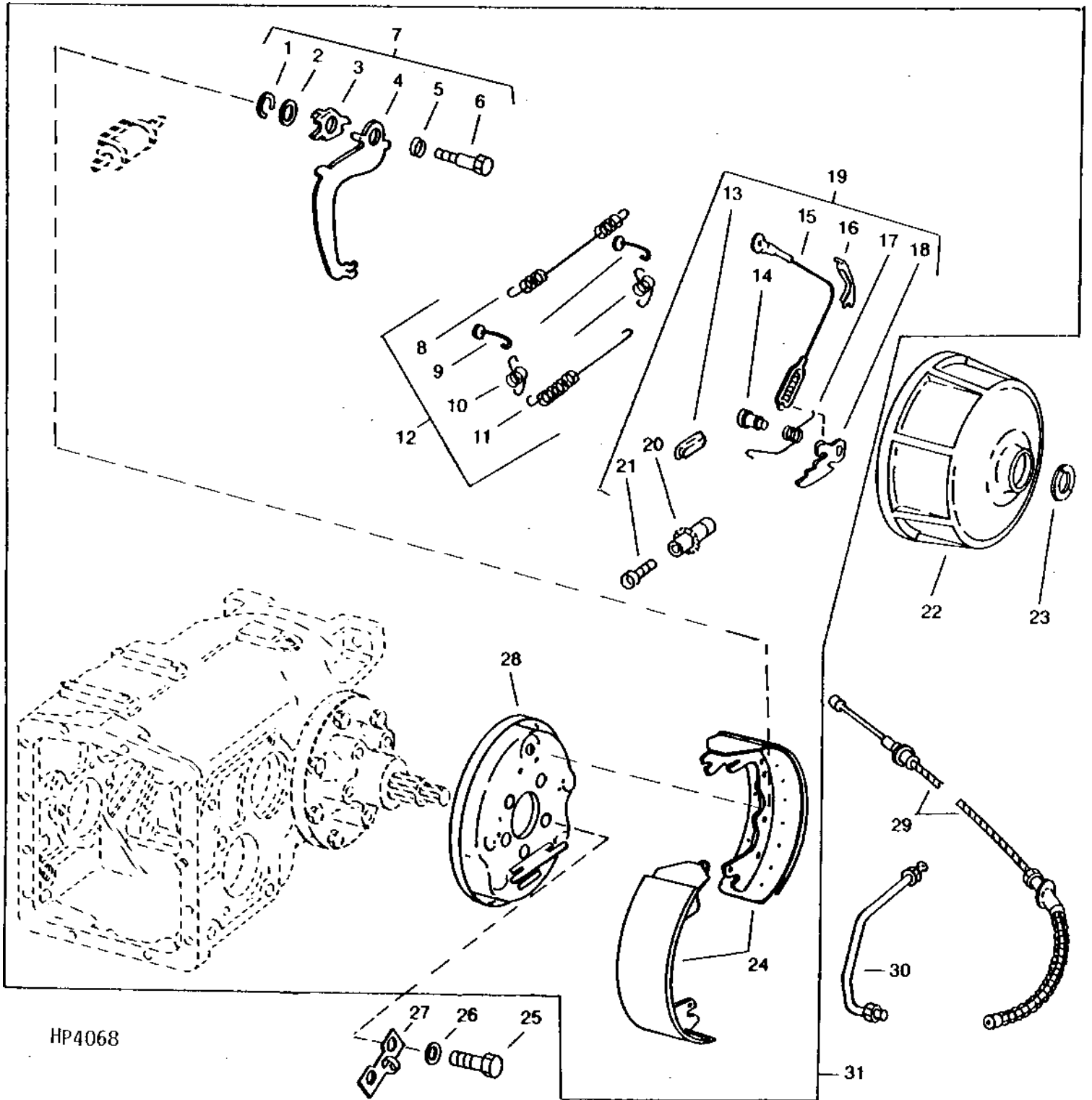


HP4735

BRAKE MASTER CYLINDER - CONTINUED

KEY	PART NO.	PART NAME	QTY	SERIAL NO.	REMARKS
1	SEAT	3		
2	AH136305	DEVICE	1		
3	O-RING	2		(KIT AH133128)
4	VALVE	2		
5	SPRING	2		
6	BALL	2		
7	VALVE SEAT	2		
8	SEAL	2		
9	AH133126	VALVE	2		
10	HOUSING	1		
11	SPRING	2		(A)
	H141869	SPRING	2		(KIT AH138702)
12	O-RING	2		(KIT AH133128)
13	BEARING	2		(A)
14	POPPET	2		(A)
15	SPRING	2		(A)
16	O-RING	2		(A)
17	H81467	FITTING PLUG	2		
18	SCREW	2		
19	RETAINER	2		
20	SPRING	2		
21	RETAINER	2		
22	OIL CUP	2		
23	RETAINER	2		
24	PISTON	2		
25	O-RING	2		
26	AH136304	PISTON	2		
27	R21612	BLEED SCREW	1		
28	SNAP RING	2		(KIT AH133128)
29	BOOT	2		(KIT AH133128)
30	H81461	RETAINER	2		
31	AH161485	KIT	1		(SUB FOR AH138702) (INCLUDES PARTS MARKED (A))
32	AH160136	CYLINDER	1		(SUB FOR AH143737)
33	BOLT	1		(KIT AH133128)
..	AH133128	KIT	1		

BRAKE SHOES AND DRUM
(L.H. ILLUSTRATED)
HP4068 -UN-01JAN94



HP4068

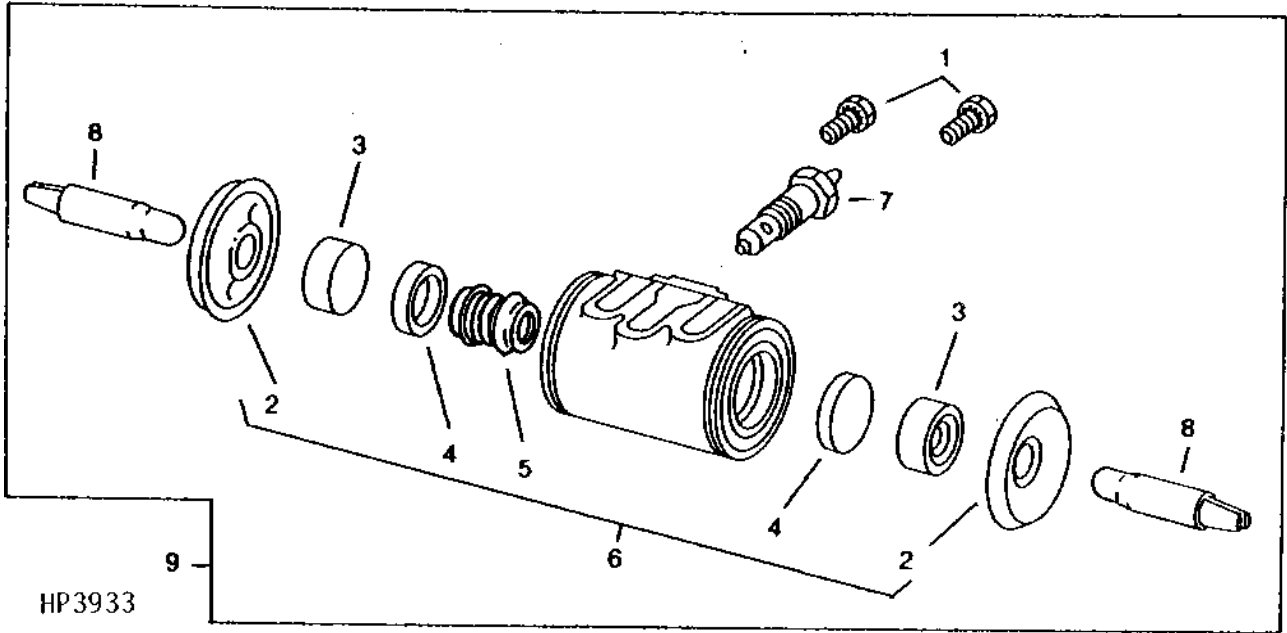
**BRAKE SHOES AND DRUM - CONTINUED
(L.H. ILLUSTRATED)**

KEY	PART NO.	PART NAME	QTY	SERIAL NO.	REMARKS
1	SNAP RING	1		
2	WASHER	1		
3	CAM	1		
4	LEVER	1		
5	SPRING	1		
6	BOLT	1		(ANCHOR PIN)
7	AH131058	KIT	1		R.H.
	AH131059	KIT	1		L.H.
8	SPRING	1		(UPPER SHOE-TO-SHOE)
9	LINK	2		
	H140135	LINK	2	675464-	
10	SPRING	2		(LOWER SHOE-TO-SHOE)
11	SPRING	2		(HOLD DOWN)
12	AH131051	KIT	1		
13	COVER	1		(RUBBER)
14	PIN	1		
15	CABLE	1		
16	GUIDE	1		
17	SPRING	1		
18	PAWL	1		(ADJUSTER)
19	AH131054	KIT	1		R.H.
	AH131055	KIT	1		L.H.
20	WHEEL	1		
21	SCREW	1		
22	CE18206	BRAKE DRUM	2		
23	B32564	RING	2		
24	AH132840	BRAKE SHOE	1		R.H. AND L.H. (SET OF 4)
	AH143333	BRAKE SHOE	1	675464-	
25	19M7597	CAP SCREW	5		M20 X 50
26	N12679	WASHER	5		20.625 X 38.100 X 3.404 MM (13/16" X 1-1/2" X 0.134")
27	H133351	GUIDE	2		
28	AH131062	KIT	1		
	AH149829	KIT	1	675464-	
29	AH141582	CABLE	1		
30	AH128842	OIL LINE	1		L.H.
	AH128843	OIL LINE	1		R.H.
31	AH134304	BRAKE	1		R.H. 12 X 2 1/2"
	AH134305	BRAKE	1		L.H. 12 X 2 1/2"
	AH157026	BRAKE	1	675464-	R.H. 3.0" X 1.25" CYLINDER
	AH157027	BRAKE	1	675464-	L.H. 3.0" X 1.25" CYLINDER

NOTE: QUANTITIES SHOWN ARE FOR ONE UNIT. TWO UNITS USED PER MACHINE.

2E23

BRAKE SLAVE CYLINDER
HP3933 -UN-01JAN94

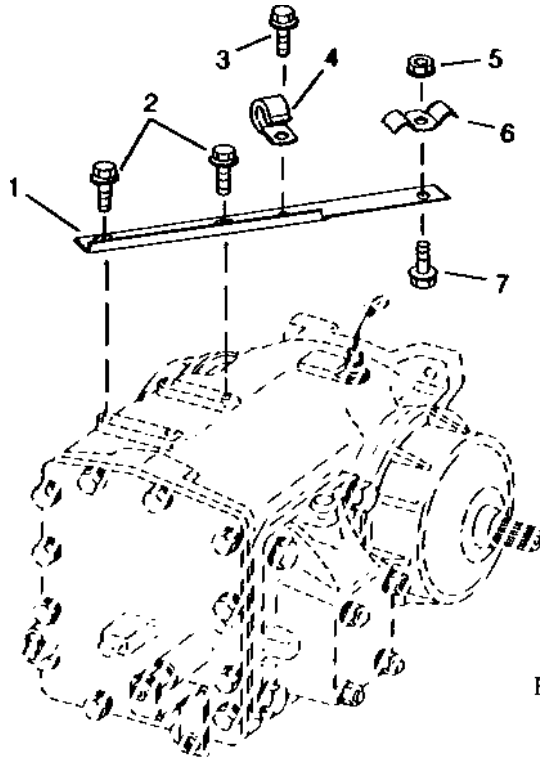


KEY	PART NO.	PART NAME	QTY	SERIAL NO.	REMARKS
1	AW12765	SCREW	2		7.925 X 13.462 MM, (SUB 12M7032 AND 19H2020) (WITH LOCK WASHER)
	12M7032	LOCK WASHER	2		8.400 MM
	19H2020	CAP SCREW	2		5/16" X 1/2"
2	BOOT	2		(KIT AH131045)
3	PISTON	2		
4	SEAL	2		(KIT AH131045)
5	SPRING	1		(KIT AH131045)
6	AH131045	HYDRAULIC CYLINDER KIT	1		
7	W15277	BLEED SCREW	1		
8	H140135	LINK	2		
9	AH131048	KIT	1		R.H.
	AH131049	HYDRAULIC CYLINDER KIT	1		L.H.

2E24

BRAKE CABLE SUPPORT BRACKET

HP5535 -UN-01JAN94



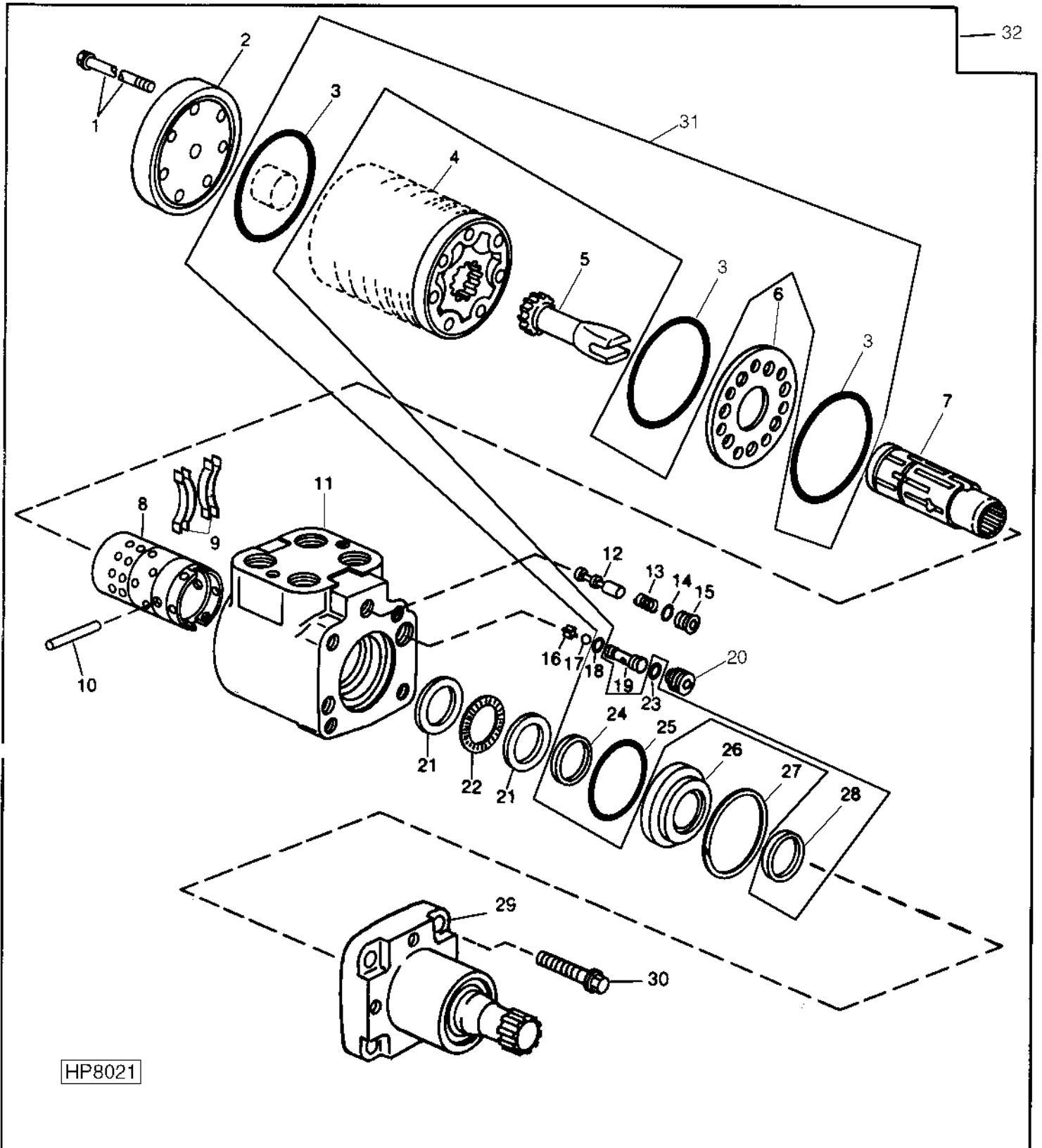
HP5535

KEY	PART NO.	PART NAME	QTY	SERIAL NO.	REMARKS
1	H147004	SUPPORT	1		
2	19M7865	SCREW	2	M8 X 16	
3	37M7083	SCREW	1	M8 X 12	
4	AH89557	CLIP	1		
5	14M7298	FLANGE NUT	1	M8	
6	R42009	CLAMP	1		
7	19M7867	SCREW	1	M8 X 25	

2F1

STEERING PUMP

HP8021 -UN-30NOV98



HP8021

2F2

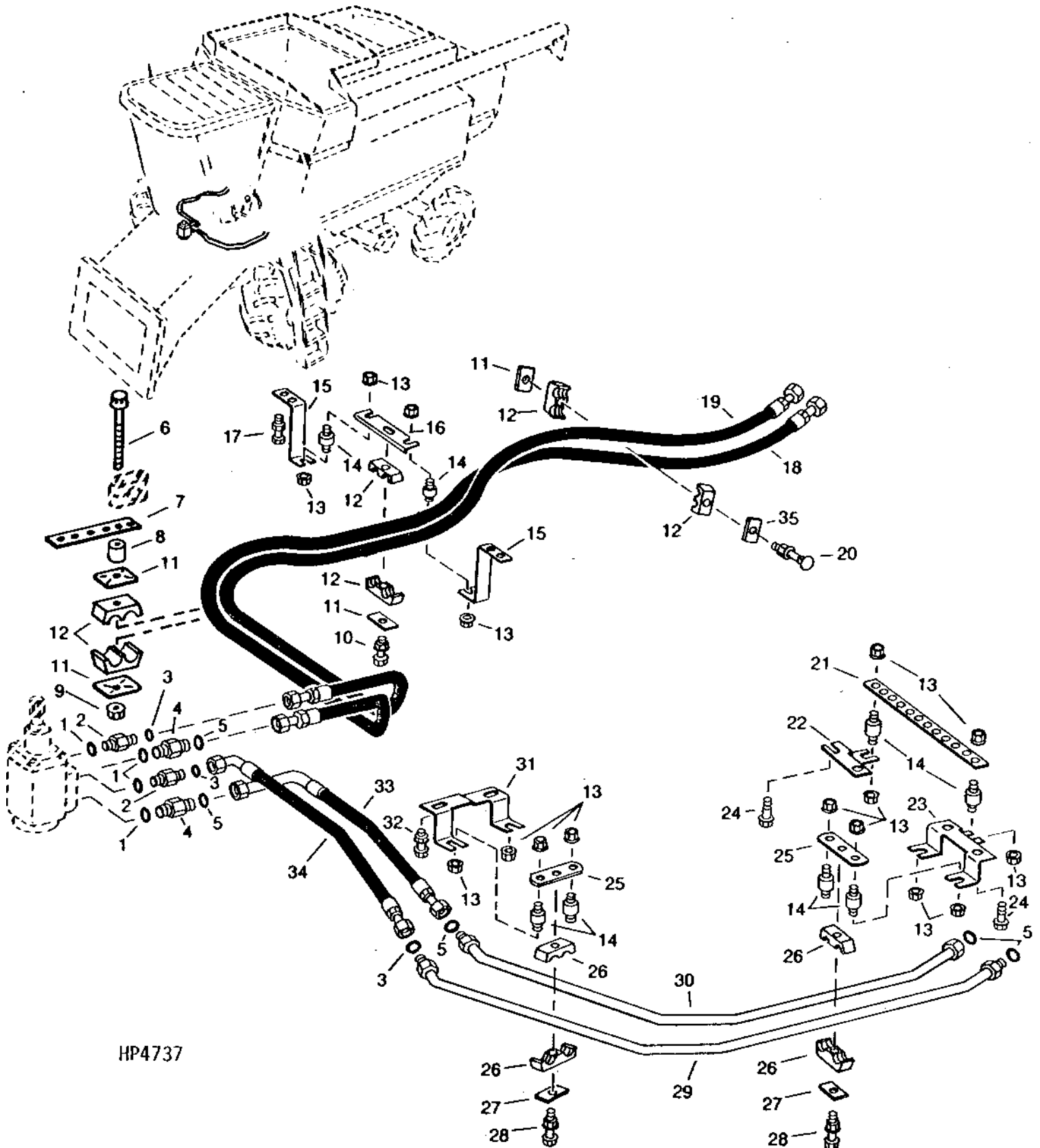
STEERING PUMP - CONTINUED

KEY	PART NO.	PART NAME	QTY	SERIAL NO.	REMARKS
1	SCREW	7		
2	CAP	1		
3	SEAL	3	(A)	
4	ROTATOR	1		
5	DRIVE	1		
6	SPACER	1		
7	SPOOL	1		
8	SLEEVE	1		
9	SPRING ASSEMBLY	1		
10	PIN	1		
11	CONTROL	1		
12	PLUNGER	1		
13	SPRING	1		
14	O-RING	1		
15	CAP	1		
16	RETAINER	1		
17	BALL CHECK	1		
18	O-RING	1	(A)	
19	VALVE SEAT	1		
20	SET SCREW	1		
21	BEARING	2		
22	NEEDLE BEARING	1		
23	O-RING	1	(A)	
24	SEAL	1	(A)	
25	SEAL	1	(A)	
26	BUSHING	1		
27	SNAP RING	1		
28	SEAL	1	(A)	
29	HOUSING	1		
30	SCREW	1		
31	AH142893	SEAL KIT	1		INCLUDES PARTS MARKED (A)
32	AH142441	PUMP	1		

2F3

STEERING HOSES AND LINES, FRONT

HP4737 -UN-01JAN94



HP4737

2F4

STEERING AND BRAKES

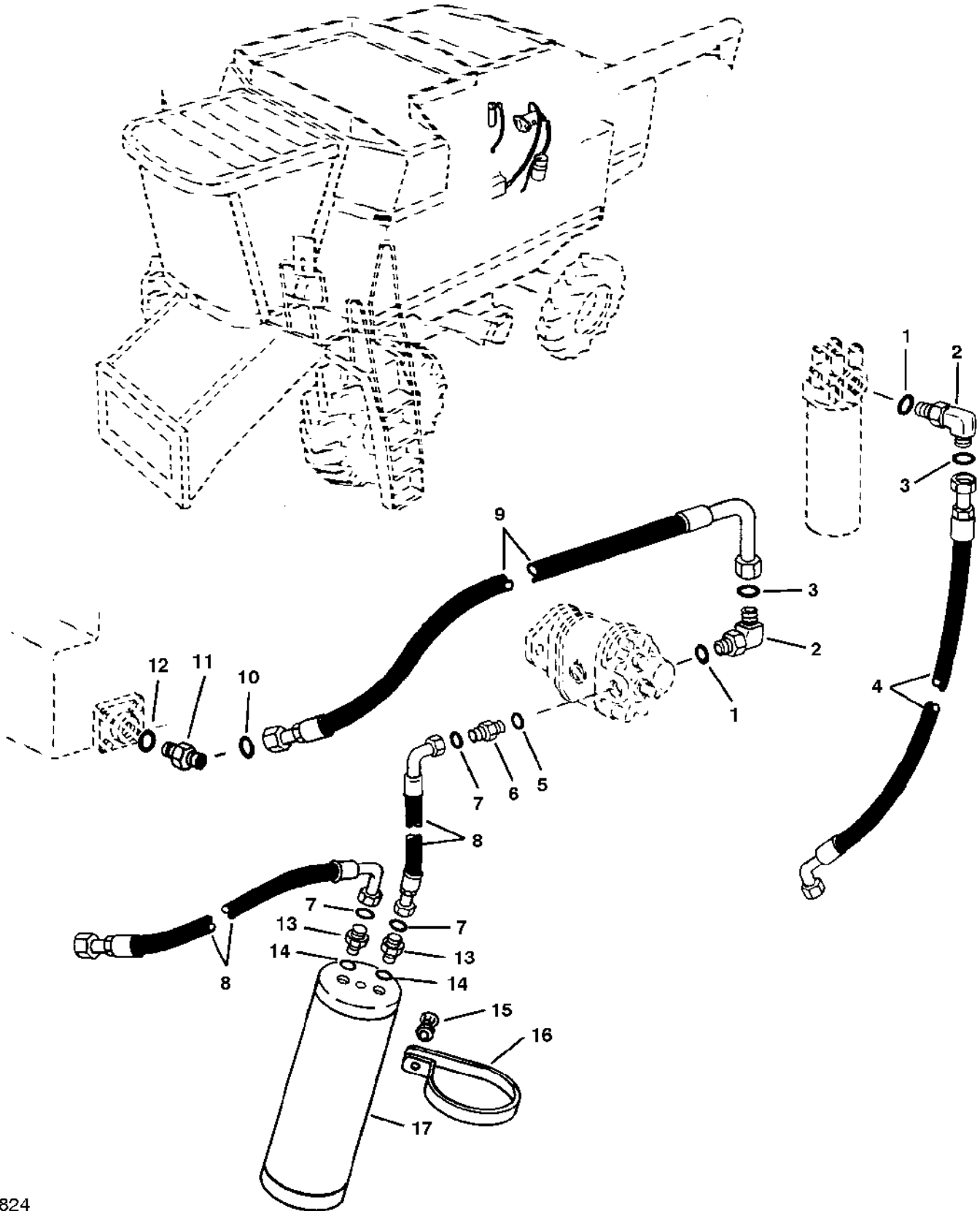
STEERING HOSES AND LINES, FRONT - CONTINUED

KEY	PART NO.	PART NAME	QTY	SERIAL NO.	REMARKS
1	R26375	O-RING	4		
2	38H1161	ADAPTER	2		
3	T77857	O-RING	3		
4	38H1317	FITTING	2		
5	T77932	O-RING	5		
6	19M8006	SCREW	1	M8 X 120	
7	H134558	STRAP	1		
8	H133060	SLEEVE	1		
9	14M7298	FLANGE NUT	1	M8	
10	19M7801	SCREW	1	M8 X 60	
	14M7396	LOCK NUT	1	M8	
11	H112567	PLATE	4		
12	H135155	CLAMP	6		
13	N10217	LOCK NUT	16		
14	AH126657	ISOLATOR	8		
15	H135608	BRACKET	2		
16	H134470	STRAP	1	ROUND HOLES	
17	19M7865	SCREW	4	M8 X 16	
	14M7298	FLANGE NUT	4	M8	
18	AH131546	HYDRAULIC HOSE	1	(RIGHT)	
19	AH131545	HYDRAULIC HOSE	1	13/16" X 1 800 MM (70-3/4") X 13/16" (LEFT)	
20	03M7224	BOLT	1	M8 X 65 (RD. HEAD)	
	14M7298	FLANGE NUT	1	M8	
21	H134426	STRAP	1		
22	H134427	BRACKET	1		
23	H134424	BRACKET	1		
24	37M7058	SCREW	4	M8 X 20	
25	H134425	STRAP	2		
26	H120847	CLAMP	4		
27	H121168	PLATE	2		
28	19M8318	SCREW	2	M8 X 45	
	14M7298	FLANGE NUT	2	M8	
29	AH131382	HYDRAULIC LINE	1	(RETURN)	
30	AH131381	HYDRAULIC LINE	1	(PRESSURE)	
31	H135619	BRACKET	1		
32	19M7865	SCREW	2	M8 X 16	
	14M7298	FLANGE NUT	2	M8	
33	AH133161	HYDRAULIC HOSE	1	1" X 600 MM (23-1/2") X 1" (PRESSURE)	
34	AH133160	HYDRAULIC HOSE	1	13/16" X 690 MM X 13/16" (RETURN)	
35	24H1347	WASHER	1	13.487 X 50.800 X 4.928 MM (17/32" X 2" X 0.194")	

2F5

HYDRAULIC STEERING HOSES, UPPER AND ATTENUATOR

HP6824 -UN-18AUG97



HP6824

2F6

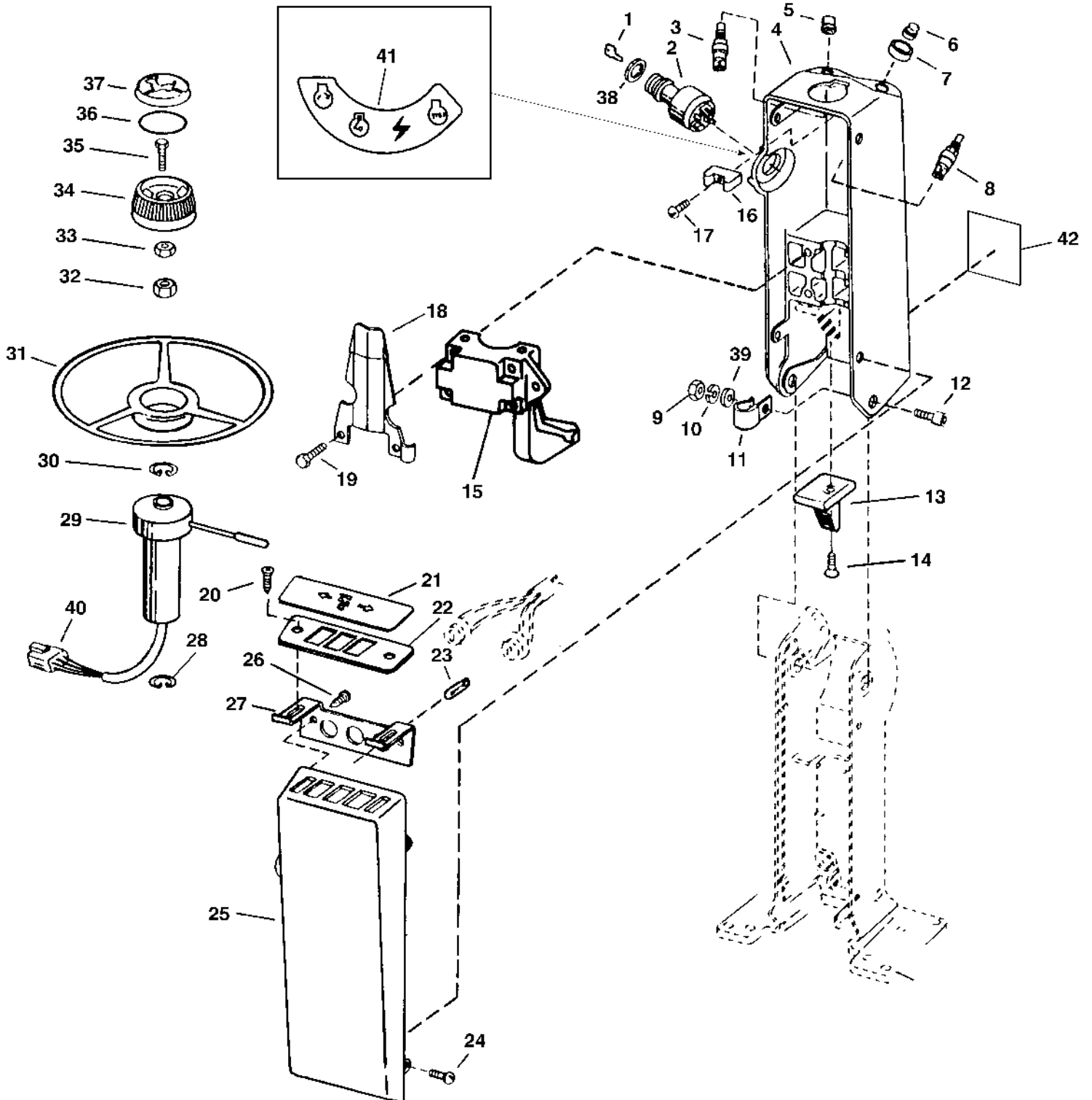
STEERING AND BRAKES

HYDRAULIC STEERING HOSES, UPPER AND ATTENUATOR - CONTINUED

KEY	PART NO.	PART NAME	QTY	SERIAL NO.	REMARKS
1	U12547	O-RING	2		
2	38H1007	ELBOW FITTING	2		
3	T77858	O-RING	2		
4	AH126254	HYDRAULIC HOSE	1		1-3/16" X 600 MM (23-1/2") X 1" (RETURN)
5	R26375	O-RING	1		
6	38H1161	ADAPTER	1		
7	T77857	O-RING	3		
8	AH133752	HYDRAULIC HOSE	2		(PRESSURE)
9	AH147935	HYDRAULIC HOSE	1		(SUCTION)
10	T76938	O-RING	1		
11	38H1164	ADAPTER	1		
12	R29936	O-RING	1		
13	38H1173	ADAPTER	2		
14	R26448	O-RING	2		
15	14M7298	FLANGE NUT	2		M8
	03M7223	BOLT	2		M8 X 60
16	R35794	CLAMP	2		
17	AR75693	ATTENUATOR	1		

STEERING COLUMN (UPPER)

HP6825 -UN-05SEP97



HP6825

2F8

STEERING AND BRAKES

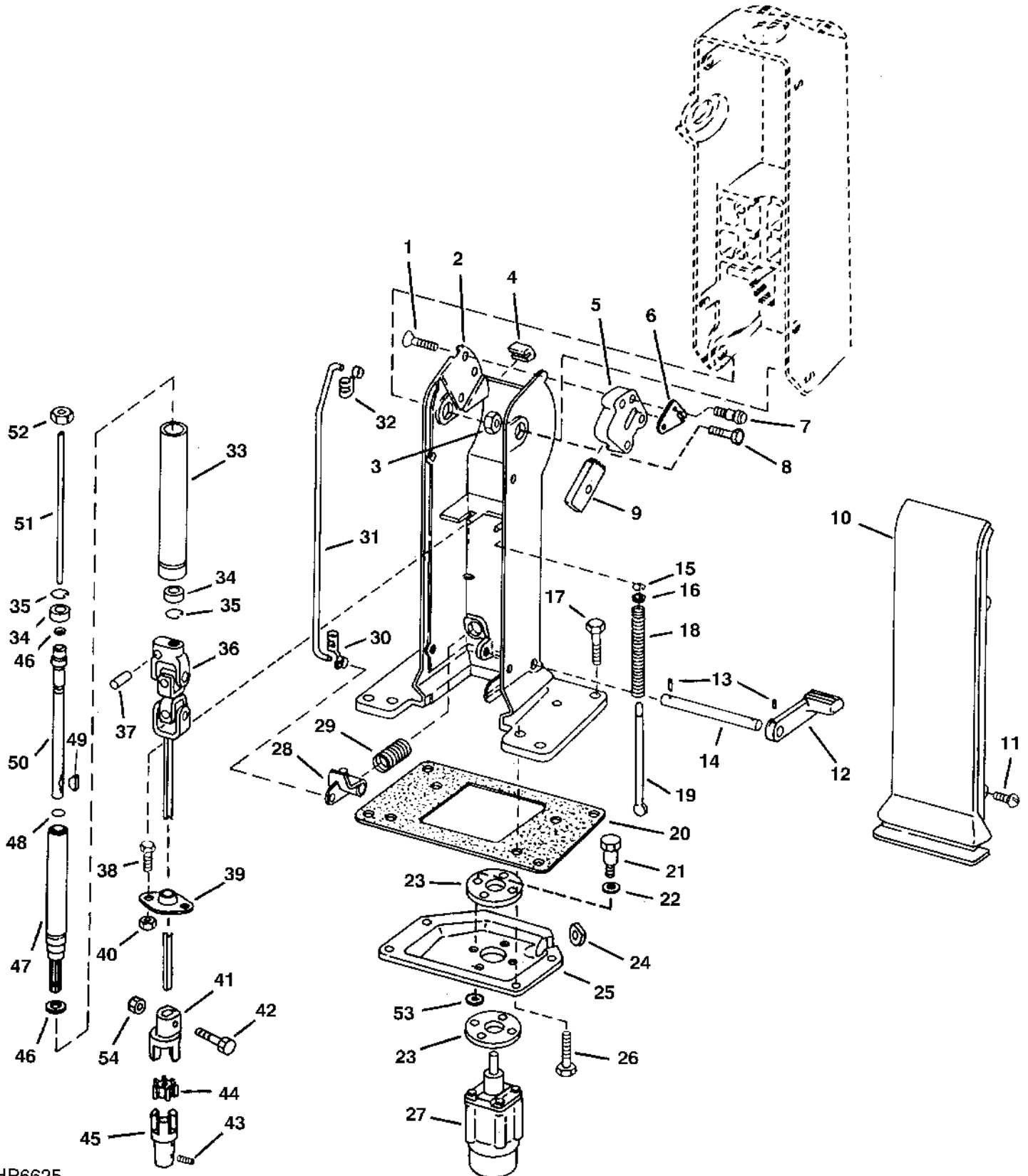
STEERING COLUMN (UPPER) - CONTINUED

KEY	PART NO.	PART NAME	QTY	SERIAL NO.	REMARKS
1	AR51481	KEY	1		
2	AH108816	SWITCH	1		KEY START SWITCH
3	R39554	SWITCH	1		HORN BUTTON
4	H152171	HOUSING	1		(SUB FOR H113858 OR H165292)
5	T55501	CAP	1		
6	T55585	CAP	1		
7	H132895	GUARD	1		
8	R39554	SWITCH	1		ETHER AID START BUTTON
9	14M7274	NUT	2		M10
10	12M7066	LOCK WASHER	2		10.200 MM
11	AH96317	CLIP	1		
12	H107687	SCREW	2		M10 X 23
13	H110812	GEAR	1		
14	H133205	SCREW	2		M8 X 25
15	H150383	CLAMP	1		
16	H113863	GUIDE	1		
17	37M7071	SCREW	1		
18	AH129255	GUARD	1		(SUB FOR AH150611)
19	19M7800	SCREW	4		M8 X 50
20	H132899	SCREW	1		
21	H146392	PANEL	1		
	H146393	PANEL	1		(EXPORT - ITALY)
22	H146391	PANEL	1		
23	AA27536	BULB	1		
24	H165693	SCREW	4		M6 X 12, (SUB FOR H130192)
25	H123873	COVER	1	-15JU98	
	H152170	COVER	1		(SUB FOR H165291)
26	37H6	SCREW	2		
27	H132897	RETAINER	1		
28	R26192	SNAP RING	1		
29	AH121340	TURN SIGNAL CONTROLLER	1		TURN SIGNAL (INCLUDES T23529 SNAP RING)
30	R26192	SNAP RING	1		
31	T22875	STEERING WHEEL	1		
32	14M7257	NUT	1		M20
33	14M7273	NUT	1		M8
34	H108822	KNOB	1		
35	19M7922	CAP SCREW	1		M8 X 40
36	B3690R	O-RING	1		
37	R47998	CAP	1		
38	R44342	NUT	1		
39	24M7040	WASHER	1		11 X 20 X 2 MM
40	AH116902	CONNECTOR	1		
41	H146042	LABEL	1		FOR IGNITION SWITCH
42	H156390	LABEL	1		

2F9

STEERING COLUMN (LOWER)

HP6625 -UN-27JAN97



HP6625

2F10

STEERING AND BRAKES

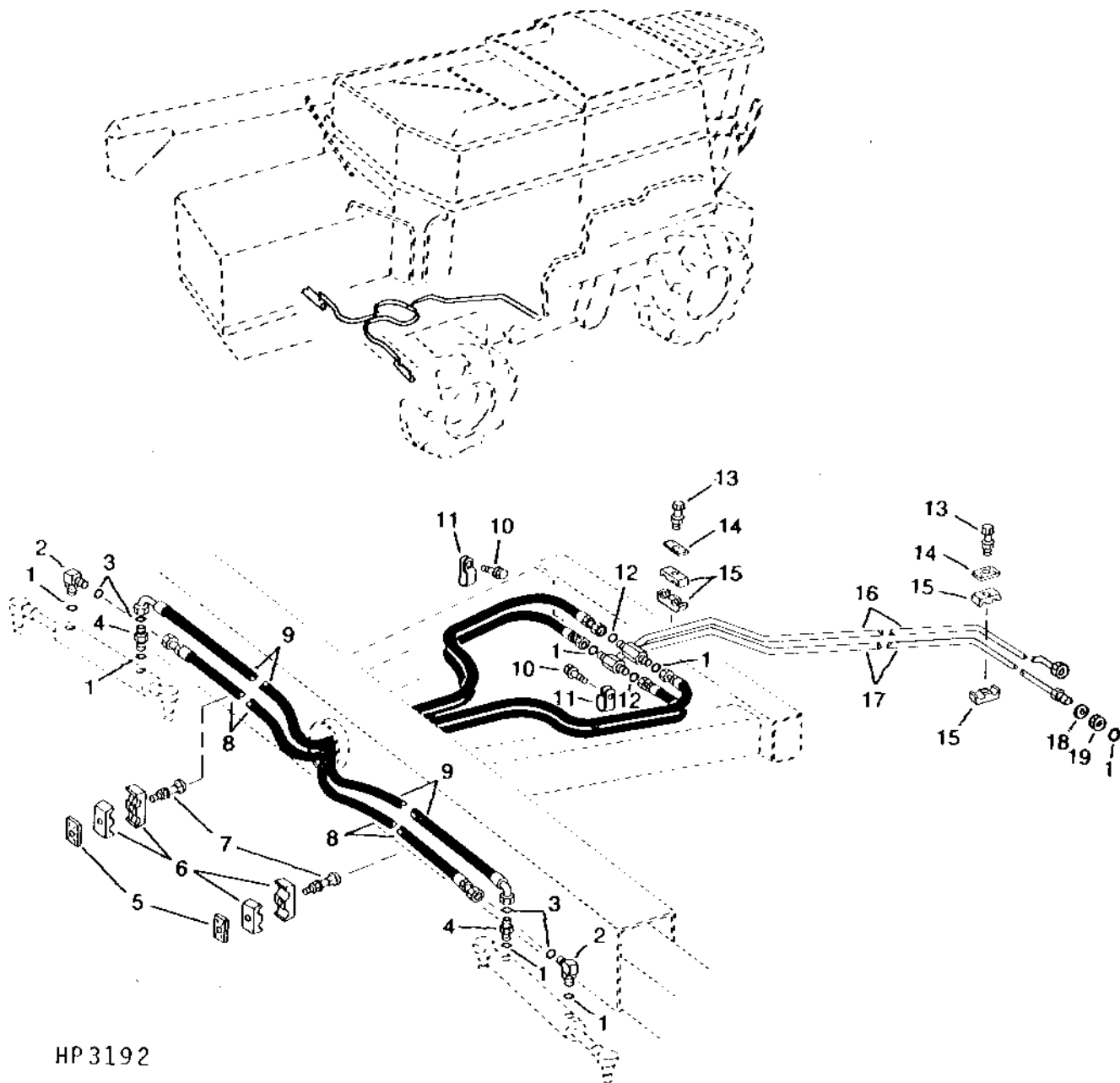
STEERING COLUMN (LOWER) - CONTINUED

KEY	PART NO.	PART NAME	QTY	SERIAL NO.	REMARKS
1	H133205	SCREW	3		M8 X 25
2	H152173	HOUSING	1		(SUB FOR H123877 OR H165294)
3	14M7274	NUT	2		M10
4	H107566	ISOLATOR	1		
5	H110310	HOUSING	1		
6	H110229	CRANK	1		
7	H131424	BOLT	2		M6 X 20.750
8	H107687	SCREW	2		M10 X 23
9	H141327	PAWL	1		
10	H152172	COVER	1		(SUB FOR H147192 OR H165293)
11	H165693	SCREW	4		M6 X 12, (SUB FOR H130192)
12	H152174	PEDAL	1		(SUB FOR H107581)
13	34M7102	SPRING PIN	2		5 X 26 MM
14	H113864	PIN	1		
15	H133106	SNAP RING	1		
16	24M7055	WASHER	1		8.400 X 16 X 1.600 MM
17	19M7800	SCREW	4		M8 X 50
18	H113404	SPRING	1		
19	H113402	ROD	1		
20	H123874	SEALANT	1		
21	H110700	BOLT	4		
22	24M7028	WASHER	4		10.500 X 20 X 2 MM
23	H134353	ISOLATOR	2		
24	H108725	GROMMET	1		
25	H123875	SUPPORT	1		
26	19M7867	SCREW	4		M8 X 25
27	AH142441	PUMP	1		STEERING PUMP
28	H107582	ARM	1		
29	H107584	SPRING	1		
30	R26501	CLIP	1		
31	H131186	ROD	1		
32	R26524	CLIP	1		
33	H107567	HOUSING	1		
34	AH97920	BALL BEARING	2		
35	H80753	SNAP RING	2		
36	AH139065	UNIVERSAL JOINT, WITH SHAFT	1		
37	34M7124	SPRING PIN	1		8 X 30 MM
38	19M7866	SCREW	2		M8 X 20
39	AH129236	BEARING	1		
40	14M7166	LOCK NUT	2		M8
41	H162569	COUPLING	1		STEERING
42	H164921	SCREW	1		
43	22M7072	SET SCREW	2		M6 X 10
44	H134624	ISOLATOR	1		
45	H134623	SPLINED COUPLING	1		
46	H99294	WASHER	2		22.606 X 27.813 X 0.813 MM
47	AH130429	STEERING SHAFT	1		
48	H36256	O-RING	1		
49	H137667	SHAFT KEY	1		
50	H107570	STEERING SHAFT	1		
51	H107586	PIN	1		
52	14M7257	NUT	1		
53	H141946	WASHER	4		8.330 X 15.880 X 1.520 MM
54	H137328	NUT	1	-2MAR98	
	14M7396	LOCK NUT	1	2MAR98-	M8

2F11

STEERING LINES AND HOSES, REAR
(DUAL CYLINDER)

HP3192 -UN-01JAN94



HP 3192

2F12

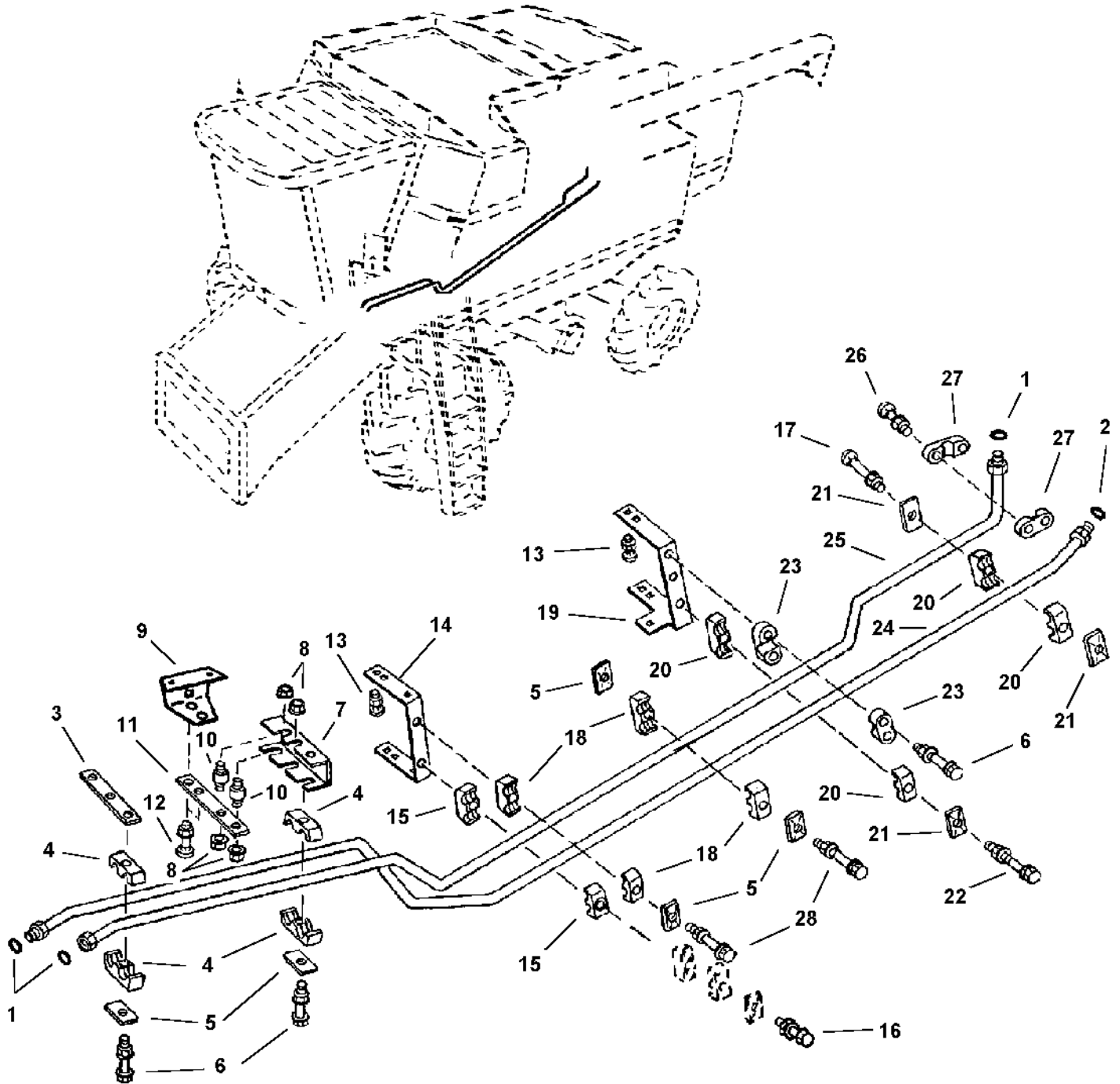
STEERING AND BRAKES

**STEERING LINES AND HOSES, REAR - CONTINUED
(DUAL CYLINDER)**

KEY	PART NO.	PART NAME	QTY	SERIAL NO.	REMARKS
1	R26448	O-RING	4		
2	38H1004	ELBOW FITTING	2		
3	T77613	O-RING	7		
4	38H1160	ADAPTER	2		
5	H121168	PLATE	2		
6	H135156	CLAMP	4		
7	03M7280	BOLT	2	M6 X 45	
	14M7303	FLANGE NUT	2	M6	
8	AH130890	HYDRAULIC HOSE	2		9/16" X 2 452 MM (96-1/2") X 11/16"
9	AH130119	HYDRAULIC HOSE	2		
10	37M7092	SCREW	2	M8 X 16	
11	AH97280	CLIP	2		
12	T77814	O-RING	2		
13	19M8317	SCREW	2	M8 X 40	
	14M7298	FLANGE NUT	2	M8	
14	H121163	COVER	2		
15	H128515	CLAMP	4		
16	AH120872	OIL LINE	1	(RIGHT)	
17	AH120876	OIL LINE	1	(LEFT)	
18	24M7114	WASHER	1	19 X 30 X 4 MM	
19	T81029	NUT	1	17.475 MM (11/16")	

2F13

STEERING LINES, L.H. SIDE
HP7245 -UN-07NOV97



HP7245

2F14

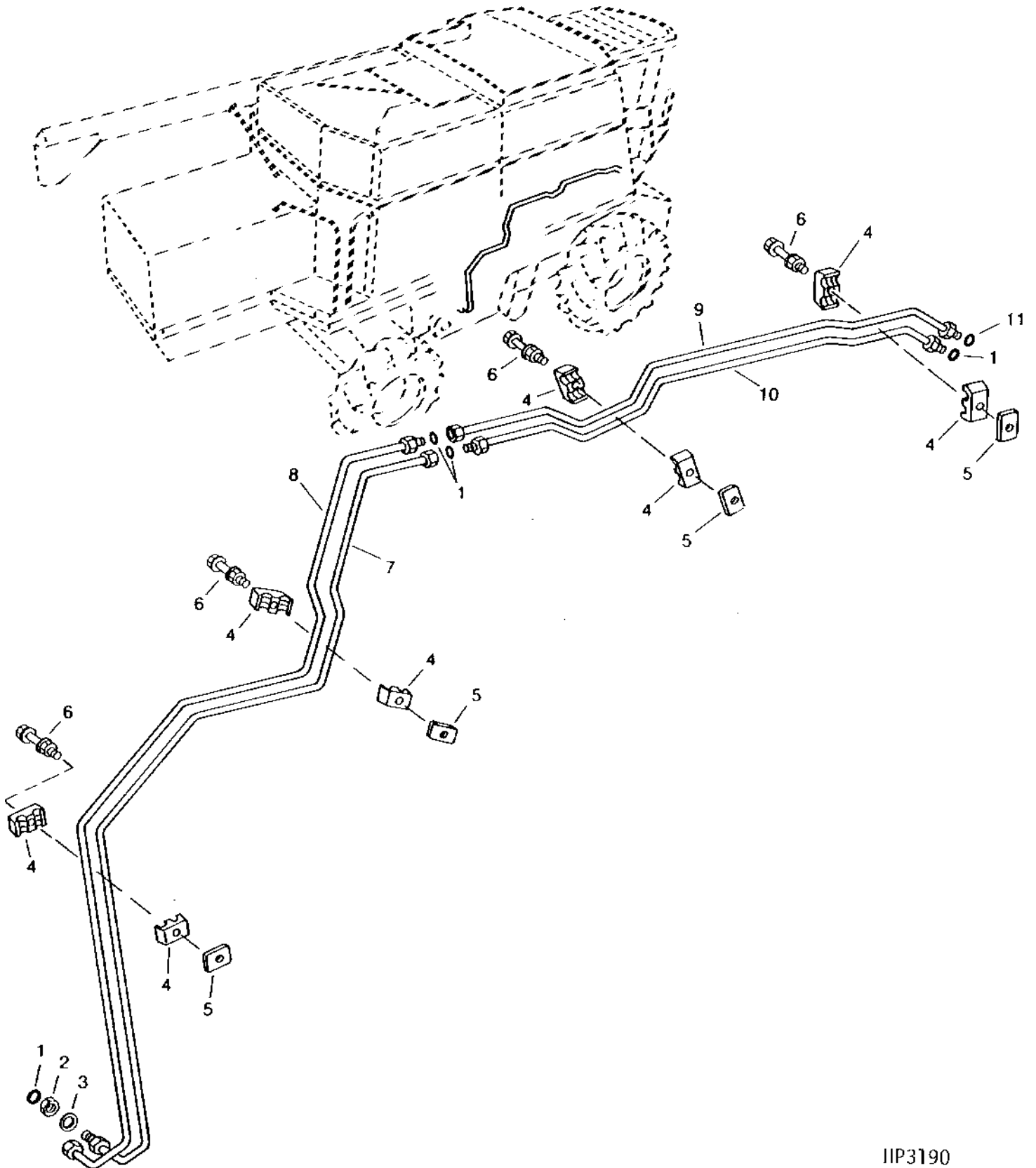
STEERING AND BRAKES

STEERING LINES, L.H. SIDE - CONTINUED

KEY	PART NO.	PART NAME	QTY	SERIAL NO.	REMARKS
1	T77932	O-RING	3		15.596 X 1.778 MM (0.614" X 0.070")
2	T77857	O-RING	1		12.421 X 1.778 MM (0.489" X 0.070")
3	H131163	STRAP	1		
4	H120847	CLAMP	1		
5	H121168	PLATE	4		
6	03M7189	BOLT	2		M8 X 45
	14M7298	FLANGE NUT	2		M8
7	H134428	BRACKET	1		
8	N10217	LOCK NUT	4		6.350 MM (1/4")
9	H138411	BRACKET	1		
10	AH126657	ISOLATOR	2		
11	H134434	SUPPORT	1		
12	03M7184	BOLT	2		M8 X 20 (RD. HEAD)
	14M7298	FLANGE NUT	2		M8
13	19M7866	SCREW	8		M8 X 20 (RD. HEAD)
	14M7396	LOCK NUT	8		M8
14	H131115	BRACKET	1		
15	H120847	CLAMP	2		
16	19M7913	SCREW	1		M8 X 90 (STACKING)
	14M7298	FLANGE NUT	1		M8
17	19M7801	SCREW	1		M8 X 60
	19M7803	SCREW	1		M8 X 70
	14M7298	FLANGE NUT	1		M8
18	H109046	CLAMP	4		
19	H133659	BRACKET	1		
20	H111730	CLAMP	4		
21	H112567	PLATE	3		
22	19M7979	SCREW	1		M8 X 55
	14M7298	FLANGE NUT	1		M8
23	H115533	CLAMP	2		
24	AH131316	HYDRAULIC LINE	1		(PRESSURE)
25	AH131302	OIL LINE	1		(RETURN)
26	03M7216	BOLT	2		M8 X 50 (RD. HEAD)
	14M7298	FLANGE NUT	2		M8
27	H115533	CLAMP	2		
28	19M8318	SCREW	2		M8 X 45
29	19M8319	SCREW	2		M8 X 50
30	14M7298	FLANGE NUT	2		M8

2F15

STEERING LINES, R.H. SIDE
HP3190 -UN-01JAN94



IIP3190

2F16

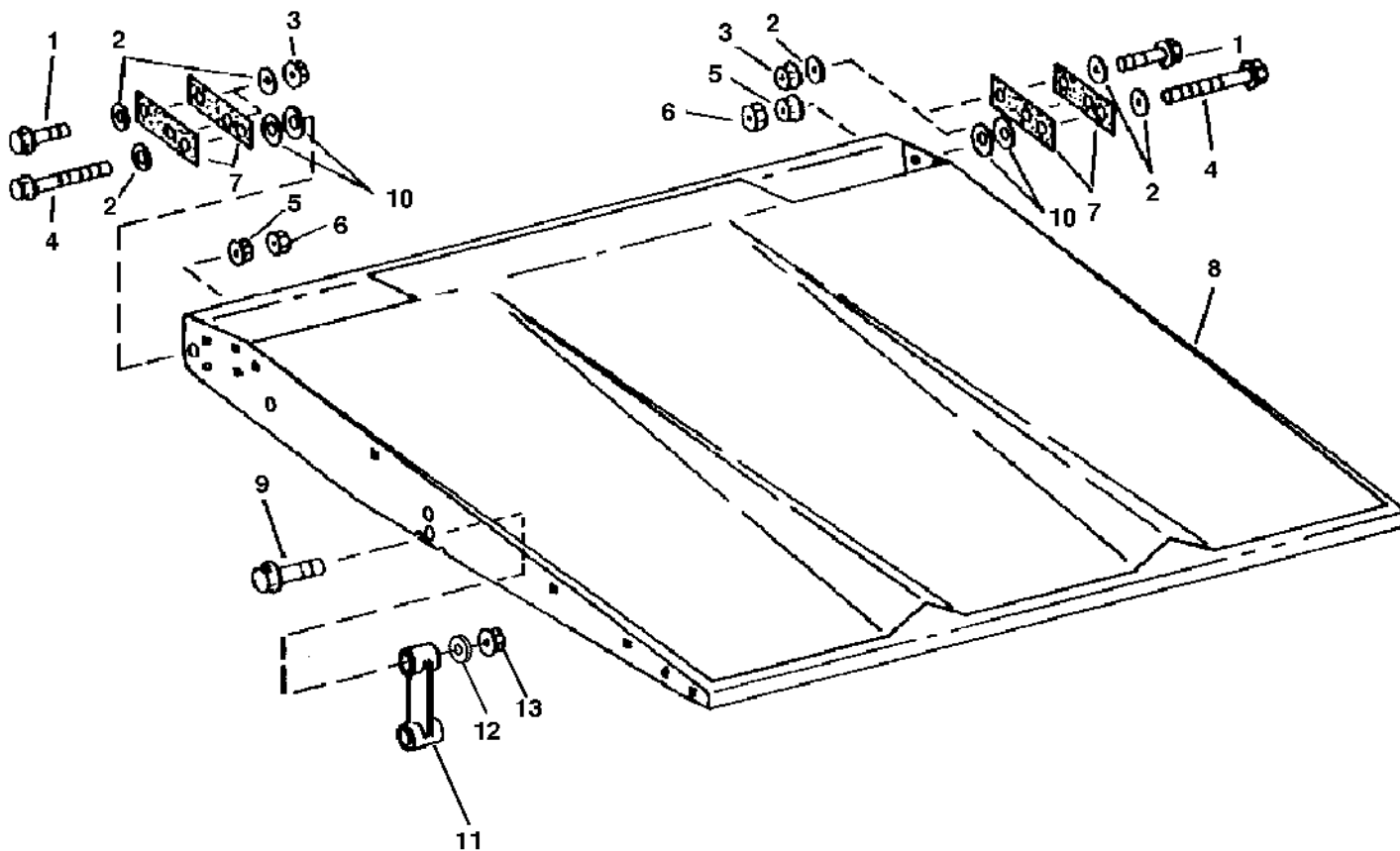
STEERING AND BRAKES

STEERING LINES, R.H. SIDE - CONTINUED

KEY	PART NO.	PART NAME	QTY	SERIAL NO.	REMARKS
1	T77613	O-RING	4		
2	T81029	NUT	1	17.475 MM, (BULKHEAD)	
3	24M7114	WASHER	1	19 X 30 X 4 MM	
4	H128515	CLAMP	8		
5	H121163	COVER	4		
6	03M7188	BOLT	4	M8 X 40 (RD. HEAD)	
	14M7298	FLANGE NUT	4	M8	
7	AH140715	HYDRAULIC LINE	1	(RIGHT)	
8	AH140714	HYDRAULIC LINE	1	(LEFT)	
9	AH133988	OIL LINE	1	(LEFT)	
10	AH133987	OIL LINE	1	(RIGHT)	
11	T77857	O-RING	1		

2F17

REAR AXLE TRASH SHIELD
HP6828 -UN-08SEP97



HP6828

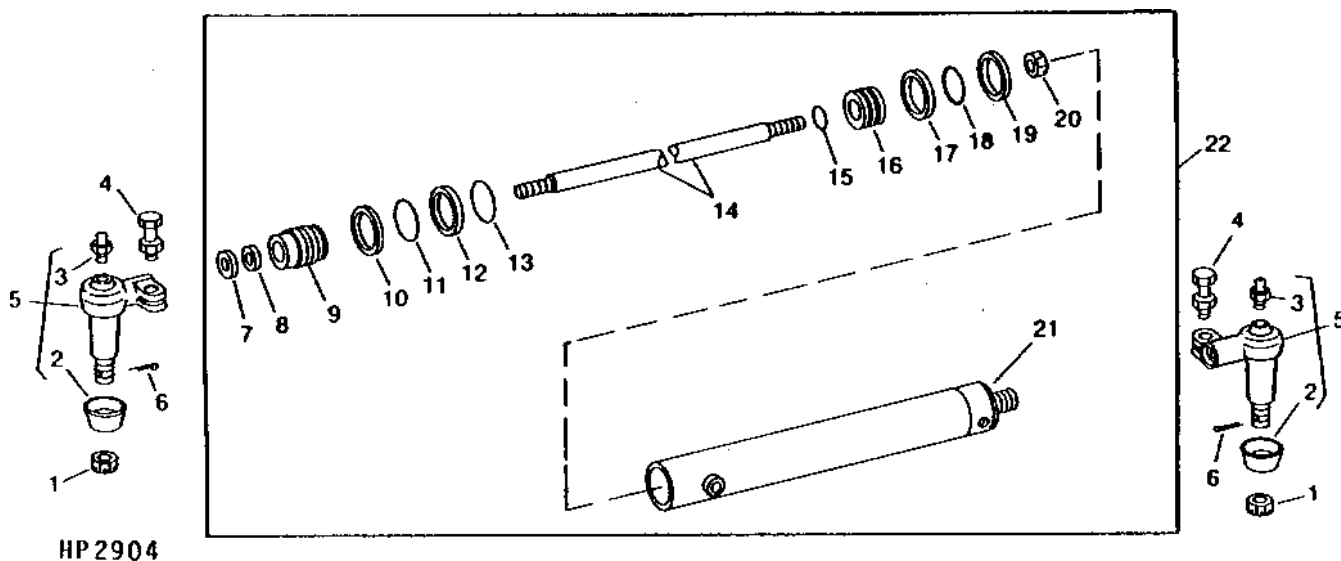
2F18

REAR AXLE TRASH SHIELD - CONTINUED

KEY	PART NO.	PART NAME	QTY	SERIAL NO.	REMARKS
1	19M7807	SCREW	4	M10 X 60	
2	24M7178	WASHER	12	10.500 X 30 X 2.500 MM	
3	14M7400	LOCK NUT	4	M10	
4	19M7807	SCREW	2	M10 X 60	
5	14M7296	FLANGE NUT	2	M10	
6	14M7274	NUT	2	M10	
7	H130388	STRAP	4		
8	AH137975	FRAME	1		
9	19M7819	SCREW	4	M12 X 90	
10	24M7180	WASHER	4	13 X 37 X 3 MM	
11	AH138233	LINK	2		
12	T62323	WASHER	4	13.487 X 51.054 X 3.175 MM	
13	14M7299	FLANGE NUT	4	M12	

2F19

STEERING CYLINDER
HP2904 -UN-01JAN94



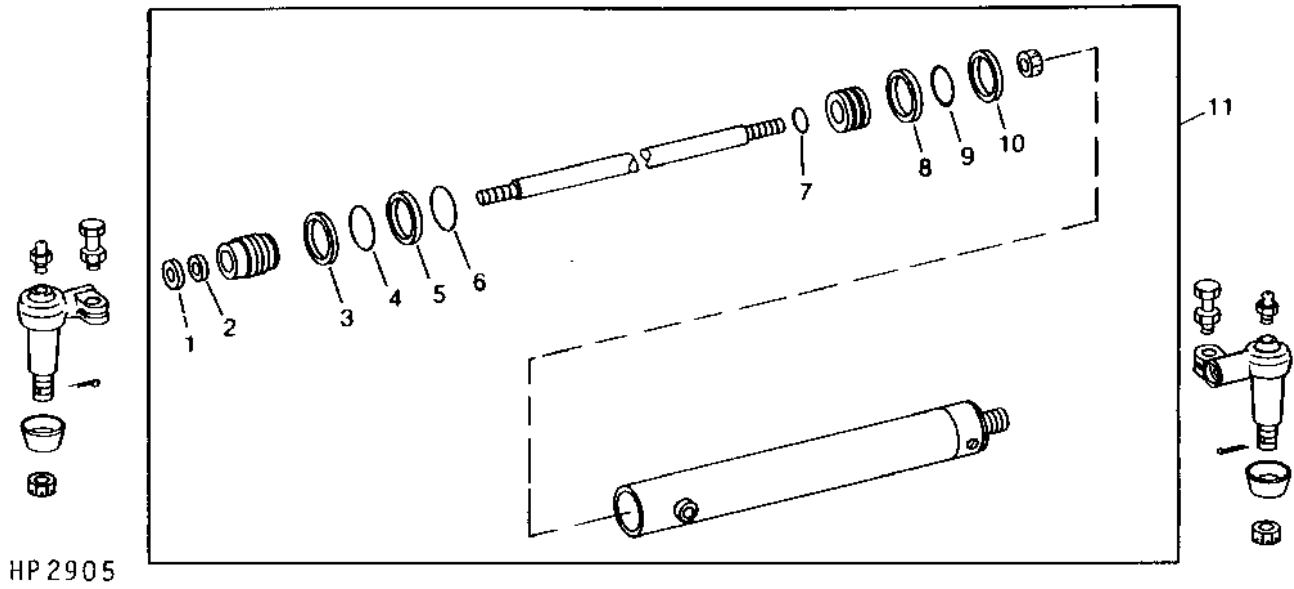
HP2904

KEY	PART NO.	PART NAME	QTY	SERIAL NO.	REMARKS
1	14H902	NUT	2	3/4"	
2	R78027	COVER	2		
3	JD7797	LUBRICATION FITTING	2		
4	19H1765	CAP SCREW	2	3/8" X 1-3/4" (USE WITH O.AND S.)	
	H99923	LOCK NUT	2	9.525 MM (3/8") (USE WITH O.AND S.)	
	19H1740	CAP SCREW	2	7/16" X 1-3/4" (USE WITH TRW)	
	H80440	LOCK NUT	2	11.125 MM (7/16") (USE WITH TRW)	
5	AH117566	TIE ROD END	2	(WITH COVER, ZERK AND CLAMP BOLT)	
6	11M7087	COTTER PIN	2	4 X 40 MM	
7	SEAL	1	(KIT AH101202)	
8	SEAL	1	(KIT AH101202)	
9	GUIDE	1		
10	SNAP RING	1	(KIT AH101202)	
11	RING	1	(KIT AH101202)	
12	WASHER	1	(KIT AH101202)	
13	O-RING	1	(KIT AH101202)	
14	ROD	1		
15	O-RING	1	(KIT AH101202)	
16	PISTON	1		
17	PISTON RING	1	(KIT AH101202)	
18	O-RING	1	(KIT AH101202)	
19	WEAR RING	1	(KIT AH101202)	
20	LOCK NUT	1		
21	HYDRAULIC CYLINDER BARREL	1		
22	AH125658	HYDRAULIC CYLINDER	1	(COMPLETE COMPONENT, LESS TIE ROD ENDS)	
..	AH101202	KIT	1	SEAL REPAIR	

NOTE: QUANTITIES SHOWN ARE FOR ONE UNIT. TWO UNITS USED PER MACHINE.

2F20

STEERING CYLINDER KIT
HP2905 -UN-01JAN94



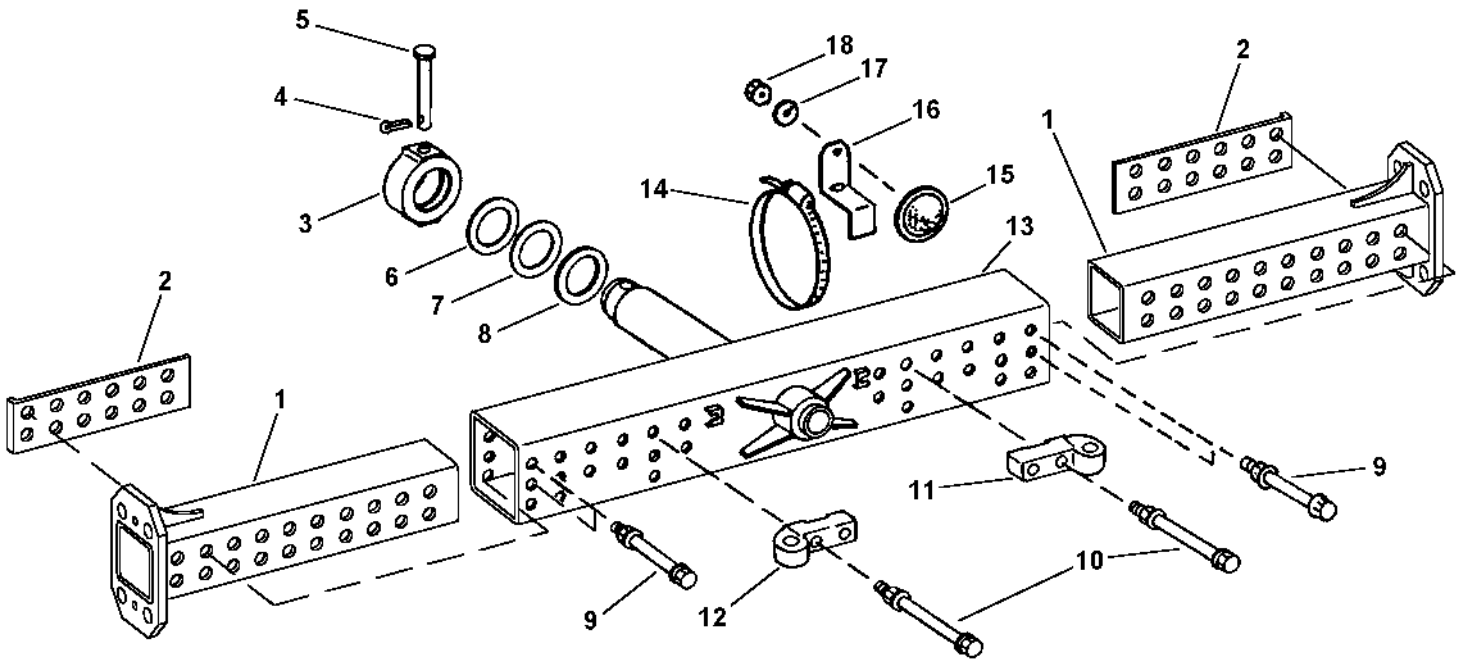
HP 2905

KEY	PART NO.	PART NAME	QTY	SERIAL NO.	REMARKS
1	SEAL	1		
2	SEAL	1		
3	RING	1		
4	RING	1		
5	WASHER	1		
6	O-RING	1		
7	O-RING	1		
8	PISTON RING	1		
9	O-RING	1		
10	RING	1		
11	AH101202	KIT	1		

2F21

STEERING AND BRAKES

REAR AXLE, ADJUSTABLE
HP7259 -UN-19NOV97



HP7259

KEY	PART NO.	PART NAME	QTY	SERIAL NO.	REMARKS
1	AH156773	TUBE	2		
2	H134549	PLATE	2		
3	H134547	BUSHING	1		
4	11M7028	COTTER PIN	1	5 X 32 MM	
5	H142107	PIN	1	20 X 180 MM	
6	H129709	WASHER	AR		
7	H115140	SHIM	AR		
8	H134548	WASHER	1		
9	19M7921	CAP SCREW	8	M20 X 150, (NON-POWERED)	
	19M7921	CAP SCREW	4	M20 X 150, (4-WHEEL DRIVE)	
	24M7242	WASHER	8	21.400 X 42 X 5 MM	
	H121472	BOLT	4	(4-WHEEL DRIVE) (CONVERSION)	
	14M7300	FLANGE NUT	8	M20	
10	19M7645	SCREW	4	M20 X 200	
	14M7300	FLANGE NUT	4	M20	
11	H130224	ANCHOR	1	(R.H.)	
12	H130223	ANCHOR	1	(L.H.)	
13	AH134813	REAR AXLE	1		
14	AH130230	HOSE CLAMP	2		EXPORT, THIS APPLICATION ONLY
15	L39871	REFLECTOR	2		EXPORT ONLY
16	H137955	CLAMP	2		EXPORT ONLY
17	12M7064	LOCK WASHER	2	5.100 MM, EXPORT, THIS APPLICATION ONLY	
18	14M7297	NUT	2	M5, EXPORT, THIS APPLICATION ONLY	

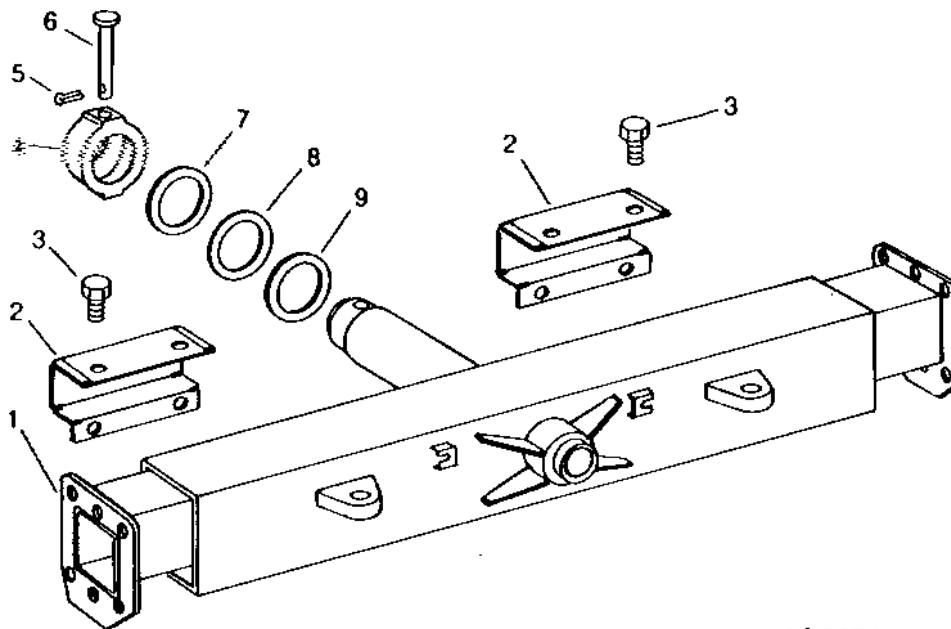
2F22

FIXED REAR AXLE

(GRAIN)

HP3373

-UN-01JAN94

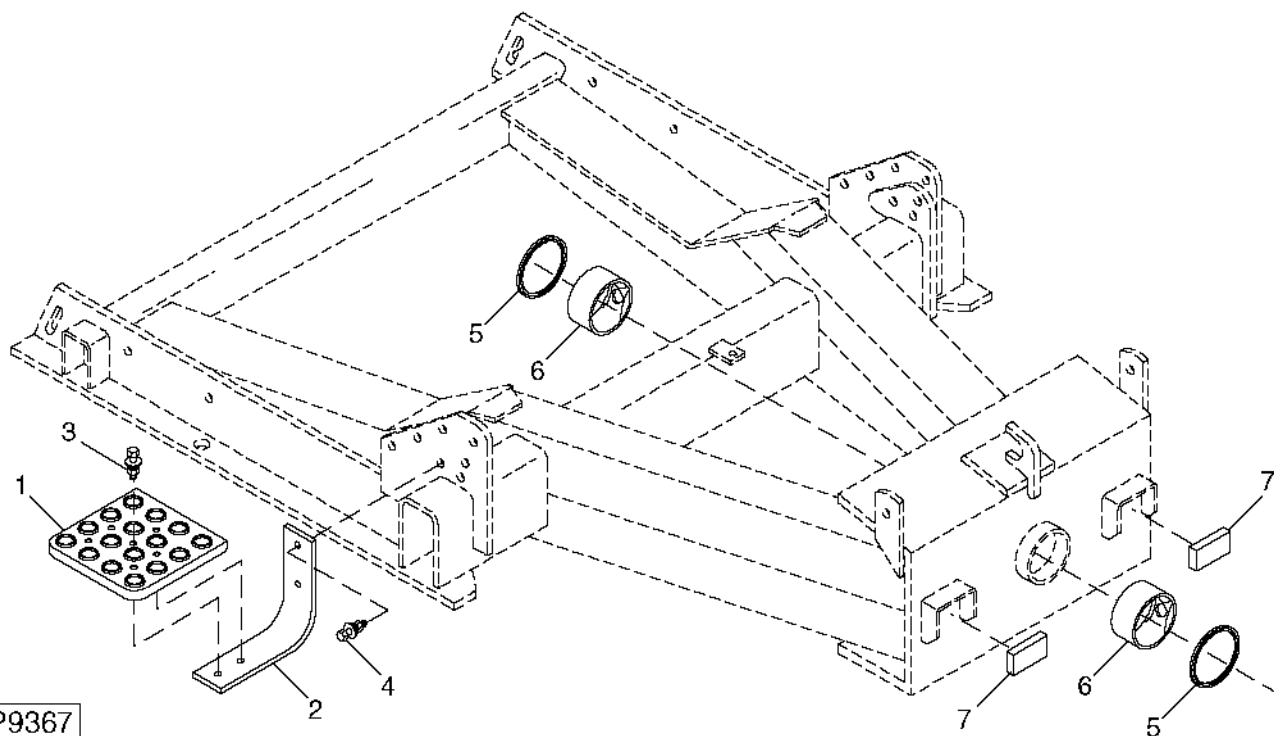


HP3373

KEY	PART NO.	PART NAME	QTY	SERIAL NO.	REMARKS
1	AH134814	AXLE	1		
2	H136115	SHIELD	2		(4-WHEEL DRIVE ONLY)
3	37M7086	SCREW	8		M10 X 20 (4-WHEEL DRIVE ONLY)
4	H134547	BUSHING	1		
5	11M7028	COTTER PIN	1		5 X 32 MM
6	H142107	PIN	1		20 X 180 MM
	H142107	PIN	1		20 X 180 MM (0.787" X 7.087")
7	H129709	WASHER	AR		128 X 158 X 1.270 MM (5.039" X 6.220" X 0.050")
8	H115140	SHIM	AR		0.635 MM (0.025")
9	H134548	WASHER	1		128 X 158 X 3 MM (5.039" X 6.220" X 0.118")
..	C16071	SEALANT	1		
..	BH78882	COMPLETE GOODS/SHIP. BUNDLE	1		SHIELDS

2F23

REAR AXLE SUPPORT
HP9367 -UN-06DEC99

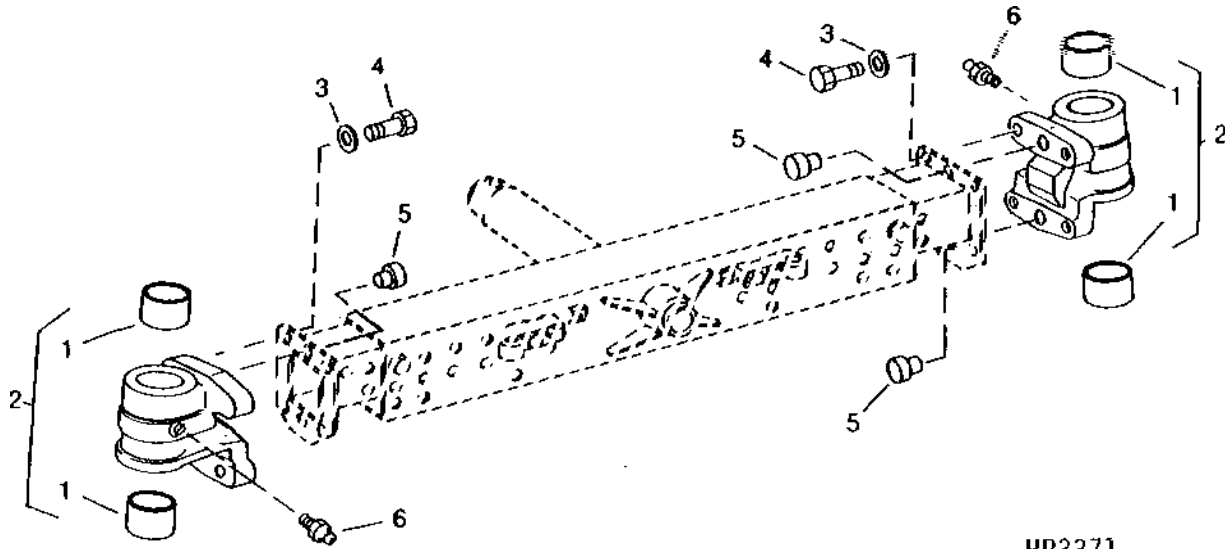


KEY	PART NO.	PART NAME	QTY	SERIAL NO.	REMARKS
1	R84943	STEP	1		SERVICE ONLY
2	H133320	BRACKET	1		SERVICE ONLY
3	19M7785	SCREW	2		M10 X 25
	14M7298	FLANGE NUT	2		M8
4	19M7835	SCREW	2		M10 X 35
	14M7298	FLANGE NUT	2		M8
5	AH112284	SEAL	2		
6	H138410	BUSHING	2		(HEAT TREATED)
7	H151739	REINFORCEMENT	2		

MEMORANDA

2F24

**REAR AXLE SPINDLE HOUSING
(FIXED AND ADJUSTABLE REAR AXLE)**
HP3371 -UN-01JAN94



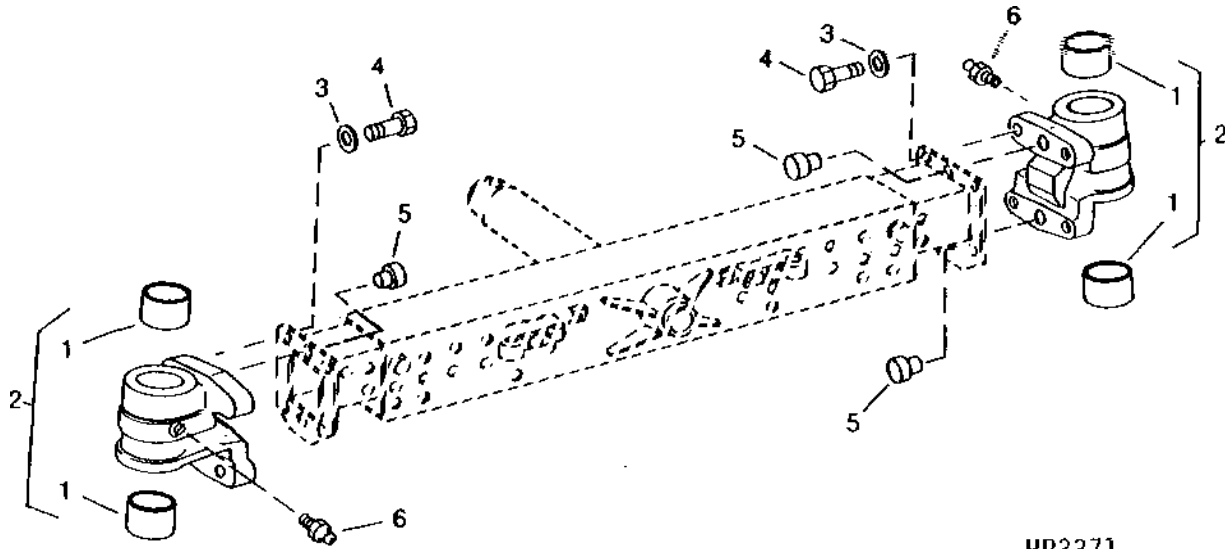
HP3371

KEY	PART NO.	PART NAME	QTY	SERIAL NO.	REMARKS
1	H158884	BUSHING	4		
2	AH156821	HOUSING	2		
3	H144293	WASHER	8		0.787" X 1.772" X 0.394"
4	H86161	BOLT	8		19.050 X 57.150 MM (3/4" X 2-1/4")
5	H75423	PIN	4		22.073 X 19.812 MM (0.869" X 0.780")
6	JD7759	LUBRICATION FITTING	2		

2F25

**REAR AXLE SPINDLE HOUSING - GRAIN
(FIXED AND ADJUSTABLE REAR AXLE)**

HP3371 -UN-01JAN94



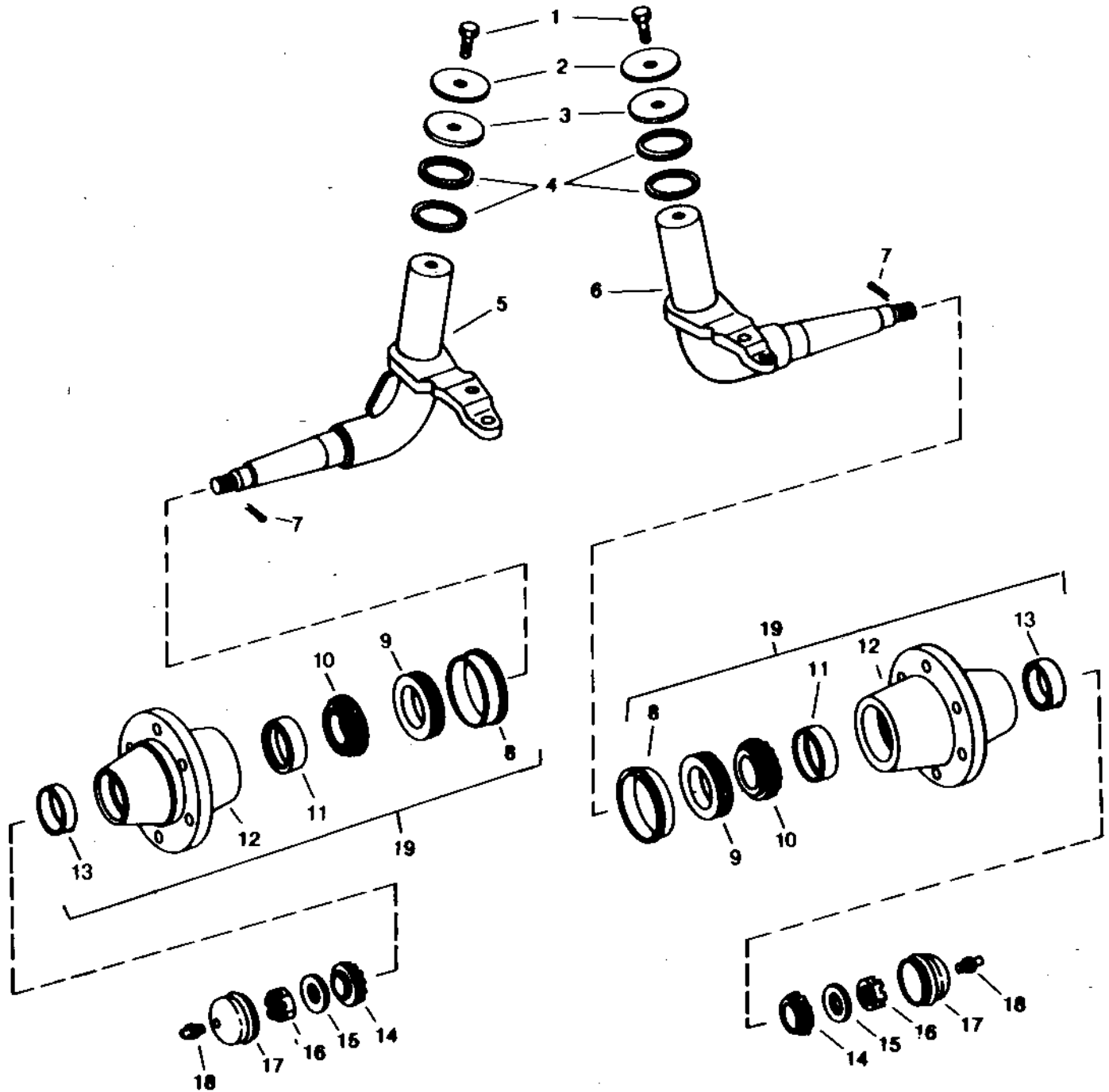
HP3371

KEY	PART NO.	PART NAME	QTY	SERIAL NO.	REMARKS
1	H158884	BUSHING	4		
2	AH156821	HOUSING	2		
3	H144293	WASHER	1		
4	19H3126	CAP SCREW	8		20 X 45 X 10 MM (0.787" X 1.772" X 0.394")
5	H75423	PIN	4		3/4" X 2-1/4"
6	JD7759	LUBRICATION FITTING	2		22.073 X 19.812 MM (0.869" X 0.780")

2G1

REAR AXLE SPINDLES (FOR 14.9 - 24 TIRES)
(FIXED AND ADJUSTABLE REAR AXLE)

HP5915 -UN-14FEB95

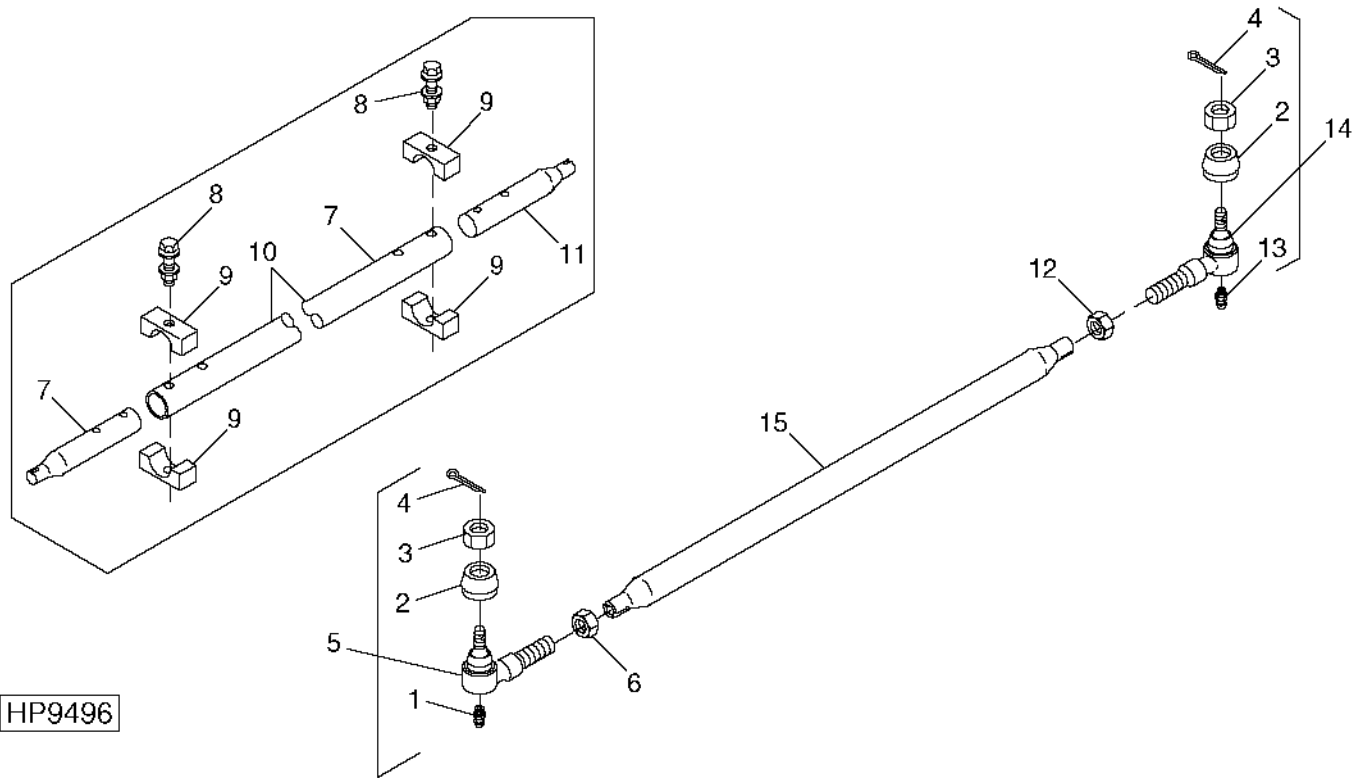


HP5915

**REAR AXLE SPINDLES (FOR 14.9 - 24 TIRES) - CONTINUED
(FIXED AND ADJUSTABLE REAR AXLE)**

KEY	PART NO.	PART NAME	QTY	SERIAL NO.	REMARKS
1	19H1895	CAP SCREW	2	1/2" X 3/4"	
2	24H1916	WASHER	2	17/32" X 3-1/2" X 0.180"	
3	H96869	CAP	2		
4	H102206	THRUST BEARING	4		
5	AH125654	SPINDLE	1	(L.H.)	
6	AH125655	SPINDLE	1	(R.H.)	
7	11M7030	COTTER PIN	2	5 X 40 MM	
8	H94951	SLEEVE	2		
9	AH93892	SEAL	2		
10	JD8952	BEARING	2		
11	JD8258	BEARING CUP	2		
12	HUB	2	(SUB AH130871)	
13	JD8237	BEARING CUP	2		
14	JD8902	BEARING CONE	2		
15	R30399	WASHER	2	1-1/32" X 2-1/4" X 1/4"	
16	14H920	NUT	2	1"	
17	H94950	CAP	2		
18	JD7759	LUBRICATION FITTING	2	STRAIGHT, 1/8"	
19	AH130871	HUB	2	(INCLUDES H94951, JD8258 AND JD8237, AH162573)	
	AH162573	HUB	2		

STEERING TIE RODS - GRAIN
(FIXED REAR AXLE)
(4-WHEEL DRIVE)
HP9496 -UN-18JAN00



HP9496

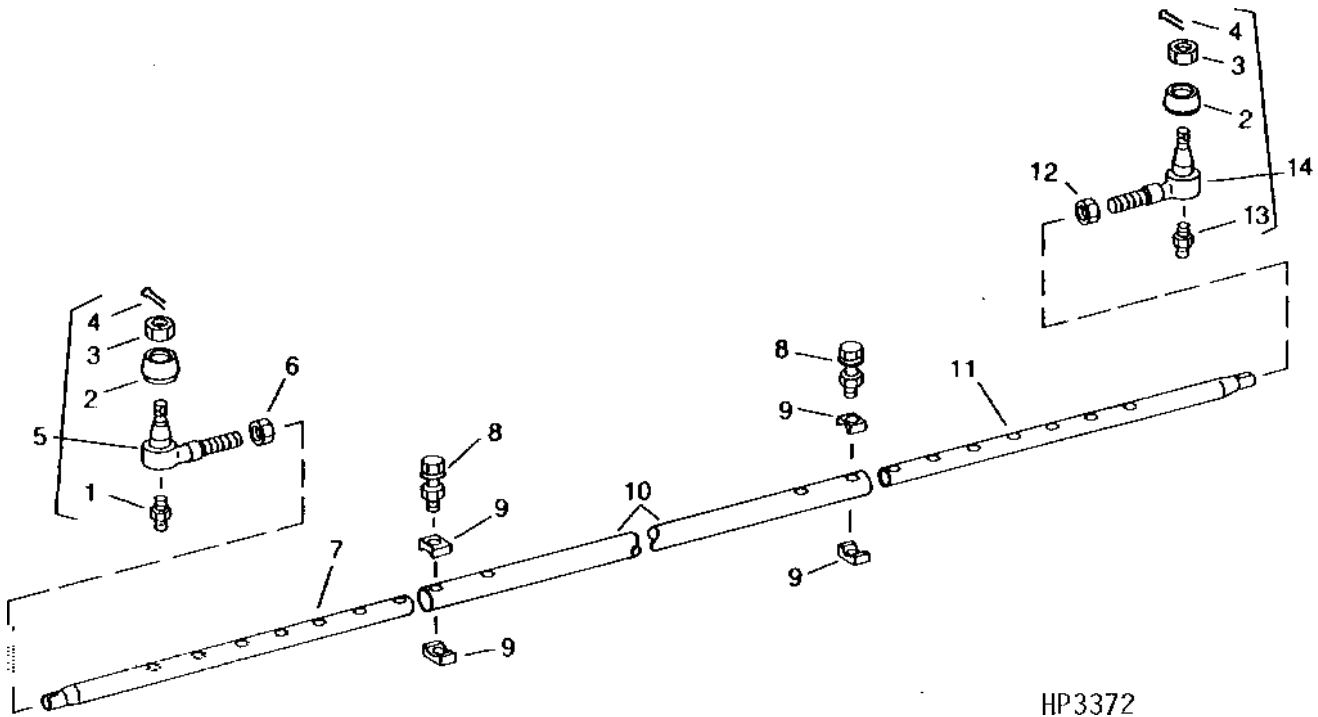
2G4

STEERING AND BRAKES

STEERING TIE RODS - GRAIN - CONTINUED (FIXED REAR AXLE) (4-WHEEL DRIVE)

KEY	PART NO.	PART NAME	QTY	SERIAL NO.	REMARKS
1	JD7797	LUBRICATION FITTING	1		
2	R78027	COVER	2		(TRW ONLY)
3	14H902	NUT	2		3/4"
4	11M7092	COTTER PIN	2	-675649	3.200 X 40 MM
	11M7087	COTTER PIN	2	675650-	4 X 40 MM
5	RE12326	TIE ROD END	1		(L.H.THREAD)
6	R78026	NUT	1		28.575 MM (1-1/8") (L.H.)
7	H136335	TUBE	1		(L.H.) (SUB H173218)
8	19M7820	SCREW	4		M12 X 100
	14M7401	LOCK NUT	4		M12
9	H139807	CLAMP	8		
10	H140382	TUBE	1		
11	H136334	TUBE	1		(R.H.) (SUB H173218)
12	R78025	LOCK NUT	1		28.575 MM (1-1/8") (R.H.)
13	JD7788	LUBRICATION FITTING	1		45° X 20.574 MM LONG (0.810" LONG)
14	RE12325	TIE ROD END	1		(R.H.THREAD)
15	H173218	TUBE	1		(SUB FOR H136334 OR H136335)
..	BH79199	COMPLETE GOODS/SHIP. BUNDLE	1		POWERED REAR AXLE CONVERSION (TIE ROD)

STEERING TIE RODS
(ADJUSTABLE REAR AXLE)
(NON-POWERED AND 4-WHEEL DRIVE)
HP3372 -UN-01JAN94



HP3372

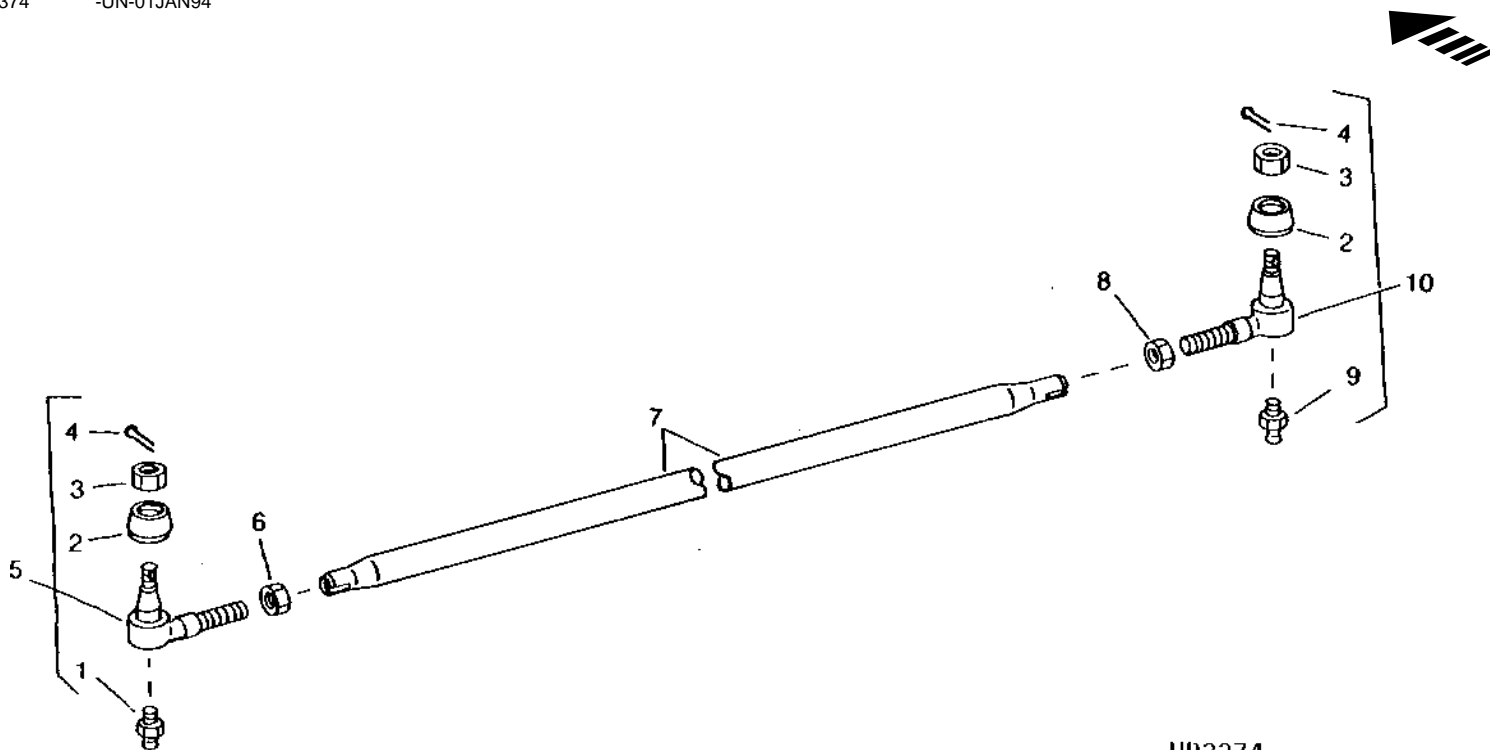
2G6

STEERING AND BRAKES

**STEERING TIE RODS - CONTINUED
(ADJUSTABLE REAR AXLE)
(NON-POWERED AND 4-WHEEL DRIVE)**

KEY	PART NO.	PART NAME	QTY	SERIAL NO.	REMARKS
1	JD7797	LUBRICATION FITTING	1		
2	R78027	COVER	2		(TRW ONLY)
3	14H902	NUT	2		3/4"
4	11M7092	COTTER PIN	2	-675649	3.200 X 40 MM
	11M7087	COTTER PIN	2	675650-	4 X 40 MM
5	RE12326	TIE ROD END	1		(L.H.THREAD)
6	R78026	NUT	1		28.575 MM (1-1/8") (L.H.)
7	H130227	TUBE	1		(L.H.)
8	19M7820	SCREW	4		M12 X 100
	14M7401	LOCK NUT	4		M12
9	H139807	CLAMP	8		
10	H140382	TUBE	1		(CENTER)(NON-POWERED REAR AXLE)
	H140383	TUBE	1		
11	H130228	TUBE	1		(R.H.THREAD) CAN BE REVERSED IN INSTALLATION, - FIT TIE ROD ENDS BY LH OR RH THREAD.
12	R78025	LOCK NUT	1		(R.H.)
13	JD7806	LUBRICATION FITTING	1		90° X 19.050 MM LONG (3/4" LONG)
14	RE12325	TIE ROD END	1		(R.H.THREAD)

**STEERING TIE RODS - GRAIN
(FIXED REAR AXLE)
(NON-POWERED)**
HP3374 -UN-01JAN94

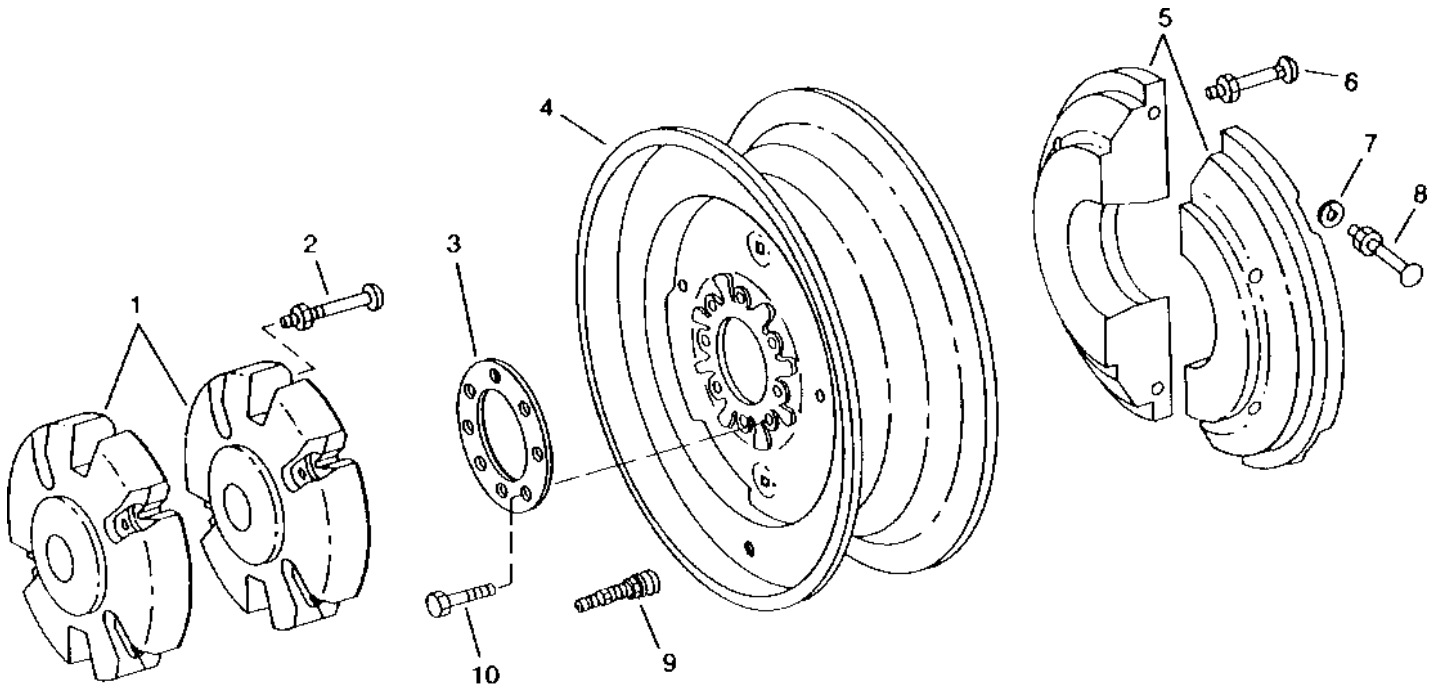


HP3374

KEY	PART NO.	PART NAME	QTY	SERIAL NO.	REMARKS
1	JD7797	LUBRICATION FITTING	1		
2	R78027	COVER	2		(TRW ONLY)
3	14H902	NUT	2		3/4"
4	11M7092	COTTER PIN	2	-675649	3.200 X 40 MM
	11M7087	COTTER PIN	2	675650-	4 X 40 MM
5	RE12326	TIE ROD END	1		(L.H.THREAD)
6	R78026	NUT	1		28.575 MM (1-1/8") (L.H.)
7	H134557	TUBE	1		CAN BE REVERSED IN INSTALLATION. FIT TIE ROD END BY LEFT HAND OR RIGHT HAND THREAD.
8	R78025	LOCK NUT	1		28.575 MM (1-1/8") (R.H.)
9	JD7788	LUBRICATION FITTING	1		
10	RE12325	TIE ROD END	1		(R.H.THREAD)

MEMORANDA

REAR WHEELS AND WHEEL WEIGHTS
HP3379 -UN-01JAN94



HP3379

REAR WHEELS AND WHEEL WEIGHTS - CONTINUED

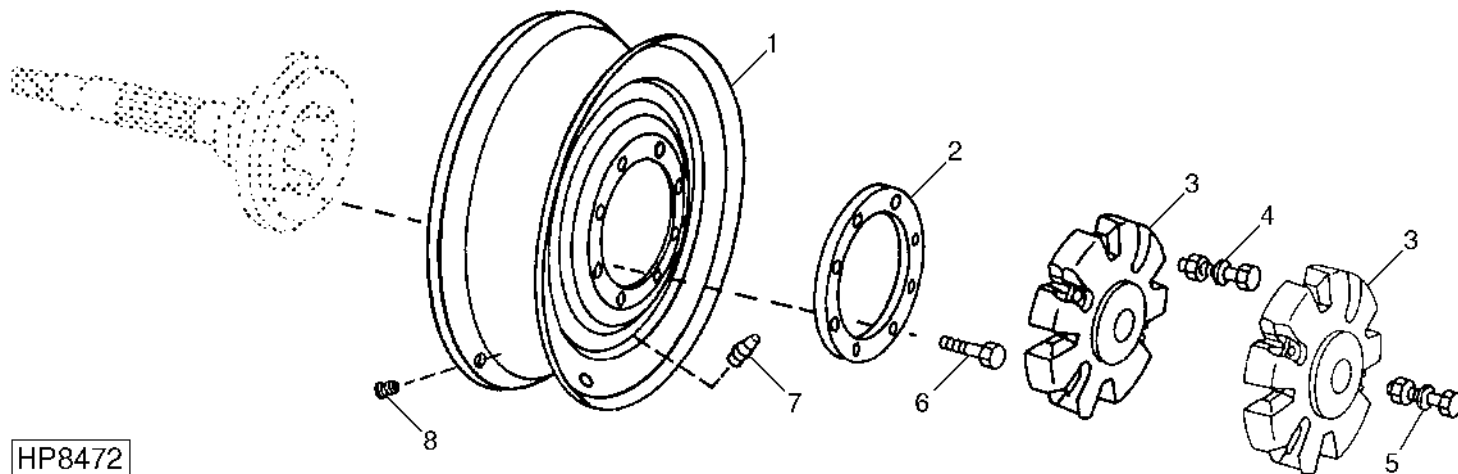
KEY	PART NO.	PART NAME	QTY	SERIAL NO.	REMARKS
1	H103543	WEIGHT	AR		OUTSIDE (USE 1 OR 2)
2	03H1858	BOLT	4		5/8" X 3-1/2"
	12H294	LOCK WASHER	4		5/8"
	14H1039	NUT	4		5/8"
3	H84375	RING	1		
4	AH122100	WHEEL	1		(W12H-24)
	AH144695	WHEEL	1		(26XDW25A) (SUB AH167584)
	AH167584	WHEEL	1		(26XDW25A)
	AH167434	WHEEL	1		(DW14X26) (SUB FOR AH135217)
5	H95547	WEIGHT	1		INSIDE
6	03H1605	BOLT	4		5/8" X 4" (WITH INSIDE WEIGHTS)
	03H1860	BOLT	4		5/8" X 6" (WITH INSIDE AND OUTSIDE WEIGHTS)
	12H294	LOCK WASHER	4		5/8"
	14H1039	NUT	4		5/8"
7	24H1111	WASHER	2		17/32" X 1-1/16" X 0.090"
8	03H1852	BOLT	2		1/2" X 4"
	12H301	LOCK WASHER	2		1/2"
	14H1040	NUT	2		1/2"
9	AT25226	TIRE VALVE STEM	1		
10	H163491	CAP SCREW	4		
..	H145995	LABEL	2		"IMPORTANT" WHEEL BOLT TORQUE
..	H150646	DECAL	2		"IMPORTANT" 15 PSI (103 KPA) (28L X 26-10 OR 12 PLY TIRE) (68 X 50-32 16 PLY TIRE)
..	H174266	LABEL	2		(SUB FOR H151575) "IMPORTANT" ON AXLE STOP (28L X 26-10 OR 12 PLY TIRE)
..	H111541	LABEL	2		"IMPORTANT" 40 PSI (275 KPA) (11.0 X 24-8 PLY TIRES)
..	H140709	LABEL	2		"IMPORTANT" 40 PSI (275 KPA) (11.0 X 24-8 PLY TIRES)
..	H153728	LABEL	2		TIRE CLEARANCE (18.4 X 30 R2 TIRES ONLY)
..	H140710	LABEL	2		TIRE PRESSURE (16.9 X 26 X 10 TIRES) 34 PSI
..	BH71727	COMPLETE GOODS/SHIP. BUNDLE	1		WHEEL WEIGHTS - OUTSIDE
..	BH71728	COMPLETE GOODS/SHIP. BUNDLE	1		WHEEL WEIGHTS - AUXILIARY
..	BH71735	COMPLETE GOODS/SHIP. BUNDLE	1		WHEEL WEIGHTS - OUTSIDE
..	BH80133	COMPLETE GOODS/SHIP. BUNDLE	1		4-WHEEL DRIVE CONVERSION

NOTE: QUANTITIES SHOWN ARE FOR ONE UNIT. TWO UNITS USED PER MACHINE.

2G10

**REAR WHEELS
(4-WHEEL DRIVE / CAM LOBE MOTOR)**

HP8472 -UN-21APR99



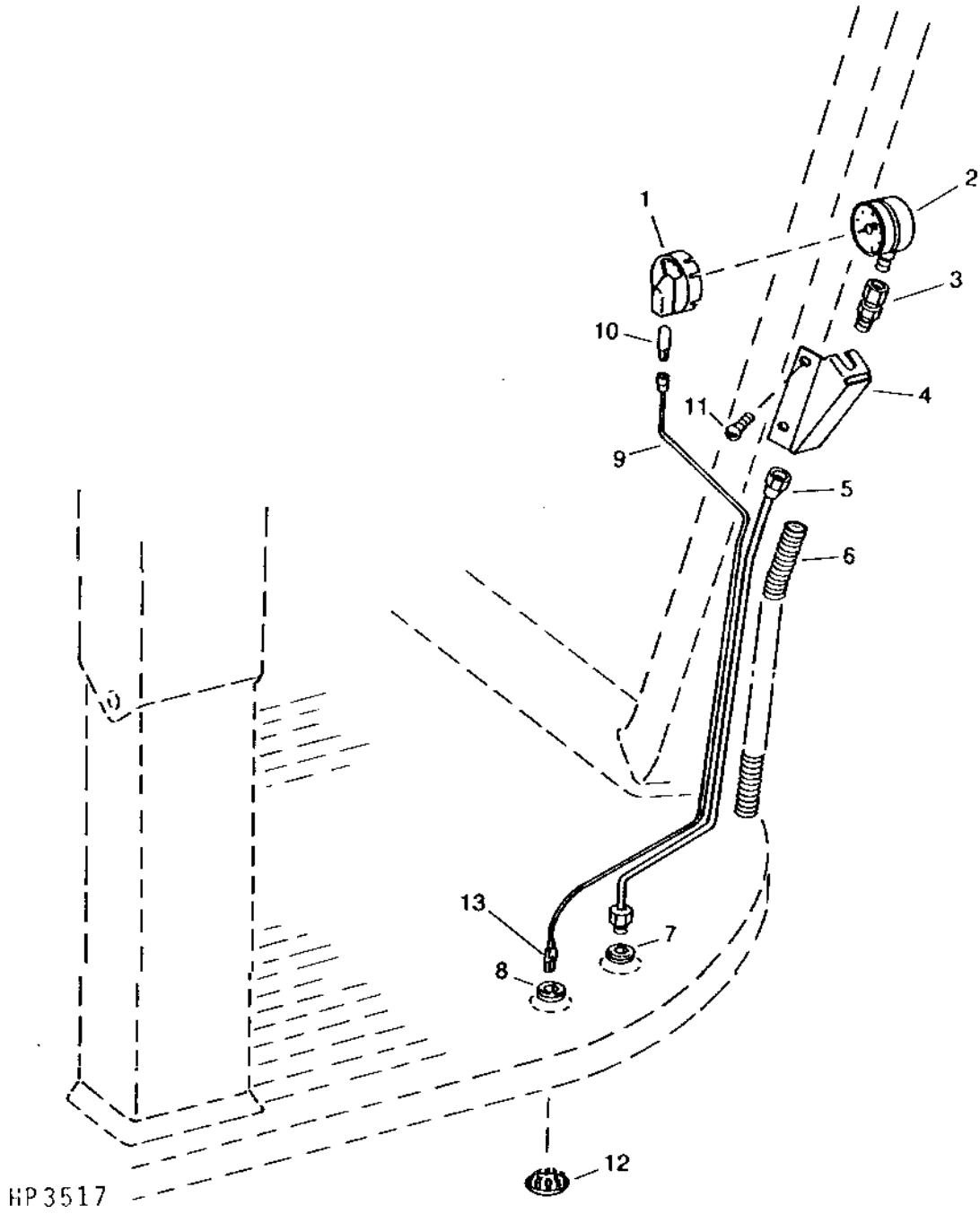
KEY	PART NO.	PART NAME	QTY	SERIAL NO.	REMARKS
1	AH64610	WHEEL	1	(DW16X26) (SUB AH167582)	
	AH167582	WHEEL CENTER	1	(DW16X26)	
	AH138809	WHEEL	1	(DW16X30)	
2	H84375	RING	1		
3	H103543	WEIGHT	2	(OPTIONAL)	
4	03H2075	BOLT	4	5/8" X 3"	
	12H294	LOCK WASHER	4	5/8"	
	14H1039	NUT	4	5/8"	
5	03H1858	BOLT	4	5/8" X 3-1/2"	
	12H294	LOCK WASHER	4	5/8"	
	14H1039	NUT	4	5/8"	
6	H163491	CAP SCREW	8		
7	AT25226	TIRE VALVE STEM	1		
8	AH86866	PLUG	1		
..	H145995	LABEL	2	"IMPORTANT" WHEEL BOLT TORQUE	
..	H108604	LABEL	2	"IMPORTANT" WHEEL BOLT TORQUE	
..	BH71727	COMPLETE GOODS/SHIP. BUNDLE	1	WHEEL WEIGHTS - OUTSIDE	
..	BH71728	COMPLETE GOODS/SHIP. BUNDLE	1	WHEEL WEIGHTS - AUXILIARY	
..	BH71735	COMPLETE GOODS/SHIP. BUNDLE	1	WHEEL WEIGHTS - OUTSIDE	

NOTE: QUANTITIES SHOWN ARE FOR ONE UNIT. TWO UNITS USED PER MACHINE.

MEMORANDA

2G14

ACCUMULATOR PRESSURE GAUGE AND WIRING HARNESS
HP3517 -UN-01JAN94



2G15

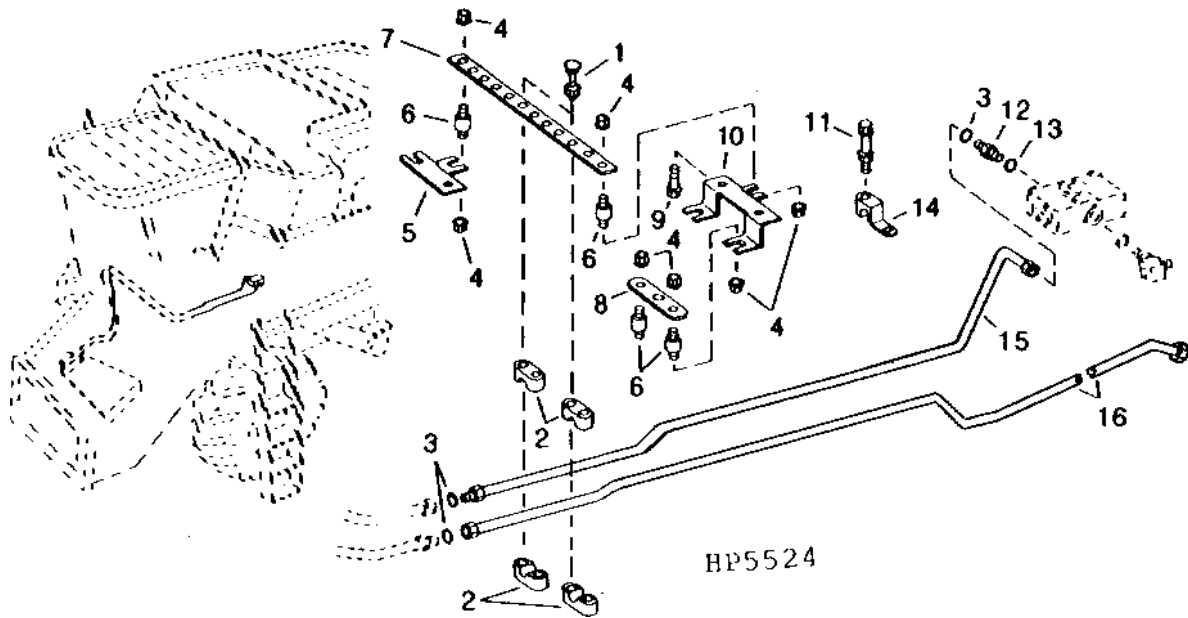
HYDRAULICS

ACCUMULATOR PRESSURE GAUGE AND WIRING HARNESS - CONTINUED

KEY	PART NO.	PART NAME	QTY	SERIAL NO.	REMARKS
1	H111378	COVER	1		
2	AH108080	PRESSURE GAUGE	1		
3	AB18206	ADAPTER	1		(WITH JAM NUT)
4	AH132832	BRACKET	1		
5	AH132027	OIL LINE	1		
6	H137523	CONDUIT	1		
7	T65643	GROMMET	1		
8	T63817	GROMMET	1		
9	AH134205	WIRING LEAD	1		
10	AH108380	BULB	1		
11	H165691	SCREW	2		M6 X 20 M6 X 20, (SUB FOR H131591 OR H168780)
12	R32239	PLUG	2		USE WITHOUT ACCUM. GAUGE
13	RE12363	CONNECTOR	1		(PKG OF 3)
	R78048	TERMINAL NIPPLE	1		(PKG OF 5)
..	BH80267	COMPLETE GOODS/SHIP. BUNDLE	1		WITH FLOAT INDICATOR

2G16

REEL DRIVE HYDRAULIC LINES AND HOSES, L.H. SIDE
HP5524 -UN-01JAN94



2G17

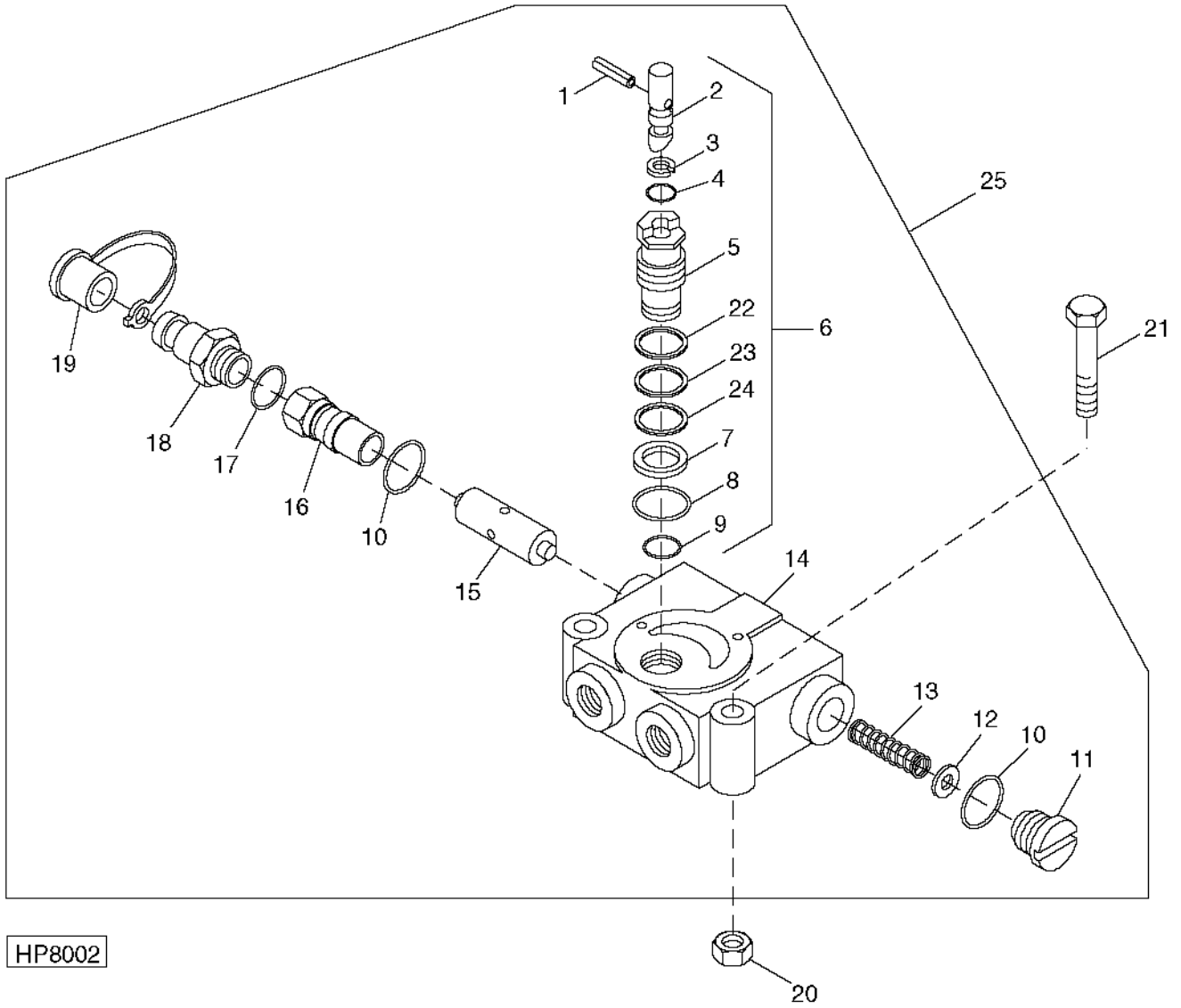
HYDRAULICS

REEL DRIVE HYDRAULIC LINES AND HOSES, L.H. SIDE - CONTINUED

KEY	PART NO.	PART NAME	QTY	SERIAL NO.	REMARKS
1	03M7189	BOLT	4		M8 X 45
	14M7298	FLANGE NUT	4		M8
2	H115533	CLAMP	4		
3	T77932	O-RING	3		15.596 X 1.778 MM (0.614" X 0.070")
4	N10217	LOCK NUT	8		6.350 MM (1/4")
5	H134427	BRACKET	1		
6	AH126657	ISOLATOR	4		
7	H140298	STRAP	1		
8	H134425	STRAP	1		
9	37M7058	SCREW	4		M8 X 20
10	H140298	STRAP	1		ROUND HOLES
11	19M7801	SCREW	1		M8 X 60
	14M7298	FLANGE NUT	1		M8
12	38H1162	ADAPTER	1		
13	R26906	O-RING	1		19.177 X 2.464 MM (0.755" X 0.097")
14	H112162	CLAMP	1		
15	AH140934	OIL LINE	1		(PRESSURE)
16	AH143436	LINE	1		(RETURN)

2G18

REEL DRIVE FLOW CONTROL VALVE
HP8002 -UN-02MAR99



2G19

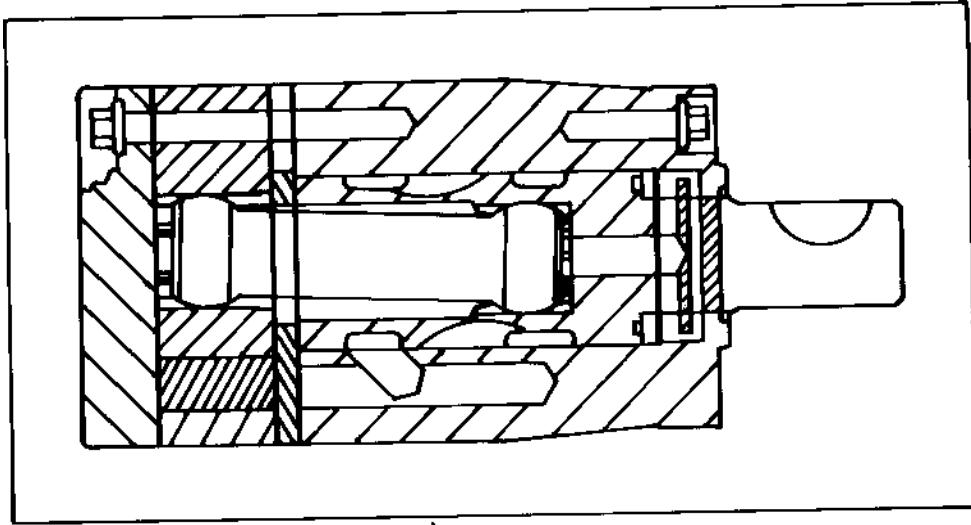
HYDRAULICS

REEL DRIVE FLOW CONTROL VALVE - CONTINUED

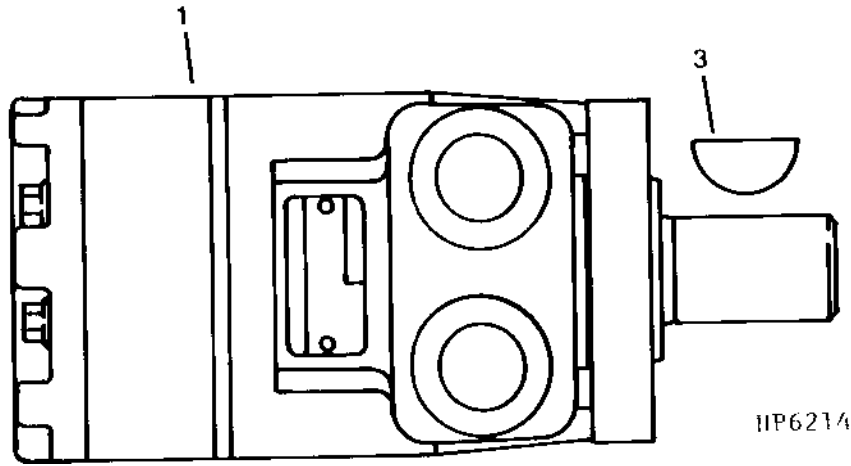
KEY	PART NO.	PART NAME	QTY	SERIAL NO.	REMARKS
1	GROOVE PIN	1		
2	STEM	1		
3	BACK-UP RING	1	(A)	
4	O-RING	1	(A)	
5	PLUG	1		
6	AH140903	KIT	1		
7	BACK-UP RING	1	(A)	
8	O-RING	1	(A)	
9	O-RING	1	(A)	
10	H63289	O-RING	2	(A)	20.295 X 2.616 MM
11	PLUG	1		
12	SHIM	1		
13	SPRING	1		
14	HOUSING	1		
15	SPOOL	1		
16	PLUG	1		
17	R26448	O-RING	1	(A)	11.887 X 1.981 MM
18	AH125760	HYD. QUICK-CONNECT COUPLER	1		DIAGNOSTIC
19	R77175	COVER	1		
20	14M7298	FLANGE NUT	2		M8
21	19M7801	SCREW	2		M8 X 60
22	SHIM	AR		
23	SHIM	AR		
24	SHIM	AR		
25	AH140902	CHECK VALVE	1		
..	AH136248	SEAL KIT	1		INCLUDES PARTS MARKED (A)

2G20

CHAFF SPREADER MOTOR (EATON)
HP6214 -UN-06DEC95



2



HP6214

2G21

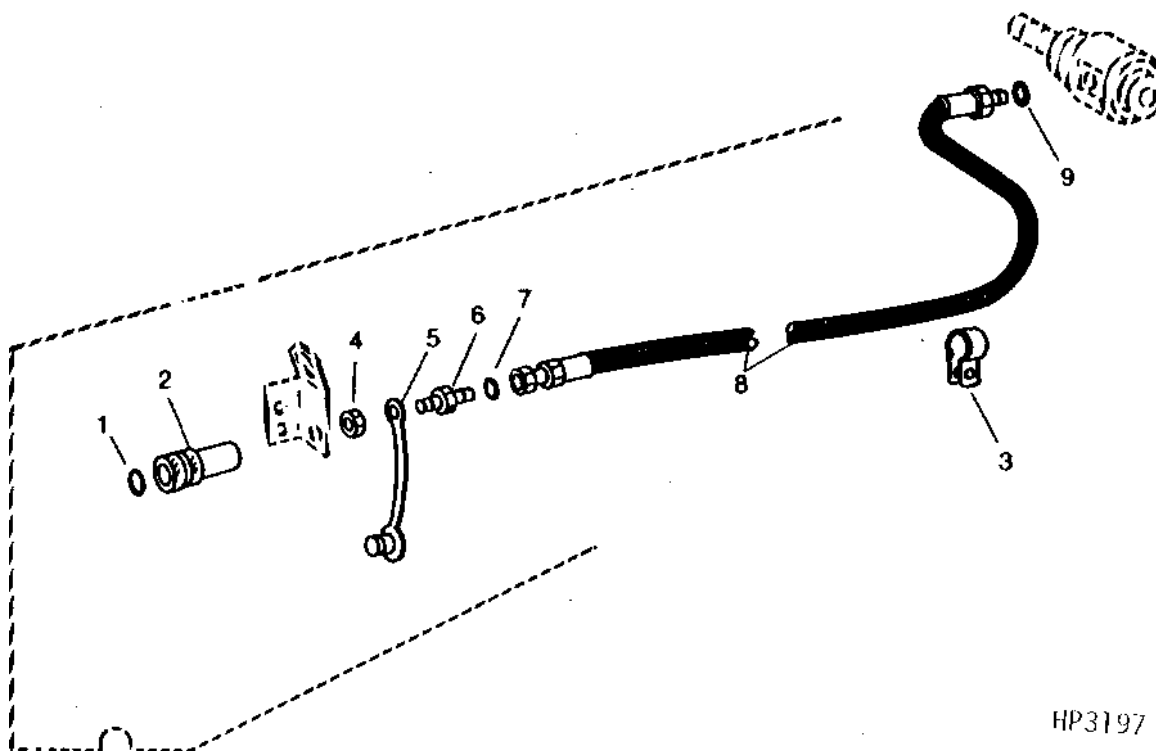
HYDRAULICS

CHAFF SPREADER MOTOR (EATON) - CONTINUED

KEY	PART NO.	PART NAME	QTY	SERIAL NO.	REMARKS
1	AH141858	MOTOR	1		
2	AH144831	SEAL KIT	1		
3	26H22	SHAFT KEY	1		6.350 X 25.400 MM (1/4" X 1") WOODRUFF

FEEDER HOUSE VARIABLE DRIVE HYDRAULIC HOSE

HP3197 -UN-01JAN94



HP3197

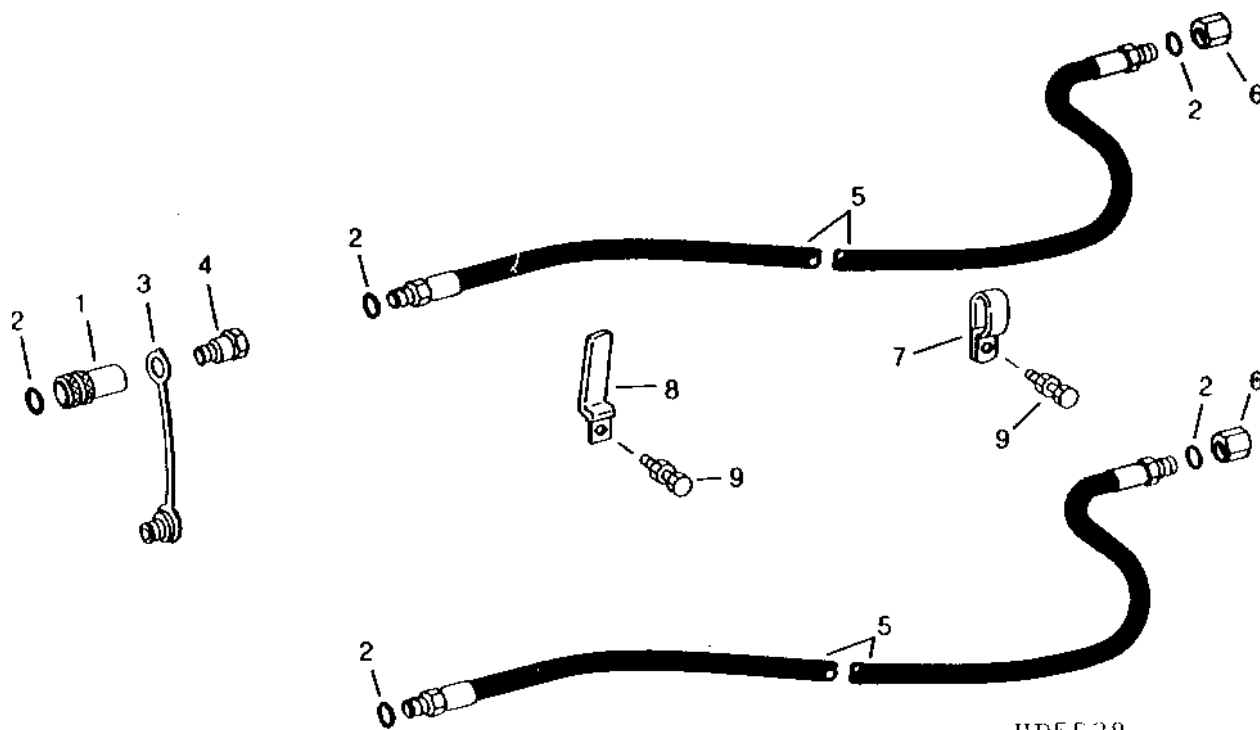
KEY	PART NO.	PART NAME	QTY	SERIAL NO.	REMARKS
1	R26375	O-RING	1		16.358 X 2.210 MM (0.644" X 0.087")
2	AH75167	HYD. QUICK-CONNECT COUPLER	1		(INCLUDES INTERNAL O-RING)
3	AH78125	CLIP	1		
4	T27523	CLAMP	1		
5	T81029	NUT	1		17.475 MM (11/16")
6	H125403	PLUG	1		
7	AH121643	ORIFICE	1		
8	T77613	O-RING	1		9.246 X 1.778 MM (0.364" X 0.070")
8	AH156388	HYDRAULIC HOSE - FABRICATE	1	-675670	
9	AH131332	HYDRAULIC HOSE	1	675671-	6.35MM ID X 1115MM LONG X 7/16-20
9	R28782	O-RING	1		8.915 X 1.829 MM (0.351" X 0.072")
..	BH79019	COMPLETE GOODS/SHIP. BUNDLE	1		HEADER CONVERSION KIT (1984-87)

2G23

HYDRAULICS

200 SERIES CUTTING PLATFORM HYDRAULIC CONVERSION PARTS

HP5528 -UN-01JAN94



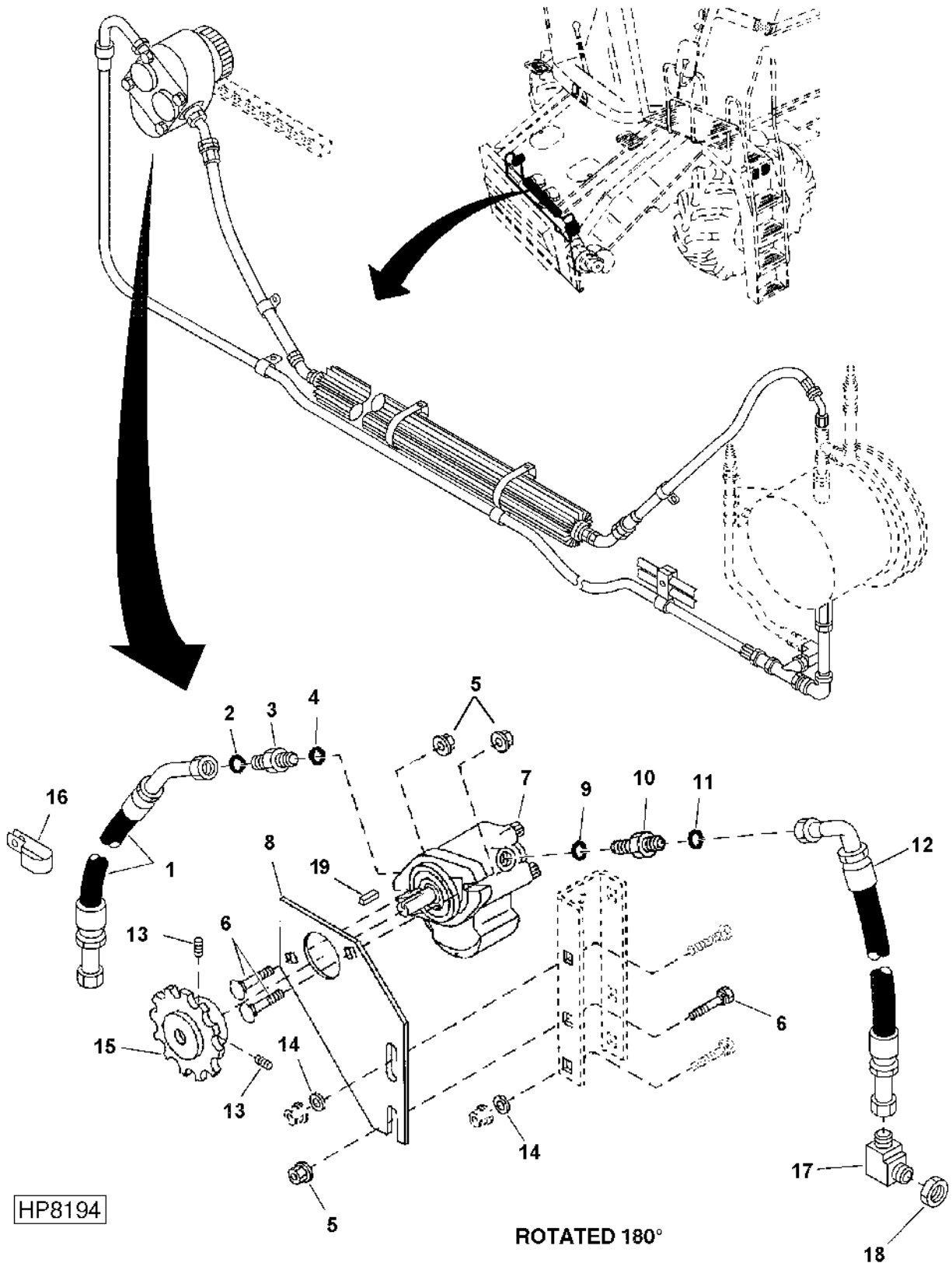
HP5528

KEY	PART NO.	PART NAME	QTY	SERIAL NO.	REMARKS
1	AH75167	HYD. QUICK-CONNECT COUPLER	1		(INCLUDES INTERNAL O-RING)
2	R26375	O-RING	5		16.358 X 2.210 MM (0.644" X 0.087")
3	H125403	PLUG	1		
4	H35112	ADAPTER	1		
5	AH130936	HYDRAULIC HOSE	2		3/4" X 2 640 MM (104") X 3/4"
6	R30815	FITTING	2		
7	AH77869	CLIP	3		
8	AH78124	CLIP	1		
9	19M7866	SCREW	4		M8 X 20
	14M7298	FLANGE NUT	4		M8
..	BH79019	COMPLETE GOODS/SHIP. BUNDLE	1		HEADER CONVERSION KIT (1984-87)

2G24

FEEDER HOUSE GEARCASE COOLER LUBE OIL PUMP, WITH OUT DUST SUPPRESSION (AUSTRALIA ONLY)

HP8194 -UN-28JAN99



2G25

HYDRAULICS

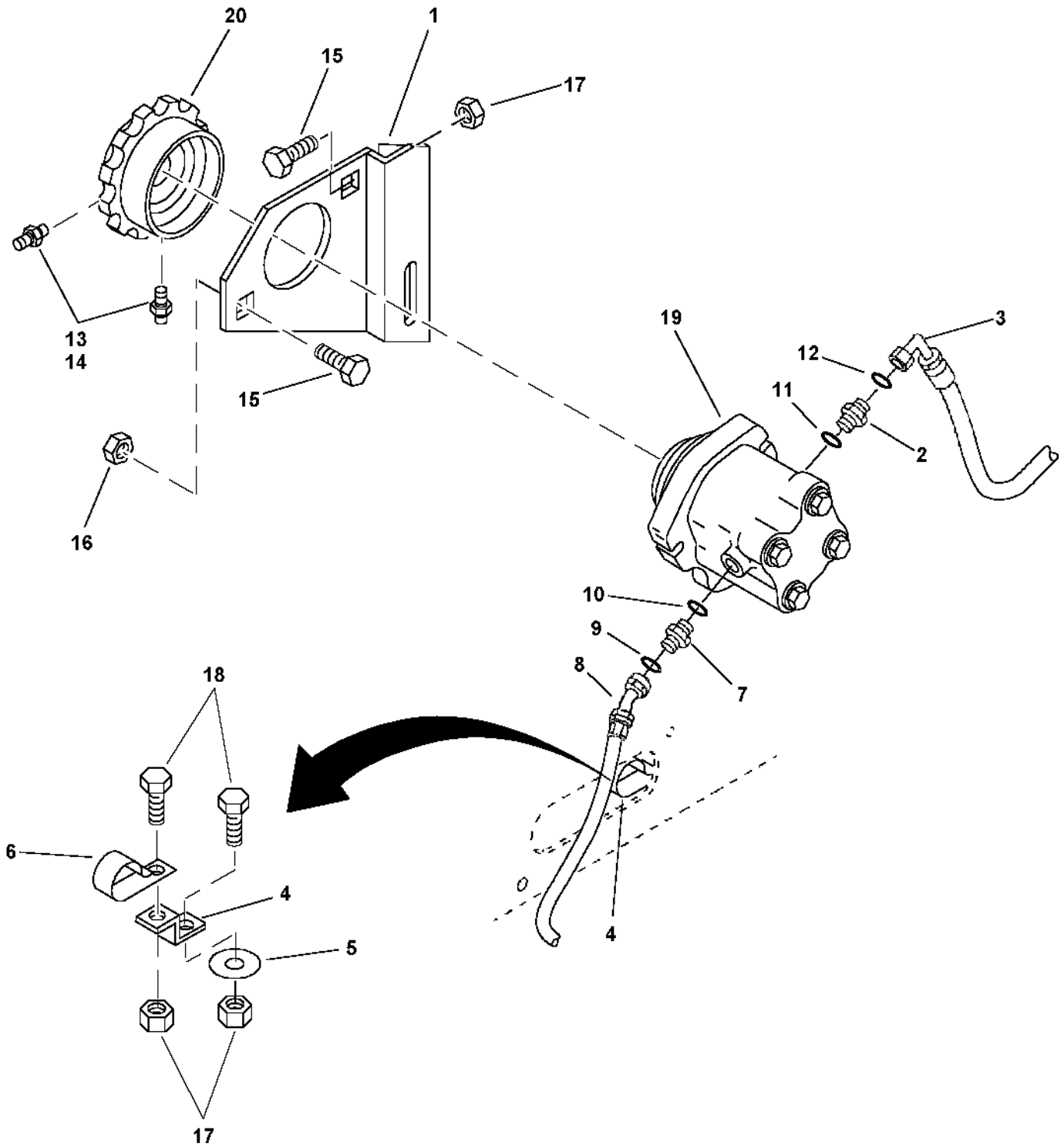
FEEDER HOUSE COOLER LUBE OIL PUMP, WITH OUT DUST SUPPRESSION (AUSTRALIA ONLY) - CONTINUED

KEY	PART NO.	PART NAME	QTY	SERIAL NO.	REMARKS
1	AH156475	HYDRAULIC HOSE	2		9/16" X 9.50MM ID X 42672MM (23/64" ID X 1680") LONG X 3/4"(FROM PUMP TO COOLER)
2	T77613	O-RING	4		
3	38H1171	ADAPTER	1		
4	R26375	O-RING	1		
5	14M7296	FLANGE NUT	3	M10	
6	03M7192	BOLT	3	M10 X 30	
7	AH148416	OIL PUMP	1		
8	H157594	BRACKET	1		
9	R26906	O-RING	1		
10	38H1174	ADAPTER	1		
11	T77857	O-RING	1		
12	AH156703	HYDRAULIC HOSE	1		3/4" X 12.70MM ID X 13335MM (1/2" ID X 525") LONG X 3/4" (FROM PUMP TO COOLER)
13	22M7027	SET SCREW	2	M6 X 16	
14	24H1226	WASHER	3	1/2" X 1-1/4" X 0.083"	
15	AH151301	CHAIN SPROCKET	1	12 TEETH	
16	AH89486	CLIP	1		
17	38H1321	ELBOW FITTING	1		
18	T78716	NUT	1		
19	N85298	SHAFT KEY	1		
..	14M7272	NUT	2	M6	
..	BH81389	COMPLETE GOODS/SHIP. BUNDLE	1	M6	GEARBOX COOLER

2H1

FEEDER HOUSE OIL COOLER, LUBE OIL PUMP WITH DUST SUPPRESSION, R.H. SIDE (AUSTRALIA ONLY)

HP7571 -UN-31AUG98



HP7571

2H2

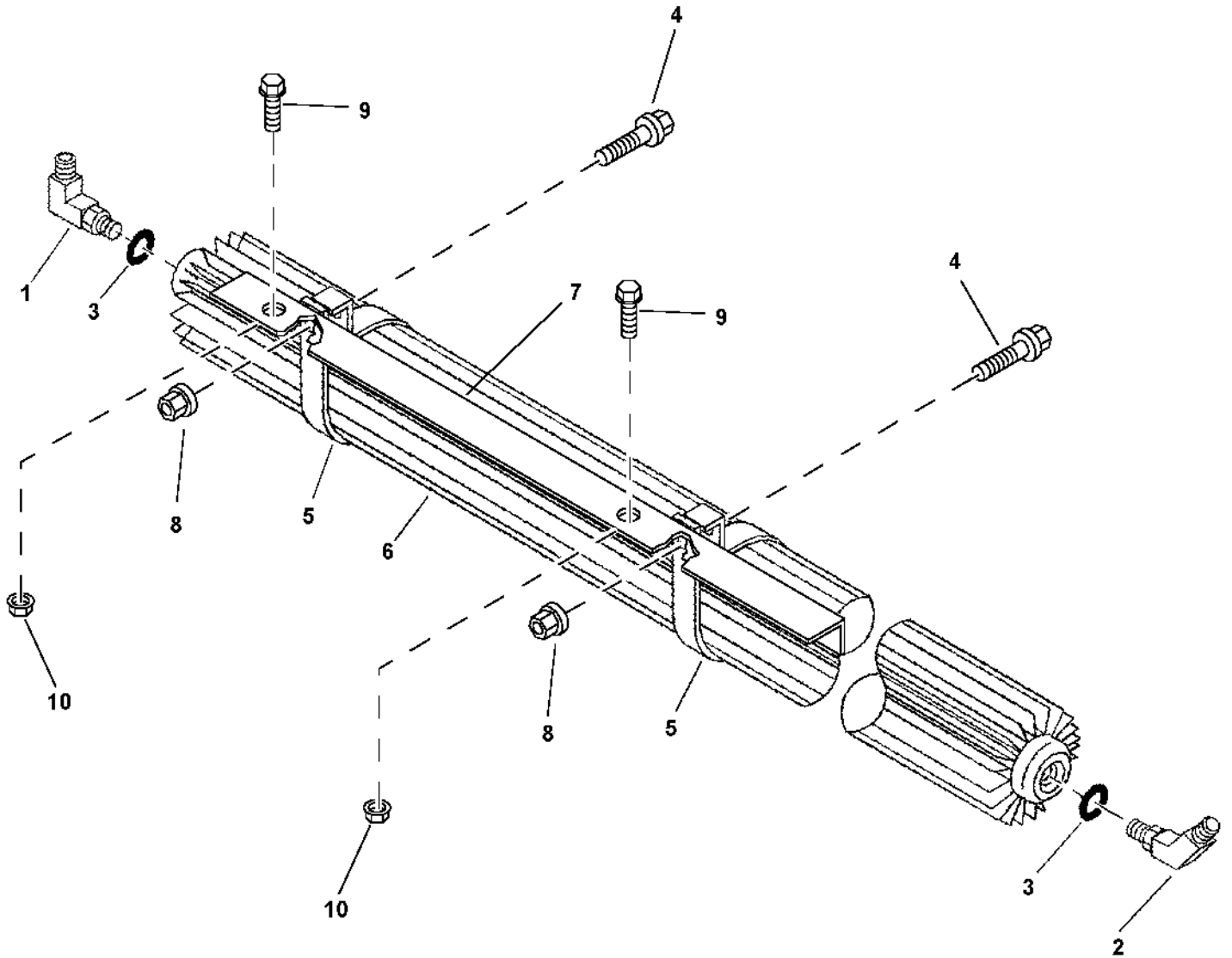
HYDRAULICS

FEEDER HOUSE OIL COOLER LUBE OIL PUMP WITH DUST SUPPRESSION (AUSTRALIA ONLY) - CONTINUED

KEY	PART NO.	PART NAME	QTY	SERIAL NO.	REMARKS
1	H163377	BRACKET	1		WITH DUST SUPPORT
2	38H1174	ADAPTER	1		
3	AH156703	HYDRAULIC HOSE	1		3/4" X 1270MM X 63500MM (1/2" ID X 2500") LONG X 3/4" (FROM PUMP TO GEARCASE)
4	H163378	BRACKET	1		
5	24H1313	WASHER	1		
6	AH89486	CLIP	1		
7	38H1171	ADAPTER	1		
8	AH156475	HYDRAULIC HOSE	1		
9	R26375	O-RING	1		
10	T77613	O-RING	1		
11	R26906	O-RING	1		
12	T77857	O-RING	1		
13	22M7027	SET SCREW	2		M6 X 16
14	14M7272	NUT	2		M6
15	03M7192	BOLT	4		M10 X 30
16	14M7272	NUT	2		M6
17	14M7296	FLANGE NUT	4		M10
18	19M7784	SCREW	2		M10 X 20
19	AH148416	OIL PUMP	1		
20	AH151301	CHAIN SPROCKET	1		
..	BH81389	COMPLETE GOODS/SHIP. BUNDLE	1		GEARBOX COOLER

2H3

FEEDER HOUSE GEARCASE OIL COOLER (AUSTRALIA ONLY)
HP7132 -UN-31AUG98



HP7132

2H4

HYDRAULICS

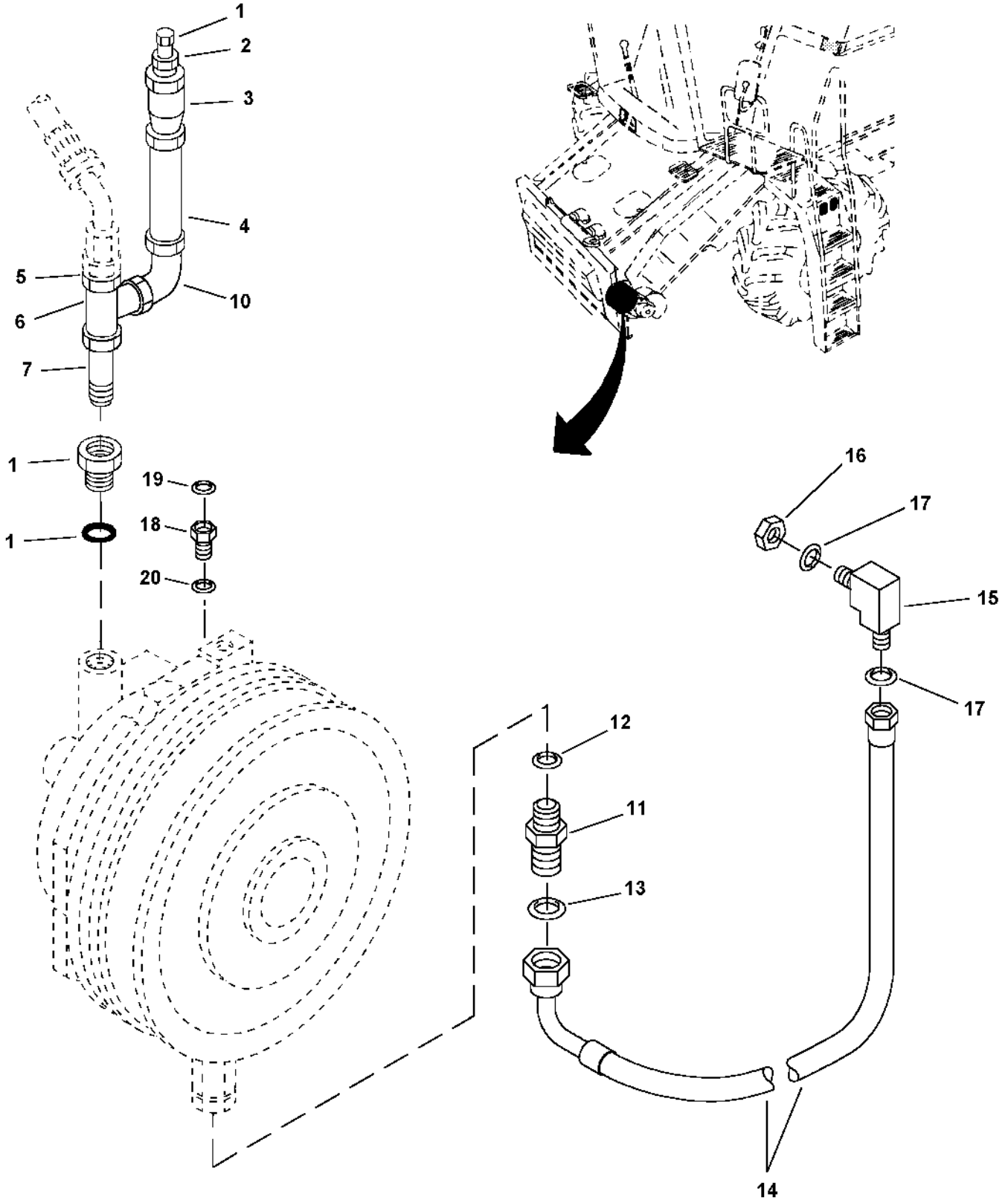
FEEDER HOUSE GEARCASE OIL COOLER (AUSTRALIA ONLY) - CONTINUED

KEY	PART NO.	PART NAME	QTY	SERIAL NO.	REMARKS
1	38H1005	ELBOW FITTING	1		
2	38H1046	ELBOW FITTING	1		
3	R26375	O-RING	2		
4	19M7784	SCREW	2	M10 X 20	
5	R111156	CLIP	2		
6	AH150687	OIL COOLER	1		
7	H163182	ANGLE	1		
8	14M7298	FLANGE NUT	2	M8	
9	19M7784	SCREW	2	M10 X 20	
10	14M7298	FLANGE NUT	2	M8	
..	BH81389	COMPLETE GOODS/SHIP. BUNDLE	1	GEARBOX COOLER	

2H5

FEEDER HOUSE GEARCASE OIL COOLER FITTINGS AND HOSES (AUSTRALIA ONLY)

HP7572 -UN-31AUG98



HP7572

2H6

HYDRAULICS

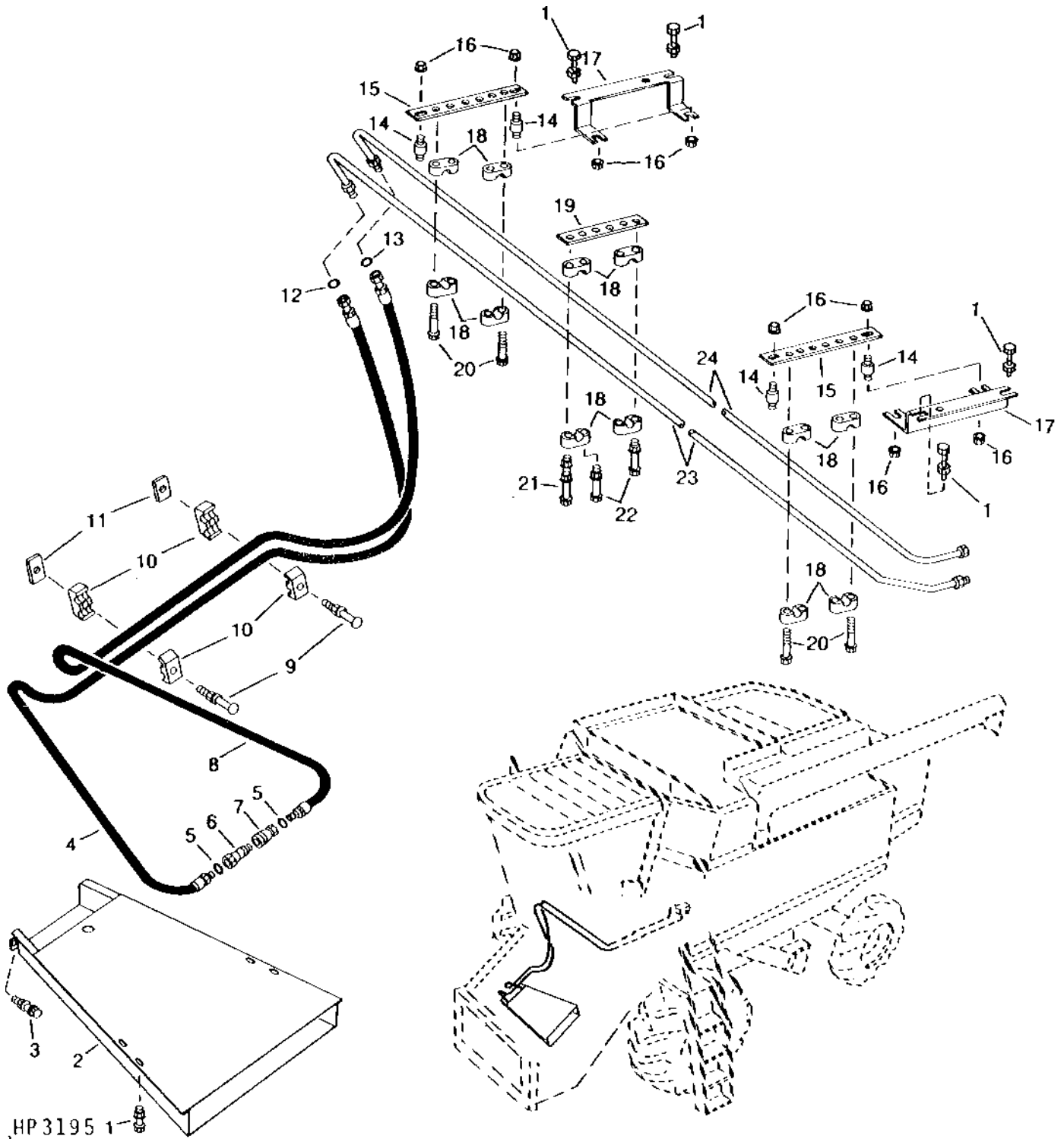
FEEDER HOUSE GEARCASE OIL COOLER FITTINGS AND HOSES (AUSTRALIA ONLY) - CONTINUED

KEY	PART NO.	PART NAME	QTY	SERIAL NO.	REMARKS
1	AH106296	BREATHER	2		
2	15H514	PIPE BUSHING	1		
3	15H579	COUPLING	1		
4	29H601	THREADED NIPPLE	2		
5	T78646	ADAPTER	1		
6	15H580	TEE FITTING	1		
7	29H593	THREADED NIPPLE	1		
8	R26906	O-RING	1		
9	T27986	FITTING	1		
10	15H622	ELBOW FITTING	1		
11	38H1161	ADAPTER	1		
12	R26375	O-RING	1		
13	T77857	O-RING	1		
14	AH156704	HYDRAULIC HOSE	1		(FROM GEARCASE TO COOLER)
15	38H1321	ELBOW FITTING	1		
16	T78716	NUT	1		
17	T77857	O-RING	1		
18	38H1212	ADAPTER	1		
19	R26448	O-RING	1		W/O DUST SUPPRESSION
	R26375	O-RING	1		WITH DUST SUPPRESSION
20	T77613	O-RING	1		
..	BH81311	COMPLETE GOODS/SHIP. BUNDLE	1		GEARBOX COOLER

2H7

HYDRAULICS

REEL DRIVE HYDRAULIC LINES AND HOSES, FRONT
HP3195 -UN-01JAN94



2H8

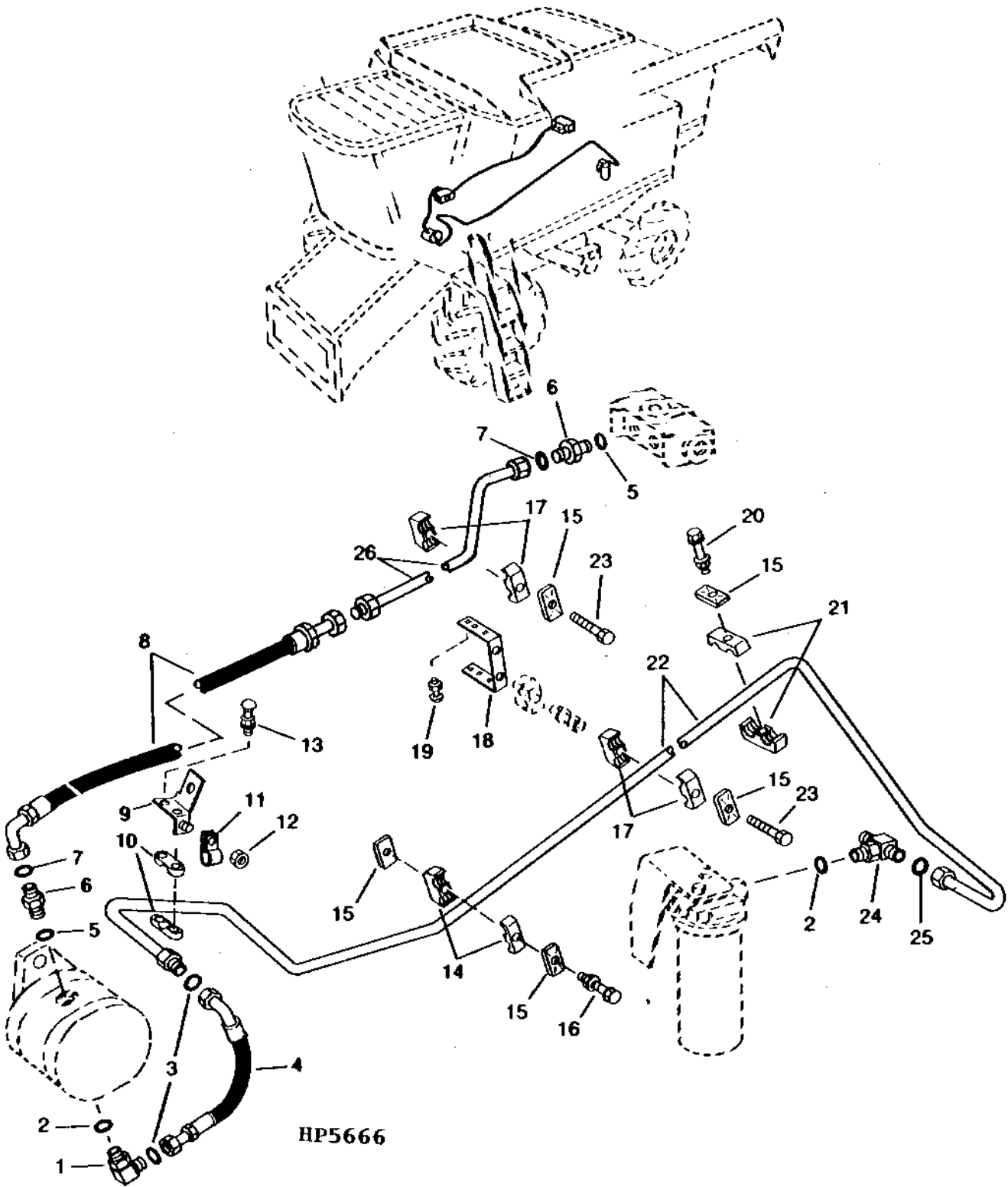
HYDRAULICS

REEL DRIVE HYDRAULIC LINES AND HOSES, FRONT - CONTINUED

KEY	PART NO.	PART NAME	QTY	SERIAL NO.	REMARKS
1	19M7865	SCREW	6	M8 X 16	
	14M7298	FLANGE NUT	6	M8	
2	AH131303	PAN	1		
3	19M7784	SCREW	2	M10 X 20	
	14M7296	FLANGE NUT	2	M10	
4	AH130564	HYDRAULIC HOSE	1	3/4" X 2 927 MM (115-1/4") X 1" (RETURN)	
5	R26375	O-RING	2	16.358 X 2.210 MM (0.644" X 0.087")	
6	AR94522	INTERNAL HALF COUPLER	1		
7	AH75167	HYD. QUICK-CONNECT COUPLER	1		(INCLUDES INTERNAL O-RING)
	P45750	O-RING	1	20.218 X 3.531 MM (0.796" X 0.139")	
	L24517	BACK-UP RING	1		
	T12960	SNAP RING	1		
8	AH130563	HYDRAULIC HOSE	1	3/4" X 2 852 MM (112-1/4") X 13/16"	(PRESSURE)
9	03M7245	BOLT	2	M8 X 55	
	14M7298	FLANGE NUT	2	M8	
10	H122772	CLAMP	4		
11	H112567	PLATE	2		
12	T77932	O-RING	1	15.596 X 1.778 MM (0.614" X 0.070")	
13	T77857	O-RING	1		
14	AH126657	ISOLATOR	4		
15	H134429	STRAP	2		
16	N10217	LOCK NUT	8	6.350 MM (1/4")	
17	H135618	BRACKET	2		
18	H115533	CLAMP	12		
19	H134558	STRAP	1		
20	37M7102	SCREW	8	M8 X 40	
21	19M7979	SCREW	1	M8 X 55	
	14M7298	FLANGE NUT	2	M8	
22	19M8318	SCREW	3	M8 X 45	
	14M7298	FLANGE NUT	3	M8	
23	AH135684	HYDRAULIC LINE	1		(RETURN)
24	AH135686	HYDRAULIC LINE	1		(PRESSURE)

2H9

REEL PUMP HYDRAULIC LINES AND HOSES
HP5666 -UN-01JAN94



2H10

HYDRAULICS

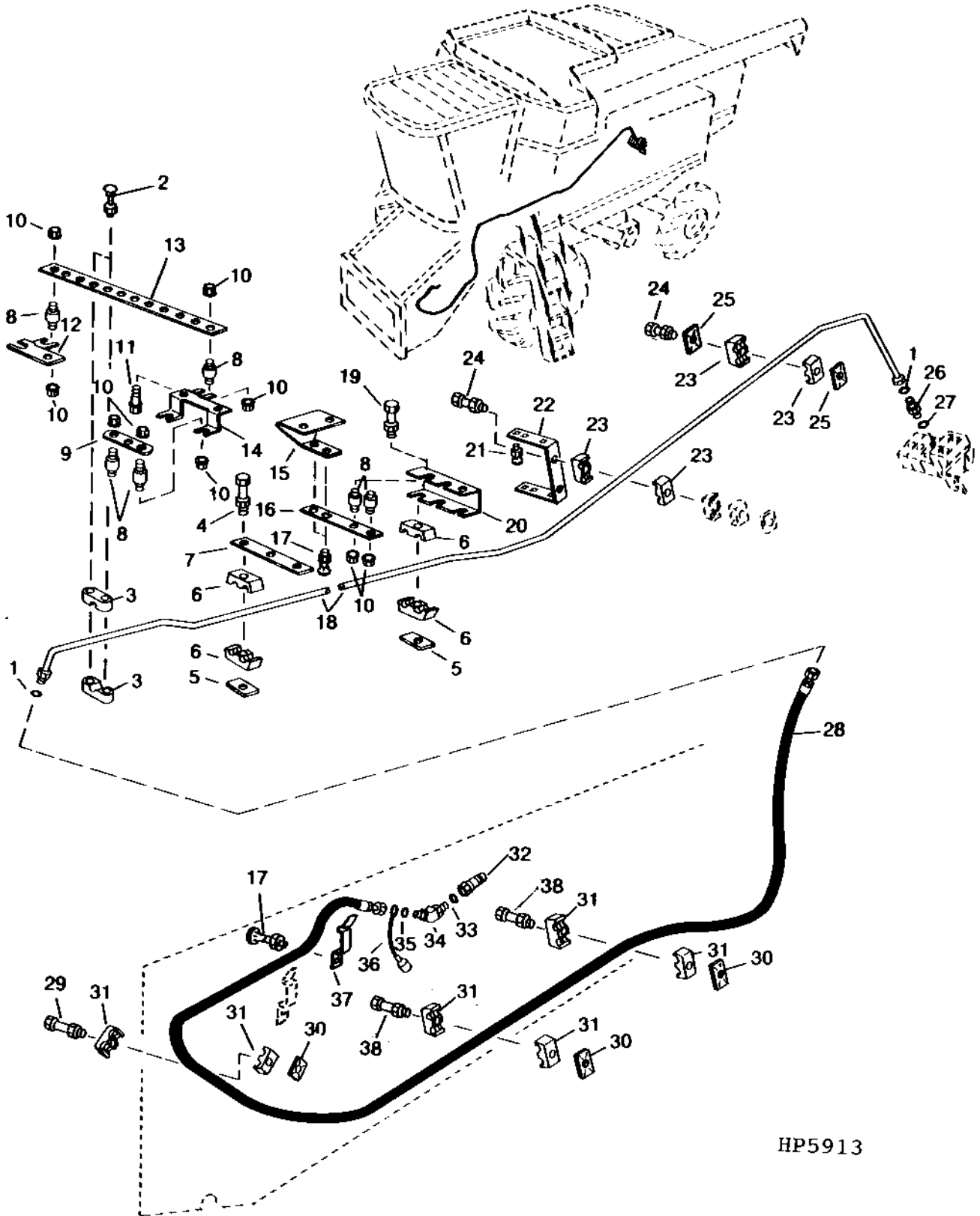
REEL PUMP HYDRAULIC LINES AND HOSES - CONTINUED

KEY	PART NO.	PART NAME	QTY	SERIAL NO.	REMARKS
1	38H1052	ELBOW FITTING	1		
2	R29936	O-RING	2	29.743 X 2.946 MM (1.171" X 0.116")	
3	T77858	O-RING	2	18.771 X 1.778 MM (0.739" X 0.070")	
4	AH128584	HYDRAULIC HOSE	1	1-3/16" X 390 MM (15-1/4") X 1-3/16" (REEL PUMP SUCTION)	
5	R26906	O-RING	2	19.177 X 2.464 MM (0.755" X 0.097")	
6	38H1162	ADAPTER	2		
7	T77857	O-RING	2	12.421 X 1.778 MM (0.489" X 0.070")	
8	AH140832	HYDRAULIC HOSE	1	13/16" X 1 050 MM (41-1/4") X 13/16" (REEL PUMP PRESSURE)	
9	AH126389	BRACKET	1		
10	H114432	CLAMP	2		
11	T72393	CLAMP	1		
12	14M7298	FLANGE NUT	1	M8	
13	03M7280	BOLT	2	M6 X 45 (RD. HEAD)	
	14M7303	FLANGE NUT	2	M6	
14	H114897	CLAMP	2		
15	H112567	PLATE	4		
16	19M7801	SCREW	1	M8 X 60	
	14M7298	FLANGE NUT	1	M8	
17	H114897	CLAMP	2		
18	H131115	BRACKET	1		
19	03M7184	BOLT	4	M8 X 20 (RD. HEAD)	
	14M7396	LOCK NUT	4	M8	
20	19M8319	SCREW	1	M8 X 50	
	14M7298	FLANGE NUT	1	M8	
21	H120362	CLAMP	2		
22	AH128859	OIL LINE	1	(REEL PUMP SUCTION)	
23	19M8317	SCREW	1	M8 X 40	
24	38H1437	TEE FITTING	1		
25	T76938	O-RING	1	23.520 X 1.778 MM (0.926" X 0.070")	
26	AH140932	OIL LINE	1	PRESSURE	

2H11

HYDRAULICS

REEL LIFT LINES AND HOSES
HP5913 -UN-14FEB95



HP5913

2H12

HYDRAULICS

REEL LIFT LINES AND HOSES - CONTINUED

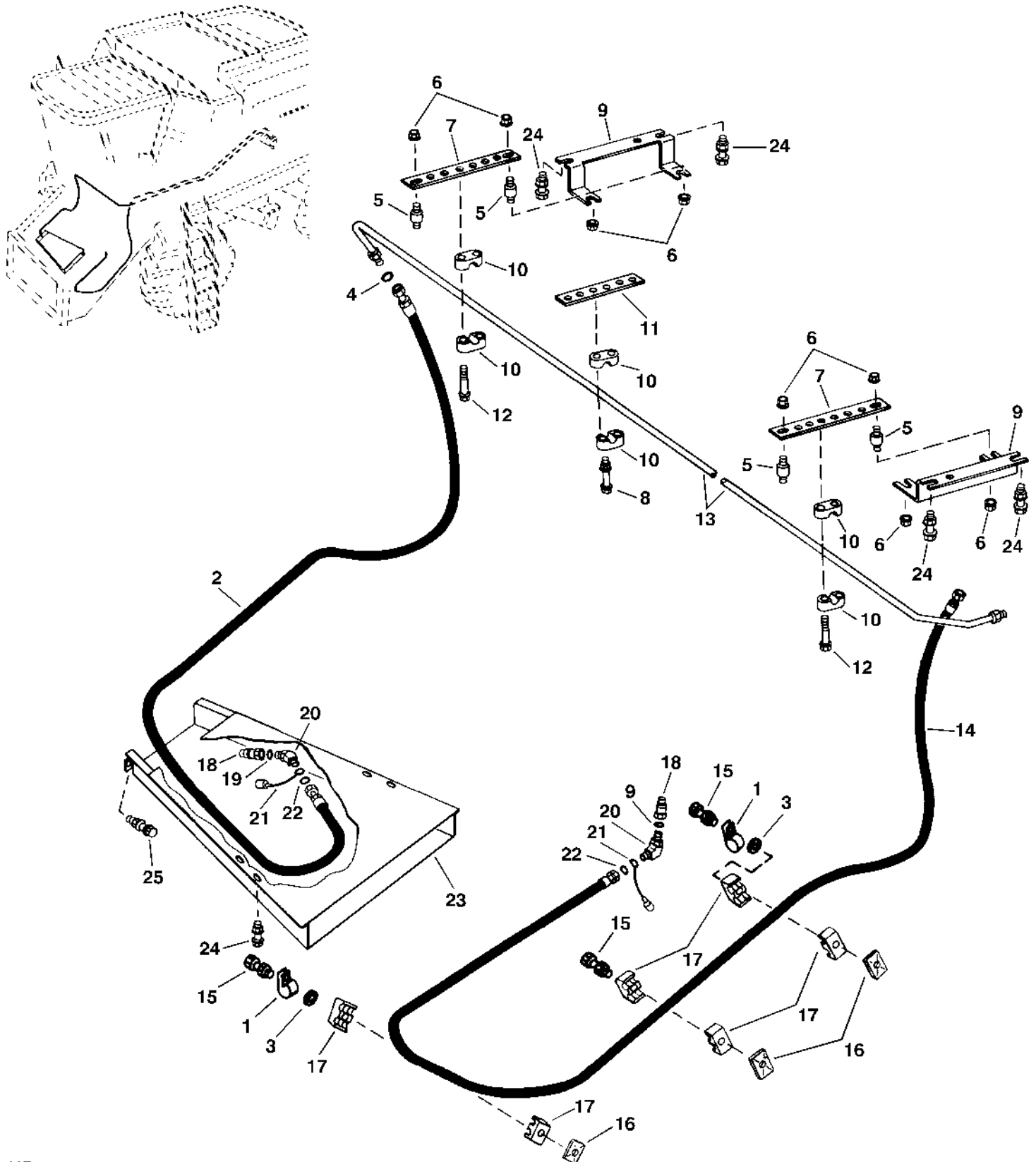
KEY	PART NO.	PART NAME	QTY	SERIAL NO.	REMARKS
1	T77613	O-RING	2		9.246 X 1.778 MM (0.364" X 0.070")
2	03M7188	BOLT	2		M8 X 40
	14M7298	FLANGE NUT	2		M8
3	H116717	CLAMP	2		
4	19M7803	SCREW	1		M8 X 70
	14M7298	FLANGE NUT	1		M8
5	H121163	COVER	3		W/ REEL FORE/AFT OPTION
	H121163	COVER	1		W/O REEL FORE/AFT OPTION
6	H128515	CLAMP	8		W/ REEL FORE/AFT OPTION
	H127589	CLAMP	4		W/O REEL FORE/AFT OPTION
7	H131163	STRAP	1		
8	AH126657	ISOLATOR	6		
9	H134425	STRAP	1		
10	N10217	LOCK NUT	12		6.350 MM (1/4")
11	37M7092	SCREW	4		M8 X 16
12	H134427	BRACKET	1		
13	H140298	STRAP	1		ROUND HOLES
14	H134424	BRACKET	1		
15	H138411	BRACKET	1		
16	H134434	SUPPORT	1		
17	03M7184	BOLT	3		M8 X 20
	14M7298	FLANGE NUT	3		M8
18	AH134532	OIL LINE	1		
	AH135688	HYDRAULIC LINE	1		(GRAIN) (CONTOUR MASTER)
19	03M7216	BOLT	1		M8 X 50
	14M7298	FLANGE NUT	3		M8
20	H134428	BRACKET	1		
21	19M7866	SCREW	4		M8 X 20
	14M7396	LOCK NUT	4		M8
22	H131115	BRACKET	1		
23	H109046	CLAMP	4		
24	19M7979	SCREW	2		M8 X 55, W/O REEL FORE/AFT OPTION
	14M7298	FLANGE NUT	2		M8
25	H121168	PLATE	3		
26	38H1309	ADAPTER	1		
27	R26448	O-RING	1		11.887 X 1.981 MM (0.468" X 5/64")
28	AH130561	HYDRAULIC HOSE	1		9/16" X 2 7/94 MM (110") X 11/16"
29	19M8318	SCREW	1		M8 X 45
	14M7298	FLANGE NUT	1		M8
	12M7032	LOCK WASHER	1		8.400 MM
30	H121168	PLATE	3		
31	H120847	CLAMP	6		
32	AR94522	INTERNAL HALF COUPLER	1		
33	R26375	O-RING	1		16.358 X 2.210 MM (0.644" X 0.087")
34	38H1046	ELBOW FITTING	1		
35	T77857	O-RING	1		12.421 X 1.778 MM (0.489" X 0.070")
36	A15898	CAP	1		
37	H136336	HOSE CLAMP	1		
38	19M7979	SCREW	2		M8 X 55
	19M7298	CAP SCREW	2		M8 X 35
	12M7032	LOCK WASHER	2		8.400 MM (0.331")
..	BH81385	COMPLETE GOODS/SHIP. BUNDLE	1		CONVERSION BUNDLE

2H13

HYDRAULICS

REEL FORE-AND-AFT HYDRAULIC LINES AND HOSES, FRONT (OPTIONAL)

HP6941 -UN-29AUG97



HP6941

2H14

HYDRAULICS

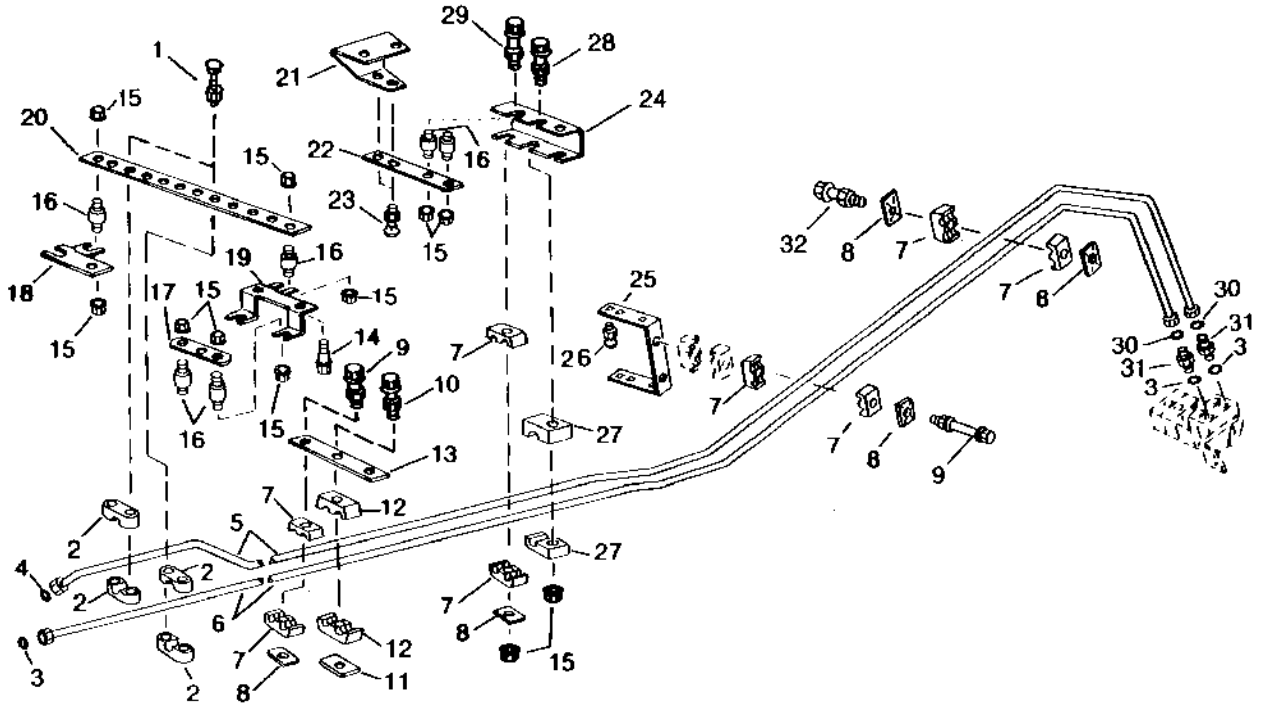
**REEL FORE-AND-AFT HYDRAULIC LINES AND HOSES, FRONT - CONTINUED
(OPTIONAL)**

KEY	PART NO.	PART NAME	QTY	SERIAL NO.	REMARKS
1	AH96317	CLIP	3		
2	AH130561	HYDRAULIC HOSE	1		9/16" X 2 794 MM (110") X 11/16" (EXTEND)
3	12M7032	LOCK WASHER	3		8.400 MM (0.331")
4	T77814	O-RING	1		7.645 X 1.778 MM (0.301" X 0.070")
5	AH126657	ISOLATOR	4		
6	N10217	LOCK NUT	8		6.350 MM (1/4")
7	H134429	STRAP	2		
8	19M8317	SCREW	2		M8 X 40
	14M7298	FLANGE NUT	2		M8
9	H135618	BRACKET	2		
10	H116717	CLAMP	6		
11	H134558	STRAP	1		
12	37M7096	SCREW	4		M8 X 35
13	AH135682	HYDRAULIC LINE	1		(EXTEND)
14	AH130560	HYDRAULIC HOSE	1		9/16" X 3 286 MM (129-1/4") X 11/16" (RETRACT)
	AH132188	HYDRAULIC HOSE	1		9/16" X 2 640 MM (104") X 11/16", (ITALY)
15	19M8319	SCREW	3		M8 X 50
	14M7298	FLANGE NUT	3		M8
16	H121168	PLATE	3		
17	H120847	CLAMP	6		
18	AH116632	HYD. QUICK-CONNECT COUPLER	2		
19	R26448	O-RING	2		11.887 X 1.981 MM (0.468" X 5/64")
20	38H1045	ELBOW FITTING	2		
21	AH124832	CAP	2		
22	T77613	O-RING	2		9.246 X 1.778 MM (0.364" X 0.070")
23	AH131303	PAN	1		
24	19M7865	SCREW	6		M8 X 16
	14M7298	FLANGE NUT	6		M8
25	19M7784	SCREW	2		M10 X 20
	14M7296	FLANGE NUT	2		M10
..	BH81385	COMPLETE GOODS/SHIP. BUNDLE	1		CONVERSION BUNDLE

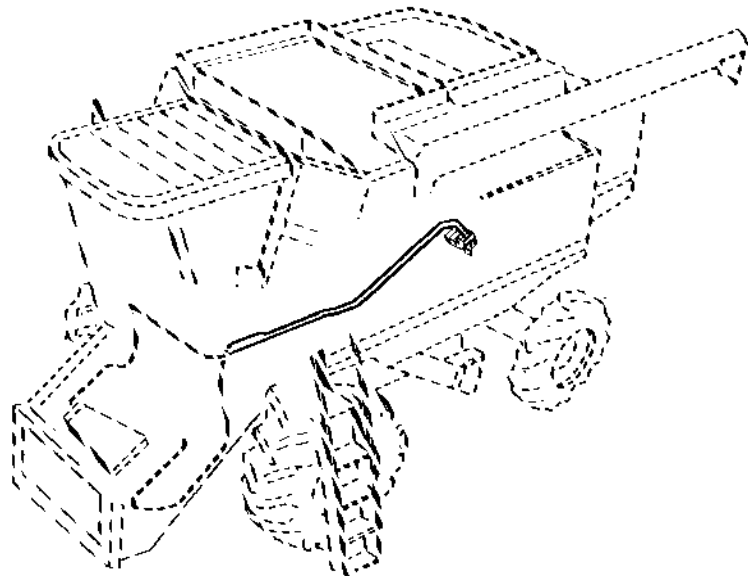
2H15

REEL FORE-AND-AFT HYDRAULIC LINES, L.H. SIDE (OPTIONAL)

HP5841 -UN-14OCT94



HP5841



2H16

HYDRAULICS

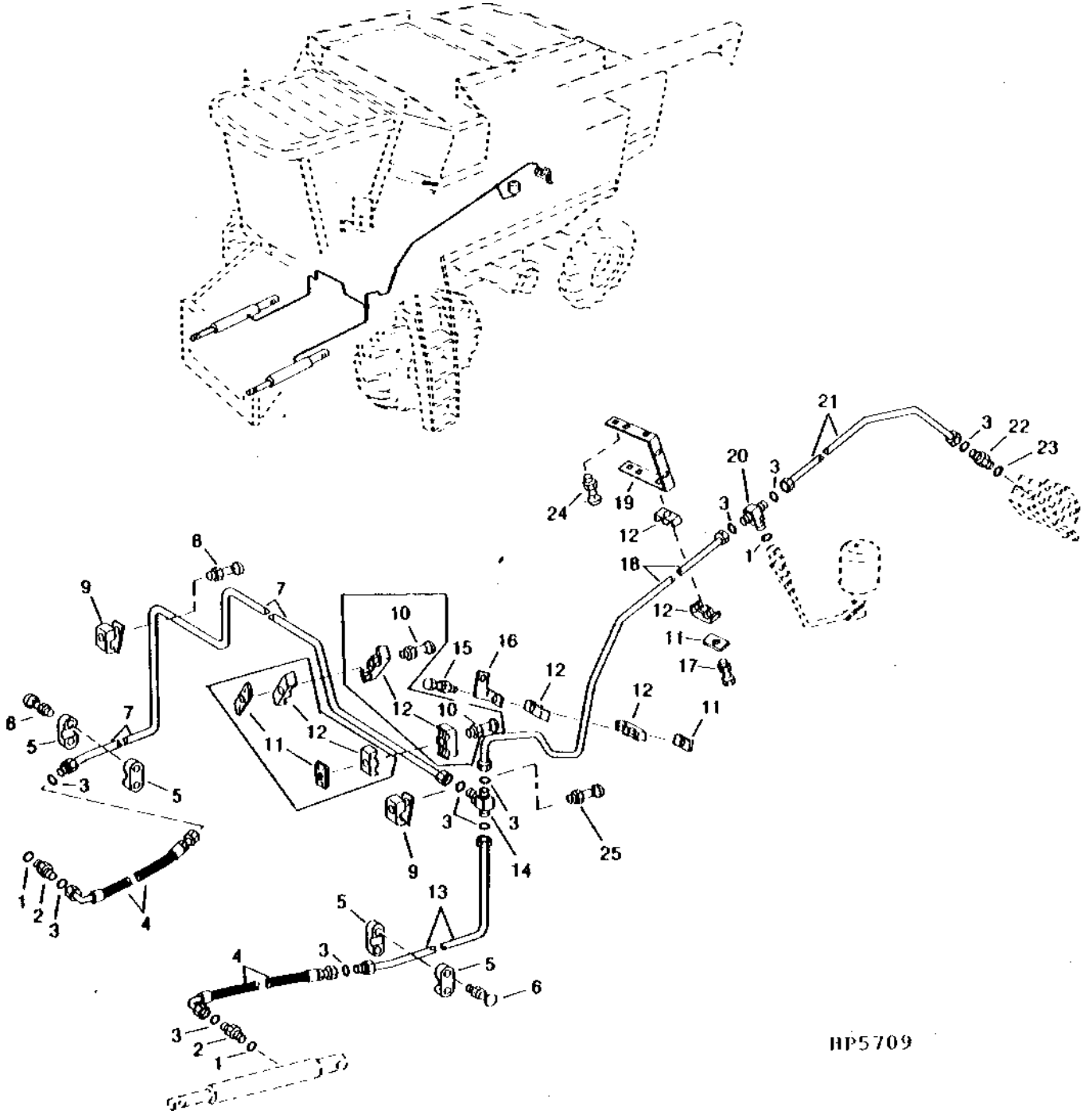
**REEL FORE-AND-AFT HYDRAULIC LINES, L.H. SIDE - CONTINUED
(OPTIONAL)**

KEY	PART NO.	PART NAME	QTY	SERIAL NO.	REMARKS
1	03M7188	BOLT	4	M8 X 40	
	14M7298	FLANGE NUT	4	M8	
2	H116717	CLAMP	4		
3	R26375	O-RING	2	16.358 X 2.210 MM (0.644" X 0.087")	
4	T77814	O-RING	1	7.645 X 1.778 MM (0.301" X 0.070")	
5	AH134533	OIL LINE	1	RETRACT	
	AH135689	HYDRAULIC LINE	1	(GRAIN) (CONTOUR MASTER) (RETRACT)	
6	AH131311	HYDRAULIC LINE	1	(EXTEND)	
7	H128515	CLAMP	8		
8	H121163	COVER	5		
9	19M7803	SCREW	2	M8 X 70	
	14M7298	FLANGE NUT	2	M8	
10	19M8318	SCREW	1	M8 X 45	
	14M7298	FLANGE NUT	1	M8	
11	H121168	PLATE	1		
12	H109046	CLAMP	2		
13	H131163	STRAP	1		
14	03M7184	BOLT	2	M8 X 20	
	14M7298	FLANGE NUT	2	M8	
15	N10217	LOCK NUT	12	6.350 MM (1/4")	
16	AH126657	ISOLATOR	6		
17	H134425	STRAP	1		
18	H134427	BRACKET	1		
19	H134424	BRACKET	1		
20	H140298	STRAP	1	ROUND HOLES	
21	H138411	BRACKET	1		
22	H134434	SUPPORT	1		
23	03M7184	BOLT	2	M8 X 20	
	14M7298	FLANGE NUT	2	M8	
24	H134428	BRACKET	1		
25	H131115	BRACKET	1		
26	19M7866	SCREW	4	M8 X 20	
	14M7396	LOCK NUT	4	M8	
27	H127589	CLAMP	2		
28	03M7216	BOLT	1		
	14M7298	FLANGE NUT	1	M8	
29	03M7188	BOLT	1	M8 X 40	
30	T77613	O-RING	3	9.246 X 1.778 MM (0.364" X 0.070")	
31	38H1171	ADAPTER	2		
32	19M7803	SCREW	1	M8 X 70	
..	BH81385	COMPLETE GOODS/SHIP. BUNDLE	1	CONVERSION BUNDLE	

2H17

HEADER LIFT HYDRAULIC LINES AND HOSES

HP5709 -UN-01JAN94



HP5709

2H18

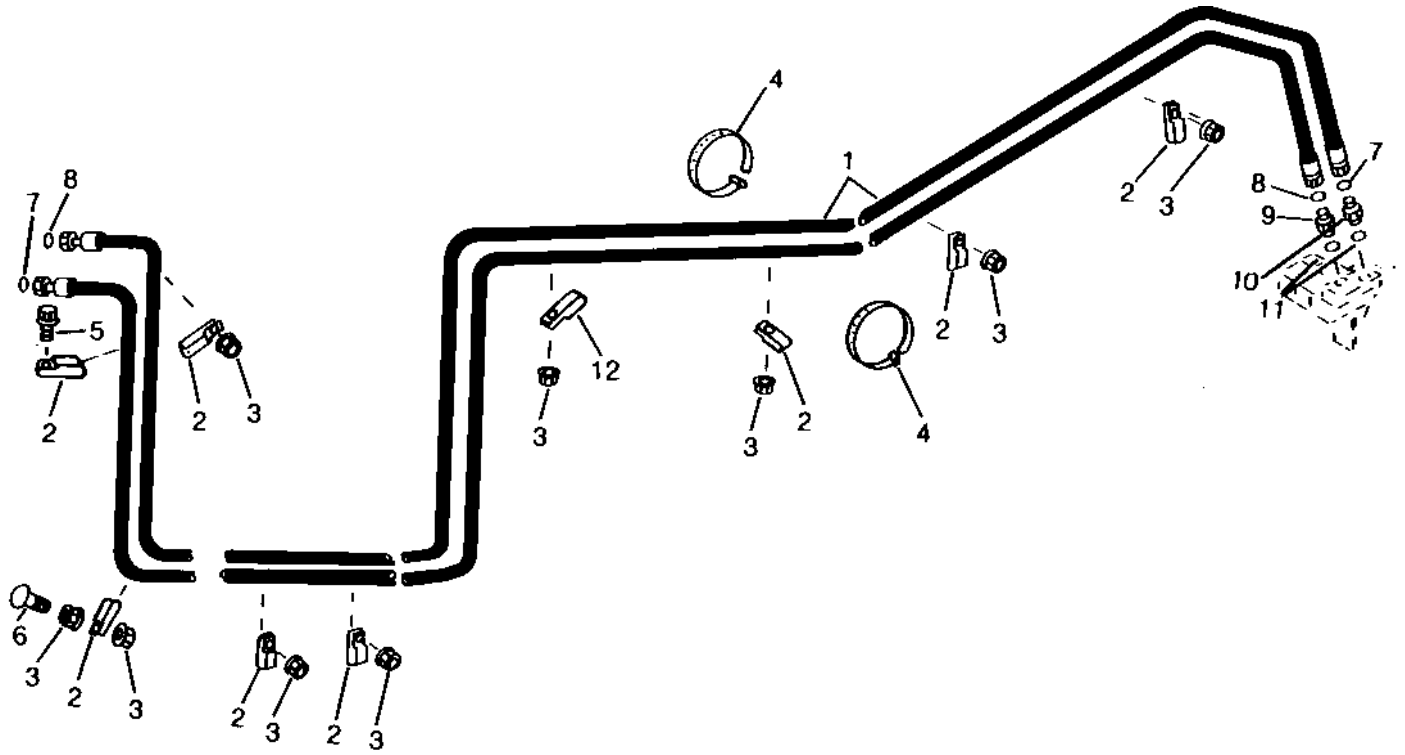
HYDRAULICS

HEADER LIFT HYDRAULIC LINES AND HOSES - CONTINUED

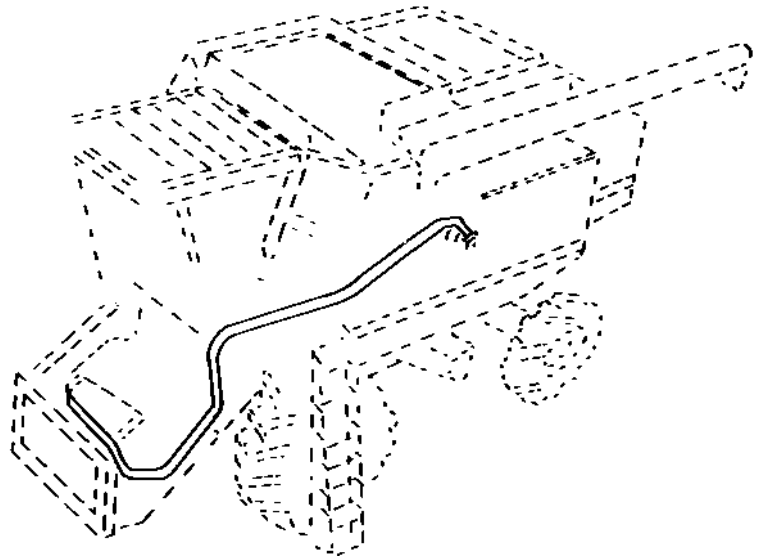
KEY	PART NO.	PART NAME	QTY	SERIAL NO.	REMARKS
1	R26375	O-RING	3		16.358 X 2.210 MM (0.644" X 0.087")
2	38H1161	ADAPTER	2		
3	T77857	O-RING	10		12.421 X 1.778 MM (0.489" X 0.070")
4	AH121605	HYDRAULIC HOSE	2		13/16" X 515 MM (20-1/4") X 13/16"
5	H117937	CLAMP	4		
6	03M7189	BOLT	4		M8 X 45 (RD. HEAD)
	14M7298	FLANGE NUT	4		M8
7	AH131378	OIL LINE	1		
8	03M7280	BOLT	1		M6 X 45 (RD. HEAD)
	14M7303	FLANGE NUT	1		M6
9	H116706	CLAMP	1		
10	03M7262	BOLT	2		M6 X 50 (RD. HEAD)
	14M7303	FLANGE NUT	2		M6
11	H121168	PLATE	4		
12	H108291	CLAMP	8		
13	AH130113	HYDRAULIC LINE	1		
14	38H5031	TEE FITTING	1		
15	19M8317	SCREW	1		M8 X 40
	14M7298	FLANGE NUT	1		M8
16	H135974	BRACKET	1		
17	19M8318	SCREW	1		M8 X 45
	14M7298	FLANGE NUT	1		M8
18	AH131576	HYDRAULIC LINE	1		
19	H131115	BRACKET	1		
20	38H1017	TEE FITTING	1		
21	AH128753	HYDRAULIC LINE	1		
22	38H1173	ADAPTER	1		
23	R26448	O-RING	1		11.887 X 1.981 MM (0.468" X 5/64")
24	03M7184	BOLT	4		M8 X 20 (RD. HEAD)
	14M7396	LOCK NUT	4		M8
25	19M8321	SCREW	2		M6 X 45
	14M7298	FLANGE NUT	2		M8

2H19

CONTOUR MASTER HYDRAULIC HOSES, L.H. SIDE (OPTIONAL) HP5976 -UN-27APR95



HP5976



2H20

HYDRAULICS

CONTOUR MASTER HYDRAULIC HOSES, L.H. SIDE (OPTIONAL) - CONTINUED

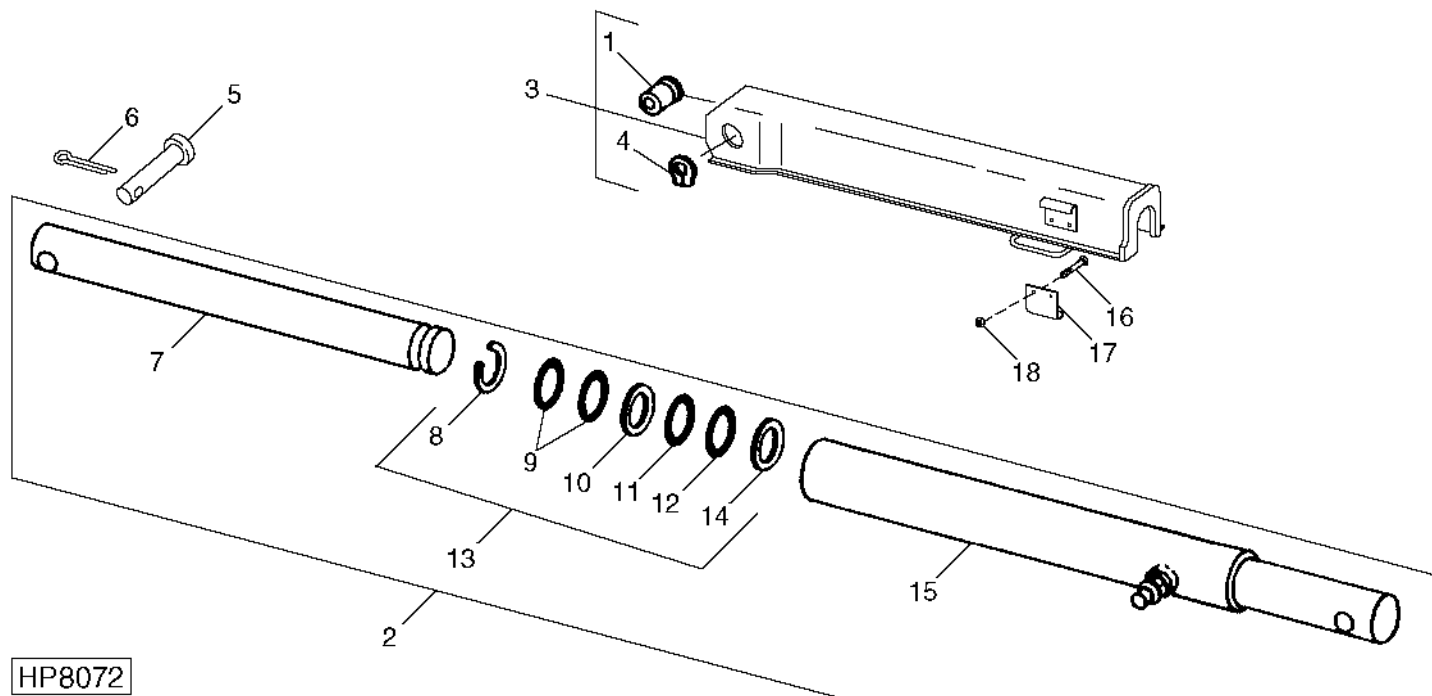
KEY	PART NO.	PART NAME	QTY	SERIAL NO.	REMARKS
1	AH143682	HYDRAULIC HOSE	2		
2	AH97280	CLIP	9		
3	14M7298	FLANGE NUT	9		
4	R44302	TIE BAND	2		M8
5	37M7084	SCREW	1		171 MM (6-3/4")
6	03M7085	BOLT	2		M8 X 25
7	T77613	O-RING	2		M10 X 30
8	T77814	O-RING	2		9.246 X 1.778 MM (0.364" X 0.070")
9	38H1445	ADAPTER	1		7.645 X 1.778 MM (0.301" X 0.070")
10	38H1171	ADAPTER	1		
11	R26375	O-RING	2		
12	AH77869	CLIP	1		16.358 X 2.210 MM (0.644" X 0.087")

2H21

HYDRAULICS

HEADER LIFT HYDRAULIC CYLINDER

HP8072 -UN-08JUL99



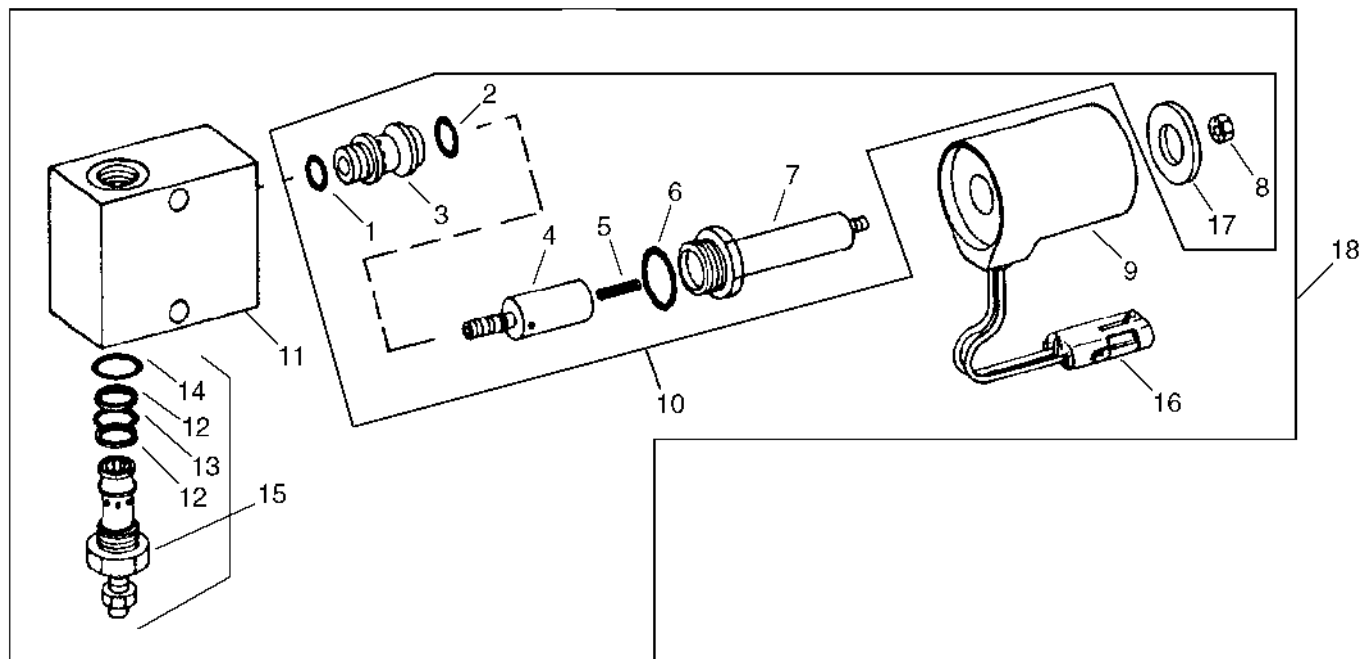
KEY	PART NO.	PART NAME	QTY	SERIAL NO.	REMARKS
1	H150054	BUSHING	1		
2	AH139611	HYDRAULIC CYLINDER	1	53.98 MM (2.125")	(SUB AH155264)
	AH155264	HYDRAULIC CYLINDER	1	53.98 MM (2.125")	
	AH139612	HYDRAULIC CYLINDER	1	60.33 MM (2.375")	(SUB AH155265)
	AH155265	HYDRAULIC CYLINDER	1	60.33 MM (2.375")	
3	AH157492	STOP	1		
4	40M1835	SNAP RING	1		
5	H116894	PIN	2		
6	H147486	COTTER PIN	4		
7	ROD	1		
8	SNAP RING	1		
9	WEAR RING	2		
10	SEAL	1		
11	SEAL	1		
12	SEAL	1		
13	AH139755	HYDRAULIC CYLINDER KIT	1	53.98 MM (2.125")	(USE WITH AH139611)
	AH161885	HYDRAULIC CYLINDER KIT	1	53.98 MM (2.125")	(USE WITH AH155264)
	AH139756	HYDRAULIC CYLINDER KIT	1	60.33 MM (2.375")	(USE WITH AH139612)
	AH162432	HYDRAULIC CYLINDER KIT	1	60.33 MM (2.375")	(USE WITH AH155265)
14	RING	1		
15	HYDRAULIC CYLINDER BARREL	1		
16	03M7183	BOLT	2	M8 X 16	
17	H150055	SUPPORT	1		
18	14M7298	FLANGE NUT	2	M8	

2H22

HYDRAULICS

DIAL-A-MATIC HEADER HEIGHT CONTROL VALVE

HP8033 -UN-21APR99



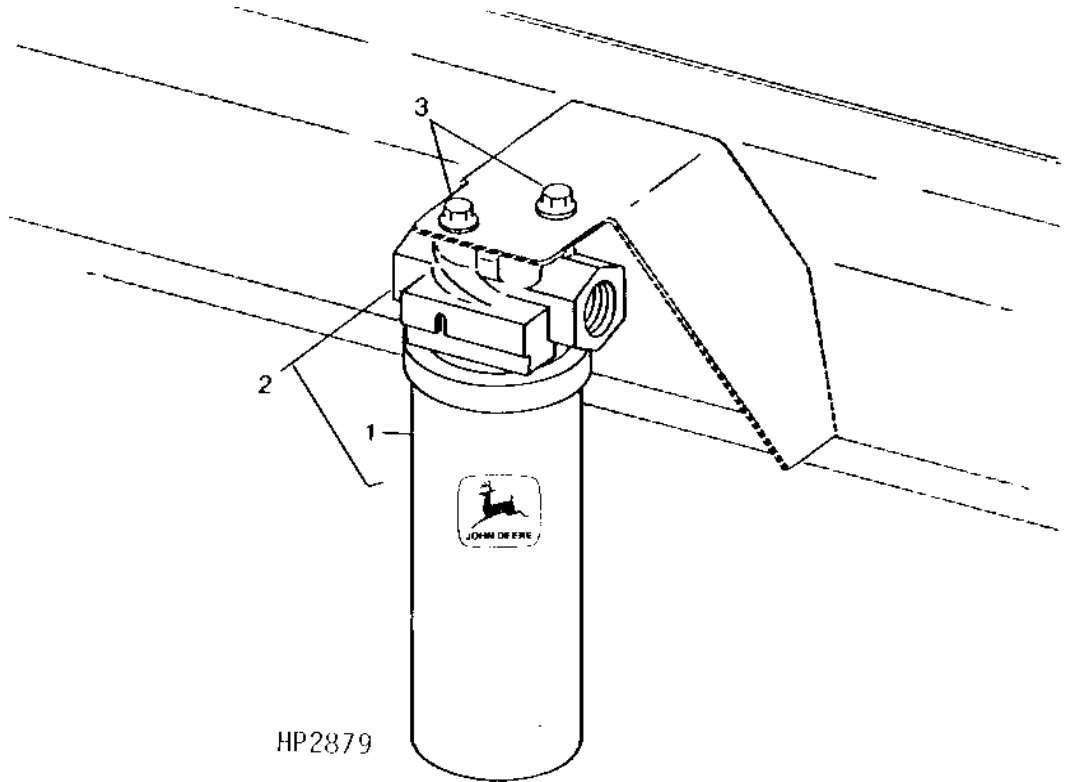
HP8033

KEY	PART NO.	PART NAME	QTY	SERIAL NO.	REMARKS
1	R28776	O-RING	1		12.421 X 1.778 MM (0.489" X 0.070")
2	T75984	O-RING	1		20.345 X 1.778 MM (0.801" X 0.070")
3	VALVE SPOOL	1		
4	PLUNGER	1		
5	SPRING	1		
6	R27928	O-RING	1		23.520 X 1.778 MM (0.926" X 0.070")
7	GUIDE	1		
8	14H866	NUT	1	5/8"	
9	AH131572	ELECTRICAL COIL	1		
10	AH131571	VALVE	1		
11	H135964	HOUSING	1		
12	BACK-UP RING	2		
13	O-RING	1		
14	R26906	O-RING	1		19.177 X 2.464 MM (0.755" X 0.097")
15	AH131570	VALVE	1		
16	R78053	PIN CONTACT CONNECTOR BODY	1		(PKG OF 3)
	R78059	ELECTRICAL PLUG	1		(PKG OF 40)
	R78061	PIN CONTACT	1		(PKG OF 40)
17	24H1368	WASHER	1		21/32" X 1-5/16" X 0.090"
18	AH125910	SOLENOID VALVE	1		
..	BH81084	COMPLETE GOODS/SHIP. BUNDLE	1		CONVERSION BUNDLE

2H23

HYDRAULICS

MAIN HYDRAULIC FILTER ASSEMBLY HP2879 -UN-01JAN94

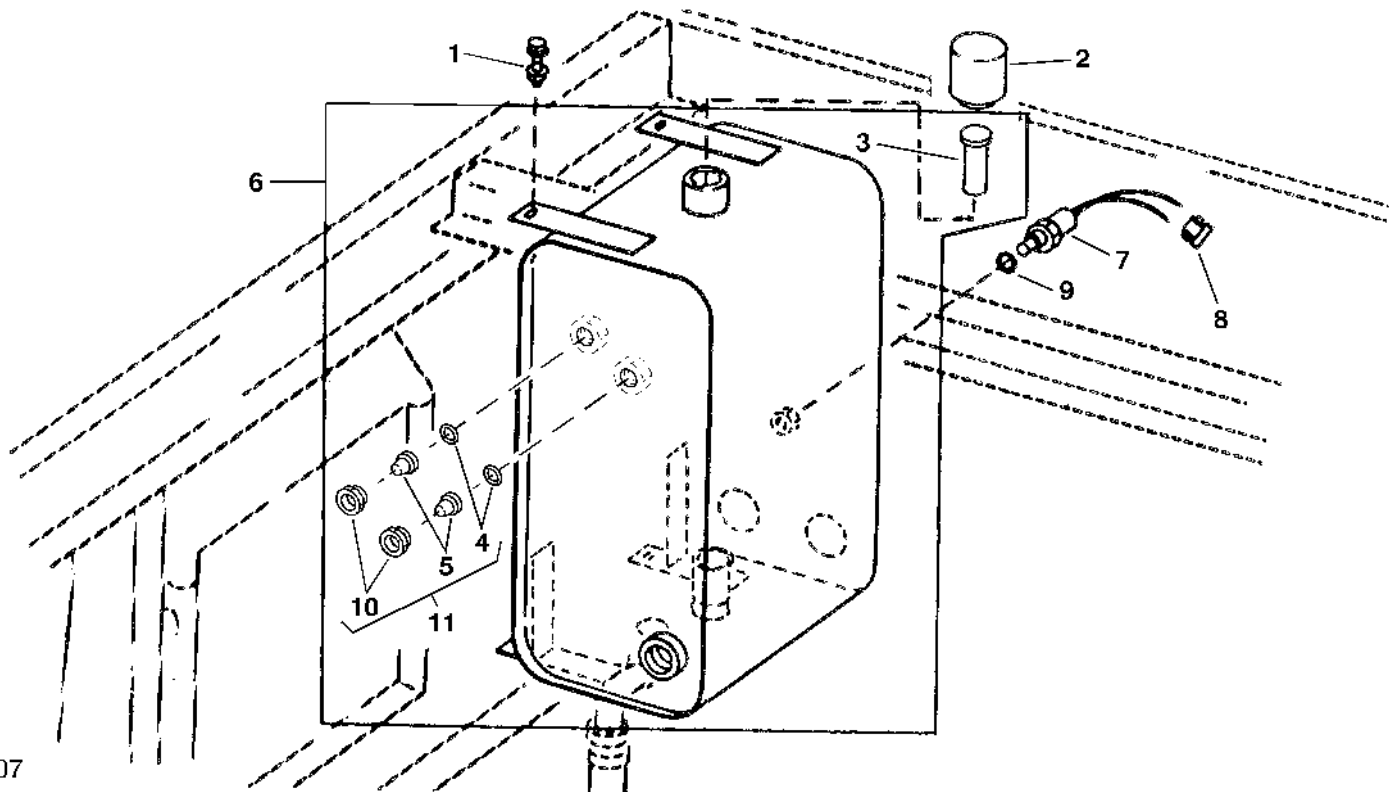


HP2879

KEY	PART NO.	PART NAME	QTY	SERIAL NO.	REMARKS
1	AH128449	HYDRAULIC FILTER	1		
2	AH125733	FILTER HEAD	1		
3	19M7784	SCREW	2	M10 X 20	

HYDRAULIC/HYDROSTATIC OIL RESERVOIR AND MOUNTINGS

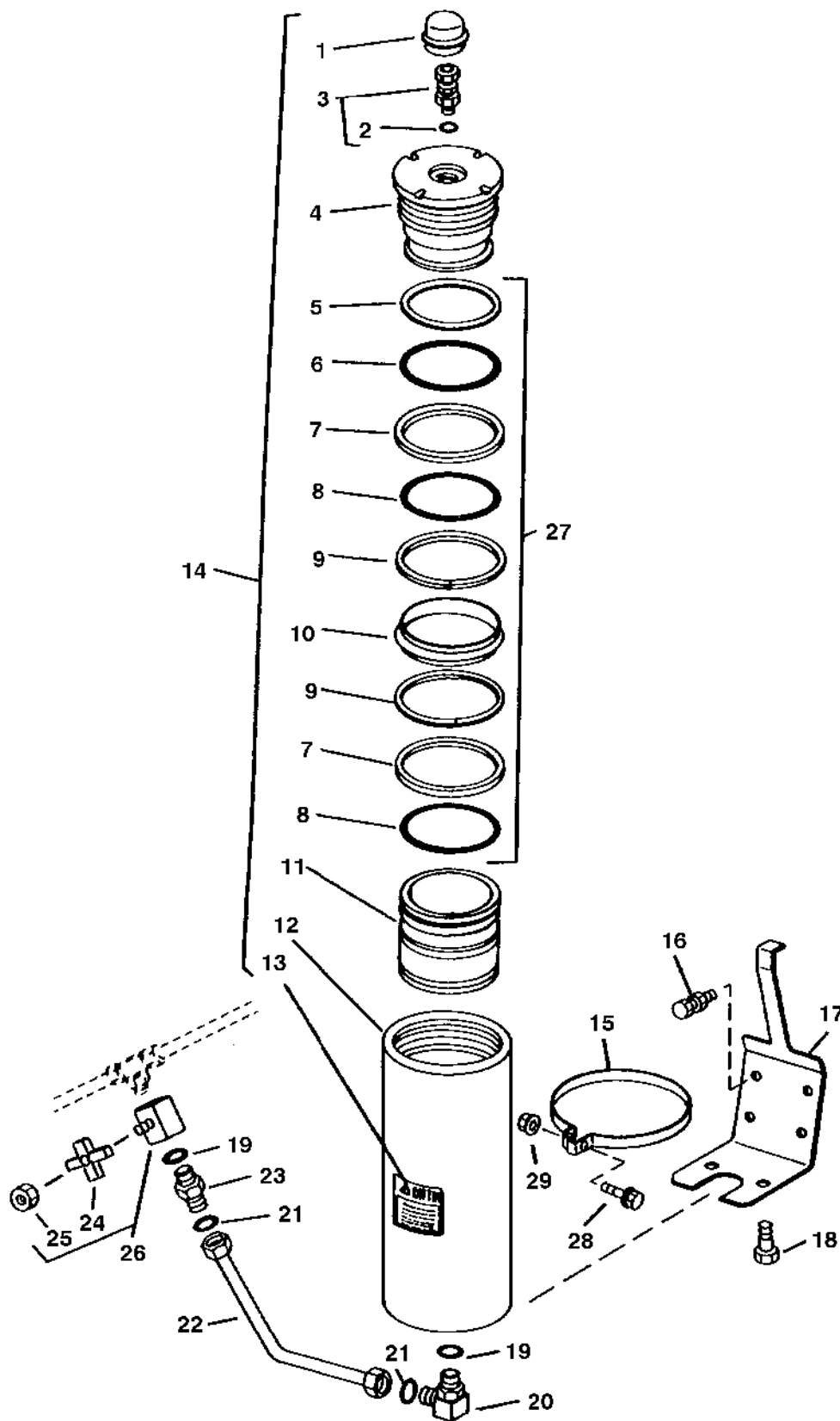
HP7207 -UN-17OCT97



HP7207

KEY	PART NO.	PART NAME	QTY	SERIAL NO.	REMARKS
1	19M7866	SCREW	4		M8 X 20
	14M7298	FLANGE NUT	4		M8
2	AZ49144	BUCKLE	1		
3	AH131334	SCREEN	1	-XXXXXX	
	AH135064	STRAINER	1		
4	P48347	O-RING	2		
5	N209312	LENS	2		(SUB FOR N205021) OIL LEVEL
6	AH157973	HYDRAULIC RESERVOIR	1		
7	AH116105	SWITCH	1		
8	R78059	ELECTRICAL PLUG	1		(PKG OF 40)
9	R26375	O-RING	1		16.358 X 2.210 MM (0.644" X 0.087")
10	N205022	RETAINER	2		
11	AE41319	GAUGE	2		

ONE-HALF GALLON SINGLE ACCUMULATOR AND MOUNTING
HP6834 -UN-18AUG97



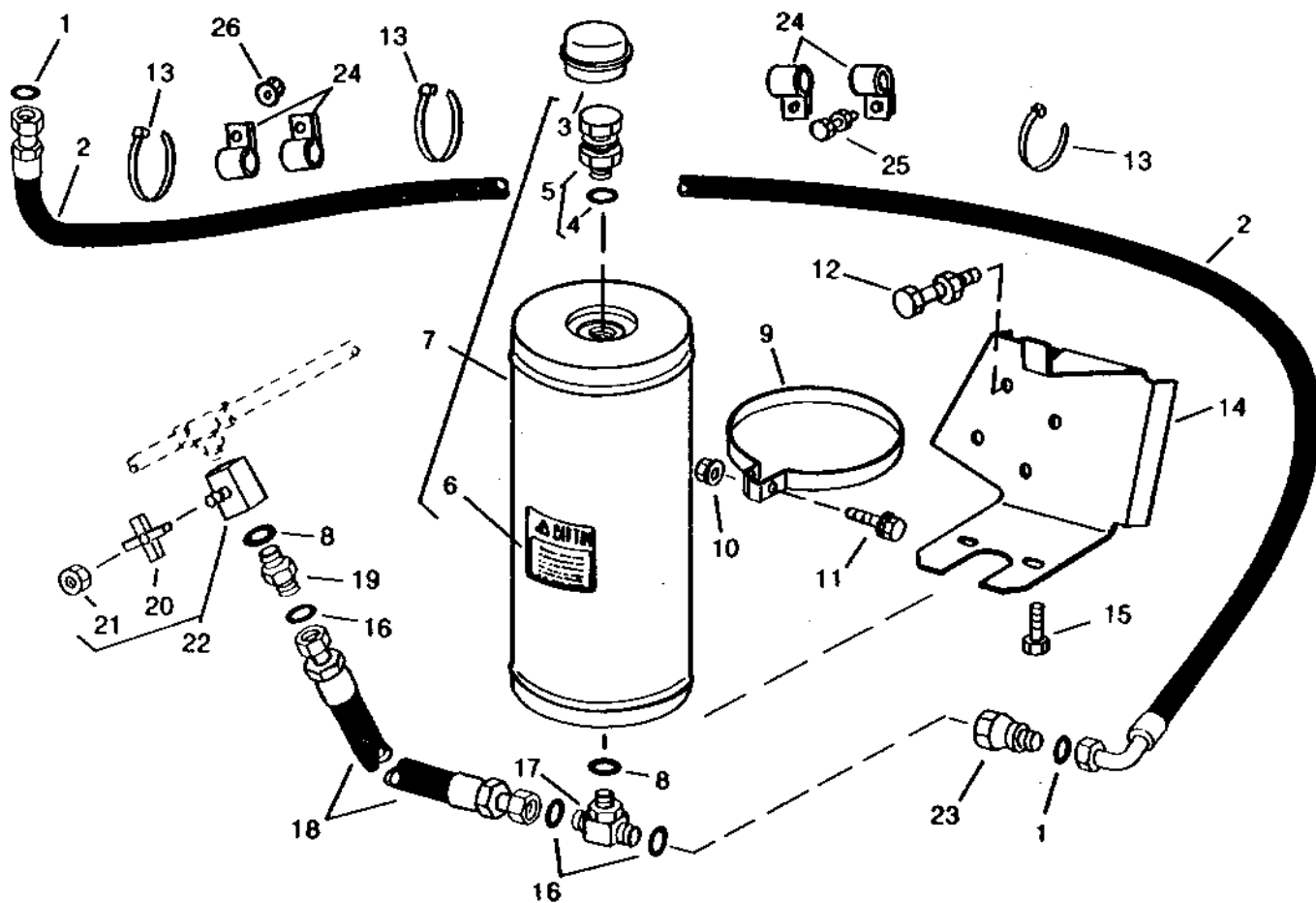
HP6834

ONE-HALF GALLON SINGLE ACCUMULATOR AND MOUNTING - CONTINUED

KEY	PART NO.	PART NAME	QTY	SERIAL NO.	REMARKS
1	J2375M	CAP	1		
2	H135641	RING	1		
3	AH131250	BLEED VALVE	1		
4	CAP	1		
5	BACK-UP RING	1		
6	O-RING	1		
7	SEAL	2	(KIT AH133285)	
8	O-RING	2	(KIT AH133285)	
9	BACK-UP RING	2	(KIT AH133285)	
10	SEAL	1	(KIT AH133285)	
11	PISTON	1	(KIT AH133285)	
12	BARREL	1	(KIT AH133285)	
13	H149092	LABEL	1	"CAUTION"	
	H149369	LABEL	1	ITALIAN	
14	AH133265	ACCUMULATOR	1		
15	R77178	CLAMP	1		
16	19M7866	SCREW	4	M8 X 20	
	14M7298	FLANGE NUT	4	M8	
17	H137593	BRACKET	1		
18	19M7864	SCREW	2	M8 X 12	
19	R26375	O-RING	2	16.358 X 2.210 MM (0.644" X 0.087")	
20	38H1005	ELBOW FITTING	1		
21	T77857	O-RING	2	12.421 X 1.778 MM (0.489" X 0.070")	
22	AH132203	OIL LINE	1		
23	38H1161	ADAPTER	1		
24	N232713	HANDLE	1		
25	K40001	LOCK NUT	1	6.350 MM (1/4")	
26	AH131535	VALVE	1		
27	AH133285	SEAL	1		
28	19M8162	CAP SCREW	1	M10 X 40	
29	14M7296	FLANGE NUT	1	M10	
..	BH80267	COMPLETE GOODS/SHIP. BUNDLE	1	WITH FLOAT INDICATOR	

ONE GALLON ACCUMULATOR, HOSE, LINE AND MOUNTING

HP5640 -UN-01JAN94

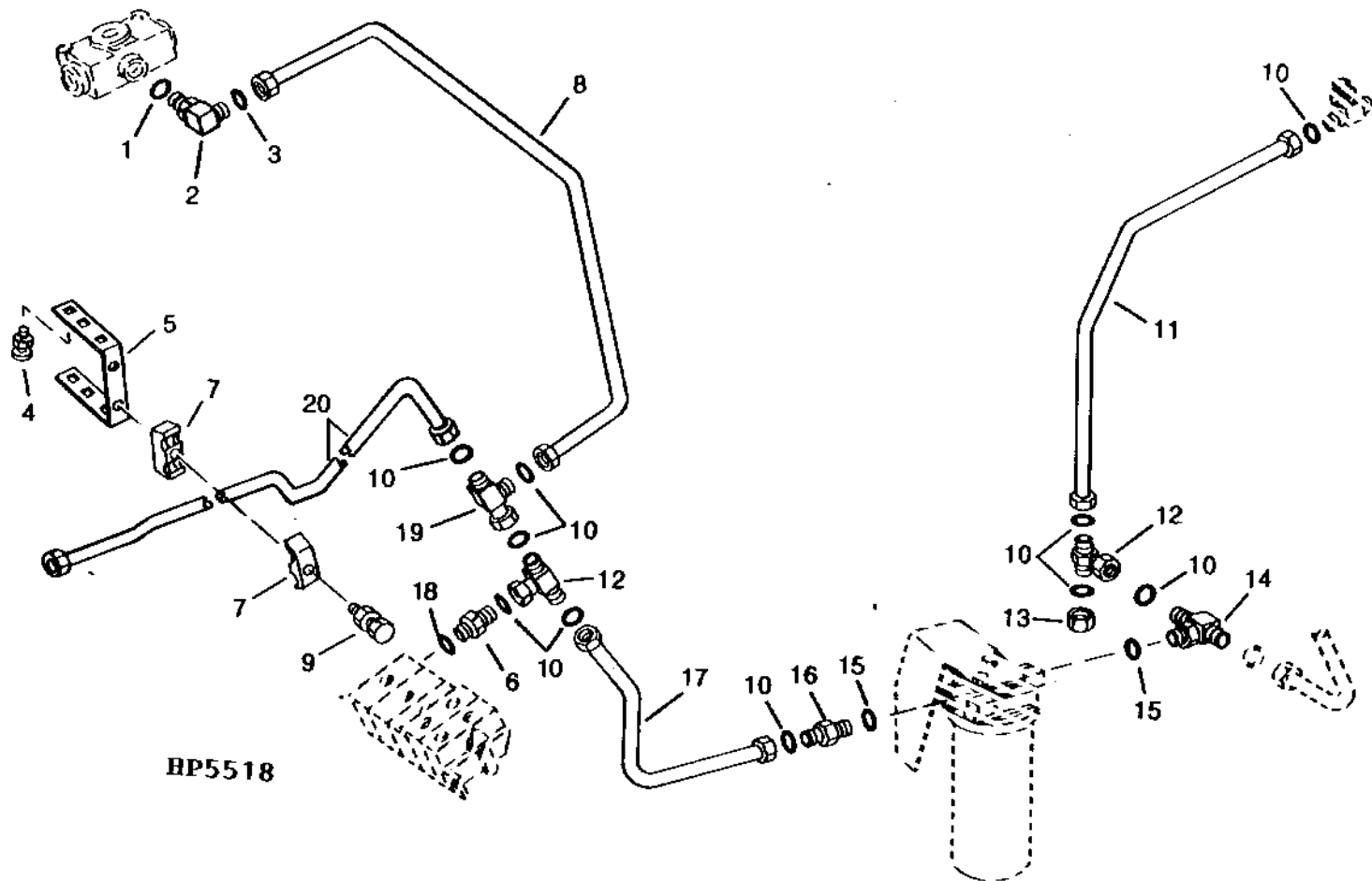
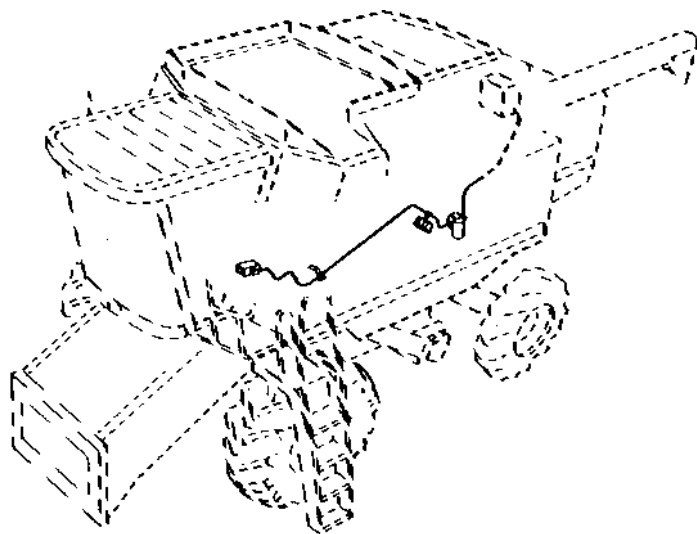


HP5640

ONE GALLON ACCUMULATOR, HOSE, LINE AND MOUNTING - CONTINUED

KEY	PART NO.	PART NAME	QTY	SERIAL NO.	REMARKS
1	T77613	O-RING	2		9.246 X 1.778 MM (0.364" X 0.070")
2	AH133151	HYDRAULIC HOSE	1		11/16" X 3 940 MM (155") X 11/16"
3	J2375M	CAP	2		
4	H135641	RING	2		
5	AH131250	BLEED VALVE	2		
6	H149092	LABEL	1		"CAUTION"
7	AH143455	ACCUMULATOR	1		
8	R26375	O-RING	2		16.358 X 2.210 MM (0.644" X 0.087")
9	R77178	CLAMP	1		
10	14M7296	FLANGE NUT	1		M10
11	03M7196	BOLT	1		M10 X 50, (IMPORT)
12	19M7866	SCREW	4		M8 X 20
	14M7298	FLANGE NUT	4		M8
13	R44302	TIE BAND	3		171MM (6-3/4") LONG
14	H148366	BRACKET	1		
15	19M7864	SCREW	2		M8 X 12
16	T77857	O-RING	3		12.421 X 1.778 MM (0.489" X 0.070")
17	38H1017	TEE FITTING	1		
18	AH148124	HYDRAULIC HOSE	1		13/16" X 460 MM (18") X 13/16"
19	38H1161	ADAPTER	1		
20	N232713	HANDLE	1		
21	K40001	LOCK NUT	1		6.350 MM (1/4")
22	AH131535	VALVE	1		
23	38H1481	REDUCER	1		
24	H75541	CLAMP	4		
25	03M7183	BOLT	1		M8 X 16
	19M7298	CAP SCREW	1		M8 X 35
26	14M7296	FLANGE NUT	1		M10

HYDRAULIC RETURN LINES
HP5518 -UN-01JAN94

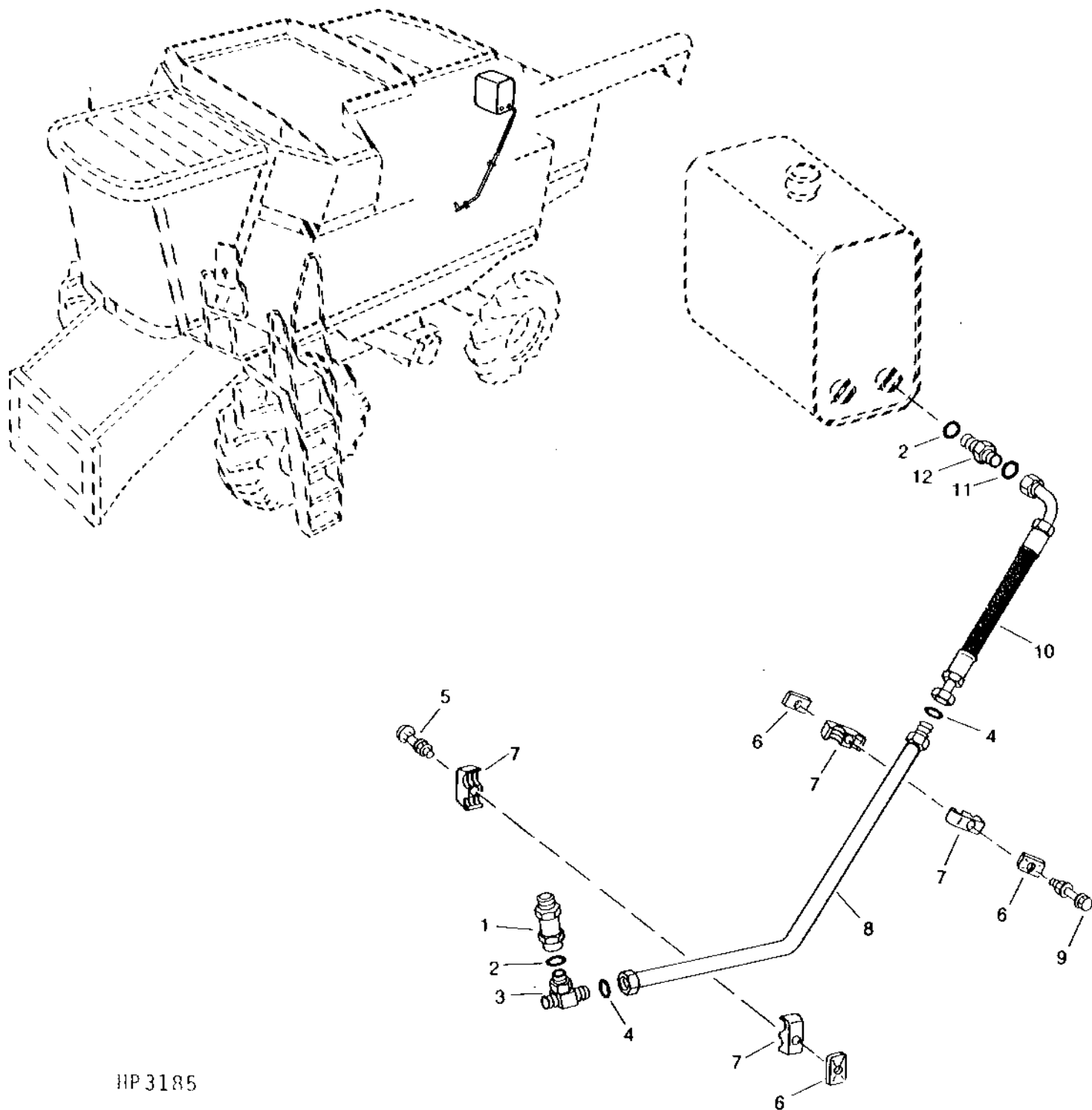


HYDRAULIC RETURN LINES - CONTINUED

KEY	PART NO.	PART NAME	QTY	SERIAL NO.	REMARKS
1	R26906	O-RING	1		
2	38H1006	ELBOW FITTING	1		
3	T77932	O-RING	2		
4	03M7184	BOLT	4		19.177 X 2.464 MM (0.755" X 0.097")
	14M7396	LOCK NUT	4		15.596 X 1.778 MM (0.614" X 0.070")
5	H131115	BRACKET	1		
6	38H1193	ADAPTER	1		
7	H120847	CLAMP	2		
8	AH144345	LINE	1		REEL RETURN
9	19M7913	SCREW	1		M8 X 90
	14M7298	FLANGE NUT	1		M8
10	T77858	O-RING	9		18.771 X 1.778 MM (0.739" X 0.070")
11	AH130448	HYDRAULIC LINE	1		(RETURN)
12	38H1041	TEE FITTING	2		
13	38H1418	FITTING PLUG	1		
14	38H1437	TEE FITTING	1		
15	R29936	O-RING	2		29.743 X 2.946 MM (1.171" X 0.116")
16	38H1194	ADAPTER	1		
17	AH126122	HYDRAULIC LINE	1		(RETURN)
18	R26375	O-RING	1		16.358 X 2.210 MM (0.644" X 0.087")
19	38H1033	TEE FITTING	1		
20	AH143436	LINE	1		

RESERVOIR HYDRAULIC UPPER RETURN LINES AND HOSES

HP3185 -UN-01JAN94

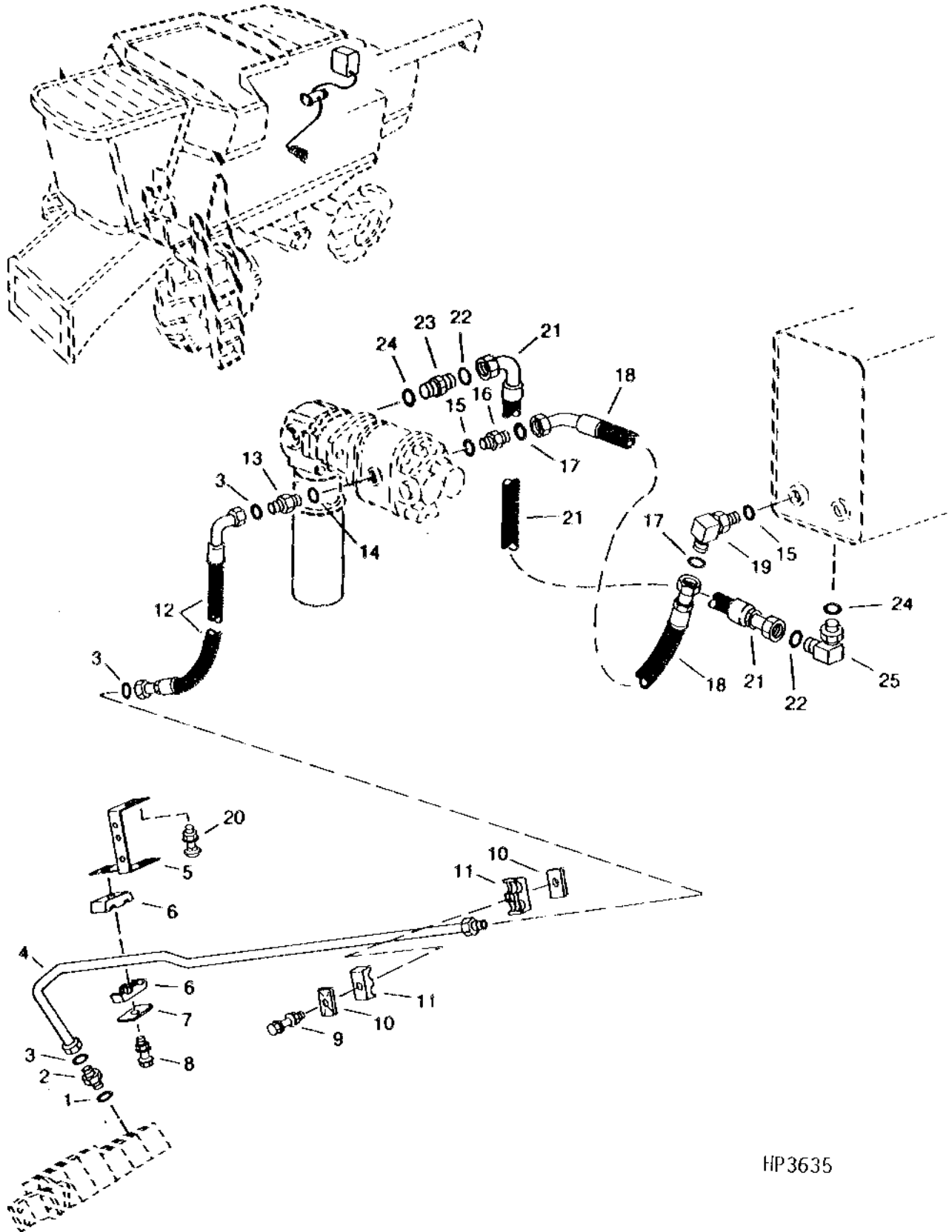


HP3185

RESERVOIR HYDRAULIC UPPER RETURN LINES AND HOSES - CONTINUED

KEY	PART NO.	PART NAME	QTY	SERIAL NO.	REMARKS
1	AH118337	CHECK VALVE	1		
2	U12547	O-RING	2		23.470 X 2.946 MM (0.924" X 0.116")
3	38H1019	TEE FITTING	1		
4	T77858	O-RING	2		18.771 X 1.778 MM (0.739" X 0.070")
5	03M7245	BOLT	1		M8 X 55 (RD. HEAD)
	14M7298	FLANGE NUT	1		M8
6	H112567	PLATE	3		
7	H114865	CLAMP	4		
8	AH130568	HYDRAULIC LINE	1		(UPPER RETURN)
9	19M7801	SCREW	1		M8 X 60
	14M7298	FLANGE NUT	1		M8
10	AH130567	HYDRAULIC HOSE	1		1-3/16" X 305 MM (12") X 1-3/16" (UPPER RETURN)
11	T77858	O-RING	1		18.771 X 1.778 MM (0.739" X 0.070")
12	38H1163	ADAPTER	1		

HYDRAULIC PRESSURE LINES AND HOSES
HP3635 -UN-01JAN94

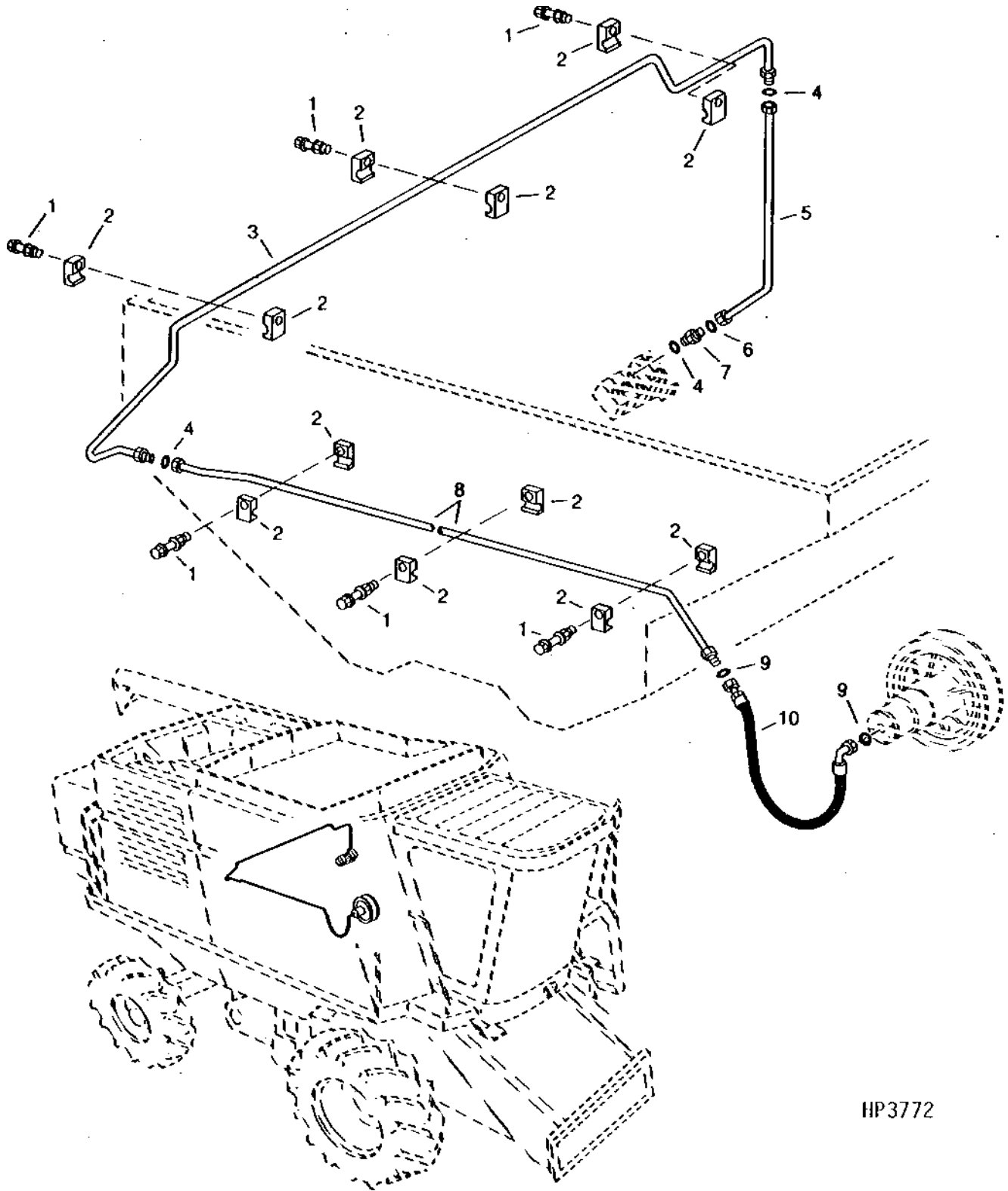


HP3635

HYDRAULIC PRESSURE LINES AND HOSES - CONTINUED

KEY	PART NO.	PART NAME	QTY	SERIAL NO.	REMARKS
1	R26375	O-RING	1		16.358 X 2.210 MM (0.644" X 0.087")
2	38H1317	FITTING	1		
3	T77932	O-RING	3		15.596 X 1.778 MM (0.614" X 0.070")
4	AH129244	OIL LINE	1		
5	H133659	BRACKET	1		
6	H109046	CLAMP	2		
7	H121168	PLATE	1		
8	19M8318	SCREW	1		M8 X 45
	14M7298	FLANGE NUT	1		M8
9	19M7801	SCREW	1		M8 X 60
	14M7298	FLANGE NUT	1		M8
10	H112567	PLATE	2		
11	H111730	CLAMP	2		
12	AH166953	HYDRAULIC HOSE	1		(SUB FOR AH128742)
13	38H1162	ADAPTER	1		
14	R26906	O-RING	1		19.177 X 2.464 MM (0.755" X 0.097")
15	R29936	O-RING	2		29.743 X 2.946 MM (1.171" X 0.116")
16	38H1164	ADAPTER	1		
17	T76938	O-RING	2		23.520 X 1.778 MM (0.926" X 0.070")
18	AH126240	HYDRAULIC HOSE	1		1-7/16" X 600 MM (23-1/2") X 1-7/16"
19	38H1037	ELBOW FITTING	1		
20	03M7184	BOLT	4		M8 X 20 (RD. HEAD)
	14M7396	LOCK NUT	4		M8
21	AH126242	HYDRAULIC HOSE	1		1-7/16" X 730 MM (28-3/4") X 1-7/16"
22	T76938	O-RING	2		23.520 X 1.778 MM (0.926" X 0.070")
23	38H1164	ADAPTER	1		
24	R29936	O-RING	2		29.743 X 2.946 MM (1.171" X 0.116")
25	38H1037	ELBOW FITTING	1		

CYLINDER SPEED HYDRAULIC LINES AND HOSES
HP3772 -UN-01JAN94

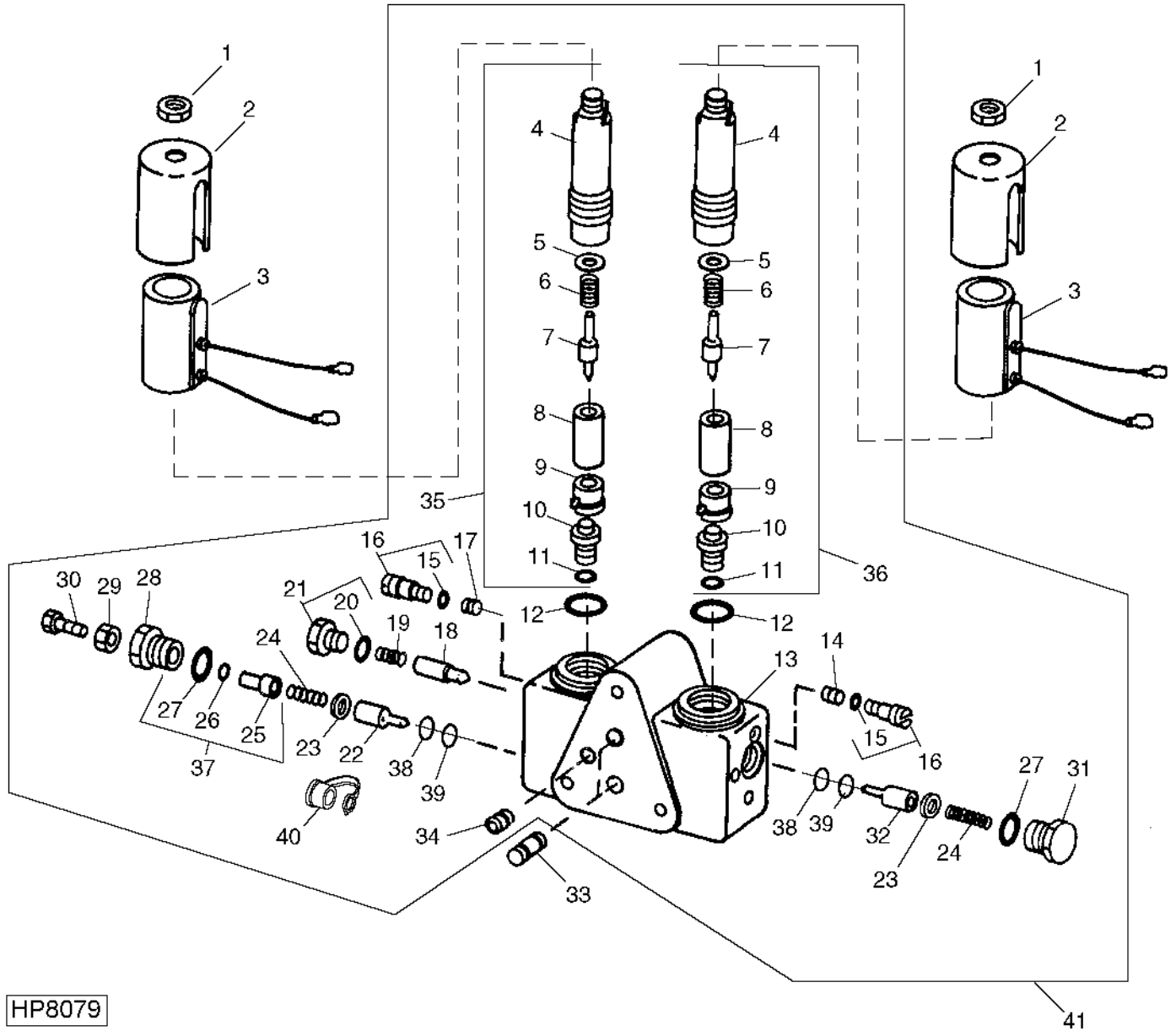


HP3772

CYLINDER SPEED HYDRAULIC LINES AND HOSES - CONTINUED

KEY	PART NO.	PART NAME	QTY	SERIAL NO.	REMARKS
1	19M8317	SCREW	6	M8 X 40	
	14M7298	FLANGE NUT	6	M8	
2	H127589	CLAMP	12		
3	AH127892	HYDRAULIC LINE	1		
4	R26448	O-RING	3	11.887 X 1.981 MM (0.468" X 5/64")	
5	AH128853	HYDRAULIC LINE	1		
6	R26448	O-RING	3	11.887 X 1.981 MM (0.468" X 5/64")	
7	AH130629	FITTING	1		
8	AH128640	HYDRAULIC LINE	1		
9	T77814	O-RING	2	7.645 X 1.778 MM (0.301" X 0.070")	
10	AH128639	HYDRAULIC HOSE	1	9/16" X 410 MM (16-1/4") X 9/16"	

SOLENOID CONTROL VALVE FOR HEADER LIFT MODULE
HP8079 -UN-15DEC98



HP8079

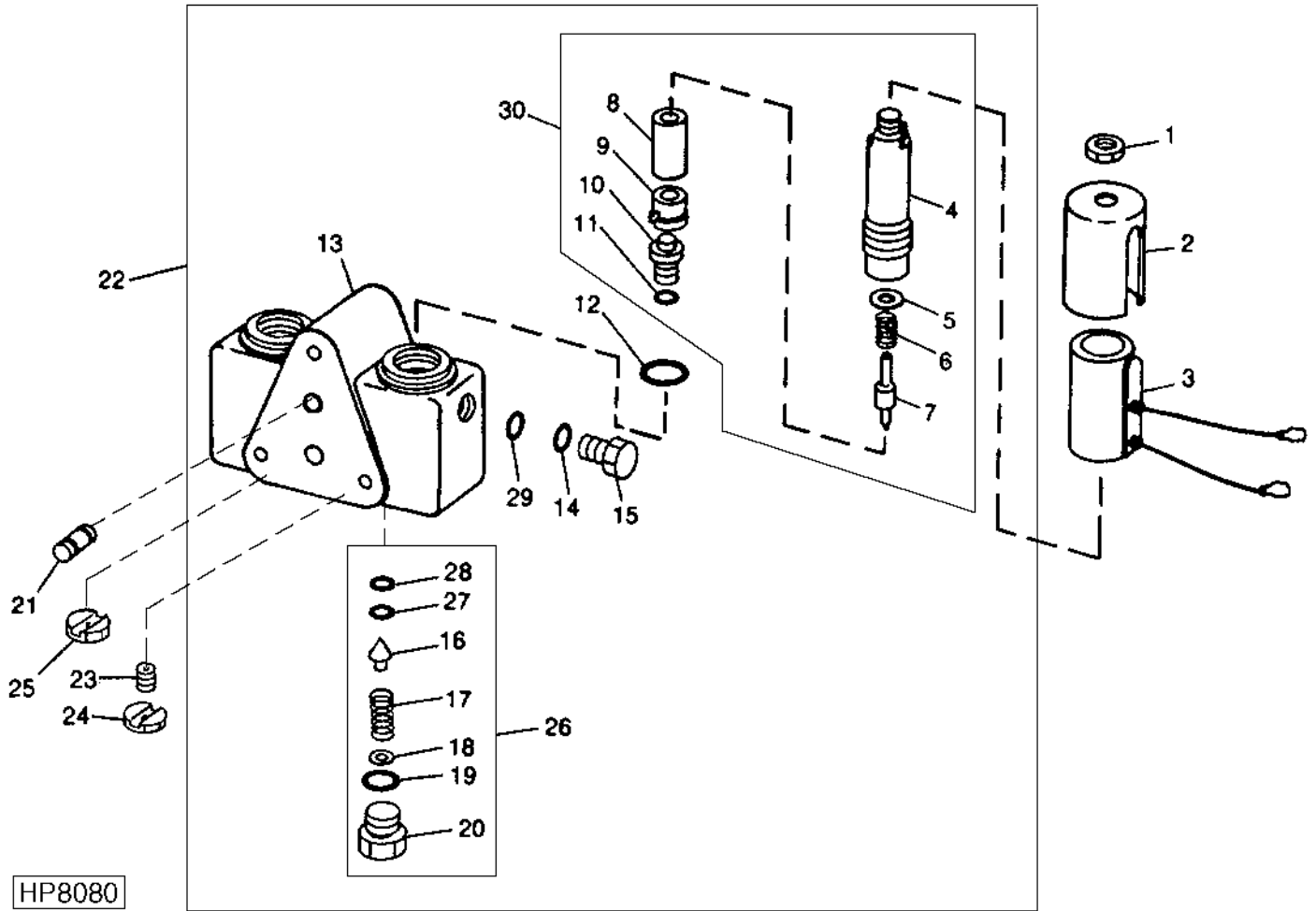
SOLENOID CONTROL VALVE FOR HEADER LIFT MODULE - CONTINUED

KEY	PART NO.	PART NAME	QTY	SERIAL NO.	REMARKS
1	A4655R	NUT	2		
2	E62942	COVER	2		
3	AH124731	ELECTRICAL COIL	2		
4	SLEEVE	2	(A)	
5	WASHER	2	(A)	
6	E62089	SPRING	2	(A)	
7	POPPET	2	(A)	
8	ARMATURE	2	(A)	
9	SOLENOID	2	(A)	
10	ORIFICE	2	(A)	
11	U40962	O-RING	2		(A) 6.071 X 1.778 MM (0.239" X 0.070")
12	T75984	O-RING	2		(A) 20.345 X 1.778 MM (0.801" X 0.070")
13	HOUSING	1		
14	ORIFICE	1		
15	T26257	O-RING	2		2.565 X 1.778 MM (0.101" X 0.070")
16	AE38734	PLUG	1		
17	ORIFICE	1		
18	E66620	CHECK VALVE	1	(A)	
19	E66619	SPRING	1		
20	R28782	O-RING	1		8.915 X 1.829 MM (0.351" X 0.072")
21	AN122518	FITTING	1		
22	H142183	CHECK VALVE	1	(A)	
23	H148775	O-RING	2		(A) 10.668 X 13.716 X 1.524 MM (0.420" X 0.540" X 0.060")
24	E66618	SPRING	2		
25	STOP	1		
26	U42902	RING	1		4.470 X 1.778 MM (0.176" X 0.070")
27	R26448	O-RING	2		11.887 X 1.981 MM (0.468" X 5/64")
28	CAP	1		
29	14H850	NUT	1		1/4"
30	19H1914	CAP SCREW	1		1/4" X 1"
31	CAP	1		
32	POPPET	1		
33	AH131326	SEAL	2		(WITH O-RING AND BACK-UP RING)
34	AH131405	SEAL	1		(WITH O-RING AND BACK-UP RING)
35	AE50995	POPPET	1		
36	AZ51851	GUIDE	1		
37	AE38021	KIT	1		
38	O-RING	1		
39	ORIFICE	1		
40	COVER	1		
41	AH147084	VALVE	1		(CONTOUR MASTER)

2116

SOLENOID CONTROL VALVE FOR REEL LIFT / VARIABLE AND CYLINDER SPEED

HP8080 -UN-14DEC98



HP8080

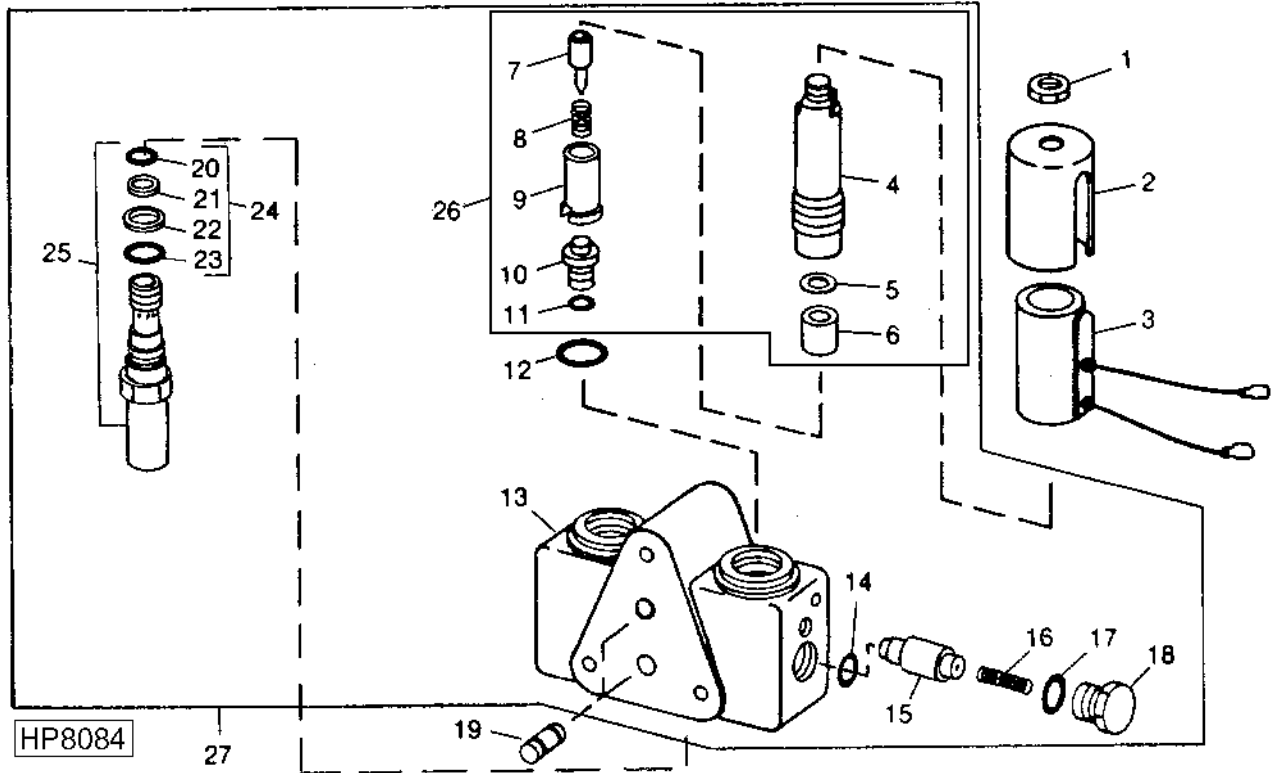
2117

HYDRAULICS

SOLENOID CONTROL VALVE FOR REEL LIFT / VARIABLE AND CYLINDER SPEED - CONTINUED

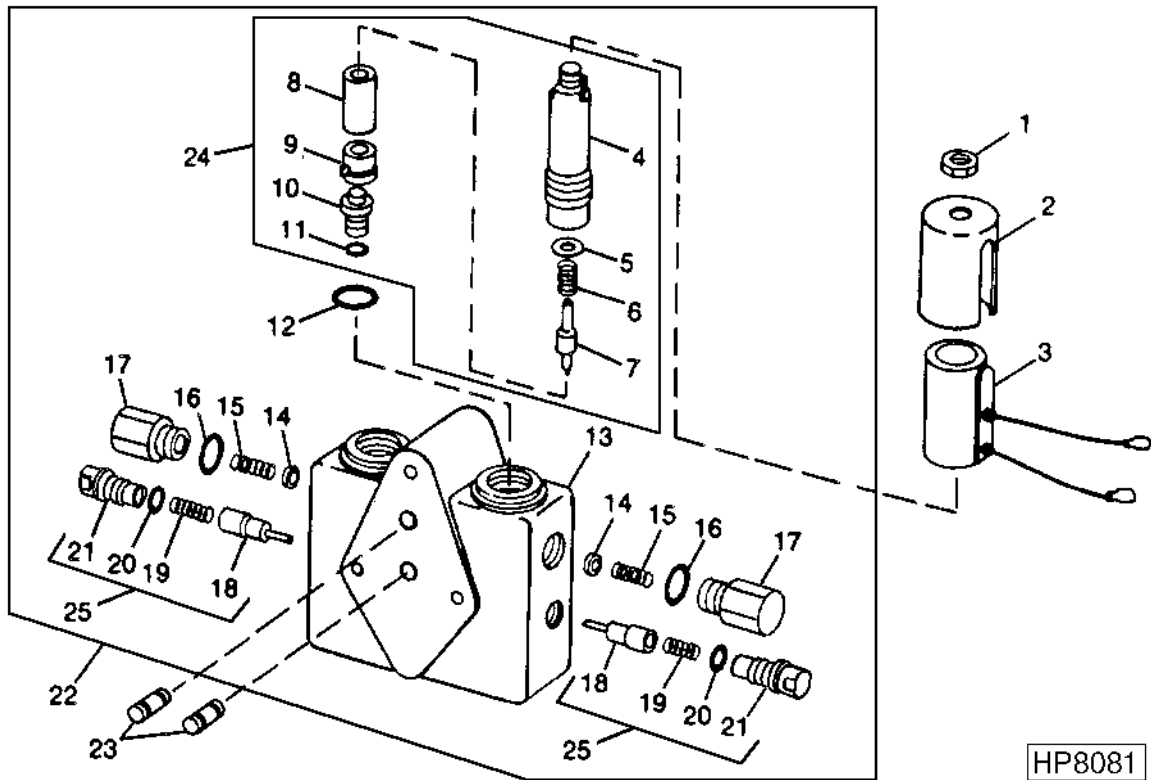
KEY	PART NO.	PART NAME	QTY	SERIAL NO.	REMARKS
1	A4655R	NUT	2		
2	E62942	COVER	2		
3	AH124731	ELECTRICAL COIL	2		
4	SLEEVE	2		
5	WASHER	2		
6	E62089	SPRING	2		
7	POPPET	2		
8	ARMATURE	2		
9	SOLENOID	2		
10	ORIFICE	2		
11	U40962	O-RING	2		6.071 X 1.778 MM (0.239" X 0.070")
12	T75984	O-RING	2		20.345 X 1.778 MM (0.801" X 0.070")
13	HOUSING	2		
14	R30903	O-RING	1		6.071 X 1.626 MM (0.239" X 0.064")
15	FITTING	1		(SAE-2)
16	POPPET	1		
17	SPRING	1		
18	SHIM	AR		
19	R28782	O-RING	1		8.915 X 1.829 MM (0.351" X 0.072")
20	PLUG	1		
21	AH131326	SEAL	2		(WITH O-RING AND BACKUP RING)
22	AH139060	VALVE	1		LESS COILS,CONNECTING TUBES AND ORIFICE
23	E62917	ORIFICE	1		.508 MM DIA.
24	H145052	APERTURE	1		.406 MM DIA.
25	H145051	APERTURE	1		.940 MM DIA.
26	AH131421	SEAT KIT	1		
27	O-RING	1		
28	ORIFICE	1		
29	ORIFICE	1		
30	AH131420	SEAT KIT	1		

SOLENOID CONTROL RELIEF VALVE MODULE
 HP8084 -UN-11DEC98



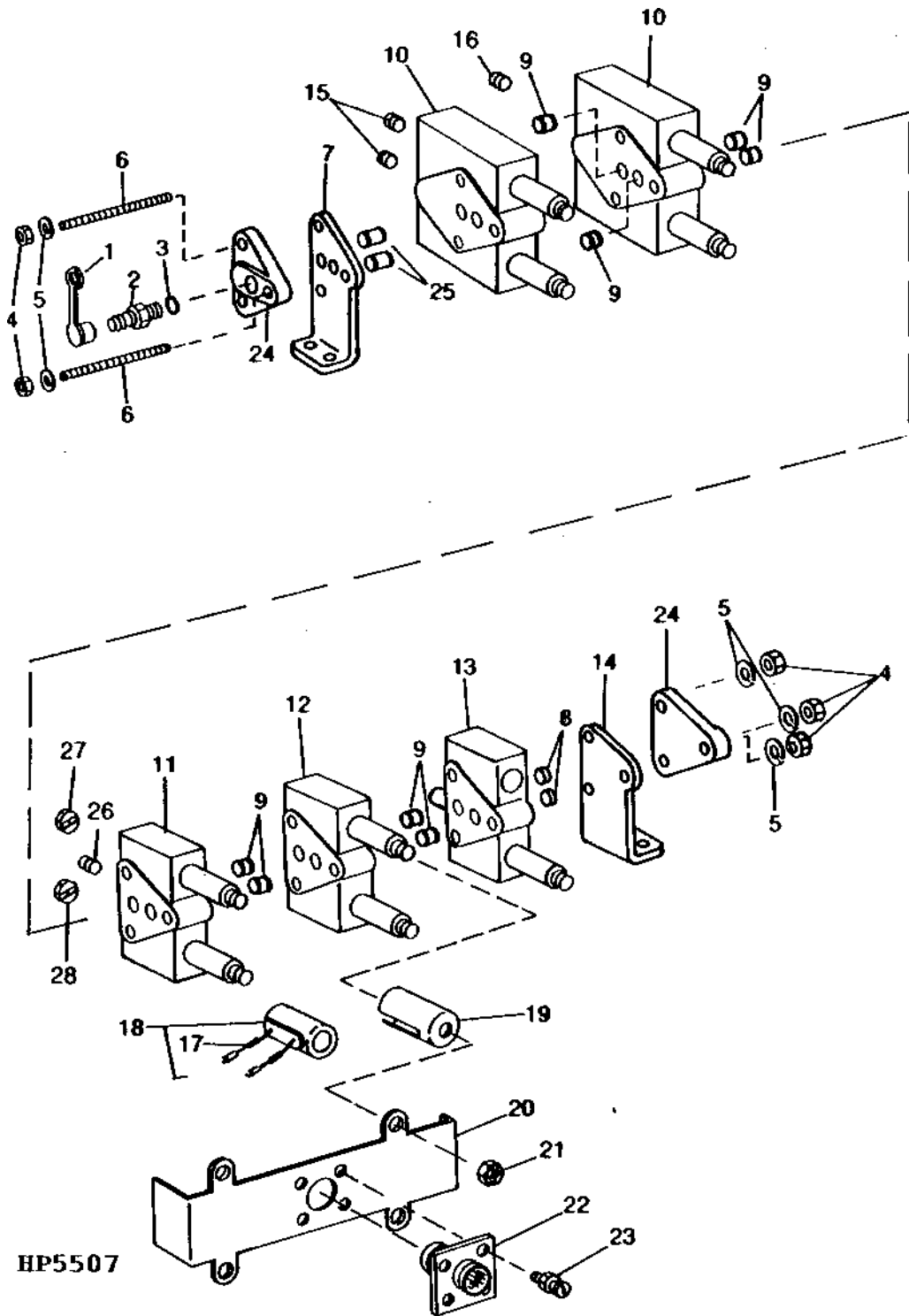
KEY	PART NO.	PART NAME	QTY	SERIAL NO.	REMARKS
1	A4655R	NUT	1		12.700 MM (1/2")
2	E62942	COVER	1		
3	AH124731	ELECTRICAL COIL	1		
4	SLEEVE	1		
5	WASHER	1		
6	ARMATURE	1		
7	POPPET	1		
8	SPRING	1		
9	GUIDE	1		
10	ORIFICE	1		
11	U40962	O-RING	1		6.071 X 1.778 MM (0.239" X 0.070")
12	T75984	O-RING	1		
13	HOUSING	1		
14	R27564	O-RING	1		
15	POPPET	1		
16	SPRING	1		
17	R26906	O-RING	1		19.177 X 2.464 MM (0.755" X 0.097")
18	PIPE PLUG	1		
19	AH131326	SEAL	2		(WITH O-RINGS AND BACKUPS)
20	SEAL	1		
21	O-RING	1		
22	O-RING	1		
23	SEAL	1		
24	AH148472	SEAL KIT	1		
25	AH147085	RELIEF VALVE	1		(CONTOUR MASTER)
26	AH134833	SEAL KIT	1		
27	AH147097	VALVE	1		UNLOAD (RELIEF) (CONTOUR MASTER)

SOLENOID CONTROL VALVE FOR AUGER SWING
SOLENOID CONTROL VALVE FOR REEL FORE/AFT
 HP8081 -UN-14DEC98



KEY	PART NO.	PART NAME	QTY	SERIAL NO.	REMARKS
1	A4655R	NUT	2		12.700 MM
2	E62942	COVER	2		
3	AH124731	ELECTRICAL COIL	2		
4	SLEEVE	2		
5	WASHER	2		
6	E62089	SPRING	2		
7	POPPET	2		
8	ARMREST	2		
9	SOLENOID	2		
10	ORIFICE	2		
11	U40962	O-RING	2		6.071 X 1.778 MM (0.239" X 0.070")
12	T75984	O-RING	2		20.345 X 1.778 MM (0.801" X 0.070")
13	HOUSING	1		
14	E62094	WASHER	2		7.620 X 17.526 X 2.388 MM
15	SPRING	2		
16	R26906	O-RING	2		19.177 X 2.464 MM (0.755" X 0.097")
17	PIPE PLUG	2		
18	POPPET	2		
19	SPRING	2		
20	U40745	O-RING	2		15.545 X 2.616 MM (0.612" X 0.103")
21	CAP	2		
22	AH147086	VALVE	1		
23	AH131326	SEAL	2		
24	AE50995	POPPET	2		
25	AH142731	KIT	2		

SOLENOID CONTROL VALVE MODULE ASSEMBLY AND MOUNTINGS
HP5507 -UN-01JAN94



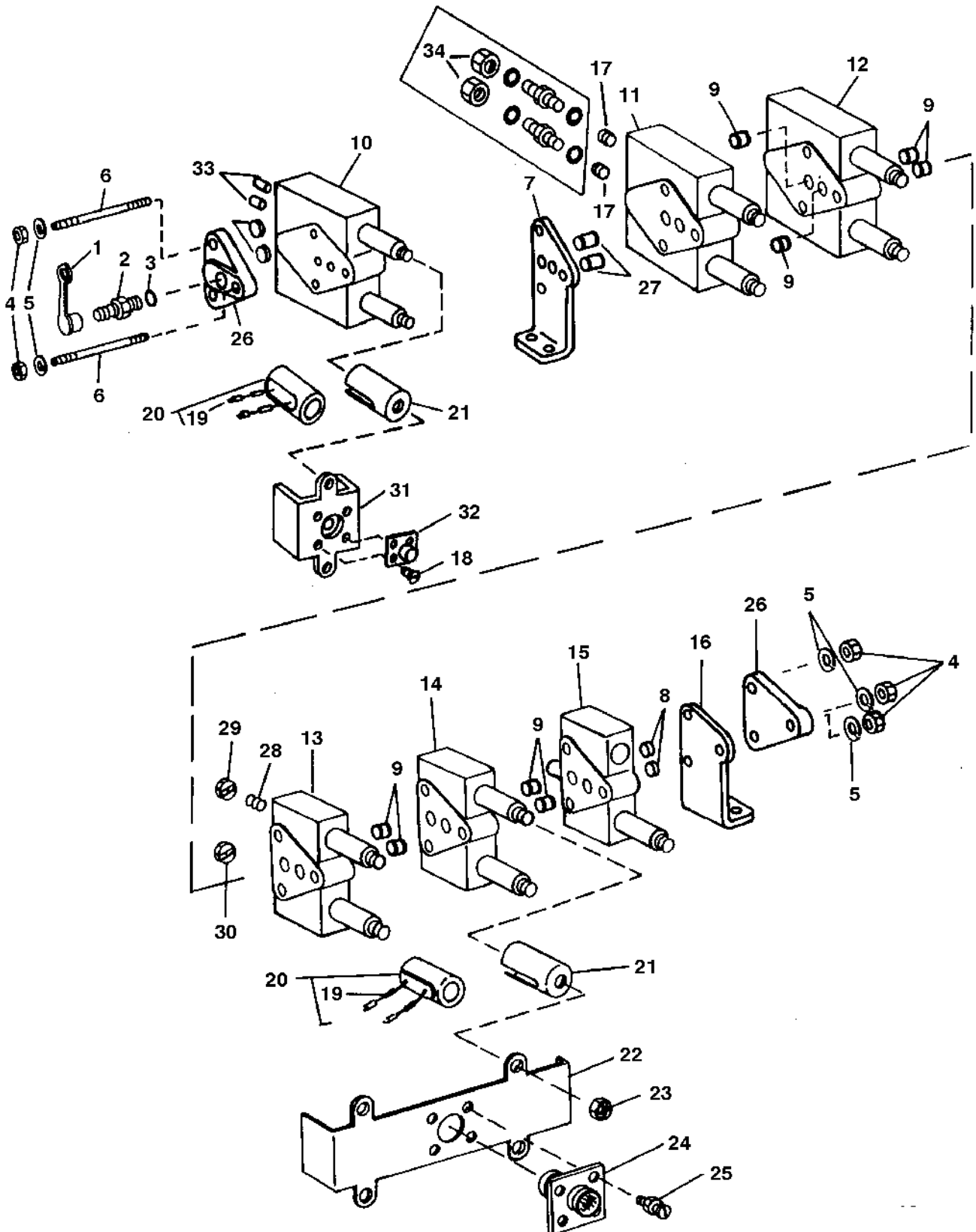
HP5507

SOLENOID CONTROL VALVE MODULE ASSEMBLY AND MOUNTINGS - CONTINUED

KEY	PART NO.	PART NAME	QTY	SERIAL NO.	REMARKS
1	R77175	COVER	1		
2	AH125760	HYD. QUICK-CONNECT COUPLER	1		
3	R26448	O-RING	1		11.887 X 1.981 MM (0.468" X 5/64")
4	14H786	NUT	6		1/4"
5	12H297	LOCK WASHER	6		1/4"
6	E62892	STUD	3		1/4" X 11-3/4" 1/4" X 11-3/4" (CUT TO LENGTH)
7	H135897	BRACKET	1		(USE WITH H139515 AND (2) AH134733)
8	AH131405	SEAL	3		
9	AH131326	SEAL	AR		(WITH 5 MODULES-USE 9; WITH 4 MODULES-USE 7)
10	AH147086	VALVE	AR		
11	AH139060	VALVE	1		(REEL LIFT/CYLINDER SPEED) (USE WITH E62917 AND H145051 AND H145052 AND (2) 38H1309)
12	AH147084	VALVE	1		(CONTOUR MASTER)
13	AH147097	VALVE	1		UNLOAD (RELIEF) (CONTOUR MASTER)
14	H139512	BRACKET	1		(USE WITH H139515)
15	H135777	ORIFICE	2		0.76MM DIA.
16	H135776	ORIFICE	1		1.06MM DIA.
17	R77464	PIN CONTACT	AR		(PACKAGE OF 50)
18	AH124731	ELECTRICAL COIL	AR		(WITH 5 MODULES-USE 9; WITH 4 MODULES-USE 7)
19	E62942	COVER	AR		(WITH 5 MODULES-USE 9; WITH 4 MODULES-USE 7)
20	H135898	COVER	1		
21	A4655R	NUT	AR		(WITH 5 MODULES-USE 9; WITH 4 MODULES-USE 7)
22	57M7199	PIN CONTACT	1		(24 WAY)
23	21H1290	SCREW	4		0.138" X 1/2"
	14H1026	NUT	4		0.138"
24	H139515	MANIFOLD	2		
25	AH134733	SEAL	2		
26	E62917	ORIFICE	1		.508 MM DIA.
27	H145052	APERTURE	1		.406 MM DIA.
28	H145051	APERTURE	1		.940 MM DIA.

SIX STACK SOLENOID CONTROL VALVE MODULE ASSEMBLY AND MOUNTINGS

HP6837 -UN-18AUG97

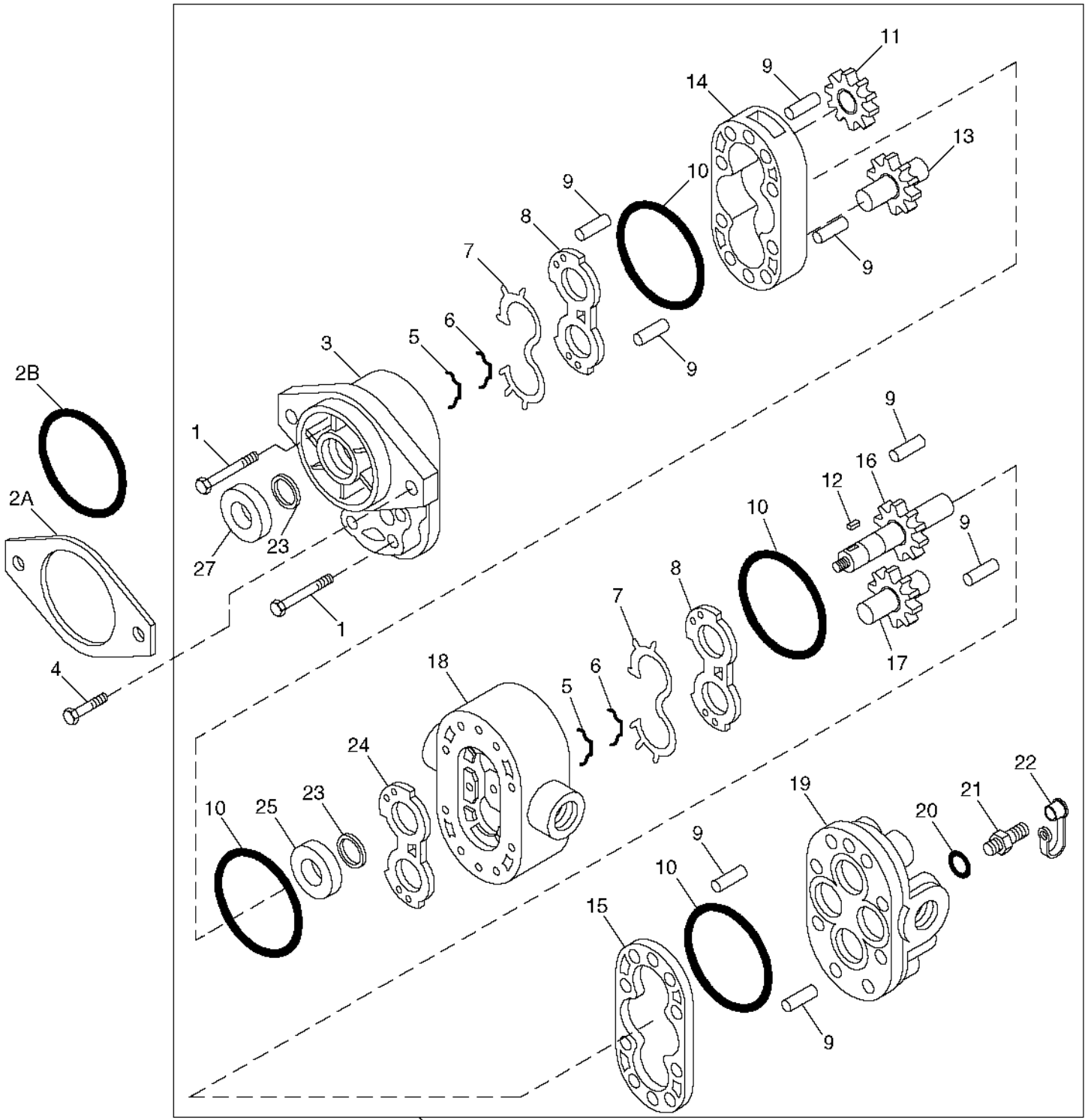


HP6837

SIX STACK SOLENOID CONTROL VALVE MODULE ASSEMBLY AND MOUNTINGS - CONTINUED

KEY	PART NO.	PART NAME	QTY	SERIAL NO.	REMARKS
1	R77175	COVER	1		
2	AH125760	HYD. QUICK-CONNECT COUPLER	1		
3	R26448	O-RING	1		
4	14H786	NUT	6	6.350 MM (1/4")	
5	12H297	LOCK WASHER	6	6.350 MM (1/4")	
6	H149803	TIE ROD	3	1/4" X 13-1/2" (CUT TO LENGTH)	
7	H139513	BRACKET	1	(USE WITH H139515 AND (2) AH134733)	
8	AH131405	SEAL	2		
9	AH131326	SEAL	10		
10	AH147086	VALVE	1	CONTOUR MASTER	
11	AH147086	VALVE	1	REEL FORE/AFT	
12	AH147086	VALVE	1	AUGER SWING	
13	AH139060	VALVE	1	(USE WITH E62917, H145051, H145052 AND (2) 38H1160) REEL LIFT/CYLINDER SPEED	
14	AH147084	VALVE	1	(CONTOUR MASTER)	
15	AH147097	VALVE	1	UNLOAD (RELIEF) (CONTOUR MASTER)	
16	H139512	BRACKET	1	(USE WITH H139515)	
17	H135777	ORIFICE	2	0.76 MM DIA.	
18	M71770	SCREW	4		
19	R77464	PIN CONTACT	AR	(PKG. OF 50)	
20	AH124731	ELECTRICAL COIL	11		
21	E62942	COVER	11		
22	H135898	COVER	1		
23	A4655R	NUT	11		
24	57M7199	RECEPTACLE	1	(24 WAY)	
25	21H1290	SCREW	4	3.505 X 12.700 MM (0.138" X 1/2")	
	14H1026	NUT	4	3.505 MM (0.138")	
26	H139515	MANIFOLD	2		
27	AH134733	SEAL	2		
28	E62917	ORIFICE	1	0.508 MM DIA.	
29	H145052	APERTURE	1	0.406 MM DIA.	
30	H145051	APERTURE	1	0.940 MM DIA.	
31	H150062	COVER	1		
32	RECEPTACLE	1	(4 PIN CONNECTOR)	
33	H149804	ORIFICE	2	1.19 MM DIA.	
34	38H1415	FITTING PLUG	2	(W/CONTOUR MASTER) (W/O REEL FORE/AFT)	

MAIN HYDRAULIC PUMP
HP9204 -UN-25OCT99



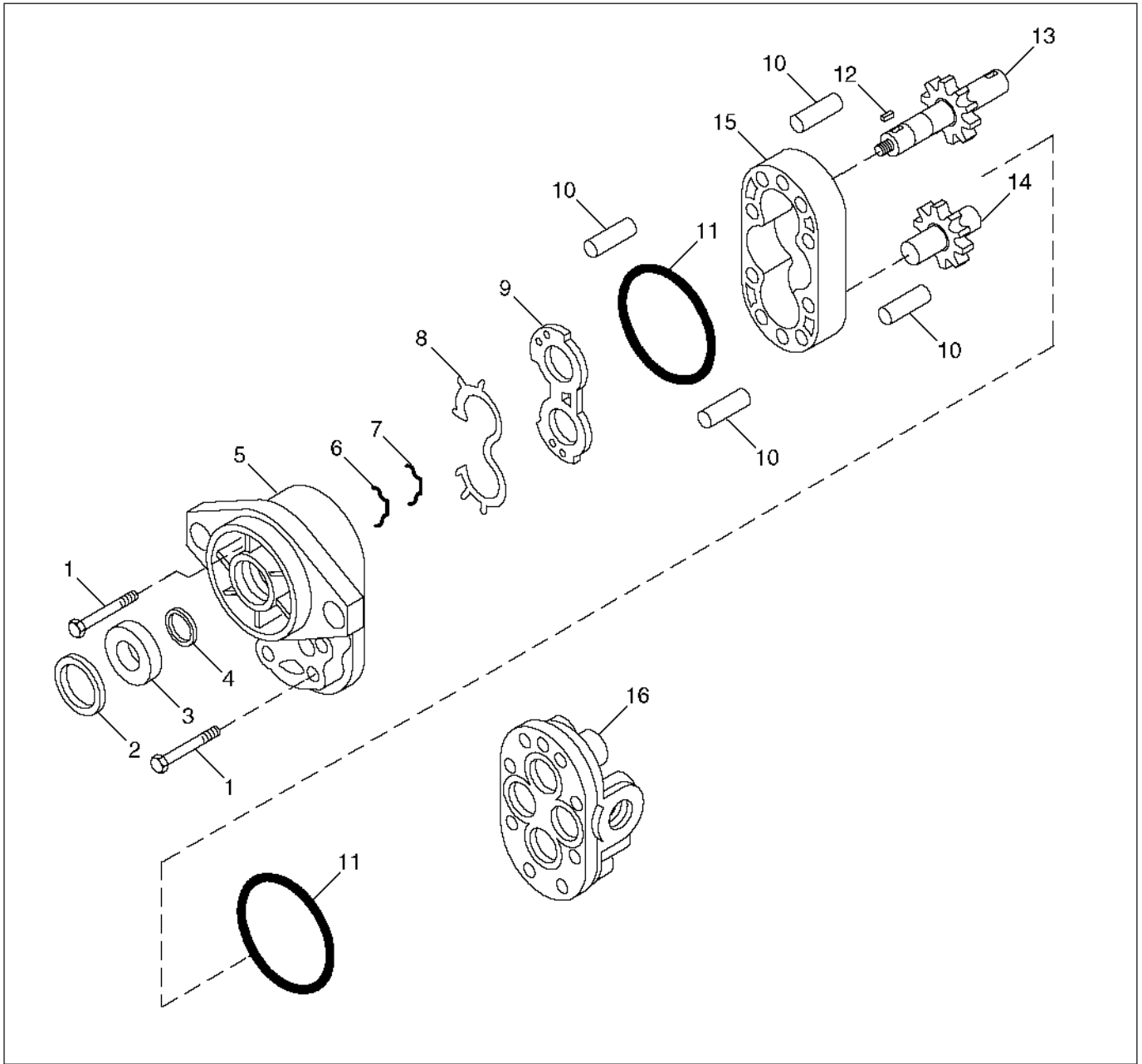
HP9204

MAIN HYDRAULIC PUMP - CONTINUED

KEY	PART NO.	PART NAME	QTY	SERIAL NO.	REMARKS
1	GG310-30411 H135569	SCREW CAP SCREW	8 8		7.925 X 133.350 MM (5/16" X 5-1/4") (PLANETARY FINAL DRIVE)
2A	H131121	GASKET	1	-675952	
2B	E65288	O-RING	1	675953-	
3	PLATE	1		
4	19H1732 12H304	CAP SCREW LOCK WASHER	2 2		3/8" X 1-1/4" 3/8"
5	SEAL	2		(A)
6	GASKET	2		(A)
7	GASKET	2		(A)
8	WEAR PLATE	2		(A)
9	H116213	DOWEL PIN	8		
10	H80821	O-RING	4		(A) 75.921 X 1.778 MM (2.989" X 0.070")
11	PARALLEL SHAFT GEAR DRIVE	1		
12	H125929 H135566	SHAFT KEY KEY	1 1		(PLANETARY FINAL DRIVE)
13	GEAR	1		
14	HOUSING	1		
15	LINK BODY	1		
16	GEAR	1		
17	GEAR	1		
18	PLATE	1		
19	PLATE	1		
20	R26448	O-RING	1		(A) 11.887 X 1.981 MM (0.468" X 5/64")
21	AH125760	HYD. QUICK-CONNECT COUPLER	1		
22	R77175	COVER	1		
23	M48869	WASHER	2		(A) 19.215 X 25.337 X 0.813 MM (0.757" X 0.998" X 0.032")
24	PLATE	1		(A)
25	SEAL	1		(A)
26	AH131183 AH131175	HYDRAULIC PUMP HYDRAULIC PUMP	1 1		(CESSNA NO. R25381 - RAH)- REMANUFACTURED (CESSNA NO. R25382- RAN) REMANUFACTURED (PLANETARY FINAL DRIVE)
27	SEAL	1		(A)
..	AH162145	SEAL KIT	1		(SUB FOR AH131181) INCLUDES PARTS MARKED (A)

2J1

REEL / BELT PICKUP DRIVE PUMP
HP8488 -UN-20APR99



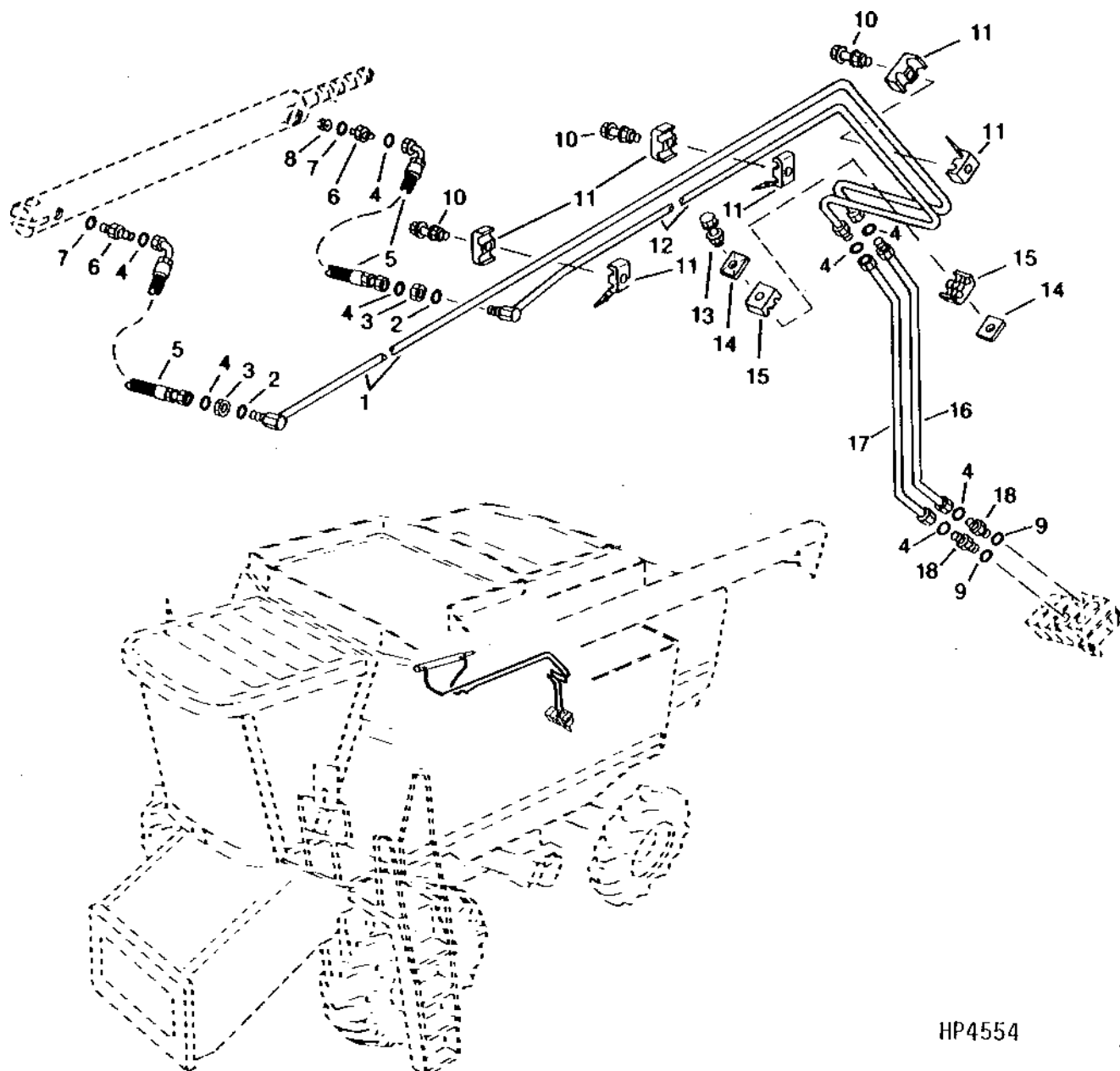
HP8488

REEL / BELT PICKUP DRIVE PUMP - CONTINUED

KEY	PART NO.	PART NAME	QTY	SERIAL NO.	REMARKS
1	E61791	BOLT	8		
2	M41029	SNAP RING	1		7.925 X 69.850 MM (5/16" X 2-3/4")
3	AH131842	SEAL	1		(KIT AH131176)
4	M48869	WASHER	1		
5	PLATE	1		19.215 X 25.337 X 0.813 MM (0.757" X 0.998" X 0.032") (KIT AH131176)
6	SEAL	1		(SUB AH131178)
7	GASKET	1		(KIT AH131176)
8	GASKET	1		(KIT AH131176)
9	WEAR PLATE	1		(KIT AH131176)
10	H116213	DOWEL PIN	4		
11	H80821	O-RING	2		75.921 X 1.778 MM (2.989" X 0.070")
12	N34986	SHAFT KEY	1		
13	AH131304	SHAFT	1		
14	GEAR	1		(SUB AH131178)
15	HOUSING	1		(SUB AH131178)
16	PLATE	1		(SUB AH131178)
17	AH131178	HYDRAULIC PUMP	1		(CESSNA NO. R25305-RAK) - REMANUFACTURED
..	AH131176	SEAL KIT	1		

UNLOADING AUGER SWING CYLINDER LINES AND HOSES

HP4554 -UN-01JAN94



HP4554

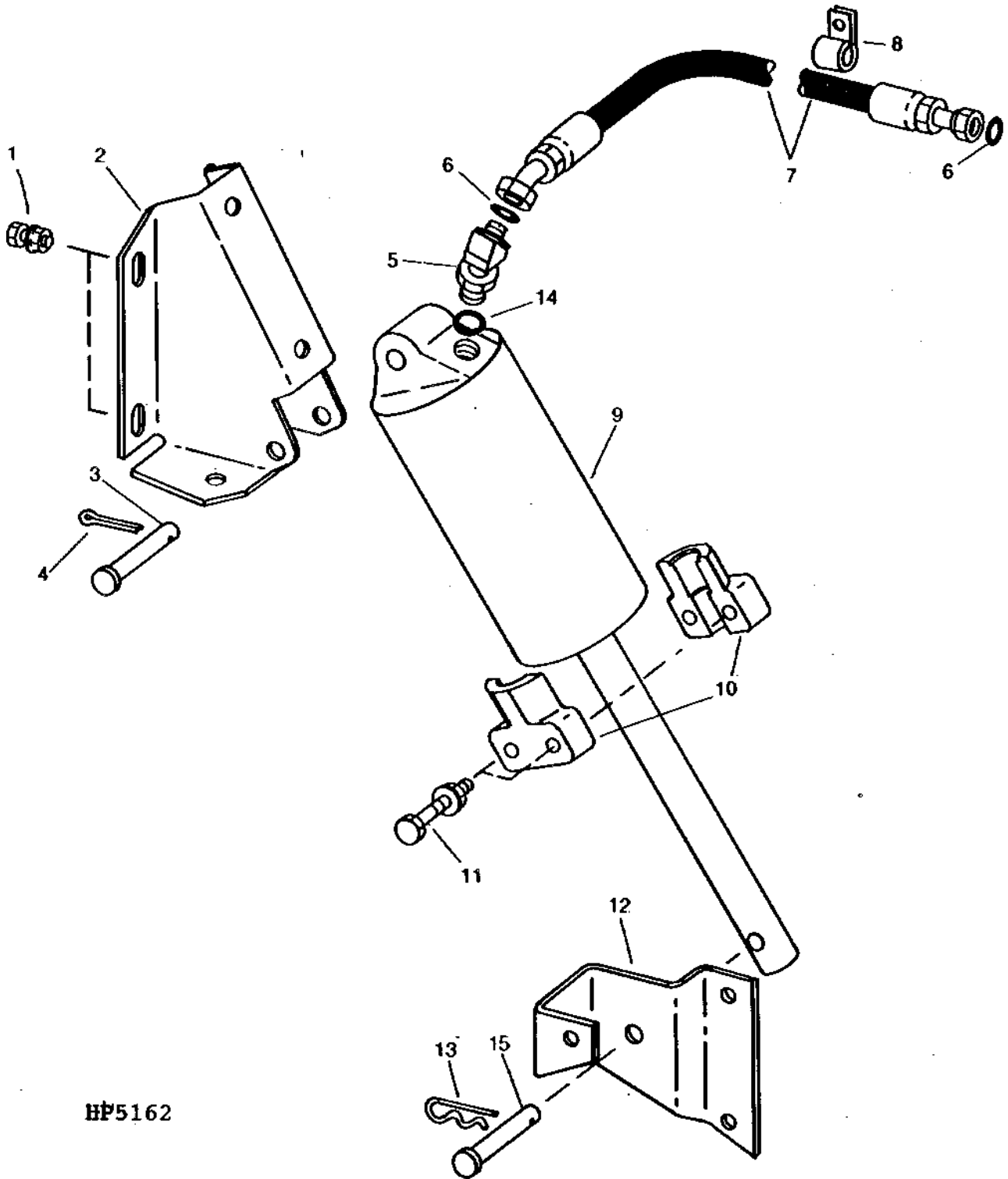
UNLOADING AUGER SWING CYLINDER LINES AND HOSES - CONTINUED

KEY	PART NO.	PART NAME	QTY	SERIAL NO.	REMARKS
1	AH128641	HYDRAULIC LINE	1		(EXTEND)
2	24M7114	WASHER	2		19 X 30 X 4 MM
3	T81029	NUT	2		17.475 MM (11/16")
4	T77613	O-RING	8		9.246 X 1.778 MM (0.364" X 0.070")
5	AH130581	HYDRAULIC HOSE	2		11/16" X 780 MM (30-3/4") X 11/16"
6	38H1160	ADAPTER	2		
7	R26448	O-RING	2		11.887 X 1.981 MM (0.468" X 5/64")
8	H133470	ORIFICE	1		
9	R26375	O-RING	2		16.358 X 2.210 MM (0.644" X 0.087")
10	19M7868	SCREW	3		M8 X 30
	14M7298	FLANGE NUT	3		M8
11	H108745	CLAMP	3		
12	AH128642	HYDRAULIC LINE	1		(RETRACT)
13	19M8291	SCREW	1		M8 X 35
	14M7298	FLANGE NUT	1		M8
14	H121163	COVER	2		
15	H128515	CLAMP	2		
16	AH128855	HYDRAULIC LINE	1		(EXTEND)
17	AH128854	HYDRAULIC LINE	1		(RETRACT)
18	38H1171	ADAPTER	2		

2J5

GRAIN TANK UNLOADING DRIVE CYLINDER WITH MOUNTING AND HOSE

HP5162 -UN-01JAN94



HP5162

2J6

HYDRAULICS

GRAIN TANK UNLOADING DRIVE CYLINDER WITH MOUNTING AND HOSE - CONTINUED

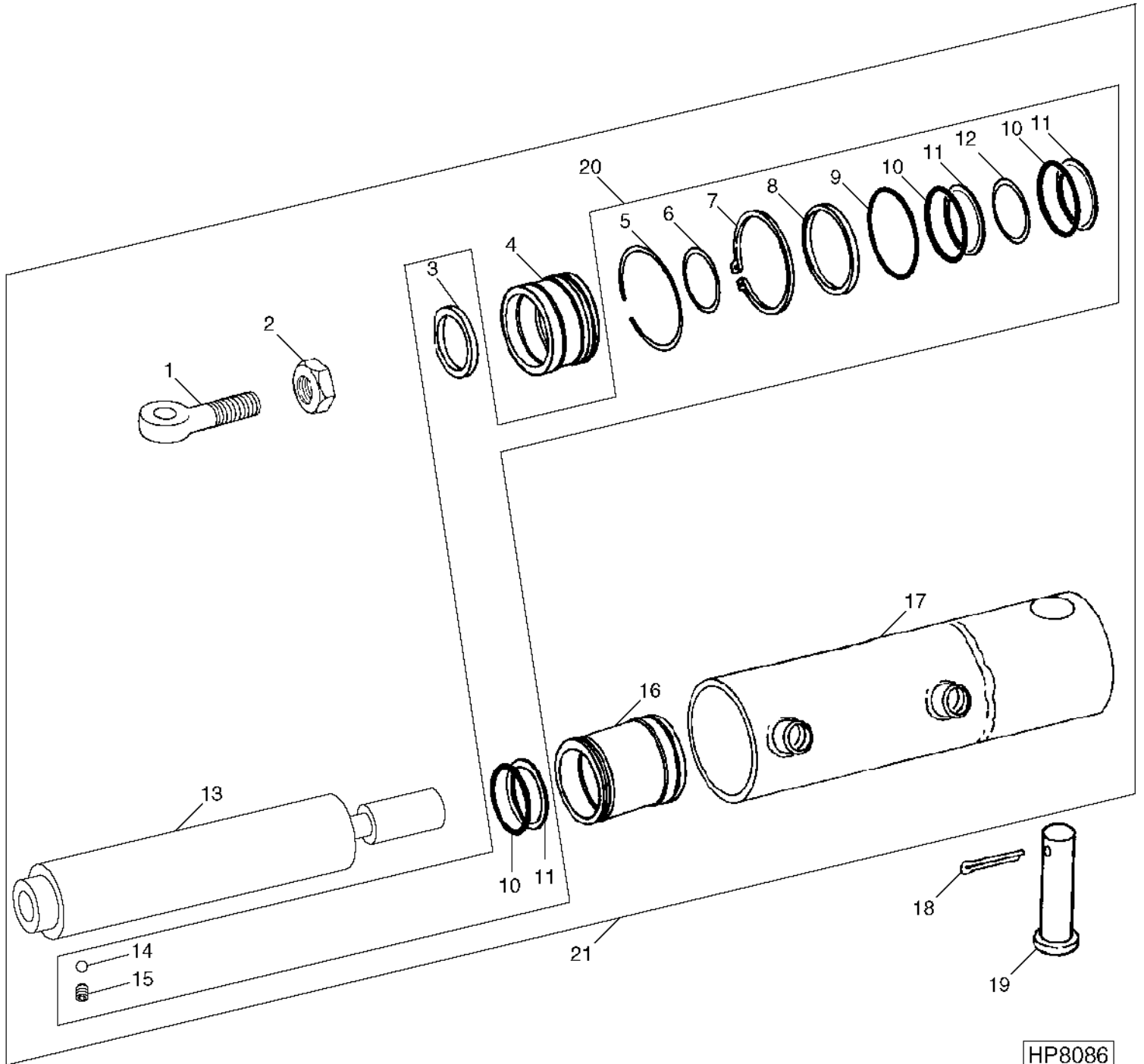
KEY	PART NO.	PART NAME	QTY	SERIAL NO.	REMARKS
1	19M7866	SCREW	4	M8 X 20	
	14M7298	FLANGE NUT	4	M8	
2	H129588	BRACKET	1		
3	H148340	PIN	1		
4	11M7059	COTTER PIN	1	3.200 X 20 MM	
5	38H1045	ELBOW FITTING	1		
6	T77613	O-RING	2	9.246 X 1.778 MM (0.364" X 0.070")	
7	AH120160	HYDRAULIC HOSE	1	11/16" X 1 050 MM (41-1/4") X 11/16"	
8	AH96317	CLIP	1		
9	AH116006	HYDRAULIC CYLINDER	1		
10	H133688	STOP	2		
11	19M8319	SCREW	2	M8 X 50	
	14M7298	FLANGE NUT	2	M8	
12	H133690	BRACKET	1		
13	J16931	SPRING LOCKING PIN	1		
14	R26448	O-RING	1	11.887 X 1.981 MM (0.468" X 5/64")	
15	H148340	PIN	1		

2J7

HYDRAULICS

UNLOADING AUGER SWING CYLINDER AND MOUNTING

HP8086 -UN-11JAN99



HP8086

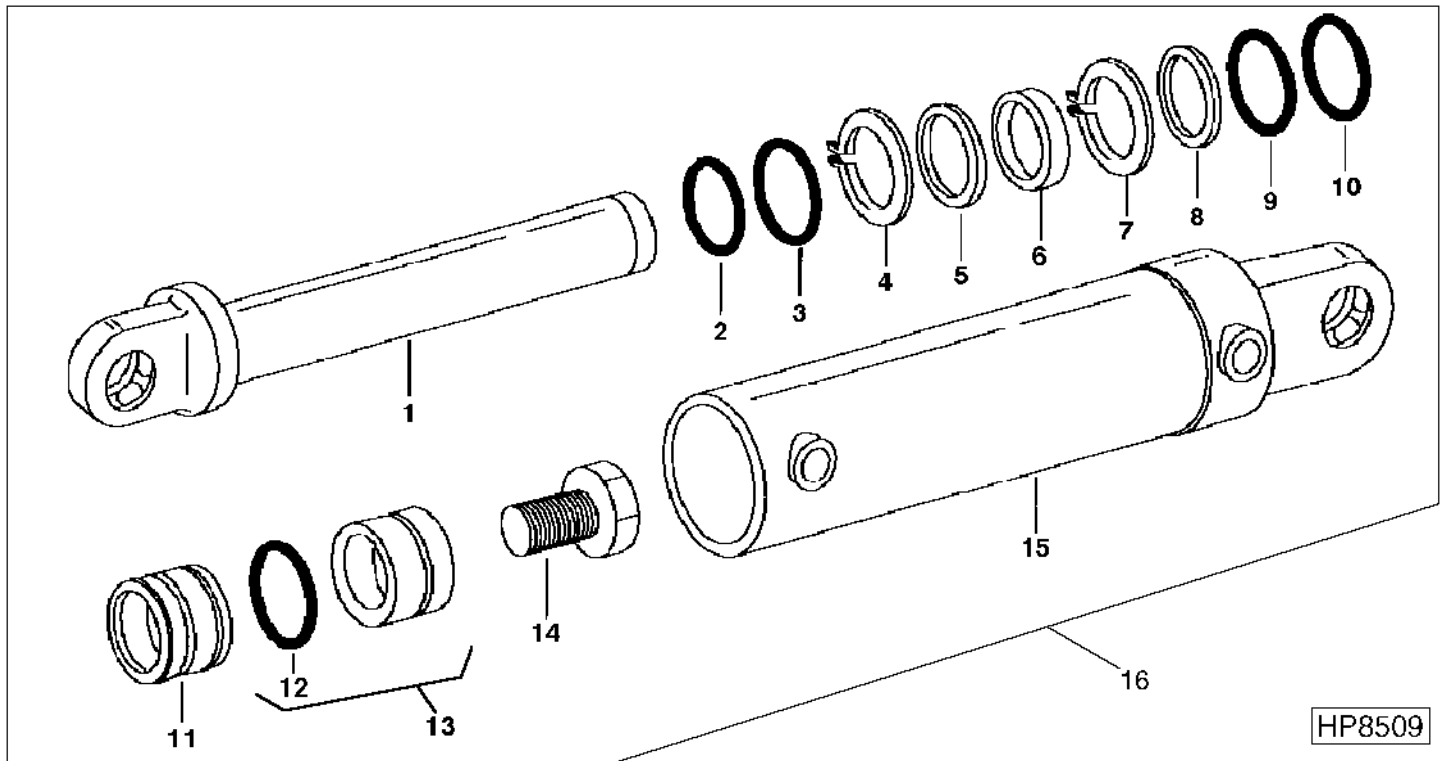
UNLOADING AUGER SWING CYLINDER AND MOUNTING - CONTINUED

KEY	PART NO.	PART NAME	QTY	SERIAL NO.	REMARKS
1	H150926	EYEBOLT	1		
2	14H904	NUT	1		
3	SEAL	1		19.050 MM (3/4")
4	BEARING	1		
5	SNAP RING	1		
6	SEAL	1		
7	RING	1		
8	WASHER	1		
9	O-RING	1		
10	O-RING	1		
11	RING	1		
12	O-RING	1		
13	H150920	ROD	1		
14	L36230	BALL	1		4.500 MM (0.177")
15	22H897	SET SCREW	1		6.350 X 6.350 MM (1/4" X 1/4")
16	PISTON	1		
17	HYDRAULIC CYLINDER BARREL	1		
18	11H218	COTTER PIN	1		
19	R56930	PIN	1		
20	AH146043	KIT	1		
21	AH145030	HYDRAULIC CYLINDER	1		

2J9

HYDRAULICS

TILT CYLINDER - CONTOUR MASTER
 HP8509 -UN-21APR99



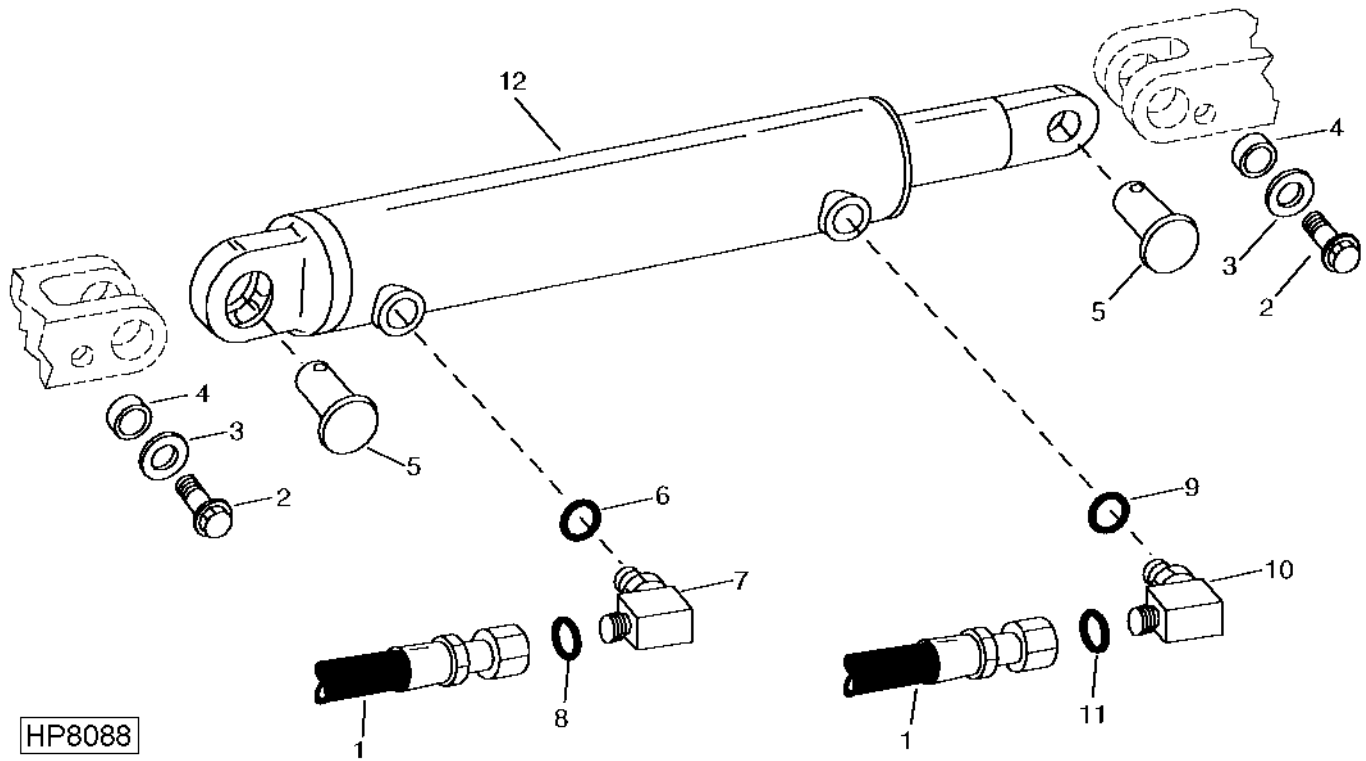
KEY	PART NO.	PART NAME	QTY	SERIAL NO.	REMARKS
1	AH144482	ROD	1		
2	P45750	O-RING	1		
	T22828	O-RING	1	(A)	
3	H150411	SEAL	1	(A)	
4	R90565	SNAP RING	1		
5	H169509	BACK-UP RING	1	(A)	
6	H150412	SEAL	1	(A)	
7	R82571	SNAP RING	1		
8	H151629	WEAR RING	1	(A)	
9	R79117	WASHER	1	(A)	
10	H158942	O-RING	1	(A)	
11	H151694	HYDR. CYLINDER ROD GUIDE	1		
12	H144342	PISTON RING	1	(A)	
13	AH138200	PISTON	1		
14	19H2672	CAP SCREW	1		15.875 X 50.800 MM (5/8" X 2")
15	AH144480	HYDRAULIC CYLINDER BARREL	1		
16	AH143322	HYDRAULIC CYLINDER	1		
..	AH167553	HYDRAULIC CYLINDER KIT	1		INCLUDES PARTS MARKED (A)

2J10

HYDRAULICS

TILT CYLINDER HOSES AND FITTINGS - CONTOUR MASTER

HP8088 -UN-15DEC98

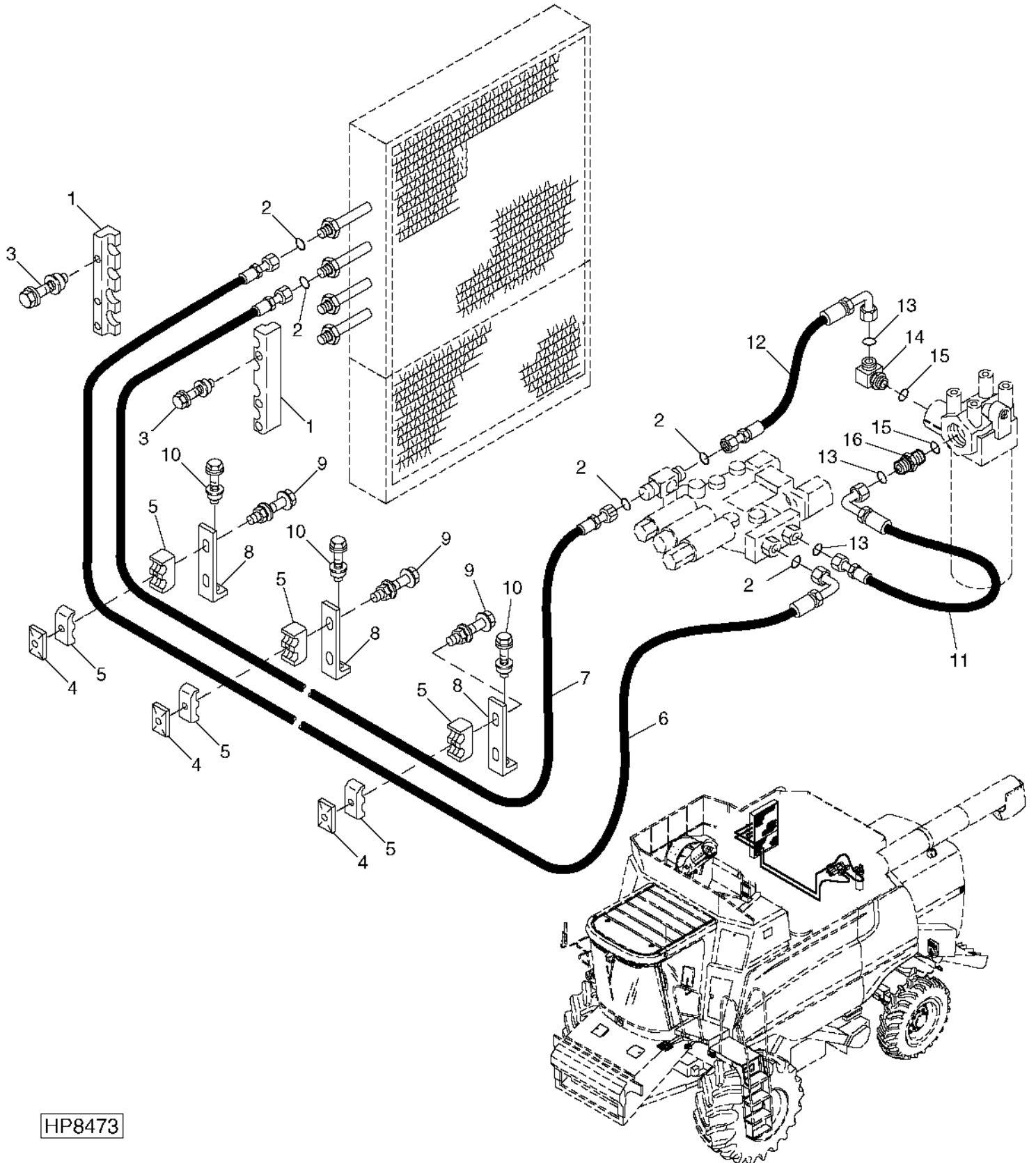


KEY	PART NO.	PART NAME	QTY	SERIAL NO.	REMARKS
1	AH143682	HYDRAULIC HOSE	2		
2	19M7866	SCREW	2	M8 X 20	
3	24H1291	WASHER	2	8.331 X 37.313 X 2.769 MM	
4	28H1511	WASHER	2	9.246 X 13.716 X 6.350 MM	
5	R56930	PIN	2	18.948 X 69.850 MM	
6	R28782	O-RING	1	8.915 X 1.829 MM	
7	38H1003	ELBOW FITTING	1		
8	T77814	O-RING	1	7.645 X 1.778 MM	
9	R26448	O-RING	1	11.887 X 1.981 MM	
10	38H1004	ELBOW FITTING	1		
11	T77613	O-RING	1	9.246 X 1.778 MM (0.364" X 0.070")	
12	AH143322	HYDRAULIC CYLINDER	1		ALSO NEED (1) R28782 O-RING AND (1)38H1003 ELBOW FITTING FOR MACHINES PRIOR TO -660314

2J11

HYDRAULICS

WET CLUTCH OIL COOLER LINES AND HOSES
HP8473 -UN-21APR99



HP8473

2J12

HYDRAULICS

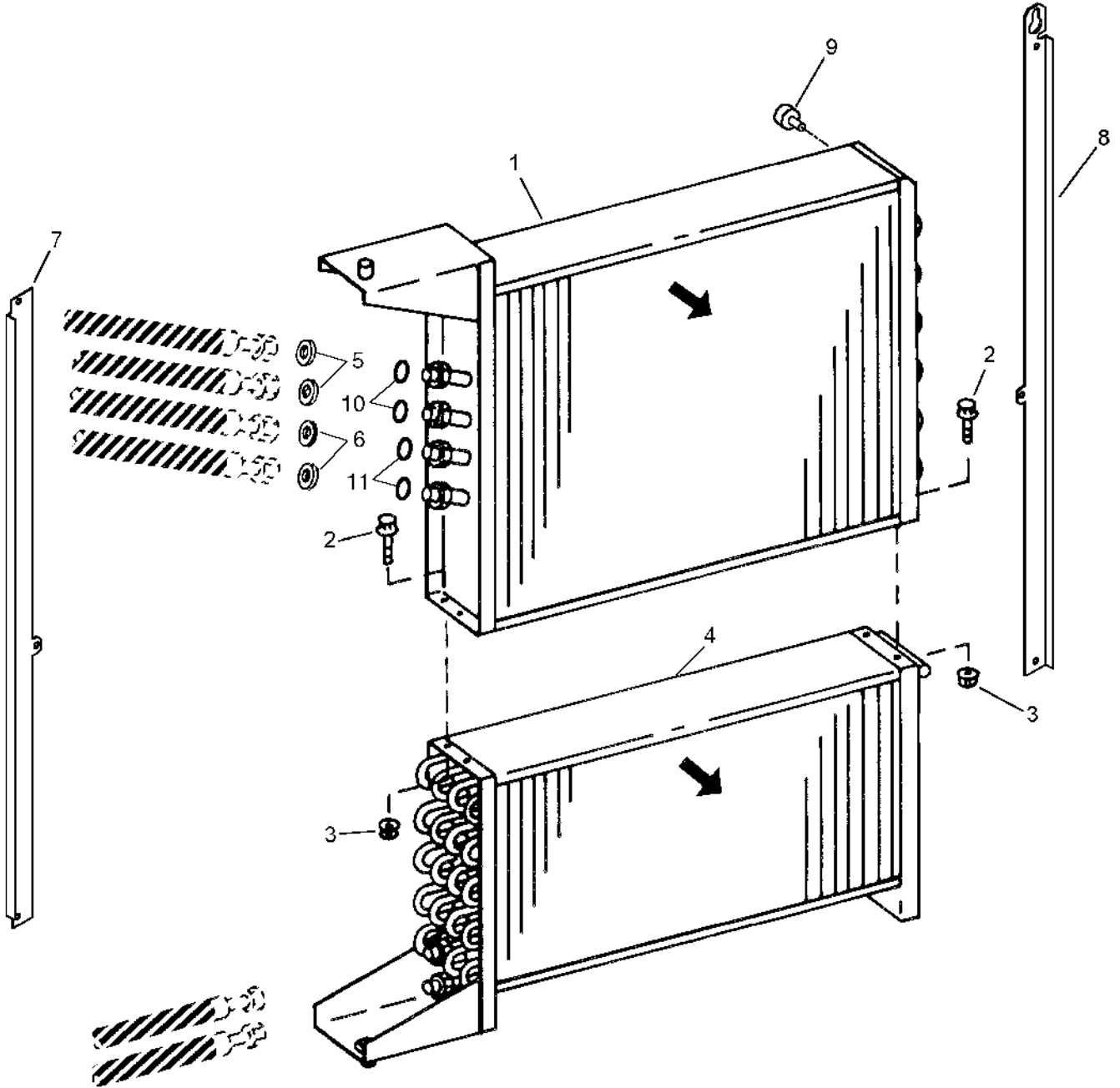
WET CLUTCH OIL COOLER LINES AND HOSES - CONTINUED

KEY	PART NO.	PART NAME	QTY	SERIAL NO.	REMARKS
1	H151585	CLAMP	2		
2	T77932	O-RING	5		15.596 X 1.778 MM (0.614" X 0.070")
3	19M8317	SCREW	6		M8 X 40
	14M7298	FLANGE NUT	3		M8
4	H112567	PLATE	3		
5	H150983	CLAMP	6		
6	AH145239	HYDRAULIC HOSE	1		
7	AH145241	HYDRAULIC HOSE	1		
8	H150980	BRACKET	3		
9	19M7979	SCREW	3		M8 X 55
	14M7298	FLANGE NUT	3		M8
10	19M7866	SCREW	3		M8 X 20
	14M7298	FLANGE NUT	3		M8
11	AH128780	HYDRAULIC HOSE	1		13/16" X 725 MM (28-1/2") X 13/16"
12	AH128779	HYDRAULIC HOSE	1		1" X 275 MM (10-3/4") X 13/16"
13	T77857	O-RING	3		12.421 X 1.778 MM (0.489" X 0.070")
14	38H1013	ELBOW FITTING	1		
15	U12547	O-RING	2		23.470 X 2.946 MM (0.924" X 0.116")
16	38H1175	ADAPTER	1		

2J13

HYDRAULICS

OIL COOLER AND A/C CONDENSER
HP8312 -UN-05MAR99



HP8312

2J14

HYDRAULICS

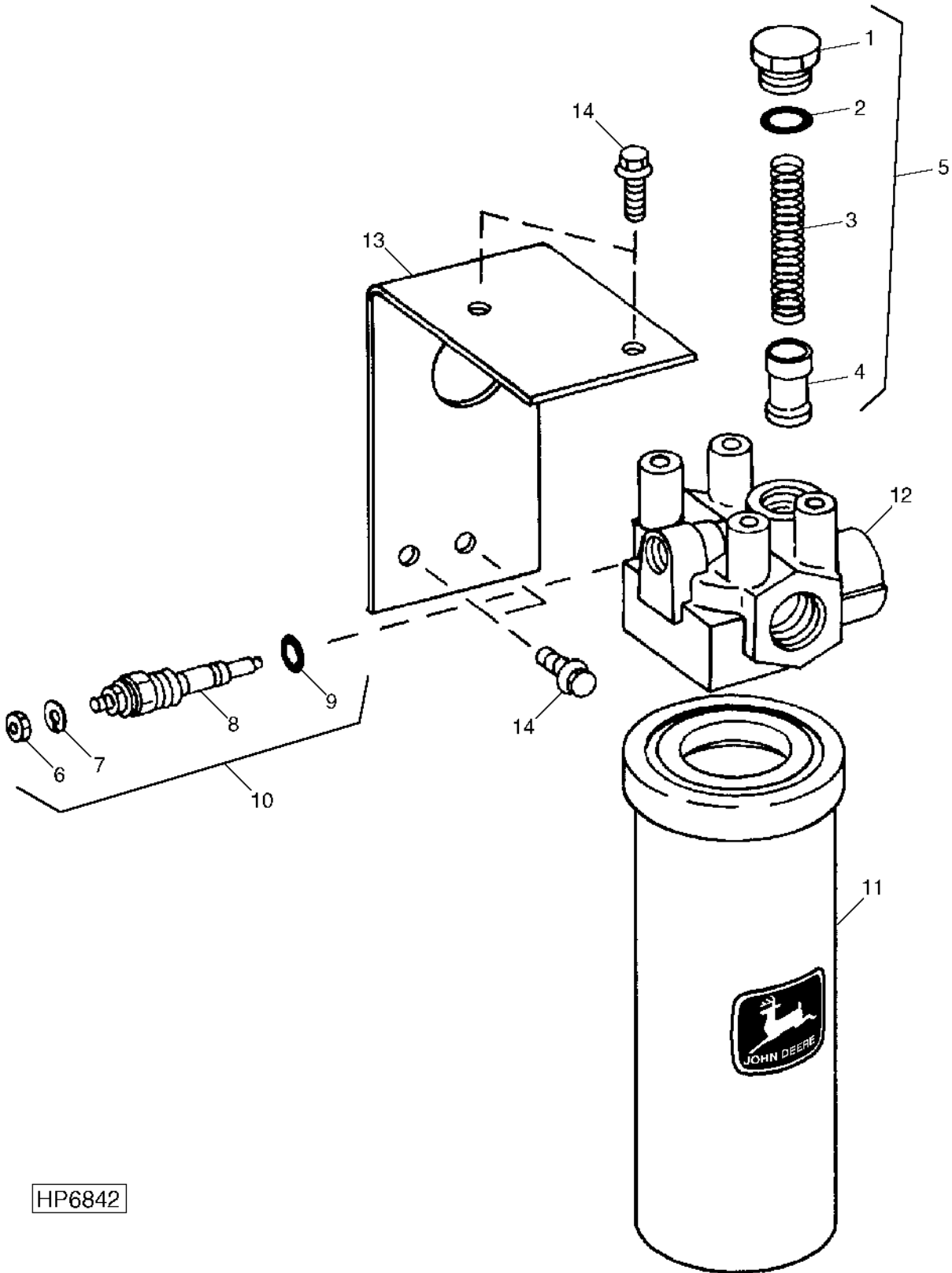
OIL COOLER AND A/C CONDENSER - CONTINUED

KEY	PART NO.	PART NAME	QTY	SERIAL NO.	REMARKS
1	AH149588	OIL COOLER	1		(SUB FOR AH145232)
2	19M7774	SCREW	4		M6 X 12
	19M7774	SCREW	3		M6 X 12, (LEAVE FRONT L.H. HOLE EMPTY)
3	14M7303	FLANGE NUT	4		M6
4	AH149618	VAPOR CONDENSER	1		(SUB FOR AH140471)
5	24H1534	WASHER	2		1-17/32" X 2-1/16" X 0.060"
6	24H1462	WASHER	2		1-1/16" X 1-1/2" X 0.060"
7	H162584	BRACKET	1		R.H.
8	H162585	BRACKET	1		L.H.
9	H158596	STOP	1	675464-	
10	T77932	O-RING	2	680411-	
11	T77858	O-RING	2	680411-	

2J15

HYDRAULICS

ENGINE GEARCASE OIL FILTER ASSEMBLY
HP6842 -UN-27JUL99



HP6842

2J16

HYDRAULICS

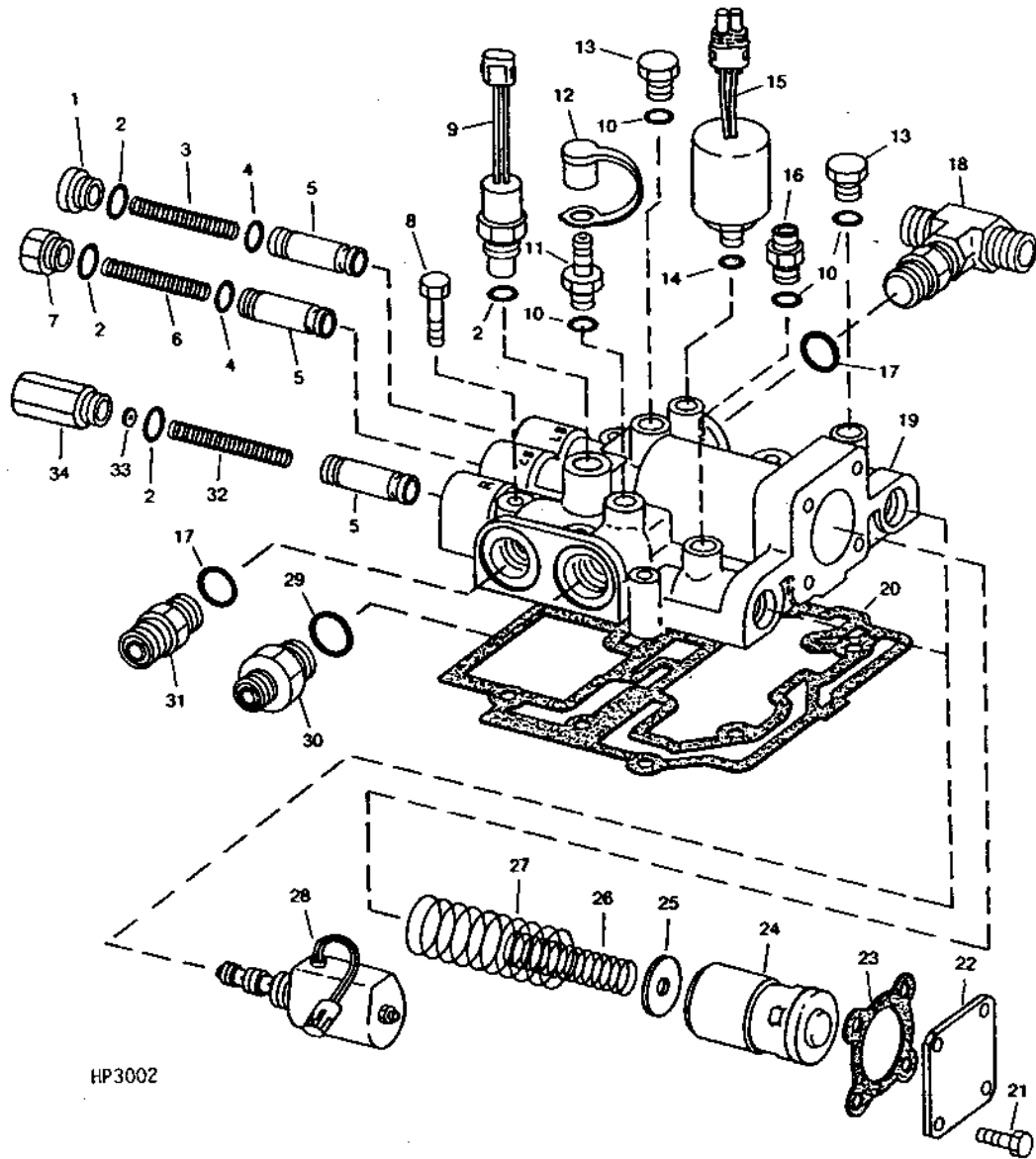
ENGINE GEARCASE OIL FILTER ASSEMBLY - CONTINUED

KEY	PART NO.	PART NAME	QTY	SERIAL NO.	REMARKS
1	PLUG	1		
2	R26906	O-RING	1		19.177 X 2.464 MM (0.755" X 0.097")
3	SPRING	1		
4	PISTON	1		
5	AH128451	VALVE	1		
6	14H631	NUT	1		0.190"
7	12H295	LOCK WASHER	1		0.190"
8	SENDER	1		
9	R26448	O-RING	1		11.887 X 1.981 MM (0.468" X 5/64")
10	AH128450	TOUCH SWITCH	1		
11	AH128449	HYDRAULIC FILTER	1		(USE WITH AH139434)
12	AH139434	HYDRAULIC FILTER	1		(USE WITH AH128449)
13	H133675	BRACKET	1		
14	19M7784	SCREW	4		M10 X 20

2J17

HYDRAULICS

ENGINE GEARCASE PRESSURE REGULATOR HP3002 -UN-10OCT88



HP3002

2J18

HYDRAULICS

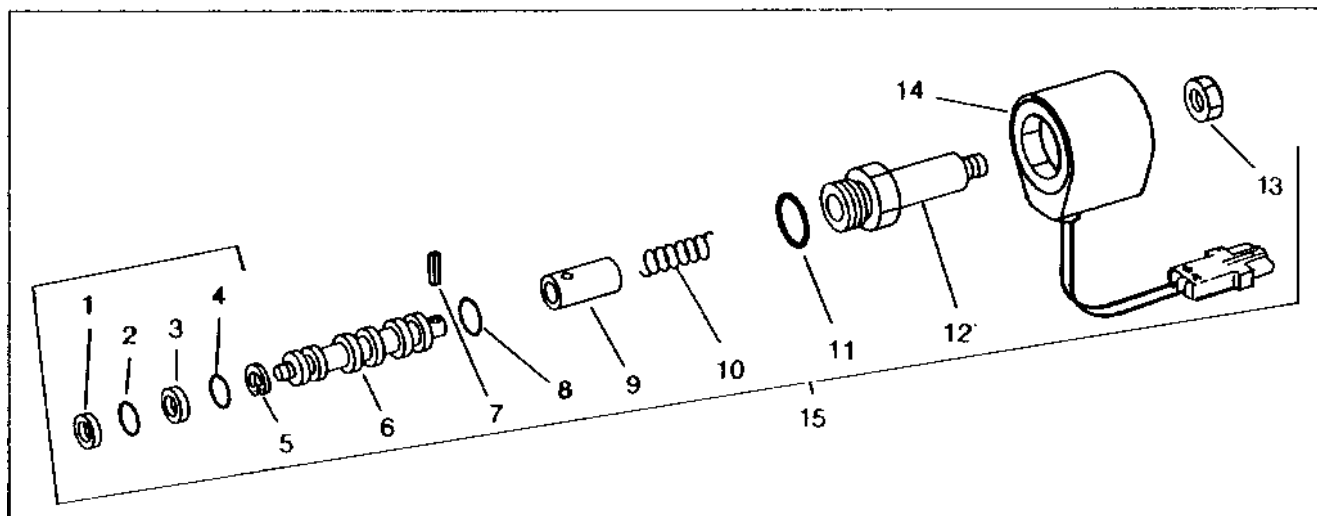
ENGINE GEARCASE PRESSURE REGULATOR - CONTINUED

KEY	PART NO.	PART NAME	QTY	SERIAL NO.	REMARKS
1	R33138	FITTING	1		
2	R26375	O-RING	4		16.358 X 2.210 MM (0.644" X 0.087")
3	H89241	SPRING	1		
4	R28776	O-RING	2		12.421 X 1.778 MM (0.489" X 0.070")
5	R63980	VALVE	3		
6	R56782	SPRING	1		
7	H126026	FITTING	1		
8	19M7979	SCREW	7		M8 X 55
9	AH116105	SWITCH	1		TEMPERATURE
	R78059	ELECTRICAL PLUG	1		(PKG OF 40)
10	R26448	O-RING	4		11.887 X 1.981 MM (0.468" X 5/64")
11	AH125760	HYD. QUICK-CONNECT COUPLER	1		
12	R77175	COVER	1		
13	R27218	FITTING PLUG	2		
14	R28782	O-RING	1		8.915 X 1.829 MM (0.351" X 0.072")
15	AH135744	SWITCH	1		PRESSURE
	RE12363	CONNECTOR	1		
	R78063	TERMINAL NIPPLE	1		
	R78060	SOCKET CONTACT	1		
16	38H1160	ADAPTER	1		
17	R26906	O-RING	2		19.177 X 2.464 MM (0.755" X 0.097")
18	38H1018	TEE FITTING	1		
19	H132970	HOUSING	1		
20	H129328	GASKET	1		
21	19M7867	SCREW	4		M8 X 25
22	H118906	COVER	1		
23	H129765	GASKET	1		
24	T77514	PISTON	1		
25	24M7101	WASHER	1		11 X 34 X 3 MM
26	R47449	SPRING	1		
27	T45132	SPRING	1		
28	AH128655	SOLENOID VALVE	2		
29	U12547	O-RING	1		23.470 X 2.946 MM (0.924" X 0.116")
30	38H1175	ADAPTER	1		
31	38H1162	ADAPTER	1		
32	T60314	SPRING	1		
33	R33521	SHIM	AR		
34	H126028	FITTING	1		
..	AH128785	SHUT-OFF VALVE	1		(COMPLETE) DOES NOT INCLUDE KEYS 8 AND 20

2J19

SOLENOID CONTROL VALVE FOR ENGINE GEARCASE PRESSURE REGULATOR

HP2880 -UN-01JAN94



HP2880

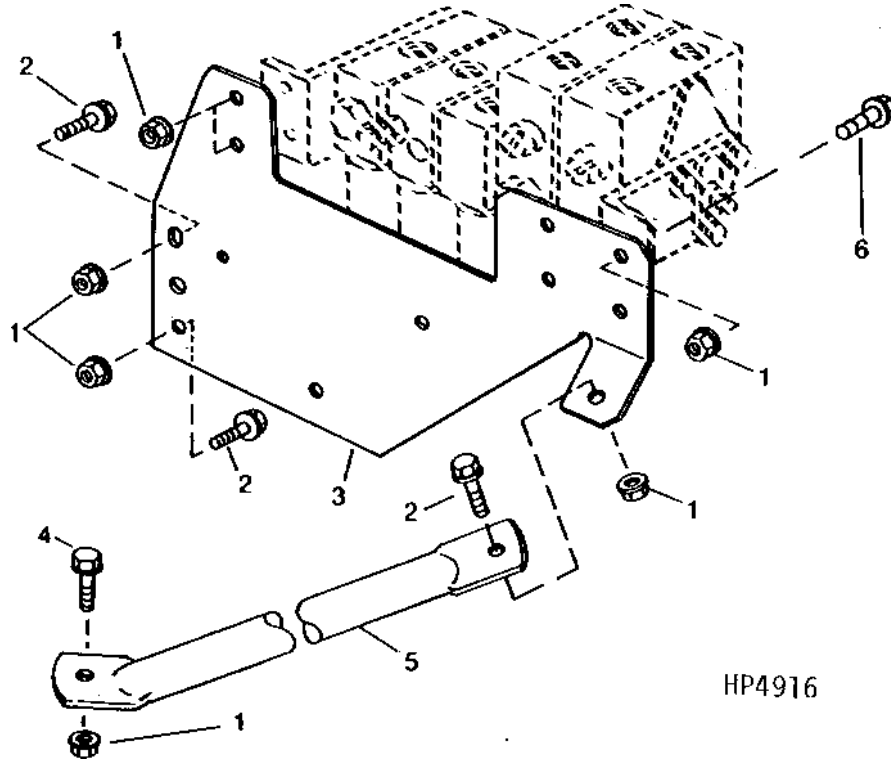
16

KEY	PART NO.	PART NAME	QTY	SERIAL NO.	REMARKS
1	R42926	BACK-UP RING	1		
2	T77857	O-RING	1	12.421 X 1.778 MM (0.489" X 0.070")	
3	R45187	BACK-UP RING	1		
4	R45638	O-RING	1	15.596 X 1.778 MM (0.614" X 0.070")	
5	R46701	SNAP RING	1		
6	VALVE SPOOL	1	(KIT AH128655 OR AH130949)	
7	34H227	SPRING PIN	1	3/32" X 1/2"	
8	N31772	O-RING	1	18.771 X 1.778 MM (0.739" X 0.070")	
9	PLUNGER	1	(KIT AH128655 OR AH130949)	
10	R64698	SPRING	1		
11	U12547	O-RING	1	23.470 X 2.946 MM (0.924" X 0.116")	
12	GUIDE	1	(KIT AH128655 OR AH130949)	
13	M63707	LOCK NUT	1		
14	AH128654	ELECTRICAL COIL	1		
	R78053	PIN CONTACT CONNECTOR BODY	1	(PKG OF 3)	
	R78059	ELECTRICAL PLUG	1	(PKG OF 40)	
	R78061	PIN CONTACT	1	(PKG OF 40)	
15	AH130949	SOLENOID VALVE	1		
16	AH128655	SOLENOID VALVE	1		

2J20

HYDRAULICS

SOLENOID CONTROL VALVE BRACKETS
HP4916 -UN-01JAN94



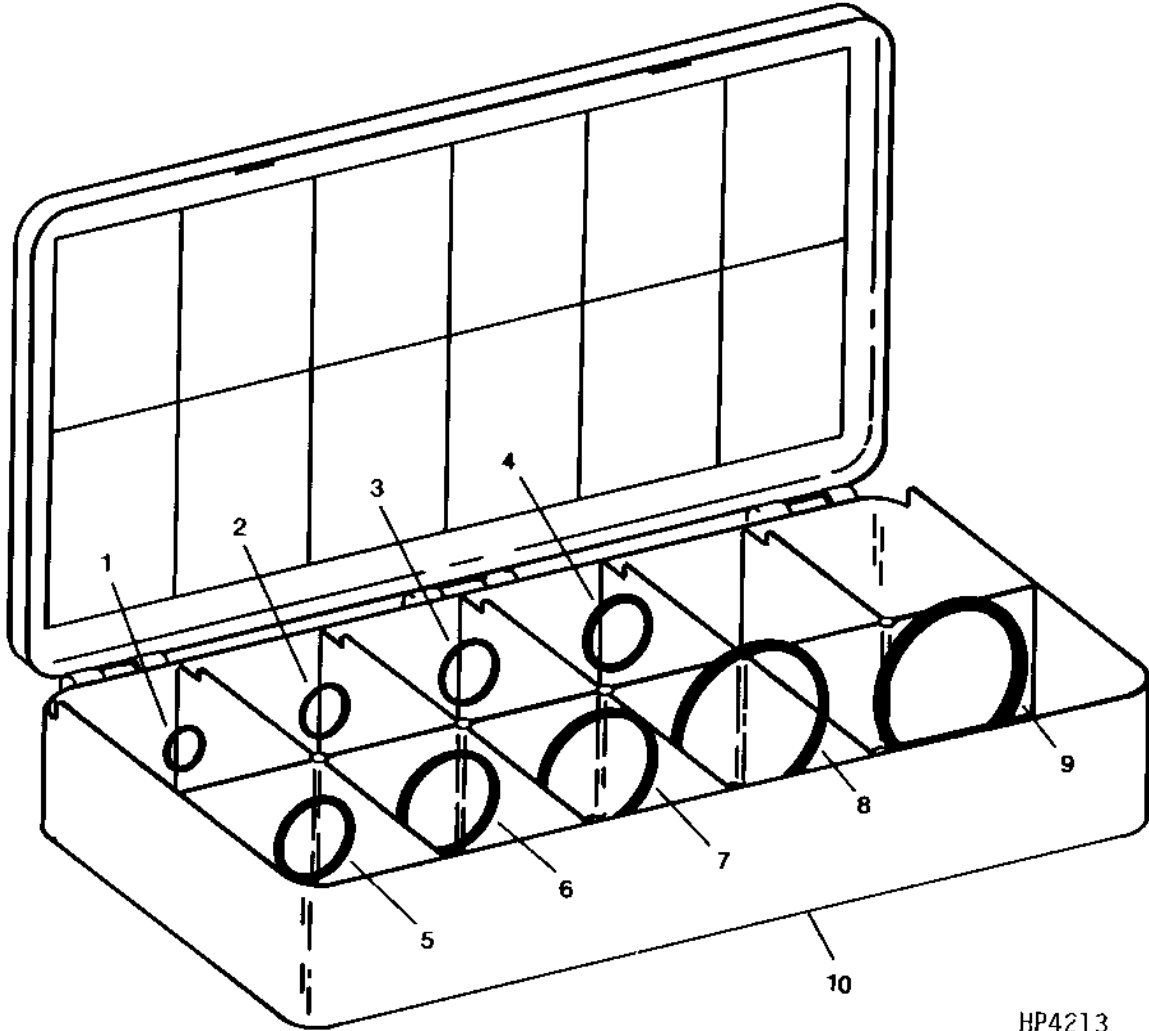
HP4916

KEY	PART NO.	PART NAME	QTY	SERIAL NO.	REMARKS
1	14M7298	FLANGE NUT	8	M8	
2	19M7866	SCREW	3	M8 X 20	
3	H166148	BRACKET	1	(SUB H159291)	
4	19M7803	SCREW	1	M8 X 70	
5	H158638	BRACE	1		
6	19M7897	SCREW	4	M8 X 35	

2J21

HYDRAULICS

HYDRAULIC FLAT O-RING KIT
HP4213 -UN-01JAN94



HP4213

2J22

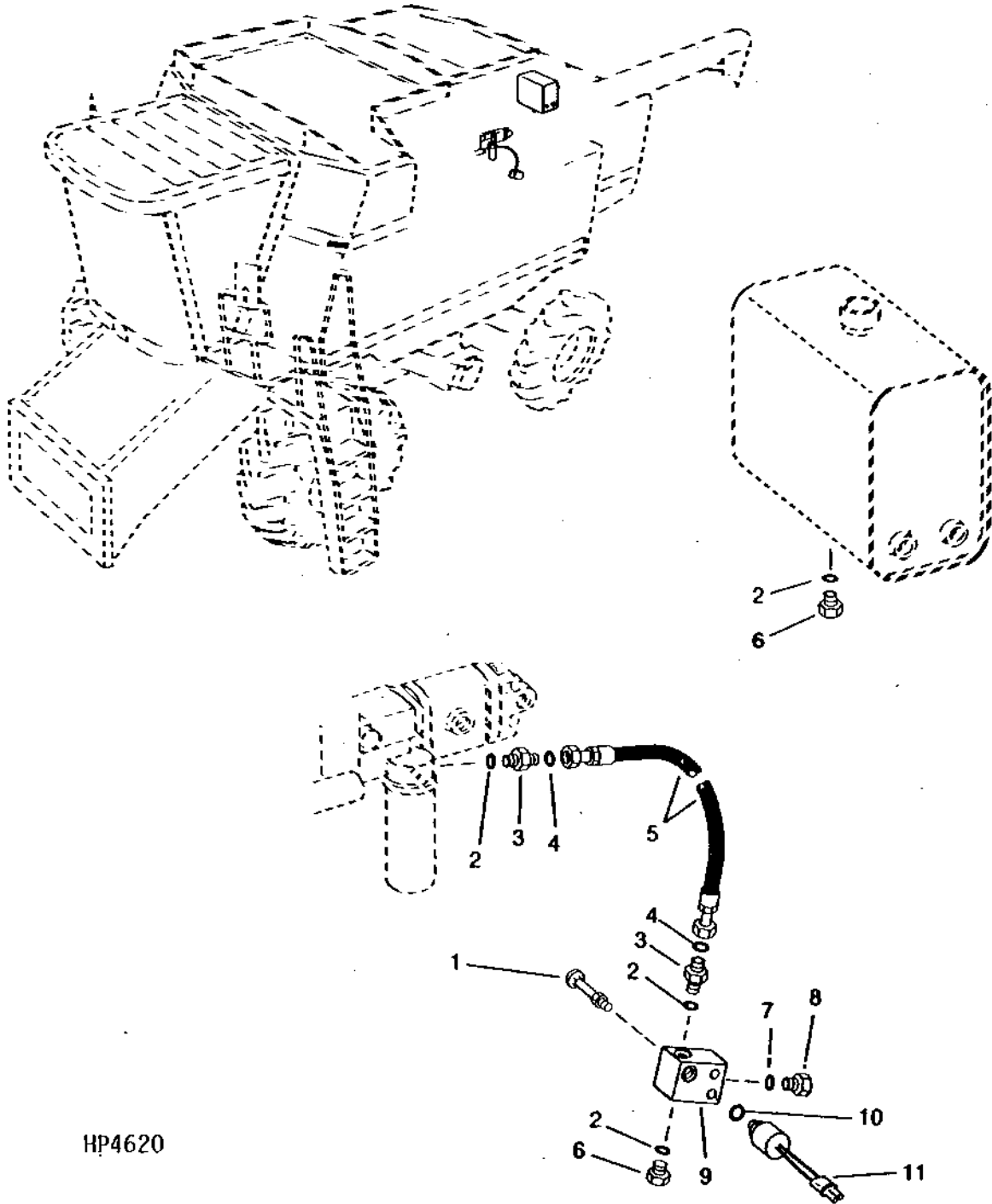
HYDRAULICS

HYDRAULIC FLAT O-RING KIT - CONTINUED

KEY	PART NO.	PART NAME	QTY	SERIAL NO.	REMARKS
1	T77814	O-RING	10		7.645 X 1.778 MM (0.301" X 0.070") SIZE -4
2	T77613	O-RING	12		9.246 X 1.778 MM (0.364" X 0.070") SIZE -6
3	T77857	O-RING	12		12.421 X 1.778 MM (0.489" X 0.070") SIZE -8
4	T77932	O-RING	12		15.596 X 1.778 MM (0.614" X 0.070") SIZE -10
5	T77858	O-RING	12		18.771 X 1.778 MM (0.739" X 0.070") SIZE -12
6	T76938	O-RING	12		23.520 X 1.778 MM (0.926" X 0.070") SIZE -16
7	T78612	O-RING	5		29.870 X 1.778 MM (1.176" X 0.070") SIZE -20
8	T78784	O-RING	5		37.821 X 1.778 MM (1.489" X 0.070") SIZE -24
9	T78313	O-RING	6		32.918 X 3.531 MM (1.296" X 0.139")
10	AT85197	O-RING KIT	1		

2J23

CHARGE PRESSURE HOSE
HP4620 -UN-01JAN94



HP4620

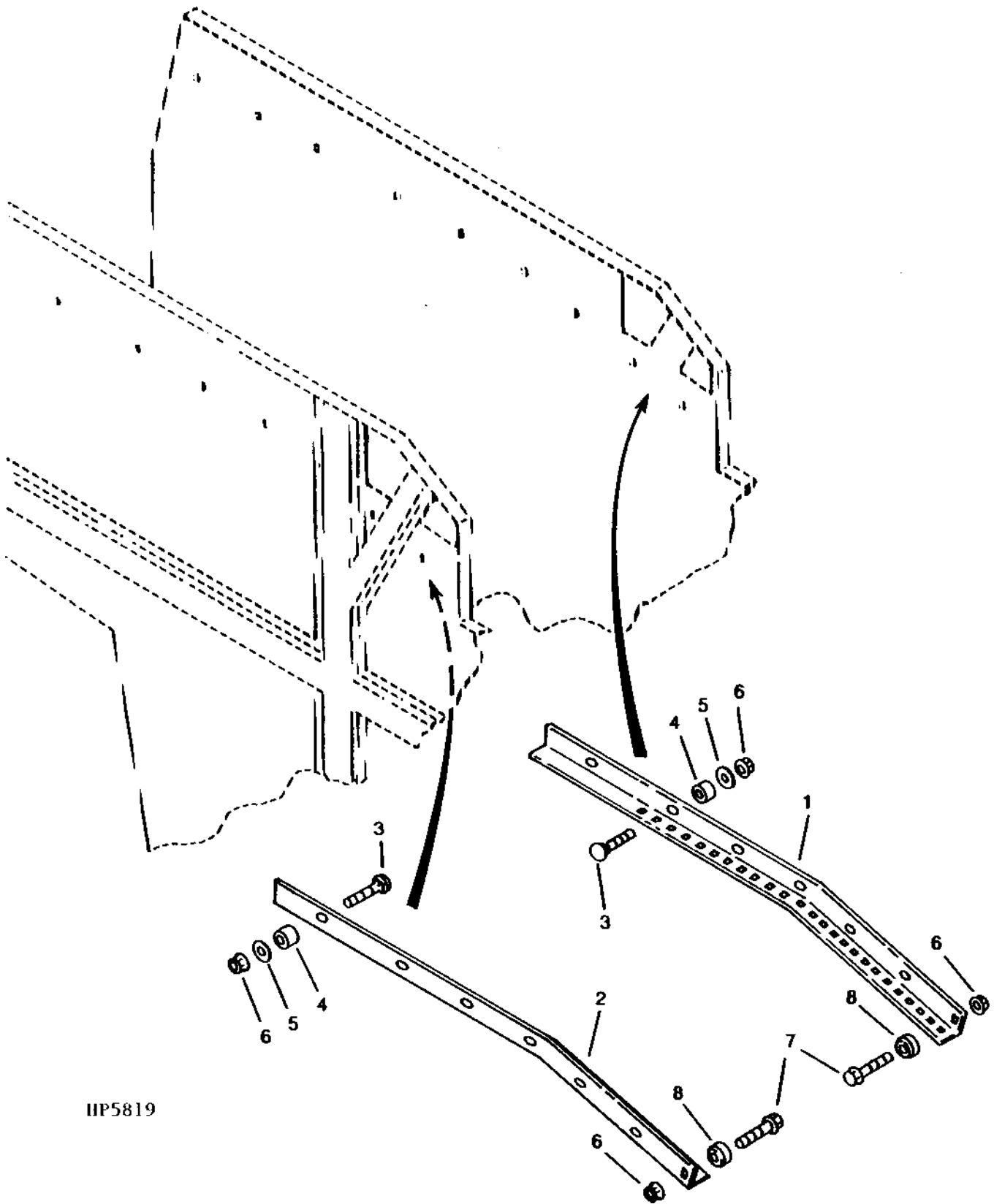
CHARGE PRESSURE HOSE - CONTINUED

KEY	PART NO.	PART NAME	QTY	SERIAL NO.	REMARKS
1	03M7267	BOLT	2	M8 X 80	
	14M7298	FLANGE NUT	2	M8	
2	R26448	O-RING	4	11.887 X 1.981 MM (0.468" X 5/64")	
3	38H1160	ADAPTER	2		
4	T77613	O-RING	2	9.246 X 1.778 MM (0.364" X 0.070")	
5	AH128894	HYDRAULIC HOSE	1	11/16" X 570 MM (22-1/2") X 11/16" (PRESSURE)	
6	R27218	FITTING PLUG	2		
7	R26375	O-RING	1		
8	R39112	FITTING	1		
9	H139448	FITTING	1		
10	R28782	O-RING	1	8.915 X 1.829 MM (0.351" X 0.072")	
11	AH128929	SWITCH	1		

MEMORANDA

3B7

TINE SEPARATOR MODULE RAILS
HP5819 -UN-01JAN94



HP5819

3B8

SEPARATOR SHELL

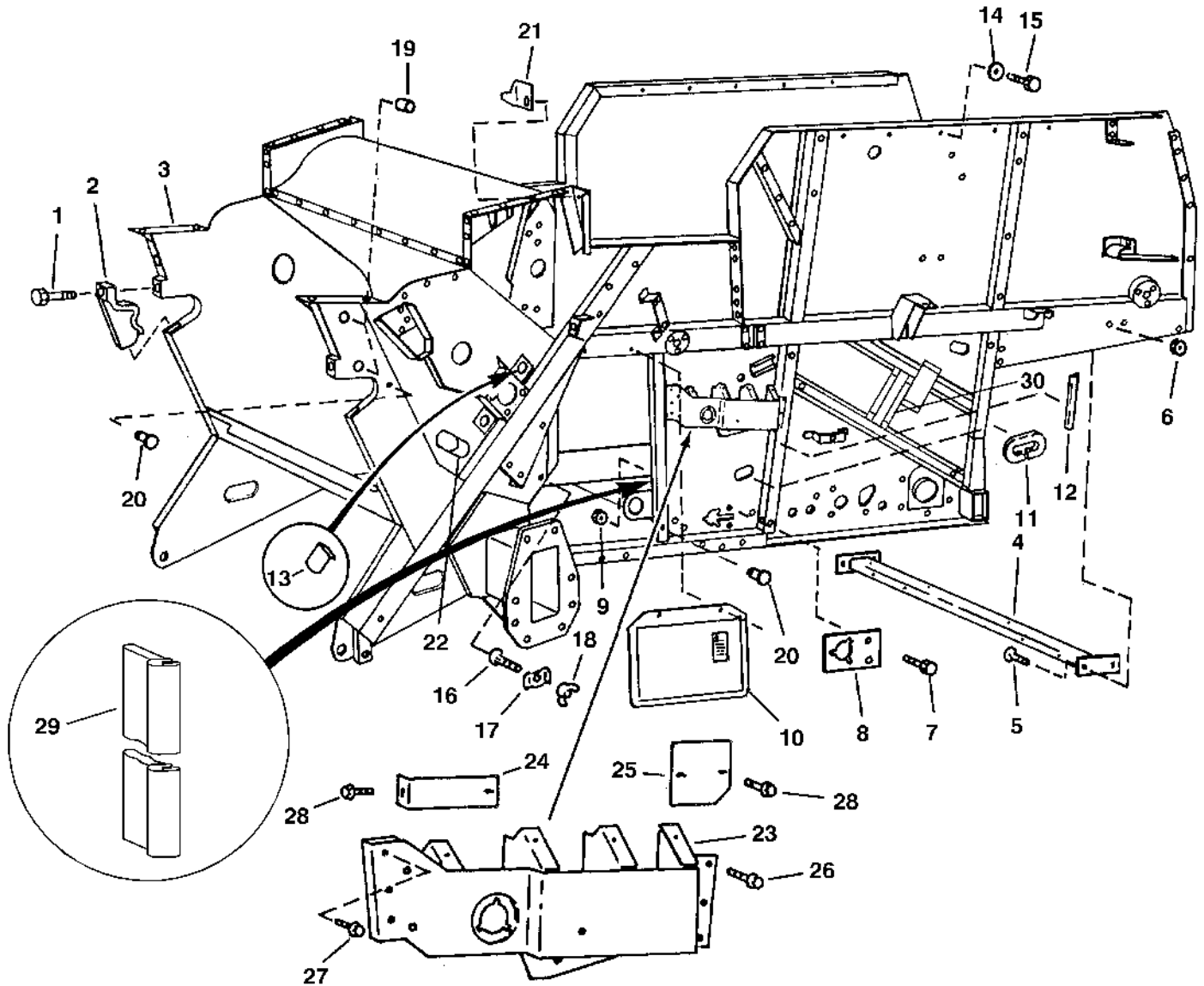
TINE SEPARATOR MODULE RAILS - CONTINUED

KEY	PART NO.	PART NAME	QTY	SERIAL NO.	REMARKS
1	H143585	ANGLE	1		L.H.
2	H143584	ANGLE	1		R.H.
3	03M7339	BOLT	14		M10 X 50
4	H123918	SPACER	14		
5	24M7239	WASHER	14		10.700 X 21 X 2.500 MM (0.421" X 0.827" X 0.098")
6	14M7296	FLANGE NUT	16		M10
7	19M7807	SCREW	2		M10 X 60
8	H145716	RAMP	2		

3B9

SEPARATOR SHELL

SEPARATOR FRAME
HP6867 -UN-04AUG97



HP6867

3B10

SEPARATOR SHELL

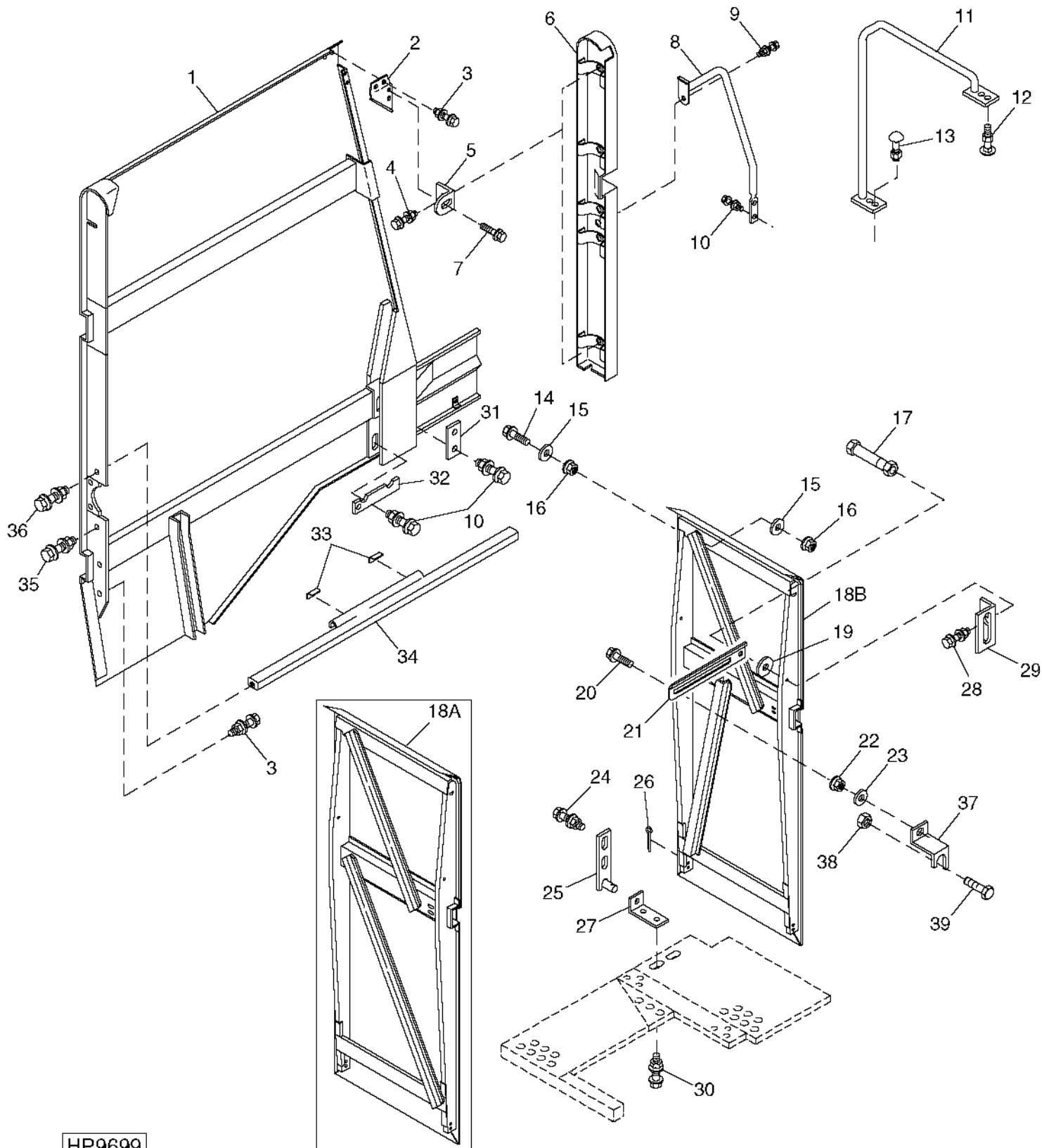
SEPARATOR FRAME- CONTINUED

KEY	PART NO.	PART NAME	QTY	SERIAL NO.	REMARKS
1	19M7831	SCREW	2		
2	H158749	RETAINER	2		
3	FRAME	1		
4	AH132361	CROSSBAR	2		
5	03M7218	BOLT	8	M10 X 80	
6	14M7296	FLANGE NUT	8	M10	
7	19M7865	SCREW	2	M8 X 16	
8	H132539	COVER	1		
9	14M7298	FLANGE NUT	2	M8	
10	H130349	COVER	2		
11	SEAL	2		CUT TO LENGTH FROM AH133091 50 FT ROLL
12	SEAL	2		CUT TO LENGTH FROM AH133091 50 FT ROLL
13	H89544	DOOR	4		TO CHECK CYLINDER TO CONCAVE CLEARANCE
14	24M7178	WASHER	10		10.500 X 30 X 2.500 MM
15	37M7080	SCREW	10		M10 X 30, THRU ENGINE PLATFORM AND INTO FRAME SILL WELD NUT
16	03M7185	BOLT	4		
17	P47159	CLAMP	4		M8 X 25
18	14M7020	WING NUT	4		M8
19	H120379	SPACER	4		
20	H132926	PLUG	4		
21	H140866	CLAMP	1		
22	H148000	PLUG	1		KNOCK OUT PLUG (TO CONVERT TO RICE CYLINDER) IF LOST - WELD IN PLACE
23	AH140485	BRACKET	1		L.H.
	AH140484	BRACKET	1		R.H.
24	H144715	SHIELD	1		L.H.
	H144716	SHIELD	1		R.H.
25	H144717	SHIELD	1		L.H.
26	19M7785	SCREW	3		M10 X 25
27	19M8292	SCREW	3		M10 X 50
28	37M7089	SCREW	2		M6 X 12
29	SEAL	1		CUT TO 180 MM FROM AH133091
30	H160265	REINFORCEMENT	1		

3B11

SEPARATOR SHELL

ENGINE ACCESS DOOR, HANDRAILS, AND RADIATOR DOOR
HP9699 -UN-18APR00



HP9699

3B12

SEPARATOR SHELL

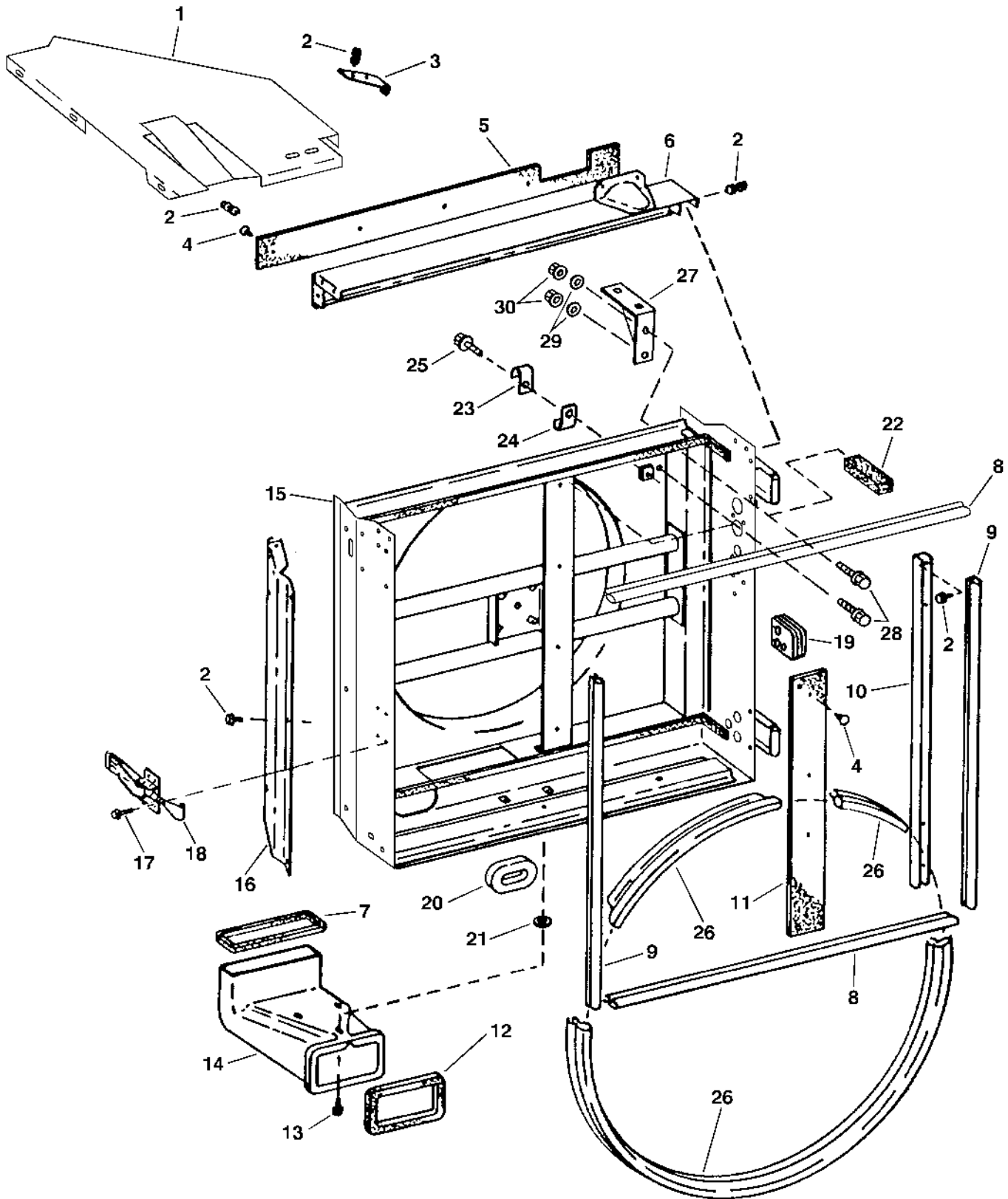
ENGINE ACCESS DOOR, HANDRAILS, AND RADIATOR DOOR - CONTINUED

KEY	PART NO.	PART NAME	QTY	SERIAL NO.	REMARKS
1	AH136163	DOOR	1		
2	H134403	REINFORCEMENT	1		
3	19M7865	SCREW	4	M8 X 16	
	14M7298	FLANGE NUT	4	M8	
4	03M7184	BOLT	AR	M8 X 20	
	14M7298	FLANGE NUT	AR	M8	
5	H130968	ANGLE	3		
6	AH126015	PANEL	1		
7	19M7866	SCREW	3	M8 X 20	
8	AH126016	HANDRAIL	1		
9	19M7784	SCREW	1	M10 X 20	
	24M7101	WASHER	1	11 X 34 X 3 MM	
	14M7296	FLANGE NUT	1	M10	
10	19M7785	SCREW	6	M10 X 25	
	14M7296	FLANGE NUT	6	M10	
11	AH125686	HANDRAIL	1		
12	03M7307	BOLT	2	M10 X 25	
13	19M7784	SCREW	2	M10 X 20	
	14M7296	FLANGE NUT	2	M10	
14	H133042	PIN	1		
15	24M7180	WASHER	2	13 X 37 X 3 MM	
16	14M7299	FLANGE NUT	2	M12	
17	53M7003	SCREW	1	M8 X 25	
	E64256	LOCK NUT	1	M8	
18A	AH133830	DOOR	1	(SUB AH168934)	
18B	AH168934	DOOR	1		
19	24M7178	WASHER	1	10.500 X 30 X 2.500 MM	
20	19M8319	SCREW	1	M8 X 50	
21	H139225	STOP	1		
22	14M7273	NUT	2	M8	
23	24M7207	WASHER	1	8.400 X 24 X 2 MM	
24	03M7184	BOLT	AR	M8 X 20	
	14M7298	FLANGE NUT	AR	M8	
25	AH125575	PLATE	1		
26	11M7012	COTTER PIN	2	3.200 X 16 MM	
27	H130246	HINGE	2		
28	19M7866	SCREW	4	M8 X 20	
	14M7298	FLANGE NUT	4	M8	
29	H134072	ANGLE	1		
30	03M7185	BOLT	4	M8 X 25	
	24M7207	WASHER	4	8.400 X 24 X 2 MM	
	14M7298	FLANGE NUT	4	M8	
31	H132992	PLATE	2		
32	H132793	STRAP	AR		
33	Z39238	FOAM PAD	2		
34	H130967	REINFORCEMENT	1		
35	19M7785	SCREW	3	M10 X 25	
36	19M7784	SCREW	2	M10 X 20	
	14M7296	FLANGE NUT	2	M10	
37	H139224	BRACKET	1		
38	14M7298	FLANGE NUT	1	M8	
39	19M7866	SCREW	1	M8 X 20	

3B13

SEPARATOR SHELL

RADIATOR SHELL AND SEALS
HP7120 -UN-09OCT97



HP7120

3B14

SEPARATOR SHELL

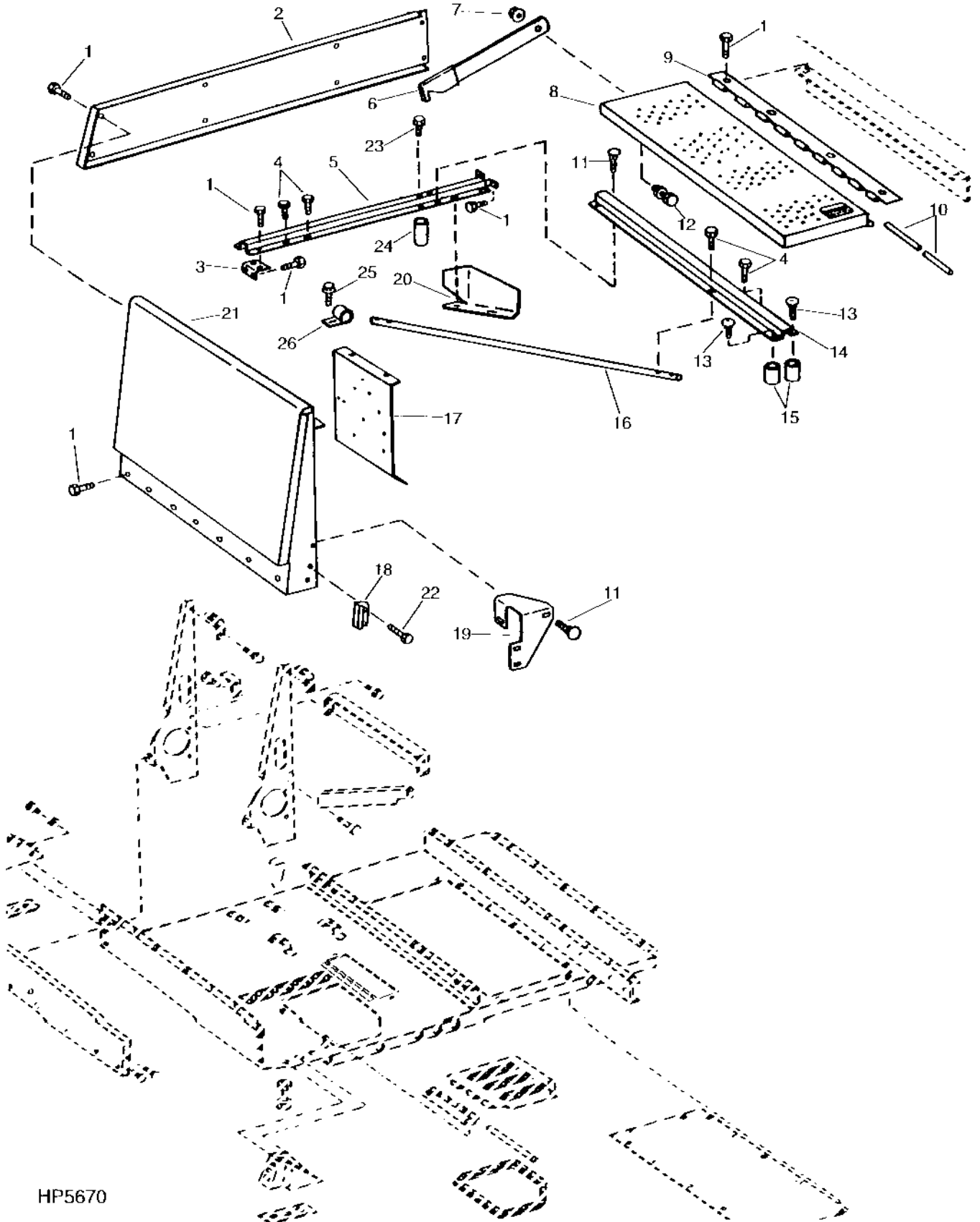
RADIATOR SHELL AND SEALS - CONTINUED

KEY	PART NO.	PART NAME	QTY	SERIAL NO.	REMARKS
1	AH156359	SHEET	1	(SUB AH160085)	
	AH160085	SHEET	1		
2	19M7865	SCREW	AR	M8 X 16	
	14M7298	FLANGE NUT	AR	M8	
	24M7207	WASHER	2		
3	H134910	BRACKET	1	(SUB H167159)	
	H167159	BRACKET	1		
4	H116740	PLUG	9		
5	H154195	SEAL	1		
6	AH133226	CHANNEL	1		USE WITH AH144719 RADIATOR
7	SEAL	4		(CUT FROM H88769) CUT TO LENGTH; TWO PIECES AT 1440 MM, ONE PIECE AT 135 MM, ONE PIECE AT 765 MM. 1116 MM LONG. USE AH130548 AND CUT TO 1037 MM
8	AH140967	ACOUSTICAL UPHOLSTERY	2		
9	ISOLATOR	2		
10	H146260	CHANNEL	1		
11	H134520	SEAL	1		
12	AH131965	ISOLATOR	1		
13	19M7865	SCREW	1	M8 X 16	
14	H143465	AIR DUCT	1		
15	AH156168	FRAME	1		
16	H134527	SHEET	1		
17	37M7060	SCREW	AR	M4 X 10	
18	AH87272	LATCH	1		
19	R66718	GROMMET	1		
20	H128502	SEAL	1		
21	24M7207	WASHER	3	8.400 X 24 X 2 MM	
	19M7864	SCREW	3	M8 X 12	
22	H88769	ISOLATOR	1	6 096 MM (240")	
23	AH89557	CLIP	1		
24	AH96317	CLIP	1		
25	19M7865	SCREW	1	M8 X 16	
26	AH140967	ACOUSTICAL UPHOLSTERY	1		
27	H162138	BRACKET	1		
28	19M7865	SCREW	2	M8 X 16	
29	24M7207	WASHER	2	8.400 X 24 X 2 MM	
30	14M7298	FLANGE NUT	2	M8	

3B15

SEPARATOR SHELL

ENGINE COMPARTMENT
HP5670 -UN-01MAY95



HP5670

3B16

SEPARATOR SHELL

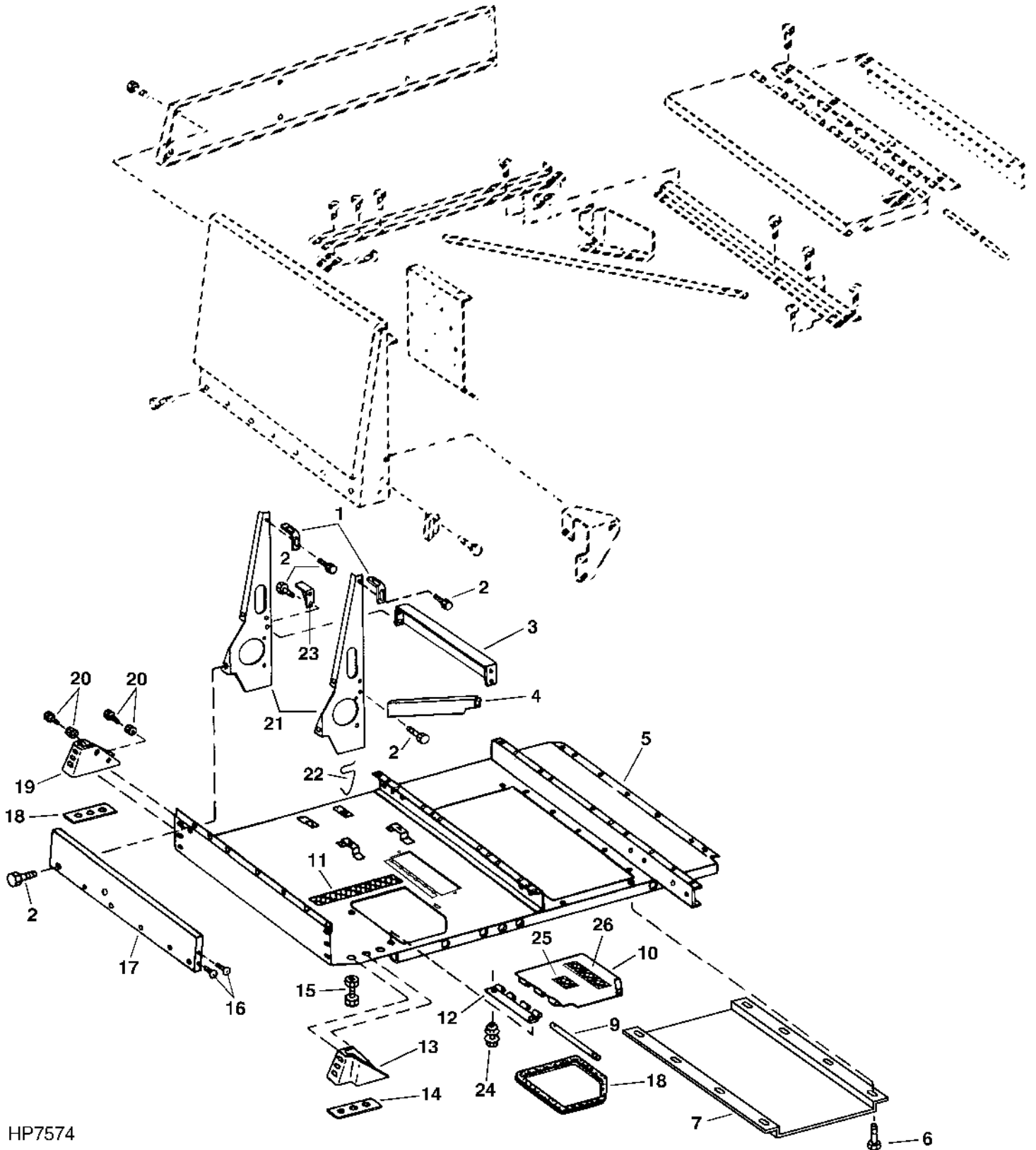
ENGINE COMPARTMENT - CONTINUED

KEY	PART NO.	PART NAME	QTY	SERIAL NO.	REMARKS
1	19M7865	SCREW	AR		M8 X 16
	14M7298	FLANGE NUT	AR		M8
2	H134106	PANEL	1		L.H.
3	H128744	ANGLE	1		
4	19M8290	SCREW	4		M6 X 35
	14M7397	LOCK NUT	4		M6
5	AH162073	CHANNEL	1		(SUB FOR AH158255) L.H.
6	AH136616	BRACE	1		
7	14M7396	LOCK NUT	1		M8
8	AH136455	DOOR	1		
9	H134738	HINGE	1		
10	H134930	PIN	1		MAKE FROM H99599, 1 165 MM LONG
11	03M7183	BOLT	1		M8 X 16
	14M7298	FLANGE NUT	1		M8
12	19M7868	SCREW	1		M8 X 30
	14M7273	NUT	1		M8
13	37M7102	SCREW	2		M8 X 40
14	AH152323	CHANNEL	1		REAR
15	H141836	BUSHING	2		
16	H155112	TUBE	1		USED ON CTS GRAIN AND RICE
	H135147	TUBE	1		USED ON CTS ITALY
17	AH130497	PLATE	1		
18	H134073	STOP	1		
19	H137267	REINFORCEMENT	1		REAR WALL
20	H135610	DEFLECTOR	1	-20JL98	
	H169292	DEFLECTOR	1	20JL98-	
21	AH136046	PANEL	1		UPPER REAR
22	19M7866	SCREW	1		M8 X 20
	14M7298	FLANGE NUT	1		M8
23	19M8318	SCREW	1		M8 X 45
24	28H1633	BUSHING	1		
25	19M7865	SCREW	1		M8 X 16
26	H136577	CLAMP	1		

3B17

SEPARATOR SHELL

ENGINE COMPARTMENT
HP7574 -UN-20JUL98



HP7574

3B18

SEPARATOR SHELL

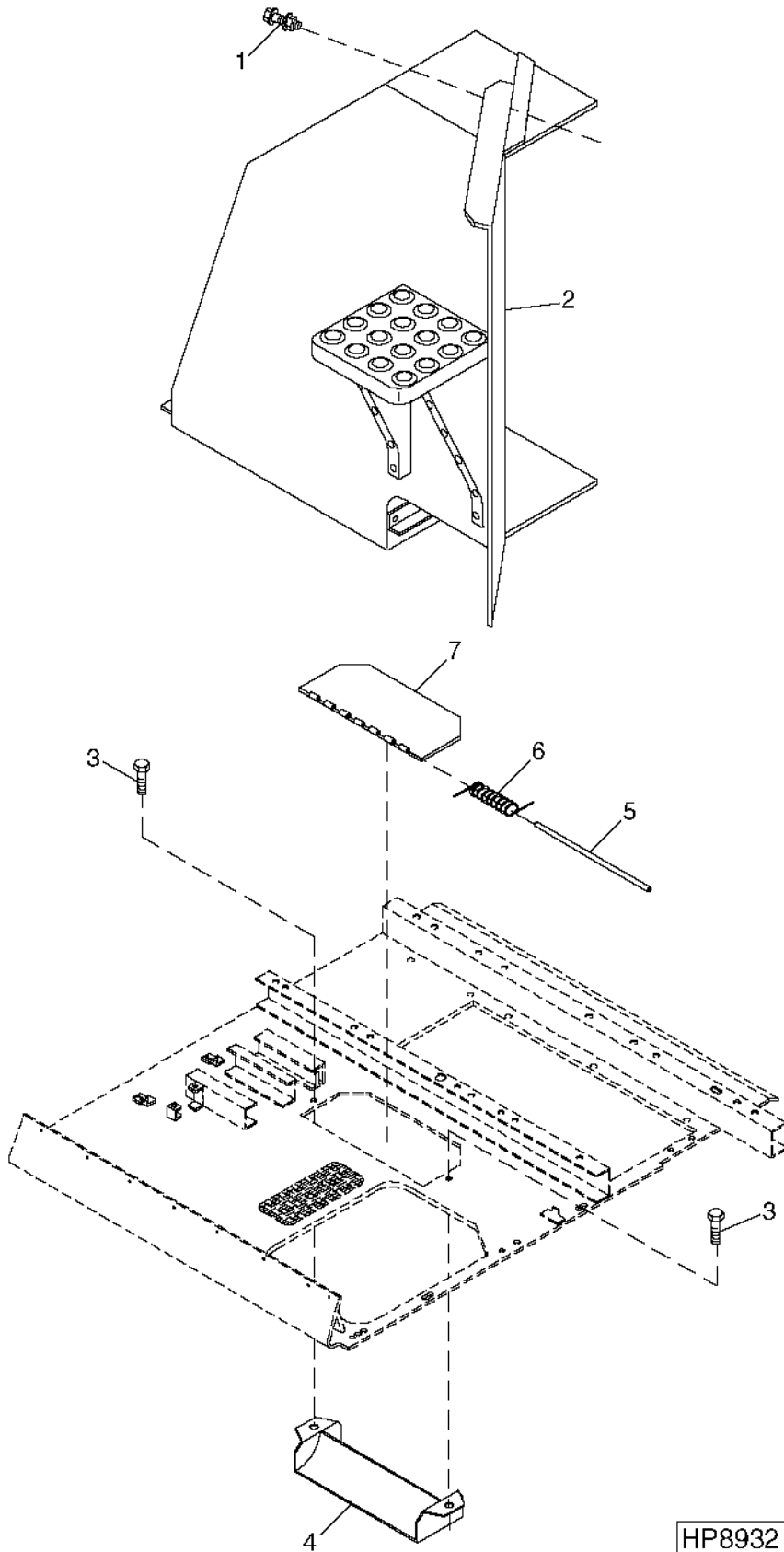
ENGINE COMPARTMENT - CONTINUED

KEY	PART NO.	PART NAME	QTY	SERIAL NO.	REMARKS
1	H131526	ANGLE	2		
2	19M7865	SCREW	7		M8 X 16
	14M7298	FLANGE NUT	2		M8
3	H134102	CHANNEL	1		
4	H134108	GUSSET	1		
5	AH164365	FRAME	1		(SUB FOR AH154876 AND H161354)
6	37M7058	SCREW	16		M8 X 20
7	H161354	COVER	1		
8	AH122244	ISOLATOR	1		
9	H130057	PIN	1		
10	AH130506	DOOR	1		
11	H131743	MAT	1		(SUB H130057)
12	H134506	HINGE	1		
13	H137261	SUPPORT	1	-675935	(SUB H165585) R.H.
	H165585	SUPPORT	1	675936-	R.H.
14	H135393	STRAP	1		
15	19M7805	SCREW	4		M10 X 45
	14M7296	FLANGE NUT	4		M10
16	03M7183	BOLT	2		M8 X 16
17	AH136047	PANEL	1		
18	H135392	STRAP	1		
19	H140225	SUPPORT	1	-675935	(SUB H165587)
	H165587	SUPPORT	1	675936-	L.H.
20	19M7866	SCREW	2		M8 X 20
	14M7298	FLANGE NUT	2		M8
21	H134107	GUSSET	2		
22	H135245	HOOK	1		
23	H134105	GUSSET	1		
24	H135245	HOOK	1		
	14M7298	FLANGE NUT	2		M8
25	H136015	MAT	1		
26	H136014	MAT	1		

3B19

SEPARATOR SHELL

ENGINE COMPARTMENT
HP8932 -UN-18AUG99



3B20

SEPARATOR SHELL

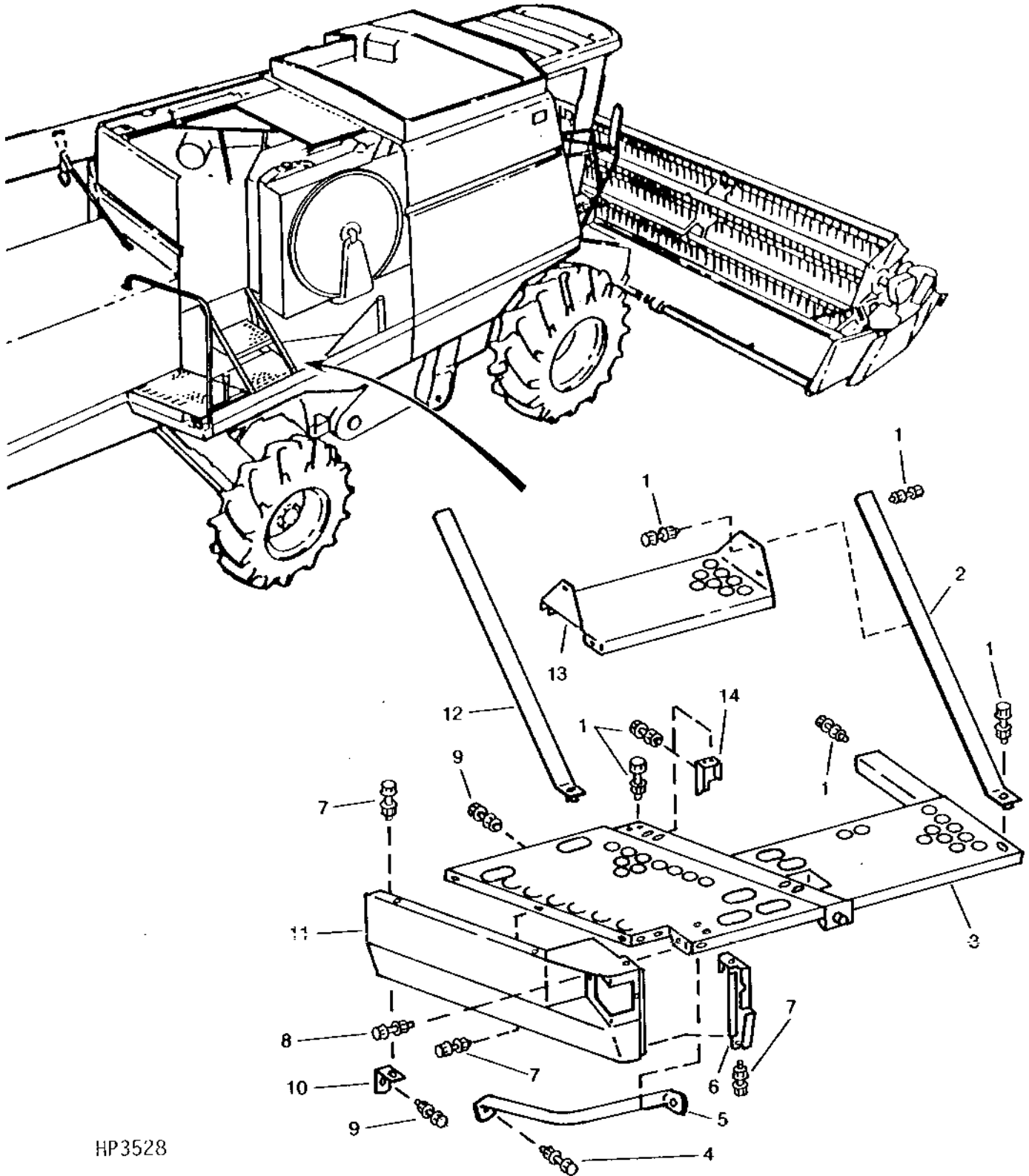
ENGINE COMPARTMENT - CONTINUED

KEY	PART NO.	PART NAME	QTY	SERIAL NO.	REMARKS
1	19M7865	SCREW	1		M8 X 16, INTO WELD NUT
	14M7298	FLANGE NUT	1		M8
2	AH162371	AIR DUCT	1		(SUB FOR AH137887)
3	37M7058	SCREW	2		SELF-TAPPING, INTO WELD NUT
4	AH137859	DEFLECTOR	1		
5	H144077	PIN	1		
6	H35712	SPRING	2		
7	H144034	HINGE	1		DOOR

3B21

SEPARATOR SHELL

ENGINE ACCESS PLATFORM AND STEP
HP3528 -UN-01JAN94



HP3528

3B22

SEPARATOR SHELL

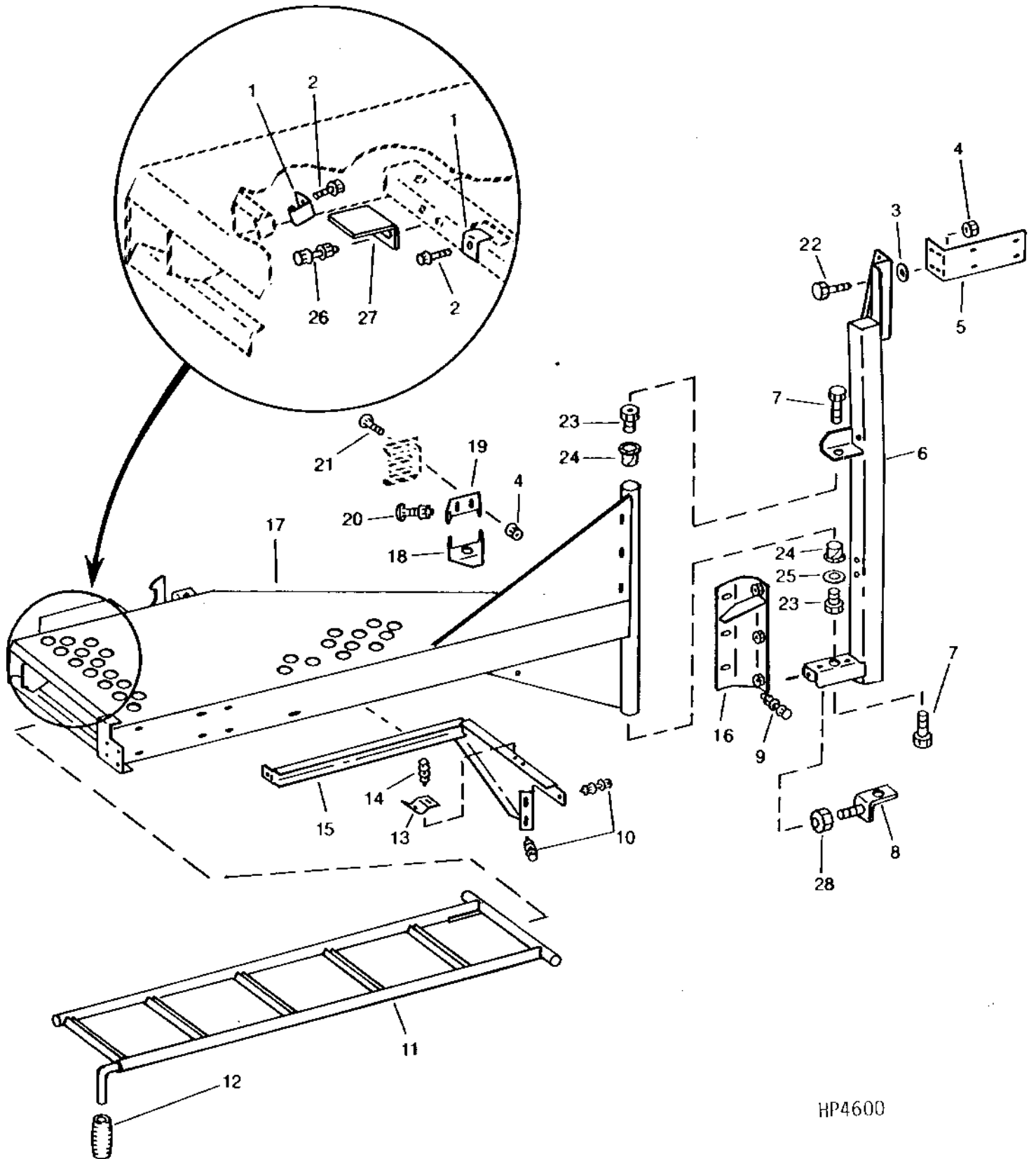
ENGINE ACCESS PLATFORM AND STEP - CONTINUED

KEY	PART NO.	PART NAME	QTY	SERIAL NO.	REMARKS
1	19M7784	SCREW	16	M10 X 20	
	14M7296	FLANGE NUT	16	M10	
2	H130424	ANGLE	1		
3	AH156186	PLATFORM	1		
4	19M7785	SCREW	1	M10 X 25	
	14M7296	FLANGE NUT	1	M10	
5	H130432	BRACE	1		
6	H130431	PANEL	1		
7	19M7865	SCREW	7	M8 X 16	
	14M7298	FLANGE NUT	7	M8	
8	03M7185	BOLT	1	M8 X 25	
	14M7298	FLANGE NUT	1	M8	
9	19M7866	SCREW	4	M8 X 20	
	14M7298	FLANGE NUT	4	M8	
10	H131526	ANGLE	1		
11	AH125685	PANEL	1		
12	H130425	ANGLE	1		
13	AH127837	STEP	1		
14	H134081	SUPPORT	1		

3B23

SEPARATOR SHELL

REAR LADDER AND LANDING
HP4600 -UN-01JAN94



HP4600

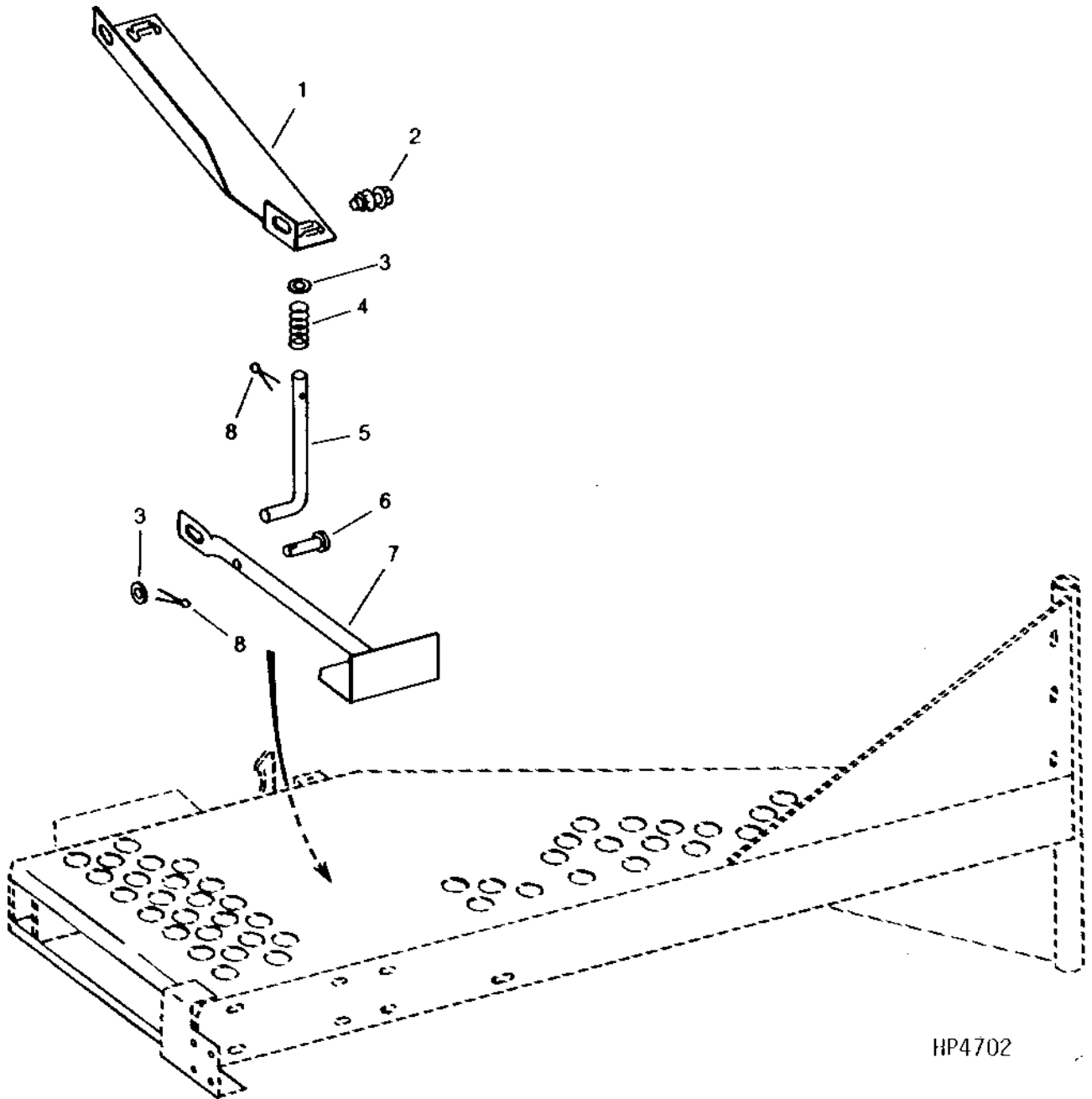
3B24

SEPARATOR SHELL

REAR LADDER AND LANDING - CONTINUED

KEY	PART NO.	PART NAME	QTY	SERIAL NO.	REMARKS
1	H130555	STRIP	4		
2	37M7060	SCREW	4	M4 X 10	
3	H141123	NUT	5	10 MM	
4	14M7296	FLANGE NUT	7	M10	
5	H129885	ANGLE	1		
6	AH137254	SUPPORT	1		
7	19M7851	SCREW	2	M20 X 60	
8	AH120216	ADJUSTER	1		
9	19M7784	SCREW	3	M10 X 20	
10	14M7296	FLANGE NUT	3	M10	
	19M7865	SCREW	4	M8 X 16	
	14M7298	FLANGE NUT	4	M8	
11	AH139782	LADDER	1		
12	C3203E	GRIP	1		
13	H120082	LATCH	1		
14	19M7774	SCREW	2	M6 X 12	
	14M7303	FLANGE NUT	2	M6	
15	AH130193	CHANNEL	1		
16	AH125788	BRACKET	1		
17	AH135298	PLATFORM	1		
18	H142035	CATCH	1		
	H142035	CATCH	1		
19	H133152	BRACKET	1		
20	03M7190	BOLT	2	M10 X 20	
	24M7178	WASHER	2	10.500 X 30 X 2.500 MM	
21	14M7296	FLANGE NUT	2	M10	
	03M7190	BOLT	2	M10 X 20	
22	19M7785	SCREW	5	M10 X 25	
23	H119411	PIN	2		
24	T40867	BUSHING	2		
25	Z39386	WASHER	1	1.614" X 2.165" X 0.079"	
26	19M7775	SCREW	2	M6 X 16	
	14M7303	FLANGE NUT	2	M6	
27	H129004	ANGLE	1		
28	A31867	LOCK NUT	1	M12	

REAR LADDER LANDING LATCH ARM
HP4702 -UN-01JAN94



HP4702

REAR LADDER LANDING LATCH ARM - CONTINUED

KEY	PART NO.	PART NAME	QTY	SERIAL NO.	REMARKS
1	H140881	CATCH	1		
2	19M7784	SCREW	2	M10 X 20	
	14M7296	FLANGE NUT	2	M10	
3	24H1341	WASHER	2	17/32" X 15/16" X 0.060"	
4	Y3082BN	SPRING	1		
5	H140872	PIN	1		
6	45M7088	PIN	1	10 X 55 MM	
7	AH135300	ARM	1		
8	11M7059	COTTER PIN	2	3.200 X 20 MM	

3C4

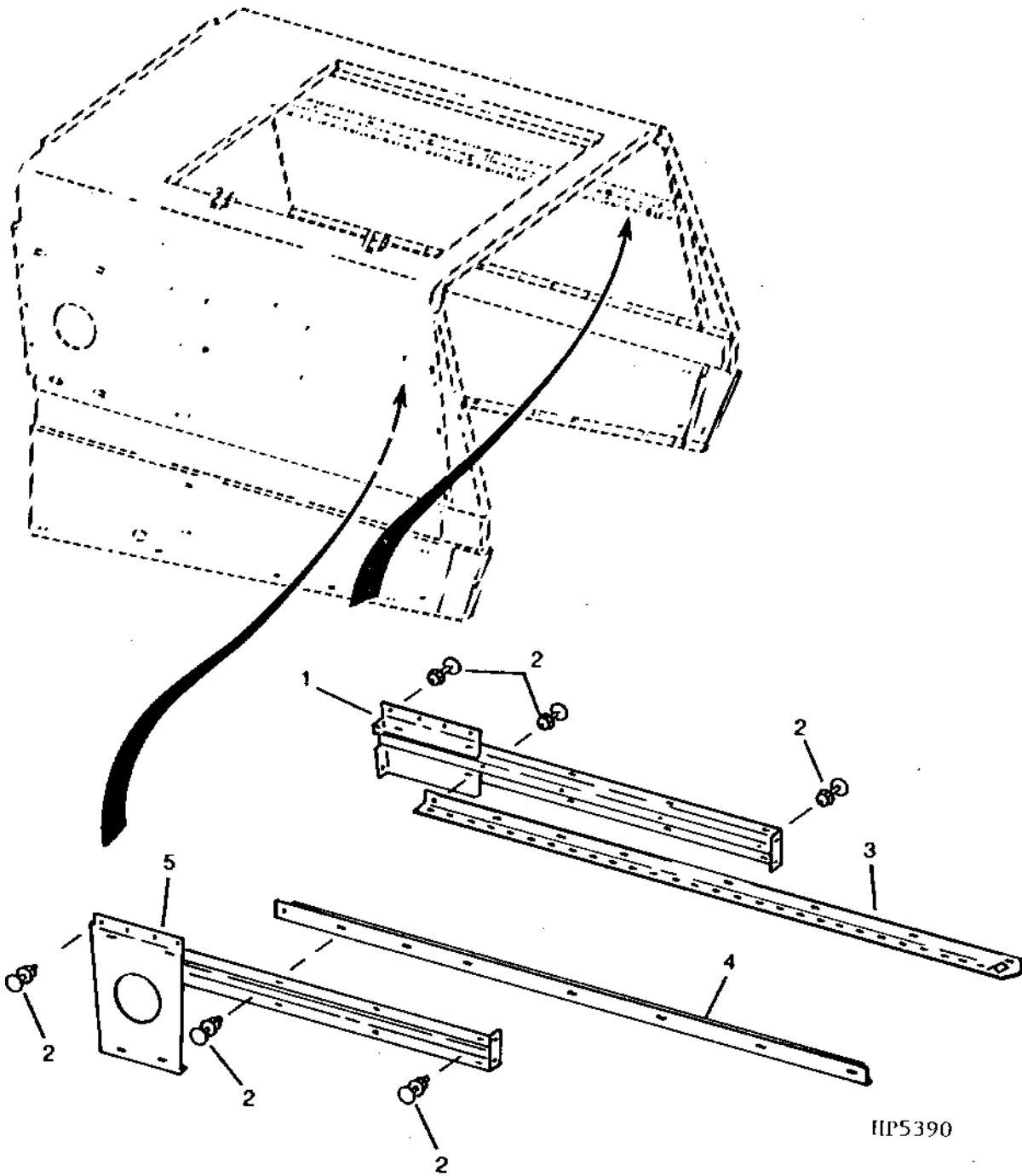
SEPARATOR SHELL

REAR HOOD - CONTINUED

KEY	PART NO.	PART NAME	QTY	SERIAL NO.	REMARKS
1	AH163646	HOOD	1		(SUB FOR AH142012 OR AH153676)
2	AH89557	CLIP	5		WIRING HARNESS
3	NUT	2		
4	19M7808	SCREW	2		M10 X 65
5	19M7866	SCREW	3		M8 X 20
	14M7298	FLANGE NUT	3		M8
6	19M7835	SCREW	8		M10 X 35
	14M7296	FLANGE NUT	8		M10
7	AH138317	HINGE	2		REAR DOOR
8	19M7785	SCREW	4		M10 X 25
	14M7296	FLANGE NUT	4		M10
9	03M7191	BOLT	7		M10 X 25
	14M7296	FLANGE NUT	7		M10
10	19M7867	SCREW	18		M8 X 25
	14M7298	FLANGE NUT	18		M8
11	H138453	SHEET	1		LOWER RIGHT HAND
12	AH138292	SUPPORT	1		RIGHT-HAND
13	AH141864	SUPPORT	1		LEFT-HAND
14	H138452	SHEET	1		LOWER LEFT-HAND
15	H141659	BRACKET	2		UPPER ACCESS DOOR
16	03M7307	BOLT	2		M10 X 25
	14M7296	FLANGE NUT	2		M10
17	H136014	MAT	1		
18	H136015	MAT	1		
19	AH140943	BRACKET	1		
20	AH154083	SUPPORT	1		
	AH154086	SUPPORT	1		
21	19M7809	SCREW	4		M10 X 70
	14M7400	LOCK NUT	4		M10
22	H171977	SCREW	6		

3C5

MODULE MOUNTING TRACKS AND SUPPORTS
HP5390 -UN-01JAN94



3C6

SEPARATOR SHELL

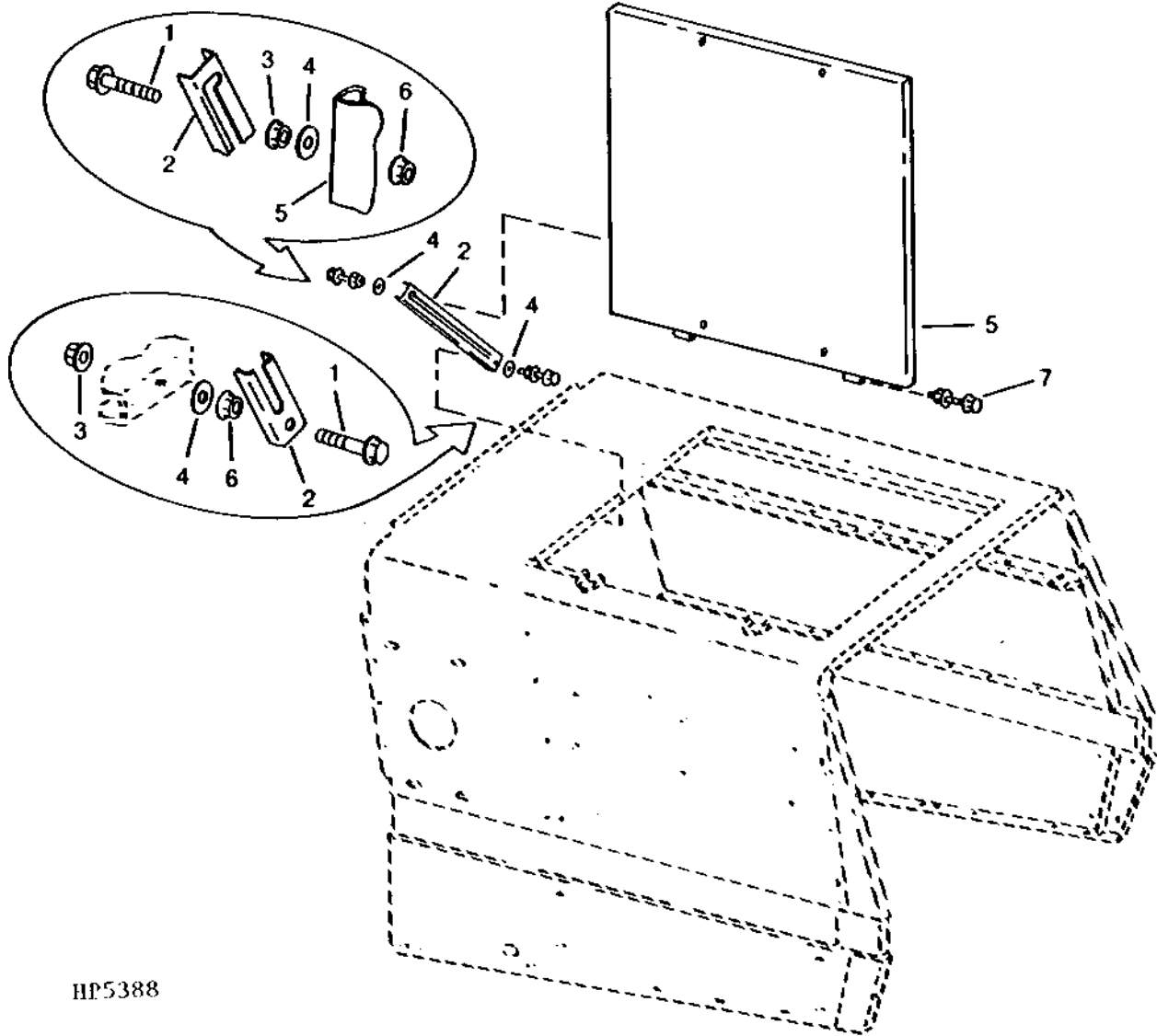
MODULE MOUNTING TRACKS AND SUPPORTS - CONTINUED

KEY	PART NO.	PART NAME	QTY	SERIAL NO.	REMARKS
1	AH133303	SUPPORT	1		RIGHT-HAND
2	03M7307	BOLT	31		M10 X 25
	14M7296	FLANGE NUT	31		M10
3	AH137408	ANGLE	1		RIGHT-HAND
4	AH137409	ANGLE	1		LEFT-HAND
5	AH135182	SUPPORT	1		LEFT-HAND

3C7

SEPARATOR SHELL

REAR HOOD ACCESS DOOR AND STOP
HP5388 -UN-01JAN94



HP5388

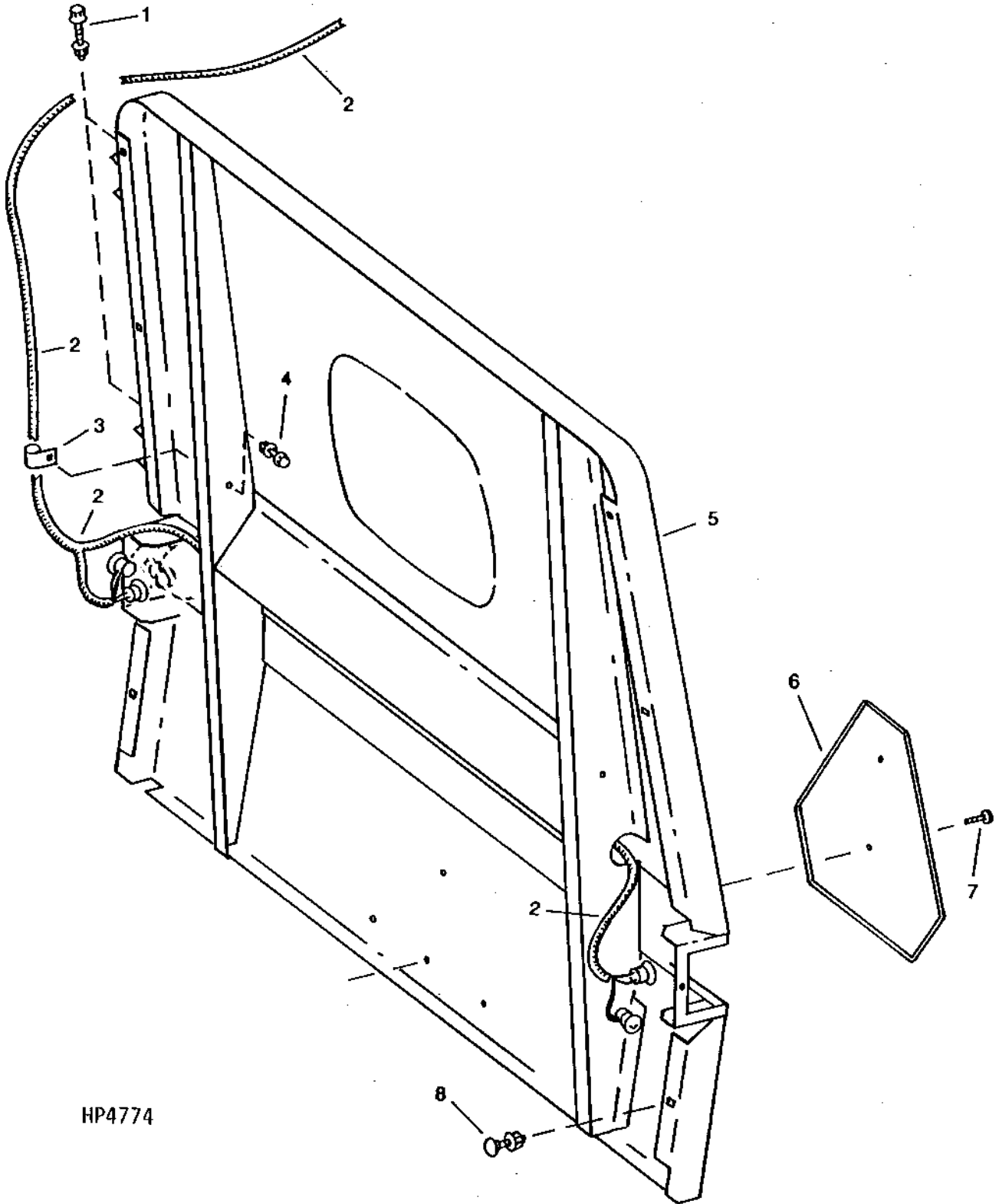
REAR HOOD ACCESS DOOR AND STOP - CONTINUED

KEY	PART NO.	PART NAME	QTY	SERIAL NO.	REMARKS
1	19M7868	SCREW	2		
2	H132511	STOP	1		
3	14M7396	LOCK NUT	2		M8
4	24M7207	WASHER	2		8.400 X 24 X 2 MM
5	AH139202	DOOR	1		TOP ACCESS
6	14M7298	FLANGE NUT	2		M8
7	19M7808	SCREW	2		M10 X 65
	14M7400	LOCK NUT	2		M10

3C9

SEPARATOR SHELL

REAR HOOD DOOR
HP4774 -UN-01JAN94



HP4774

3C10

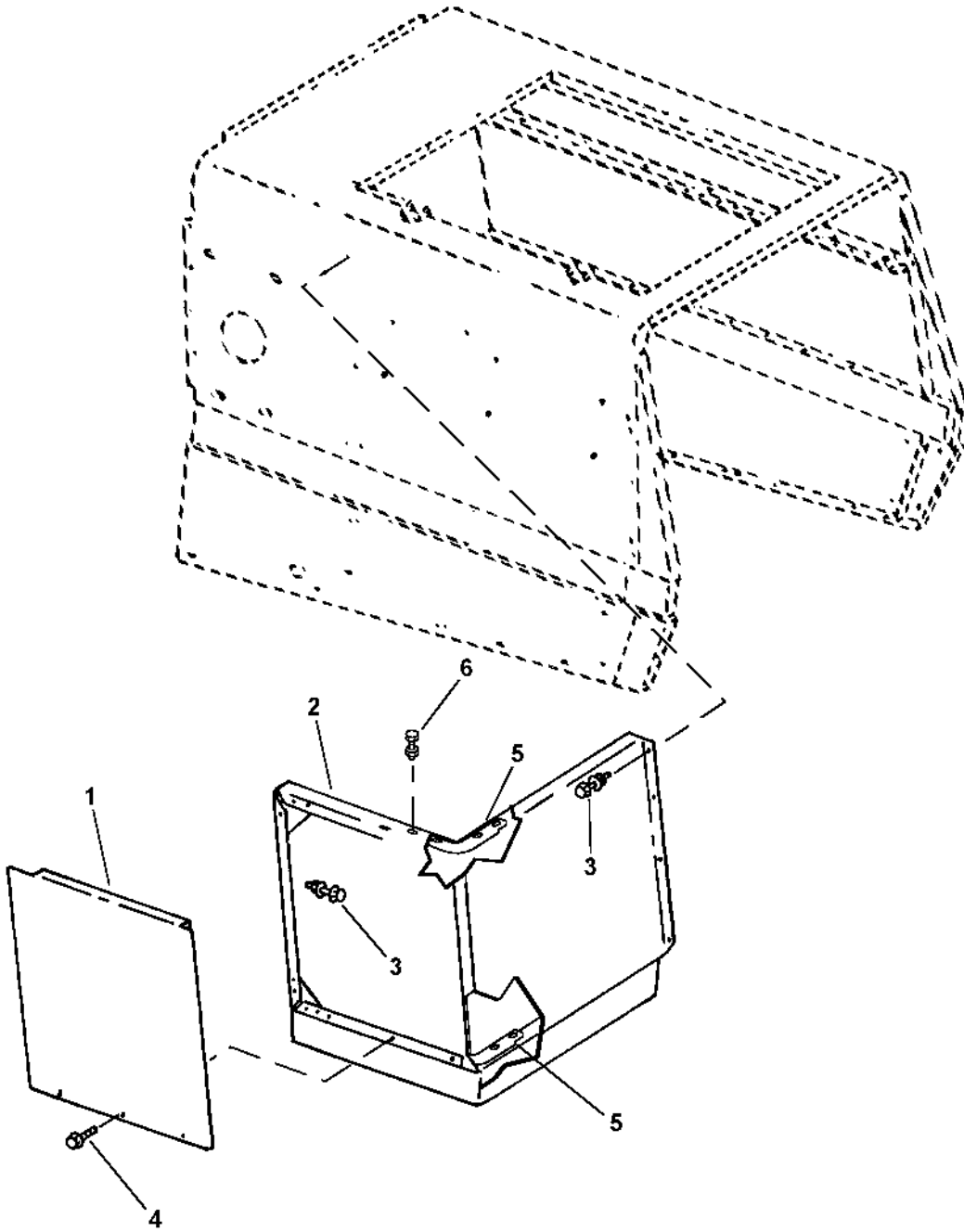
SEPARATOR SHELL

REAR HOOD DOOR - CONTINUED

KEY	PART NO.	PART NAME	QTY	SERIAL NO.	REMARKS
1	19M7808	SCREW	2		M10 X 65
	14M7400	LOCK NUT	2		M10
2	AH159235	WIRING HARNESS	1		
3	AH89557	CLIP	2		
4	19M7867	SCREW	1		M8 X 25
	14M7298	FLANGE NUT	1		M8
5	AH141865	DOOR	1		
6	H134667	DEFLECTOR	1		
	JD5400	SMV EMBLEM	1		
7	37M7131	SCREW	2		M6 X 20
8	03M7183	BOLT	3		M8 X 16
	14M7298	FLANGE NUT	3		M8

3C11

SEPARATOR DRIVE SIDE SHIELDS
HP7382 -UN-24JAN98



HP7382

3C12

SEPARATOR SHELL

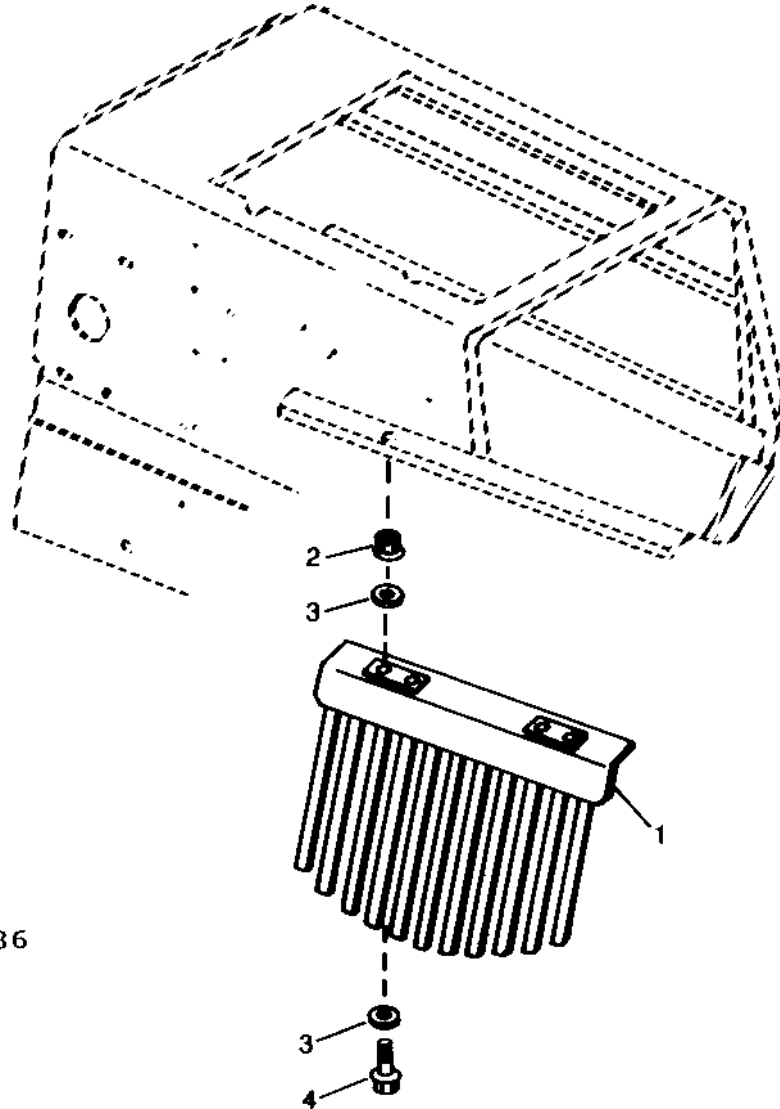
SEPARATOR DRIVE SIDE SHIELDS - CONTINUED

KEY	PART NO.	PART NAME	QTY	SERIAL NO.	REMARKS
1	H144181	SHIELD	1		ACCESS
2	AH158598	SHIELD	1		
3	19M7865	SCREW	10		M8 X 16
	14M7298	FLANGE NUT	10		M8
4	37M7058	SCREW	3		M8 X 20, SELF TAPPING
5	H150749	REINFORCEMENT	2		REAR HOOD, CORNER
6	19M7866	SCREW	8		M8 X 20
	14M7298	FLANGE NUT	8		M8

3C13

SEPARATOR SHELL

WINDROW ATTACHMENT
HP6186 -UN-05OCT95



HP6186

3C14

SEPARATOR SHELL

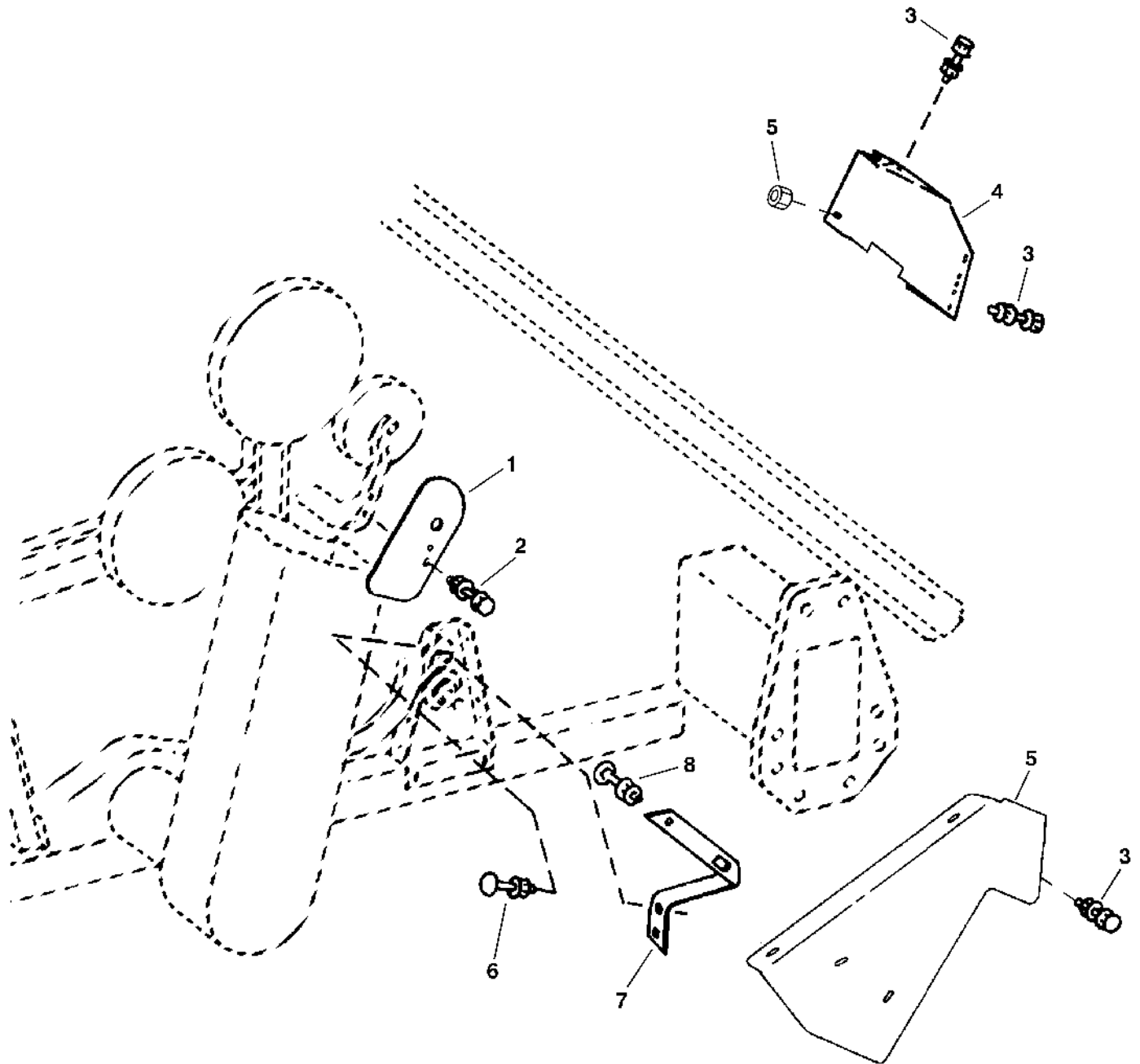
WINDROW ATTACHMENT - CONTINUED

KEY	PART NO.	PART NAME	QTY	SERIAL NO.	REMARKS
1	AH147061	BRACKET	2		
2	14M7296	FLANGE NUT	4	M10	
3	24M7180	WASHER	8	13 X 37 X 3 MM (0.512" X 1.457" X 0.118")	
4	19M7805	SCREW	4	M10 X 45	
..	BH81126	COMPLETE GOODS/SHIP. BUNDLE	1		WINDROW FORMING BUNDLE

3C15

SEPARATOR SHELL

AUGER DRIVE SHIELDS (R.H. SIDE)
HP6845 -UN-08SEP97



HP6845

3C16

SEPARATOR SHELL

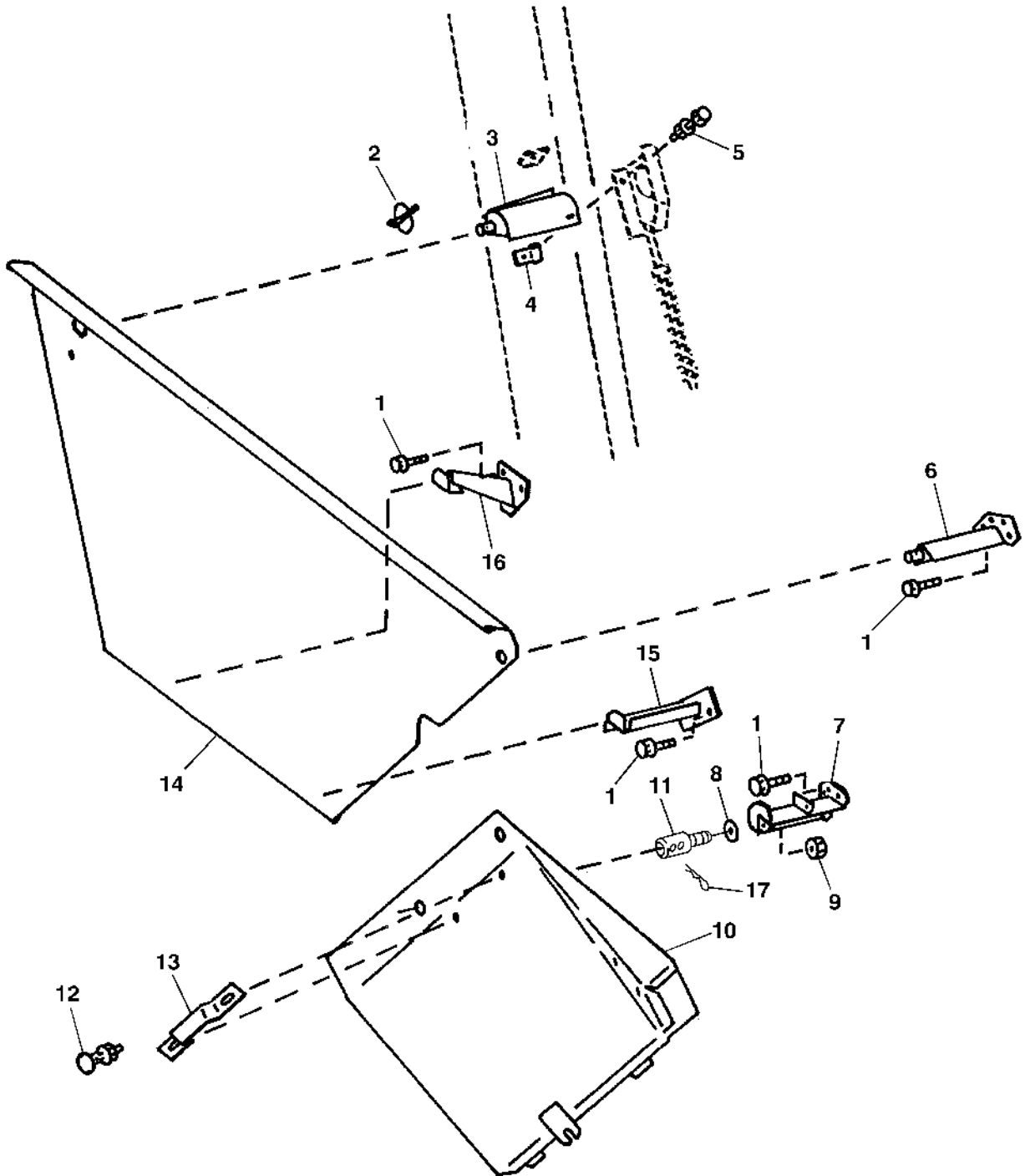
AUGER DRIVE SHIELDS (R.H. SIDE) - CONTINUED

KEY	PART NO.	PART NAME	QTY	SERIAL NO.	REMARKS
1	H141772	SHIELD	1		
2	19M3131	CAP SCREW	2	M8 X 25	
	14M7298	FLANGE NUT	2	M8	
3	19M7865	SCREW	4	M8 X 16	
	14M7298	FLANGE NUT	4	M8	
4	AH146783	SHIELD	1		
5	H141770	SHIELD	1		
6	03M7184	BOLT	2	M8 X 20	
	14M7298	FLANGE NUT	2	M8	
7	H146756	STRAP	1		
8	03M7183	BOLT	2	M8 X 16	
	14M7298	FLANGE NUT	2	M8	
..	H141771	SUPPORT	1	(SERVICE ONLY)	

3C17

SEPARATOR SHELL

MUD AND FAN DRIVE SHIELDS (L.H. SIDE)
HP7229 -UN-08JAN98



HP7229

3C18

SEPARATOR SHELL

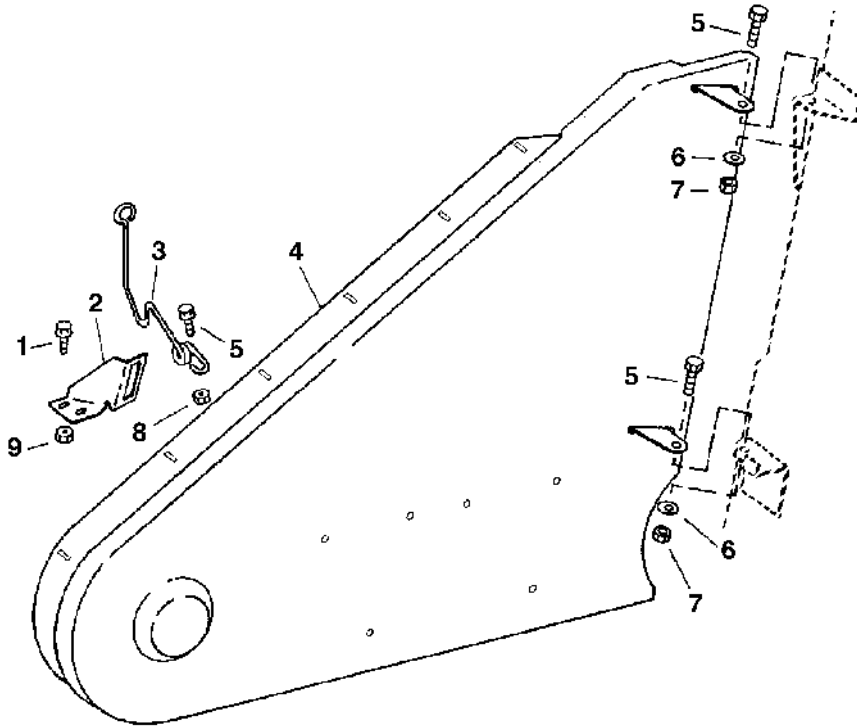
MUD AND FAN DRIVE SHIELDS (L.H. SIDE) - CONTINUED

KEY	PART NO.	PART NAME	QTY	SERIAL NO.	REMARKS
1	19M7865	SCREW	14		
2	M72598	QUICK LOCK PIN	6		
3	AH130941	BRACKET	1		
4	R46414	CLAMP	1		
5	19M7865	SCREW	2	M8 X 16	
	14M7298	FLANGE NUT	2	M8	
6	AH130945	BRACKET	1		
7	AH130944	BRACKET	1		
8	24M7178	WASHER	1	10.500 X 30 X 2.500 MM	
9	14M7296	FLANGE NUT	1	M10	
10	AH125820	SHIELD	1	CENTER	
11	H154757	STUD	1		
12	03M7183	BOLT	2	M8 X 16	
	14M7298	FLANGE NUT	2	M8	
13	H85184	HANDLE	1		
14	H140300	SHIELD	1	FRONT	
15	AH128914	BRACKET	1		
16	AH130197	BRACKET	1		
17	A15147	SPRING LOCKING PIN	1		

3C19

SEPARATOR SHELL

DRIVE SHIELD (R.H. REAR)
HP6847 -UN-12SEP97



HP6847

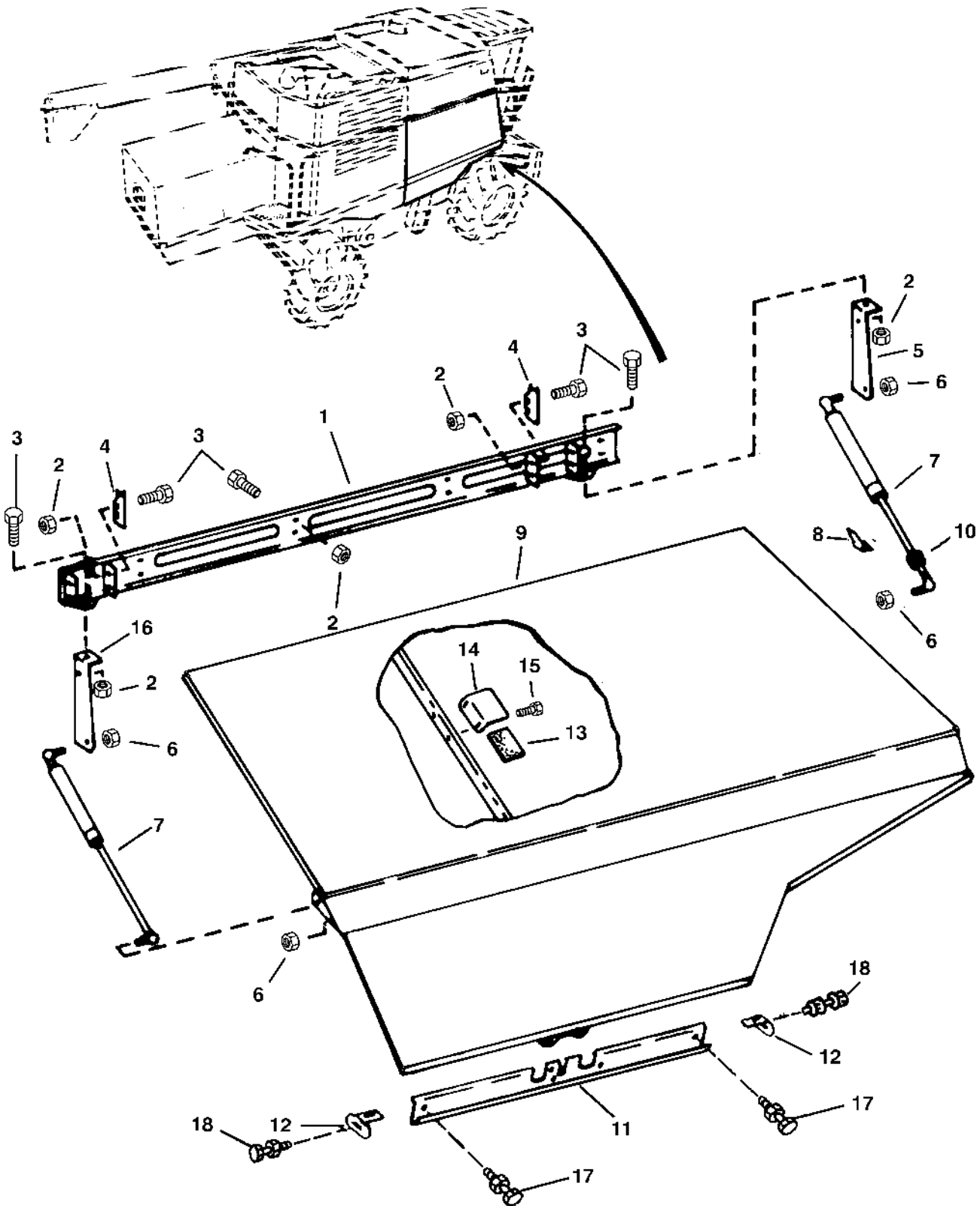
KEY	PART NO.	PART NAME	QTY	SERIAL NO.	REMARKS
1	19M7866	SCREW	2	M8 X 20	
2	H141813	BRACKET	1		
3	H130930	SPRING	1		
4	AH146361	SHIELD	1		
5	19M7785	SCREW	3	M10 X 25	
6	24M7028	WASHER	2	10.500 X 20 X 2 MM	
7	14M7400	LOCK NUT	1	M10	
8	14M7296	FLANGE NUT	1	M10	
9	14M7298	FLANGE NUT	2	M8	
..	H147137	SHIELD	1		RUBBER SHIELD (FOR USE IN CORN) ALSO REQUIRES (7) 19M7775, (7) 24M7207 AND (7) 14M7303

MEMORANDA

3C20

SEPARATOR SHELL

R.H. SERVICE ACCESS SHIELD
HP6848 -UN-29AUG97



HP6848

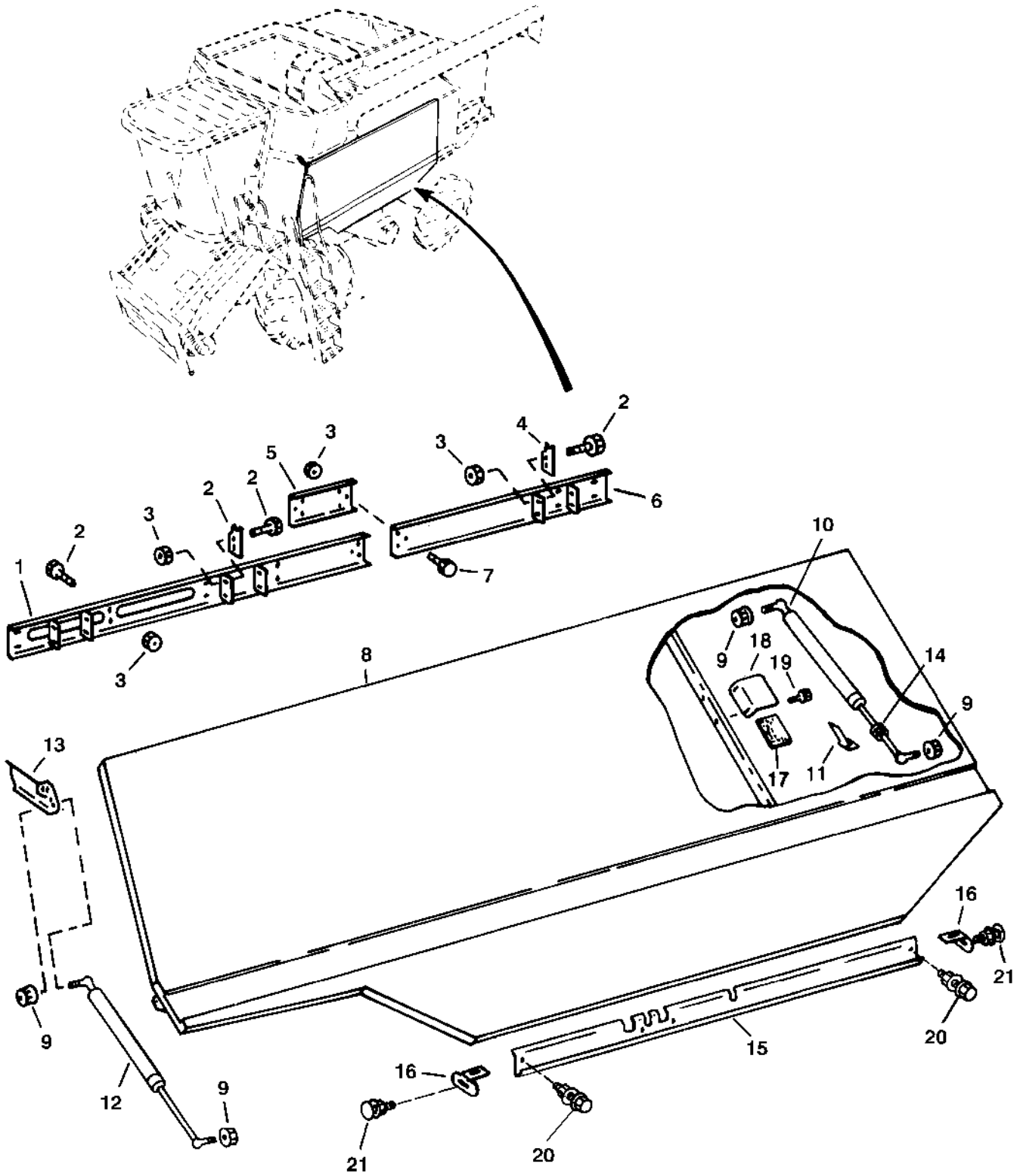
R.H. SERVICE ACCESS SHIELD - CONTINUED

KEY	PART NO.	PART NAME	QTY	SERIAL NO.	REMARKS
1	AH166713	CHANNEL	1	(SUB FOR AH125306)	
2	14M7296	FLANGE NUT	10	M10	
3	19M7784	SCREW	10	M10 X 20	
4	H125537	PLATE	2		
5	H139056	BRACKET	1		
6	14M7298	FLANGE NUT	4	M8	
7	AH128596	GAS OPERATED CYLINDER	2		
8	H135965	STOP	1		
9	AH151894	DOOR	1	R.H. FRONT	
10	M68701	GROMMET	1		
11	H152048	DEFLECTOR	1		
12	H132822	ANGLE	2		
13	H143453	FOAM PAD	2		
14	H143454	BRACKET	2		
15	37M7083	SCREW	4	M8 X 12	
16	H129833	BRACKET	1		
17	19M7865	SCREW	2	M8 X 16	
	14M7298	FLANGE NUT	2	M8	
18	03M7183	BOLT	2	M8 X 16	
	14M7298	FLANGE NUT	2	M8	

3C22

SEPARATOR SHELL

L.H. SERVICE ACCESS SHIELD
HP6849 -UN-12SEP97



HP6849

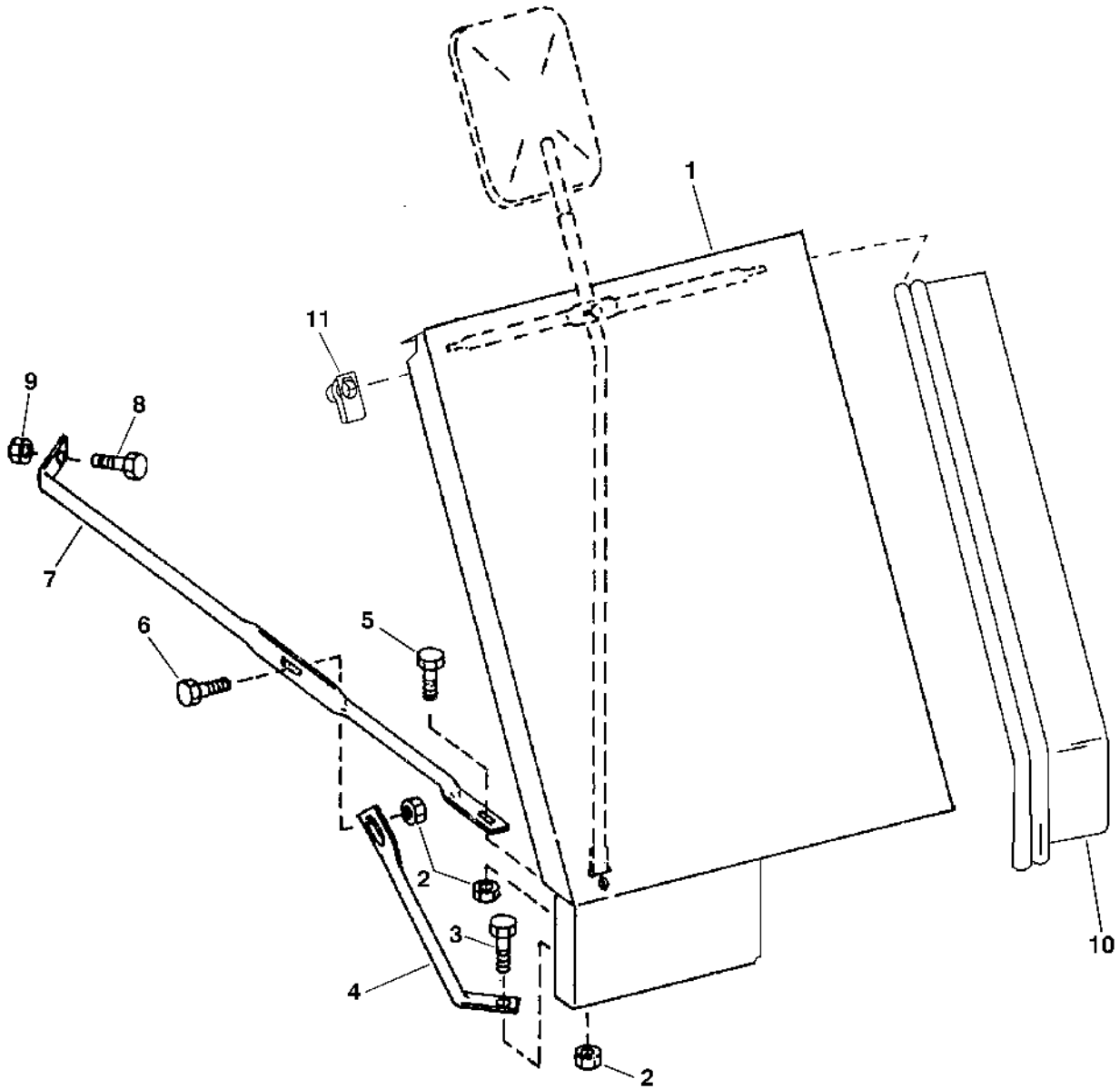
L.H. SERVICE ACCESS SHIELD - CONTINUED

KEY	PART NO.	PART NAME	QTY	SERIAL NO.	REMARKS
1	AH166714	CHANNEL	1	(SUB FOR AH125478)	
2	19M7785	SCREW	12	M10 X 25	
3	14M7296	FLANGE NUT	18	M10	
4	H125537	PLATE	2		
5	H132008	CHANNEL	1		
6	AH127275	CHANNEL	1		
7	19M7784	SCREW	6	M10 X 20	
8	AH127704	DOOR	1		
9	14M7298	FLANGE NUT	4	M8	
10	AH128598	GAS OPERATED CYLINDER	1	REAR	
11	H135965	STOP	1		
12	AH128597	GAS OPERATED CYLINDER	1	FRONT	
13	H127677	BRACKET	1		
14	M68701	GROMMET	1		
15	H152047	DEFLECTOR	1		
16	H132822	ANGLE	2		
17	H143453	FOAM PAD	3		
18	H143454	BRACKET	3		
19	37M7083	SCREW	6	M8 X 12	
20	19M7865	SCREW	2	M8 X 16	
	14M7298	FLANGE NUT	2	M8	
21	03M7183	BOLT	2	M8 X 16	
	14M7298	FLANGE NUT	2	M8	

3C24

SEPARATOR SHELL

FRONT CORNER SHEET, RIGHT HAND
HP7136 -UN-09OCT97



HP7136

3C25

SEPARATOR SHELL

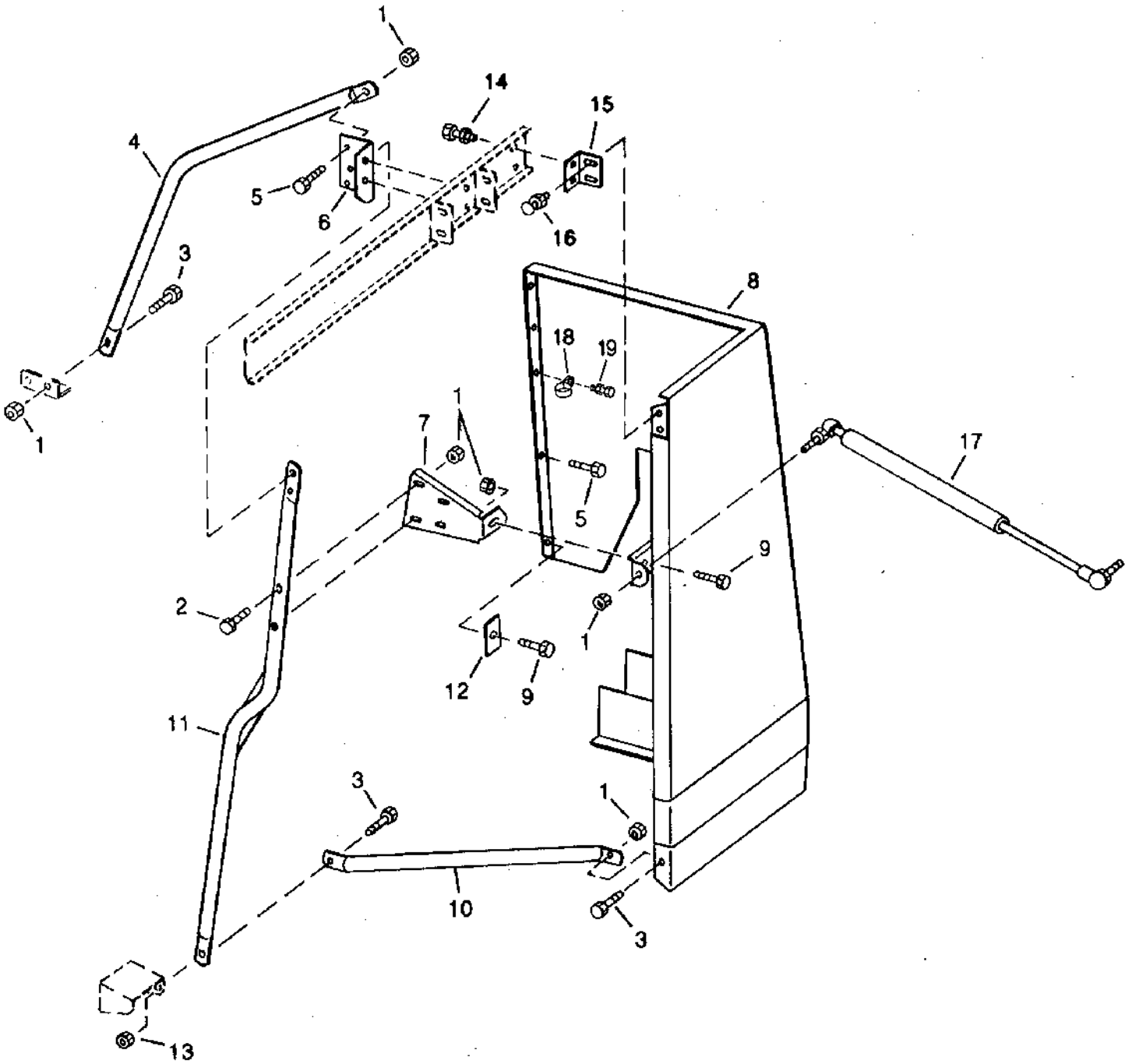
FRONT CORNER SHEET, RIGHT HAND - CONTINUED

KEY	PART NO.	PART NAME	QTY	SERIAL NO.	REMARKS
1	AH147092	PANEL	1		
2	14M7298	FLANGE NUT	5	M8	
3	19M7866	SCREW	4	M8 X 20	
4	H127410	BRACE	1		
5	19M7865	SCREW	1	M8 X 16	
6	19M7867	SCREW	1	M8 X 25	
7	H127408	BRACE	1		
8	19M7785	SCREW	1	M10 X 25	
9	14M7296	FLANGE NUT	1	M10	
10	AH139393	SEAL	1		
11	H137447	NUT	1		

3D1

SEPARATOR SHELL

REAR CORNER SHEET, LEFT HAND
HP7511 -UN-20MAY98



HP7511

3D2

SEPARATOR SHELL

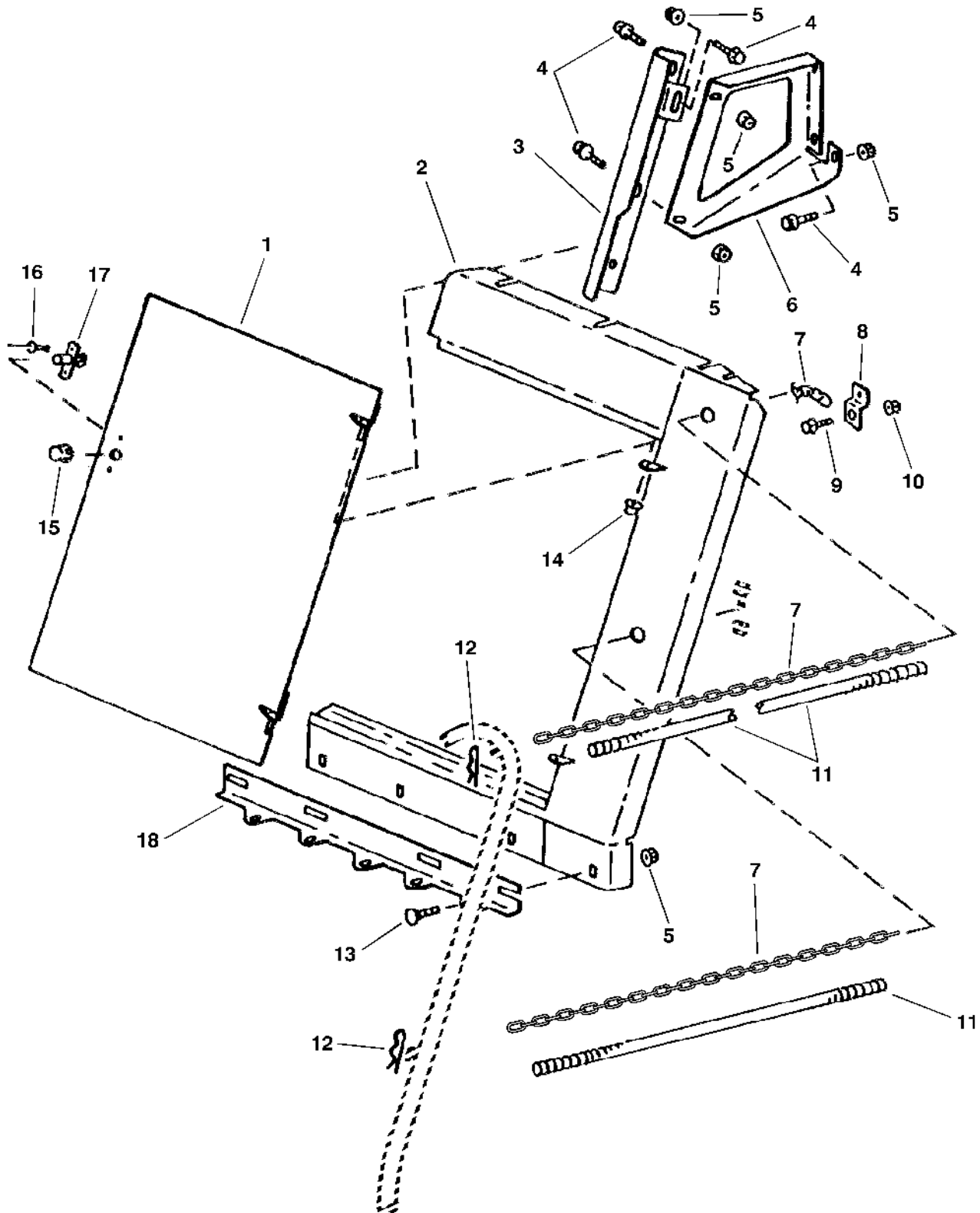
REAR CORNER SHEET, LEFT HAND - CONTINUED

KEY	PART NO.	PART NAME	QTY	SERIAL NO.	REMARKS
1	14M7298	FLANGE NUT	6	M8	
2	19M8317	SCREW	2	M8 X 40	
	19M8318	SCREW	2	M8 X 45	
3	19M7868	SCREW	3	M8 X 30	
4	H140858	SUPPORT	1		
5	19M7866	SCREW	6	M8 X 20	
6	H131543	BRACKET	1		
7	H144029	BRACKET	1		
8	AH156126	PANEL	1		
9	19M7867	SCREW	6	M8 X 25	
10	H132949	BRACE	1		
11	AH137807	BRACE	1		
12	H137534	STRAP	5		
13	14M7396	LOCK NUT	1	M8	
14	19M7785	SCREW	2	M10 X 25	
	14M7296	FLANGE NUT	2	M10	
15	H126672	BRACKET	1		
16	19M7785	SCREW	2		
	14M7296	FLANGE NUT	2		
17	AH128597	GAS OPERATED CYLINDER	1		(FRONT)
	AH128598	GAS OPERATED CYLINDER	1		(REAR)
18	AH89557	CLIP	1	-675511	
19	19M7865	SCREW	1		M8 X 16
	14M7298	FLANGE NUT	1		M8

3D3

SEPARATOR SHELL

L.H. FRONT CORNER SHEET AND DOOR
HP6985 -UN-12SEP97



HP6985

3D4

SEPARATOR SHELL

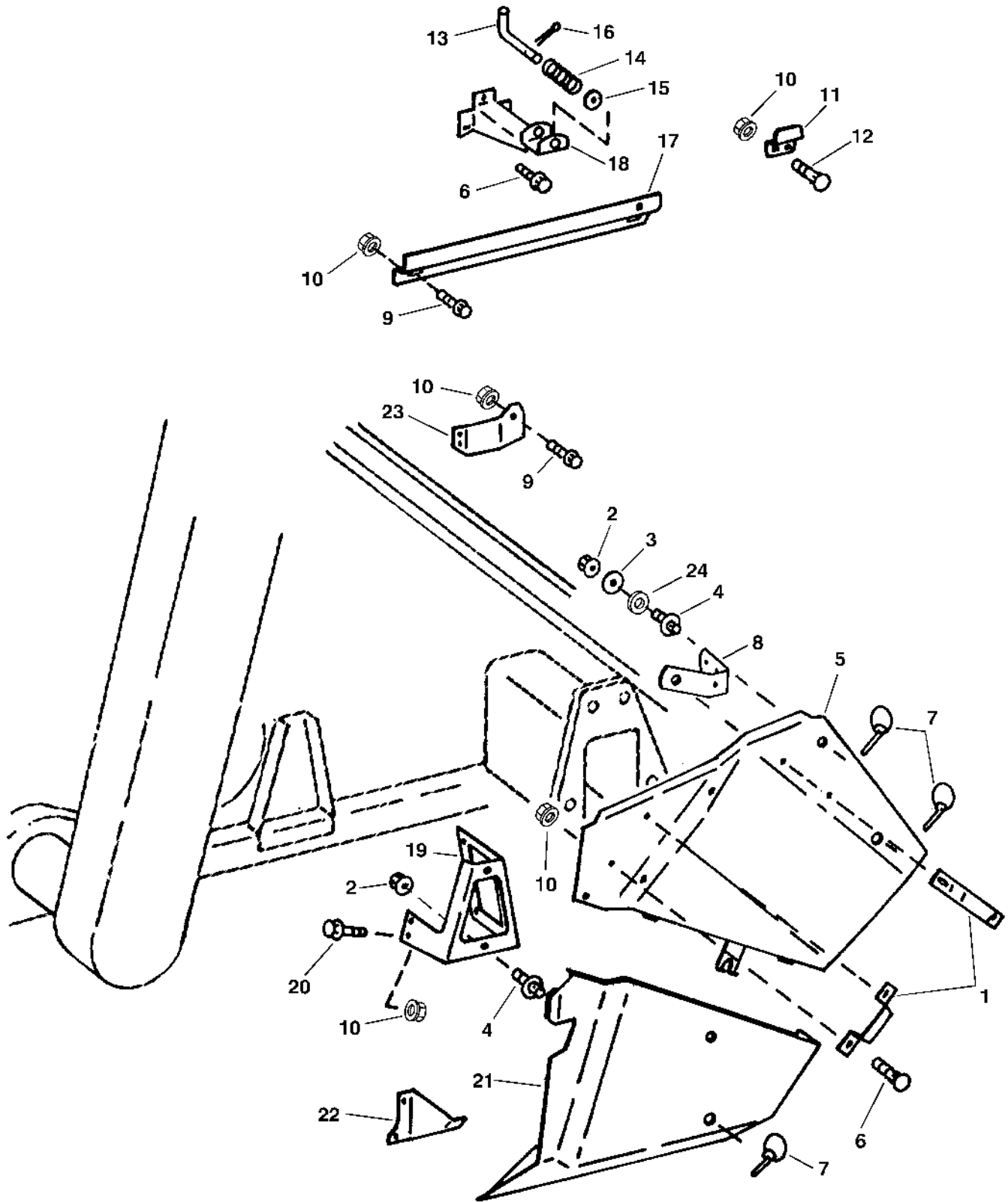
LEFT - HAND FRONT CORNER SHEET AND DOOR - CONTINUED

KEY	PART NO.	PART NAME	QTY	SERIAL NO.	REMARKS
1	AH125641	DOOR	1		
2	AH141743	PANEL	1		
3	H130364	ANGLE	1		
4	19M7865	SCREW	9	M8 X 16	
5	14M7298	FLANGE NUT	10	M8	
6	H130363	BRACKET	1		
7	AH146041	SAFETY CHAIN	2	34 LINKS	
8	H131628	BRACKET	1		
9	19M7775	SCREW	1	M6 X 16	
10	14M7303	FLANGE NUT	1	M6	
11	AH146041	SAFETY CHAIN	2		
12	B32630	SPRING LOCKING PIN	2		
13	03M7183	BOLT	4	M8 X 16	
14	H120499	NUT	2	6 MM	
15	H121391	KNOB	1		
16	H64584	RIVET	1		
17	AH125644	LATCH	1		
18	H130362	ANGLE	1		

3D5

SEPARATOR SHELL

MUD SHIELDS (R.H. SIDE)
HP7231 -UN-02APR98



HP7231

3D6

SEPARATOR SHELL

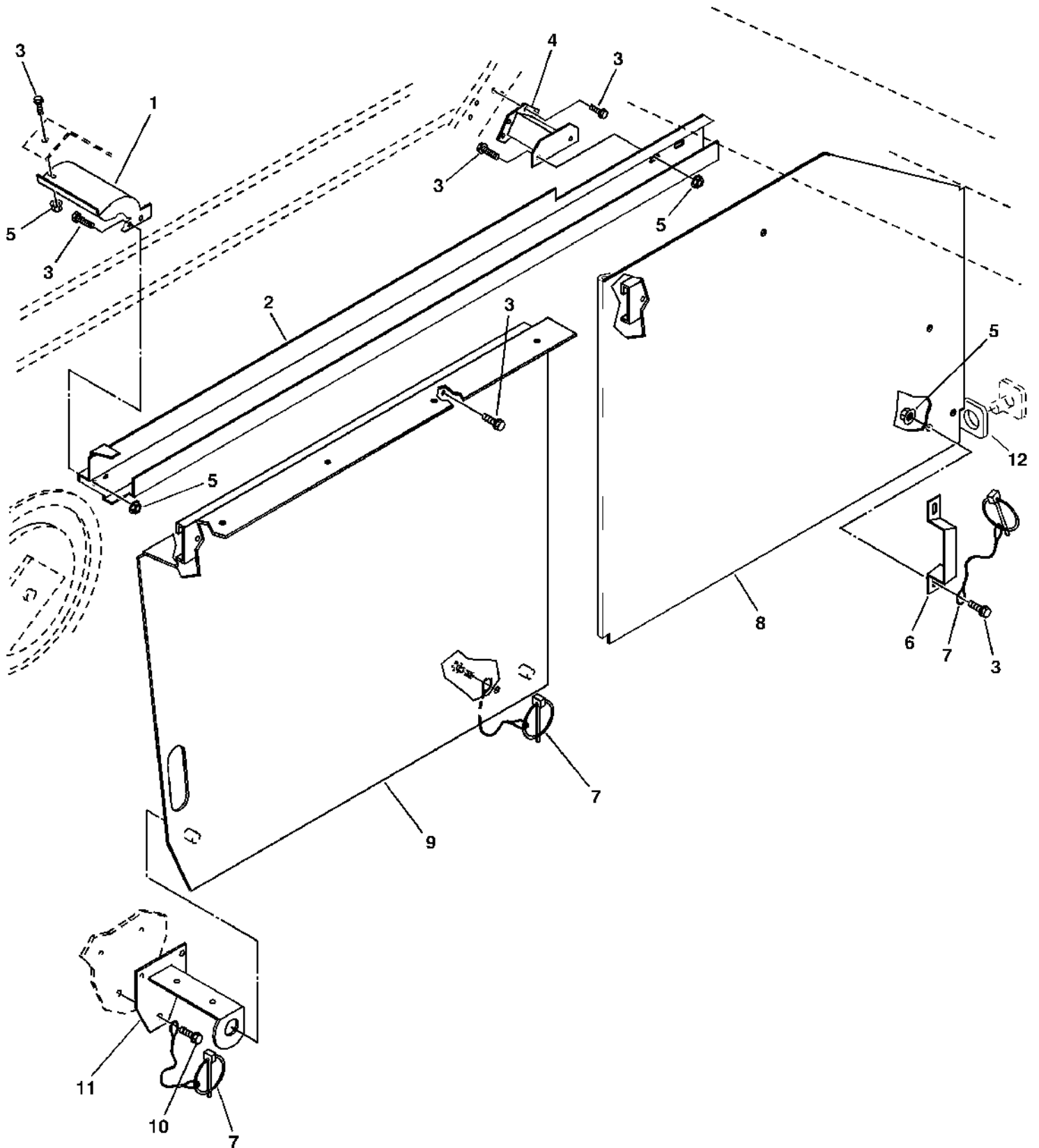
MUD SHIELDS (R.H. SIDE) - CONTINUED

KEY	PART NO.	PART NAME	QTY	SERIAL NO.	REMARKS
1	H85184	HANDLE	2		
2	14M7296	FLANGE NUT	3	M10	
3	24M7178	WASHER	1	10.500 X 30 X 2.500 MM	
4	H130636	STUD	3		
5	AH126620	SHIELD	1		
6	03M7183	BOLT	4	M8 X 16	
7	M72598	QUICK LOCK PIN	3		
8	H141979	BRACKET	1		
9	19M7865	SCREW	2	M8 X 16	
10	14M7298	FLANGE NUT	11	M8, CENTER	
11	H127732	GUIDE	1	FAN DRIVE	
12	03M7184	BOLT	2	M8 X 20	
13	H150746	PIN	1		
14	HZ5621H	SPRING	1		
15	24H1305	WASHER	1	13/32" X 13/16" X 0.065"	
16	11M1383	COTTER PIN	1	FRONT	
17	H152135	GUIDE	1		
18	AH136285	BRACKET	1		
19	H146757	BRACKET	1		
20	19M7866	SCREW	2	M8 X 20	
21	AH126352	SHIELD	1		
22	H131876	BRACKET	1		
23	AH155669	BRACKET	1		
24	24H1314	WASHER	2		

3D7

SEPARATOR SHELL

LEFT SIDE FRONT SHIELD
HP7403 -UN-11FEB98



HP7403

3D8

SEPARATOR SHELL

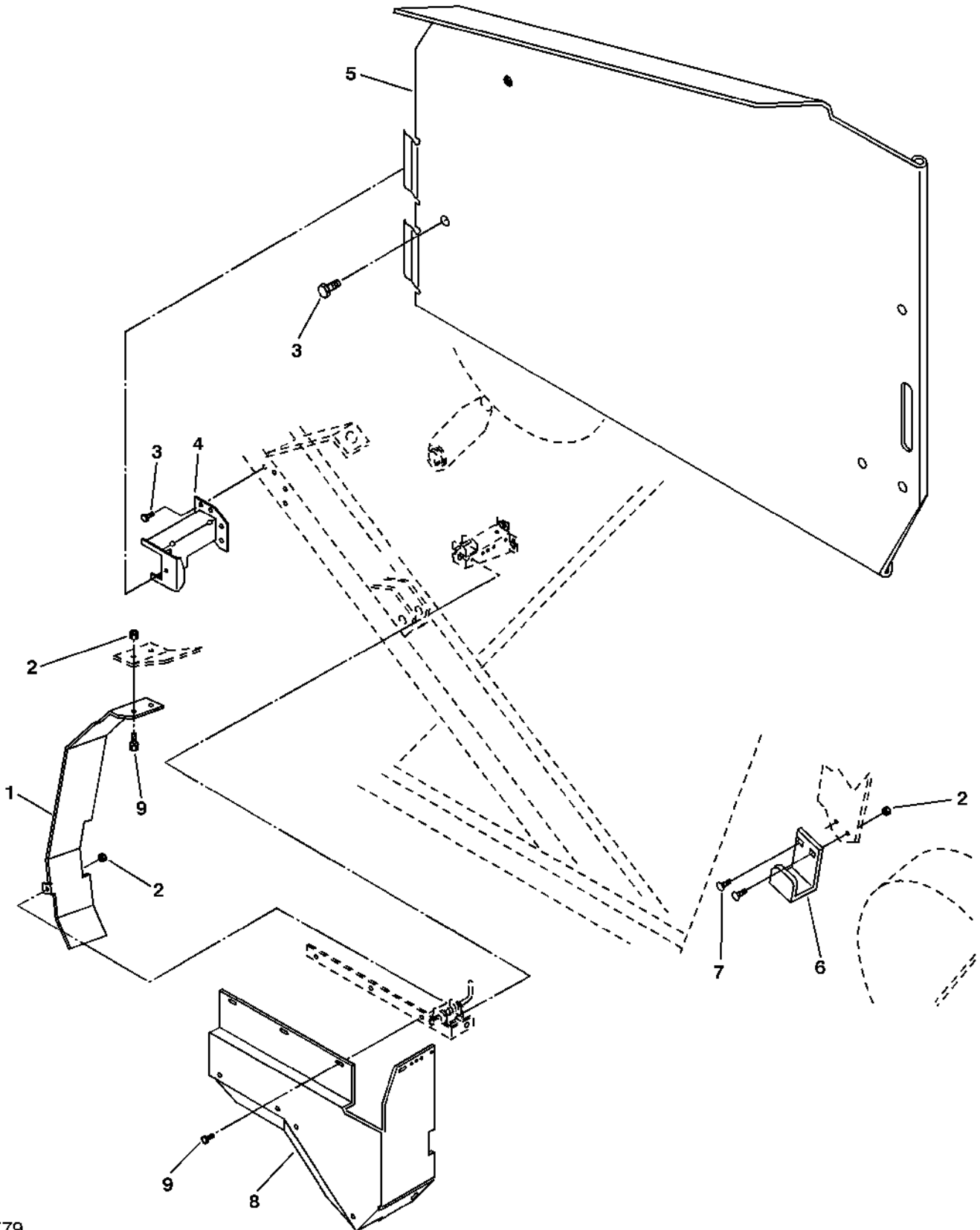
LEFT SIDE FRONT SHIELD - CONTINUED

KEY	PART NO.	PART NAME	QTY	SERIAL NO.	REMARKS
1	AH151344	BRACKET	1		
2	AH151346	CHANNEL	1		
3	19M7865	SCREW	10	M8 X 16	
4	AH151339	BRACKET	1		
5	14M7298	FLANGE NUT	8	M8	
6	H85184	HANDLE	1		
7	AH135290	QUICK LOCK PIN	3		
8	AH158151	SHIELD	1	L.H. REAR UPPER	
9	AH151340	SHIELD	1		
10	37M7058	SCREW	3	M8 X 20	
11	AH151338	BRACKET	1		
12	H164508	ANGLE	1	SHIELD CLOSURE	

3D9

SEPARATOR SHELL

RIGHT SIDE FRONT SHIELD ASSEMBLY
HP6779 -UN-18AUG97



HP6779

3D10

SEPARATOR SHELL

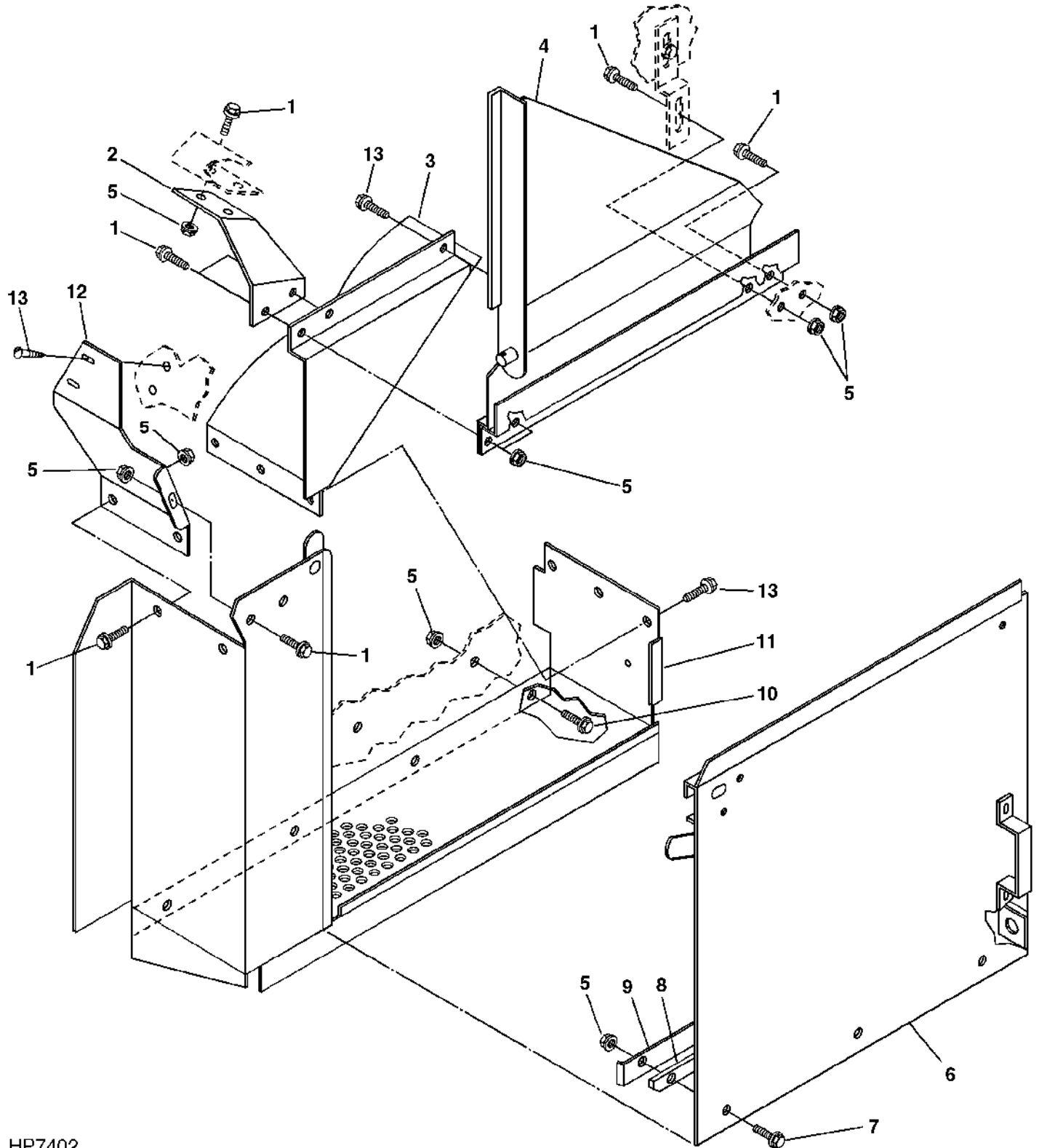
RIGHT SIDE FRONT SHIELD ASSEMBLY - CONTINUED

KEY	PART NO.	PART NAME	QTY	SERIAL NO.	REMARKS
1	H160978	SHIELD	1		
2	14M7298	FLANGE NUT	5	M8	
3	19M7865	SCREW	6	M8 X 16	
4	AH151352	BRACKET	1		
5	AH151349	SHIELD	1		
6	H160187	GUIDE	1		
7	03M7184	BOLT	2	M8 X 20	
8	AH154567	SHIELD	1		
9	19M7866	SCREW	3	M8 X 20	

3D11

SEPARATOR SHELL

LEFT SIDE SHIELD ASSEMBLY
HP7402 -UN-04FEB98



HP7402

3D12

SEPARATOR SHELL

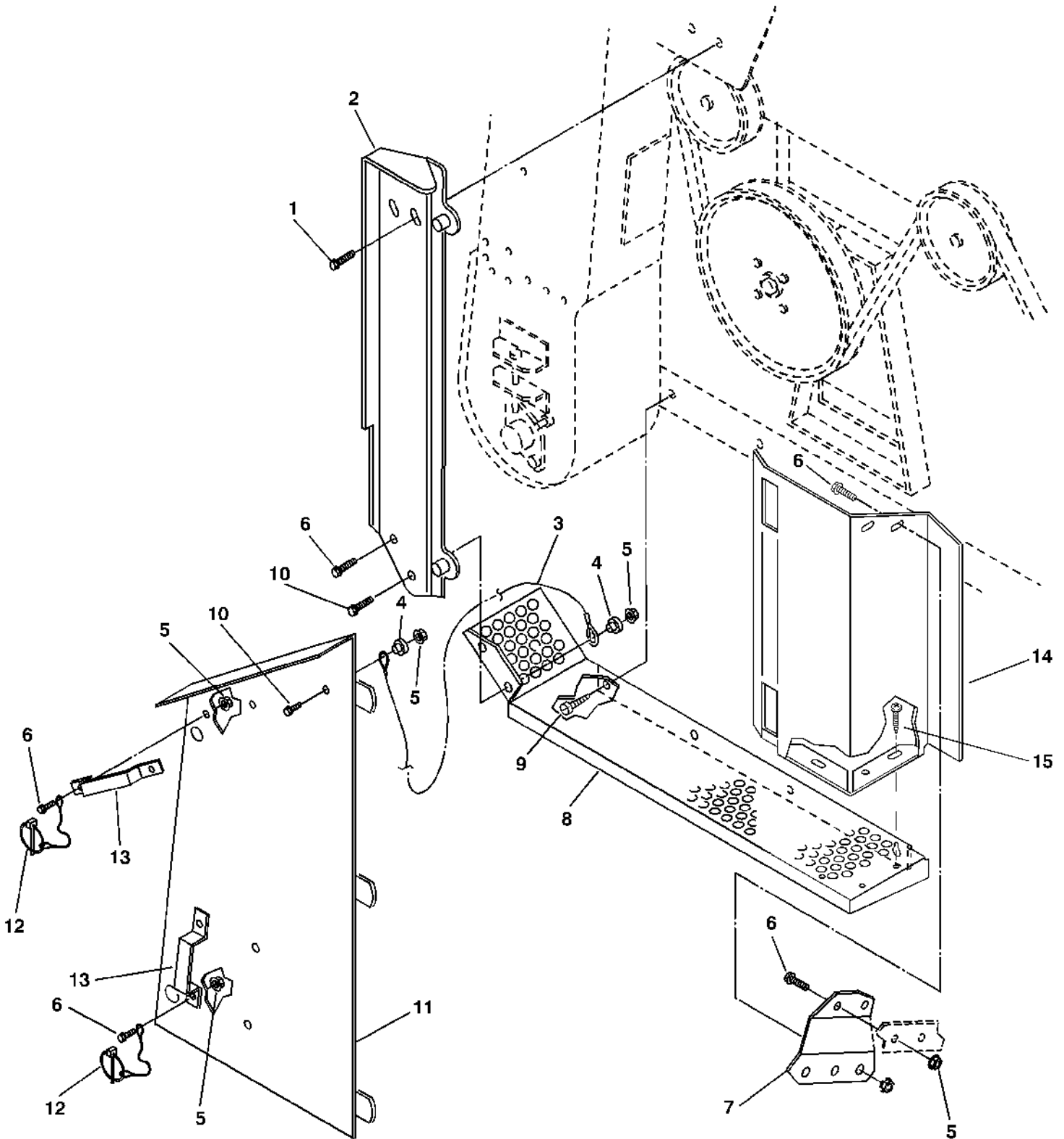
LEFT SIDE SHIELD ASSEMBLY - CONTINUED

KEY	PART NO.	PART NAME	QTY	SERIAL NO.	REMARKS
1	19M7865	SCREW	13		
2	H158614	BRACKET	1		M8 X 16
3	H158633	SHIELD	1		
4	AH151347	SUPPORT	1		
5	14M7298	FLANGE NUT	21		M8
6	AH151342	SHIELD	1		
7	19M7866	SCREW	3		M8 X 20
8	H160733	STRIP	1		
9	H158627	CHANNEL	1		
10	37M7086	SCREW	4		M10 X 20
11	AH151343	SHIELD	1		
12	H158616	SHIELD	1		
13	37M7058	SCREW	6		M8 X 20

3D13

SEPARATOR SHELL

RIGHT SIDE SHIELD ASSEMBLY
HP7407 -UN-04FEB98



HP7407

3D14

SEPARATOR SHELL

RIGHT SIDE SHIELD ASSEMBLY - CONTINUED

KEY	PART NO.	PART NAME	QTY	SERIAL NO.	REMARKS
1	19M7866	SCREW	2		
2	AH151351	SHIELD	1		
3	AH151353	CABLE	1		
4	M93425	SPACER	2		
5	14M7298	FLANGE NUT	9	M8	
6	19M7865	SCREW	7	M8 X 16	
7	H158646	SHIELD	1		
8	AH159061	SHIELD	1		R.H. LOWER
9	37M7086	SCREW	4	M10 X 20	
10	19M7868	SCREW	1	M8 X 30	
11	AH154401	SHIELD	1		
12	AH135290	QUICK LOCK PIN	2		
13	H85184	HANDLE	2		
14	H165320	SHIELD	1		R.H.
15	37M7058	SCREW	3	M8 X 20	

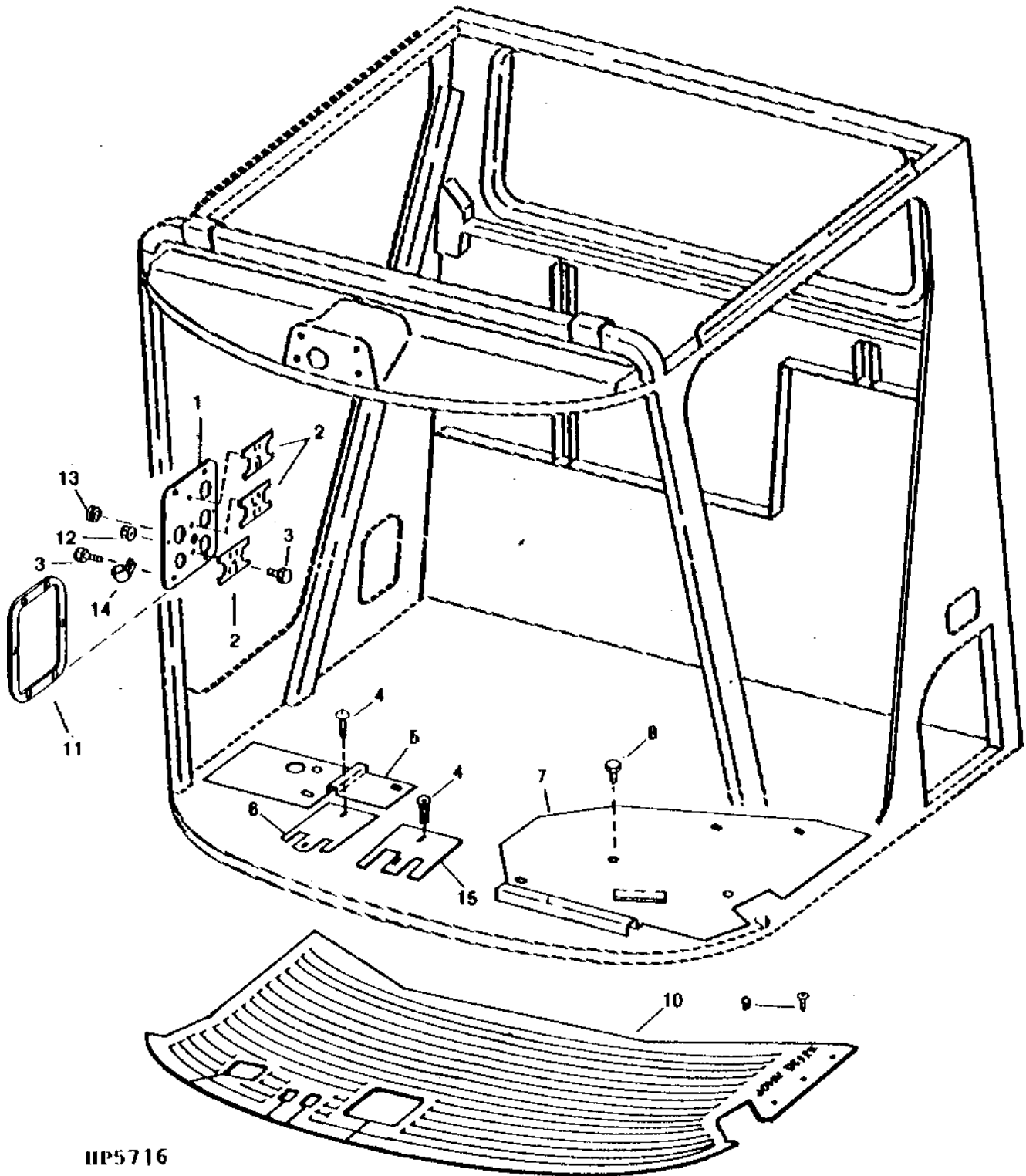
MEMORANDA

MEMORANDA

3D17

OPERATORS STATION

CAB PANELS AND FLOOR MAT
HP5716 -UN-01JAN94



HP5716

3D18

OPERATORS STATION

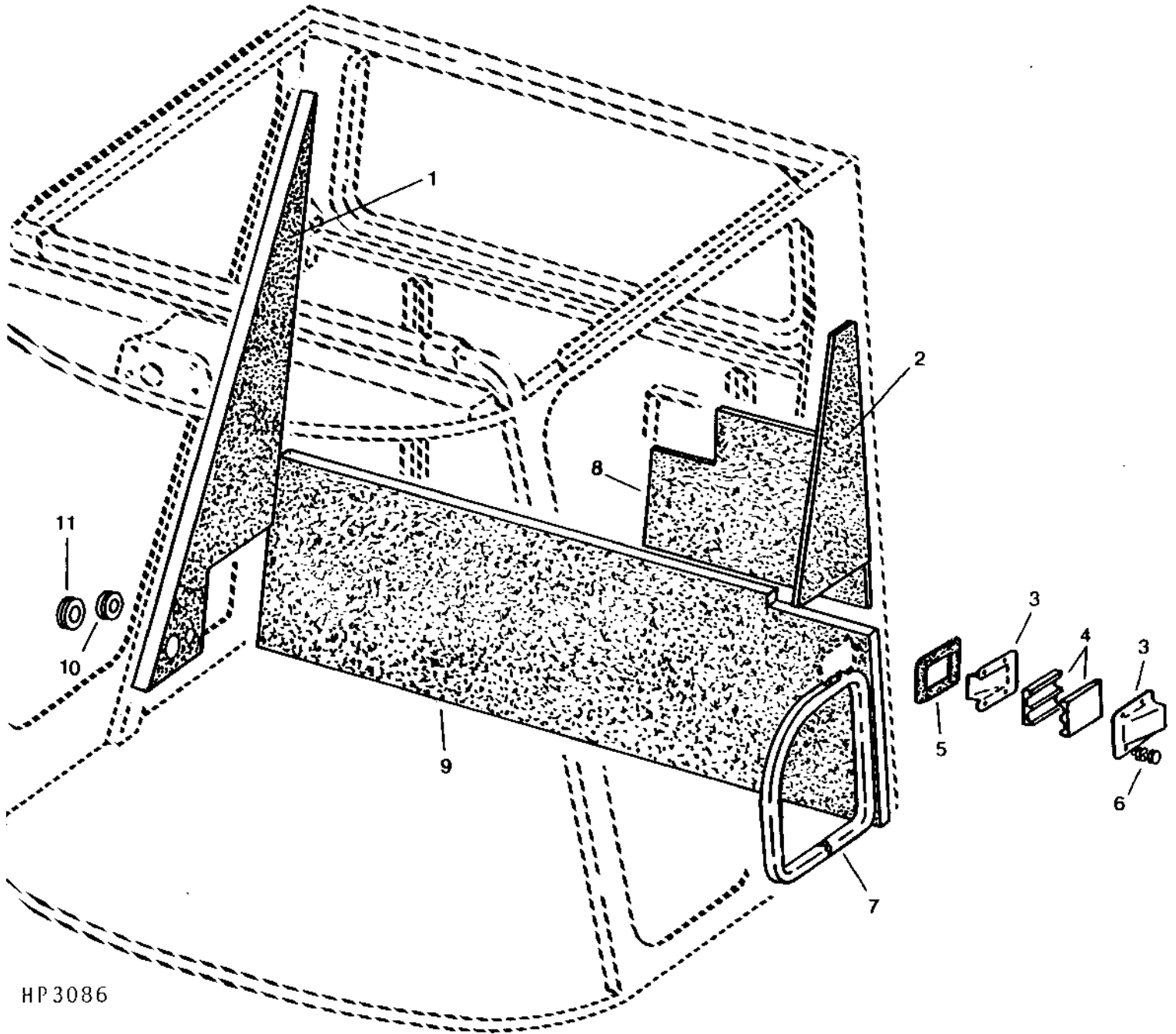
CAB PANELS AND FLOOR MAT - CONTINUED

KEY	PART NO.	PART NAME	QTY	SERIAL NO.	REMARKS
1	H131298	PLATE	1		
2	H131299	PLATE	3		
3	19M7775	SCREW	9		M6 X 16
4	37M7071	SCREW	4		R.H.
5	H133665	SHEET	1		
6	H124260	PLATE	1		L.H.
7	H133666	SHEET	1		
8	37M7089	SCREW	7		M6 X 12
9	37M7109	SCREW	3		
10	AH159079	MAT	1		(SUB FOR AH128349)
11	H131301	SEAL	1		
12	14M7303	FLANGE NUT	3		M6
13	H131300	GROMMET	1		
14	AH89557	CLIP	1		(SUB AH90990)
	AH90990	CLIP	1		
15	H141292	PLATE	1		

3D19

OPERATORS STATION

CAB SOUND DEADENING, FOAM AND SEALS
HP3086 -UN-01JAN94



HP 3086

3D20

OPERATORS STATION

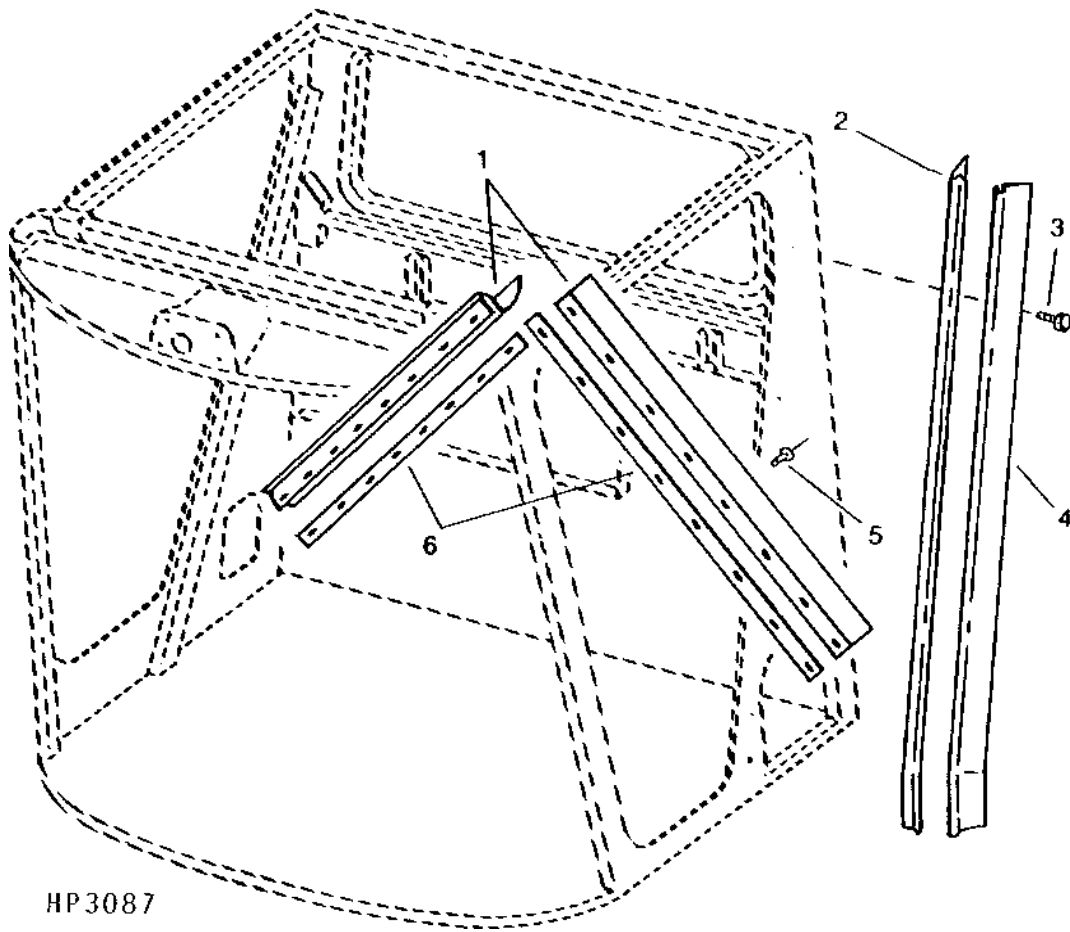
CAB SOUND DEADENING, FOAM AND SEALS - CONTINUED

KEY	PART NO.	PART NAME	QTY	SERIAL NO.	REMARKS
1	H125511	FOAM PAD	1		
2	AH127674	BARRIER	1		L.H.
3	H129606	RETAINER	2		
4	H114523	SEAL	2		
5	H114525	GASKET	1		
6	37M7090	SCREW	4		M6 X 16
7	AH80335	WEATHERSTRIP	1		
8	AH149631	BARRIER	1		REAR
9	AH149374	BARRIER	1		L.H.
	AH149373	BARRIER	1		R.H.
10	R50456	GROMMET	1		
11	H36221	GROMMET	1		

3D21

OPERATORS STATION

CAB REAR AND SIDE SEALS
HP3087 -UN-01JAN94



3D22

OPERATORS STATION

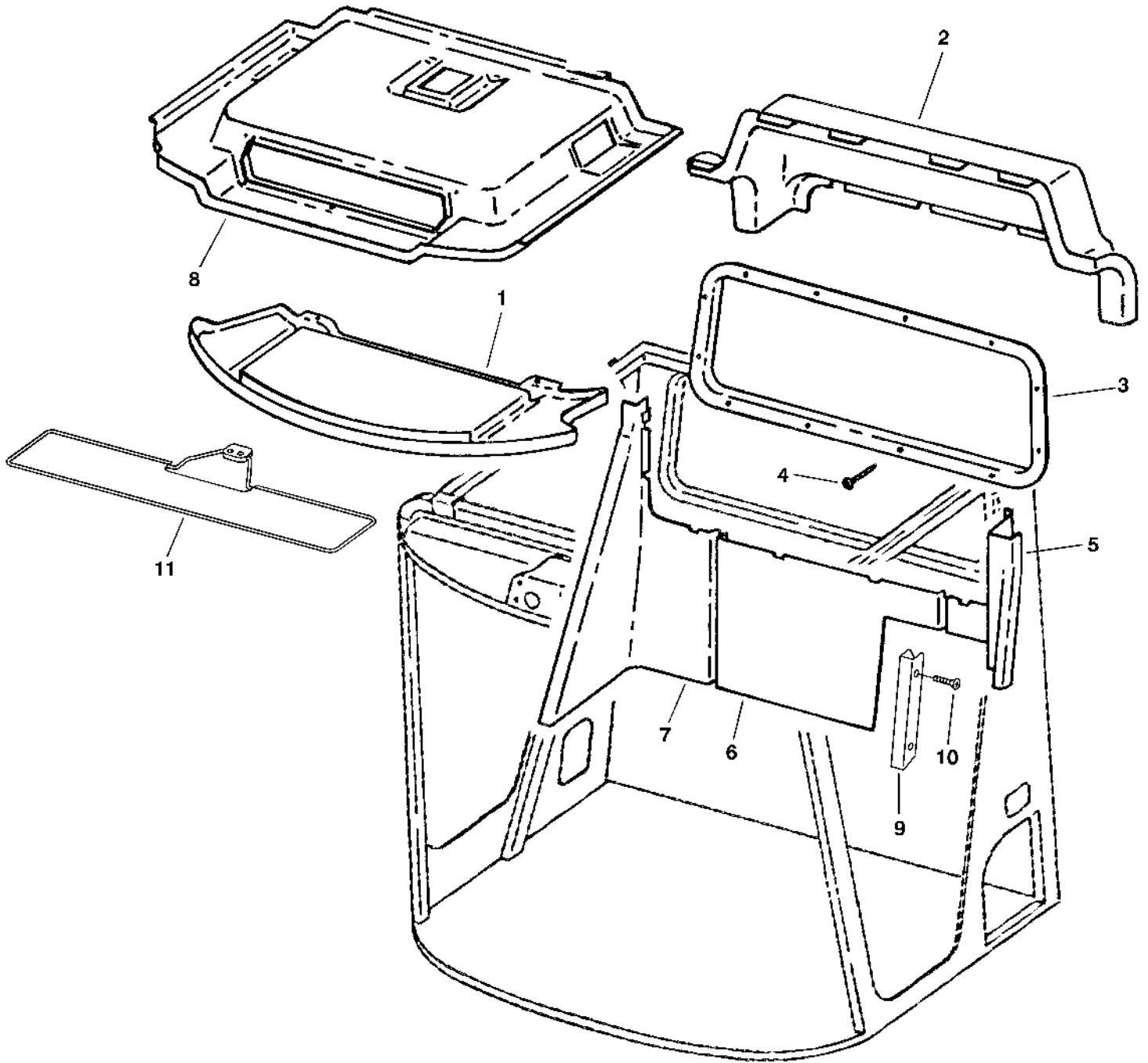
CAB REAR AND SIDE SEALS - CONTINUED

KEY	PART NO.	PART NAME	QTY	SERIAL NO.	REMARKS
1	H135614	SEAL	2		
2	H133391	BRACKET	1		
3	37M7089	SCREW	8	M6 X 12	
4	AH141774	SEAL	1		
5	H85233	RIVET	16		
6	H135615	RETAINER	2		

3D23

OPERATORS STATION

CAB INTERIOR TRIM PANELS
HP6769 -UN-11JUL97

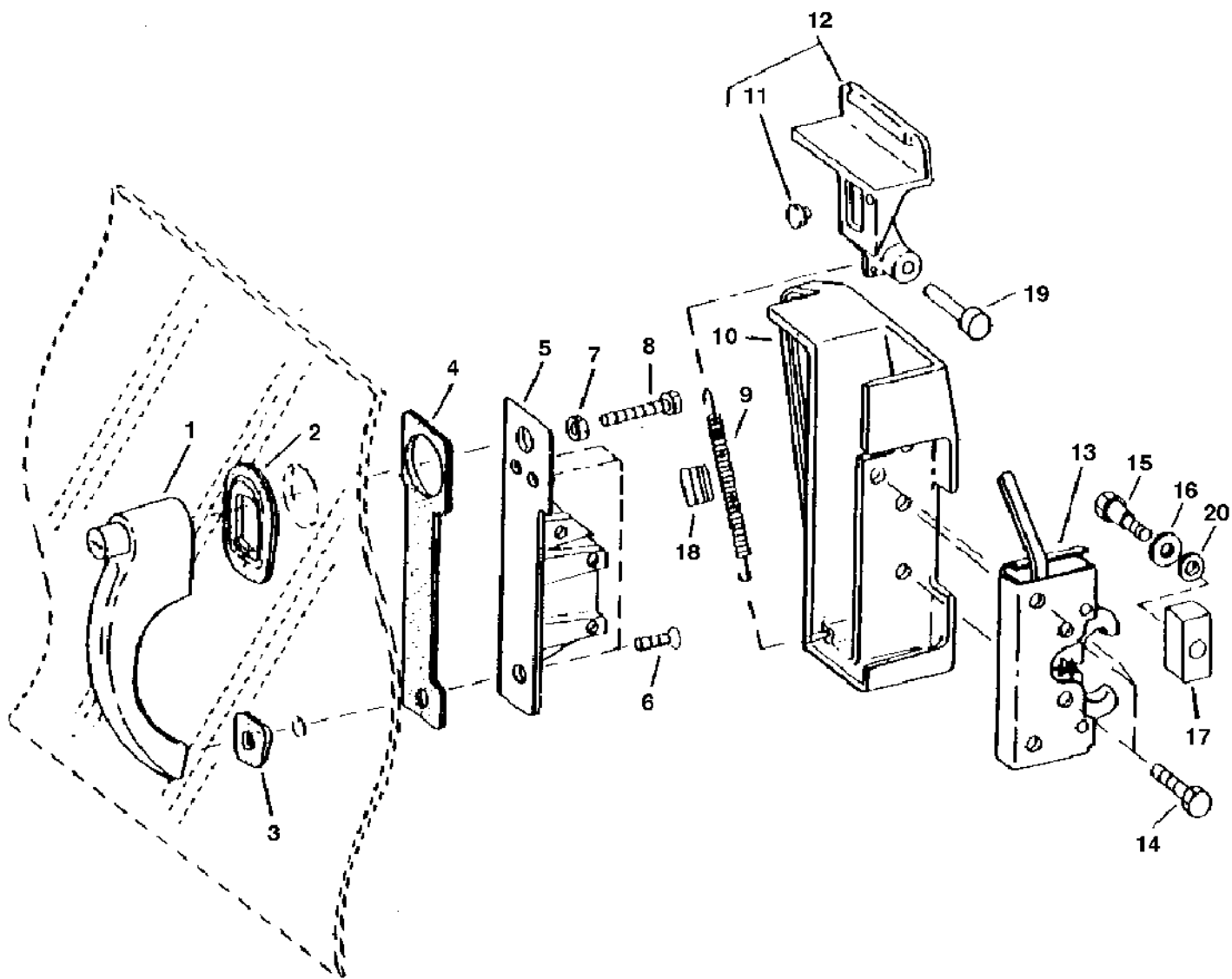


HP6769

CAB INTERIOR TRIM PANELS - CONTINUED

KEY	PART NO.	PART NAME	QTY	SERIAL NO.	REMARKS
1	AH153911	HEADLINER	1		FRONT, WITH SUN VISOR
	AH120887	HEADLINER	1		FRONT, WITHOUT SUN VISOR
2	AH149883	HEADLINER	1		REAR
3	H168431	BEZEL	1		(SUB FOR H125513) REAR
4	H119088	SCREW	12		
5	AH120891	PANEL	1		L.H.
6	AH146854	PANEL	1		REAR
7	AH120890	PANEL	1		R.H.
8	AH152873	HEADLINER	1		
9	H124210	COVER	1		
10	H132452	CAP SCREW	2		M6 X 50
11	AH151123	SUN VISOR	1		
..	AH133088	KIT	1		SERVICE KIT FOR CAB HARDWARE

CAB DOOR LATCH
HP6853 -UN-18AUG97



HP6853

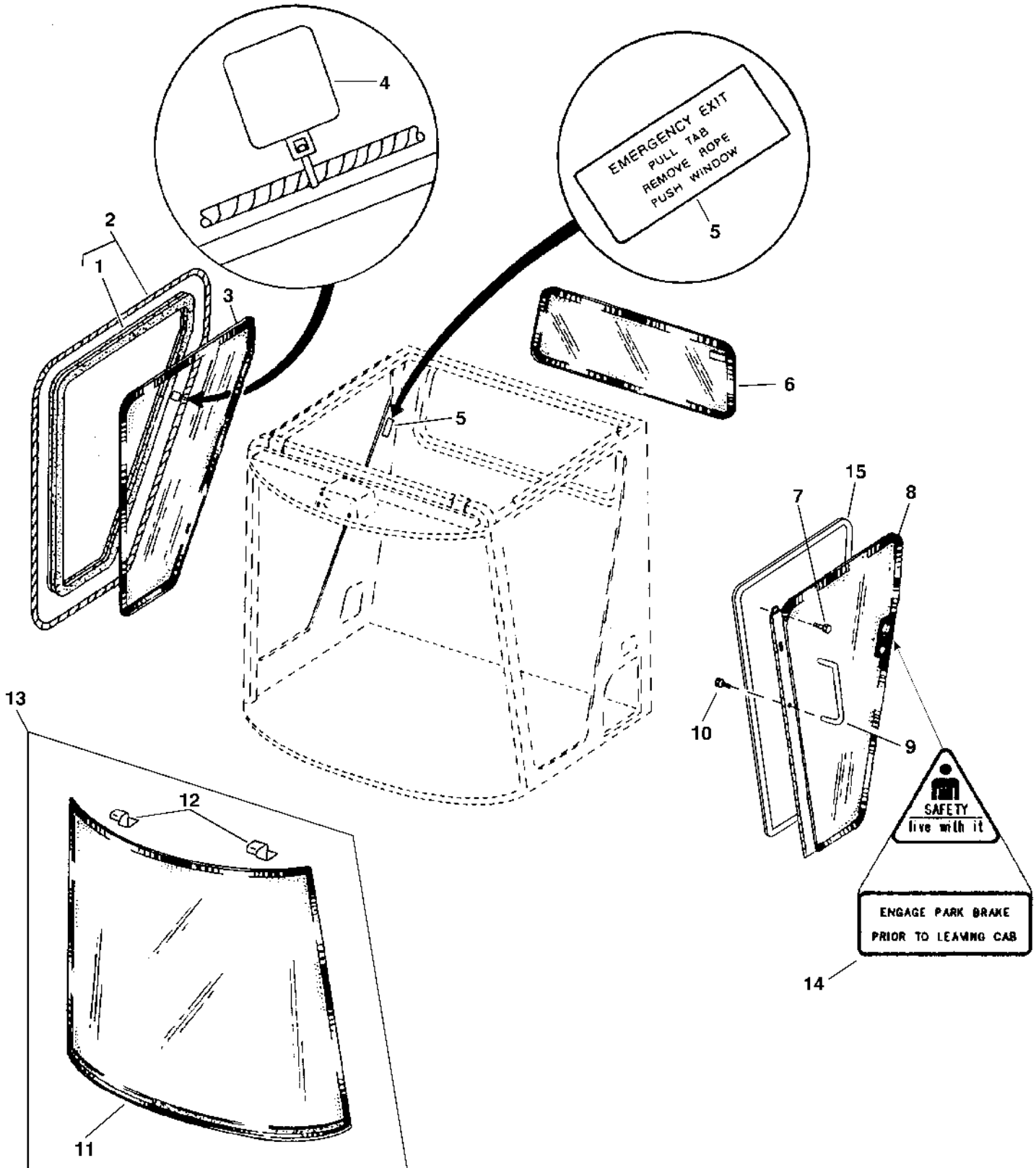
CAB DOOR LATCH - CONTINUED

KEY	PART NO.	PART NAME	QTY	SERIAL NO.	REMARKS
1	RE35161	HANDLE	1		
2	H126082	BEZEL	1		
3	H126081	BEZEL	1		
4	H126083	ISOLATOR	1		
5	H133414	SUPPORT	1		
6	21M7334	SCREW	3	M6 X 25	
7	14H786	NUT	1	1/4"	
8	19H1898	CAP SCREW	1	1/4" X 1-1/2"	
9	H134671	EXTENSION SPRING	1		
10	H150047	HOUSING	1		
11	H145893	BUMPER	1		
12	AH140838	HANDLE	1	(INCLUDES H145893 BUMPER)	
13	AH128585	LATCH	1		
14	19M8326	CAP SCREW	3	M6 X 35	
15	H136589	BOLT	1	(USE WITH H137976)	
16	24H1219	WASHER	AR	7/16" X 1" X 0.083"	
17	H133219	ADJUSTING STRAP	1		
18	H107566	ISOLATOR	1		
19	H136056	PIN	1		
20	H136590	DISK SPRING	AR	(USE WITH H137976)	
..	TY9370	ADHESIVE	1	6 OZ. MEDIUM STRENGTH - CANADA NUMBER TY9477, APPLY ON 21M7334 SCREW, THREE PLACES	

3E3

OPERATORS STATION

CAB GLASS AND DOOR
HP6854 -UN-12SEP97



HP6854

3E4

OPERATORS STATION

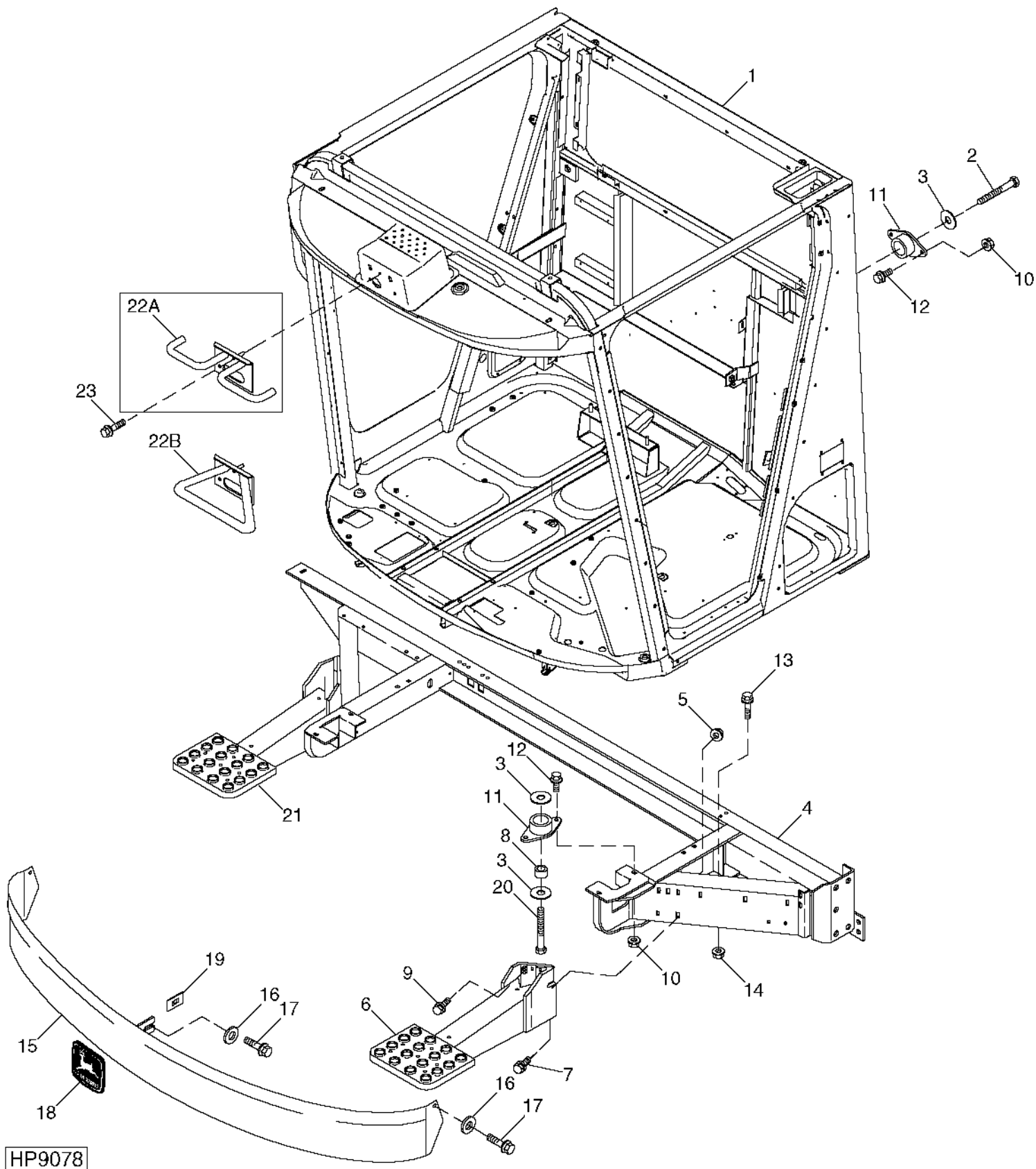
CAB GLASS AND DOOR - CONTINUED

KEY	PART NO.	PART NAME	QTY	SERIAL NO.	REMARKS
1	WEATHERSTRIP	1	(SUB AH106010)	
2	AH106010	WEATHERSTRIP	1		
3	H123794	WINDOWPANE	1		
4	H138297	TIE BAND	1		
5	H134535	LABEL	1		
6	H125769	WINDOWPANE	1		
7	37M7160	SCREW	AR	M6 X 16	
8	AH154280	DOOR	1		
9	H131720	RAIL	1		
10	19M8358	CAP SCREW	AR	M10 X 20	
11	WINDSHIELD	1	(SUB AH132117)	
12	AH132819	BRACKET	2	AVAILABLE IN AH132117 WINDSHIELD KIT ONLY	
13	AH141412	KIT	1		
	AH132117	WINDSHIELD	1	(EXPORT)	
14	H145982	LABEL	1		
15	AH80335	WEATHERSTRIP	1	CUT TO 4350MM FROM AH83825	
..	AH126265	CAB	1		
..	AH154281	DOOR	1		

3E5

OPERATORS STATION

CAB FRAME AND SUPPORT
HP9078 -UN-17SEP99



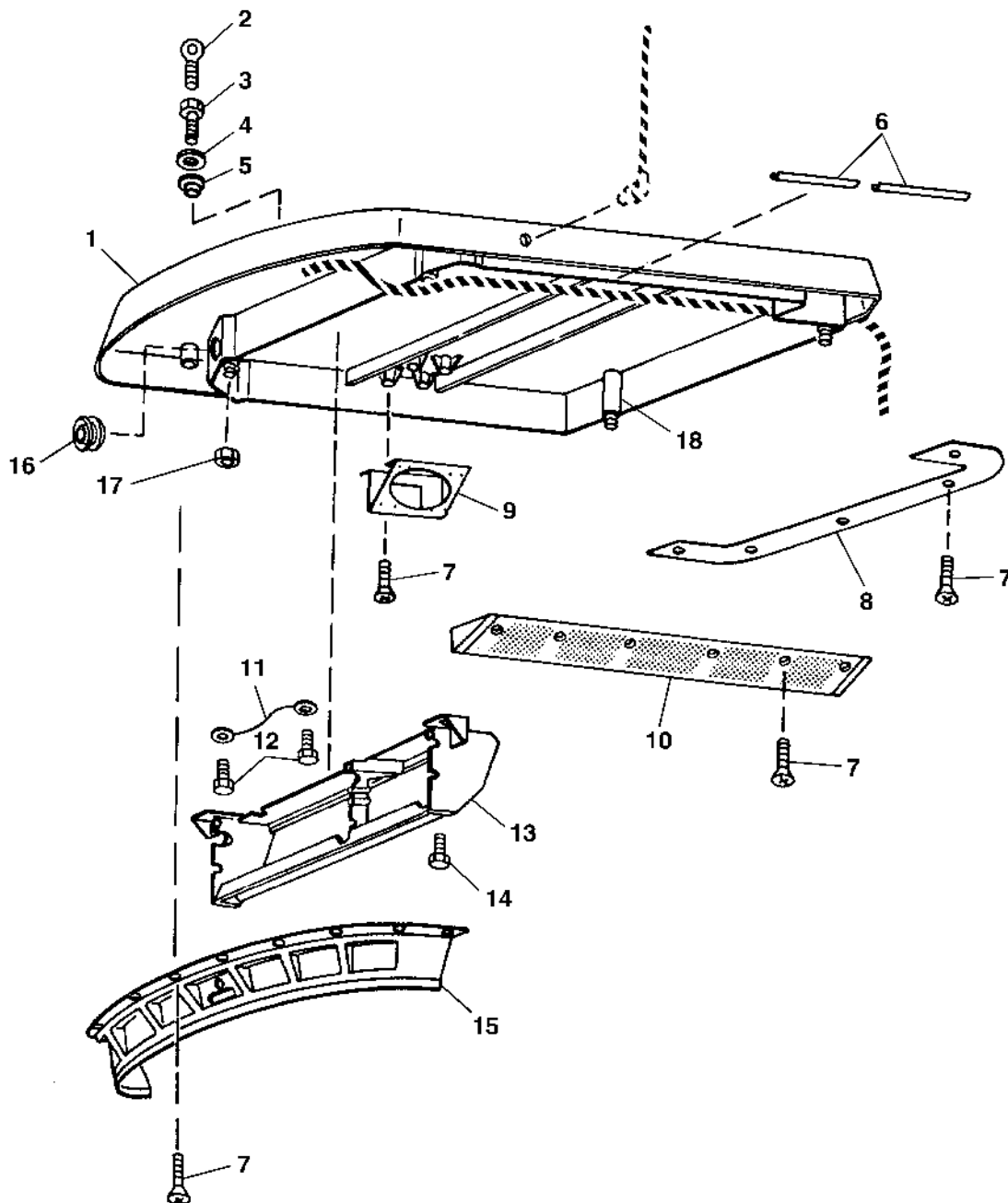
HP9078

CAB FRAME AND SUPPORT - CONTINUED

KEY	PART NO.	PART NAME	QTY	SERIAL NO.	REMARKS
1	CAB	1		
2	19M7268	CAP SCREW	2		M12 X 25 (GOES THRU ISOLATION (CAB) MOUNT)
3	24M7103	WASHER	4		17.500 X 56 X 5 MM
4	AH141161	SUPPORT	1		
5	14M7296	FLANGE NUT	3		M10
6	AH130594	STEP	1		L.H.
7	19M7785	SCREW	3		M10 X 25, TOP R.H. HOLE AND BOTTOM TWO HOLES
8	H96690	SPACER	2		16.662 X 31.750 X 28.956 MM (21/32" X 1-1/4" X 1.140")
9	19M7784	SCREW	1		M10 X 20 TOP L.H. HOLE
10	14M7299	FLANGE NUT	8		M12
11	AH108299	RUBBER MOUNT	4		
12	19M7788	SCREW	8		M12 X 25
13	19M7789	SCREW	4		M12 X 30
14	14M7299	FLANGE NUT	4		M12
15	AH132148	SHIELD	1		
16	24M7207	WASHER	3		8.400 X 24 X 2 MM
17	37M7058	SCREW	3		M8 X 20
18	H149480	LABEL	1		(USE WITH H98111) (LEAPING DEER)
19	H98111	NUT	8		4.826 MM
20	19M7546	CAP SCREW	2		M16 X 150
21	AH130595	STEP	1		R.H.
22A	AH150441	HANDLE	1		(SUB AH162746)
22B	AH162746	HANDLE	1		
23	H162748	SCREW	1		M8 X 1.25

3E7

CAB ROOF AND SUPPORTS
HP6726 -UN-22MAY97



HP6726

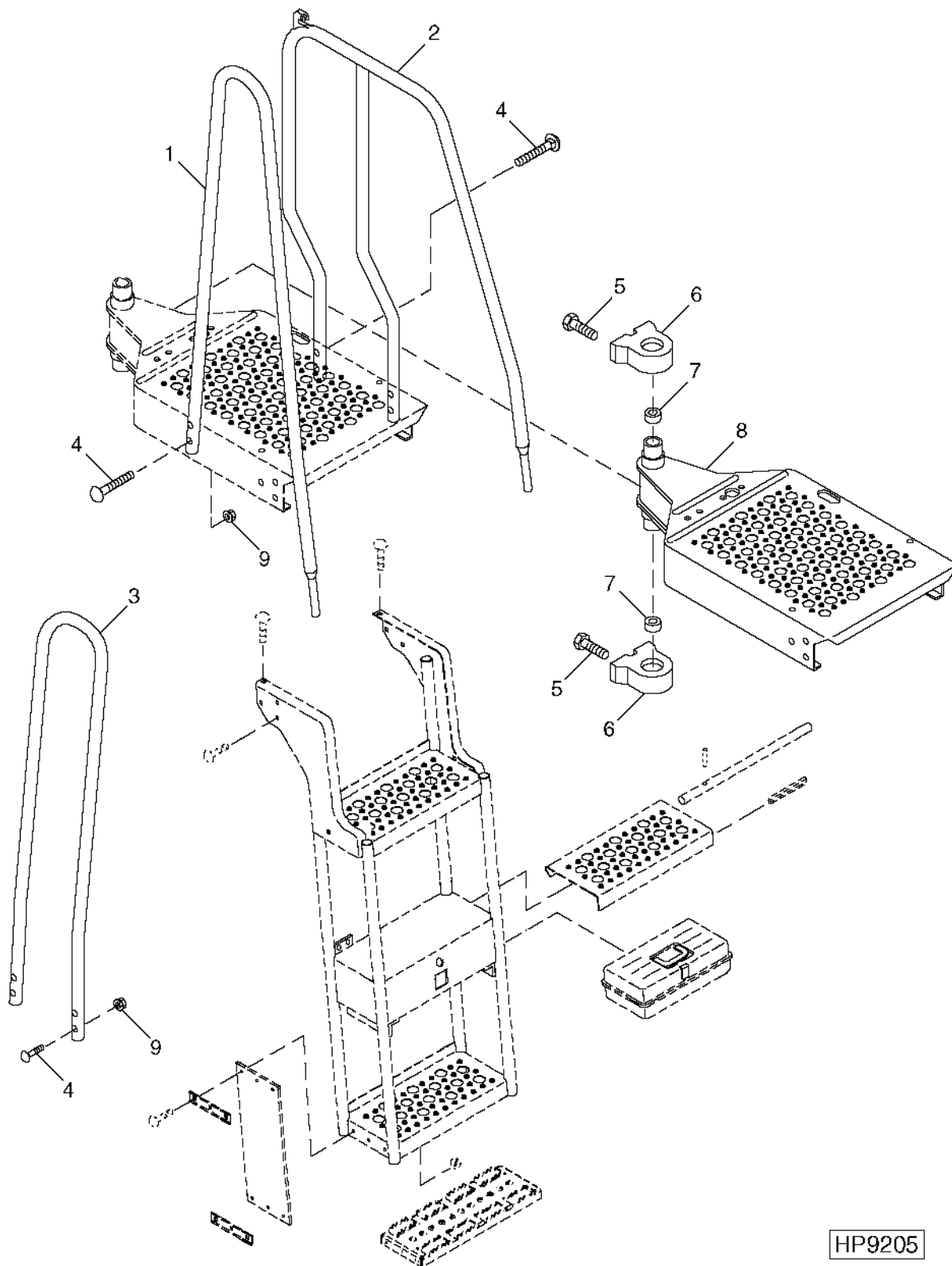
CAB ROOF AND SUPPORTS - CONTINUED

KEY	PART NO.	PART NAME	QTY	SERIAL NO.	REMARKS
1	AH153796	ROOF	1		
2	EYEBOLT	1		12 MM, FOR ROOF REMOVAL
3	19M7789	SCREW	2		M12 X 30
4	24M7051	WASHER	2		21 X 37 X 3 MM
5	H123991	SEALING WASHER	2		
6	AH120541	SEAL	AR		
7	H123995	SCREW	27		
8	H143460	COVER	1		
9	H144472	SUPPORT	2		
10	H130301	COVER	2		
11	AH124882	WIRING LEAD	2		
12	H114038	SCREW	4		
13	AH136557	SUPPORT	1	-14SEP8	
	AH154696	SUPPORT	1	14SEP8-	
14	H116188	SCREW	4		
15	H130303	COVER	1		
16	H123796	GROMMET	1		
17	14M7296	FLANGE NUT	4		M10
18	H123740	STUD	4		

3E9

OPERATOR'S PIVOTING PLATFORM AND HANDRAILS

HP9205 -UN-25OCT99



HP9205

3E10

OPERATORS STATION

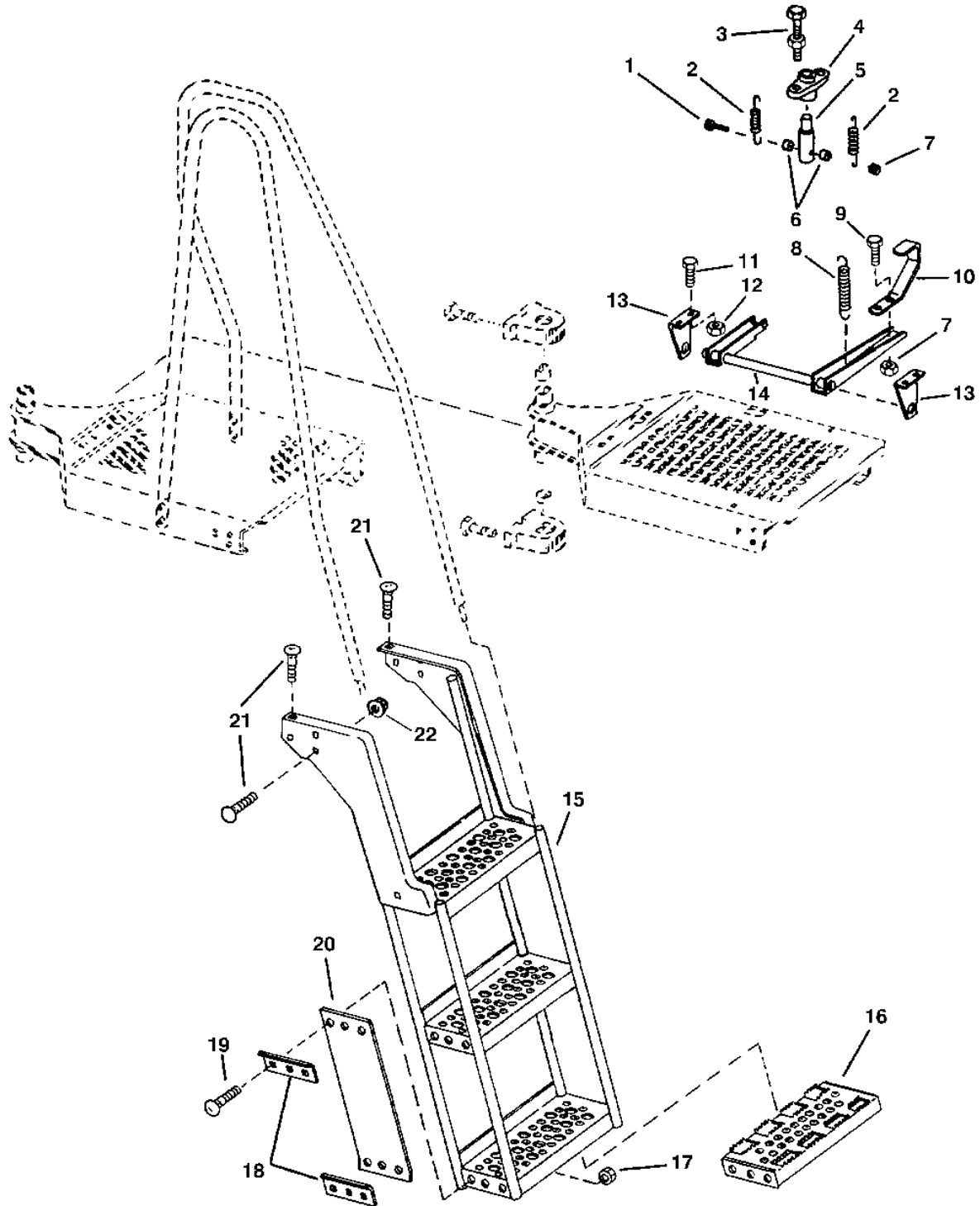
OPERATOR'S PIVOTING PLATFORM AND HANDRAILS - CONTINUED

KEY	PART NO.	PART NAME	QTY	SERIAL NO.	REMARKS
1	H136143	HANDRAIL	1	-27SE99	USE WITH AH157029, AH133500 OR AH133501
	H167174	HANDRAIL	1	28SE99-	
2	AH131845	HANDRAIL	1	-27SE99	USE WITH 940 MM EXT.
	AH160473	HANDRAIL	1	28SE99-	USE WITH 1260 MM EXT
	AH131851	HANDRAIL	1	-27SE99	
	AH160474	HANDRAIL	1	28SE99-	
	AH131852	HANDRAIL	1	-27SE99	USE WITH 1930 MM EXT.
	AH160475	HANDRAIL	1	28SE99-	L.H. UPPER
3	H131626	HANDRAIL	1	-27SE99	
	AH160469	HANDRAIL	1	28SE99-	
4	03M7196	BOLT	8		M10 X 50
5	19M7792	SCREW	4		M16 X 30
6	H129610	BUSHING	2		
7	H111478	SLEEVE	2		
8	AH133500	EXTENSION	1	-27SE99	1260 MM EXT.
	AH159187	EXTENSION	1	28SE99-	1390 MM EXT.
	AH133501	EXTENSION	1	-27SE99	
	AH159188	EXTENSION	1	28SE99-	
	AH157029	EXTENSION	1	-27SE99	(SUB FOR AH133499) 940 MM EXT.
	AH159186	EXTENSION	1	28SE99-	
9	14M7296	FLANGE NUT	4		M10
..	BH80671	COMPLETE GOODS/SHIP. BUNDLE	1		HANDRAIL CONVERSION (TO 1260 MM)
..	BH80672	COMPLETE GOODS/SHIP. BUNDLE	1		HANDRAIL CONVERSION (810 MM, 940 MM, OR 1260 TO 1390 MM)

3E11

OPERATOR'S PLATFORM LADDER AND LATCH

HP6503 -UN-15JUL96



HP6503

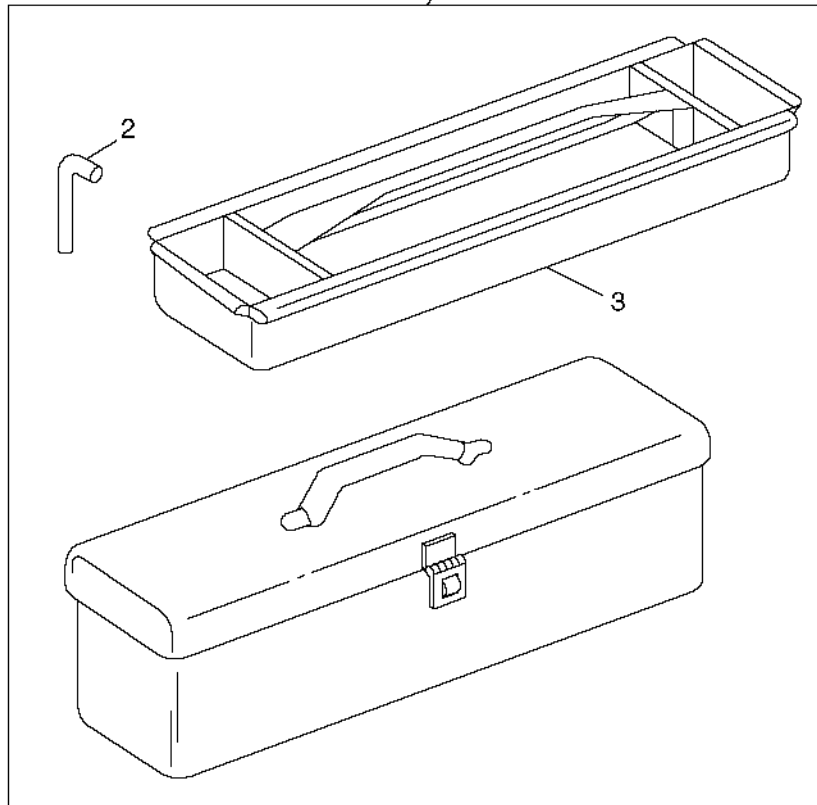
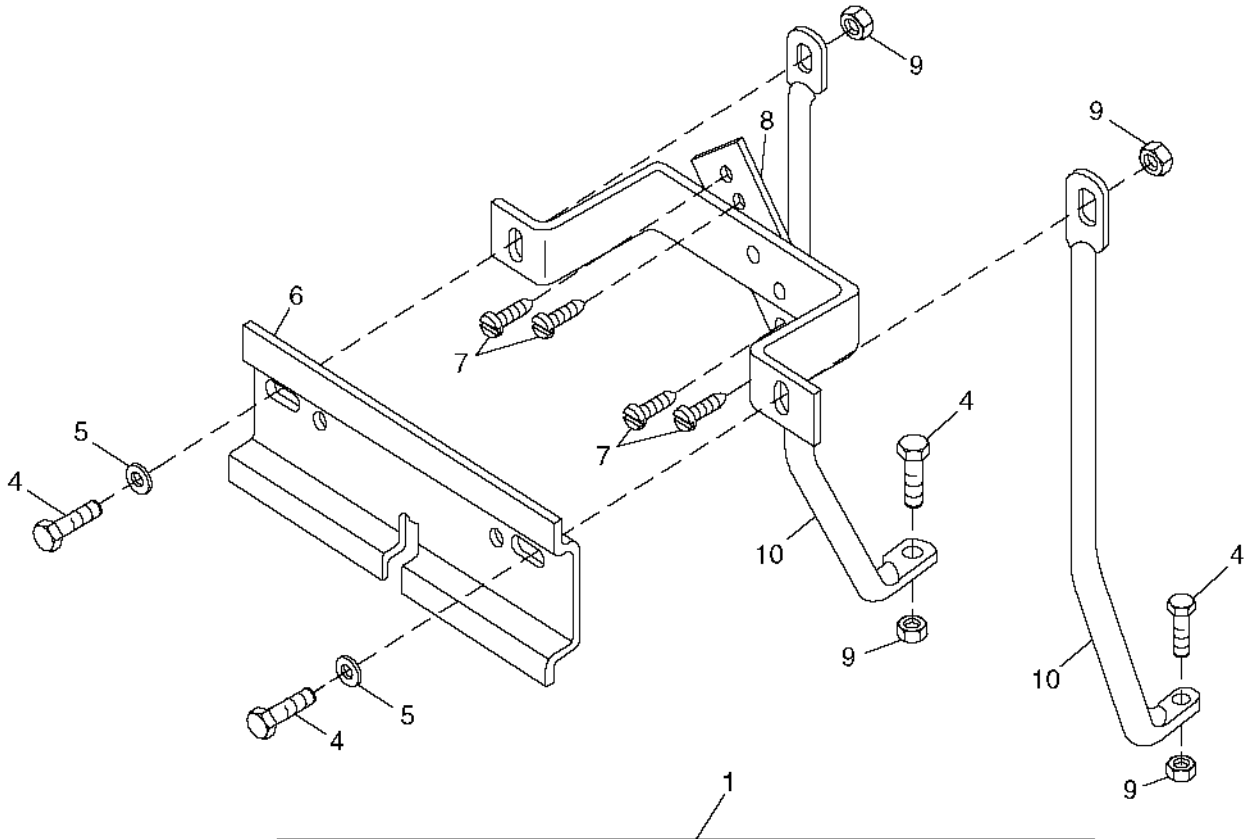
OPERATOR'S PLATFORM LADDER AND LATCH - CONTINUED

KEY	PART NO.	PART NAME	QTY	SERIAL NO.	REMARKS
1	19M7803	SCREW	1		
2	H137360	EXTENSION SPRING	2		
3	03M7186	BOLT	2		M8 X 30
	14M7396	LOCK NUT	2		M8
4	H129761	BUSHING	1		
5	H129760	PIN	1		
6	28H1903	BUSHING	2		
7	14M7298	FLANGE NUT	3		M8
8	R60730	SPRING	1		
9	03M7185	BOLT	2		M8 X 25
10	H133514	LEVER	1		
11	03M7251	BOLT	4		M6 X 12
12	14M7303	FLANGE NUT	4		M6
13	H129763	BRACKET	2		
14	AH128610	LATCH	1		
15	AH165990	LADDER	1		(SUB FOR AH145678) WITHOUT TOOLBOX OPENING
16	H136011	STEP	1		
17	14M7396	LOCK NUT	AR		M8
18	H136127	PLATE	4		
19	03M7185	BOLT	AR		M8 X 25
20	H136126	HANGER	2		(USE WITH AH133499)
21	03M7190	BOLT	8		M10 X 20
22	14M7400	LOCK NUT	8		M10

3E13

TOOL BOX
HP8490

-UN-13JUL99



HP8490

3E14

OPERATORS STATION

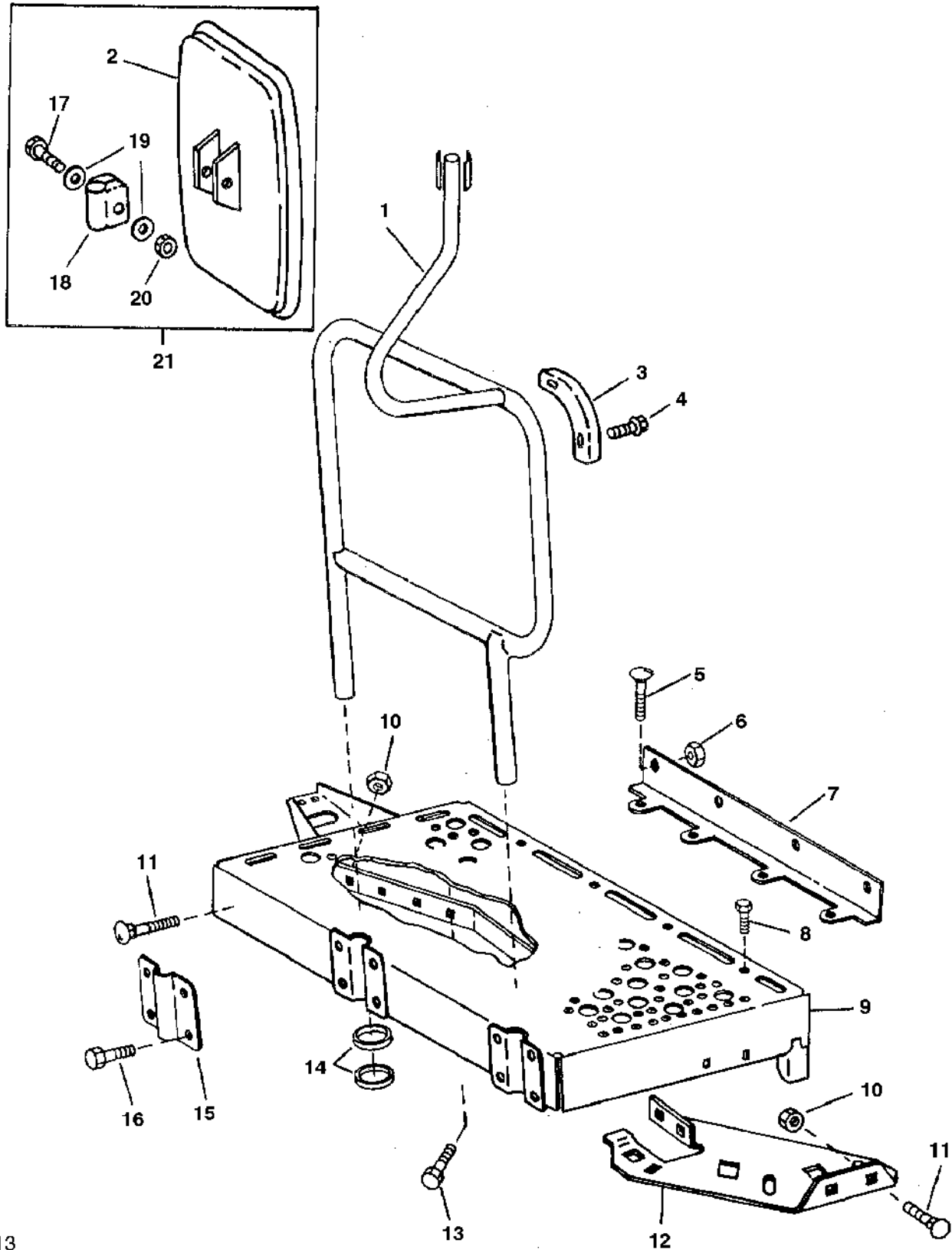
TOOL BOX - CONTINUED

KEY	PART NO.	PART NAME	QTY	SERIAL NO.	REMARKS
1	AT22070	TOOLBOX	1		
2	T23027	PIN	1		
3	AT22073	HOLDER	1		
4	19M7785	SCREW	4	M10 X 25	
5	24M7178	WASHER	2	10.500 X 30 X 2.500 MM (0.413" X 1.181" X 0.098")	
6	T23033	BRACKET	1		
7	37M7058	SCREW	4	M8 X 20	
8	AH145157	BRACKET	1		
9	14M7296	FLANGE NUT	4	M10	
10	H150951	BRACE	2		
..	BH81052	COMPLETE GOODS/SHIP. BUNDLE	1		TOOL BOX ASSEMBLY - WITH TRAY AND BRACKET

3E15

OPERATORS STATION

CAB LEFT-HAND LANDING AND MIRROR
HP7213 -UN-09OCT97



HP7213

3E16

OPERATORS STATION

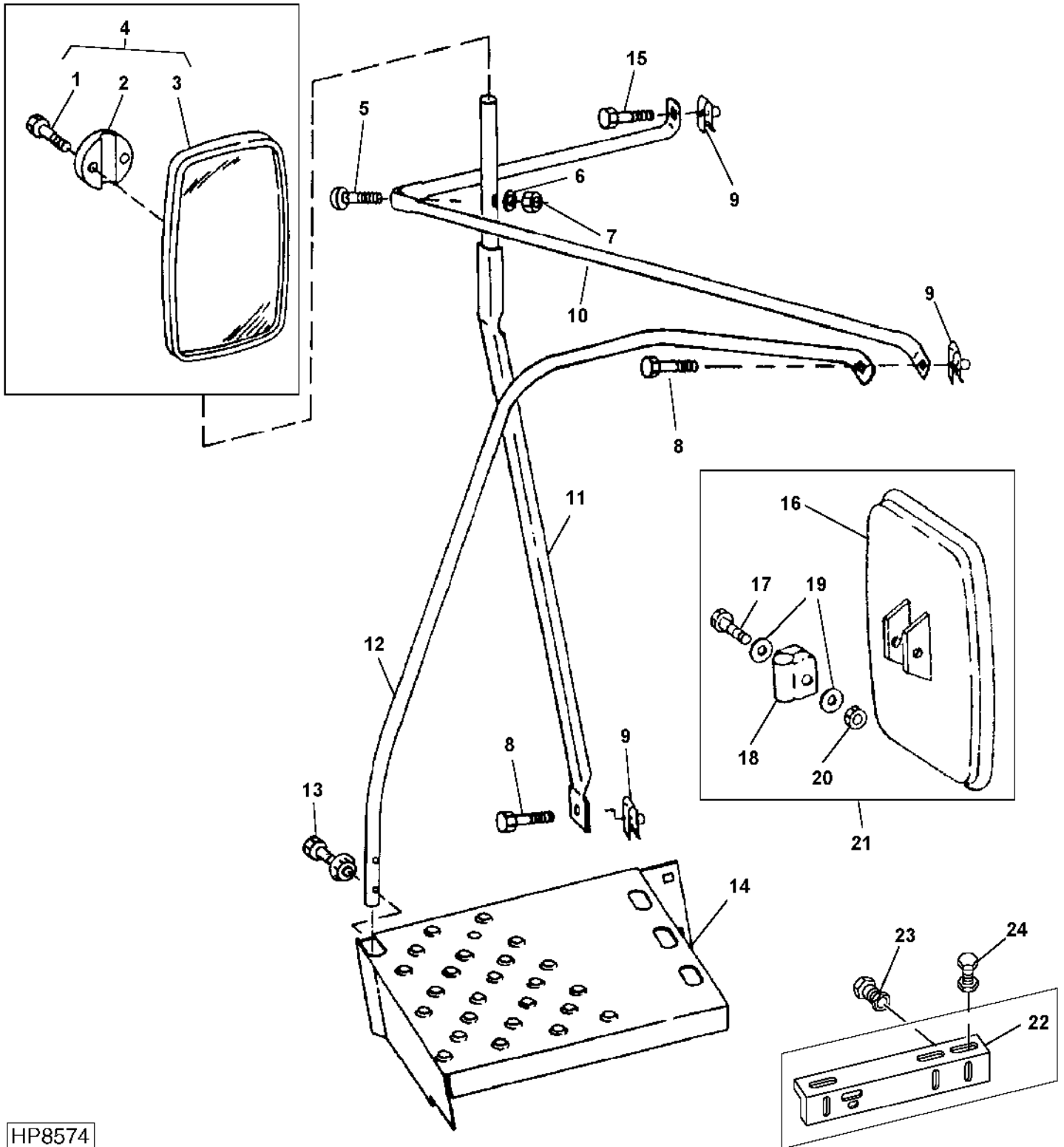
CAB LEFT-HAND LANDING AND MIRROR - CONTINUED

KEY	PART NO.	PART NAME	QTY	SERIAL NO.	REMARKS
1	AH141804	RAIL	1	-27SE99	
	AH160115	HANDRAIL	1	28SE99-	
2	REAR VIEW MIRROR	1		(ORDER AH142404)
3	AH122099	BUMPER	1		
4	37M7046	SCREW	2		
5	03M7183	BOLT	AR		M8 X 16
6	14M7298	FLANGE NUT	AR		M8
7	H130362	ANGLE	1		
8	37M7058	SCREW	AR		M8 X 20
9	AH141812	PLATFORM	1		
10	14M7296	FLANGE NUT	AR		M10
11	19M7784	SCREW	AR		M10 X 20
12	H172944	PLATE	1		(SUB FOR H134544)
13	19M7784	SCREW	4		M10 X 20
14	H136110	ISOLATOR	4		
15	H161289	CLAMP	4		
16	19M7862	SCREW	4		M6 X 20
17	BOLT	1		(ORDER AH142404)
18	CLAMP	1		(ORDER AH142404)
19	WASHER	1		(ORDER AH142404)
20	NUT	1		(ORDER AH142404)
21	AH142404	REAR VIEW MIRROR	1		

3E17

OPERATORS STATION

CAB LANDING AND MIRROR (R.H.)
HP8574 -UN-13MAY99



HP8574

3E18

OPERATORS STATION

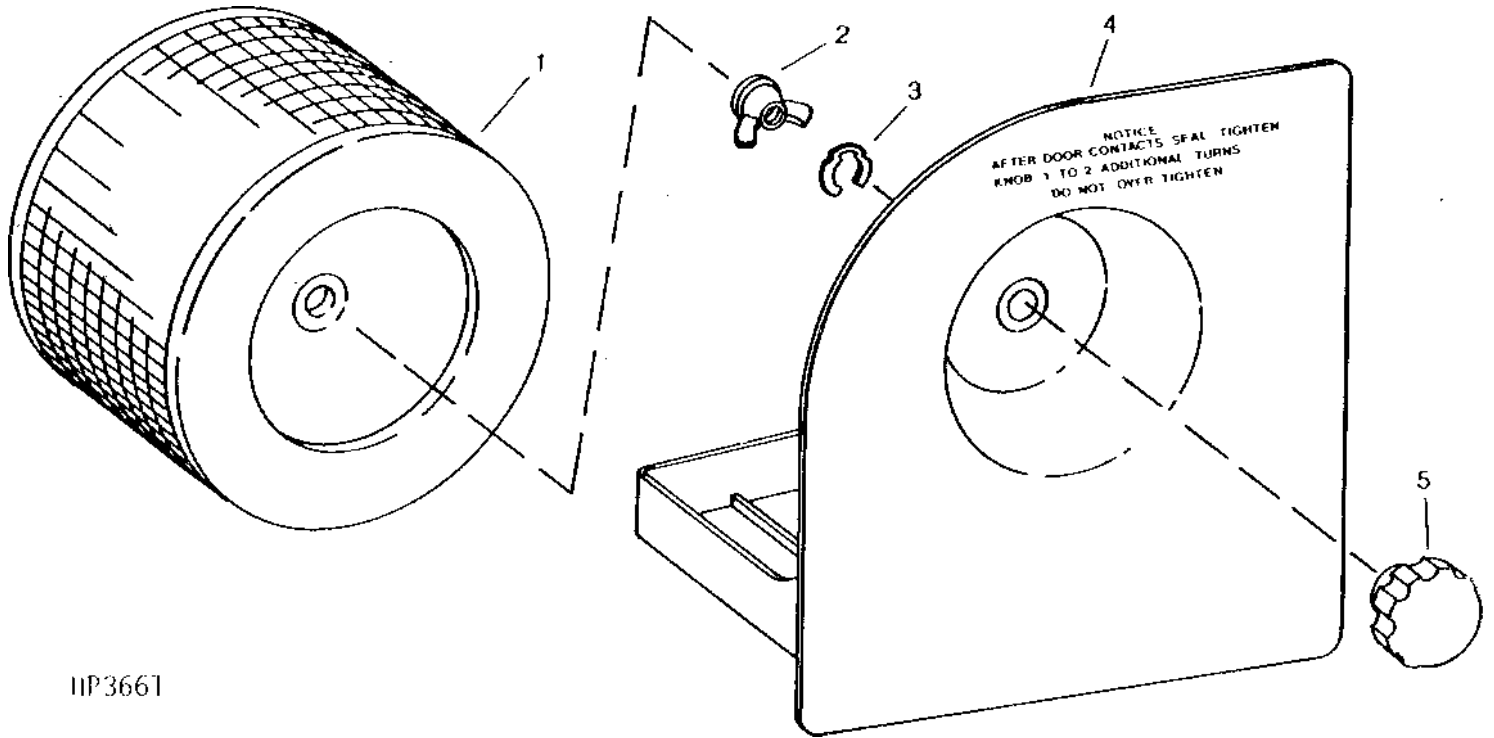
CAB LANDING AND MIRROR (R.H.) - CONTINUED

KEY	PART NO.	PART NAME	QTY	SERIAL NO.	REMARKS
1	19M8505	SCREW	2	M6 X 25	
2	PLATE	1		
3	REAR VIEW MIRROR	1		
4	AH142404	REAR VIEW MIRROR	1		
5	19M7805	SCREW	1	M10 X 45 M10 X 1.5 X 45	
6	24M7178	WASHER	1	10.500 X 30 X 2.500 MM	
7	14M7296	FLANGE NUT	1	M10	
8	19M7786	SCREW	2	M10 X 30	
9	H137447	NUT	3		
10	H134724	SUPPORT	1		
11	AH137725	SUPPORT	1		
12	H134536	RAIL	1	R.H.	
13	03M7216	BOLT	2	M8 X 50 1.25 X 50	
	14M7396	LOCK NUT	2	M8	
14	AH130586	SHIELD	1		
15	19M7805	SCREW	1	M10 X 45	
16	REAR VIEW MIRROR	1		
17	BOLT	1		
18	CLAMP	1		
19	WASHER	1		
20	NUT	1		
21	AH142404	REAR VIEW MIRROR	1		
22	H120659	ANGLE	1	USE WITH DUAL RANGE LOCKOUT	
23	19M7866	SCREW	2	M8 X 1.25 X 20	
	14M7298	FLANGE NUT	2	M10	
24	19M7865	SCREW	2	M8 X 1.25 X 16	
	14M7298	FLANGE NUT	2	M10	

3E19

OPERATORS STATION

CAB AIR FILTER AND HOUSING
HP3661 -UN-01JAN94



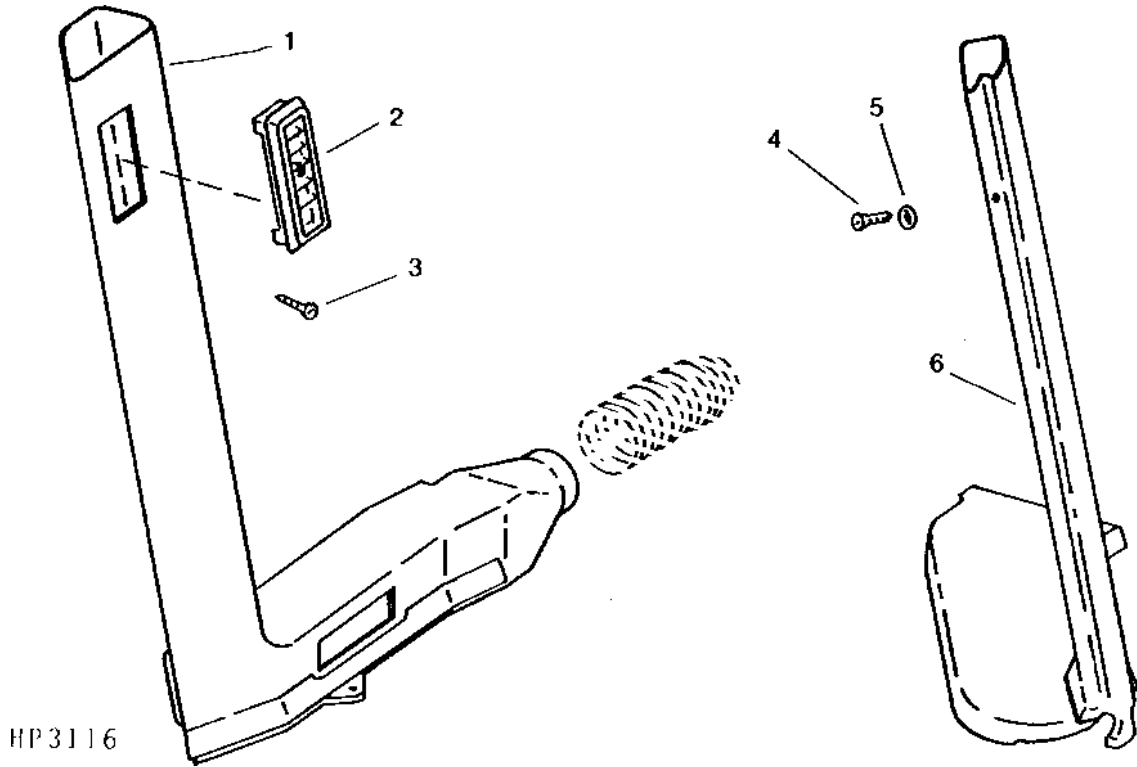
HP3661

KEY	PART NO.	PART NAME	QTY	SERIAL NO.	REMARKS
1	AH115833	AIR FILTER	1		
2	AH132783	NUT	1		
3	R58806	SNAP RING	1		
4	AH120419	DOOR	1		
5	AH120446	KNOB	1		
..	H149398	MEDALLION	1		ITALIAN; ON CAB AIR FILTER DOOR
..	H149399	MEDALLION	1		ITALIAN; ON CAN AIR FILTER DOOR

3E20

OPERATORS STATION

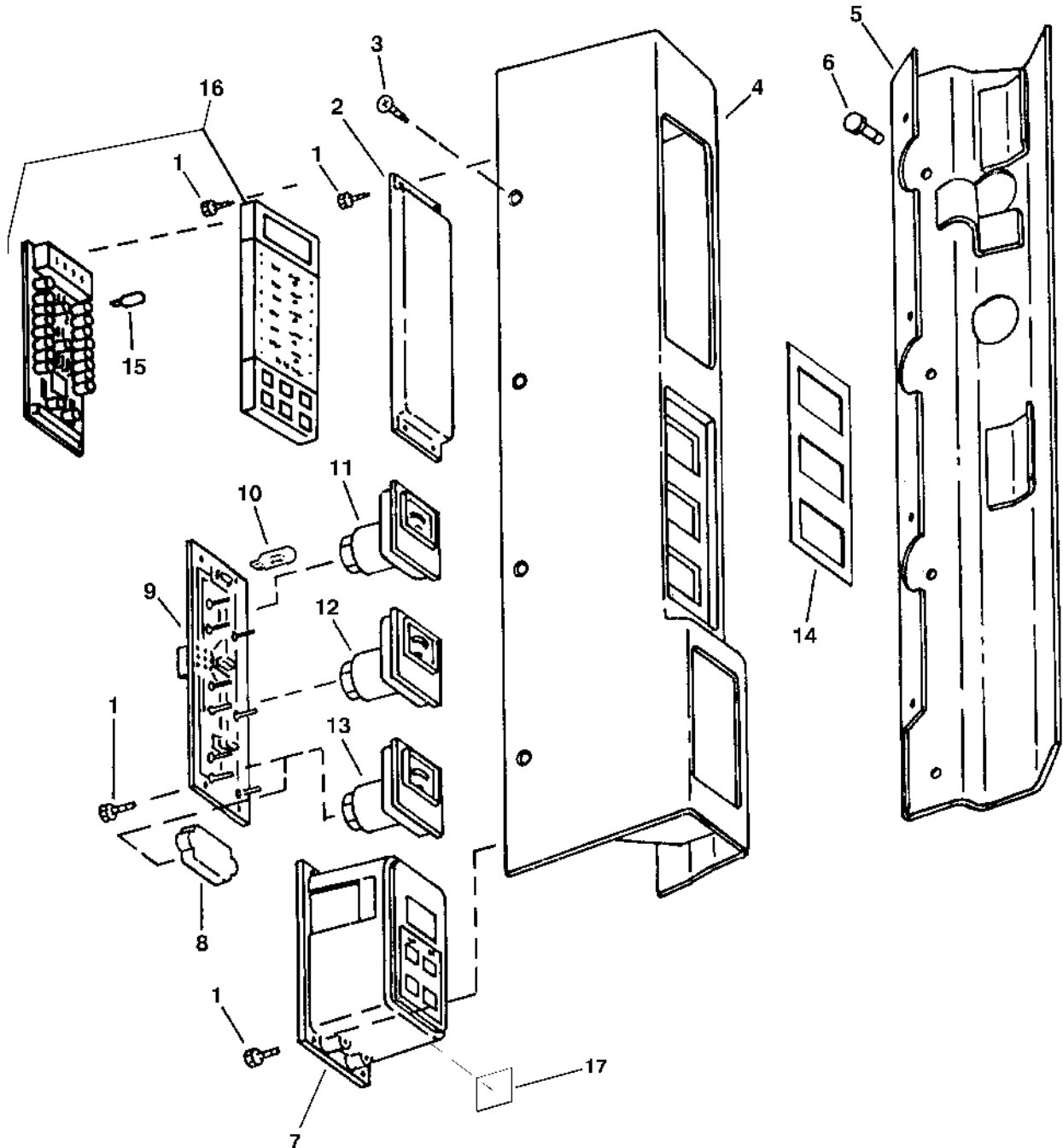
AIR CONDITIONING AND HEATER DUCTS
HP3116 -UN-01JAN94



KEY	PART NO.	PART NAME	QTY	SERIAL NO.	REMARKS
1	H129553	HOUSING	1	-28SEP8	
	H168429	HOUSING	1	28SEP8-	
2	AH134522	GRILLE	6	-28SEP8	
	AH161926	GRILLE	6	28SEP8-	
3	37M7160	SCREW	AR		M6 X 16
4	H165691	SCREW	AR		M6 X 20, (SUB FOR H131591 OR H168780)
5	H91315	WASHER	AR		
6	H130515	AIR DUCT	1	-28SEP8	
	H168430	HOUSING	1	28SEP8-	

3E21

CAB POST INSTRUMENT PANEL
HP7318 -UN-22DEC97



HP7318

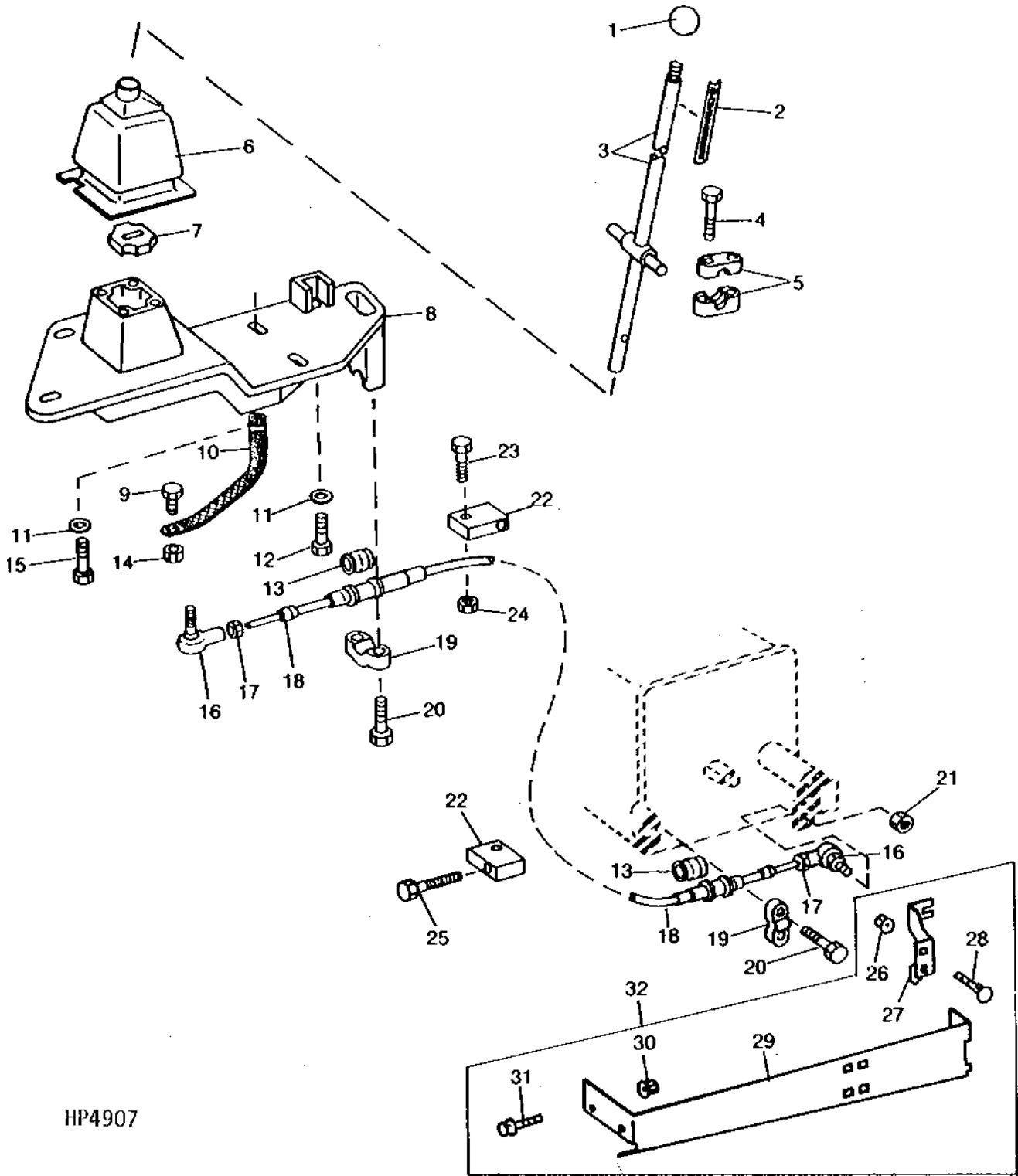
CAB POST INSTRUMENT PANEL - CONTINUED

KEY	PART NO.	PART NAME	QTY	SERIAL NO.	REMARKS
1	21M7268	SCREW	AR		M3 X 6
2	H130058	PANEL	1	-28SE98	USE WITHOUT COMBINE DATA CENTER
	H168423	PANEL	1	28SE98-	
3	H158579	SCREW	4		M5 X 12, (SUB H168424)
	H168424	SCREW	4		M5 X 12
4	AH140609	PANEL	1		
5	AH120570	BRACKET	1		
6	37M7089	SCREW	AR		M6 X 12
7	AH163527	KIT	1		DIGITAL TACH W/ LABELS
8	H129686	COVER	1		USE ONLY WITHOUT HARVESTRAK
9	AH141984	CIRCUIT BOARD	1		
10	AA27536	BULB	3		
11	AH120444	GAUGE	1		FOR FUEL
12	AH148354	TEMPERATURE GAUGE	1		ENGINE
13	AH120445	GAUGE	1		HARVESTRAK
14	H145417	DECAL	1		GAUGE GRAPHICS DECAL
15	AH108380	BULB	20		
16	AH159207	KIT	1	675676-	(SUB FOR AH157325) COMBINE DATA CENTER, INCLUDES AH159202 MONITOR, LABELS AND INSTRUCTIONS
17	R133617	LABEL	1		
..	BH80118	COMPLETE GOODS/SHIP. BUNDLE	1		HARVESTRAK

3E23

GEARSHIFT LEVER AND LINKAGE

HP4907 -UN-01JAN94



HP4907

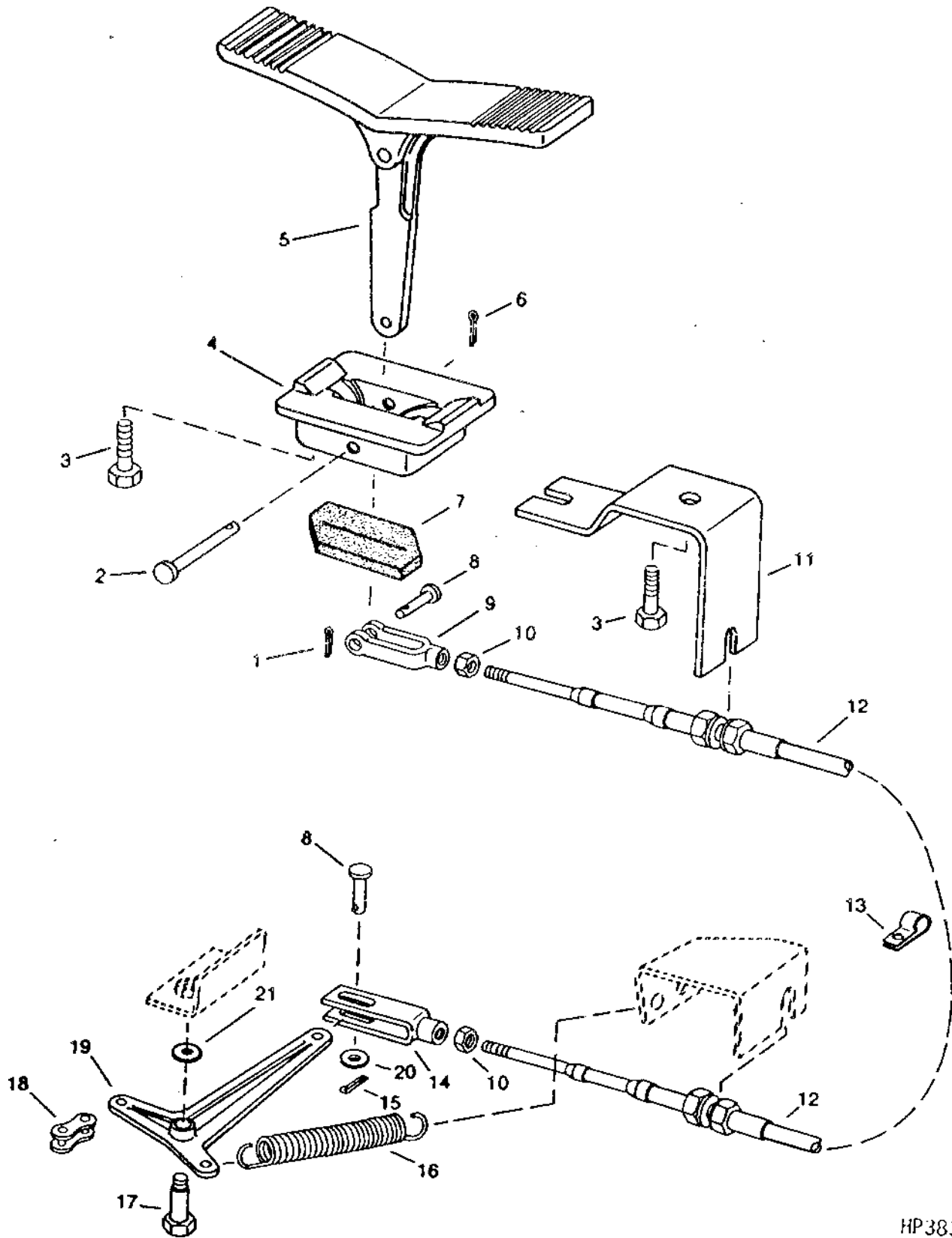
GEARSHIFT LEVER AND LINKAGE - CONTINUED

KEY	PART NO.	PART NAME	QTY	SERIAL NO.	REMARKS
1	H125518	KNOB	1		USE TY9373 OR TY9478 OR TY9371 TO SECURE
2	H149380	LABEL	1		ITALIAN
3	AH138707	ROD	1		INCLUDES H134767 LABEL
4	19M8318	SCREW	4		M8 X 45
5	H131040	BEARING	4		
6	H131041	BOOT	1		
7	H133660	SEAL	1		
8	H133636	HOUSING	1		
9	19M7788	SCREW	1		M12 X 25
10	AH125010	GROUND CABLE	1		
11	24H1296	WASHER	5		11/32" X 1-3/8" X 0.134"
12	19M8319	SCREW	1		M8 X 50
13	H133662	ISOLATOR	2		
14	14M7299	FLANGE NUT	1		M12
15	19M7867	SCREW	4		M8 X 25
16	AH125958	BALL JOINT	2		
17	14M7274	NUT	2		M10
18	AH128357	CABLE	1		
19	H133047	CLAMP	2		
20	19M8291	SCREW	4		M8 X 35
21	14M7296	FLANGE NUT	1		M10
22	AH77724	CLIP	3		
23	19M7799	SCREW	1		M8 X 45
24	14M7298	FLANGE NUT	1		M8
25	37M7149	SCREW	3		M8 X 50
26	14M7400	LOCK NUT	2		M10
27	BRACKET	1		INC. IN AH138329 KIT
28	03M7190	BOLT	2		M10 X 20
29	GUARD	1		INC. IN AH138329 KIT
30	14M7401	LOCK NUT	1		M12
31	19M7788	SCREW	1		M12 X 25
32	AH138329	KIT	1		
..	TY9370	ADHESIVE	1		6 OZ. MEDIUM STRENGTH (CANADA NUMBER TY9477)
..	TY9373	GASKET	1		(SUB T43514)
..	TY9478	ADHESIVE	1		
..	TY9371	ADHESIVE	1		6 ML HIGH STRENGTH

3F1

FEEDER HOUSE REVERSER FOOT CONTROL

HP3833 -UN-01JAN94



HP3833

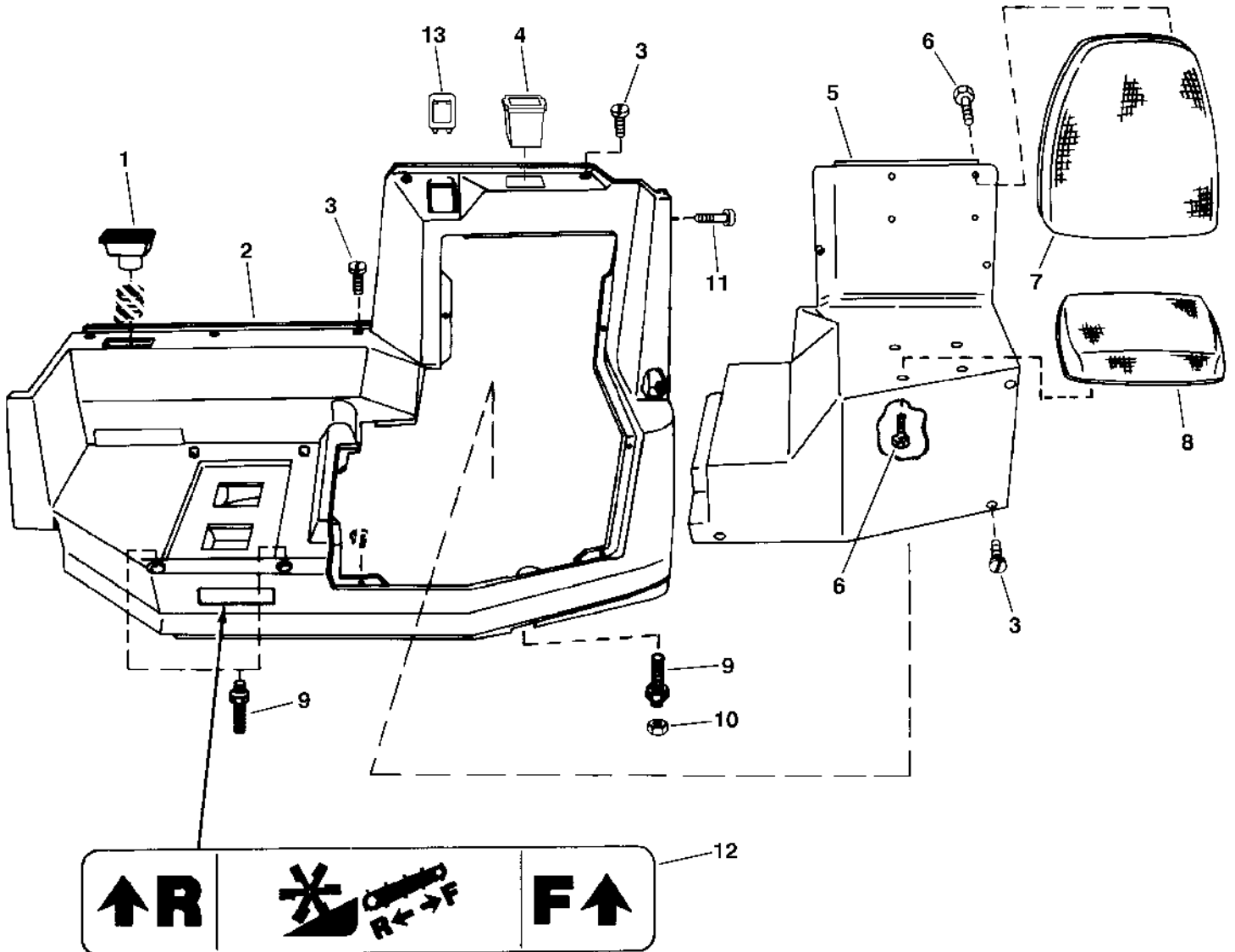
FEEDER HOUSE REVERSER FOOT CONTROL - CONTINUED

KEY	PART NO.	PART NAME	QTY	SERIAL NO.	REMARKS
1	11M7082	COTTER PIN	1		
2	R65569	PIN	1		2.500 X 25 MM
3	19M7866	SCREW	4		M8 X 20
4	H134489	BEZEL	1		(SUB H153480)
	H153480	BEZEL	1		
5	H134488	PEDAL	1	-680400	
	H153479	PEDAL	1	680401-	
6	11M7081	COTTER PIN	1		2.500 X 20 MM
7	H133210	SEAL	1		
8	T16193	PIN	1		6.248 X 29.362 MM (0.246" X 1-5/32")
9	H130646	YOKE	1		
10	14M7273	NUT	2		
11	H133208	SUPPORT	1		
12	AH128452	PUSH PULL CABLE	1		
13	R73384	CLAMP	1		
14	AH127383	YOKE	1		
15	11M7082	COTTER PIN	1		2.500 X 25 MM
16	H84948	SPRING	1		
17	H127749	BOLT	1		
18	AE23791	CHAIN LINK	1		
19	H140836	BELLCRANK	1		BELLCRANK HAS TWO CONNECTING HOLES
20	24M7054	WASHER	1		6.400 X 12 X 1.600 MM
21	24M7240	WASHER	1		13 X 25 X 3 MM

3F3

OPERATORS STATION

SEAT SHROUDS AND TRAINING SEAT
HP7236 -UN-04DEC97



HP7236

3F4

OPERATORS STATION

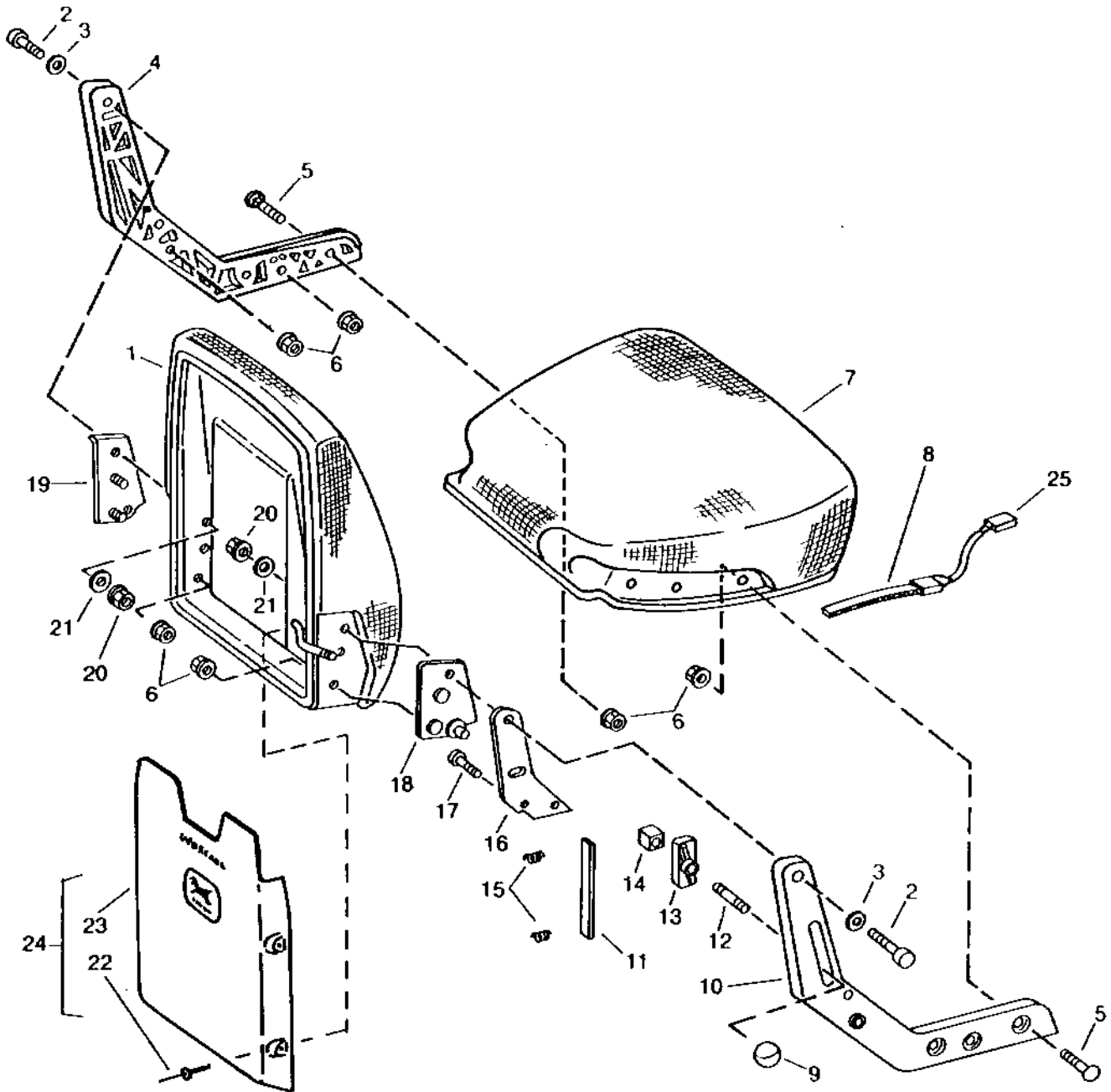
SEAT SHROUDS AND PASSENGER SEAT - CONTINUED

KEY	PART NO.	PART NAME	QTY	SERIAL NO.	REMARKS
1	AH134724	BOX	1		
2	AH156642	CONSOLE	1	-28SEP8	
	AH161928	CONSOLE	1	28SEP8-	
3	H165691	SCREW	10		M6 X 20, (SUB FOR H131591 OR H168780)
4	H162048	CONTAINER	1	-28SEP8	
	H168433	CONTAINER	1	28SEP8-	
5	H160596	COVER	1	-28SEP8	
	H167912	SPINDLE	1	28SEP8-	
6	19M8331	CAP SCREW	8		M8 X 20
7	AH147066	SEAT	1		
8	AH138111	SEAT	1		
9	H150455	STUD	6		0.394" X 1.890", (SUB H168781)
	H168781	STUD	6		
10	14M7296	FLANGE NUT	4		
11	H132451	CAP SCREW	3		
12	H137823	PANEL	1		
13	H161091	BEZEL	1	-28SEP8	
	H168432	BEZEL	1	28SEP8-	
..	BH78343	COMPLETE GOODS/SHIP. BUNDLE	1		PASSENGER SEAT

3F5

OPERATORS STATION

OPERATOR'S SEAT AND BACKREST
HP3132 -UN-01JAN94



HP3132

3F6

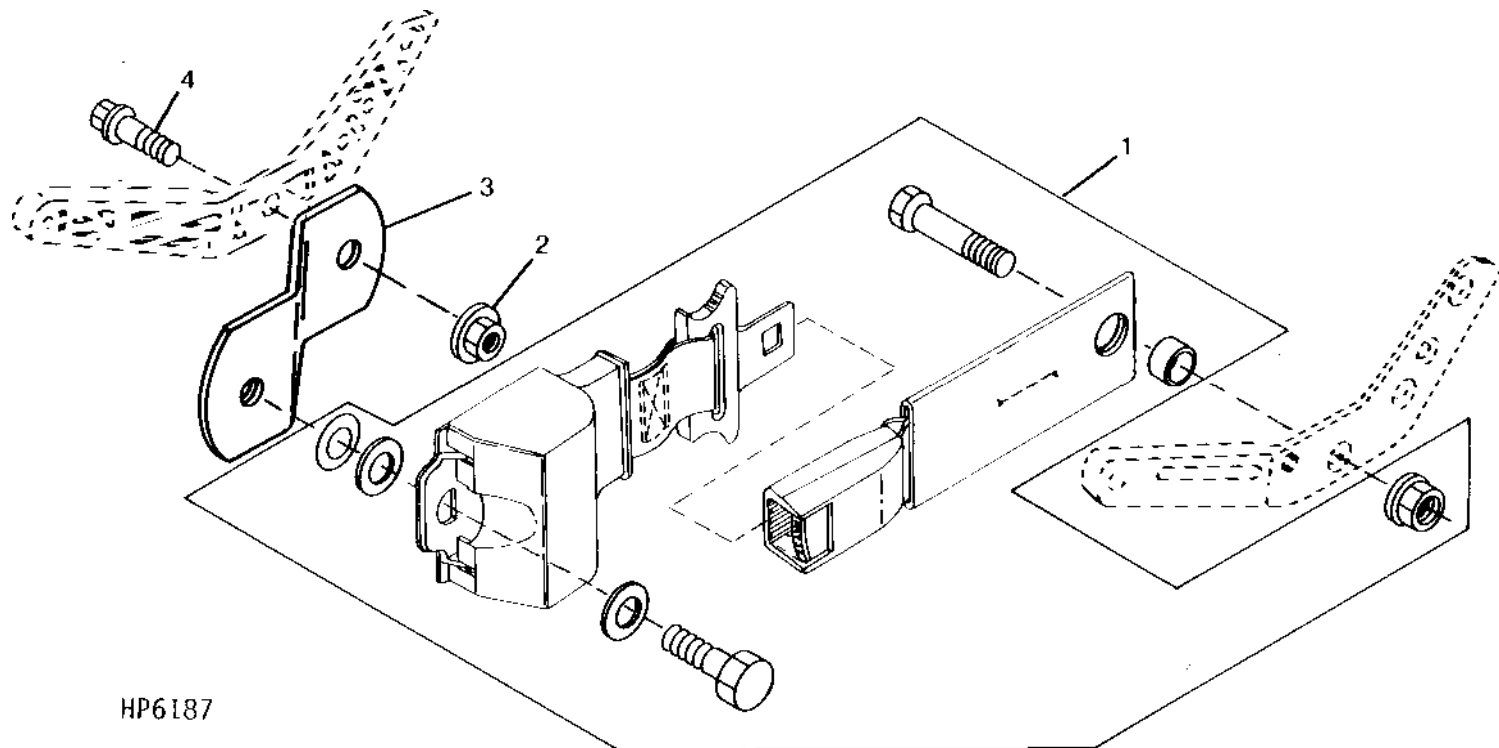
OPERATORS STATION

OPERATOR'S SEAT AND BACKREST - CONTINUED

KEY	PART NO.	PART NAME	QTY	SERIAL NO.	REMARKS
1	RE12049	CUSHION	1	(INCLUDES AR71107)	
2	R59019	SCREW	2		
3	T519T	WASHER	2	12.700 X 19.050 X 0.381 MM	
4	R89143	SUPPORT	1		
5	R59015	GANG BOLT	4	9.525 X 31.750 MM	
6	N10215	LOCK NUT	8	9.525 MM	
7	AH145065	SEAT	1		
8	AH127662	SWITCH	1		
9	R60458	KNOB	1		
10	R89142	SUPPORT	1		
11	R59009	REINFORCEMENT	1		
12	R59012	WELD STUD	1		
13	R105581	ADJUSTER	1		
14	R59018	BUSHING	1		
15	R31890	SPRING	2		
16	R59011	PLATE	1		
17	37H120	SCREW	1	0.164" X 1/2"	
18	AR71108	PLATE	1		
19	AR71109	PLATE	1		
20	H99923	LOCK NUT	2	9.525 MM	
21	R53665	WASHER	2	10.312 X 17.450 X 1.524 MM	
22	RIVET	1	IN RE13541 KIT	
23	HOLDER	1	IN RE13541 KIT	
24	RE13541	KIT	1		
25	R78053	PIN CONTACT CONNECTOR BODY	1	(PKG OF 3)	
	R78063	TERMINAL NIPPLE	1	(PKG OF 40)	
	R78058	PIN CONTACT	1	(PKG OF 40)	
..	AR71107	CUSHION	1		

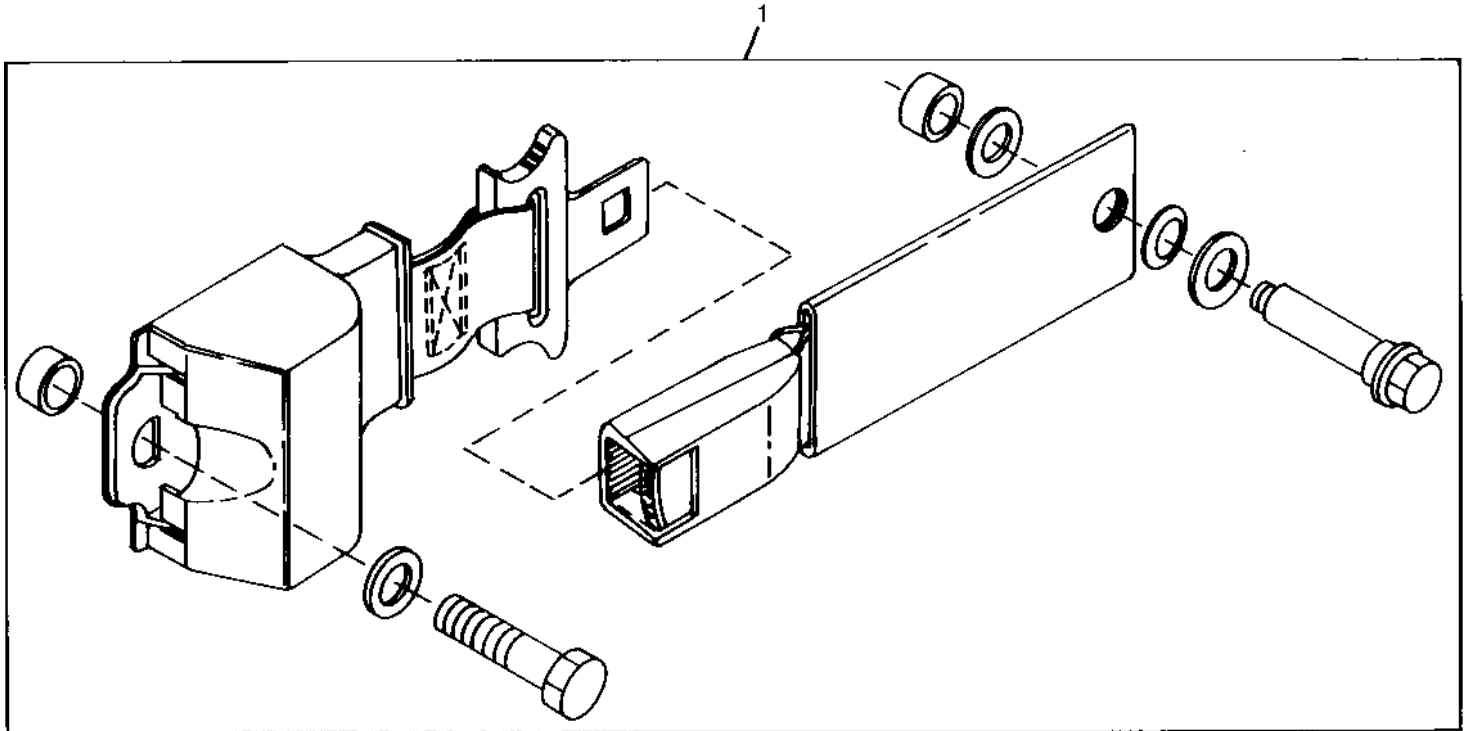
OPERATOR'S SEAT SEATBELT

HP6187 -UN-18OCT95



KEY	PART NO.	PART NAME	QTY	SERIAL NO.	REMARKS
1	AH146742	SEAT BELT	1		
2	14M7400	LOCK NUT	1		M10
3	AH147030	BRACKET	1		(MOUNTING)
4	19M7835	SCREW	1		M10 X 35
..	BH81159	COMPLETE GOODS/SHIP. BUNDLE	1		RETROFIT SEAT BELT KIT - FOR ALL MACHINES PRIOR TO 1996 MODEL YEAR

TRAINING SEAT SEATBELT
 HP6188 -UN-03OCT95

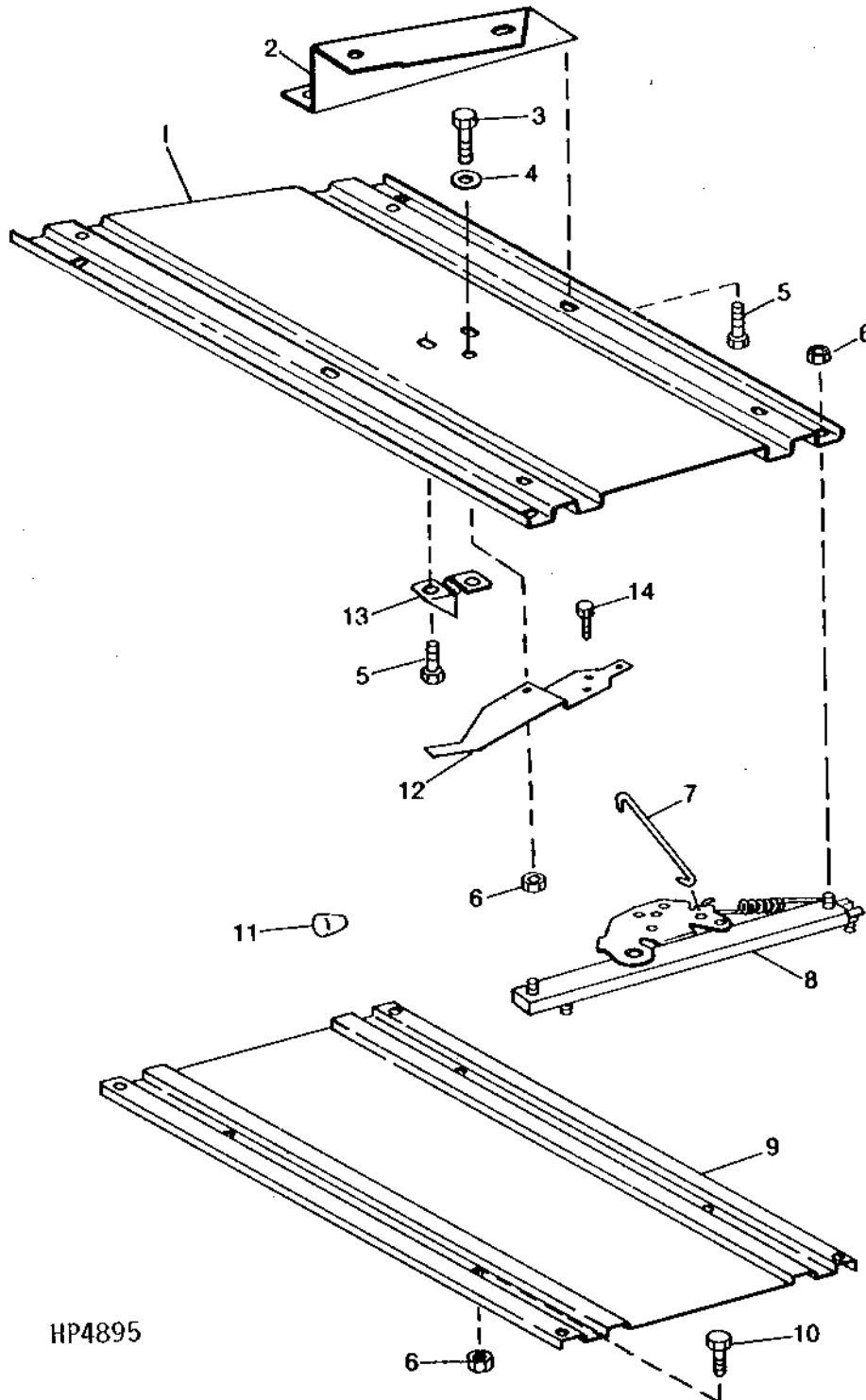


HP6188

KEY	PART NO.	PART NAME	QTY	SERIAL NO.	REMARKS
1	AH147153	SEAT BELT	1		
..	BH81159	COMPLETE GOODS/SHIP. BUNDLE	1		RETROFIT SEAT BELT KIT - FOR ALL MACHINES PRIOR TO 1996 MODEL YEAR

3F9

SEAT ADJUST FORE-AND-AFT
HP4895 -UN-01JAN94



HP4895

3F10

OPERATORS STATION

SEAT ADJUST FORE AND AFT - CONTINUED

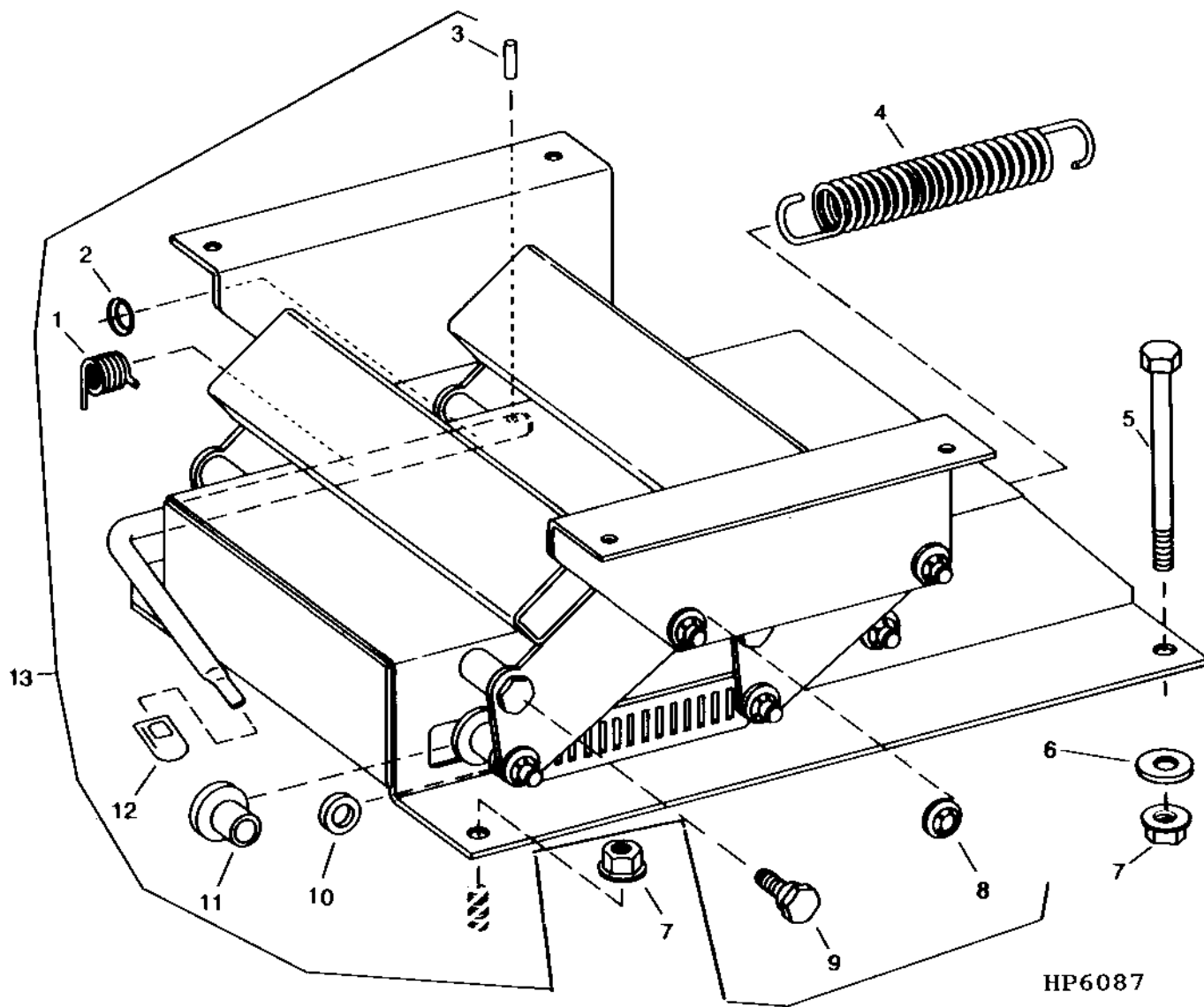
KEY	PART NO.	PART NAME	QTY	SERIAL NO.	REMARKS
1	AH116313	PLATE	1		
2	AH110674	BRACKET	2		
3	19M7868	SCREW	1		M8 X 30
4	24H1296	WASHER	1		11/32" X 1-3/8" X 0.134"
5	19M7866	SCREW	6		M8 X 20
6	14M7298	FLANGE NUT	13		
7	H96391	PIN	2		
8	AH122648	ADJUSTER	2		
9	H115987	PLATE	1		
10	19M8331	CAP SCREW	4		M8 X 20
11	H83055	KNOB	1		
12	H141289	LEVER	1		
13	H144274	BUMPER	1		
14	37M7089	SCREW	3		M6 X 12

3F11

OPERATORS STATION

CAB SEAT HEIGHT ADJUSTER (VERTICAL CONTROL)

HP6087 -UN-07JUN95



HP6087

3F12

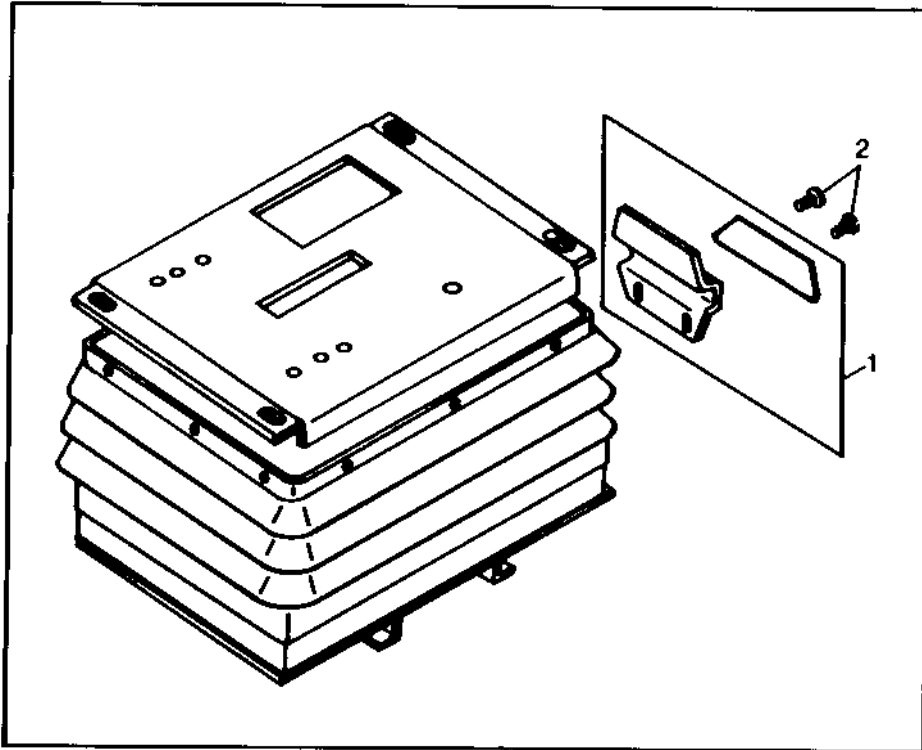
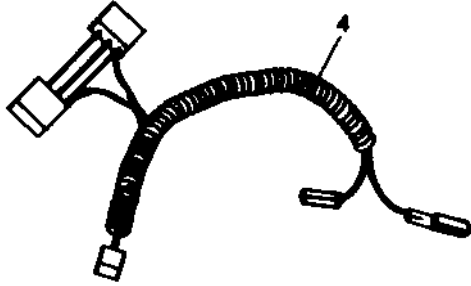
OPERATORS STATION

CAB SEAT HEIGHT ADJUSTER (VERTICAL CONTROL) - CONTINUED

KEY	PART NO.	PART NAME	QTY	SERIAL NO.	REMARKS
1	AT106398	KIT	1		(SUB AT106398)
2	P48925	SHIM	AR		
3	34H262	SPRING PIN	1		
4	H137417	LEAF SPRING	2		
5	H132452	CAP SCREW	2		
6	24M7178	WASHER	2		
7	14M7296	FLANGE NUT	4		
8	H86886	NUT	AR		12.700 MM
9	H137418	BOLT	4		
10	H137421	WASHER	2		
11	H137420	HALF SLEEVE	2		
12	T55201	GRIP	1		
13	AH113301	ADJUSTER	1		(SUB AH161927)
	AH161927	ADJUSTER	1		

3F13

AIR SEAT SUSPENSION
HP5882 -UN-18OCT94



HP5882

3

3F14

OPERATORS STATION

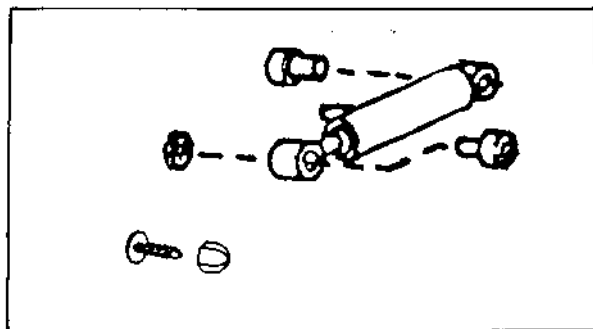
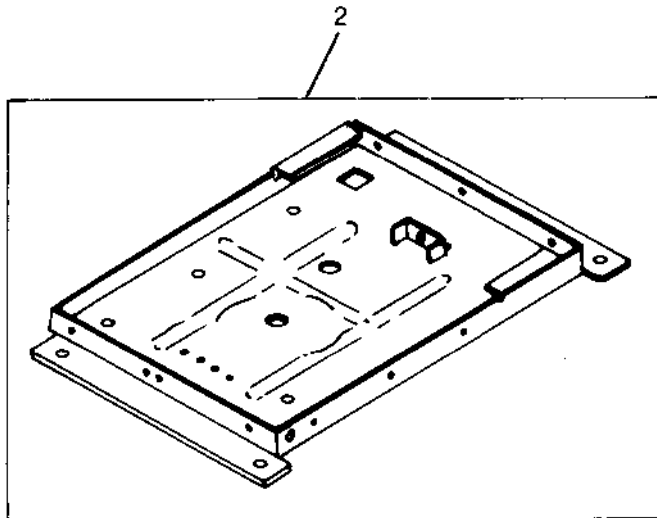
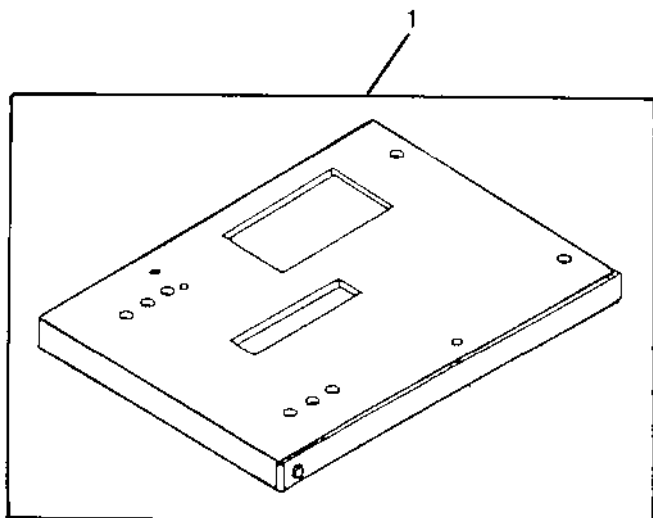
AIR SEAT SUSPENSION - CONTINUED

KEY	PART NO.	PART NAME	QTY	SERIAL NO.	REMARKS
1	AH144778	PANEL	1		
2	37M7089	SCREW	2	M6 X 12	
3	AH157491	SEAT SUSPENSION	1		
4	AH146032	WIRING HARNESS	1		
..	BH81076	COMPLETE GOODS/SHIP. BUNDLE	1		AIR RIDE SEAT

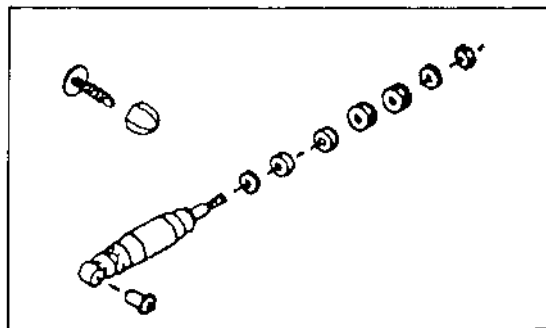
3F15

OPERATORS STATION

AIR SEAT SUSPENSION KITS
HP6191 -UN-08OCT97



HP6191



3F16

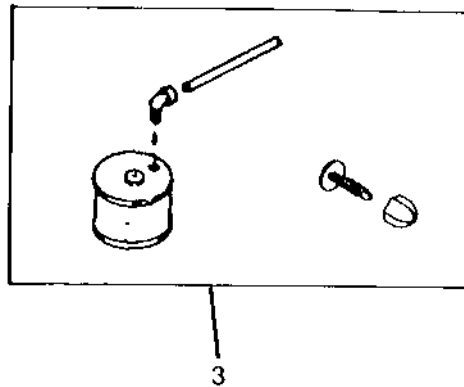
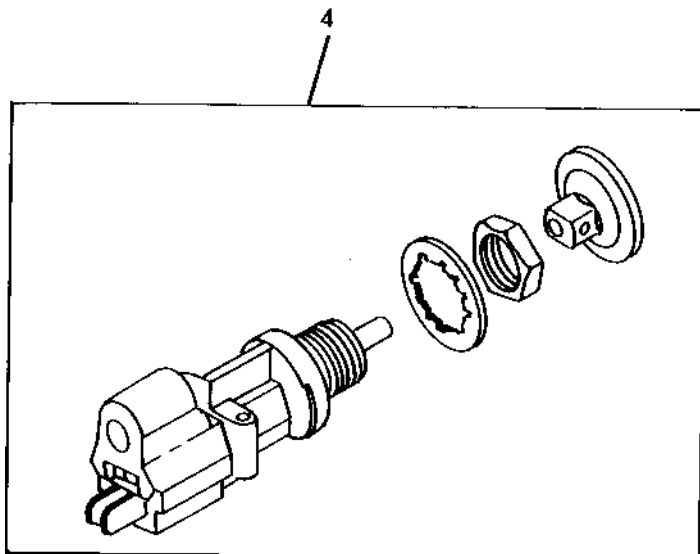
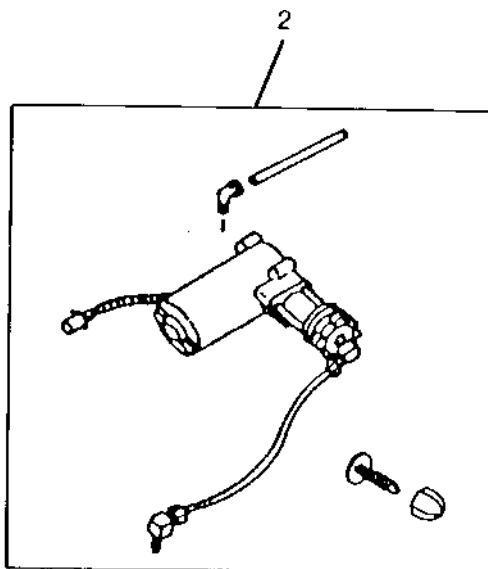
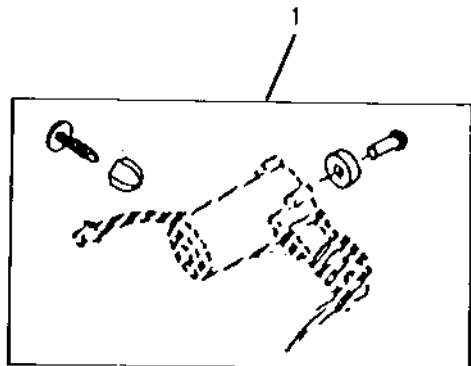
OPERATORS STATION

AIR SEAT SUSPENSION KITS - CONTINUED

KEY	PART NO.	PART NAME	QTY	SERIAL NO.	REMARKS
1	AH146234	KIT	1		UPPER HOUSING
2	AH136937	KIT	1		LOWER HOUSING
3	RE65695	SEAT SHOCK ABSORBER KIT	1		SHOCK ABSORBER
4	RE52553	SEAT SHOCK ABSORBER KIT	1		FORE/AFT

3F17

AIR SEAT SUSPENSION KITS
HP6192 -UN-03OCT95



HP6192

3F18

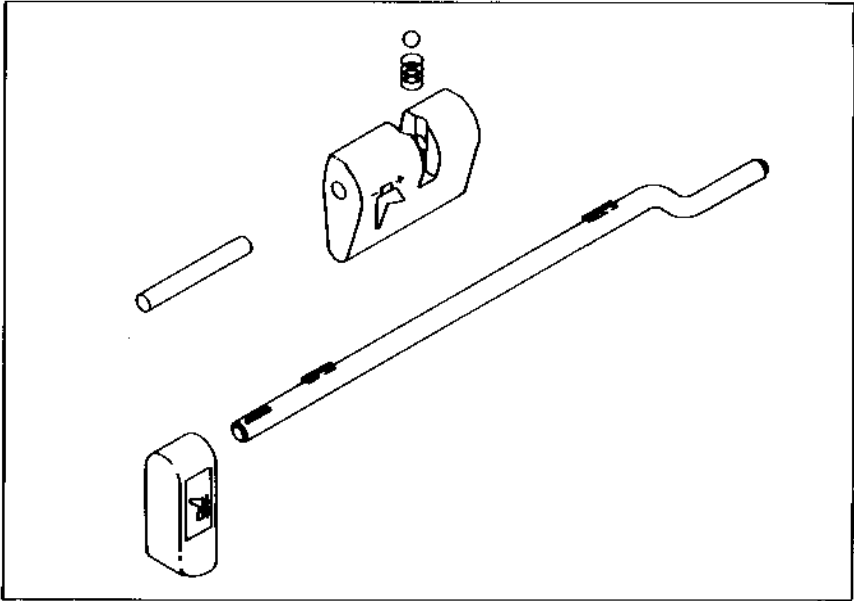
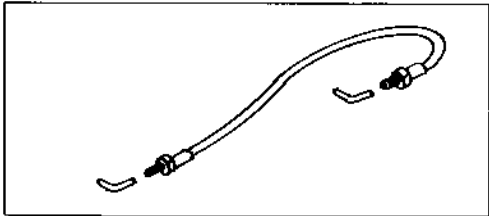
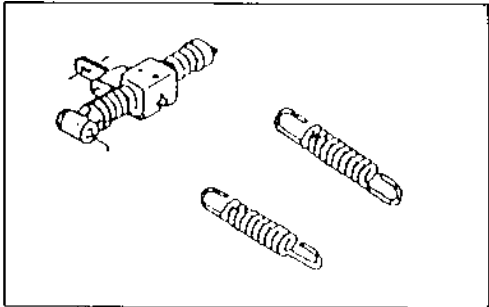
OPERATORS STATION

AIR SEAT SUSPENSION KITS - CONTINUED

KEY	PART NO.	PART NAME	QTY	SERIAL NO.	REMARKS
1	RE65693	COMPRESSOR FILTER KIT	1		
2	AH136929	KIT	1		COMPRESSOR
3	RE65694	AIR SPRING SEAT KIT	1		AIR SPRING
4	AH136930	KIT	1		HT. ADJ. SWITCH VALVE

3F19

AIR SEAT SUSPENSION KITS
HP6193 -UN-03OCT95



HP6193

3F20

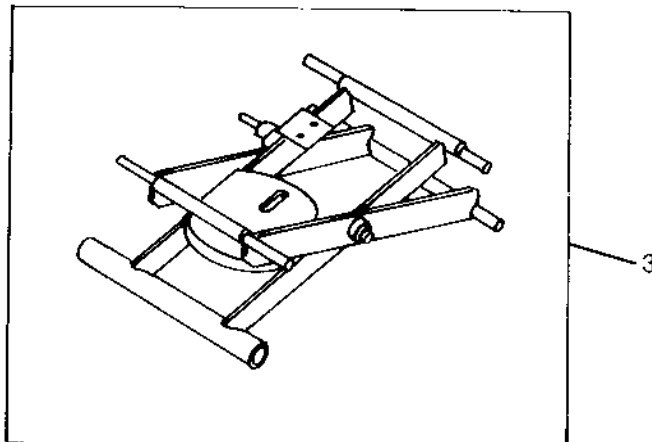
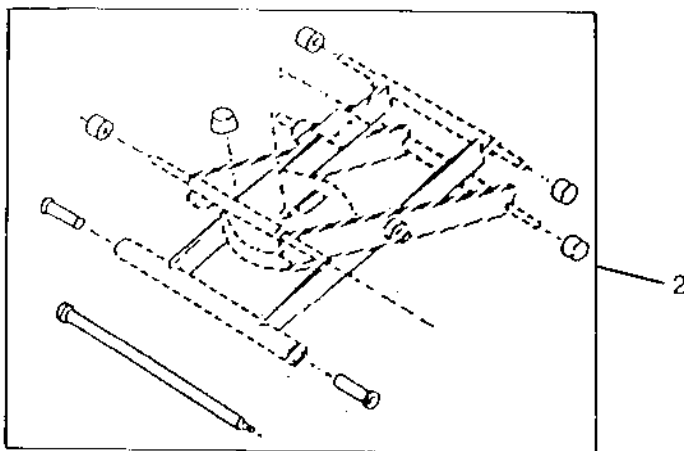
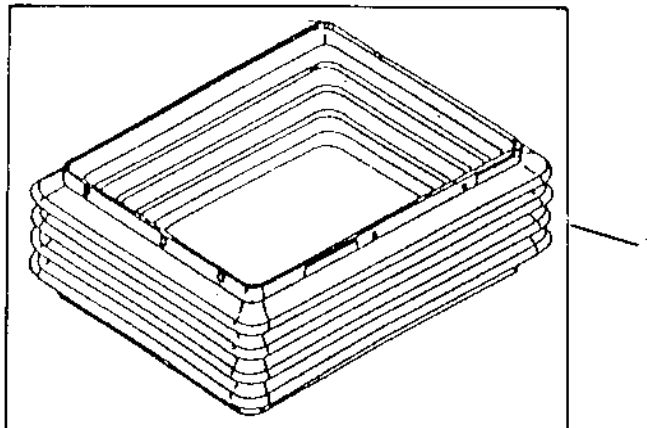
OPERATORS STATION

AIR SEAT SUSPENSION KITS - CONTINUED

KEY	PART NO.	PART NAME	QTY	SERIAL NO.	REMARKS
1	AH157634	KIT	1		FORE/AFT ISOLATOR
2	AH136935	KIT	1		RIDE FIRMNESS ADJ. CABLE
3	AH157557	KIT	1		KNOB

3F21

AIR SEAT SUSPENSION KITS
HP6194 -UN-03OCT95



HP6194

3F22

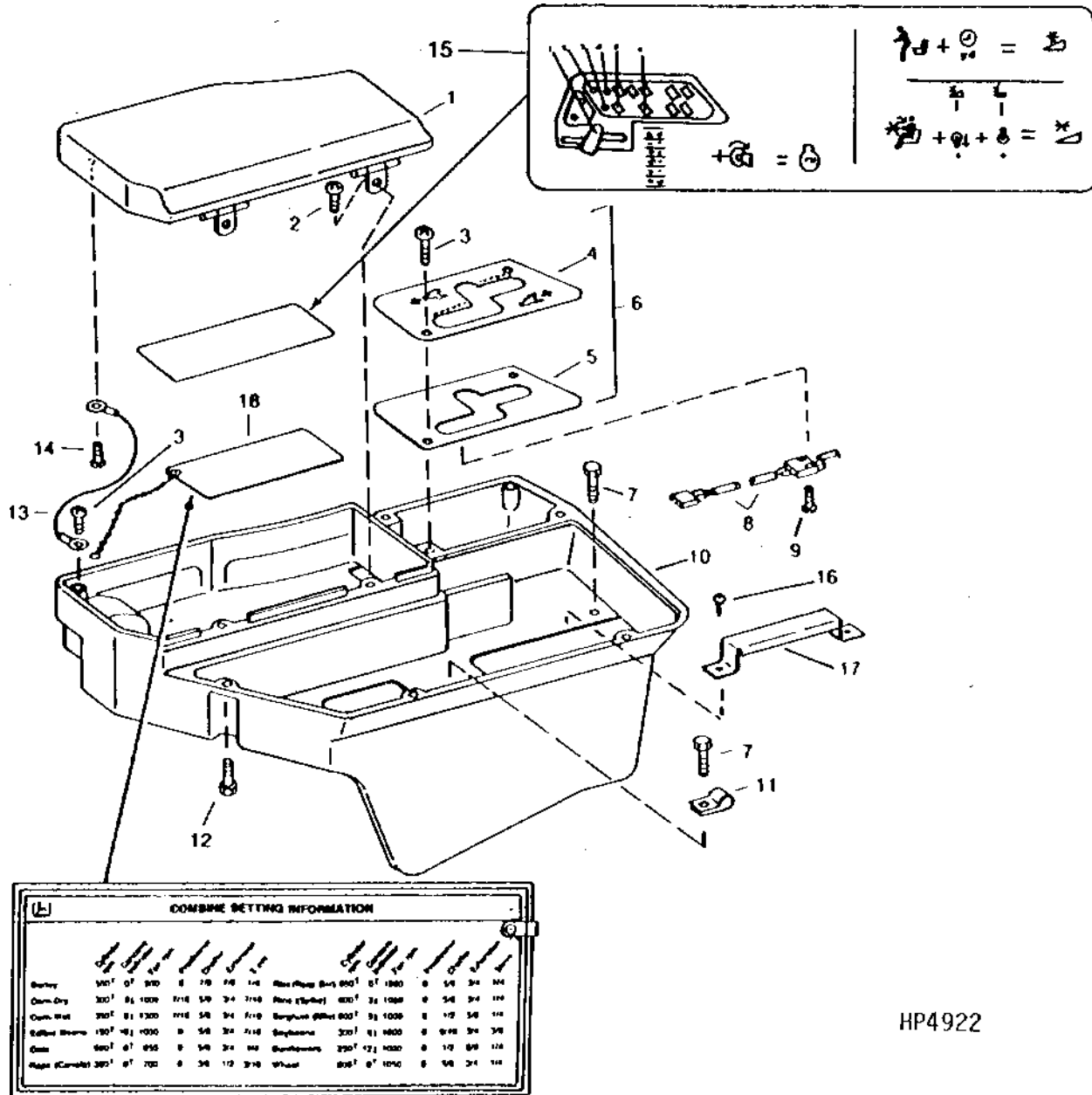
OPERATORS STATION

AIR SEAT SUSPENSION KITS - CONTINUED

KEY	PART NO.	PART NAME	QTY	SERIAL NO.	REMARKS
1	RE52555	SEAT SUSPENSION BOOT KIT	1		
2	RE63832	SEAT BEARING ROLLER KIT	1		
3	AH136936	KIT	1	SCISSOR	

3F23

ARMREST WITH GLOVE BOX (R.H.)
HP4922 -UN-01JAN94



HP4922

3F24

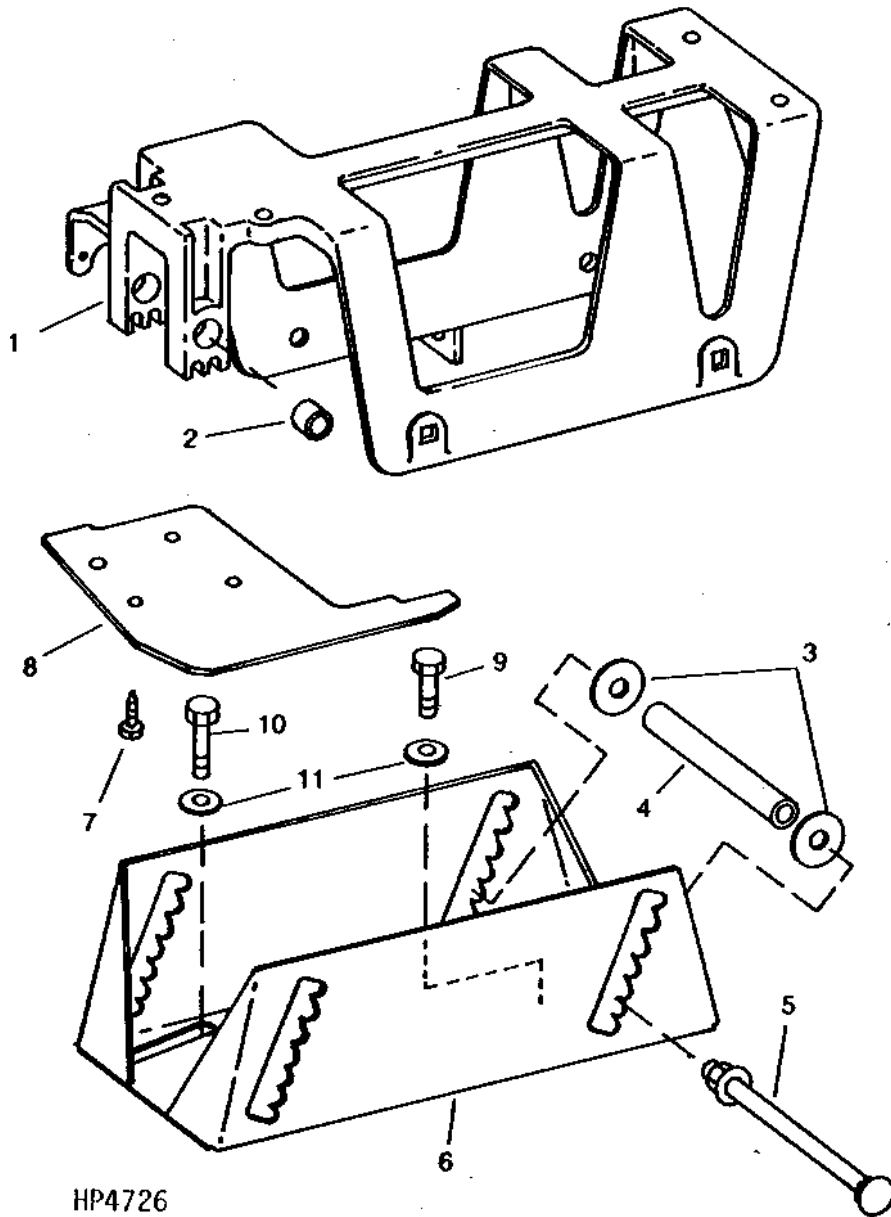
OPERATORS STATION

ARMREST WITH GLOVE BOX (R.H.) - CONTINUED

KEY	PART NO.	PART NAME	QTY	SERIAL NO.	REMARKS
1	AH117067	COVER	1	(SUB AH161925)	
	AH161925	PANEL	1		
2	H123995	SCREW	2		
3	H111706	SCREW	2		
4	H145082	PANEL	1		
5	GUIDE	1		
6	AH139119	DRAWER SLIDE	1		
7	37M7091	SCREW	4	M6 X 25	
8	AH163708	NEUTRAL START SWITCH	1	(SUB FOR AH127390)	ENGINE SAFETY START SWITCH
9	37M7066	SCREW	2		
10	H168425	CONSOLE	1	(SUB FOR H151165, H144244 OR H126470)	
11	H77358	CLIP	1		
12	H111705	SCREW	4		
13	AH124857	WIRING LEAD	1		
14	37M7215	SCREW	1		
15	H146315	LABEL	1		ENGINE START AND SEAT SAFETY SWITCH DECAL
16	H111364	SCREW	2	M3.5 X 12	
17	H140396	GUARD	1		
18	AH159204	LABEL	1		
	AH159024	INSTRUCTION PLATE	1	ENGLISH	

3G1

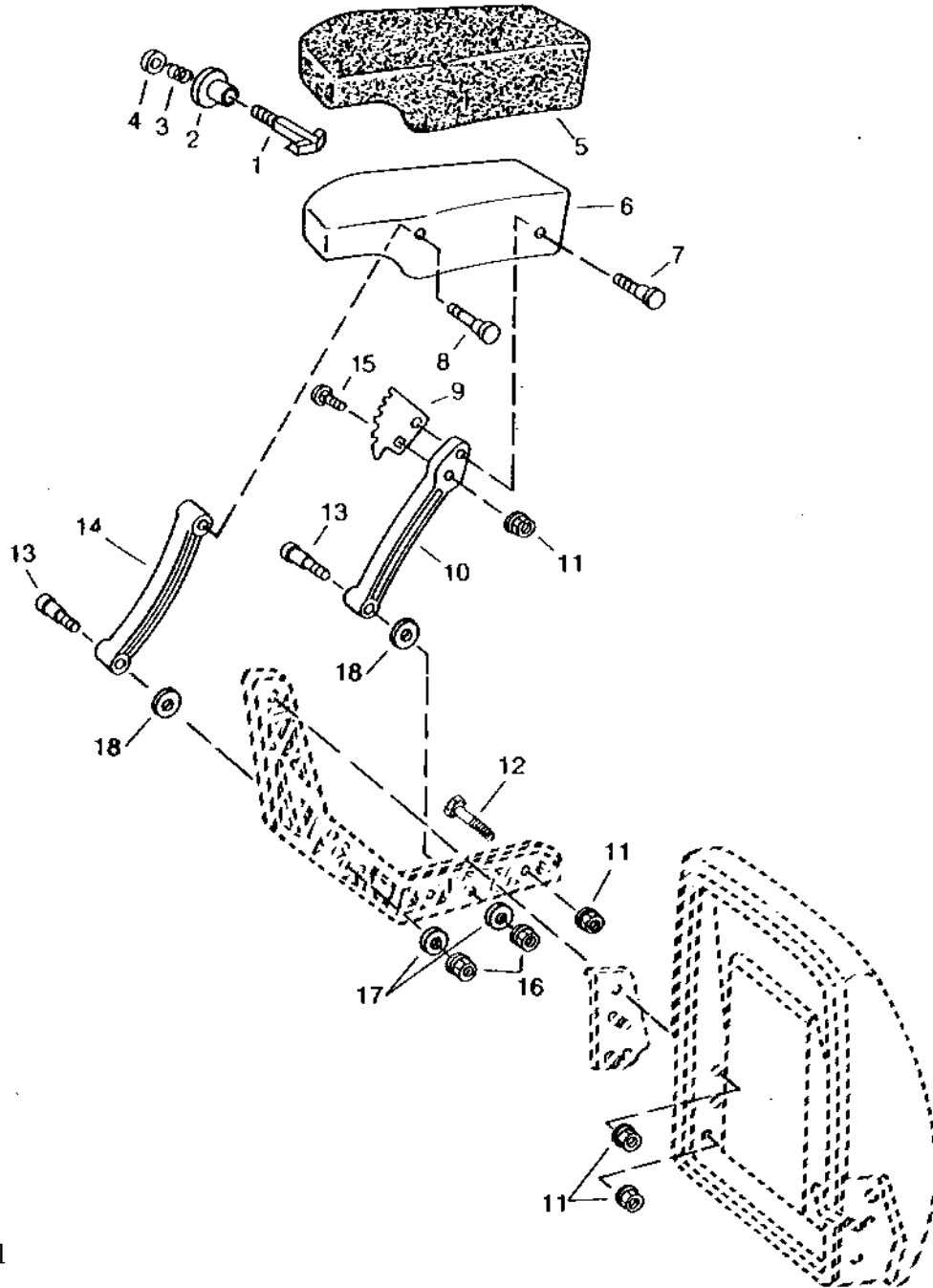
ARMREST ADJUSTING MECHANISM (R.H.)
HP4726 -UN-01JAN94



ARMREST ADJUSTING MECHANISM (R.H.) - CONTINUED

KEY	PART NO.	PART NAME	QTY	SERIAL NO.	REMARKS
1	H137854	SUPPORT	1		
2	H96455	BUSHING	2		
3	H137858	WASHER	4		11 X 34 X 3 MM
4	H137856	SPACER	2		
5	H137857	BOLT	2		M10 X 170
	H137859	FLANGE NUT	2		
6	H137855	SUPPORT	1		
7	37M7165	SCREW	3		
8	H143439	COVER	1		
9	19M8331	CAP SCREW	2		M8 X 20
10	19M8330	SCREW	1		M8 X 35
11	24M7207	WASHER	3		8.400 X 24 X 2 MM

ARMREST (L.H.)
HP3131 -UN-01JAN94



HP3131

3G4

OPERATORS STATION

ARMREST (L.H.) - CONTINUED

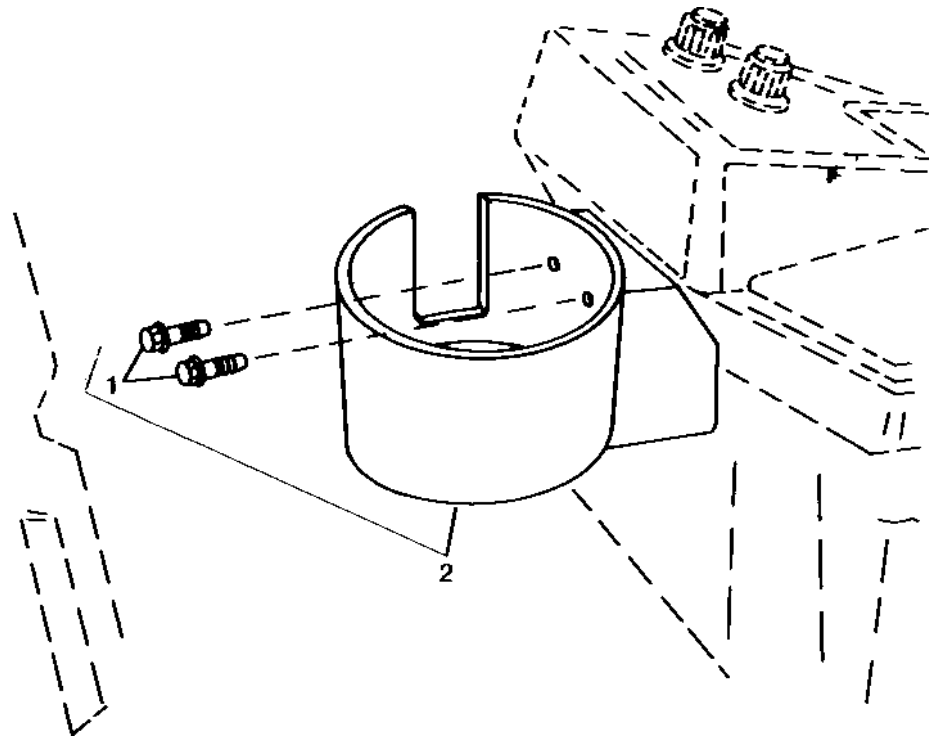
KEY	PART NO.	PART NAME	QTY	SERIAL NO.	REMARKS
1	R59070	SHAFT KEY	1		
2	R59028	BUSHING	1		
3	A4741R	SPRING	1		
4	R59029	KNOB	1		
5	H120099	CUSHION	1	-28SEP8	
	H168434	PANEL	1	28SEP8-	
6	R58816	ARMREST	1		MADE OF PLASTIC
7	R59021	PIN	1		
8	R59023	PIN	1		
9	R61862	PLATE	1		
10	R59020	LINK	1		
11	N10215	LOCK NUT	1		
12	R59015	GANG BOLT	1		
13	R59022	SCREW	2		
14	R59013	LINK	1		
15	03H1765	BOLT	1		
16	H99923	LOCK NUT	2		
17	R53665	WASHER	2		
18	R27441	WASHER	2		

3G5

OPERATORS STATION

CUP HOLDER

HP5912 -UN-17DEC94

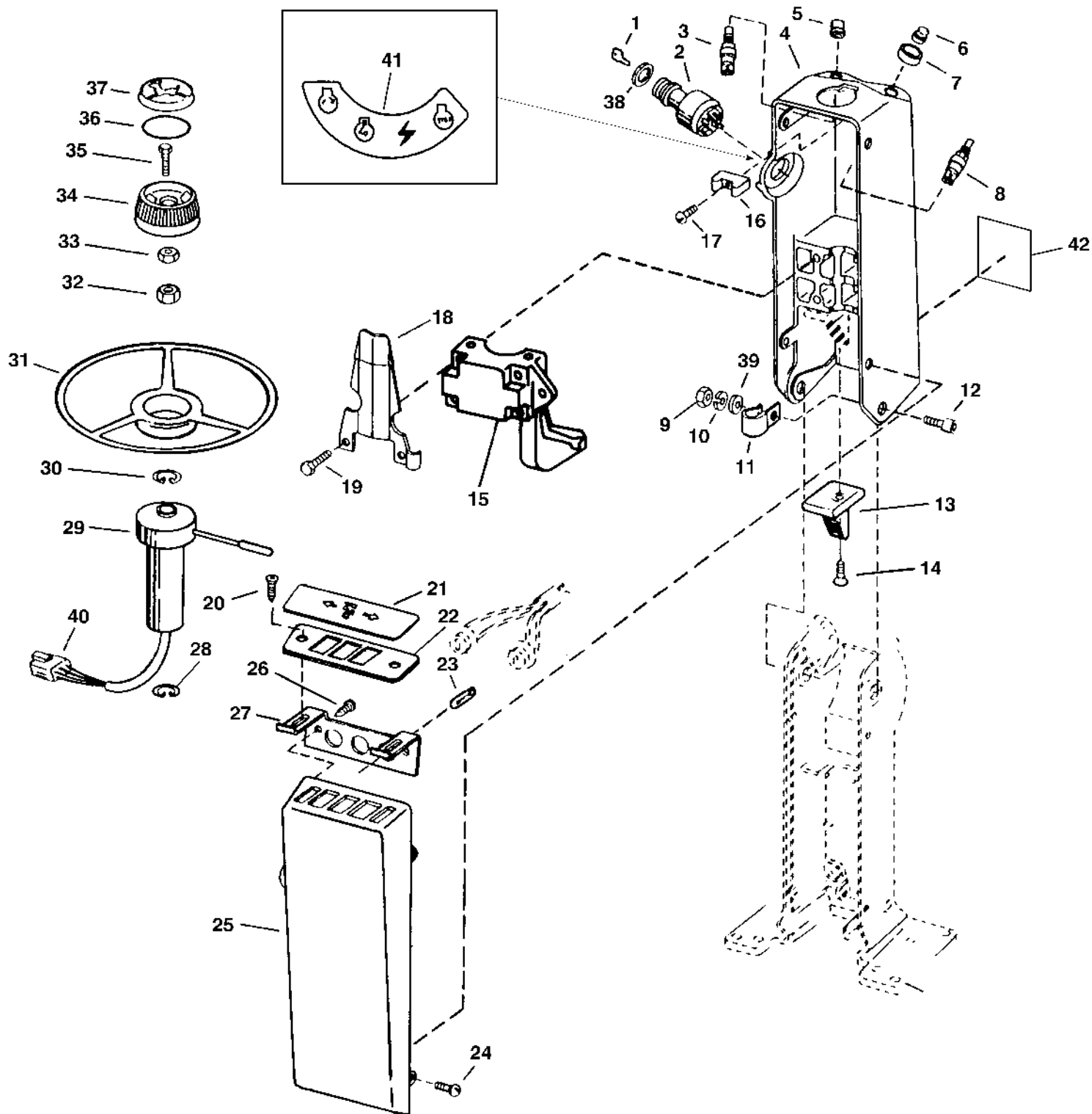


KEY	PART NO.	PART NAME	QTY	SERIAL NO.	REMARKS
1	H151166	SCREW	2	M6 X 16, (SUB H168428)	
	H168428	SCREW	2	M6 X 16	
2	AH145616	HOLDER	1		

MEMORANDA

STEERING COLUMN (UPPER)

HP6825 -UN-05SEP97



HP6825

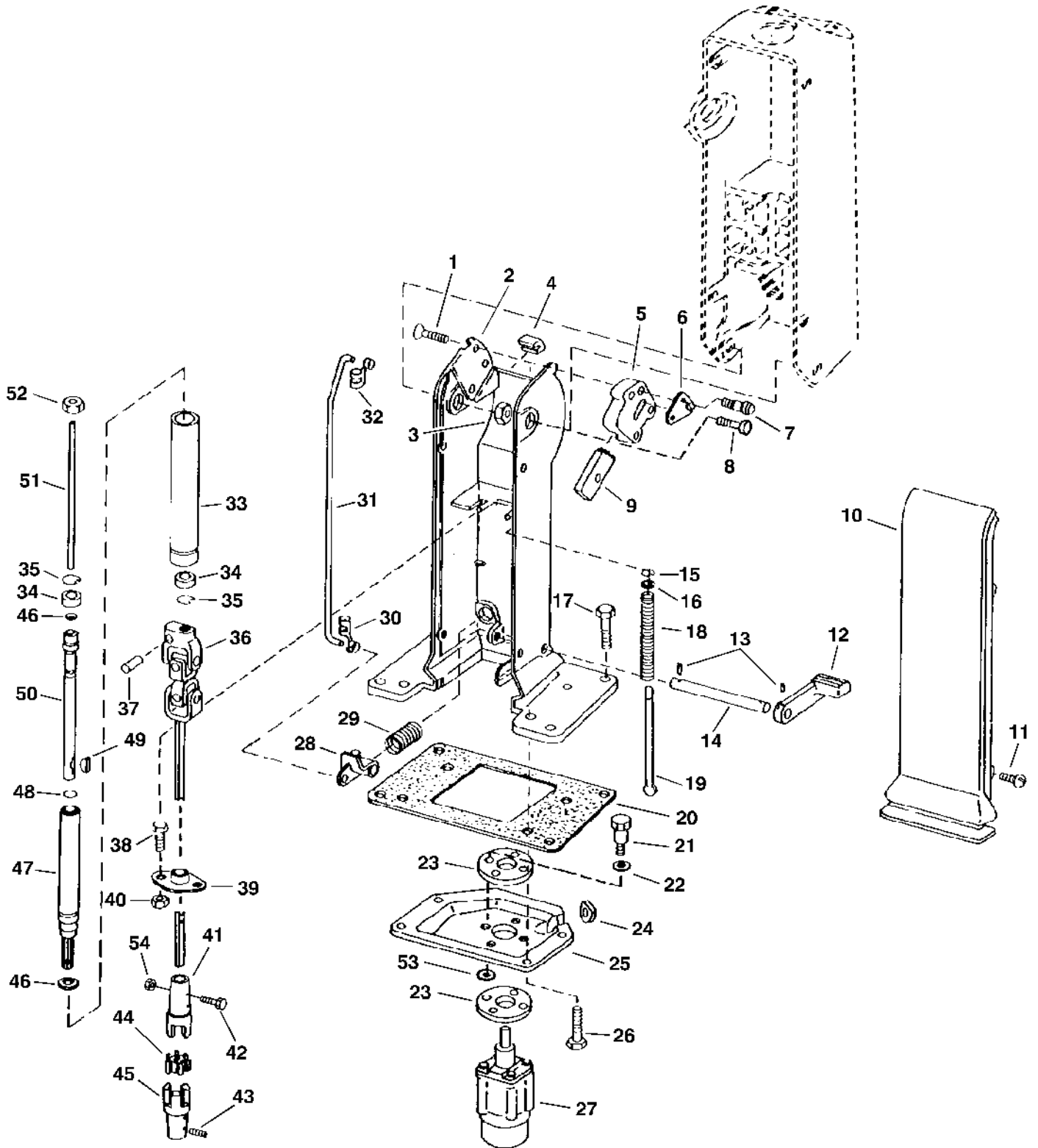
STEERING COLUMN (UPPER) - CONTINUED

KEY	PART NO.	PART NAME	QTY	SERIAL NO.	REMARKS
1	AR51481	KEY	1		
2	AH108816	SWITCH	1		KEY START SWITCH
3	R39554	SWITCH	1		HORN BUTTON
4	H152171	HOUSING	1		(SUB FOR H113858 OR H165292)
5	T55501	CAP	1		
6	T55585	CAP	1		
7	H132895	GUARD	1		
8	R39554	SWITCH	1		ETHER AID START BUTTON
9	14M7274	NUT	2		M10
10	12M7066	LOCK WASHER	2		10.200 MM
11	AH96317	CLIP	1		
12	H107687	SCREW	2		M10 X 23
13	H110812	GEAR	1		
14	H133205	SCREW	2		M8 X 25
15	H150383	CLAMP	1		
16	H113863	GUIDE	1		
17	37M7071	SCREW	1		
18	AH129255	GUARD	1		
19	19M7800	SCREW	4		M8 X 50
20	H132899	SCREW	1		
21	H146392	PANEL	1		
	H146393	PANEL	1		(EXPORT - ITALY)
22	H146391	PANEL	1		
23	AA27536	BULB	1		
24	H165693	SCREW	4		M6 X 12, (SUB FOR H130192)
25	H123873	COVER	1	-15JU98	
	H152170	COVER	1		(SUB FOR H165291)
26	37H6	SCREW	2		
27	H132897	RETAINER	1		
28	R26192	SNAP RING	1		
29	AH121340	TURN SIGNAL CONTROLLER	1		TURN SIGNAL
30	R26192	SNAP RING	1		
31	T22875	STEERING WHEEL	1		
32	14M7257	NUT	1		M20
33	14M7273	NUT	1		M8
34	H108822	KNOB	1		
35	19M3135	CAP SCREW	1		M8 X 40
36	B3690R	O-RING	1		
37	R47998	CAP	1		
38	R44342	NUT	1		
39	24M7040	WASHER	1		11 X 20 X 2 MM
40	AH116902	CONNECTOR	1		
41	H146042	LABEL	1		FOR IGNITION SWITCH
42	H156390	LABEL	1		

3G8

OPERATORS STATION

STEERING COLUMN (LOWER) HP6826 -UN-05SEP97



HP6826

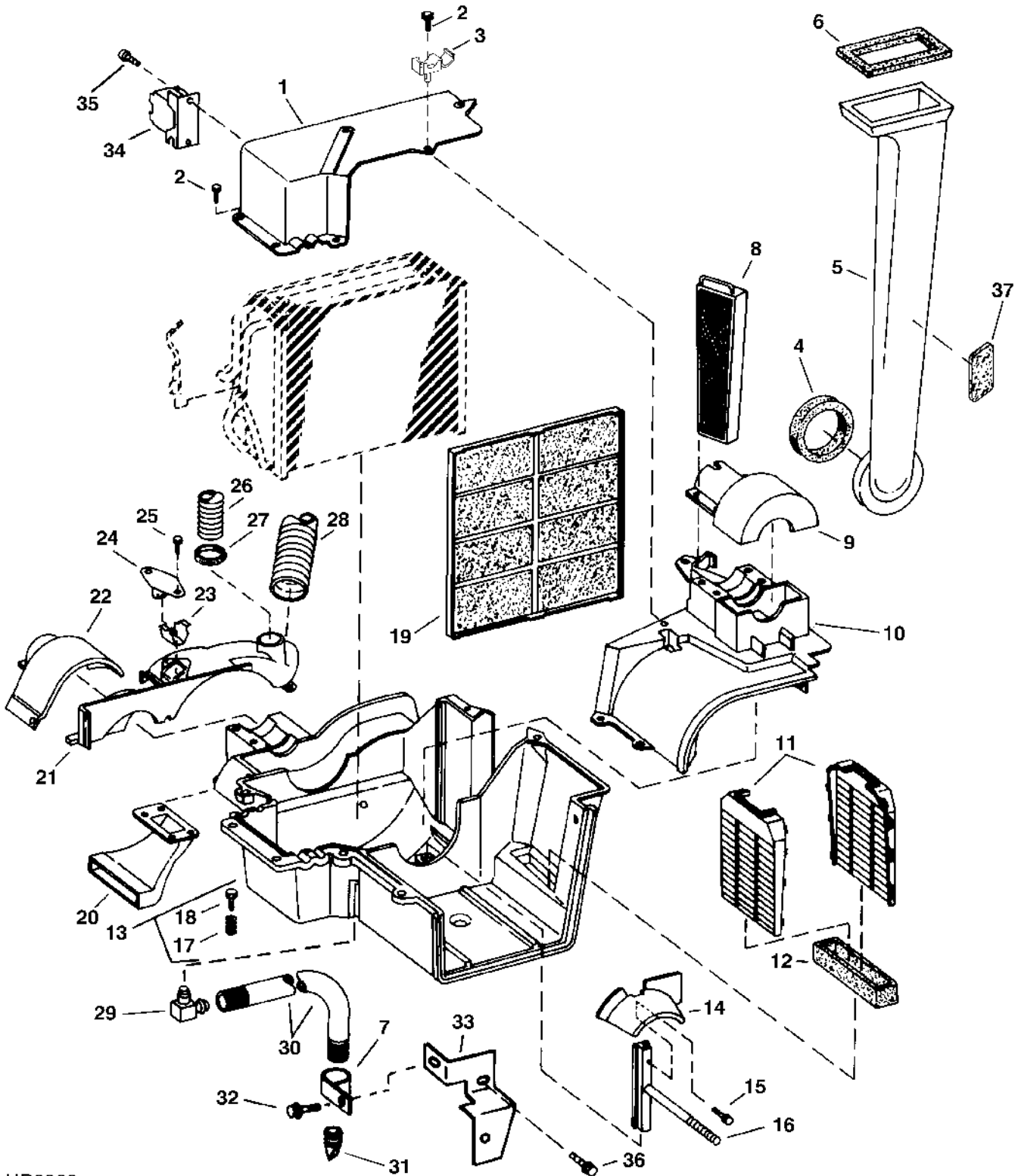
STEERING COLUMN (LOWER) - CONTINUED

KEY	PART NO.	PART NAME	QTY	SERIAL NO.	REMARKS
1	H133205	SCREW	3		M8 X 25
2	H152173	HOUSING	1		(SUB FOR H123877 OR H165294)
3	14M7274	NUT	2		M10
4	H107566	ISOLATOR	1		
5	H110310	HOUSING	1		
6	H110229	CRANK	1		
7	H131424	BOLT	2		M6 X 20.750
8	H107687	SCREW	2		M10 X 23
9	H141327	PAWL	1		
10	H152172	COVER	1		(SUB FOR H147192 OR H165293)
11	H165693	SCREW	4		M6 X 12, (SUB FOR H130192)
12	H152174	PEDAL	1		(SUB FOR H107581)
13	34M7102	SPRING PIN	2		5 X 26 MM
14	H113864	PIN	1		
15	H133106	SNAP RING	1		
16	24M7055	WASHER	1		8.400 X 16 X 1.600 MM
17	19M7800	SCREW	4		M8 X 50
18	H113404	SPRING	1		
19	H113402	ROD	1		
20	H123874	SEALANT	1		
21	H110700	BOLT	4		M8 X 34.750
22	24M7028	WASHER	4		10.500 X 20 X 2 MM
23	H134353	ISOLATOR	2		
24	H108725	GROMMET	1		
25	H123875	SUPPORT	1		
26	19M7867	SCREW	4		M8 X 25
27	AH142441	PUMP	1		
28	H107582	ARM	1		
29	H107584	SPRING	1		
30	R26501	CLIP	1		
31	H131186	ROD	1		
32	R26524	CLIP	1		
33	H107567	HOUSING	1		
34	AH97920	BALL BEARING	2		
35	H80753	SNAP RING	2		
36	AH139065	UNIVERSAL JOINT, WITH SHAFT	1		
37	34M7124	SPRING PIN	1		8 X 30 MM
38	19M7866	SCREW	2		M8 X 20
39	AH129236	BEARING	1		
40	14M7166	LOCK NUT	2		M8
41	H162569	COUPLING	1		STEERING
42	H164921	SCREW	1		
43	22M7072	SET SCREW	2		M6 X 10
44	H134624	ISOLATOR	1		
45	H134623	SPLINED COUPLING	1		
46	H99294	WASHER	2		22.606 X 27.813 X 0.813 MM
47	AH130429	STEERING SHAFT	1		
48	H36256	O-RING	1		
49	H137667	SHAFT KEY	1		
50	H107570	STEERING SHAFT	1		
51	H107586	PIN	1		
52	14M7257	NUT	1		M20
53	H141946	WASHER	4		8.330 X 15.880 X 1.520 MM
54	H137328	NUT	1	-2MAR98	
	14M7396	LOCK NUT	1	2MAR98-	

3G10

OPERATORS STATION

AIR CONDITIONING AND HEATER HOUSING AND FILTERS
HP6863 -UN-18AUG97



HP6863

3G11

OPERATORS STATION

AIR CONDITIONING AND HEATER HOUSING AND FILTERS - CONTINUED

KEY	PART NO.	PART NAME	QTY	SERIAL NO.	REMARKS
1	H150100	HOUSING	1	(SUB H161021)	
	H161021	HOUSING	1		
2	19M7862	SCREW	AR	M6 X 20	
3	H158830	CLIP	1		
4	H163397	SEAL	1		
5	H157566	AIR DUCT	1		
6	H153438	SEAL	1	(CUT FROM H88773)	
7	R46414	CLAMP	2		
8	AH115836	AIR FILTER	1	RECIRCULATING FILTER	
9	H115031	COVER	1		
10	AH120546	HOUSING	1		
11	H114142	PRESCREENER	1		
12	H118619	SEAL	1		
13	AH138601	HOUSING	1	(SUB FOR AH122444)	
14	H127978	DUST SHIELD	1		
15	37M7089	SCREW	AR	M6 X 12	
16	AH134884	SUPPORT	1		
17	H119362	BUSHING	1		
18	19M7862	SCREW	AR	M6 X 20	
19	AH120547	FILTER	1	EVAPORATOR FILTER	
20	H126589	AIR DUCT	1		
21	H158525	HOUSING	1		
22	H126590	COVER	1		
23	H130091	SHIELD	1		
24	AH125505	RESISTOR	1		
25	H123998	SCREW	AR		
26	H118872	LINE	1		
27	AR21999	HOSE CLAMP	2		
28	H118871	LINE	1		
29	H146429	FITTING	1		
30	H159636	TUBE	1		
31	H150385	CHECK VALVE	1		
32	19M7866	SCREW	1	M8 X 20	
33	H137326	SUPPORT	1		
34	RE48284	THERMOSTAT	1		
	AH144020	THERMOSTAT	1		
35	H111706	SCREW	2		
	H123998	SCREW	2		
36	19M7865	SCREW	2	M8 X 16	
	37M7058	SCREW	2	M8 X 20	
37	H119187	PAD	1		

3G13

OPERATORS STATION

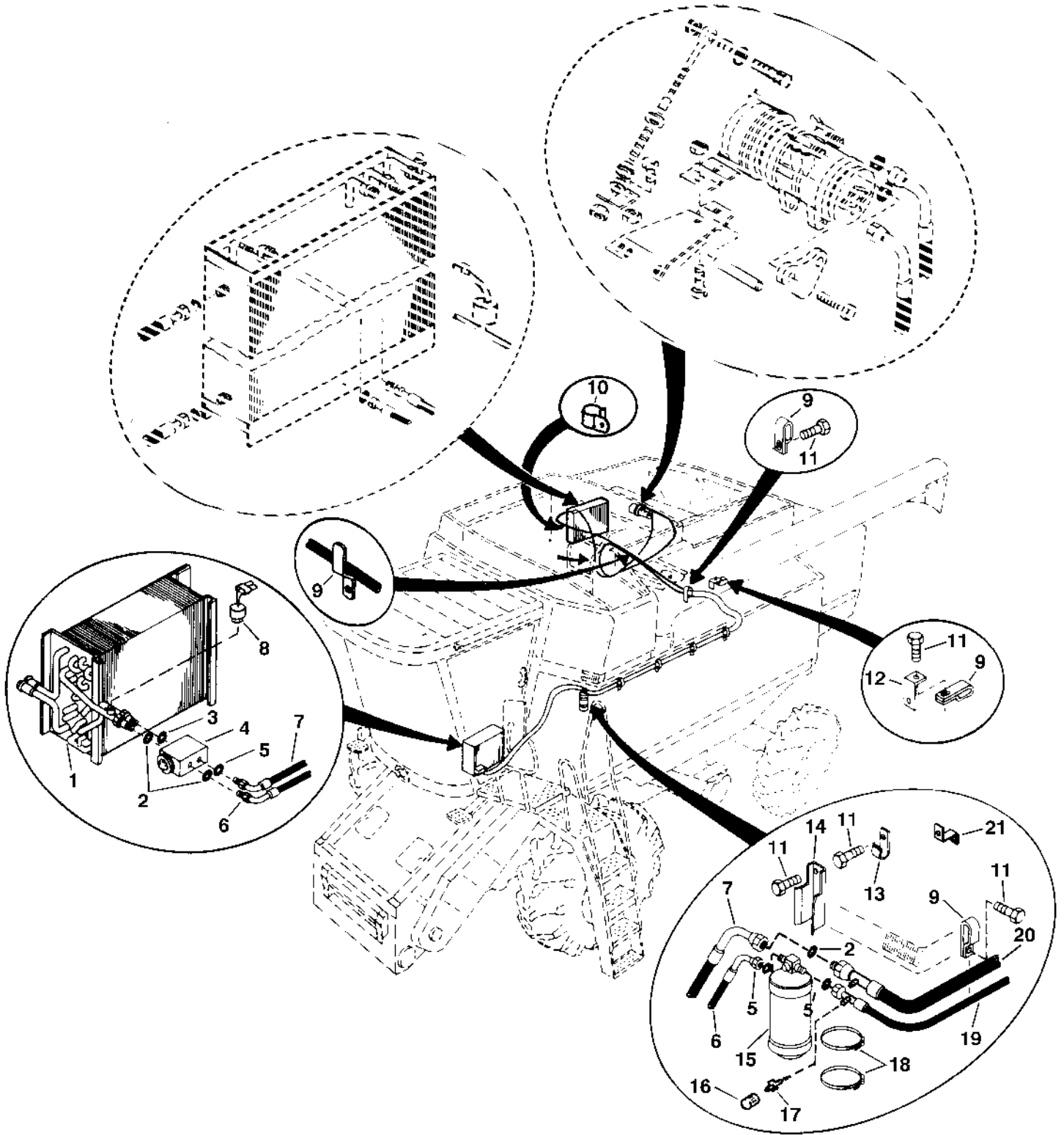
PRESSURIZER FAN AND AIR CONDITIONING / HEATER FAN - CONTINUED

KEY	PART NO.	PART NAME	QTY	SERIAL NO.	REMARKS
1	H115521	ISOLATOR	2		
2	AH128926	MOTOR	1		AC/HEATER FAN
3	H114046	BLOWER FAN	1		
4	24M7117	WASHER	AR		4.300 X 9 X 0.800 MM
5	14M7264	LOCK NUT	1		M4
6	AH128925	MOTOR	1		PRESSURIZER FAN, CAN ALSO BE USED ON MACHINES PRIOR TO SERIAL NUMBER 650525
	H129887	ISOLATOR	1		(USE WITH AH128925)
7	H124185	FAN	1		
8	T28586	CONNECTOR	1		

3G14

OPERATORS STATION

AIR CONDITIONING SYSTEM
HP6865 -UN-12SEP97



HP6865

3G15

OPERATORS STATION

AIR CONDITIONING SYSTEM - CONTINUED

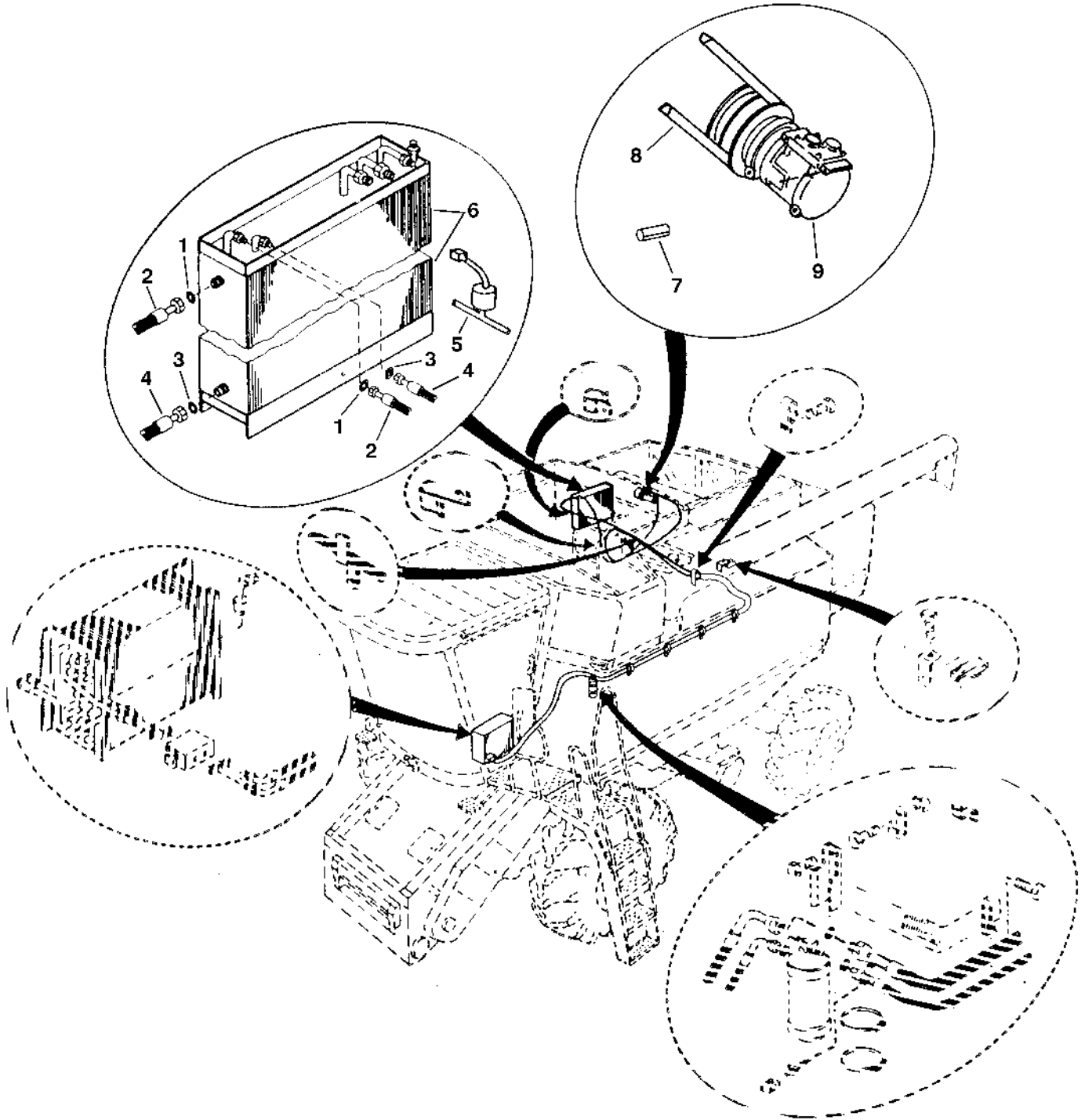
KEY	PART NO.	PART NAME	QTY	SERIAL NO.	REMARKS
1	AH132264	EVAPORATOR	1		
2	R33259	O-RING	1		
3	R113050	RING	1		
4	AH137702	VALVE	1		
5	R10093	O-RING	1		
6	AH127684	HOSE	1		
7	AH127685	HOSE	1		
8	AH144084	SWITCH	1		LOW PRESSURE
9	AH77869	CLIP	1		
10	AH96317	CLIP	1		
11	19M7913	SCREW	1		M8 X 90
12	H132662	BRACKET	1		
13	AH77724	CLIP	1		
14	H136541	HOSE SUPPORT	1		
15	AH137486	RECEIVER-DRYER	1		
16	R60172	NUT	1		
17	R124578	VALVE	1		
18	TY22474	CLAMP	1		
19	AH126036	HOSE	1		
20	AH158180	HOSE	1		
21	H132538	HOSE SUPPORT	1		

3G16

OPERATORS STATION

AIR CONDITIONING SYSTEM (FOR R134A REFRIGERANT)

HP6951 -UN-22JAN98



HP6951

3G17

OPERATORS STATION

AIR CONDITIONING SYSTEM (FOR R134A REFRIGERANT) - CONTINUED

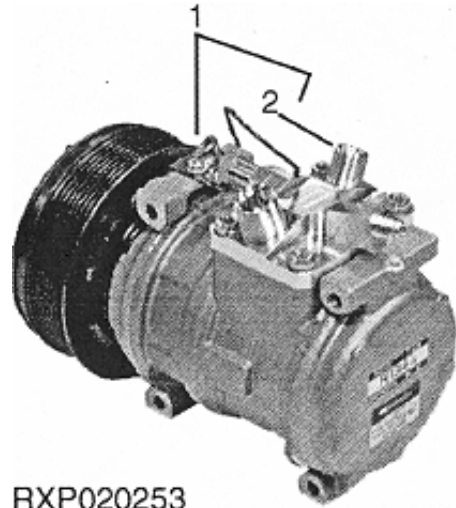
KEY	PART NO.	PART NAME	QTY	SERIAL NO.	REMARKS
1	R113050	RING	1		
2	AH142107	REFRIGERANT HOSE	1		(SUB AH159078)
	AH159078	REFRIGERANT HOSE	1		
3	R10093	O-RING	1		
4	AH142103	HOSE	1		(SUB FOR AH158179)
	AH159026	REFRIGERANT HOSE	1	675426-	
5	RE24307	HIGH PRESSURE SWITCH	1		HIGH PRESSURE
6	AH149588	VAPOR CONDENSER	1		OIL COOLER (TOP) AND A/C COND.
	AH149618	VAPOR CONDENSER	1		(SUB FOR AH140471) EVAPORATOR
7	P45458	BALL	1		
8	34M7189	SPRING PIN	2		11 X 8 MM
9	H163515	BELT	1		
10	RE46609	COMPRESSOR	1		
	TY6764	COMPRESSOR	1		
..	R120956	CAP	1		(USE WITH AH142103)

3G18

OPERATORS STATION

AIR CONDITIONING COMPRESSOR (FOR R134A REFRIGERANT)

RXP020253 -UN-01JAN94



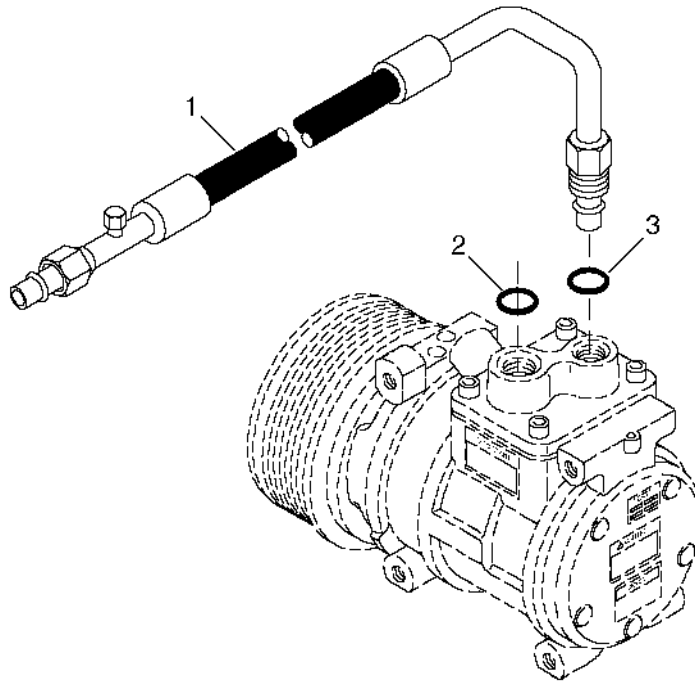
RXP020253

KEY	PART NO.	PART NAME	QTY	SERIAL NO.	REMARKS
1	RE52454	COMPRESSOR	1		(WITHOUT MANIFOLD AND SEAL)
2	RE51052	MANIFOLD	1		
..	R115742	SEAL	1		
..	TY22025	OIL	1		(SUB TY22101) 250 ML
..	TY22101	OIL	1		
..	TY15949	REFRIGERANT	1		12 LBS (R134A)
..	TY15950	REFRIGERANT	1		15 LB (R134A)
..	TY15951	REFRIGERANT	1		30 LBS. (R134A)
..	RE46609	COMPRESSOR	1		
..	TY6764	COMPRESSOR	1		

3G19

OPERATORS STATION

AIR CONDITIONING COMPRESSOR HOSE
HP8880 -UN-04AUG99



HP8880

KEY	PART NO.	PART NAME	QTY	SERIAL NO.	REMARKS
1	AH159078	REFRIGERANT HOSE	1		A/C PRESSURE
2	R113050	RING	AR		ON PRESSURE PORT
3	R33259	O-RING	AR		ON SUCTION PORT

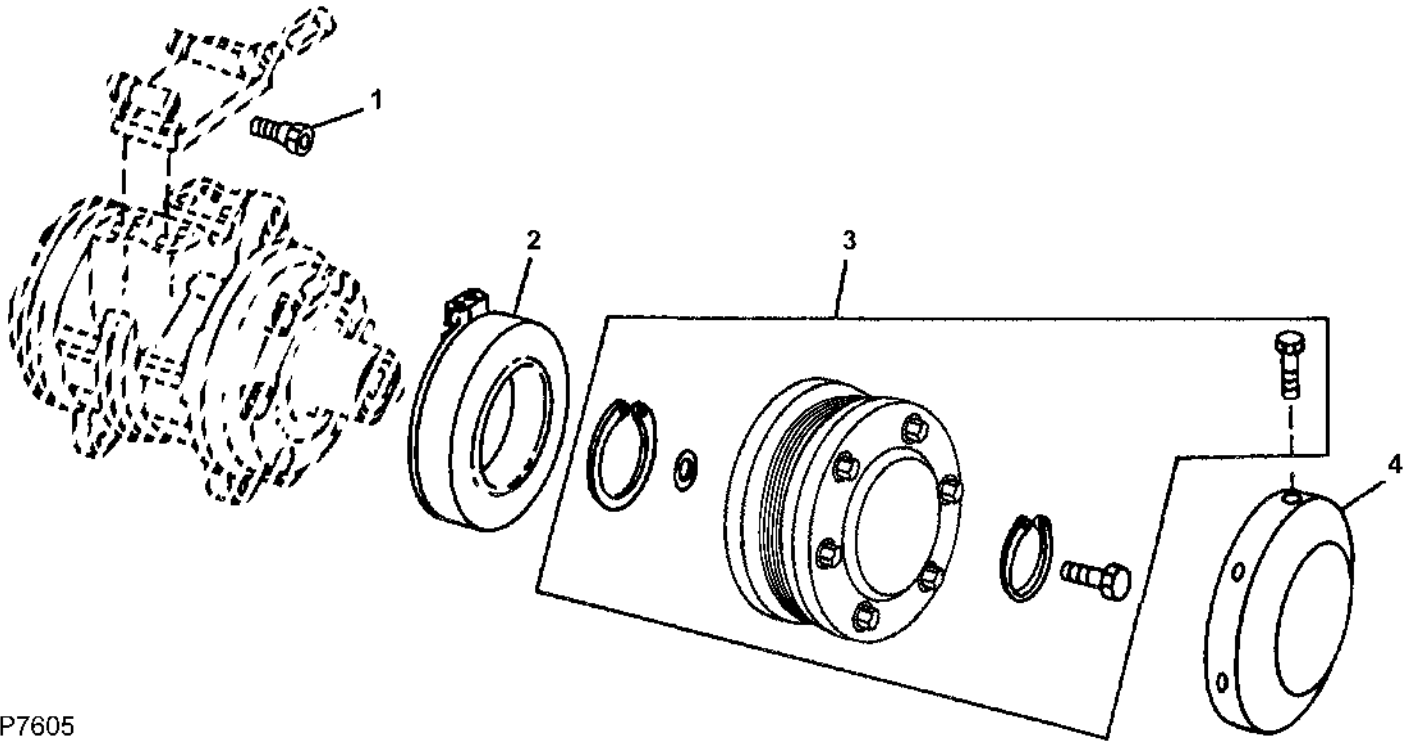
MEMORANDA

3G20

OPERATORS STATION

COMPRESSOR CLUTCH/STATOR/DUST COVER (FOR R134A REFRIGERANT)

HP7605 -UN-20AUG98

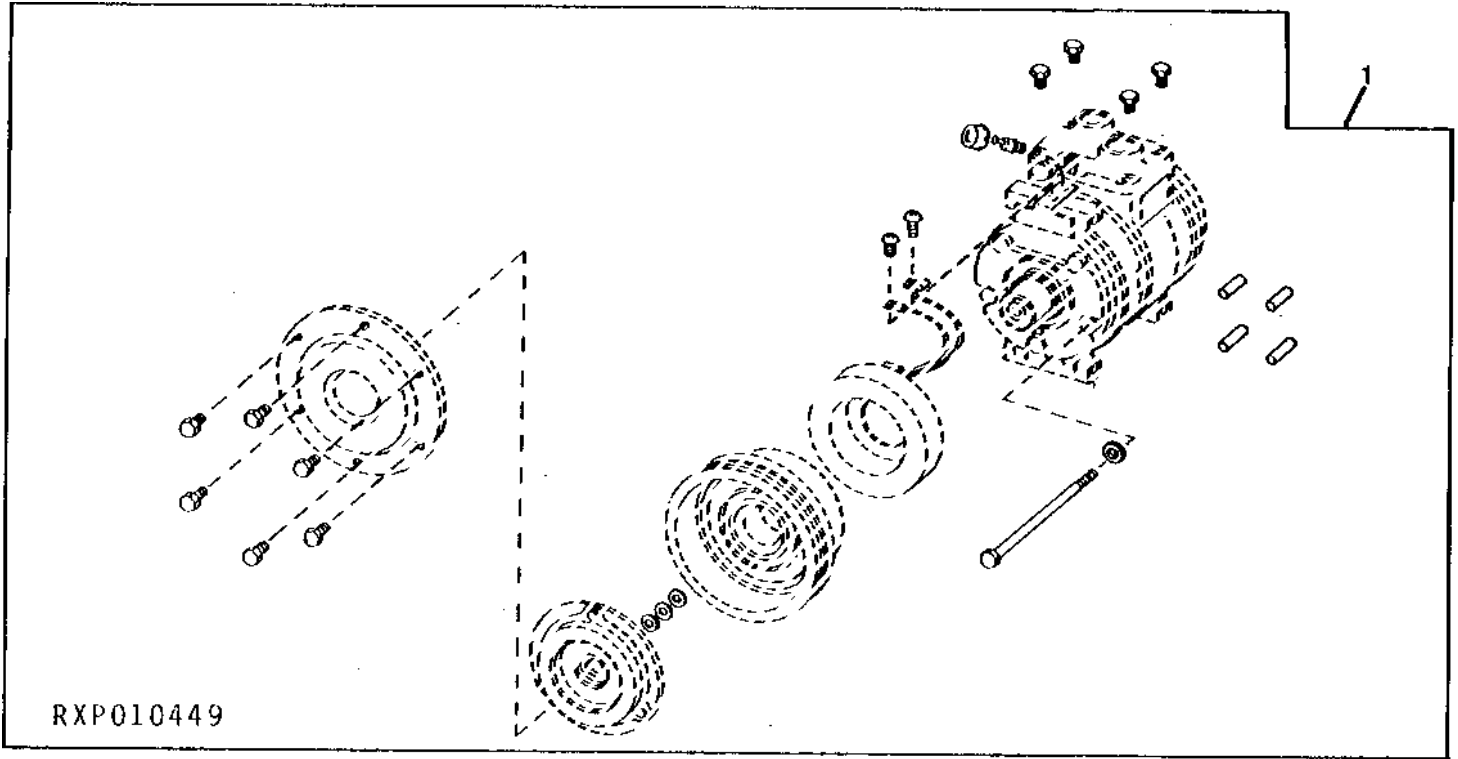


HP7605

KEY	PART NO.	PART NAME	QTY	SERIAL NO.	REMARKS
1	RE52506	VALVE	1		
2	RE52510	STATOR	1		
3	RE52508	KIT	4		
4	R115743	COVER	1		

COMPRESSOR HARDWARE SET (FOR R134A REFRIGERANT)

RXP010449 -UN-01JAN94



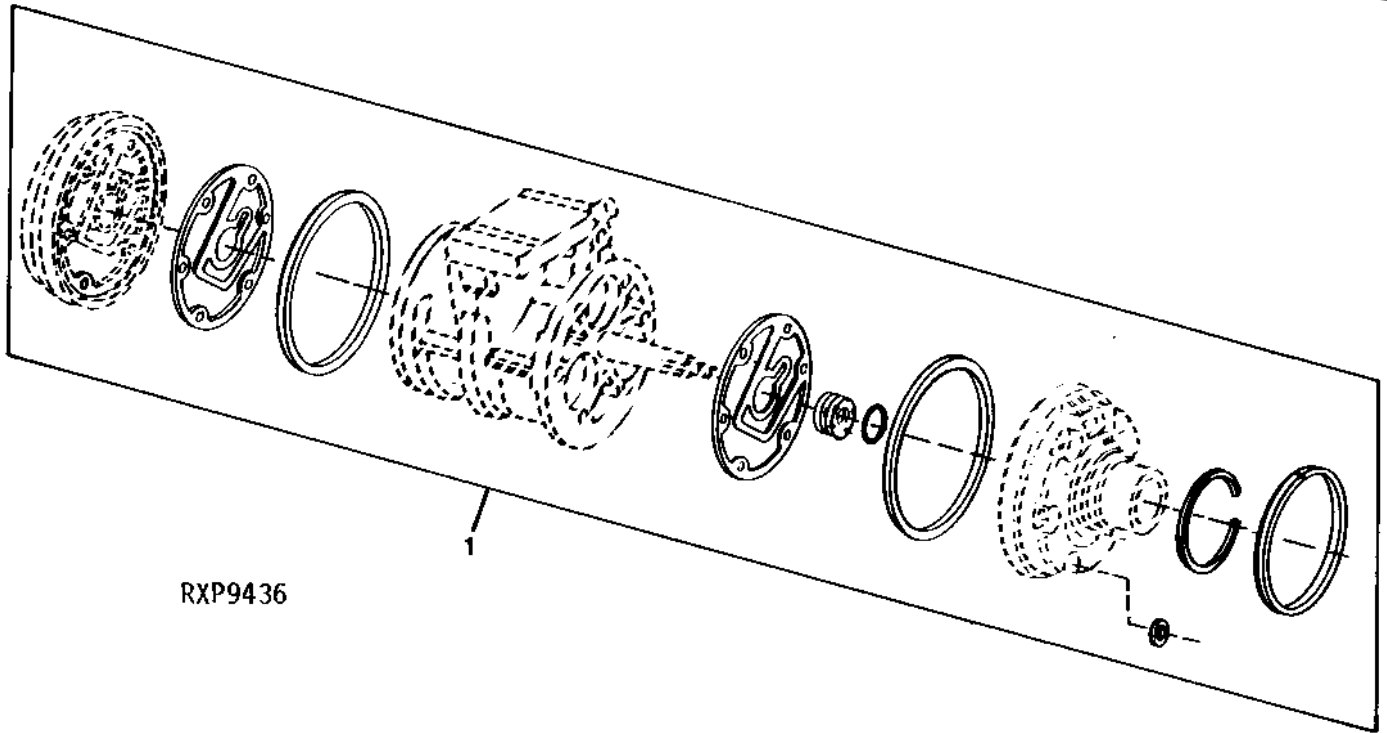
KEY	PART NO.	PART NAME	QTY	SERIAL NO.	REMARKS
1	RE52507	KIT	1		

3G22

OPERATORS STATION

COMPRESSOR PARTS (FOR R134A REFRIGERANT)

RXP9436 -UN-01JAN94



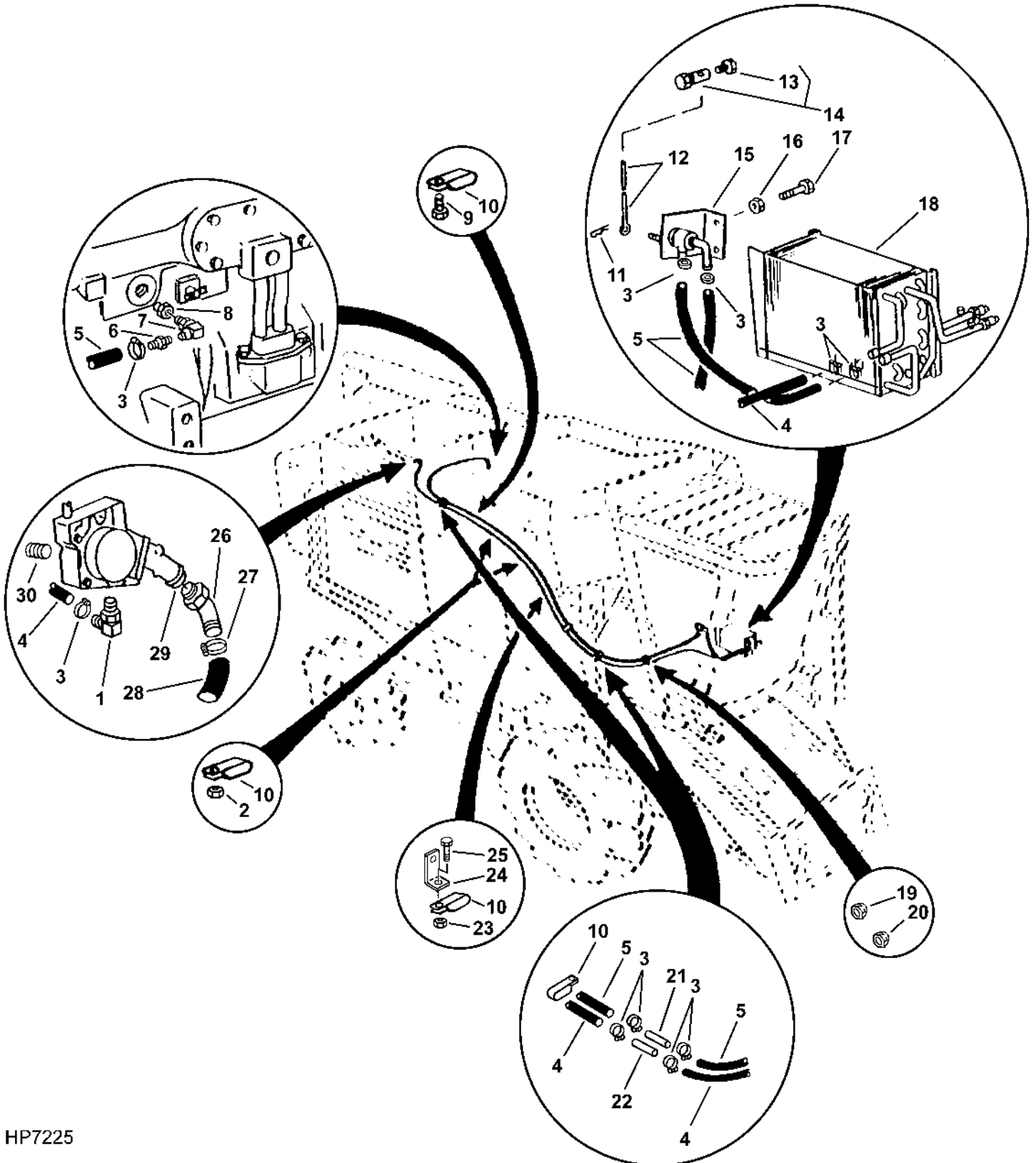
RXP9436

KEY	PART NO.	PART NAME	QTY	TRACTOR SERIAL NO.	REMARKS
1	RE52509	SEAL KIT	1		

3G23

OPERATORS STATION

HEATER SYSTEM
HP7225 -UN-28OCT97



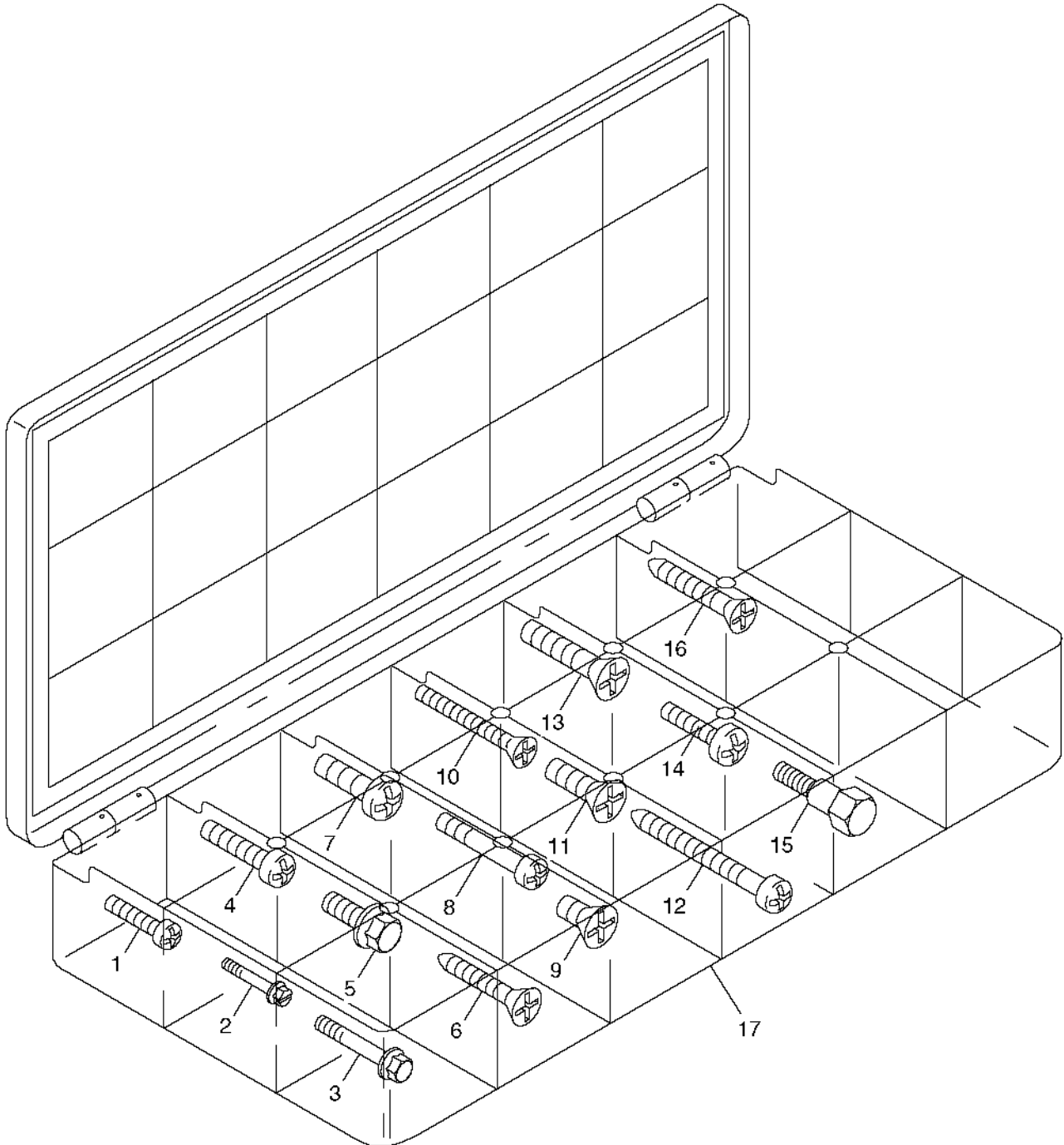
HP7225

HEATER SYSTEM - CONTINUED

KEY	PART NO.	PART NAME	QTY	SERIAL NO.	REMARKS
1	AH64349	HOSE FITTING	1		
2	14M7296	FLANGE NUT	1	M10	
3	TY22465	HOSE CLAMP	7		
4	TY22330	BULK HOSE	3		CUT AS REQUIRED
5	TY22328	BULK HOSE	1		(CUT TO LENGTH)
6	H23196	FITTING	1		
7	15H200	ELBOW FITTING	1		
8	15H565	PIPE BUSHING	1		
9	19M7865	SCREW	1		M8 X 16
	19M7784	SCREW	1	20AP98-	M10 X 20
10	H117952	CLAMP	4		
	AH77869	CLIP	1	20AP98-	
11	H132922	COTTER PIN	1		
12	H134655	PIN	1		
13	SCREW	1		
14	AH130610	BALL JOINT	1		
15	AH127974	CONTROL VALVE	1		
16	14M7303	FLANGE NUT	1	M6	
17	19M7775	SCREW	1		M6 X 16
18	AH132264	EVAPORATOR	1		HEATER AND EVAPORATOR COMBINATION
19	R50456	GROMMET	1		
20	H36221	GROMMET	1		
21	H153721	COUPLING	1		
22	H153722	COUPLING	1		
23	14M7298	FLANGE NUT	1	M8	
24	H132662	BRACKET	1		
25	19M7866	SCREW	1		M8 X 20
26	H146887	TUBE	1		(SUB H164854)
	H164854	ADAPTER	1		
27	AR21999	HOSE CLAMP	1		
28	AH137758	HOSE	1		HEATER RETURN
29	29H593	THREADED NIPPLE	1		
	15H600	COUPLING	1		
30	15H515	PIPE BUSHING	1		
..	H77698	TIE BAND	1		

3H1

CAB HARDWARE KIT
HP3731 -UN-01SEP99



HP3731

3H2

OPERATORS STATION

CAB HARDWARE KIT - CONTINUED

KEY	PART NO.	PART NAME	QTY	SERIAL NO.	REMARKS
1	H110842	SCREW	10		3.5 M X 20
2	H111364	SCREW	10		3.5 M X 12
3	H111705	SCREW	10		5.5 M X 19
4	H111706	SCREW	10		4.2 M X 16
5	H114038	SCREW	5		6.480 M X 12
6	H119088	SCREW	10		4.2 M X 25
7	H123995	SCREW	10		6.480 M X 18
8	H128859	SCREW	5		4.826 X 22.280 MM (0.190" X 0.877")
9	H165693	SCREW	5		M6 X 12, (SUB FOR H130192)
10	H130194	CAP SCREW	10		M4 X 30
11	H158579	SCREW	4		M5 X 12
12	H130298	SCREW	3		M5 X 40
13	H165691	SCREW	10		M6 X 20, (SUB FOR H131591 OR H168780)
14	37M7182	SCREW	10		4.8 M X 19
15	H131424	BOLT	3		M6 X 20.750
16	H132899	SCREW	5		4.2 M X 25
17	AH133088	KIT	1		

MEMORANDA

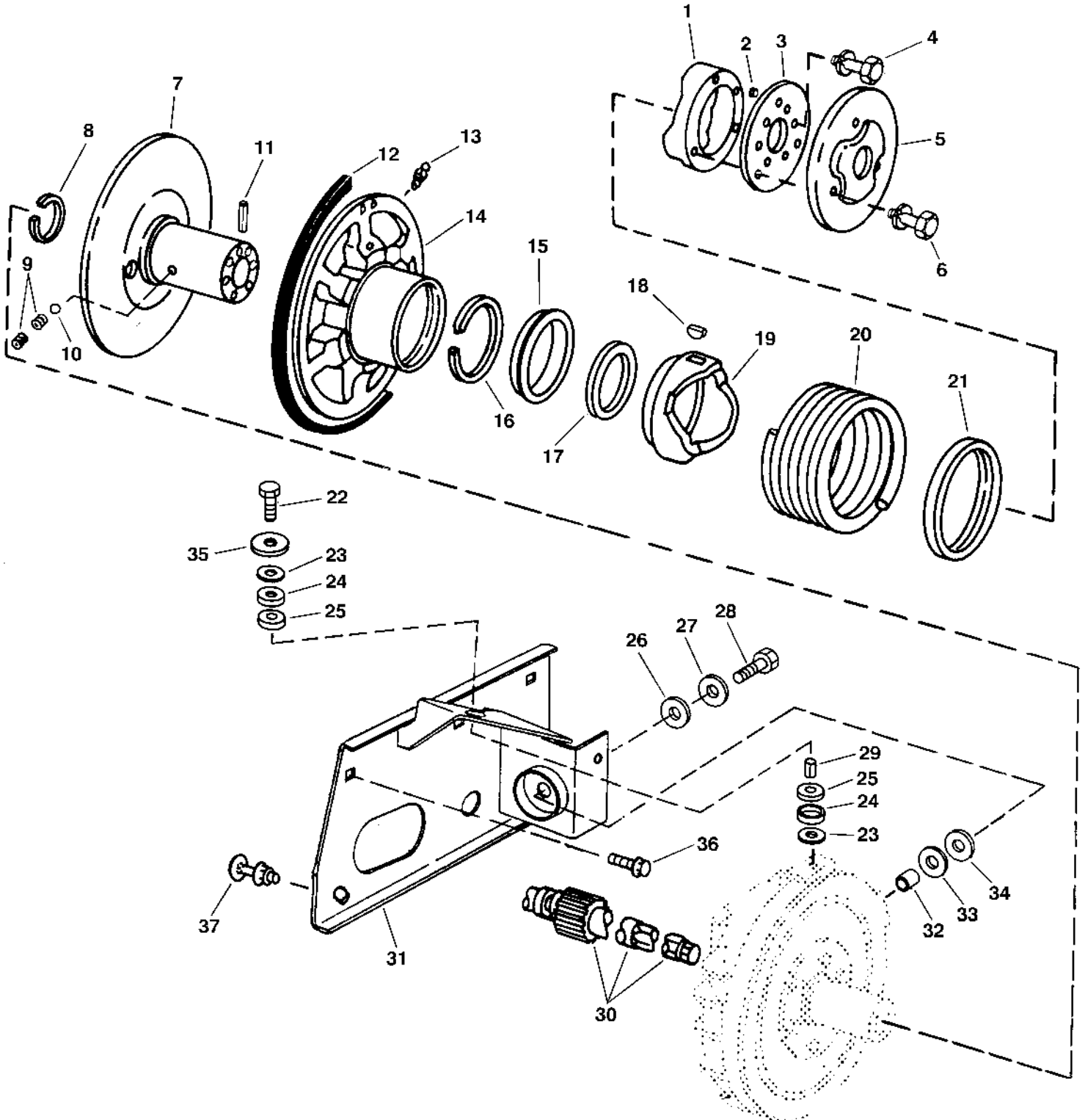
MEMORANDA

3H5

FEEDER HOUSE

FRONT VARIABLE DRIVE SHEAVE AND MOUNTINGS

HP7138 -UN-22SEP97



HP7138

3H6

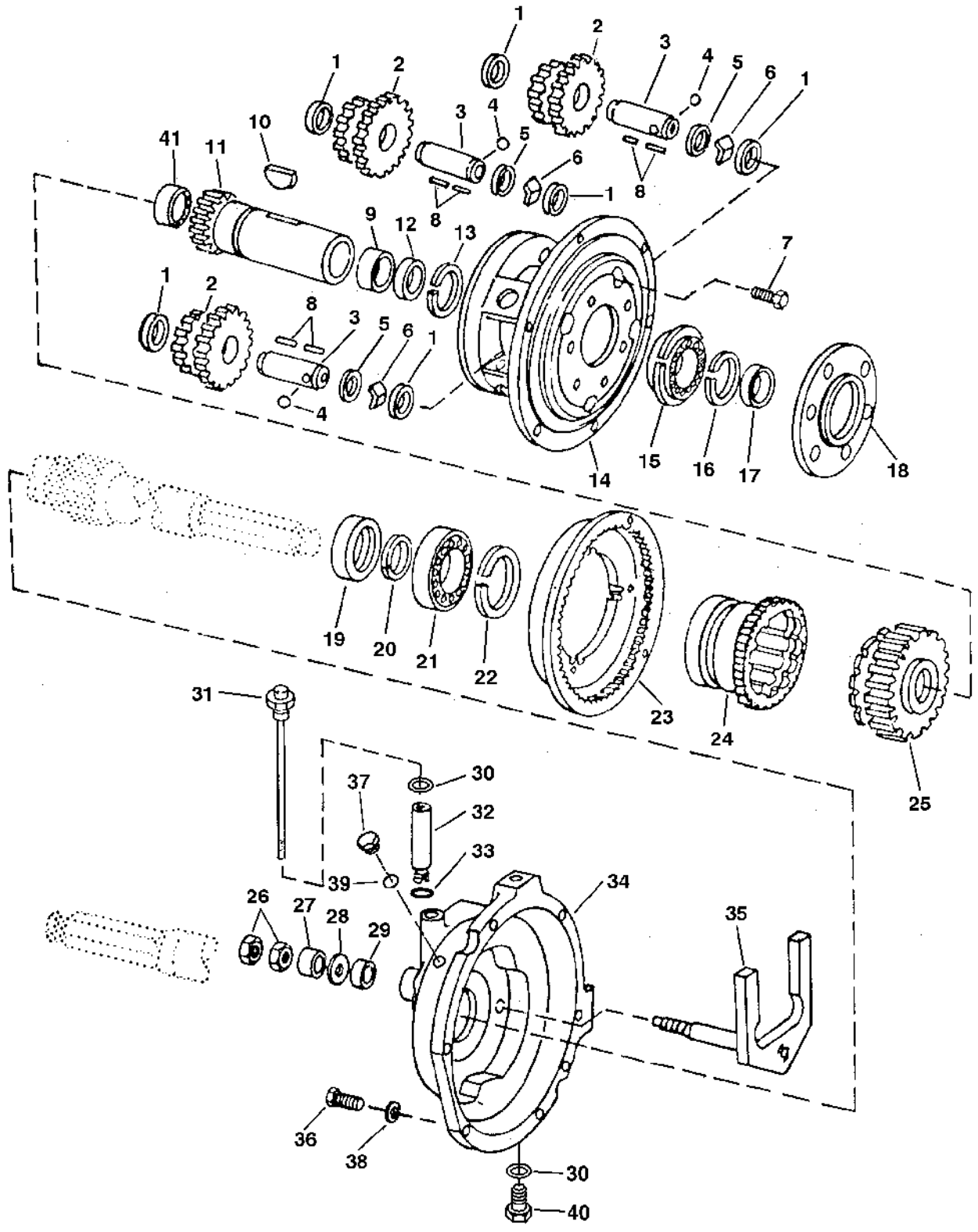
FEEDER HOUSE

FRONT VARIABLE DRIVE SHEAVE AND MOUNTINGS - CONTINUED

KEY	PART NO.	PART NAME	QTY	SERIAL NO.	REMARKS
1	CAM	1	(A) (ORDER AH138751) INNER	
2	32243	PLUG	1		
3	H170645	SPACER	1	(SUB FOR H107793)	
4	19H1936	CAP SCREW	6	3/8" X 3/4"	
	12H304	LOCK WASHER	6	3/8"	
5	H155459	RETAINER	1		
6	19H3034	CAP SCREW	3	3/8" X 3"	
	12H304	LOCK WASHER	3	3/8"	
7	H168126	SHEAVE	1	(SUB FOR H108673)	
8	B3118R	SNAP RING	1		
9	22H775	SET SCREW	2	5/16" X 1/4"	
10	H110922	BALL	1	0.236"	
11	34M7255	SPRING PIN	1	6 X 50 MM	
12	H161648	BELT	1		
13	JD7798	LUBRICATION FITTING	2		
14	AH157933	SHEAVE	1		
15	H110728	RETAINER	1		
16	H97308	SNAP RING	1		
17	AH108161	SEAL	1		
18	26H104	SHAFT KEY	1	5/16" X 2-1/8"	
19	CAM	1	(A) (ORDER AH138751) OUTER	
20	H169604	COMPRESSION SPRING	1	(SUB FOR H157067)	
21	AH96345	SEAL	1		
22	19M7827	SCREW	1	M16 X 80	
23	P50456	WASHER	2	16.301 X 76.200 X 4.500 MM (0.642" X 3" X 0.177")	
24	H148132	BUSHING	2		
25	H148133	RETAINER	2		
26	T55761	SUPPORT	1		
27	R20136	WASHER	1	19.837 X 69.850 X 6.350 MM (25/32" X 2-3/4" X 1/4")	
28	19M7845	SCREW	1	M16 X 90	
29	H148134	SPACER	1		
30	AH97642	SHAFT	1	VARIABLE AND FIXED SPEED	
	AH136873	SHAFT	1	(SUB AH152937) CONTOUR MASTER	
	AH152937	SHAFT	1	CONTOUR MASTER (USE WITH AH149349 (DRIVE SPROCKET) AND H170634 (TONE WHEEL))	
31	AH144099	SUPPORT	1		
32	H95417	SPACER	1		
33	H97410	WASHER	1	26 X 108 X 6 MM (1.024" X 4.252" X 0.236")	
34	R62502	SUPPORT	1		
35	24M7241	WASHER	1	17 X 34 X 4 MM	
36	19M7784	SCREW	1	M10 X 20	
37	03M7191	BOLT	4	M10 X 25	
	14M7296	FLANGE NUT	5	M10	
	03M7192	BOLT	1	M10 X 30	
..	T43512	SEALANT	1	50 ML SIZE (CANADA PART NO. TY9477)	
..	T43515	ANTI-SEIZE COMPOUND	1	50 ML SIZE	
..	TY6333	GREASE	1	14 OZ. TUBE	
..	AH138751	KIT	1	INCLUDES PARTS MARKED WITH (A).	

3H7

REVERSER GEAR BOX
HP7524 -UN-15APR98



HP7524

3H8

FEEDER HOUSE

REVERSER GEAR BOX - CONTINUED

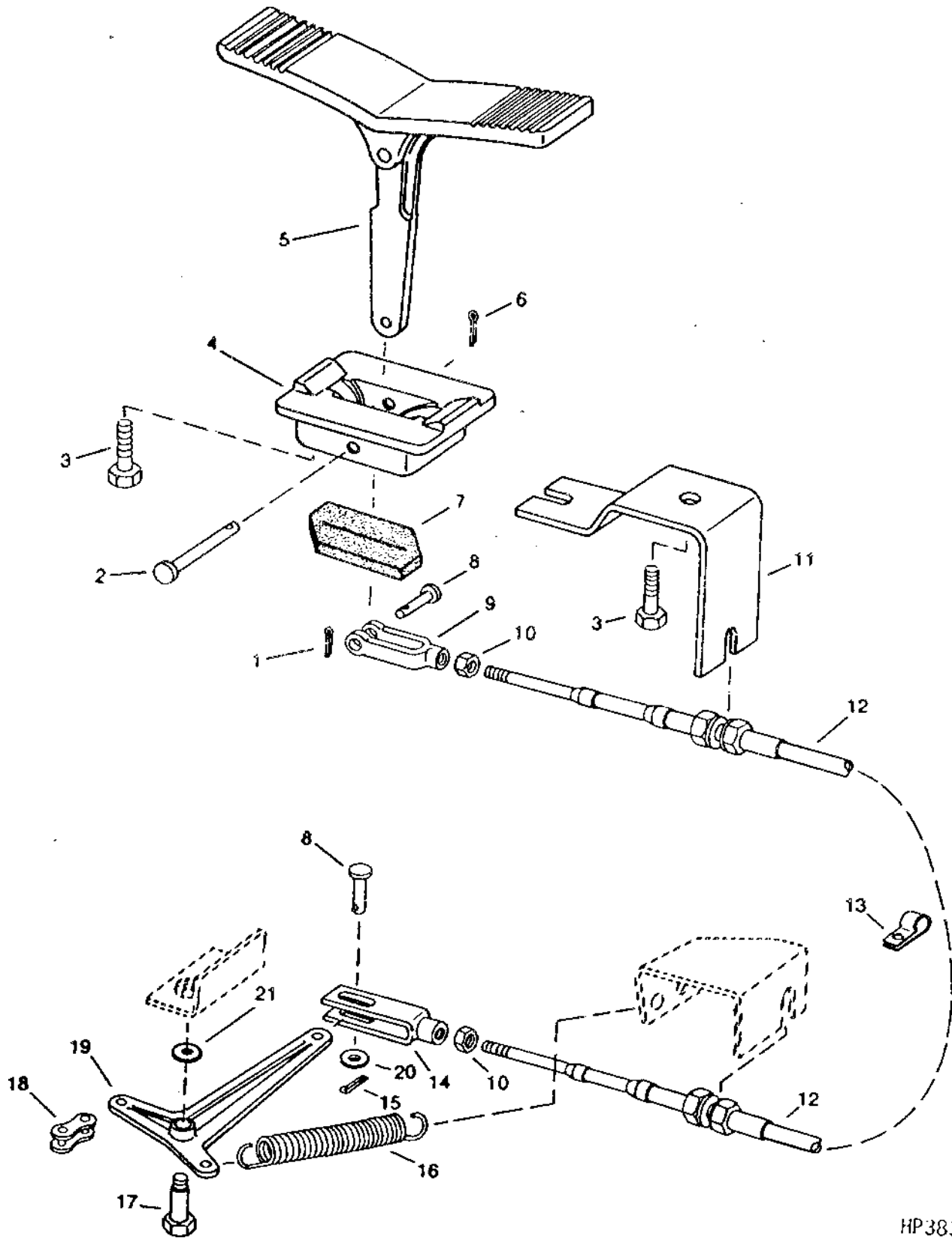
KEY	PART NO.	PART NAME	QTY	SERIAL NO.	REMARKS
1	R66197	THRUST WASHER	6		
2	AH106618	PINION	3		
3	R33079	PIN	3		
4	H871R	BALL	3		
5	R33088	WASHER	3		
6	H89617	SPACER	3		
7	19H1936	CAP SCREW	6	-675538	3/8" X 3/4"
	19H1648	CAP SCREW	6	675539-	3/8" X 3/4"
8	R33058	NEEDLE ROLLER	186		(6 SETS OF 31)
9	AH150686	NEEDLE BEARING	1		
10	26H104	SHAFT KEY	2		5/16" X 2-1/8"
11	H166216	GEAR	1		(SUB FOR H161566) INPUT
12	E53699	SEAL	1		
13	B3118R	SNAP RING	1		
14	H168125	COVER	1		(SUB FOR H149504)
15	JD10010	BALL BEARING	1		(WITH SNAP RING)
16	R39081	SNAP RING	1		
17	AH144715	SEAL	1		
18	H150662	BEARING HOUSING W/O BEARING	1		
19	AH140185	SEAL	1		
20	N71922	SNAP RING	1		
21	JD10011	BALL BEARING	1		
22	BP13620	SNAP RING	1		
23	AH105040	GEAR	1		INCLUDES (3) 16H1144 RIVETS
	16H1144	RIVET	3		5/16" X 1-3/4"
24	H132328	SHIFT COLLAR	1		
25	H106073	GEAR	1		OUTPUT
26	14H832	NUT	2		9/16"
27	28H2499	BUSHING	1		
28	24H1378	WASHER	1		11/16" X 1-15/32" X 0.134"
29	AN113330	SEAL	1		
30	R26375	O-RING	2		
31	AH140615	INDICATOR LIGHT	1		
32	H140195	SPACER	1		
33	R26906	O-RING	1		
34	AH159233	HOUSING	1		
35	AH93110	SHIFTER	1		
36	19M7402	CAP SCREW	6		M10 X 25
37	R27218	FITTING PLUG	1		
38	12M7135	LOCK WASHER	6		0.402"
39	R26448	O-RING	1		
40	R39112	FITTING	1		
41	JD8819	NEEDLE BEARING	1	675692-	
..	TY15130	SEALANT	1		3 OZ. SIZE
..	AH153341	GEAR CASE	1		USE WITH AH149349 (DRIVE SPROCKET) AND H170634 (TONE WHEEL) (SUB FOR AH156049)
..	AH156053	CASE	1		CONTOUR MASTER WITHOUT DRIVES

3H9

FEEDER HOUSE

FEEDER HOUSE REVERSER FOOT CONTROL

HP3833 -UN-01JAN94



HP3833

3H10

FEEDER HOUSE

FEEDER HOUSE REVERSER FOOT CONTROL - CONTINUED

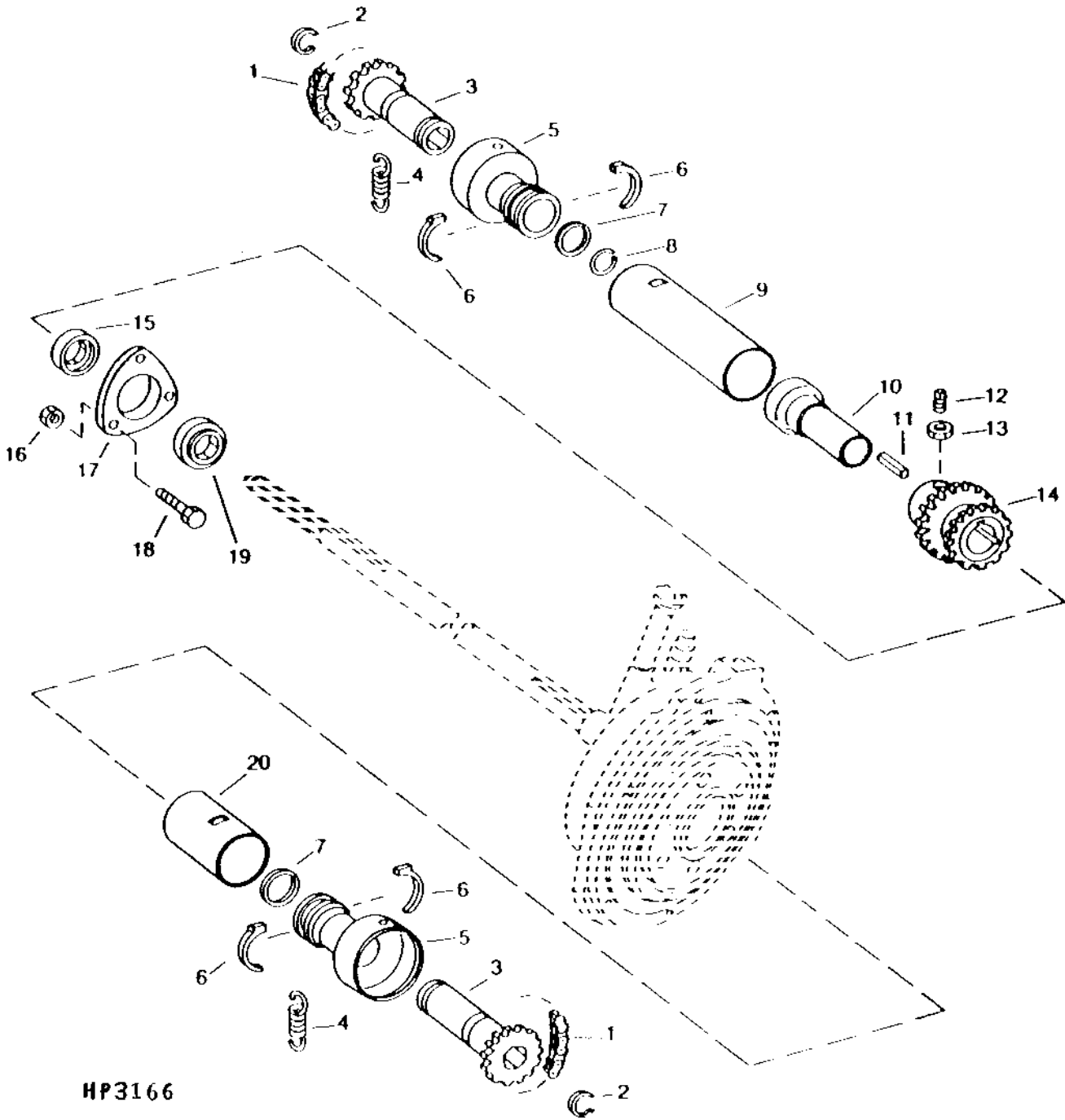
KEY	PART NO.	PART NAME	QTY	SERIAL NO.	REMARKS
1	11M7082	COTTER PIN	1		
2	R65569	PIN	1		2.500 X 25 MM
3	19M7866	SCREW	4		M8 X 20
4	H134489	BEZEL	1		
5	H134488	PEDAL	1		
6	11M7081	COTTER PIN	1		2.500 X 20 MM
7	H133210	SEAL	1		
8	T16193	PIN	1		6.248 X 29.362 MM (0.246" X 1-5/32")
9	H130646	YOKE	1		
10	14M7273	NUT	2		
11	H133208	SUPPORT	1		
12	AH128452	PUSH PULL CABLE	1		
13	R73384	CLAMP	1		
14	AH127383	YOKE	1		
15	11M7082	COTTER PIN	1		2.500 X 25 MM
16	H84948	SPRING	1		
17	H127749	BOLT	1		M12 X 45
18	AE23791	CHAIN LINK	1		
19	H140836	BELLCRANK	1		BELLCRANK HAS TWO CONNECTING HOLES
20	24M7054	WASHER	1		6.400 X 12 X 1.600 MM
21	24M7240	WASHER	1		13 X 25 X 3 MM

3H11

FEEDER HOUSE

FRONT SHAFT WITH REVERSER - (VARIABLE)

HP3166 -UN-21JUL95



HP3166

3H12

FEEDER HOUSE

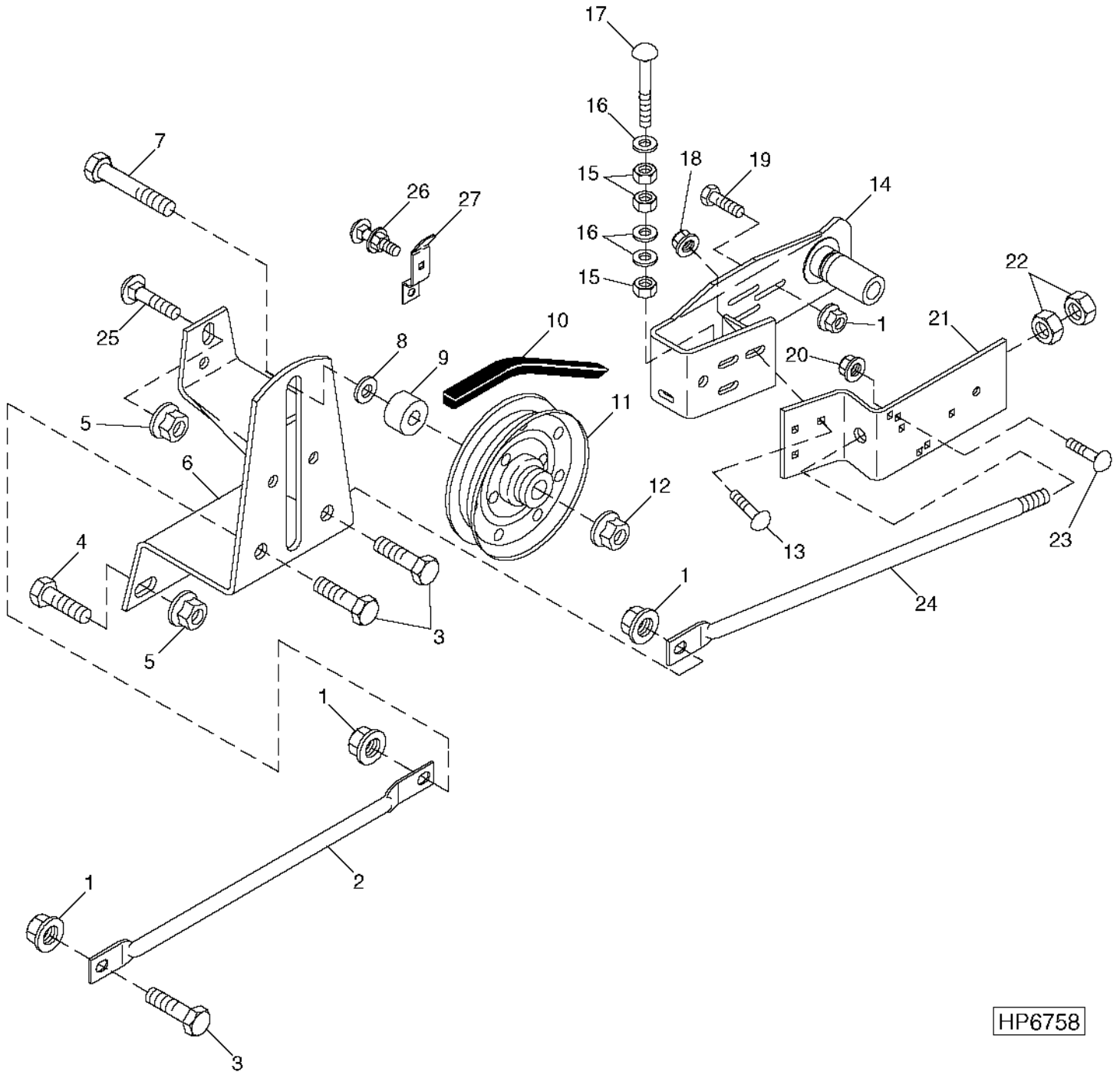
FRONT SHAFT WITH REVERSER - (VARIABLE) - CONTINUED

KEY	PART NO.	PART NAME	QTY	SERIAL NO.	REMARKS
1	AN102383	LINK CHAIN	2		
2	H80926	SNAP RING	2		
3	AN102382	CHAIN SPROCKET	2		
4	H128118	SPRING	2		
5	H148818	QUICK COUPLER	2		
6	E62951	UNIVERSAL JOINT BEARING	4		
7	H25360	SNAP RING	2		
8	H28865	SNAP RING	1		
9	H127604	TUBE	1		
10	AH122495	SHIELD	1		
11	M73000	SHAFT KEY	1		
12	H138435	SET SCREW	2		
13	14M7274	NUT	2	M10	
14	AH125782	CHAIN SPROCKET	1		
15	JD9201	ECCENTRIC LOCKING COLLAR	1		
16	14M7296	FLANGE NUT	3	M10	
17	H93927	HOUSING	1		
18	03M7192	BOLT	3	M10 X 30	
19	JD9202	BALL BEARING	1		
20	H127603	TUBE	1		

3H13

FEEDER HOUSE

VARIABLE SPEED DRIVE TIGHTENER
HP6758 -UN-23AUG99



HP6758

3H14

FEEDER HOUSE

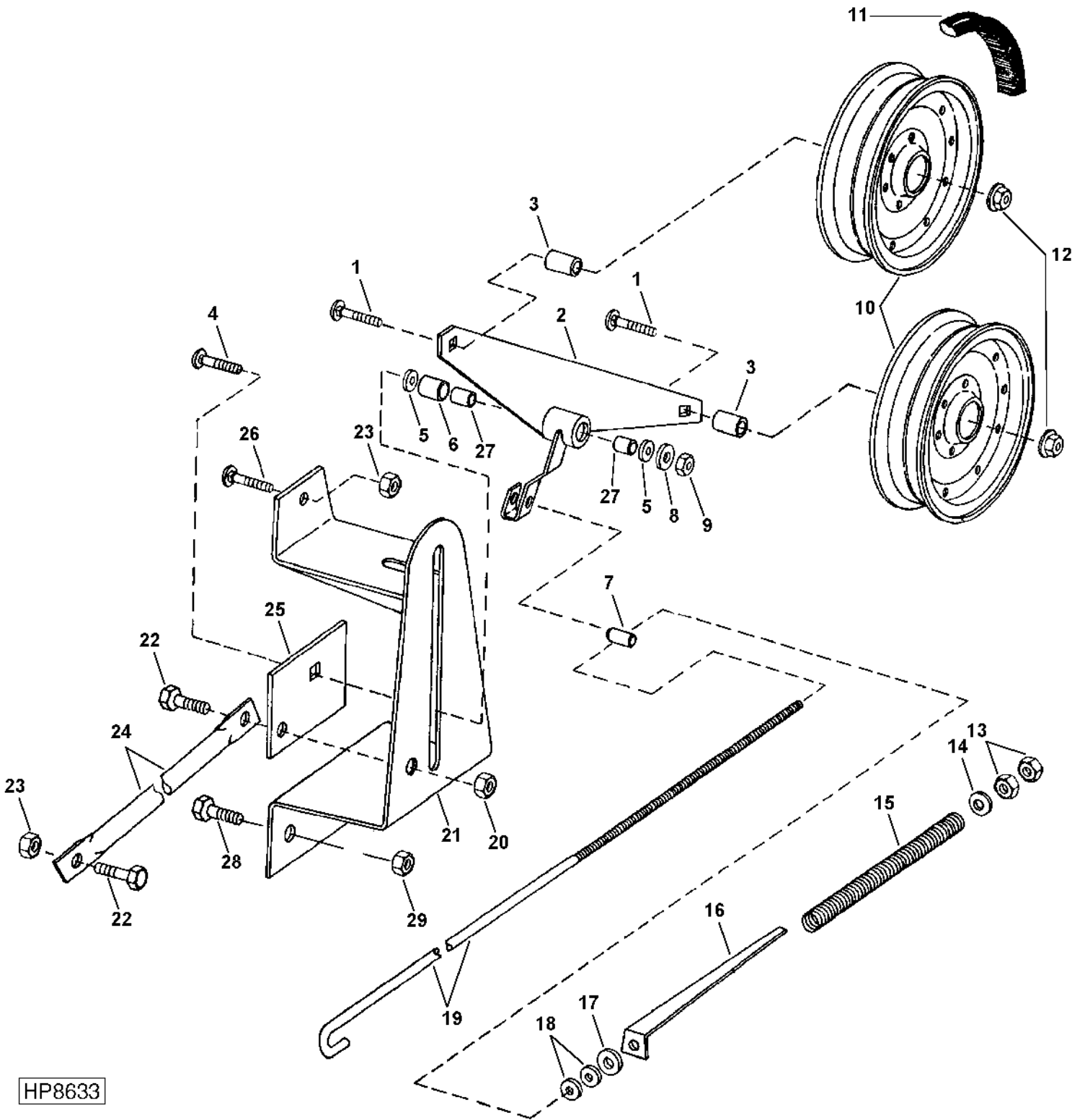
VARIABLE SPEED DRIVE TIGHTENER - CONTINUED

KEY	PART NO.	PART NAME	QTY	SERIAL NO.	REMARKS
1	14M7299	FLANGE NUT	6	M12	
2	H126371	BRACE	1		
3	19M7789	SCREW	3	M12 X 30	
4	19M7789	SCREW	2	M12 X 30	
5	14M7299	FLANGE NUT	3	M12	
6	AH139295	BRACKET	1		
7	19M7845	SCREW	1	M16 X 90	
8	24H1698	WASHER	1		
9	H113892	SHIFT COLLAR	1		
10	H161648	BELT	1		
11	AH94450	IDLER	1		
12	14M7291	FLANGE NUT	1	M16	
13	03M7192	BOLT	3	M10 X 30	
14	AH154961	STRAP	1		
15	14H821	NUT	3	5/8"	
16	24M7053	WASHER	3	17 X 30 X 3 MM	
17	03H2308	BOLT	1	5/8" X 3-1/4"	
18	14M7296	FLANGE NUT	3	M10	
19	19M7790	SCREW	3	M12 X 35	
20	14M7298	FLANGE NUT	2	M8	
21	H166971	STRAP	1	(SUB FOR H134087 OR H161387)	
22	14M7277	NUT	2	M20	
23	03M7185	BOLT	2	M8 X 25	
24	AH142407	BRACE	1		
25	03M7197	BOLT	1	M12 X 25	
	03M7198	BOLT	1	M12 X 30	
26	03M7183	BOLT	1	M8 X 16	
	14M7298	FLANGE NUT	1	M8	
27	H136336	HOSE CLAMP	1		

3H15

FEEDER HOUSE

FIXED SPEED FEEDER HOUSE DRIVE TIGHTENER
HP8633 -UN-14JUN99



HP8633

3H16

FEEDER HOUSE

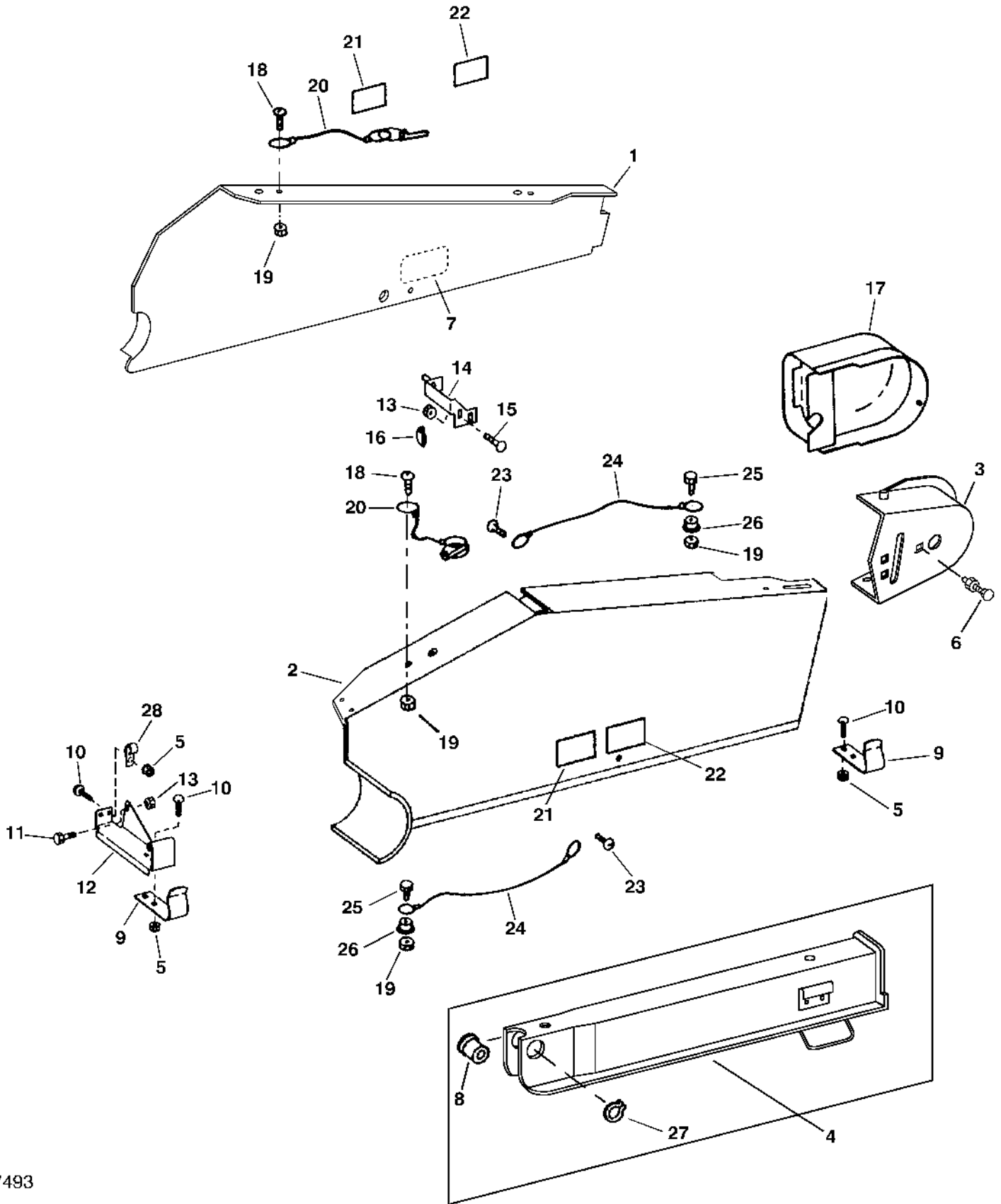
FIXED SPEED FEEDER HOUSE DRIVE TIGHTENER - CONTINUED

KEY	PART NO.	PART NAME	QTY	SERIAL NO.	REMARKS
1	03M7211	BOLT	2	M16 X 70	
2	AH97340	ARM	1		
3	L1730N	BUSHING	2	16.662 X 25.400 X 12.700 MM (21/32" X 1" X 1/2")	
4	03M7248	BOLT	1	M12 X 90	
5	24H1413	WASHER	2	57/64" X 1-3/8" X 0.048"	
6	H89297	BUSHING	1		
7	H132825	PIVOT	1		
8	24H1748	WASHER	1	1/2" X 1-1/4" X 0.105"	
9	A31867	LOCK NUT	1		
10	AH94450	IDLER	2		
11	H126345	BELT	1		
12	14M7291	FLANGE NUT	2	M16	
13	14M7275	NUT	2	M12	
14	24H1789	WASHER	1	17/32" X 1-1/4" X 0.105"	
15	A25695	SPRING	1		
16	H95499	GAUGE	1		
17	24H1748	WASHER	1		
18	24M7240	WASHER	2	13 X 25 X 3 MM	
19	H126346	BOLT	1		
20	14M7299	FLANGE NUT	1	M12	
21	AH139295	BRACKET	1		
22	19M7789	SCREW	2	M12 X 30	
23	14M7299	FLANGE NUT	2	M12	
24	H126371	BRACE	1		
25	H126370	REINFORCEMENT	1		
26	03M7198	BOLT	1	M12 X 30	
27	H98655	BUSHING	2		
28	19M7789	SCREW	2	M12 X 30	
29	14M7299	FLANGE NUT	2	M12	

3H17

FEEDER HOUSE

FEEDER HOUSE DRIVE SHIELDS AND SAFETY STOP
HP7493 -UN-19JUN98



HP7493

3H18

FEEDER HOUSE

FEEDER HOUSE DRIVE SHIELDS AND SAFETY STOP - CONTINUED

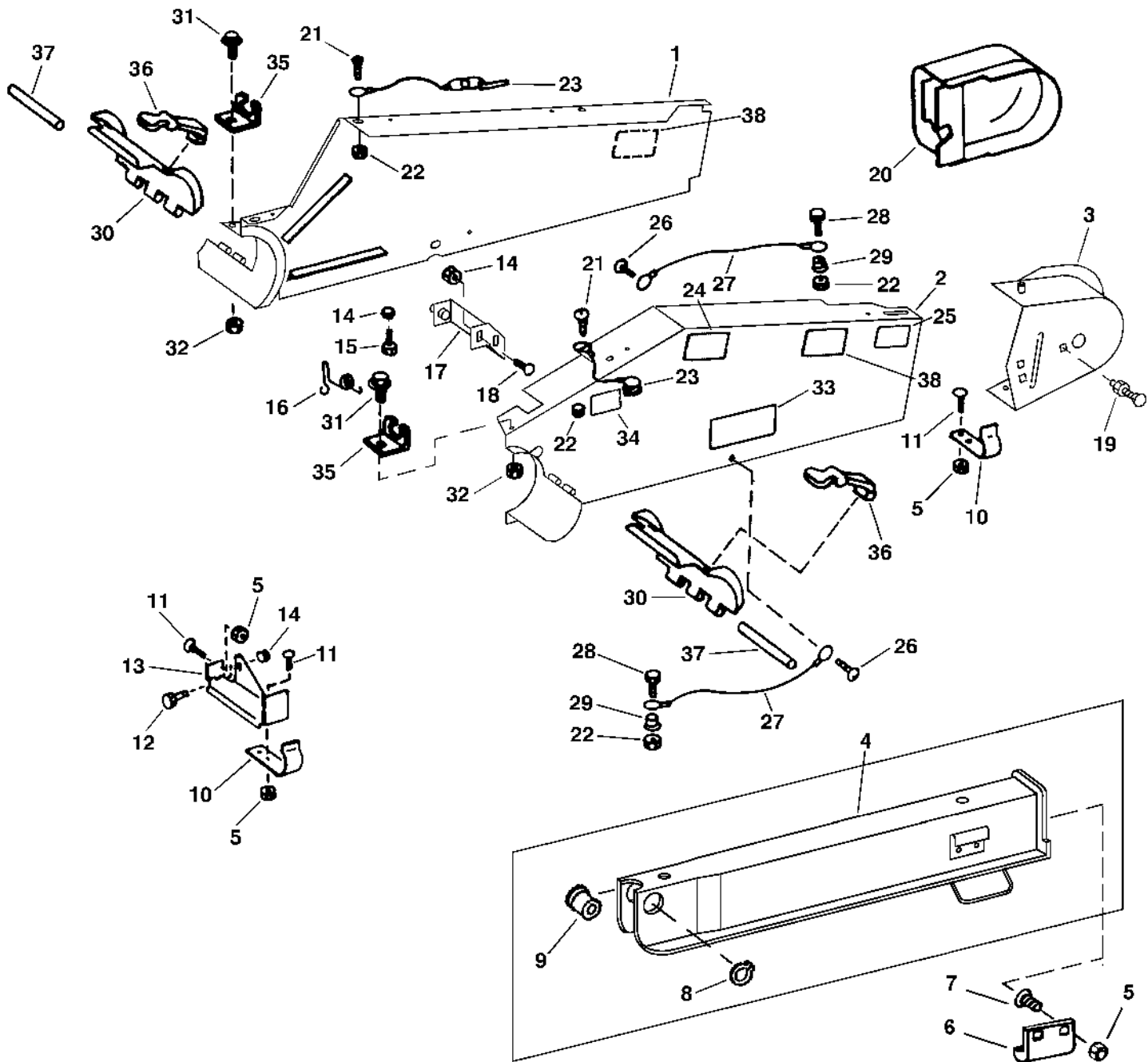
KEY	PART NO.	PART NAME	QTY	SERIAL NO.	REMARKS
1	AH160053	SHIELD	1		
2	AH153819	SHIELD	1	(SUB AH156406)	
	AH156406	SHIELD	1	L.H., LL	
3	AH156066	SHIELD	1		
4	AH157492	STOP	1		
5	14M7298	FLANGE NUT	6	M8	
6	03M7185	BOLT	2	M8 X 25	
	14M7298	FLANGE NUT	2	M8	
7	H149063	LABEL	1		
8	H150054	BUSHING	2		
9	H140122	CLIP	2		
10	03M7183	BOLT	6	M8 X 16	
11	19M7784	SCREW	1	M10 X 20	
12	H134085	BRACKET	1		
13	14M7296	FLANGE NUT	4	M10	
14	AH158142	BRACKET	1		
15	03M7190	BOLT	2	M10 X 20	
16	M72598	QUICK LOCK PIN	4		
17	H146766	POWERSHAFT SHIELD	1	(SUB FOR AH139352) R H	
18	21M7125	SCREW	2	M8 X 25	
19	14M7298	FLANGE NUT	3	M8	
20	AH135290	QUICK LOCK PIN	2		
21	H137939	LABEL	1	HARNES AND HOSE STORAGE	
22	H126397	LABEL	1	VARIABLE SPEED DRIVE	
23	03M7186	BOLT	2	M8 X 30	
24	AH134121	CABLE	1	(INCLUDES R73290)	
25	21M7125	SCREW	2	M8 X 25	
26	M93425	SPACER	2		
27	40M7058	SNAP RING	2		
28	AH89486	CLIP	1		
29	H149063	LABEL	1		

3H19

FEEDER HOUSE

FEEDER HOUSE DRIVE SHIELDS AND SAFETY STOP - CONTOUR MASTER

HP7494 -UN-19JUN98



HP7494

3H20

FEEDER HOUSE

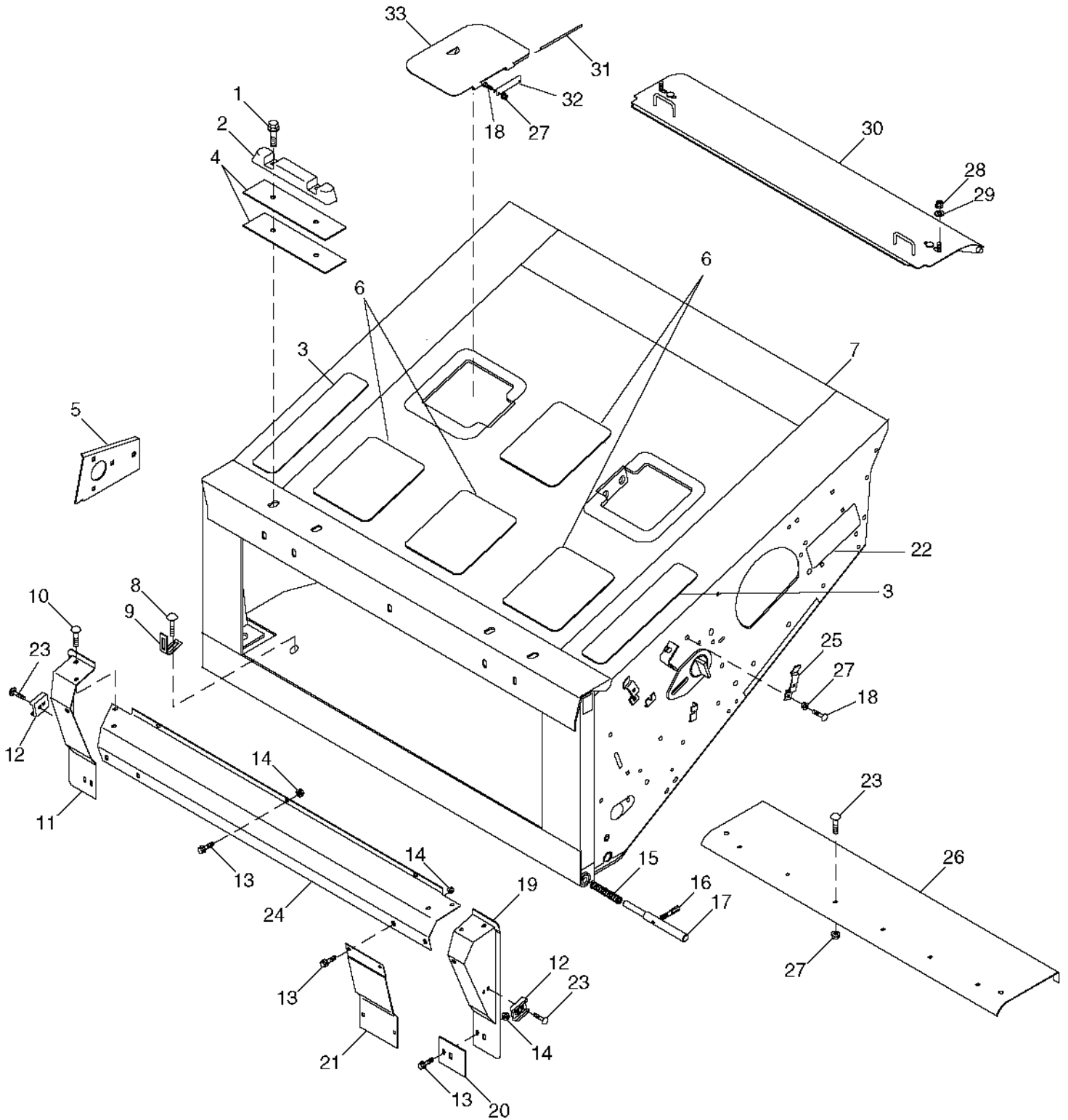
FEEDER HOUSE DRIVE SHIELDS AND SAFETY STOP - CONTOUR MASTER - CONTINUED

KEY	PART NO.	PART NAME	QTY	SERIAL NO.	REMARKS
1	AH160054	SHIELD	1	R.H.	
2	AH156374	SHIELD	1	L.H.	
3	AH156066	SHIELD	1		
4	AH157306	STOP	1		
5	14M7298	FLANGE NUT	6	M8	
6	H150055	SUPPORT	1		
7	03M7183	BOLT	2	M8 X 16	
8	40M7058	SNAP RING	1		
9	H150054	BUSHING	2		
10	H140122	CLIP	2		
11	03M7184	BOLT	6	M8 X 20	
12	19M7785	SCREW	1	M10 X 25	
13	H134085	BRACKET	1		
14	14M7296	FLANGE NUT	4	M10	
15	03M7191	BOLT	1		
16	H127781	SPRING	1		
17	AH158142	BRACKET	1		
18	03M7190	BOLT	2	M10 X 20	
19	03M7185	BOLT	1	R.H.	
	14M7298	FLANGE NUT	2	M8	
20	H146766	POWERSHAFT SHIELD	1		
21	21M7125	SCREW	3	M8 X 25	
22	14M7298	FLANGE NUT	4	M8	
23	AH135290	QUICK LOCK PIN	3		
24	H137939	LABEL	1	(HARNESS AND HOSE STORAGE)	
25	H126397	LABEL	1	(VARIABLE SPEED DRIVE)	
26	03M7186	BOLT	2	M8 X 30	
27	AH134121	CABLE	1	(INCLUDES R73290)	
28	21M7125	SCREW	2	M8 X 25	
29	M93425	SPACER	2		
30	H156379	SHIELD	2		
31	19M7775	SCREW	2	M6 X 16	
32	14M7303	FLANGE NUT	2	M6	
33	H164537	SIGN	2	"DANGER AIR FLOW FEEDERHOUSE OUTLET" (SERVICE ONLY)	
34	H150434	LABEL	2	"IMPORTANT LUBRICATE UNIVERSAL"	
35	H141549	CLAMP	2		
36	A44990	LATCH	2		
37	PIN	2	(MAKE FROM H76083) (CUT TO 6.88 IN. LENGTH)	
38	H149063	LABEL	2	"DANGER HEADER FALL HAZARD" (SERVICE ONLY)	

3H21

FEEDER HOUSE

FEEDER HOUSE FRAME
HP9716 -UN-26APR00



HP9716

3H22

FEEDER HOUSE

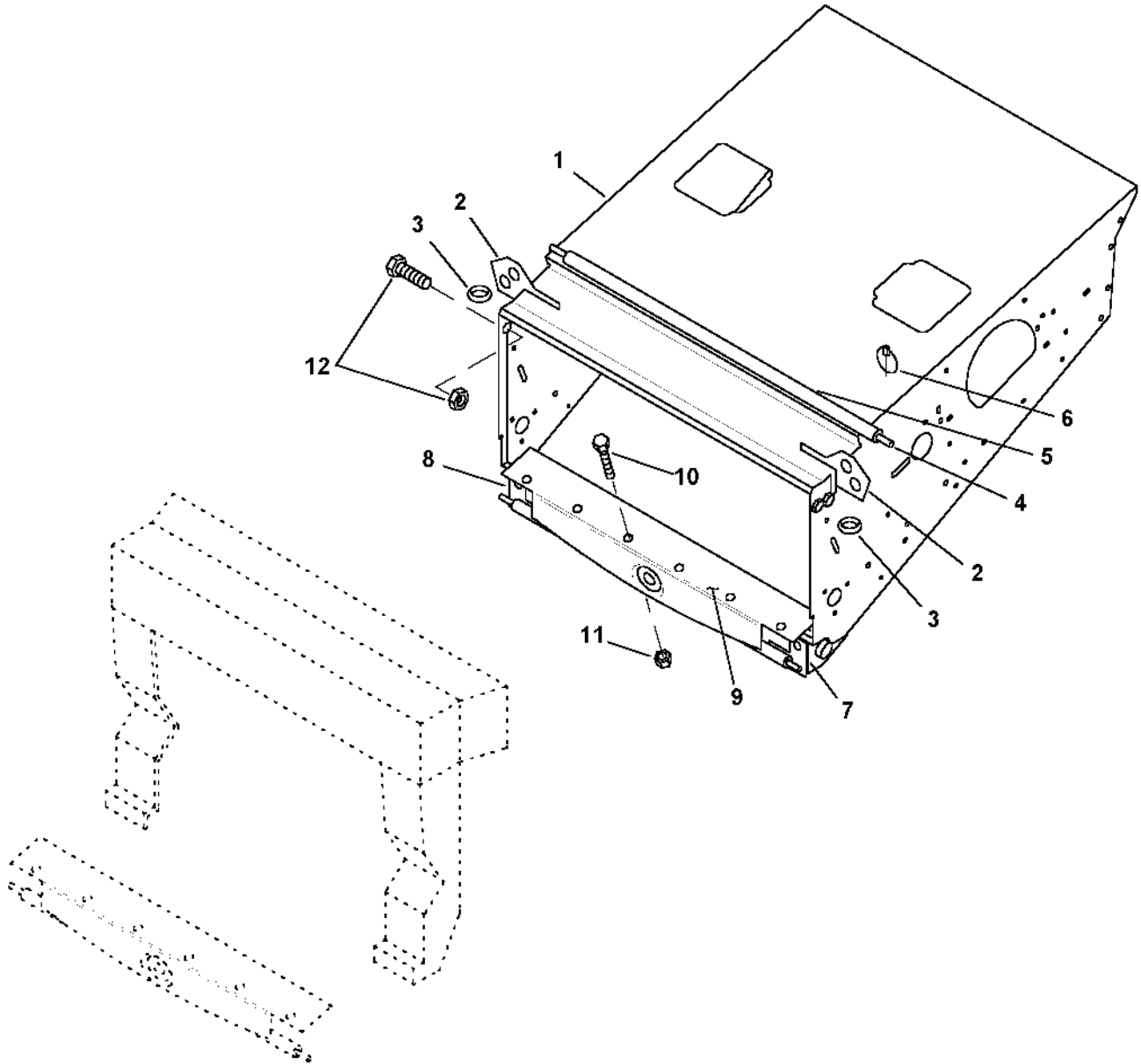
FEEDER HOUSE FRAME - CONTINUED

KEY	PART NO.	PART NAME	QTY	SERIAL NO.	REMARKS
1	19M7814	SCREW	4		
2	H159975	BLOCK CLAMP	1		
3	H131743	MAT	1		
4	H175703	SHIM	4	(SUB FOR H133843)	
5	H141835	REINFORCEMENT	2		
6	H136015	MAT	4		
7	AH155675	FRAME	1		LEVEL LAND, VARIABLE WITH AIR FLOW
	AH155677	FRAME	1		LAND LEVEL, VARIABLE SPEED, HIGH RISE WITH AIR FLOW
	AH158144	FRAME	1		LEVEL LAND, NARROW
	AH158146	FRAME	1		HOMEL, HI RISE, NARROW
	AH158147	FRAME	1		RICE, HI-RISE
8	03M7192	BOLT	4		
9	H144063	ANGLE	2		
10	03M7190	BOLT	1		M10 X 20
11	H159533	DEFLECTOR	1		
12	H158951	STRIPPER	1		
13	19M7784	SCREW	6		M10 X 20
14	14M7296	FLANGE NUT	6		M10
15	124424	SPRING	2		
16	H134140	BOLT	2		
17	H130826	PIN	2		25.400 X 415.500 MM (1" X 16.358")
	H130040	PIN	2		25.400 X 277.500 MM (1" X 10.925") (GRAIN)
18	03M7183	BOLT	6		M8 X 16
19	H159534	DEFLECTOR	1		
20	H143407	WEAR PLATE	2		
21	H123638	EXTENSION	2		
22	H149063	LABEL	2		
23	03M7184	BOLT	4		M8 X 20
24	H123633	SHIELD	1		
25	H136336	HOSE CLAMP	1		
26	H144052	WEAR PLATE	1		
27	14M7298	FLANGE NUT	1		M8
28	14M7401	LOCK NUT	2		M12
29	24M7047	WASHER	2		13 X 24 X 2.500 MM
30	AH126417	DOOR	1		
31	PIN	1		6.88", (CUT FROM H76083)
32	H133989	HINGE	1		
33	H152062	DOOR	1		
..	BH79543	COMPLETE GOODS/SHIP. BUNDLE	1		FEEDERHOUSE EXT. - RICE CLOUSURE

3H23

FEEDER HOUSE

FEEDER HOUSE SHELL, WEAR PLATES AND SEALS - CONTOUR MASTER
HP7310 -UN-08JAN98



HP7310

3H24

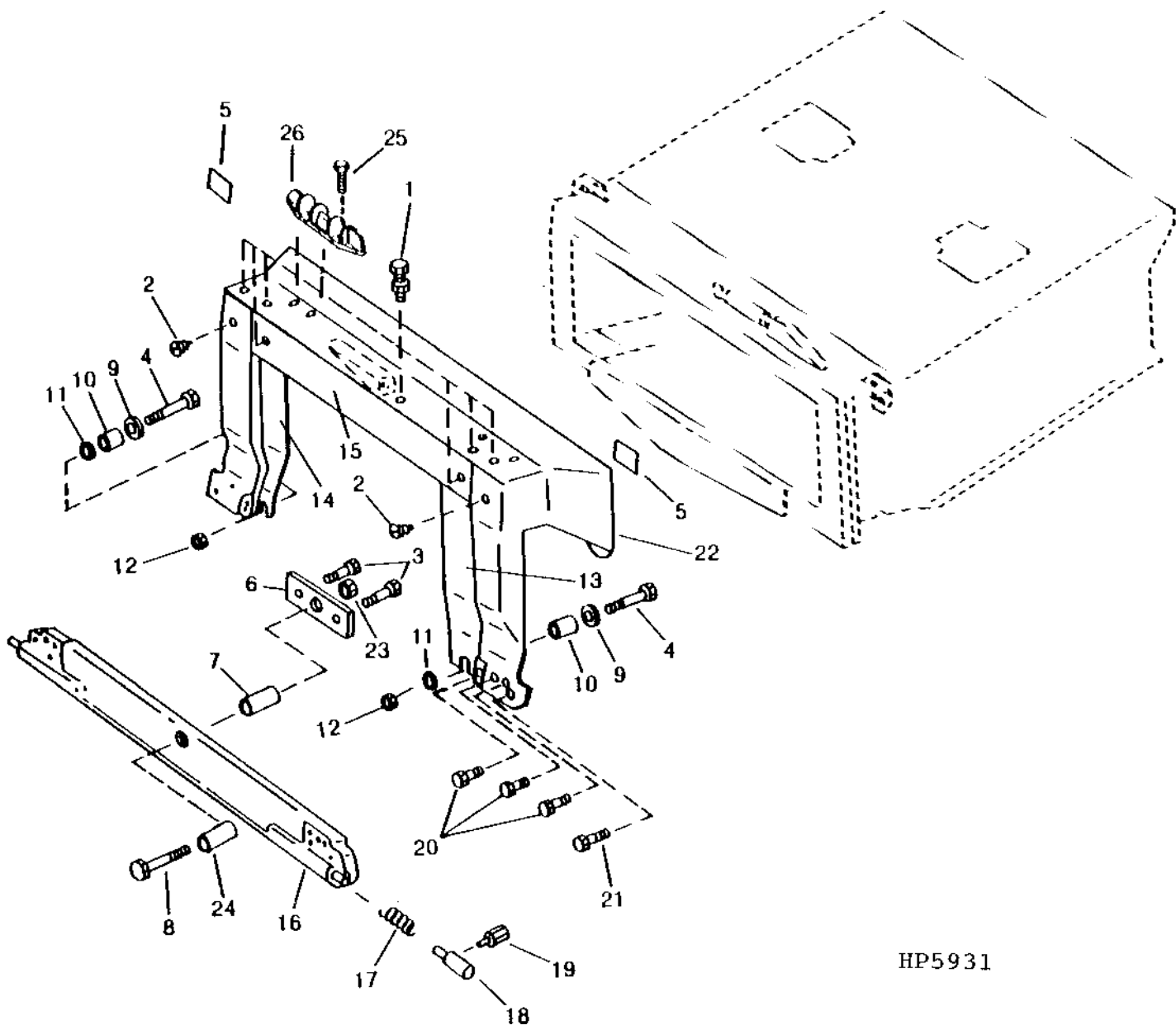
FEEDER HOUSE

FEEDER HOUSE SHELL, WEAR PLATES AND SEALS - CONTOUR MASTER - CONTINUED

KEY	PART NO.	PART NAME	QTY	SERIAL NO.	REMARKS
1	AH155678	FRAME	1		LATERAL TILT, NARROW
	AH158148	FRAME	1		LATERAL TILT, NARROW, GRAIN
2	H149461	WEAR PLATE	2		
3	R495R	O-RING	2		(USE WITH H149461) (FOR RETENTION ONLY)
4	H144825	PIPE	1		
5	H148998	SEAL	1		
6	M72598	QUICK LOCK PIN	2		
7	H149459	WEAR PLATE	1		L.H. LOWER
8	H149460	WEAR PLATE	1		R.H. LOWER
9	H142861	PLATE	1		
10	03M7184	BOLT	6		M8 X 20
11	14M7298	FLANGE NUT	6		M8
12	19M7790	SCREW	4		M12 X 35
	14M7299	FLANGE NUT	4		M12

FEEDER HOUSE FRAME, TILT BEAM AND CLOSURE PLATES - CONTOUR MASTER (GRAIN)

HP5931 -UN-14FEB95



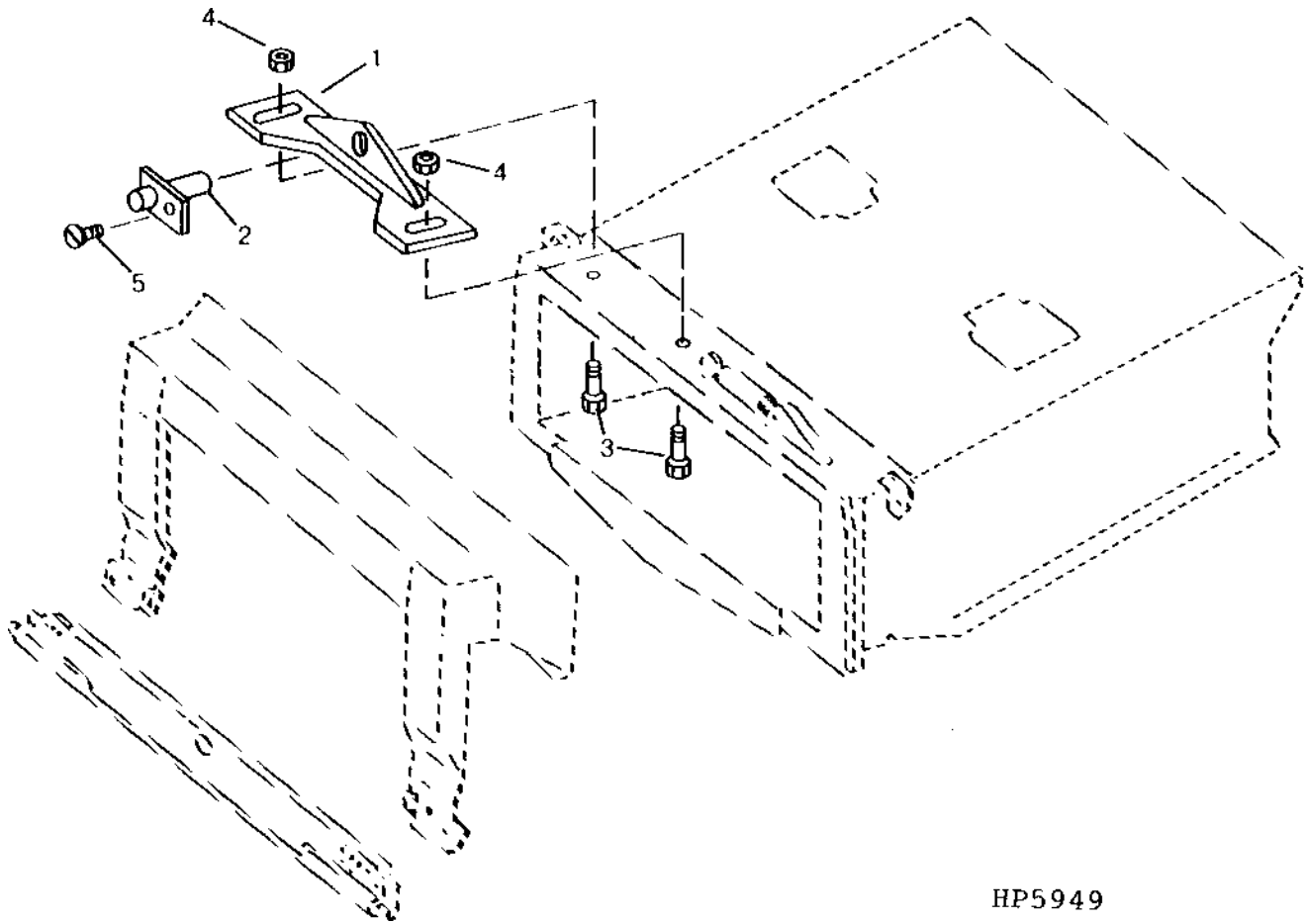
HP5931

FEEDER HOUSE FRAME, TILT BEAM AND CLOSURE PLATES - CONTOUR MASTER (GRAIN) - CONTINUED

KEY	PART NO.	PART NAME	QTY	SERIAL NO.	REMARKS
1	19M7785	SCREW	7	M10 X 25	
	14M7400	LOCK NUT	7	M10	
2	19M7785	SCREW	2	M10 X 25	
3	19M7788	SCREW	2	M12 X 25	
4	19M7820	SCREW	2	M12 X 100	
5	H151607	SIGN	4	"CAUTION" HEADER TILT	
6	H149518	STRAP	1		
7	H149517	PIN	1		
8	19M7921	CAP SCREW	1	M20 X 150	
9	E81185	WASHER	2	13 X 55.500 X 6 MM	
10	28H3395	BUSHING	2	13.868 X 21.336 X 31.750 MM	
11	24H1252	WASHER	2	12.700 X 38.100 X 1.524 MM	
12	14M7299	FLANGE NUT	2	M12	
13	AH143361	SHIELD	1	L.H.	
14	AH143362	SHIELD	1	R.H.	
15	H142869	WEATHER ENCLOSURE	1		
16	AH145282	FRAME	1	-680489	
	AH162724	FRAME	1	680490-	
17	124424	SPRING	2		
18	H130040	PIN	2		
19	H149523	BOLT	2		
20	19M7844	SCREW	6	M16 X 45, (USE LOCTITE)	
	T43514	GASKET	1		
21	19M7792	SCREW	2	M16 X 30, (USE LOCTITE)	
22	AH145281	FRAME	1		
23	14M7300	FLANGE NUT	1	M20	
24	H142870	BUSHING	1		
25	19M7790	SCREW	4	M12 X 35	
26	H159975	BLOCK CLAMP	1		

LOCKOUT ASSEMBLY - CONTOUR MASTER (GRAIN)(OPTIONAL)
(BELT PICK-UP PLATFORM AND 4-ROW CORN HEADS ONLY)

HP5949 -UN-02MAY95



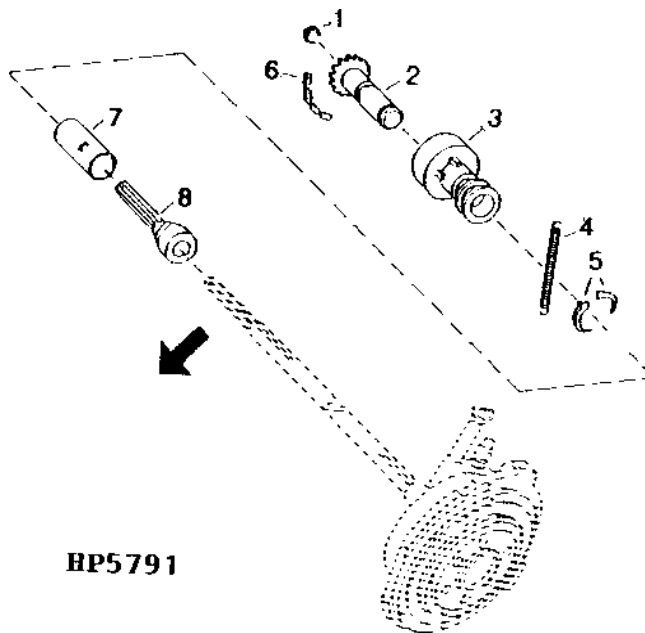
HP5949

**LOCKOUT ASSEMBLY - CONTOUR MASTER (GRAIN) (OPTIONAL) - CONTINUED
(BELT PICK-UP PLATFORM AND 4-ROW CORN HEADS ONLY)**

KEY	PART NO.	PART NAME	QTY	SERIAL NO.	REMARKS
1	AH145762	BRACKET	1		
2	AH145763	PIN	1		
3	03M7205	BOLT	2	M16 X 40	
4	14M7291	FLANGE NUT	2	M16	
5	19M7924	SCREW	1	M8 X 16	

LOCKOUT ADAPTER KIT - CONTOUR MASTER
(BELT PICK-UP PLATFORM AND 4-ROW CORNHEADS ONLY)

HP5791 -UN-15OCT94

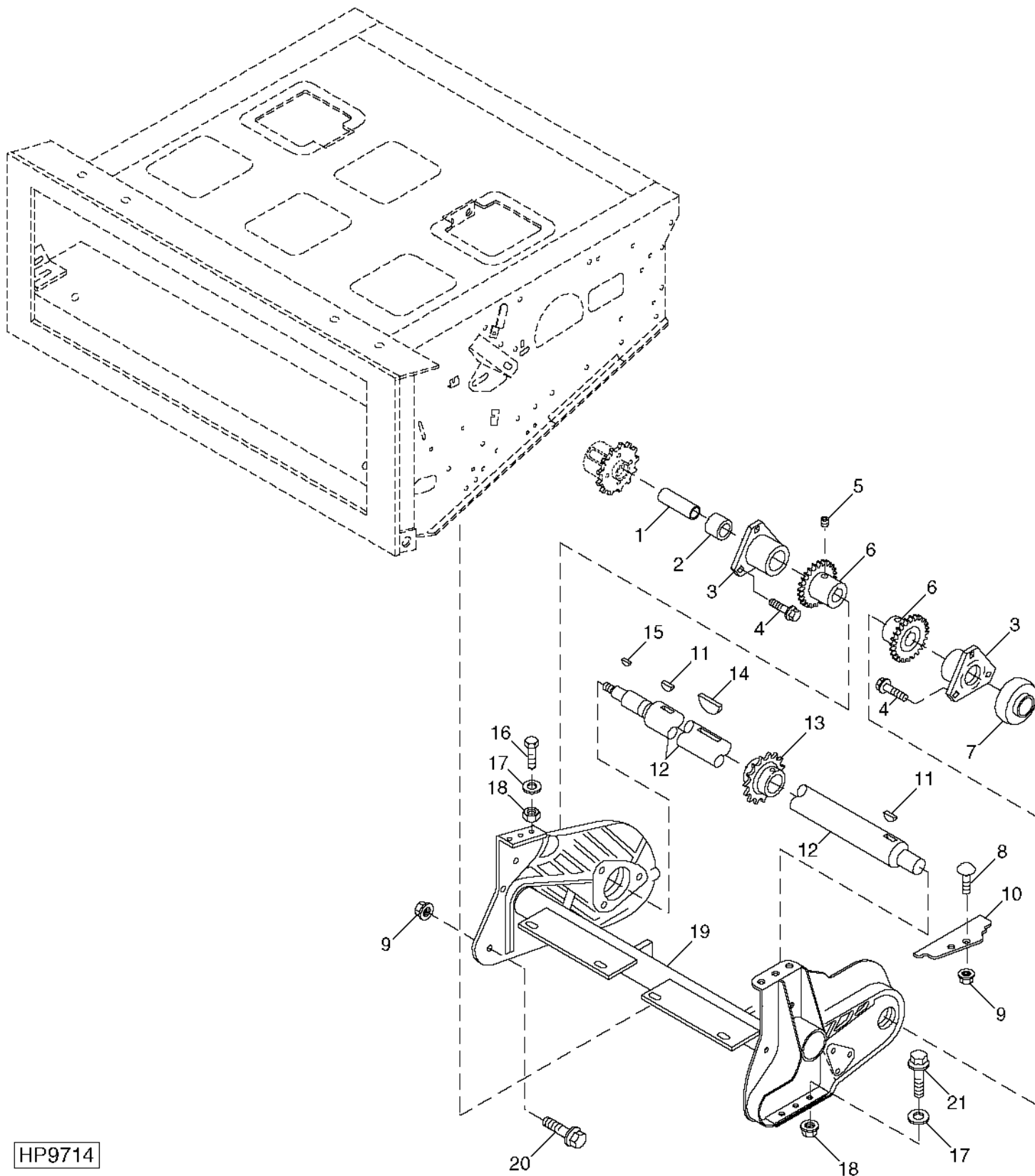


HP5791

KEY	PART NO.	PART NAME	QTY	SERIAL NO.	REMARKS
1	H80926	SNAP RING	1		
2	AH143069	DRIVE SPROCKET	1		
3	H148818	QUICK COUPLER	1		
4	H128118	SPRING	1		
5	E62951	UNIVERSAL JOINT BEARING	2		
6	AN102383	LINK CHAIN	1	(13 LINKS)	
7	H127603	TUBE	1		
8	AH142560	INTERNAL HALF COUPLER	1		

MEMORANDA

FEEDER HOUSE UPPER SHAFT
HP9714 -UN-18APR00

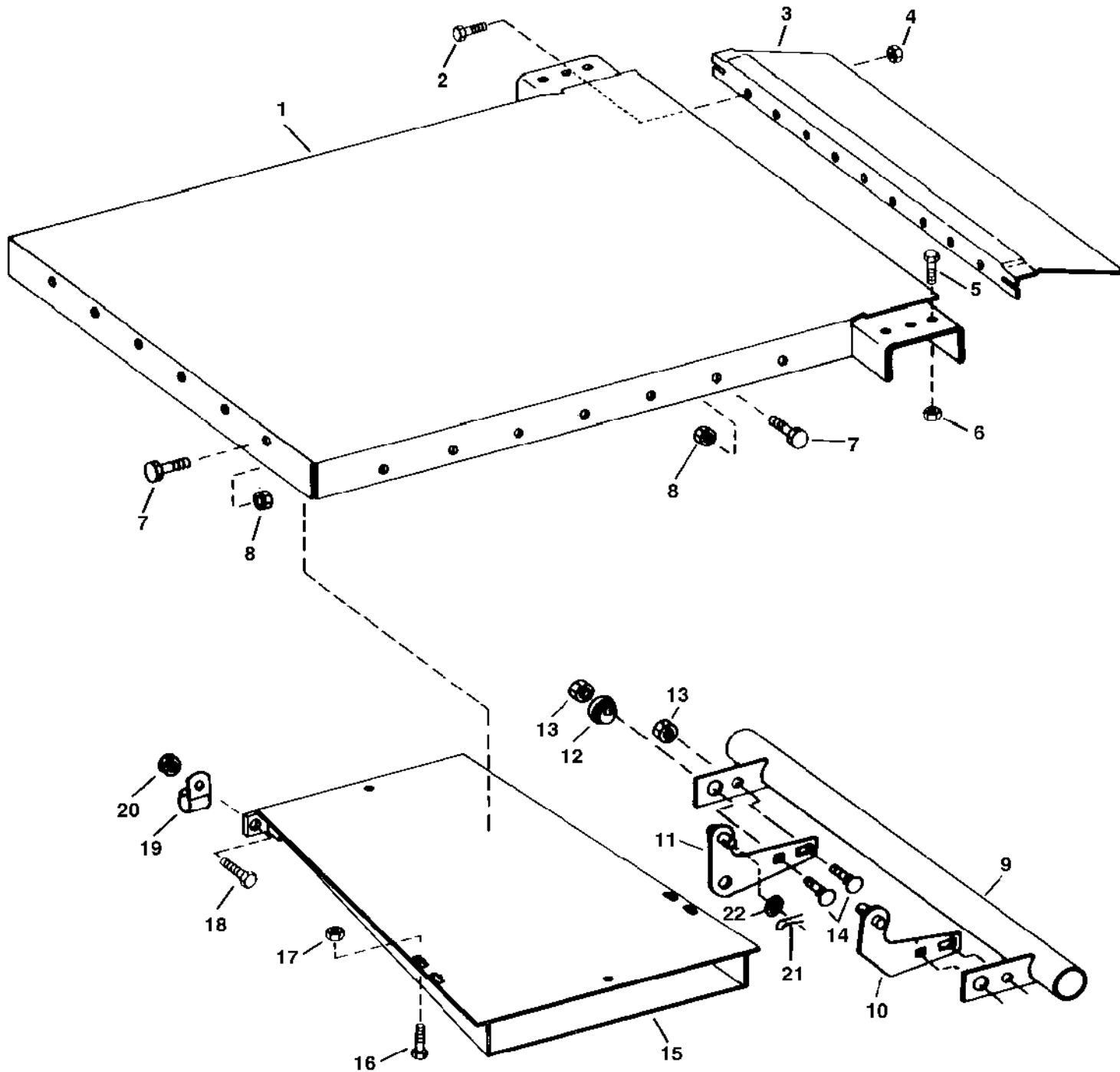


HP9714

FEEDER HOUSE UPPER SHAFT - CONTINUED

KEY	PART NO.	PART NAME	QTY	SERIAL NO.	REMARKS
1	H143354	SPACER	1		
2	JD10020	BALL BEARING	1		
3	H147593	HOUSING	2		
4	19M7788	SCREW	6	M12 X 25	
5	H156580	SET SCREW	6		
6	H159613	CHAIN SPROCKET	3		
7	JD9373	BALL BEARING	1	FIXED SPEED	
8	03M7191	BOLT	4	M10 X 25	
9	14M7296	FLANGE NUT	4	M10	
10	H147482	BRACKET	2		
11	H156578	SHAFT KEY	2		
12	H156576	SHAFT	1		
13	H159614	CHAIN SPROCKET	1		
14	H156579	SHAFT KEY	1		
15	26H103	SHAFT KEY	1		
16	19M7597	CAP SCREW	6	M20 X 50	
17	24M7242	WASHER	12		
18	14M7300	FLANGE NUT	12	M20	
19	AH141399	TUBE	1		
20	19M7785	SCREW	6	M10 X 25	
21	19M7895	SCREW	6	M20 X 50	

FEEDER HOUSE FLOOR
HP6875 -UN-18AUG97



HP6875

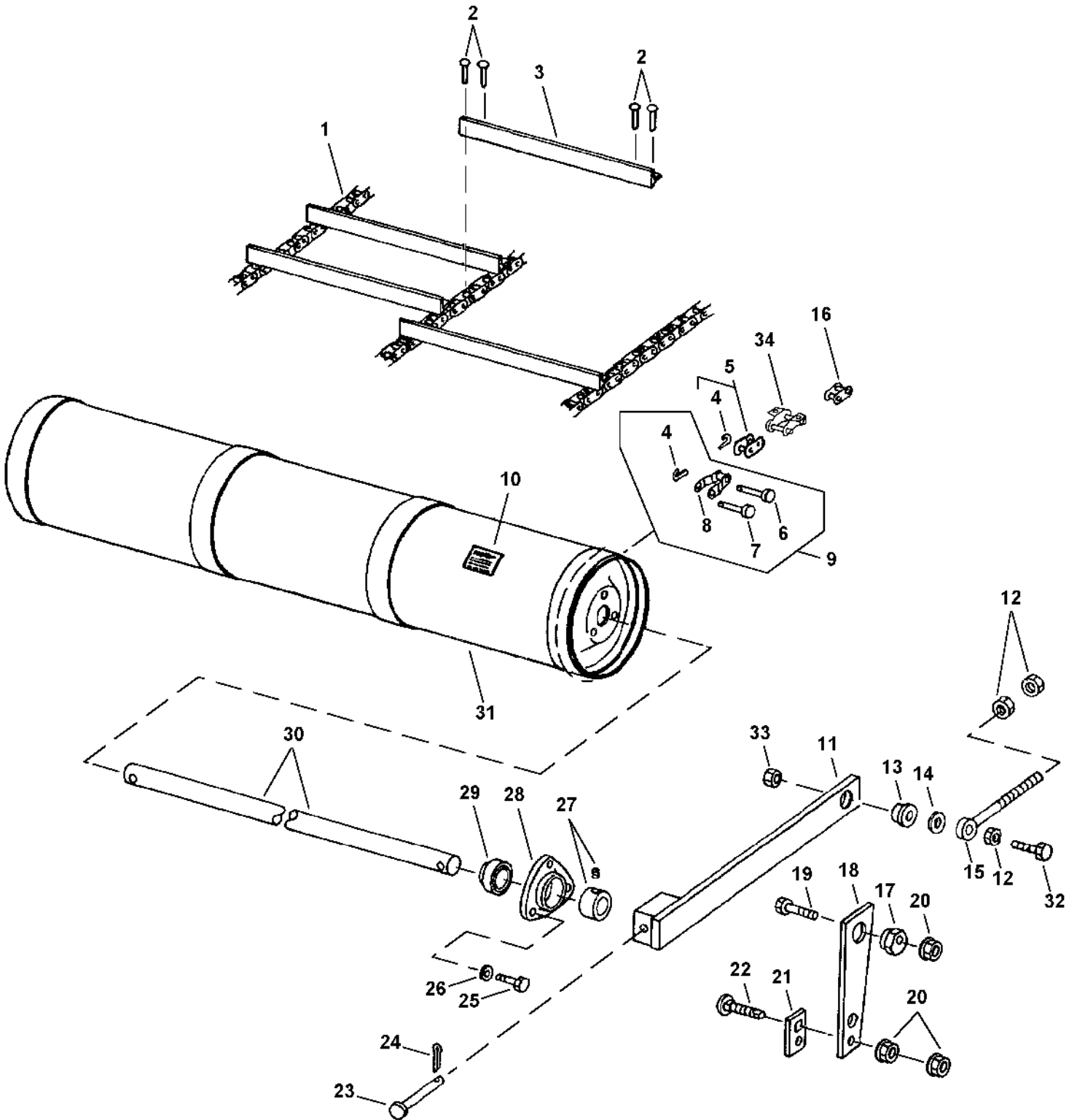
FEEDER HOUSE FLOOR - CONTINUED

KEY	PART NO.	PART NAME	QTY	SERIAL NO.	REMARKS
1	AH137733	FLOOR	1	(SUB AH159703)	
	AH159703	FLOOR	1		
2	03M7190	BOLT	8	M10 X 20	
3	H131452	SEAL	1		
4	14M7296	FLANGE NUT	8	M10	
5	19M7895	SCREW	6	M20 X 50	
6	19M7300	CAP SCREW	6	M6 X 10	
7	19M7789	SCREW	16	M12 X 30	
8	14M7299	FLANGE NUT	16	M12	
9	AH141780	SUPPORT	1		
10	AH141782	ARM	1		
11	AH141781	ARM	1		
12	H97322	CAM	2		
13	14M7299	FLANGE NUT	4	M12	
14	19M7790	SCREW	4	M12 X 35	
15	AH131303	PAN	1		
16	19M7865	SCREW	2	M8 X 16	
17	14M7298	FLANGE NUT	2	M8	
18	19M7784	SCREW	2	M10 X 20	
19	AH89557	CLIP	1	(SUB AH77279)	
	AH77279	CLIP	1		
20	14M7296	FLANGE NUT	2	M10	
21	11M7028	COTTER PIN	2	5 X 32 MM	
22	24M7053	WASHER	2	17 X 30 X 3 MM	

3110

FEEDER HOUSE

FEEDER CONVEYOR IDLER SHAFT, DRUM AND CHAIN
HP7300 -UN-22DEC97



HP7300

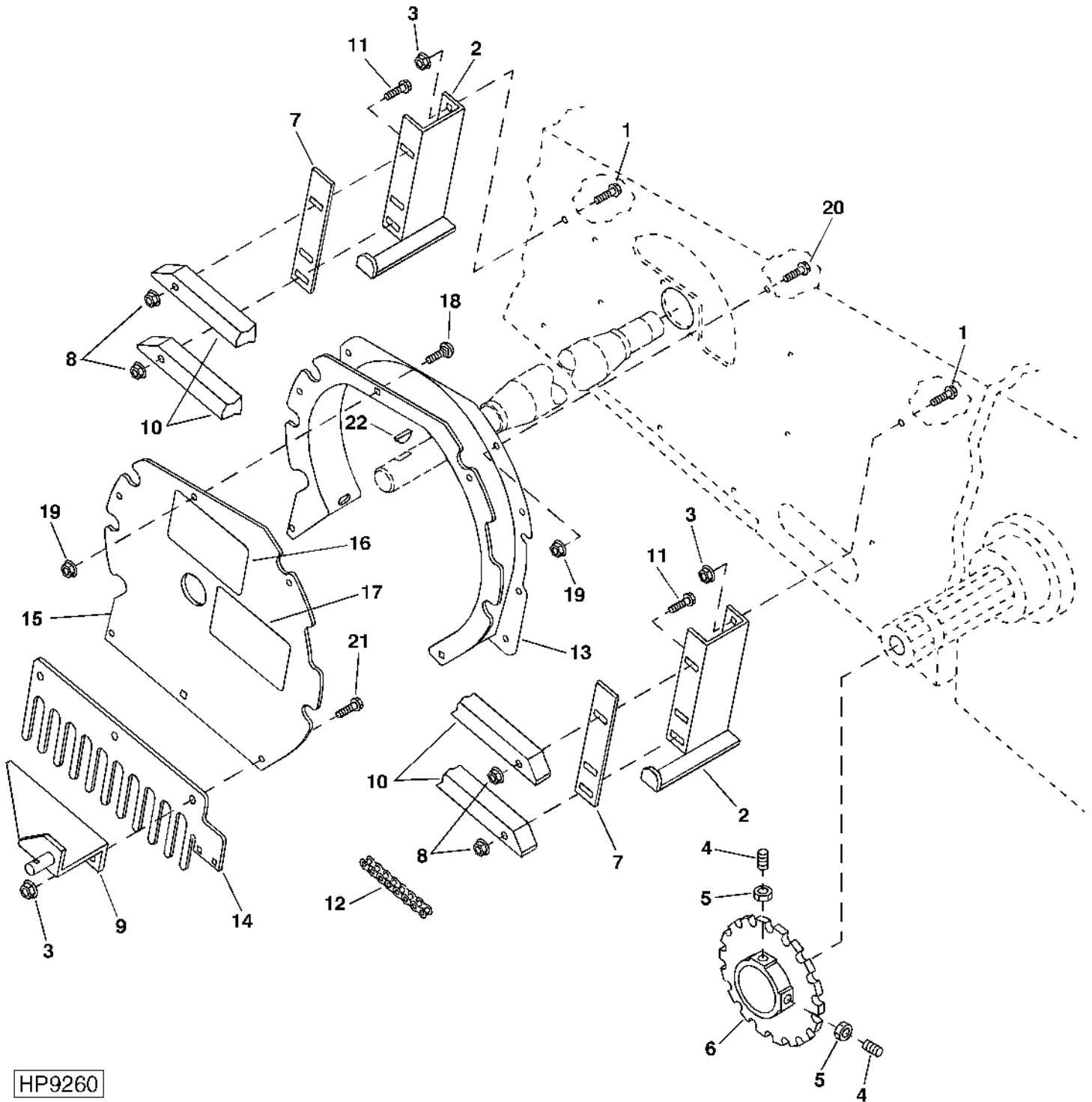
FEEDER CONVEYOR IDLER SHAFT, DRUM AND CHAIN - CONTINUED

KEY	PART NO.	PART NAME	QTY	SERIAL NO.	REMARKS
1	AH137845	CONVEYOR	1		NARROW SPACED (49 SLATS)
	AH138187	CONVEYOR	1		WIDE SPACED (34 SLATS)
2	16H1083	RIVET	196		5/16" X 5/8", (CONNECTING LINK TO SLAT)
3	H134002	SLAT	49		
4	H84026	HOOK	6		
5	AH137630	CHAIN LINK	5		
6	PIN	3		(SUB AH137631)
7	PIN	3		(SUB AH137631)
8	CHAIN LINK	3		(SUB AH137631)
9	AH137631	CHAIN LINK	3		REPAIR KIT
10	H150528	LABEL	1		"IMPORTANT" (S-PIN LOCATION)
11	AH126091	ARM	2		
12	14M7291	FLANGE NUT	6		M16
13	H131087	BUSHING	2		
14	24H1368	WASHER	2		21/32" X 1-5/16" X 0.090"
15	H131088	EYEBOLT	2		
16	AH158635	CHAIN LINK	1		
17	H97322	CAM	2		
18	H84942	PLATE	2		
19	H139098	BOLT	2		M12 X 51.500
20	14M7299	FLANGE NUT	6		M12
21	H144201	ADJUSTING STRAP	2		
22	H154331	BOLT	2		
23	45M7040	PIN	2		10 X 60 MM
24	11M7059	COTTER PIN	2		3.200 X 20 MM
25	19M7790	SCREW	6		M12 X 35
26	12H304	LOCK WASHER	6		3/8"
27	JD8551	ECCENTRIC LOCKING COLLAR	2		
28	H138753	HOUSING	2		
29	JD8552	BALL BEARING	2		
30	H123734	SHAFT	1		
31	AH142394	DRUM	1		
32	19M7399	CAP SCREW	2		M16 X 85
33	W39621	NUT	2		
34	AH158328	LINK	1		

3112

FEEDER HOUSE

FEEDER CONVEYOR DRIVE CHAIN, TIGHTENER AND GUIDES
HP9260 -UN-11NOV99



HP9260

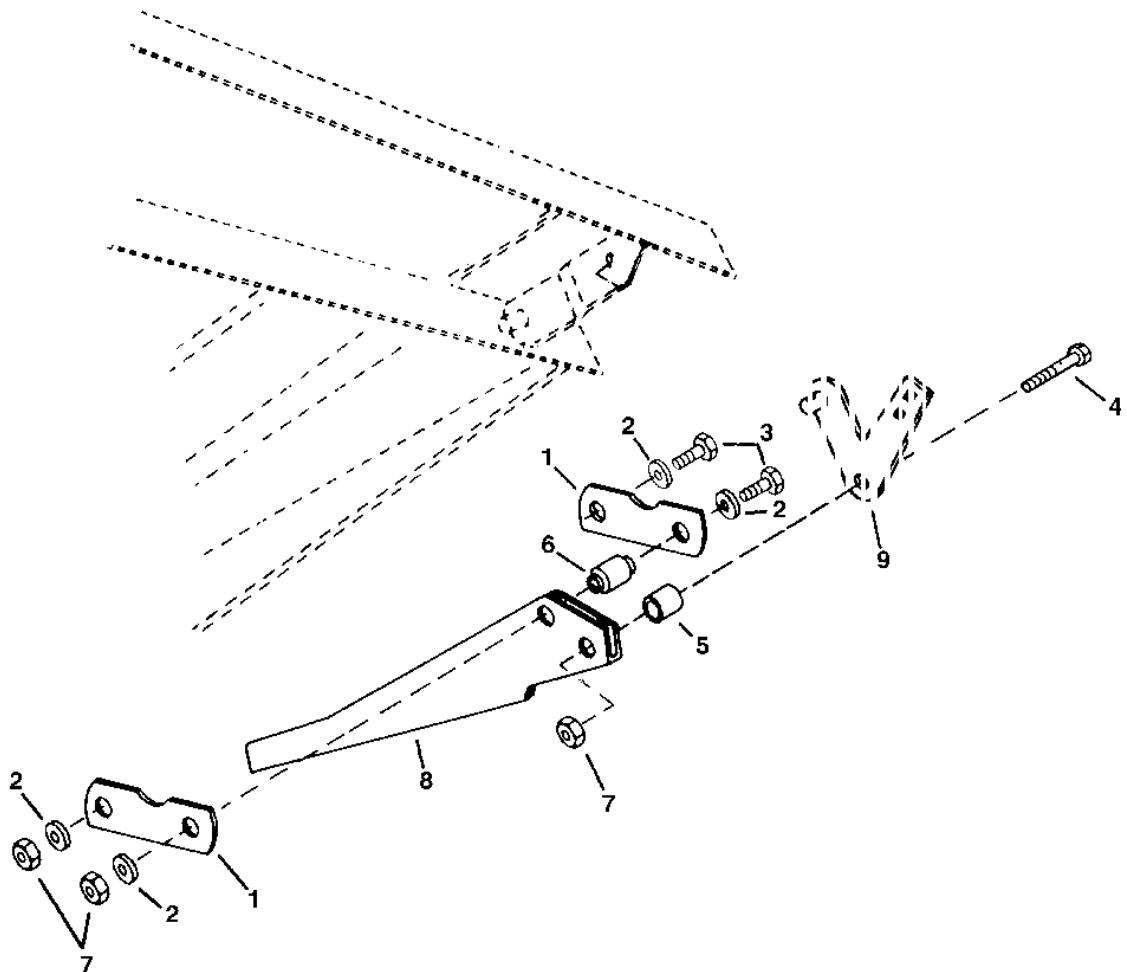
FEEDER CONVEYOR DRIVE CHAIN, TIGHTENER AND GUIDES - CONTINUED

KEY	PART NO.	PART NAME	QTY	SERIAL NO.	REMARKS
1	03M7190	BOLT	2		
2	H162325	BRACKET	2		
3	14M7296	FLANGE NUT	6		
4	A50743	BOLT	2		
5	14M7272	NUT	2	M6	
6	H135772	WHEEL	1		ROLLER, TYPE 60, 19 MM (3/4") 220 LINKS (SMALL SPROCKET) AND 223 LINKS (LARGE SPROCKET); (OR ASSEMBLE FROM (4) AB1288H AND AB1289H)
7	H162326	PLATE	1		
8	14M7400	LOCK NUT	4	M10	
9	AH155739	BRACKET	1		
10	H130530	GUIDE	2		
11	03M7233	BOLT	4	M10 X 70	
12	AH145029	LINK CHAIN	1		
13	AH155659	PLATE	1		
14	H172177	FINGER	1		(SUB FOR H162425)
15	H171318	COVER	1		(SUB FOR H162177) NARROW AIRFLOW
16	H149063	LABEL	1		
17	H164537	SIGN	1		
18	19M7789	SCREW	1	M12 X 30	
19	14M7299	FLANGE NUT	7	M12	
20	03M7198	BOLT	6	M12 X 30	
21	19M7785	SCREW	2	M10 X 25	
22	26M6787	SHAFT KEY	3	10 X 32 MM	

3114

FEEDER HOUSE

FEED PLATE LATCH HANDLE
HP6514 -UN-15JUL96



HP6514

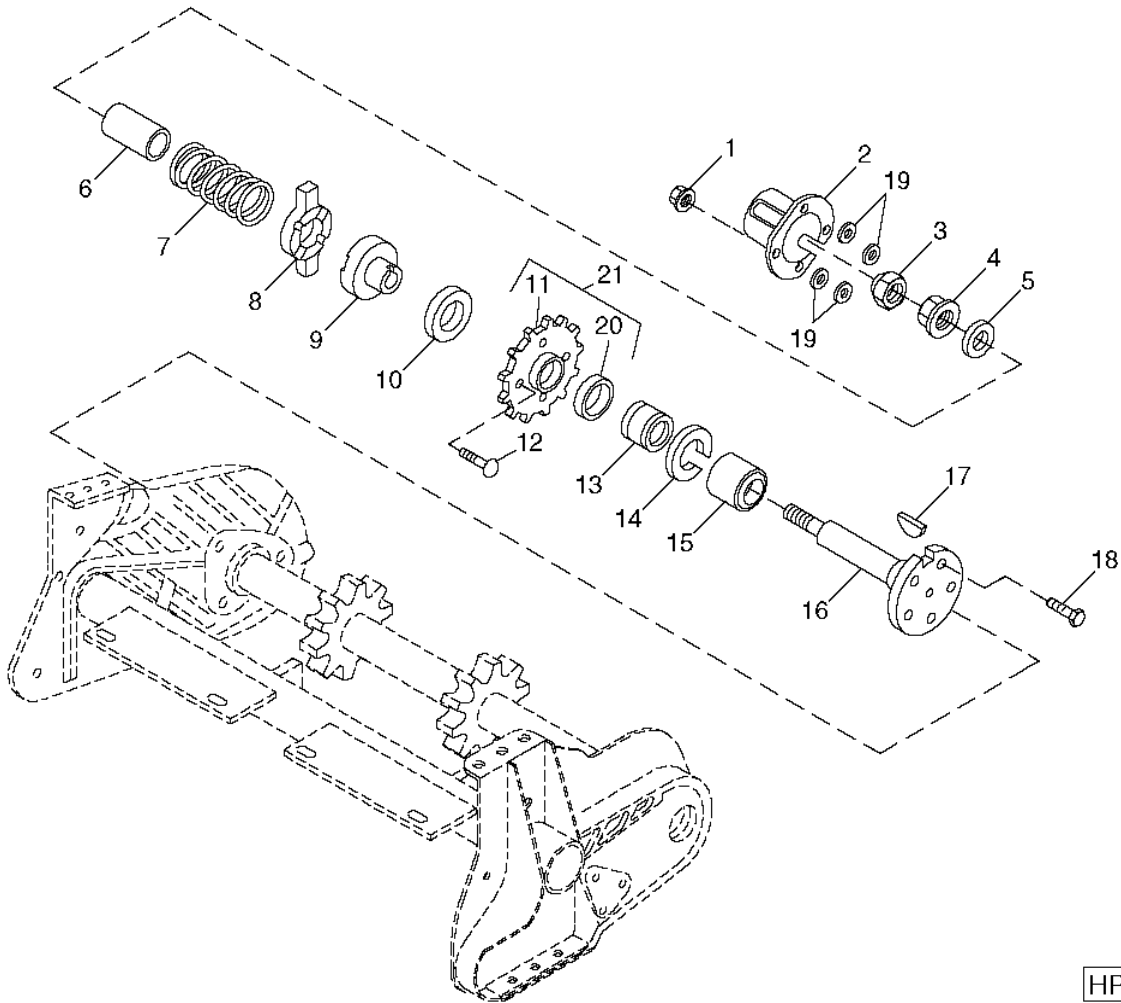
FEED PLATE LATCH HANDLE - CONTINUED

KEY	PART NO.	PART NAME	QTY	SERIAL NO.	REMARKS
1	H136144	ADJUSTING STRAP	2		
2	24M7207	WASHER	4		8.400 X 24 X 2 MM
3	19M8318	SCREW	2		M8 X 45
4	19M8291	SCREW	1		M8 X 35
5	H133060	SLEEVE	1		
6	H132988	BUSHING	1		
7	14M7396	LOCK NUT	3		M8
8	H132986	HANDLE	1		
9	ARM	1		IDENTIFIED WITH FEEDER HOUSE FLOOR

3116

FEEDER HOUSE

FEEDER HOUSE SLIP CLUTCH
HP8925 -UN-25AUG99



HP8925

3117

FEEDER HOUSE

FEEDER HOUSE SLIP CLUTCH - CONTINUED

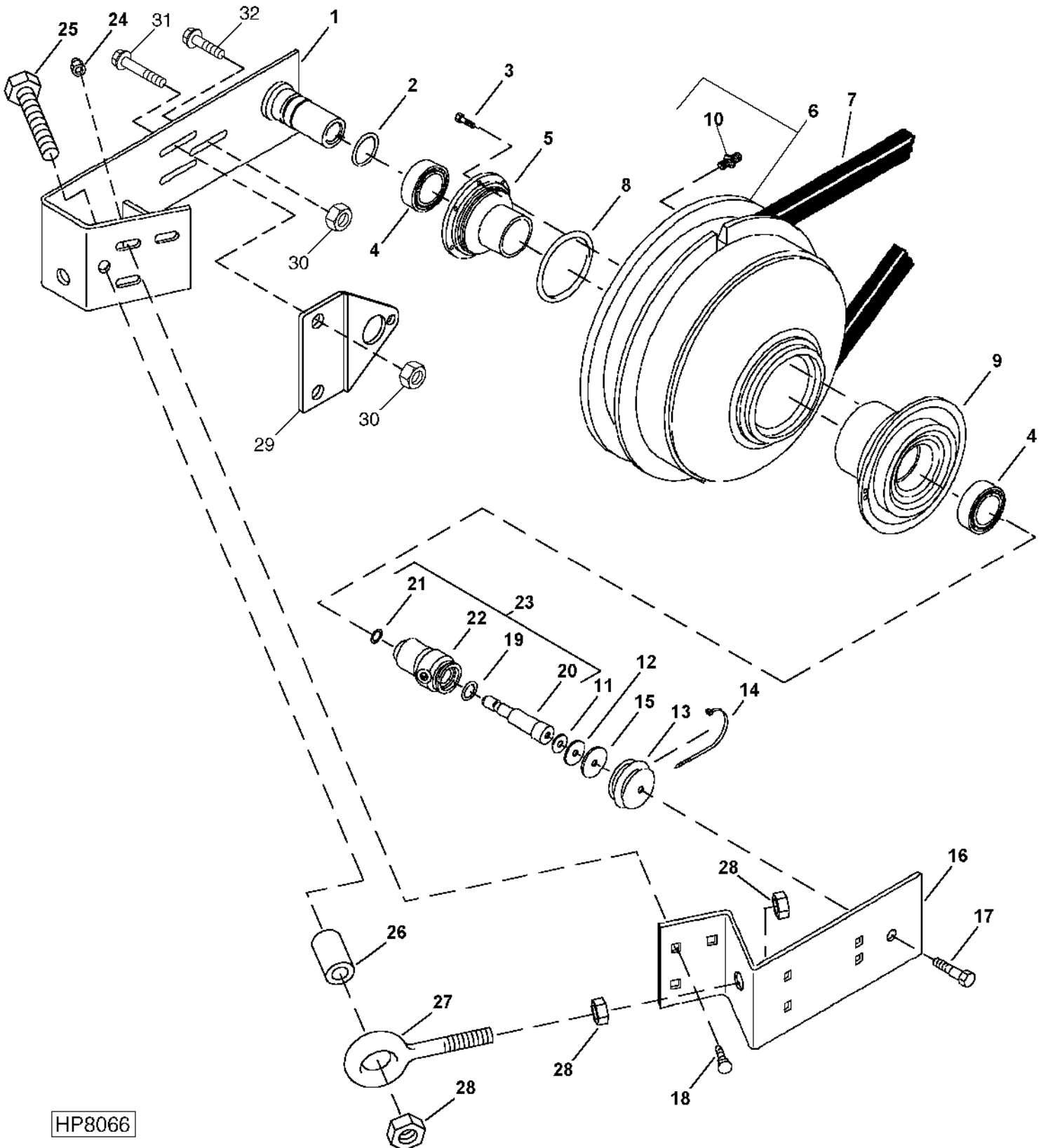
KEY	PART NO.	PART NAME	QTY	SERIAL NO.	REMARKS
1	14M7299	FLANGE NUT	4		
2	H119710	PLANET PINION CARRIER	1		M12
3	A31871	LOCK NUT	1		M24
4	14M7300	FLANGE NUT	1		M20
5	R90521	WASHER	1		24.500 X 37 X 6.200 MM
6	H129659	SPACER	1		
7	H109855	SPRING	1		
8	H101677	JAW	1		
9	H105590	HUB	1		
10	H99303	WASHER	1		
11	H119709	CHAIN SPROCKET	1		
12	03M7200	BOLT	4		
13	H130571	SPACER	1		
14	40M7090	SNAP RING	1		
15	AH109788	ROLLER BEARING	1		
16	H129681	SHAFT	1		
17	26H103	SHAFT KEY	1		
18	19M7938	CAP SCREW	3		M10 X 20
19	24H1341	WASHER	4		17/32" X 15/16" X 0.060"
20	H105584	BUSHING	1		
21	AH116232	CHAIN SPROCKET	1		

3118

FEEDER HOUSE

VARIABLE DRIVE UPPER COUNTERSHAFT, SHEAVES AND SUPPORTS

HP8066 -UN-13APR99



HP8066

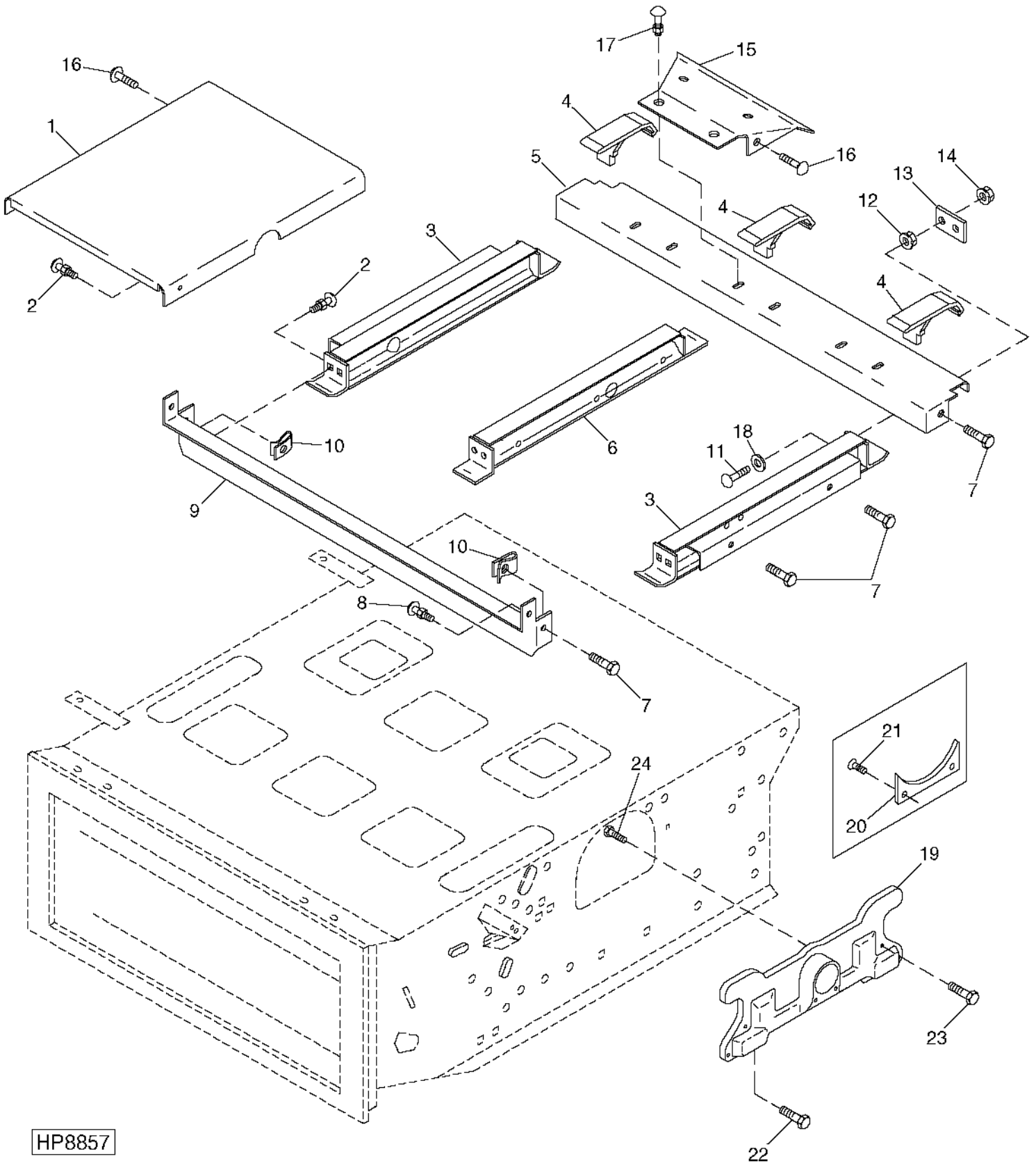
VARIABLE DRIVE UPPER COUNTERSHAFT, SHEAVES AND SUPPORTS - CONTINUED

KEY	PART NO.	PART NAME	QTY	SERIAL NO.	REMARKS
1	AH154961	STRAP	1		
2	R31378	O-RING	1		
3	19M7868	SCREW	6		M8 X 30
4	JD10018	BEARING	2		
5	H97378	HUB	1		INNER
6	AH157934	SHEAVE	1		360 MM (14-15/64") DIA. (SUB FOR H125489)
7	H151952	BELT	1		
8	AH136497	SEAL	1		
9	H160869	HALF SHEAVE	1		318 MM (12-35/64") DIA.
10	JD7759	LUBRICATION FITTING	2		STRAIGHT, 1/8"
11	24H1740	WASHER	AR		21/32" X 1-3/8" X 0.032", STRAIGHT, 1/4"
12	H101448	WASHER	AR		(SPECIAL)
13	H93084	BOOT	1		
14	H77698	TIE BAND	1		SELF-LOCKING
15	H161388	WASHER	1		
16	H166971	STRAP	1		(SUB FOR H161387)
17	19M7793	SCREW	1		M16 X 40
18	03M7192	BOLT	3		M10 X 30
19	H100247	SEAL	1		
20	H161544	PISTON	1		
21	H100246	SEAL	1		
22	H100245	HYDRAULIC CYLINDER BARREL	1		
23	AH154960	CYLINDER	1		
24	14M7296	FLANGE NUT	3		M10
25	19M7892	CAP SCREW	1		M20 X 80
26	H162288	BUSHING	1		
27	H162269	EYEBOLT	1		
28	14M7277	NUT	3		

3120

FEEDER HOUSE

FEEDER HOUSE RETURN FLOOR
HP8857 -UN-28JUL99

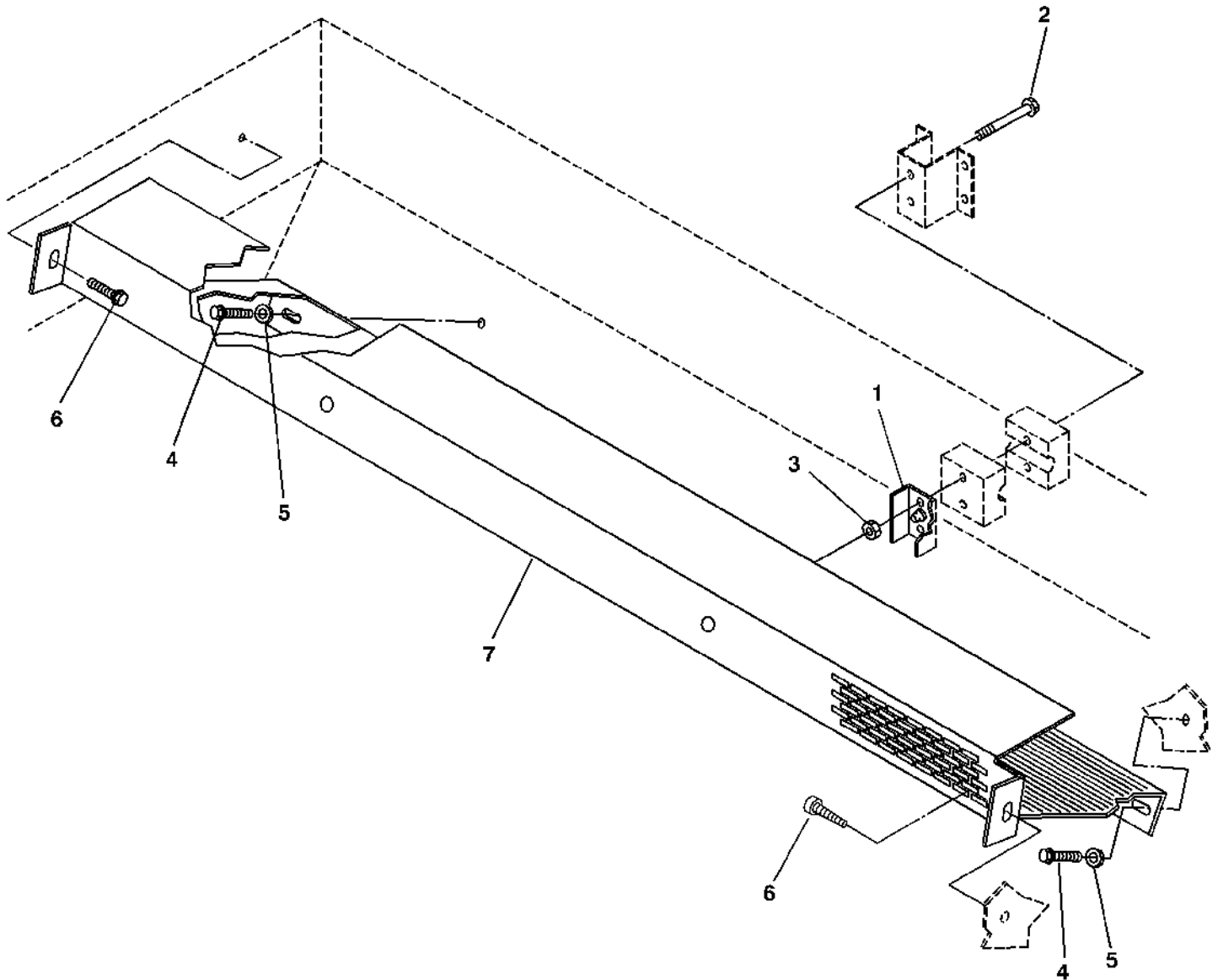


HP8857

FEEDER HOUSE RETURN FLOOR - CONTINUED

KEY	PART NO.	PART NAME	QTY	SERIAL NO.	REMARKS
1	AH155650	FLOOR	2		
2	03M7190	BOLT	8	M10 X 20	
	14M7296	FLANGE NUT	8	M10	
3	AH139243	RUNNER	2		OUTSIDE RUNNER
4	H148187	ANGLE	3		
5	AH141861	SUPPORT	1		
6	AH157942	RUNNER	1		INSIDE RUNNER
7	19M7785	SCREW	6	M10 X 25	
8	03M7191	BOLT	2	M10 X 25	
	14M7296	FLANGE NUT	2	M10	
9	H143358	CHANNEL	1		
10	H146457	NUT	2		
11	03M7194	BOLT	6	M10 X 40	
12	14M7296	FLANGE NUT	6	M10	
13	H150458	STRAP	3		
14	14M7400	LOCK NUT	6	M10	
15	H145464	STRIPPER	3		
16	19M7785	SCREW	8	M10 X 25	
17	03M7191	BOLT	6	M10 X 25	
	14M7296	FLANGE NUT	6	M10	
18	24M7028	WASHER	6	10.500 X 20 X 2 MM	
	14M7028	NUT	6	M5	
19	AH159053	SCOOP	1	-680503	L.H.
	AH159054	SCOOP	1	-680503	R.H.
	H168278	SCOOP	2	680504-	
20	H164391	STRIPPER	2		
21	H165318	SCREW	2		(MAKE FROM 19M7585)
22	19M7788	SCREW	4		M12 X 25
23	03M7198	BOLT	2		
24	H144962	SCREW	4		(SUB FOR H165317)

INTAKE SHIELD
HP7287 -UN-05DEC97



HP7287

3123

FEEDER HOUSE

INTAKE SHIELD - CONTINUED

KEY	PART NO.	PART NAME	QTY	SERIAL NO.	REMARKS
1	AH155275	FITTING	1		
2	19M8039	SCREW	2		M8 X 80
3	14M7396	LOCK NUT	2		M8
4	37M7086	SCREW	2		M10 X 20
5	24M7178	WASHER	2		10.500 X 30 X 2.500 MM
6	37M7058	SCREW	2		M8 X 20
7	H164494	SHIELD	1		NARROW

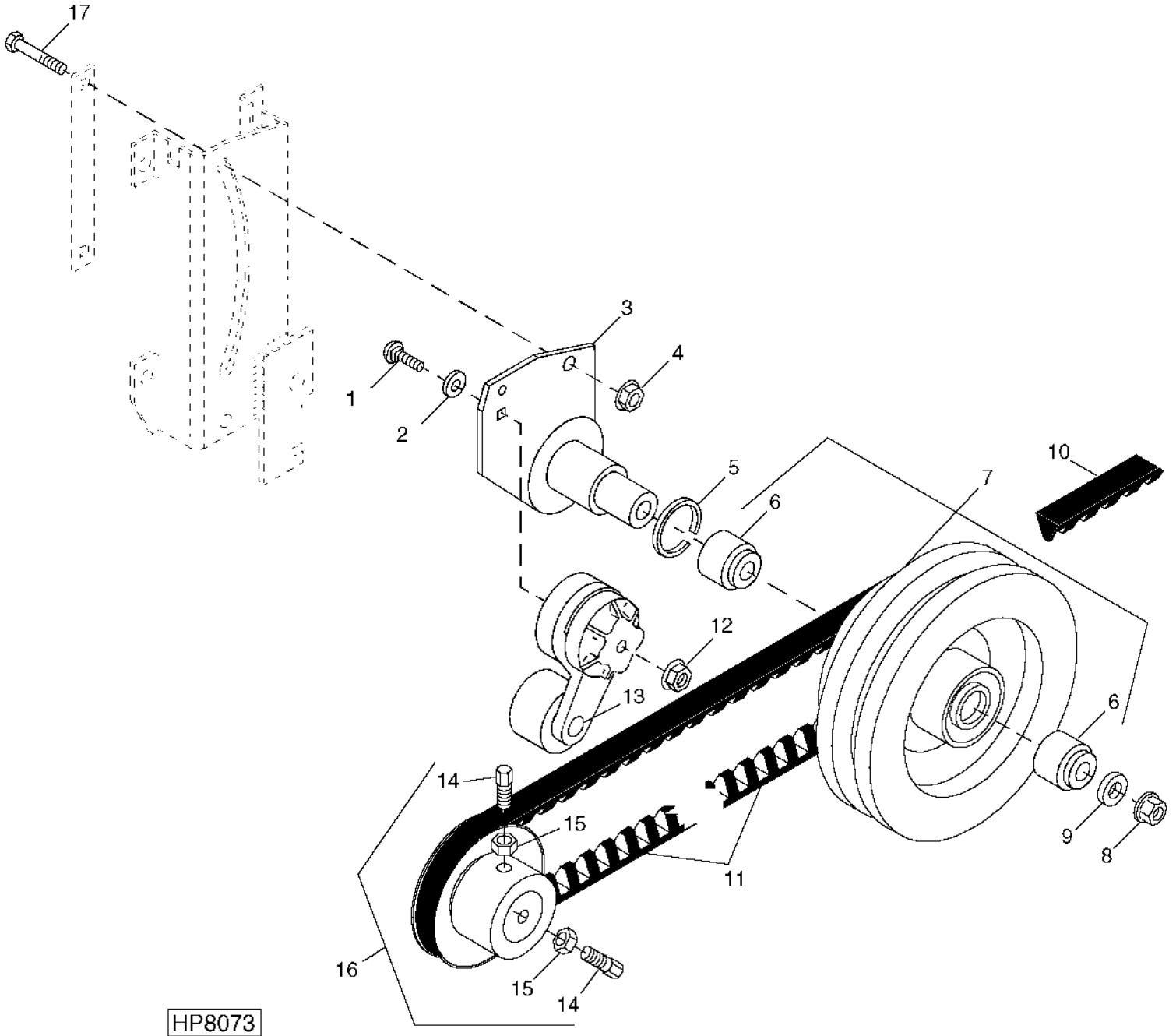
LH SIDE FEEDER HOUSE DUST FAN - CONTINUED

KEY	PART NO.	PART NAME	QTY	SERIAL NO.	REMARKS
1	AH155657	PLATE	1		
2	H134417	BRACKET	1		
3	AH155706	SHEAVE	1		
	AH155707	SHEAVE	1		
4	H138435	SET SCREW	1		
5	19M7845	SCREW	1		
6	AH155703	BRACKET	1		
7	R66626	GROMMET	2		
8	14M7299	FLANGE NUT	AR	M12	
9	H164537	SIGN	1		
10	H164222	EYEBOLT	1		
11	24M7349	WASHER	2	21 X 37 X 3 MM	
12	14M7277	NUT	2	M20	
13	H163994	SPACER	1		
14A	H164030	SUPPORT	1	(SUB AH159053 OR AH159054)	
14B	AH159053	SCOOP	1	(SUB H168278) L.H.	
	AH159054	SCOOP	1	(SUB H168278) R.H.	
14C	H168278	SCOOP	1		
15	AZ19427	BALL BEARING	1		
16	AH157168	BEARING	1		
17	19M7806	SCREW	1	M10 X 50	
18	AH157415	FAN	1		
19	19M7789	SCREW	3	M12 X 30	
20	H162211	ADJUSTING STRAP	1		
21	03M7205	BOLT	1	M16 X 40	
22	H163175	BOLT	1		
23	H172177	FINGER	1	(SUB FOR H162425)	
24	14M7152	NUT	1	M10	
25	H162278	BRACE	1		
26	AH155833	COVER	1		
27	H171318	COVER	1	(SUB FOR H162177)	
28	19M7963	CAP SCREW	1	M20 X 100	
	19M8224	CAP SCREW	1		
29	14M7277	NUT	3	M20	
30	14M7400	LOCK NUT	4	M10	
31	H164009	BRACKET	1		
32	24M7178	WASHER	4	10.500 X 30 X 2.500 MM	
33	03M7191	BOLT	4	M10 X 25	
34	03M7183	BOLT	2	M8 X 16	
35	14M7298	FLANGE NUT	2	M8	
36	H149063	LABEL	1		
37	03M7198	BOLT	6	M12 X 30	
38	19M7785	SCREW	2	M10 X 25	
39	03M7192	BOLT	5	M10 X 30	
40	H164018	LIMIT CURTAIN	2		
41	14M7296	FLANGE NUT	AR	M10	
42	H165317	SCREW	4		
43	H165318	SCREW	2		
44	H164391	STRIPPER	2		
45	03M7198	BOLT	2		
46	H144962	SCREW	4	M10 X 25	
47	H164411	SHAFT	1		
48	AH133191	ECCENTRIC LOCKING COLLAR	1		
49	22M7081	SET SCREW	1		

3J1

FEEDER HOUSE

LH FEEDER HOUSE DUST FAN BELT
HP8073 -UN-08APR99



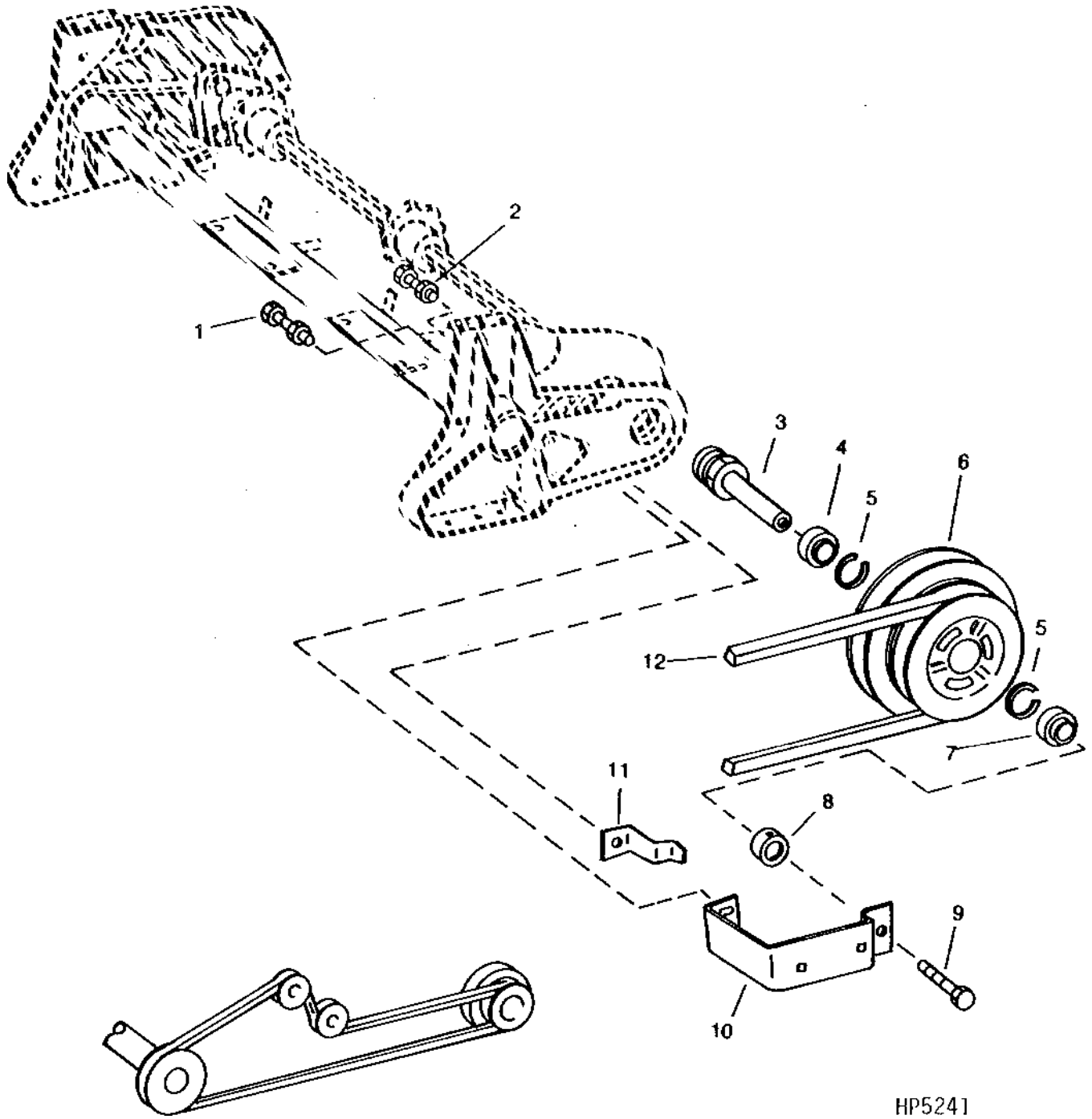
HP8073

LH FEEDER HOUSE DUST FAN BELT - CONTINUED

KEY	PART NO.	PART NAME	QTY	SERIAL NO.	REMARKS
1	19M7809	SCREW	1		
2	24M7028	WASHER	1		
3	AH156975	BRACKET	1		
4	14M7296	FLANGE NUT	5		M10
5	P46874	SNAP RING	1		
6	AN142665	BALL BEARING	2		
7	AH155715	SHEAVE	1		
8	14M7291	FLANGE NUT	3		M16
9	24M7315	WASHER	1		
10	H161648	BELT	1		
11	H164452	BELT	1		
12	14M7296	FLANGE NUT	3		M10
13	AH155348	TIGHTENER	1		
14	H138435	SET SCREW	2		M10 X 25
15	14M7152	NUT	2		M10
16	AH155707	SHEAVE	1		

UPPER DRIVE SHAFT, SHEAVE AND MOUNTINGS (FIXED SPEED WITH REVERSER)

HP5241 -UN-01JAN94



HP5241

3J4

FEEDER HOUSE

UPPER DRIVE SHAFT, SHEAVE AND MOUNTINGS - CONTINUED
(FIXED SPEED WITH REVERSER)

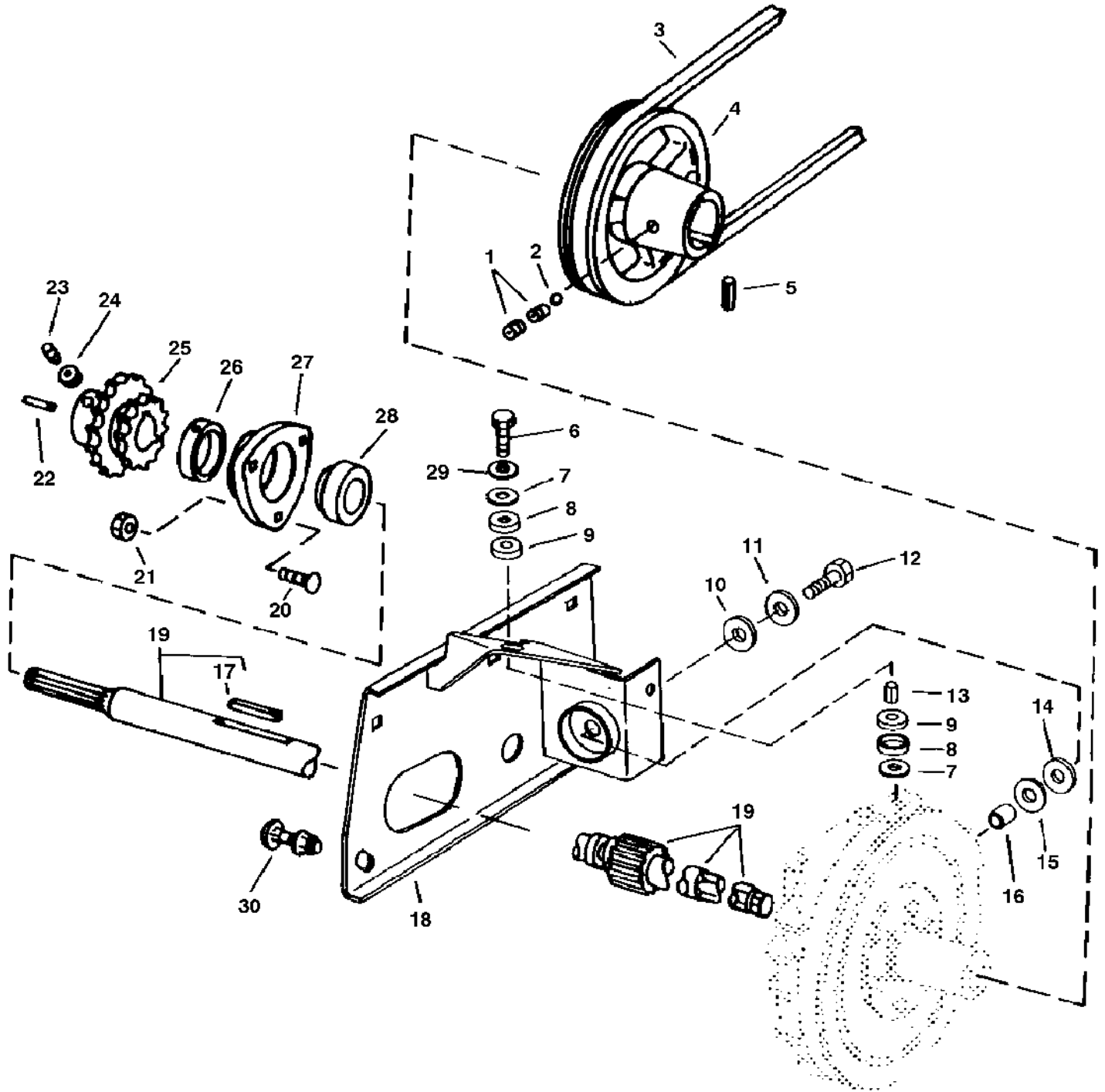
KEY	PART NO.	PART NAME	QTY	SERIAL NO.	REMARKS
1	19M7790	SCREW	1	M12 X 35	
	14M7299	FLANGE NUT	1	M12	
2	19M7789	SCREW	1	M12 X 30	
	14M7299	FLANGE NUT	1	M12	
3	AH125454	SHAFT	1		
4	JD9301	BALL BEARING	1		
5	P46874	SNAP RING	1		
6	H126261	SHEAVE	1		
7	JD9356	BALL BEARING	1		
8	JD8576	ECCENTRIC LOCKING COLLAR	1		
9	19M7790	SCREW	1	M12 X 35	
10	H172142	STRAP	1	(SUB FOR H134088)	
11	H126302	SCRAPER	1		
12	H126345	BELT	1		

3J5

FEEDER HOUSE

FRONT DRIVE SHAFT, SHEAVE AND MOUNTINGS (FIXED SPEED WITH REVERSER)

HP6878 -UN-18AUG97



HP6878

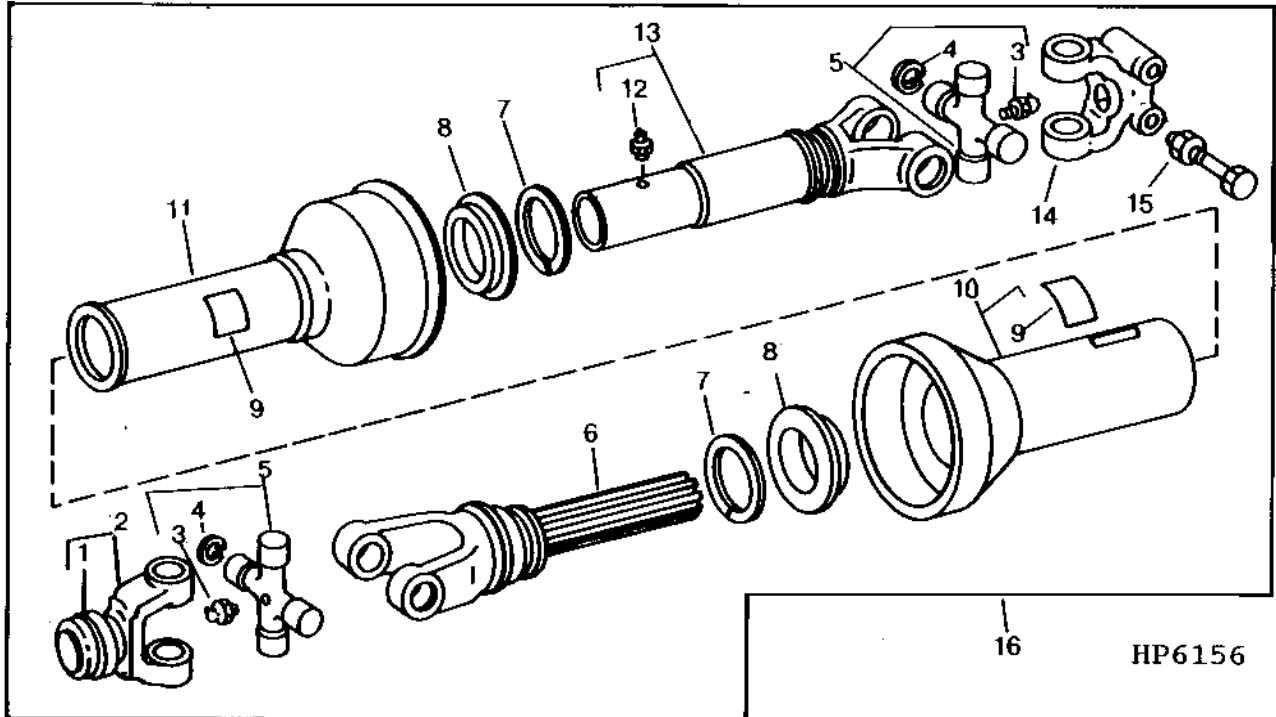
**FRONT DRIVE SHAFT, SHEAVE AND MOUNTINGS - CONTINUED
(FIXED SPEED WITH REVERSER)**

KEY	PART NO.	PART NAME	QTY	SERIAL NO.	REMARKS
1	22H775	SET SCREW	2		
2	H110922	BALL	1		5/16" X 1/4"
3	H126345	BELT	1		
4	H108889	SHEAVE	1		
5	34H305	SPRING PIN	1		
6	19M7827	SCREW	1		M16 X 80
7	P50456	WASHER	2		
8	H148132	BUSHING	2		
9	H148133	RETAINER	2		
10	T55761	SUPPORT	1		
11	R20136	WASHER	1		
12	19M7845	SCREW	1		M16 X 90
13	H148134	SPACER	1		
14	R62502	SUPPORT	1		
15	H97410	WASHER	1		
16	H95417	SPACER	1		
17	KEY	1		
18	AH144099	SUPPORT	1		
19	AH97642	SHAFT	1		
	AH136873	SHAFT	1	-31JA00	CONTOUR MASTER
	AH152937	SHAFT	1		CONTOUR MASTER USE WITH AH149349 (DRIVE SPROCKET) AND H170634 (TONE WHEEL))
20	03M7193	BOLT	3		M10 X 35
21	14M7296	FLANGE NUT	3		
22	M73000	SHAFT KEY	1		
23	H138435	SET SCREW	2		M10 X 25
24	14M7274	NUT	2		M10
25	AH125782	CHAIN SPROCKET	1		
	AH149349	DRIVE SPROCKET	1		USE WITH AH153341 (GEARBOX) AND H170634 (TONE WHEEL)
26	JD9201	ECCENTRIC LOCKING COLLAR	1		
27	H93927	HOUSING	1		
28	JD9202	BALL BEARING	1		
29	24M7241	WASHER	5		17 X 34 X 4 MM
30	03M7191	BOLT	4		M10 X 25
	03M7192	BOLT	1		M10 X 30
	14M7296	FLANGE NUT	5		M10

3J7

FEEDER HOUSE

CONTOUR MASTER DRIVESHAFT
(FOR ALL HEADERS EXCEPT 444 CORNHEAD, 914 BPU)
HP6156 -UN-01SEP95



CONTOUR MASTER DRIVESHAFT - CONTINUED
(FOR ALL HEADERS EXCEPT 444 CORNHEAD, 914 BPU)

KEY	PART NO.	PART NAME	QTY	SERIAL NO.	REMARKS
1	AE49773	KIT	1		SLIDE LOCK
2	AH144523	UNIVERSAL JOINT YOKE	1		
3	JD7760	LUBRICATION FITTING	2		65° X 21.336 MM LONG (0.840" LONG)
4	BP12946	SNAP RING	4		
5	AE23516	CROSS AND BEARING ASSEMBLY	2		
6	AH145203	YOKE, WITH SHAFT	1		
7	AH143512	KIT	2		NYLON BEARING
8	BEARING	1		(SUB AH143512)
9	DECAL	2		(SUB E82514) "DANGER"
10	AH154742	POWERSHAFT SHIELD	1		OUTER
11	AH154740	PTO POWR-GARD SHIELD	1		INNER
12	JD7842	LUBRICATION FITTING	1		
13	AH145205	YOKE, WITH TUBE	1		
14	AH141248	UNIVERSAL JOINT YOKE	1		
	14M7401	LOCK NUT	2		M12
15	19M7818	SCREW	2		M12 X 80
16	AH141283	U-JOINT,WITH SHAFT & SHIELD	1		(SUB AH154737) COMPLETE
	AH154737	U-JOINT,WITH SHAFT & SHIELD	1		(SUB AH155077)
	AH155077	UNIVERSAL DRIVESHAFT	1	9AUG99-	

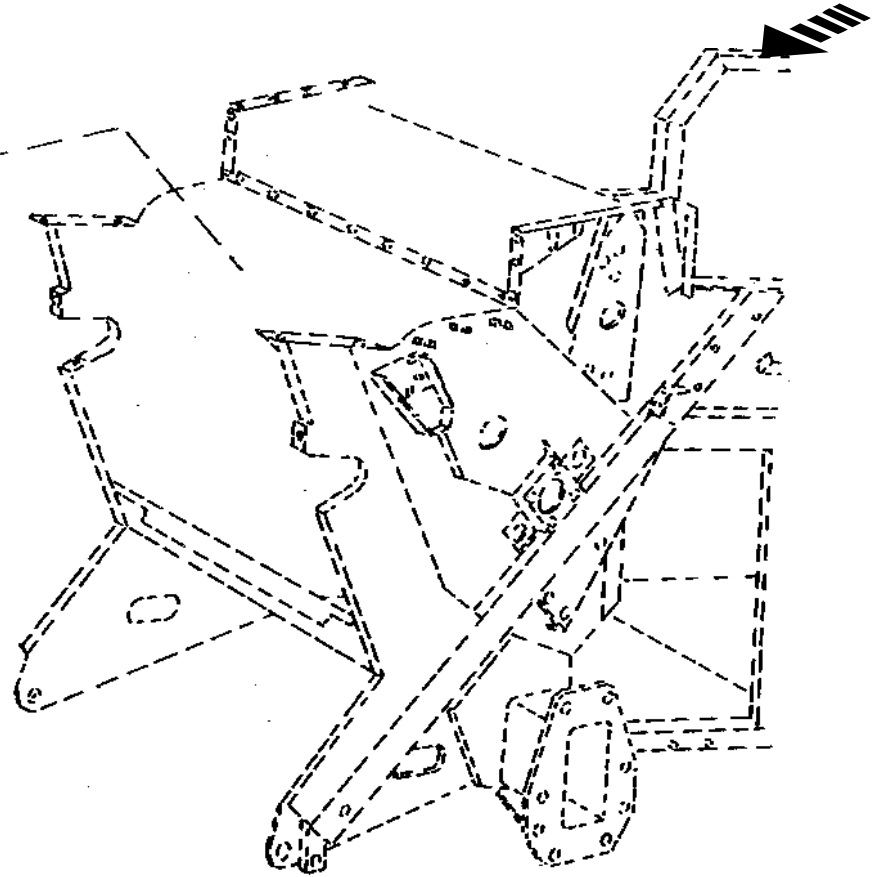
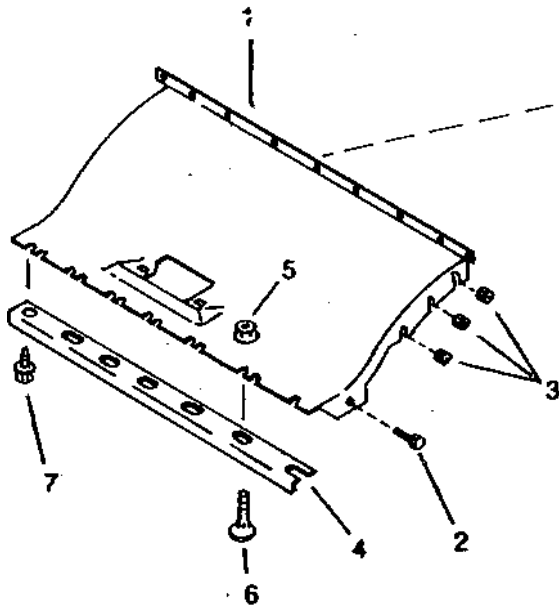
MEMORANDA

4B7

THRESHING AND SEPARATION

THRESHING CYLINDER COVER

HP5192 -UN-01JAN94

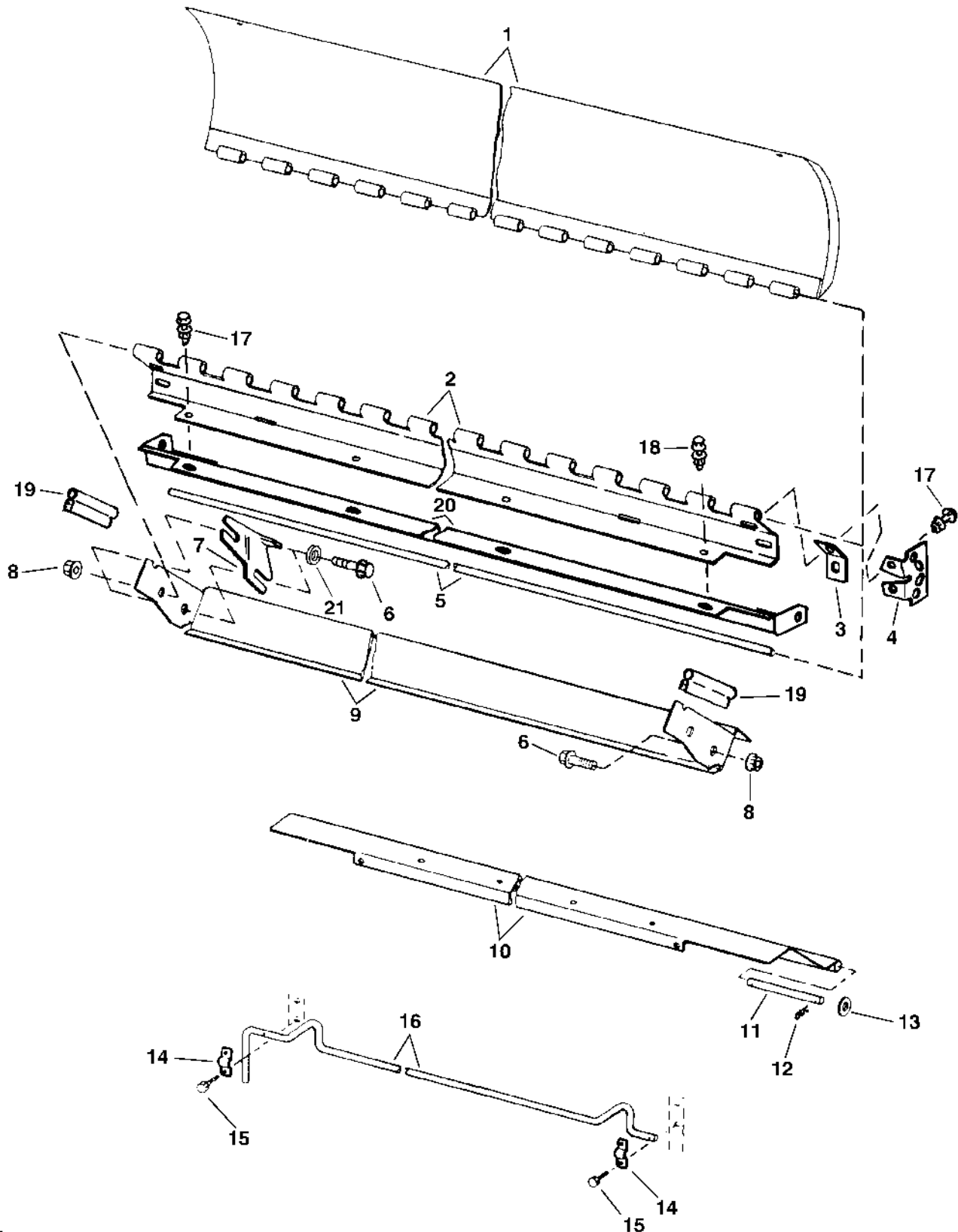


HP5192

KEY	PART NO.	PART NAME	QTY	SERIAL NO.	REMARKS
1	H147845	COVER	1		
2	19M7785	SCREW	2	M10 X 25	
3	14M7296	FLANGE NUT	8	M10	
4	H134168	SEAL	1	(FOR CORN ONLY)	
5	14M7298	FLANGE NUT	6	M8	
6	03M7183	BOLT	6	M8 X 16	
7	37M7092	SCREW	1	M8 X 16	

4B8

SEPARATOR / FEEDER HOUSE SEAL, STONE TRAP AND DOOR
HP6795 -UN-03OCT97



HP6795

4B9

THRESHING AND SEPARATION

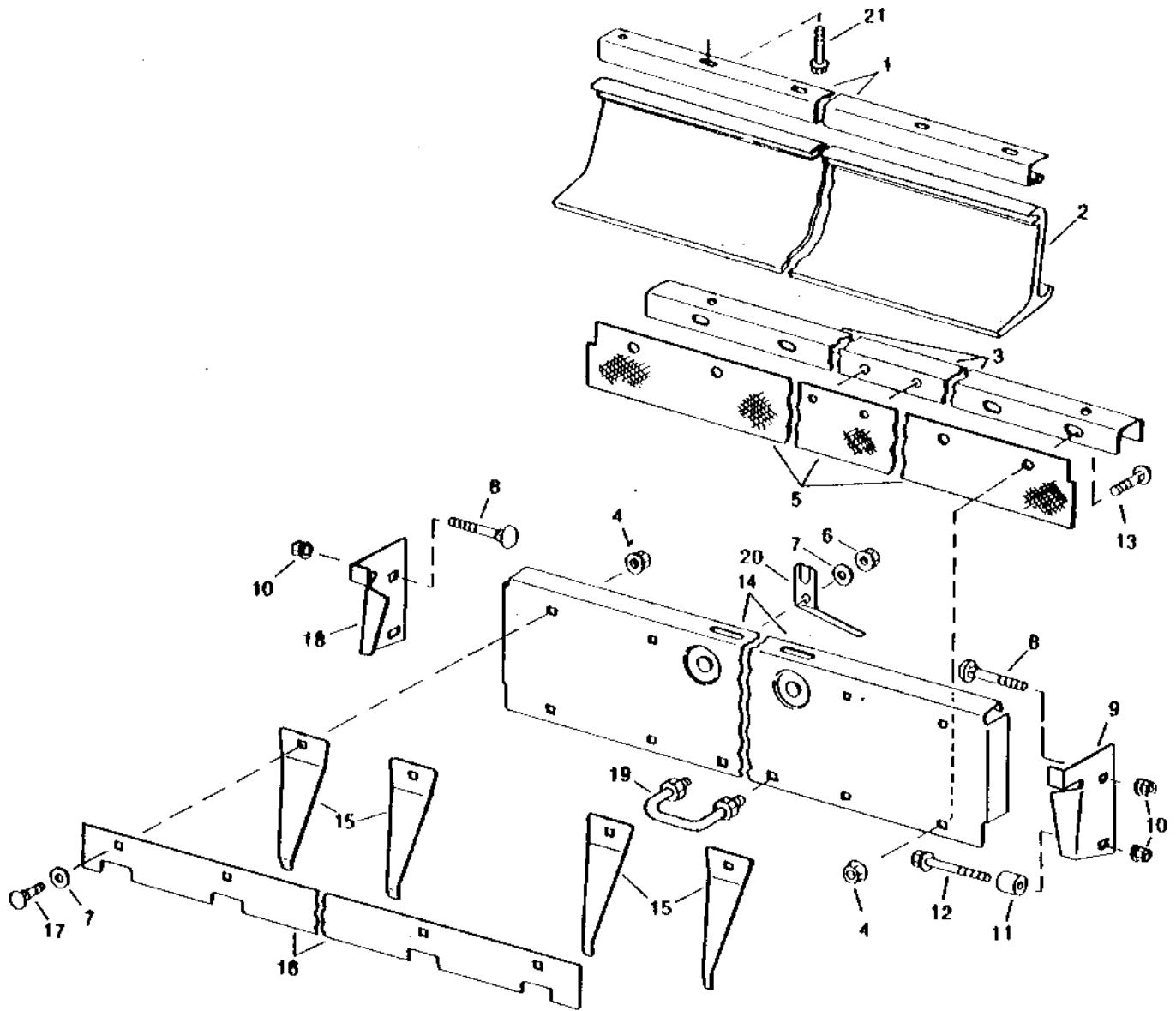
SEPARATOR / FEEDER HOUSE SEAL, STONE TRAP AND DOOR - CONTINUED

KEY	PART NO.	PART NAME	QTY	SERIAL NO.	REMARKS
1	AH120502	PLATE	1		
2	H148021	HINGE	1		
3	H148019	REINFORCEMENT	2		
4	H148018	SUPPORT	2		
5	PIN	1		(MAKE FROM H130057) CUT TO 1385 MM
6	19M7812	SCREW	6		M10 X 100
7	H146730	STOP	1		
8	14M7296	FLANGE NUT	6		M10
9	H151067	DEFLECTOR	1		
10	H134335	DOOR	1		
11	H148925	PIN	2		
12	11M7030	COTTER PIN	4		
13	24M7051	WASHER	2		21 X 37 X 3 MM
14	H134339	BRACKET	2		
15	37M7080	SCREW	4		M10 X 30
16	H134338	ROD	1		
17	03M7191	BOLT	4		M10 X 25
	14M7296	FLANGE NUT	4		M10
18	19M7866	SCREW	4		M8 X 20
	14M7298	FLANGE NUT	4		M8
19	H151068	SHIELD	2		
20	H148023	ANGLE	1		(FIELD CONVERSION ONLY)
21	24M7178	WASHER	2		10.500 X 30 X 2.500 MM

4B10

THRESHING AND SEPARATION

CYLINDER DOOR
HP5678 -UN-01JAN94



HP5678

4B11

THRESHING AND SEPARATION

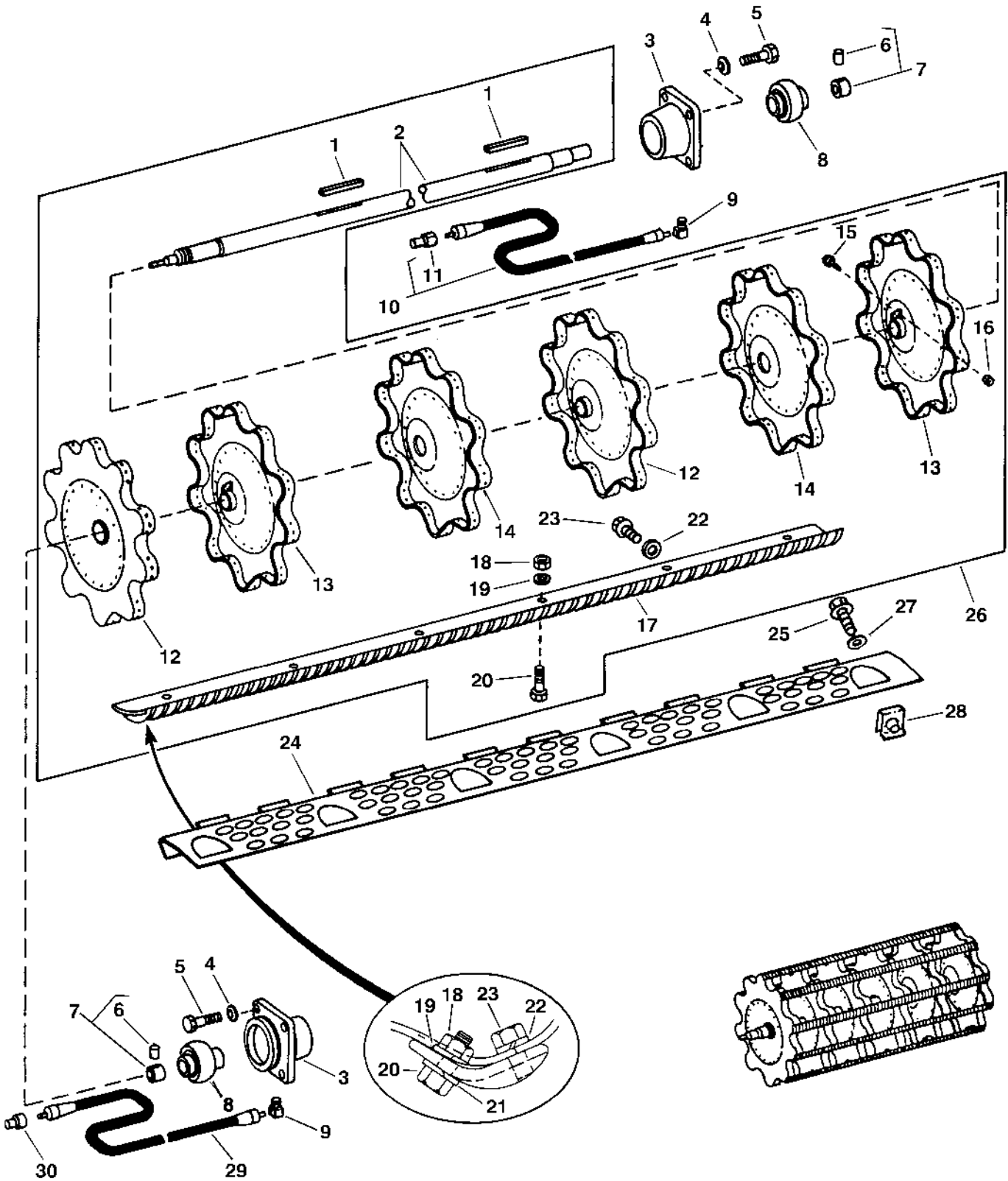
CYLINDER DOOR - CONTINUED

KEY	PART NO.	PART NAME	QTY	SERIAL NO.	REMARKS
1	H150128	HINGE	1		
2	AH144104	DEFLECTOR	1		(USE WITH H150134)
	H150134	SEAL	1		
3	H150130	SUPPORT	1		
4	14M7298	FLANGE NUT	14	M8	
5	H150133	SEAL	1		
6	14M7396	LOCK NUT	2	M8	
7	24M7047	WASHER	2		13 X 24 X 2.500 MM (0.512" X 0.945" X 0.098")
8	03M7247	BOLT	2		M10 X 90
9	SUPPORT	1		(ORDER AH144609) (INCLUDES BOTH R.H. AND L.H. SUPPORTS)
10	14M7296	FLANGE NUT	4	M10	
11	E50096	BUSHING	2		10.312 X 25.400 X 27.940 MM (13/32" X 1" X 1.100")
12	19M7944	SCREW	2	M10 X 120	
13	03M7184	BOLT	9	M8 X 20	
14	AH130202	DOOR	1		
15	H148058	SPRING	4		
16	H148066	STRIP	1		
17	03M7183	BOLT	6	M8 X 16	
18	SUPPORT	1		(ORDER AH144609) (INCLUDES BOTH R.H. AND L.H. SUPPORTS)
19	H150131	U-BOLT	2		(SUB AH144609)
	14H785	NUT	1		7.925 MM (5/16")
	14H1042	NUT	1		7.925 MM (5/16")
20	H134654	HANDLE	2		
21	19M7866	SCREW	4	M8 X 20	

4B12

THRESHING AND SEPARATION

RASP BAR THRESHING CYLINDER
HP7336 -UN-22DEC97



HP7336

4B13

THRESHING AND SEPARATION

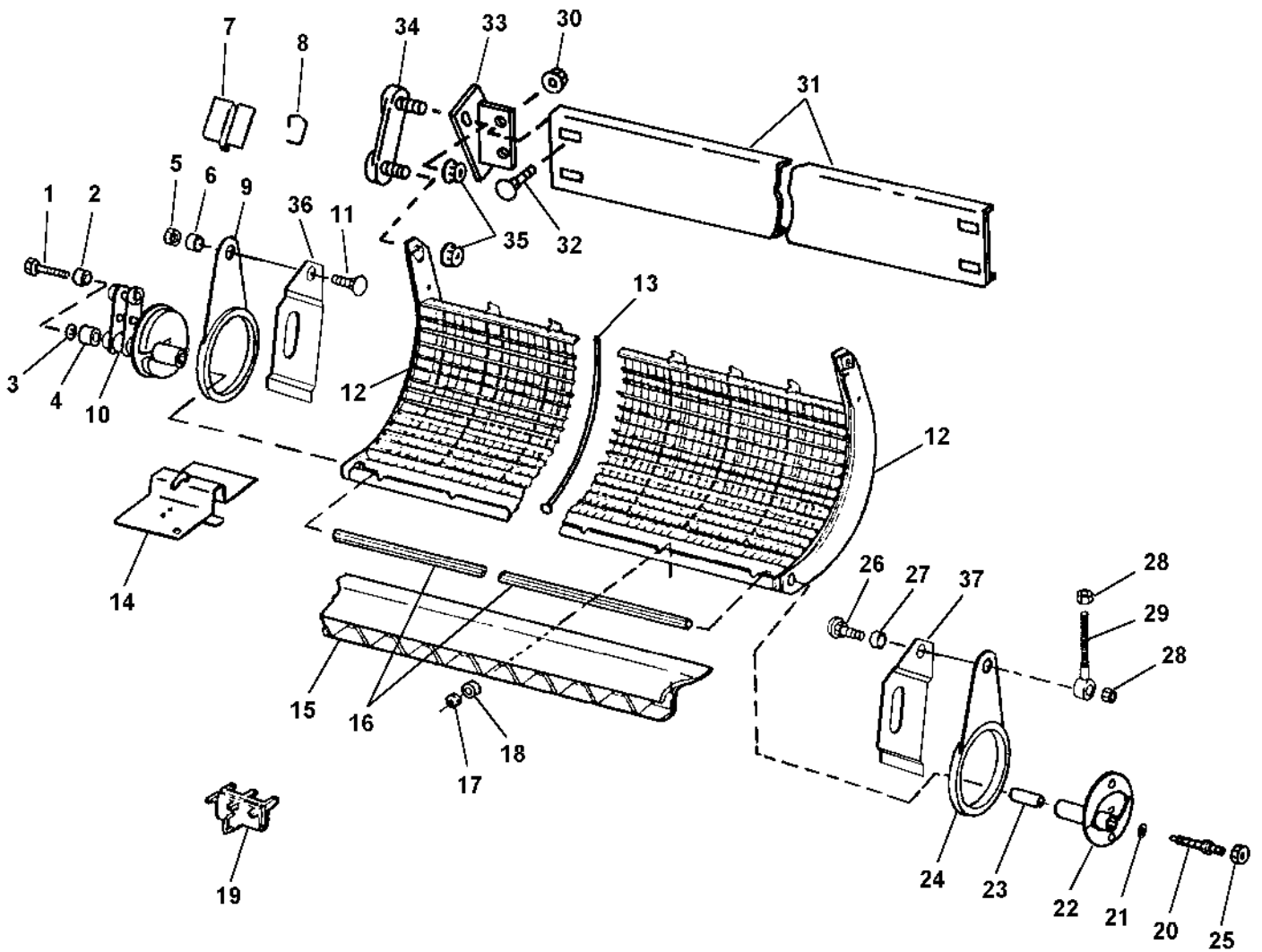
RASP BAR THRESHING CYLINDER - CONTINUED

KEY	PART NO.	PART NAME	QTY	SERIAL NO.	REMARKS
1	SHAFT KEY	2		(CUT FROM H64376) IN AH64587 KEY STOCK KIT
2	H140043	SHAFT	1		DUAL RANGE
	H145970	SHAFT	1	655542-	(GRAIN)
3	H99149	HOUSING	2		
4	12H304	LOCK WASHER	8		3/8"
5	19H1732	CAP SCREW	8		3/8" X 1-1/4"
6	SET SCREW	2		
7	JD10342	ECCENTRIC LOCKING COLLAR	2		
8	JD10343	BALL BEARING	2		
9	JD7845	ELBOW FITTING	2		
10	AH121009	HOSE	1		1/8" X 910 MM (35-3/4") X 1/8", LEFT-HAND
11	JD7788	LUBRICATION FITTING	1		
12	AH126720	THRESHING CYLINDER HEAD	2		WITH PILOT HUB
13	AH126719	THRESHING CYLINDER HEAD	2		WITH KEYED HUB
14	H131878	THRESHING CYLINDER HEAD	2		WITH NO HUB
15	19H1820	CAP SCREW	2		1/2" X 3"
	12H301	LOCK WASHER	2		1/2"
16	14H1040	NUT	2		1/2"
17	AH134145	RASP BAR	1		(SUB AH161400) L.H. CHROME (PKG 5)
	AH134144	RASP BAR	1		(SUB AH161405) R.H. CHROME (PKG 5)
	AH161400	RASP BAR	1		L.H. CHROME
	AH161405	RASP BAR	1		R.H. CHROME
18	H99923	LOCK NUT	AR	-680400	3/8"
	H135891	LOCK NUT	AR	680401-	M10
19	24H1308	WASHER	AR	-680400	13/32" X 1" X 0.134"
20	19H3239	CAP SCREW	AR	-680400	3/8" X 1-1/4"
	19M7402	CAP SCREW	AR	680401-	M10 X 25 M10 X 1.5 X 25
21	24H1303	WASHER	2		13/32" X 11/16" X 0.065"
22	12H304	LOCK WASHER	AR		3/8"
23	19H2554	CAP SCREW	AR	-680400	3/8" X 5/8"
	19M7783	SCREW	AR	680401-	M10 X 16 M10 X 1.5 X 16-10.9
24	H150837	DEFLECTOR	10		PERFORATED
25	H145773	SELF-LOCKING SCREW	AR		M10 X 35
26	AH140131	RASP-BAR CYLINDER	1		(SUB AH162827) (GRAIN)
	AH162833	RASP-BAR CYLINDER	1		(SUB FOR AH134658) DUAL RANGE W/CHROME BARS
	AH162821	RASP-BAR CYLINDER	1		(SUB FOR AH144544) DUAL RANGE W/BLACK BARS
	AH162827	RASP-BAR CYLINDER	1		W/SHAFT
27	24H1308	WASHER	AR		13/32" X 1" X 0.134"
28	H146457	NUT	AR		
29	AH121009	HOSE	1		1/8" X 910 MM (35-3/4") X 1/8", R.H.
30	JD7788	LUBRICATION FITTING	1		
..	AH140417	KIT	1		(INCLUDES (60) H145773, (60) H146457 AND 24H1308)
..	AH161818	KIT	1		(SUB AH163920 OR AH163921) (SUB FOR AH146116) (INCLUDES (70) A51212, (70) 19M7402, (70) 19M7783 AND (70) 24M7028) METRIC
..	AH163920	KIT	2		(INCLUDES (35) H135891, (35) 19M7402 AND (35) 19M7783) METRIC
..	AH163921	KIT	1		(INCLUDES (14) H135891, (14) 19M7402 AND (14) 19M7783) METRIC
..	BH81162	COMPLETE GOODS/SHIP. BUNDLE	1		PERFORATED FILLER PLATES - NARROW
..	BH81541	COMPLETE GOODS/SHIP. BUNDLE	1		CYLINDER ASSEMBLY WITH SHAFT AND RASP BAR

4B14

THRESHING AND SEPARATION

RASP BAR CONCAVE
HP7552 -UN-02JUN98



HP7552

4B15

THRESHING AND SEPARATION

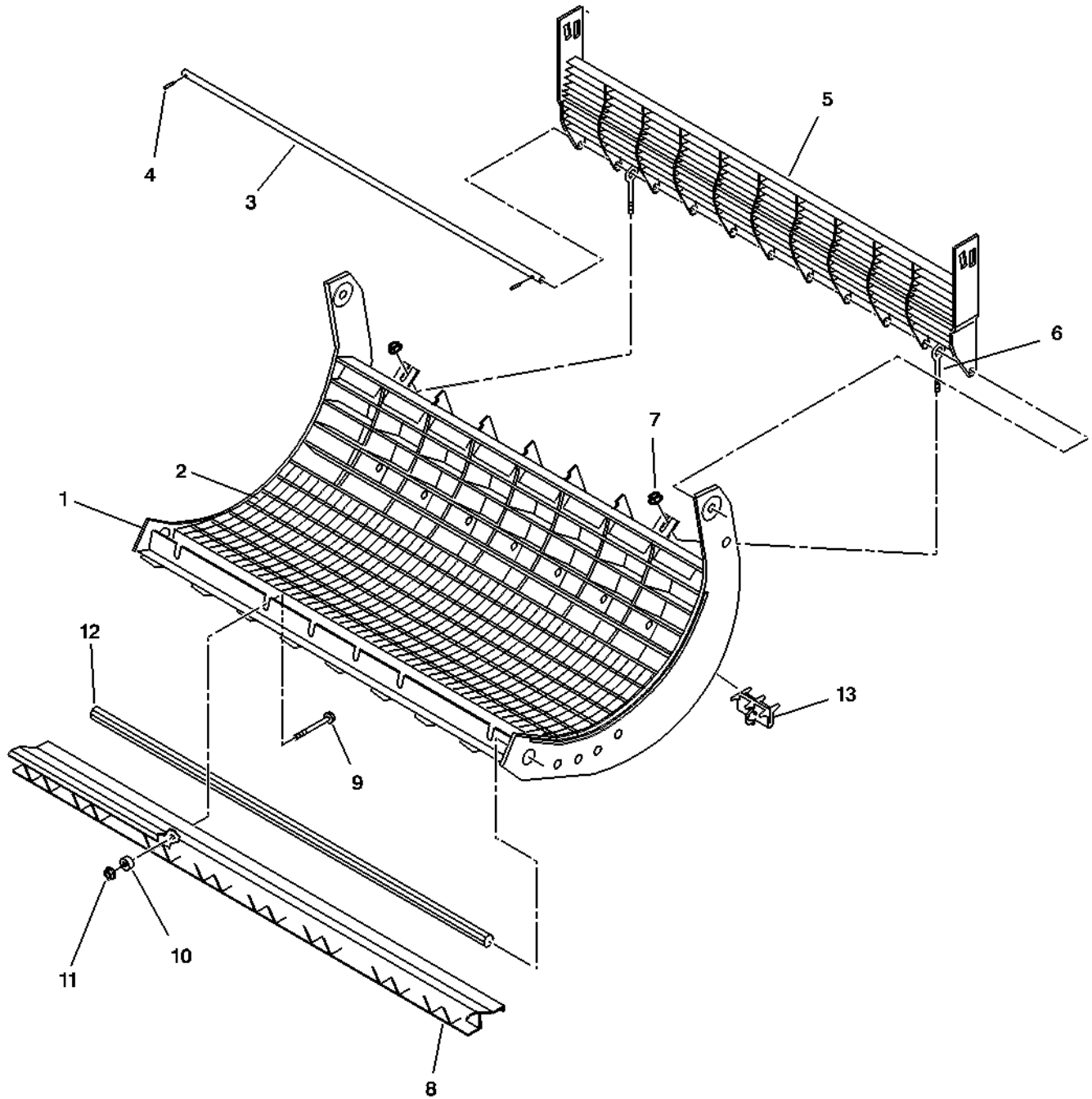
RASP BAR CONCAVE - CONTINUED

KEY	PART NO.	PART NAME	QTY	SERIAL NO.	REMARKS
1	H132541	SCREW	1		
2	28H1597	WASHER	1	0.546" X 0.840" X 3/8"	
3	24H1351	WASHER	1	9/16" X 1-1/2" X 0.164"	
4	28H1601	BUSHING	1	0.546" X 0.840" X 4-1/8"	
5	14M7300	FLANGE NUT	1	M20	
6	H137204	BUSHING	1	20.620 X 38.100 X 15 MM	
7	H134418	COVER	1		
8	H134420	RETAINER	1		
9	H151484	LINK	1		
10	AH133156	CAM	1	R.H.	
11	H137203	BOLT	1	M20 X 65	
12	AH136605	CONCAVE	1	(SUB FOR AH155494)	
13	H135036	PIN	AR		
14	AH130465	COVER	1		
15	AH151119	ANGLE	1		
16	H145639	SHAFT	1		
17	14M7401	LOCK NUT	1	M12	
18	E47782	SPACER	1		
19	AH153688	INSERT	16	SHORT WIRE	
20	H147468	ROD	1		
21	24H1351	WASHER	1	9/16" X 1-1/2" X 0.164"	
22	AH133157	CAM	1	L.H.	
23	28H2642	SPACER	1		
24	H151484	LINK	1		
25	A31867	LOCK NUT	1	M12	
26	H137203	BOLT	1	M20 X 65	
27	H137204	BUSHING	1	20.620 X 38.100 X 15 MM	
28	14M7276	NUT	2	M16	
29	H164222	EYEBOLT	1		
30	14M7401	LOCK NUT	4	M12	
31	H140936	CHANNEL	1		
32	03M7198	BOLT	4	M12 X 30	
33	AH135335	BRACKET	1	R.H.	
	AH135336	BRACKET	1	L.H.	
34	AH135337	STRAP	1		
35	14M7299	FLANGE NUT	4	M12	
36	H131989	COVER	1		
37	H131988	COVER	1		
..	AH144536	INSERT	1	(CARTON OF 16)	
..	BH78486	COMPLETE GOODS/SHIP. BUNDLE	1	CONCAVE COVERS	
..	BH80498	COMPLETE GOODS/SHIP. BUNDLE	1	CONCAVE CTS UNIQUE PARTS	
..	BH81380	COMPLETE GOODS/SHIP. BUNDLE	1	CONCAVE INSERTS, BOX OF 16	
..	BH81466	COMPLETE GOODS/SHIP. BUNDLE	1	SPIKE TO RASP BAR CONVERSION	
..	BH81477	COMPLETE GOODS/SHIP. BUNDLE	1	SPIKE TO RASP BAR CONVERSION	

4B16

CONCAVE ASSEMBLY AND BEATER GRATE (13-BAR NARROW)

HP7388 -UN-02FEB98



HP7388

4B17

THRESHING AND SEPARATION

CONCAVE ASSEMBLY AND BEATER GRATE (13-BAR NARROW) - CONTINUED

KEY	PART NO.	PART NAME	QTY	SERIAL NO.	REMARKS
1	AH150497	CONCAVE	1		13 BAR NARROW
2	H157967	NAIL	50		
3	H140803	PIN	1		
4	11M7015	COTTER PIN	2		
5	AH151121	GRATE	1		NARROW BODY
6	H144742	EYEBOLT	2		M10 X 62
7	H135891	LOCK NUT	2	-675316	M10 M10
	14M7400	LOCK NUT	2	675317-	M10
8	AH151119	ANGLE	1		NARROW BODY
9	H139098	BOLT	6		
10	E47782	SPACER	6		
11	14M7401	LOCK NUT	6		M12
12	H145639	SHAFT	1		NARROW
13	AH153688	INSERT	16		CONCAVE GRID (CARTON OF 20)
..	BH81335	COMPLETE GOODS/SHIP. BUNDLE	1		CONCAVE ASSEMBLY - LESS INSERTS

4B19

THRESHING AND SEPARATION

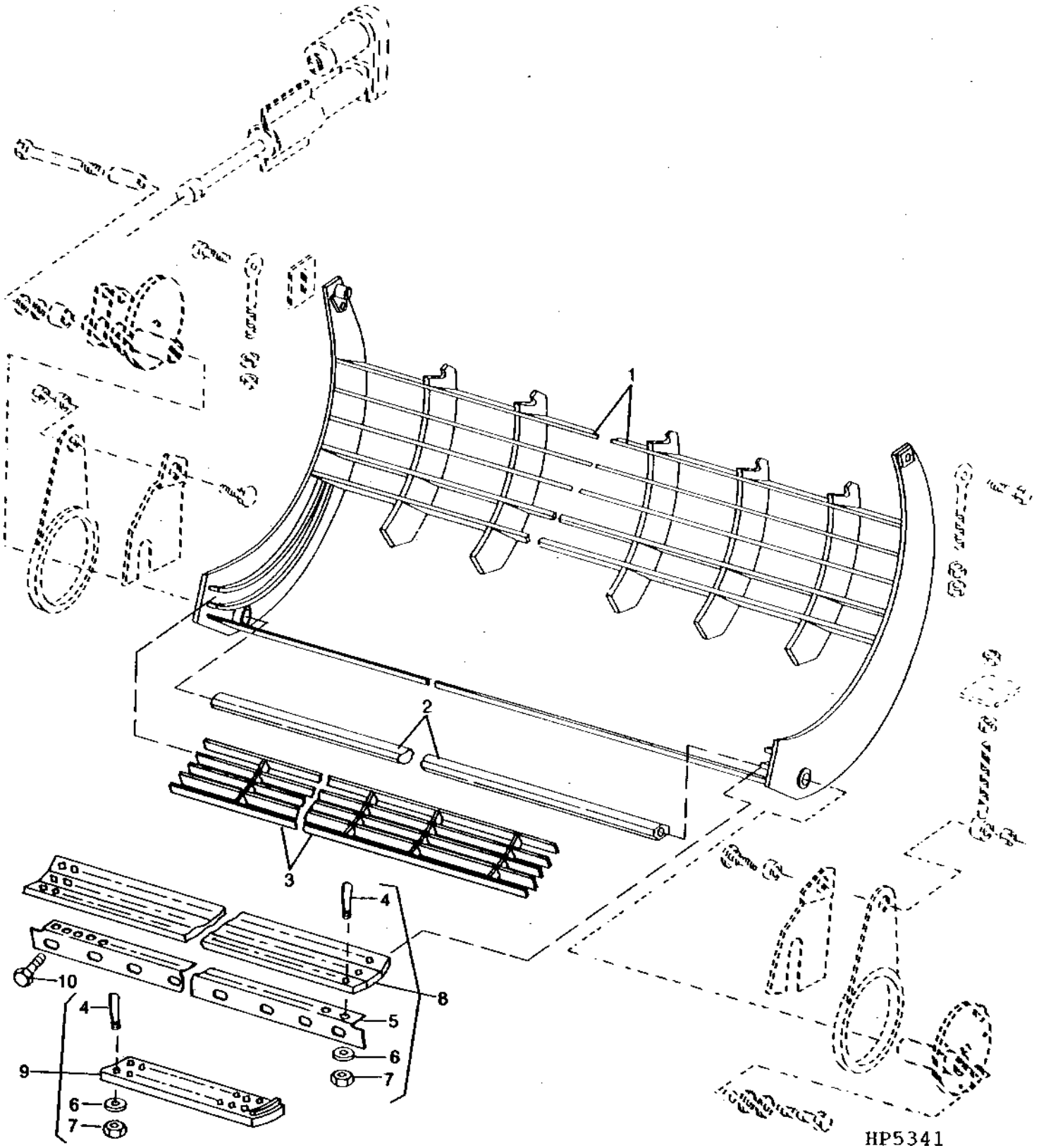
SPIKE TOOTH THRESHING CYLINDER - CONTINUED

KEY	PART NO.	PART NAME	QTY	SERIAL NO.	REMARKS
1	SHAFT KEY	2		(IN AH64587 KEY STOCK KIT) (CUT FROM H64376)
2	H140043	SHAFT	1		FOR DUAL RANGE
3	H99149	HOUSING	2		
4	12H304	LOCK WASHER	8	3/8"	
5	19H1732	CAP SCREW	8	3/8" X 1-1/4"	
6	JD10342	ECCENTRIC LOCKING COLLAR	2		
7	JD10343	BALL BEARING	2		
8	JD7845	ELBOW FITTING	2		
9	AH121009	HOSE	2		1/8" X 910 MM (35-3/4") X 1/8"
10	JD7759	LUBRICATION FITTING	2		
11	H132057	TOOTH	312		
12	12H301	LOCK WASHER	2	1/2", (INTO HEADER WITH KEYED HUB)	
	12H301	LOCK WASHER	312	1/2"	
13	14H809	NUT	2	1/2", (INTO HEADER WITH KEYED HUB)	
	14H1040	NUT	314	1/2"	
14	19H1820	CAP SCREW	2	1/2" X 3"	
15	P5403H	TOOL	1		
16	AH134662	SPIKE-TOOTH CYLINDER	1		DUAL RANGE AND LOW SPEED DUAL RANGE. USE TO CONVERT TO SPIKE TOOTH, INCS. SPIKE TOOTH CYLINDER
..	AH126871	BAR	6		(INCLUDES (26) H132057, (19) 12H301 AND (19) 14H809)
..	AH127963	BAR	6		(INCLUDES (26) H132057, (18) 12H301 AND (18) 14H809)
..	BH80119	COMPLETE GOODS/SHIP. BUNDLE	1		RASP BAR TO SPIKE TOOTH CONVERSION

4B20

THRESHING AND SEPARATION

SPIKE-TOOTH CONCAVE
HP5341 -UN-01JAN94



4B21

THRESHING AND SEPARATION

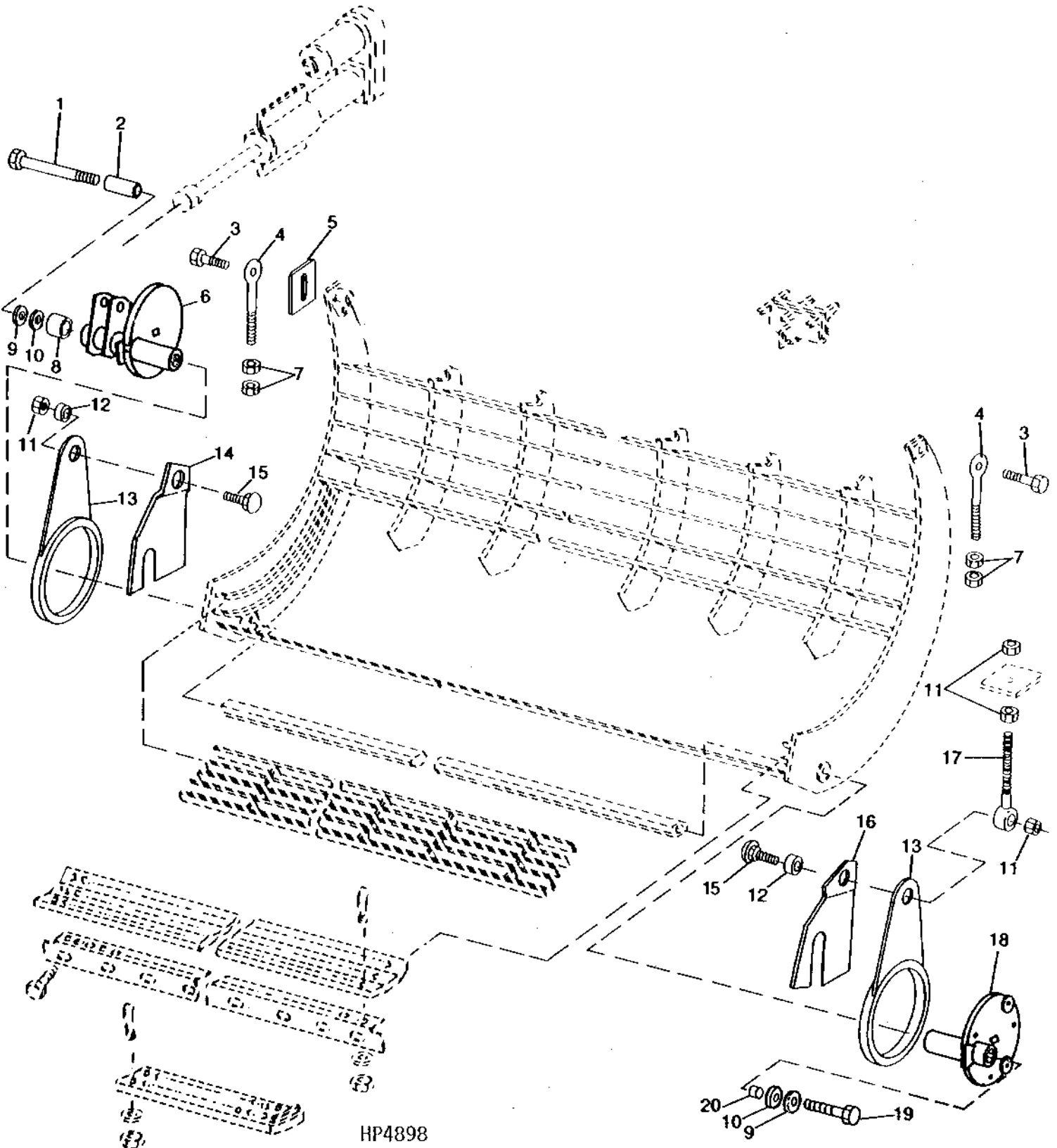
SPIKE-TOOTH CONCAVE - CONTINUED

KEY	PART NO.	PART NAME	QTY	SERIAL NO.	REMARKS
1	AH135647	CONCAVE	1		
2	H145639	SHAFT	1	(SUB H145639)	
3	AH131331	GRATE	1		
4	H132057	TOOTH	AR		
5	H145257	ANGLE	1		
6	12H301	LOCK WASHER	AR	1/2"	
7	14H1040	NUT	AR	1/2"	
8	AH139246	BAR	AR		
9	AH126880	CONCAVE	1		
10	19M7786	SCREW	7	M10 X 30	
..	BH71877	COMPLETE GOODS/SHIP. BUNDLE	1	RASP BAR TO SPIKE TOOTH CONVERSION	

4B22

THRESHING AND SEPARATION

SPIKE TOOTH CONCAVE
HP4898 -UN-01JAN94



HP4898

4B23

THRESHING AND SEPARATION

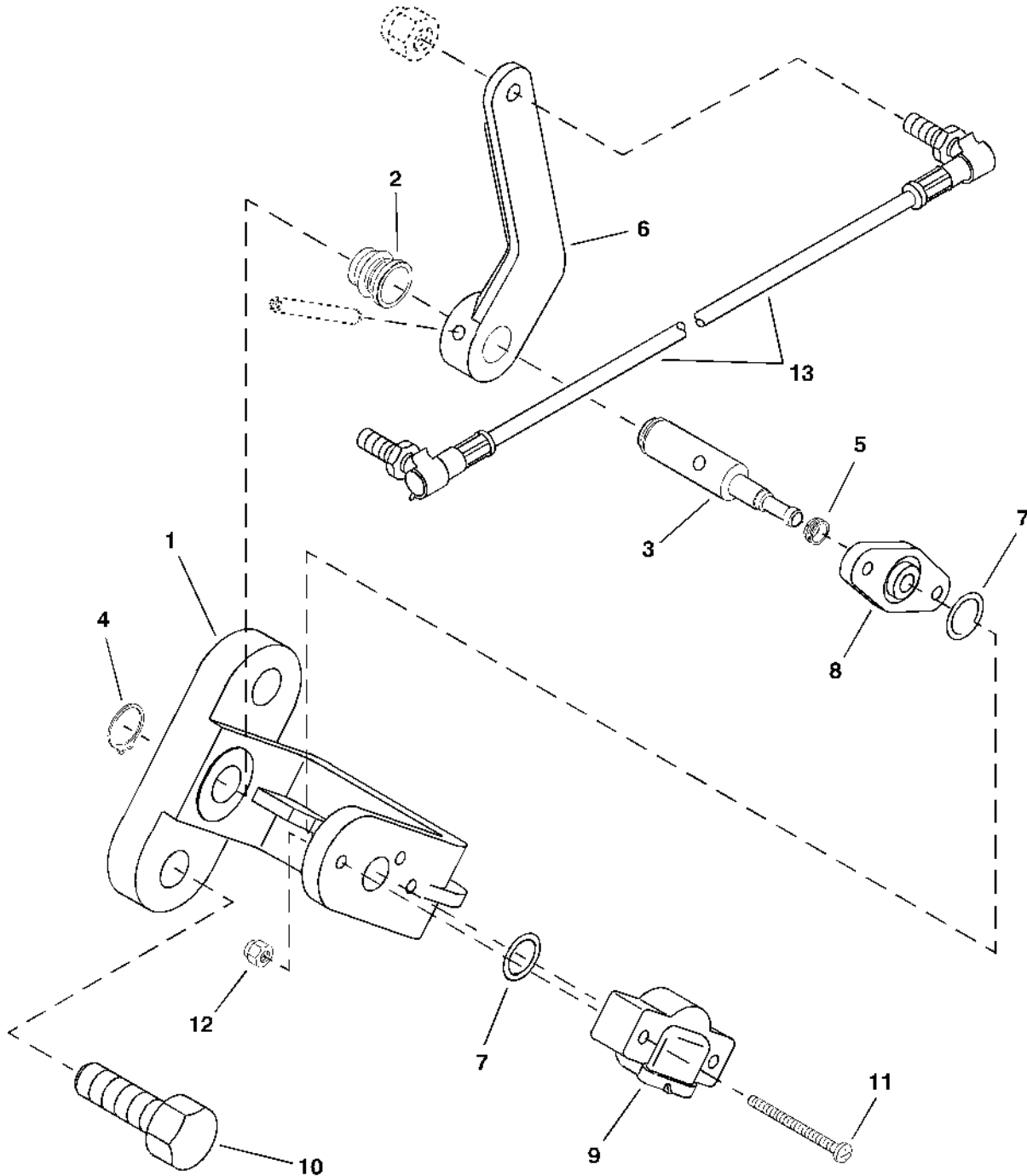
SPIKE TOOTH CONCAVE - CONTINUED

KEY	PART NO.	PART NAME	QTY	SERIAL NO.	REMARKS
1	H132541	SCREW	1		
2	28H1597	WASHER	1		
3	19M8060	SCREW	2	M20 X 45	
4	H143610	EYEBOLT	2		
5	H146318	ADJUSTING STRAP	1		
6	AH135240	CAM	1		
7	14M7291	FLANGE NUT	4	M16	
8	H134816	SPACER	1		
9	24H1351	WASHER	2	9/16" X 1-1/2" X 0.164"	
10	H133633	SEAL	2		
11	14M7300	FLANGE NUT	4	M20	
12	H137204	BUSHING	4		
13	AH127829	LINK	2		
14	H131986	COVER	1	LEFT-HAND	
15	H137203	BOLT	2		
16	H131987	COVER	1		
17	H164222	EYEBOLT	1		
18	AH133157	CAM	1		
19	19M7819	SCREW	1	M12 X 90	
20	28H2642	SPACER	1		
..	P5403H	TOOL	1		

4B24

THRESHING AND SEPARATION

SPIKE TOOTH INDICATOR
HP6744 -UN-11JUL97



HP6744

4B25

THRESHING AND SEPARATION

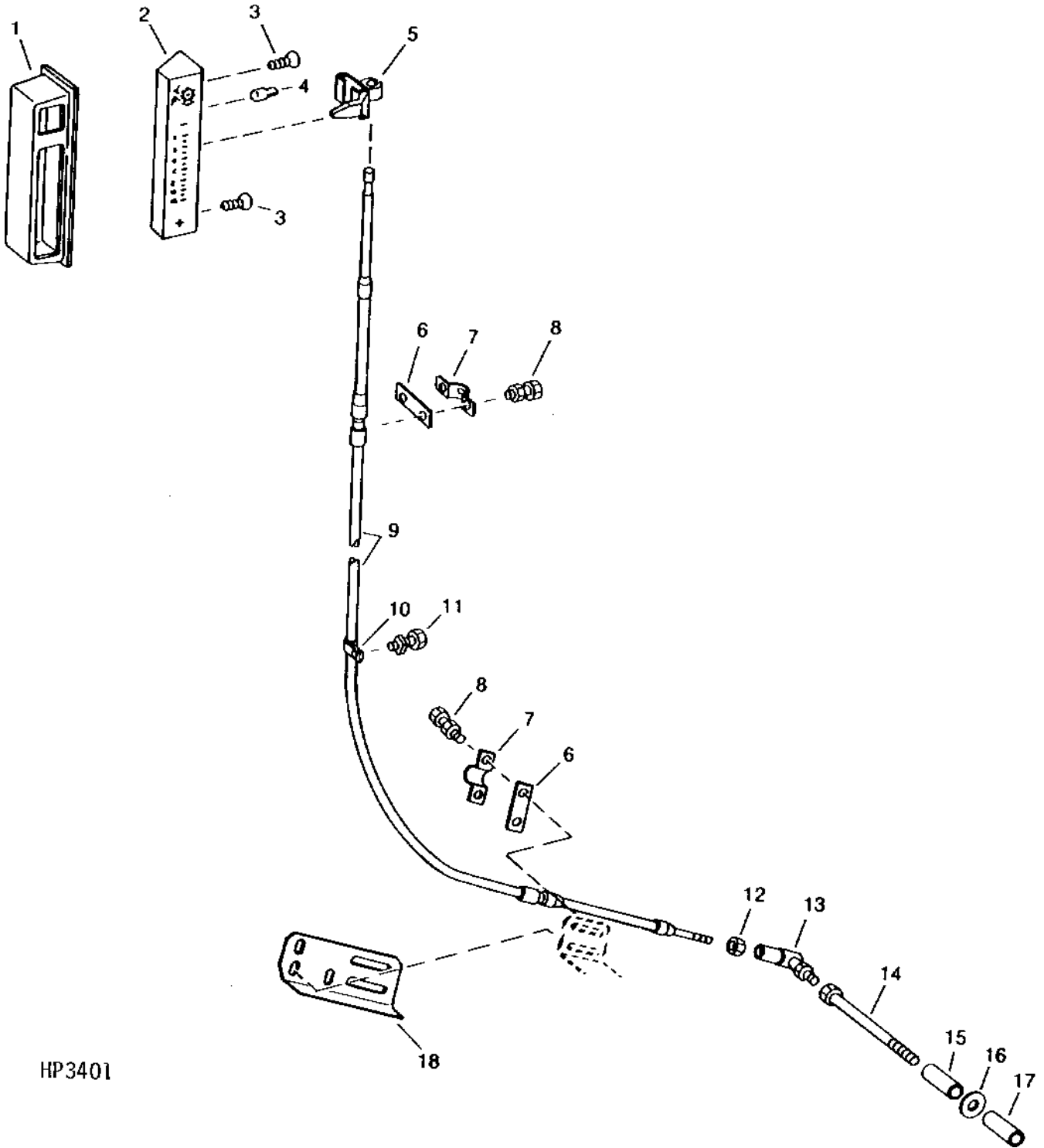
SPIKE TOOTH INDICATOR - CONTINUED

KEY	PART NO.	PART NAME	QTY	SERIAL NO.	REMARKS
1	H156936	BRACKET	1		
2	R41076	GROMMET	1		
3	R111692	SHAFT	1		
4	R26871	SNAP RING	1		
5	R112679	SEAL	1		
6	R40915	LEVER	1		
7	R34404	O-RING	2		
8	R86457	SUPPORT	1		
9	RE56165	SENSOR	1		
10	37M7084	SCREW	2		M8 X 25
11	21M7261	SCREW	2		M5 X 45
12	14M7297	NUT	2		
13	AH150499	BALL JOINT	1		

4C1

CONCAVE INDICATOR, CABLE AND BRACKETS

HP3401 -UN-01JAN94



HP3401

4C2

THRESHING AND SEPARATION

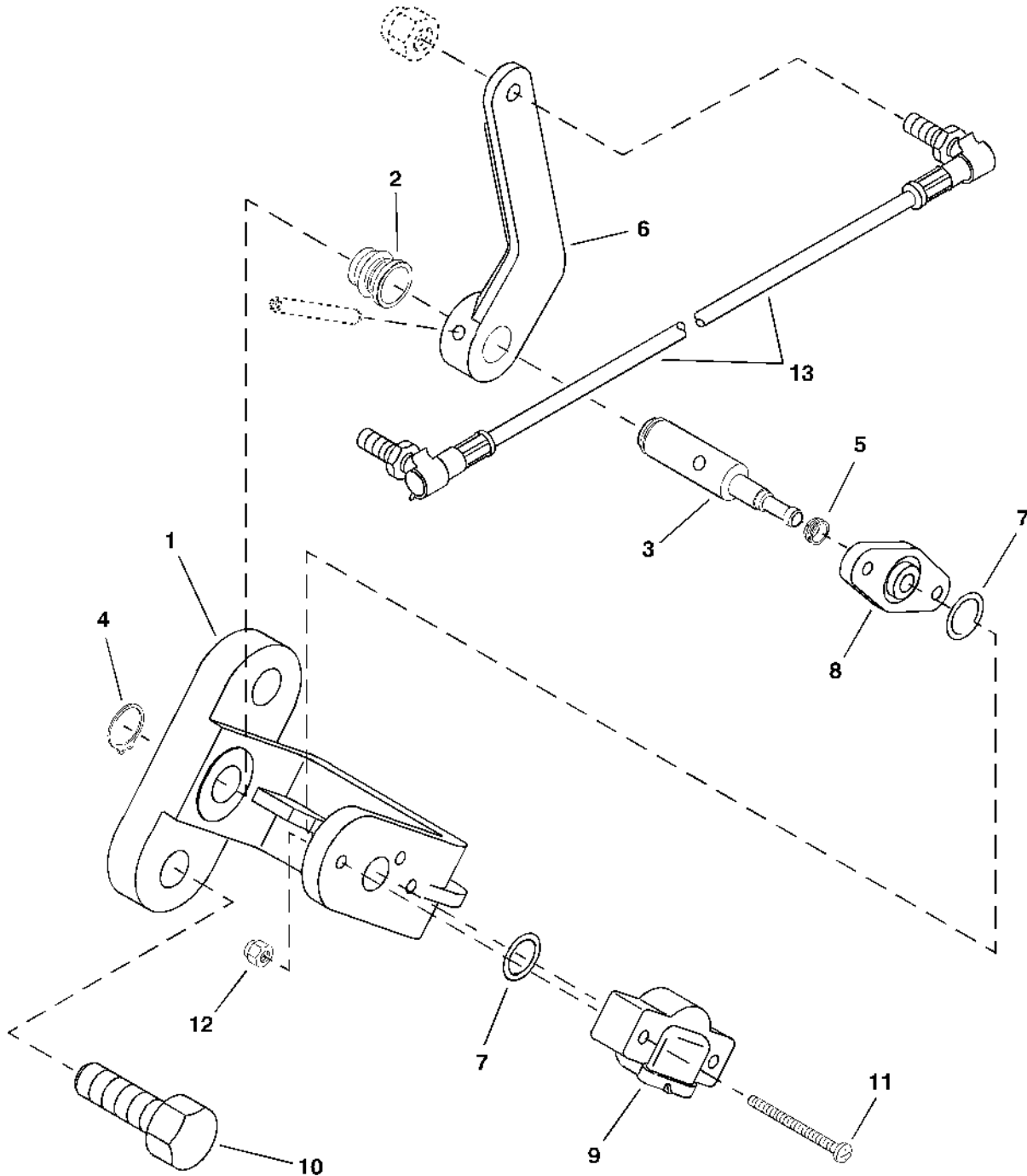
CONCAVE INDICATOR, CABLE AND BRACKETS - CONTINUED

KEY	PART NO.	PART NAME	QTY	SERIAL NO.	REMARKS
1	H128999	HOUSING	1		
2	AH141030	LENS	1		
3	H118166	SCREW	2		
4	AH114882	BULB	1		
5	H129179	GAUGE	1		
6	H120801	STRAP	2	-675407	
7	H120800	CLAMP	2	-675407	
8	03M7166	BOLT	4		M5 X 16
	14M7297	NUT	4	-675407	M5
9	AH124573	CABLE	1	-675407	
10	M47566	CLIP	1		
11	19M7862	SCREW	1		M6 X 20
	14M7162	NUT	1		M6
12	14M7297	NUT	1		M5
13	AH129272	BALL JOINT	1		
14	H132541	SCREW	1		
15	28H2618	BUSHING	1		
	28H1597	WASHER	1		0.546" X 0.840" X 3/8" (SPIKE TOOTH ONLY)
16	24H1347	WASHER	1		17/32" X 2" X 0.194"
17	28H950	BUSHING	1		
	28H1601	BUSHING	1		(SPIKE TOOTH ONLY)
18	H132540	BRACKET	1		(SPIKE TOOTH ONLY)

4C3

CORN AND SMALL GRAIN CONCAVE INDICATOR

HP6744 -UN-11JUL97



HP6744

4C4

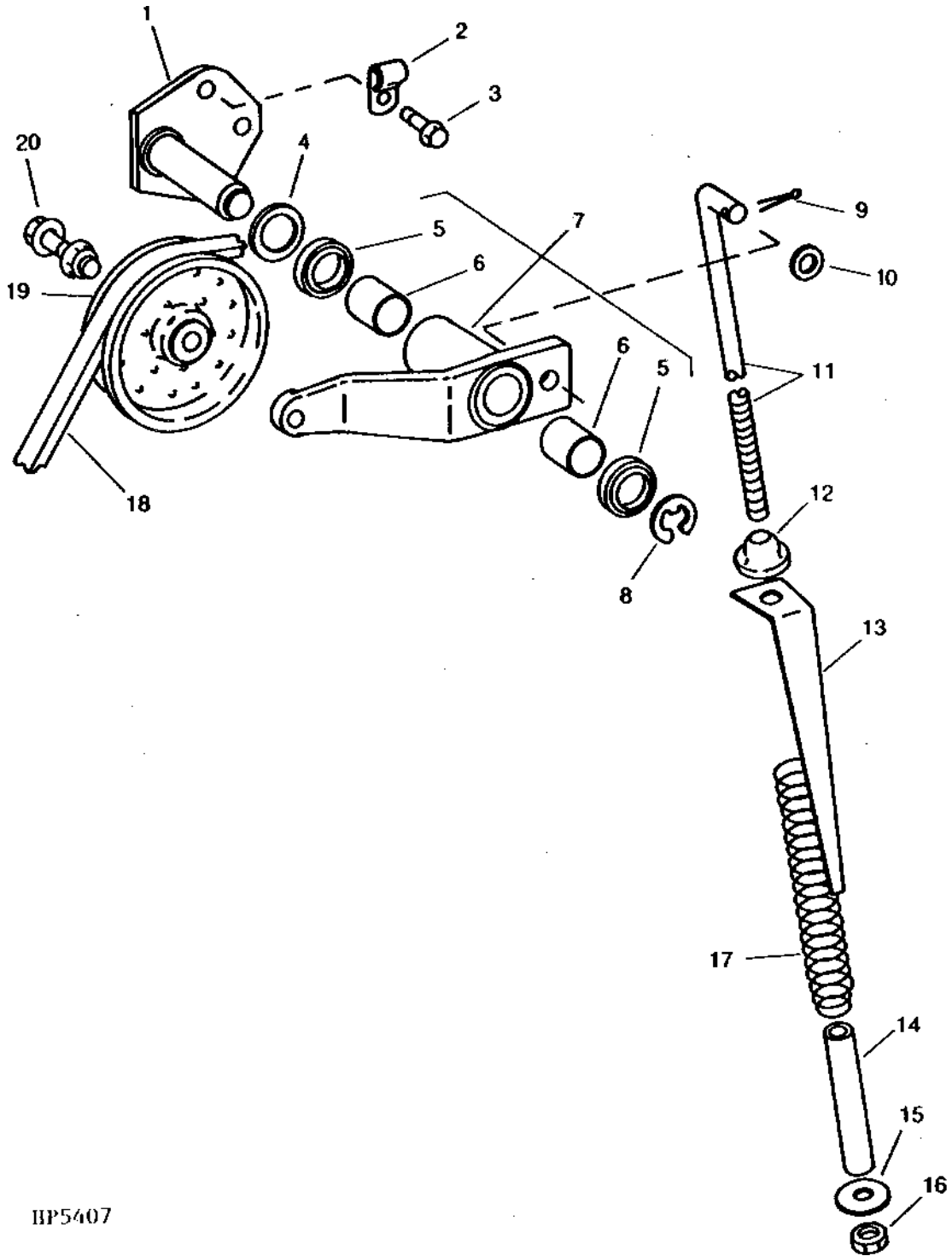
THRESHING AND SEPARATION

CORN AND SMALL GRAIN CONCAVE INDICATOR - CONTINUED

KEY	PART NO.	PART NAME	QTY	SERIAL NO.	REMARKS
1	H156936	BRACKET	1		
2	R41076	GROMMET	1		
3	R111692	SHAFT	1		
4	R26871	SNAP RING	1		
5	R112679	SEAL	1		
6	R40915	LEVER	1		
7	R34404	O-RING	2		
8	R86457	SUPPORT	1		
9	RE56165	SENSOR	1		
10	37M7084	SCREW	2		M8 X 25
11	21M7261	SCREW	2		M5 X 45
12	14M7297	NUT	2		M5
13	AH150498	BALL JOINT	1		

4C5

STRIPPER BEATER DRIVE IDLER HP5407 -UN-01JAN94



HP5407

4C6

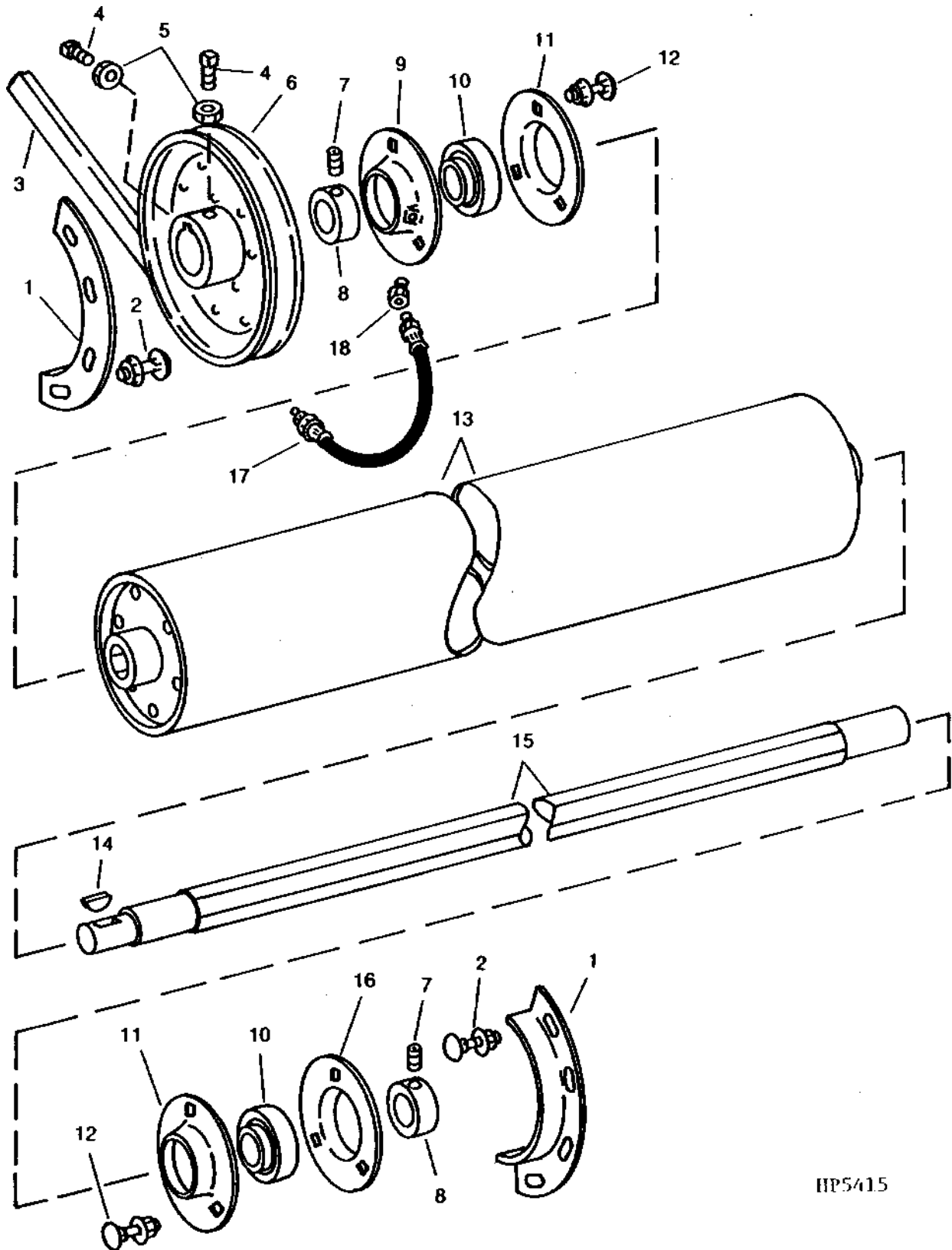
THRESHING AND SEPARATION

STRIPPER BEATER DRIVE IDLER - CONTINUED

KEY	PART NO.	PART NAME	QTY	SERIAL NO.	REMARKS
1	AH109197	PIN	1		
2	AH89557	CLIP	1		
3	19M7784	SCREW	3		M10 X 20
4	24M7091	WASHER	1		26 X 44 X 4 MM
5	AA5607R	SEAL	2		
6	H99147	BUSHING	2		(SUB H171061)
	H171061	BEARING	2		
7	AH134778	ARM	1		
8	P46402	SNAP RING	1		
9	11H211	COTTER PIN	1		1/8" X 3/4"
10	24M7047	WASHER	1		13 X 24 X 2.500 MM
11	H140159	HOOK BOLT	1		
12	H129207	PIVOT	1		
13	H135512	GAUGE	1		
14	TY22326	BULK HOSE	1		
15	24M7180	WASHER	1		13 X 37 X 3 MM
16	14M7275	NUT	2		M12
17	N165696	SPRING	1		
18	H139963	BELT	1		
19	AH93171	IDLER	1		
20	19M8306	SCREW	1		M12 X 50
	14M7299	FLANGE NUT	1		M12

4C7

STRIPPER BEATER
HP5415 -UN-01JAN94



HP5415

4C8

THRESHING AND SEPARATION

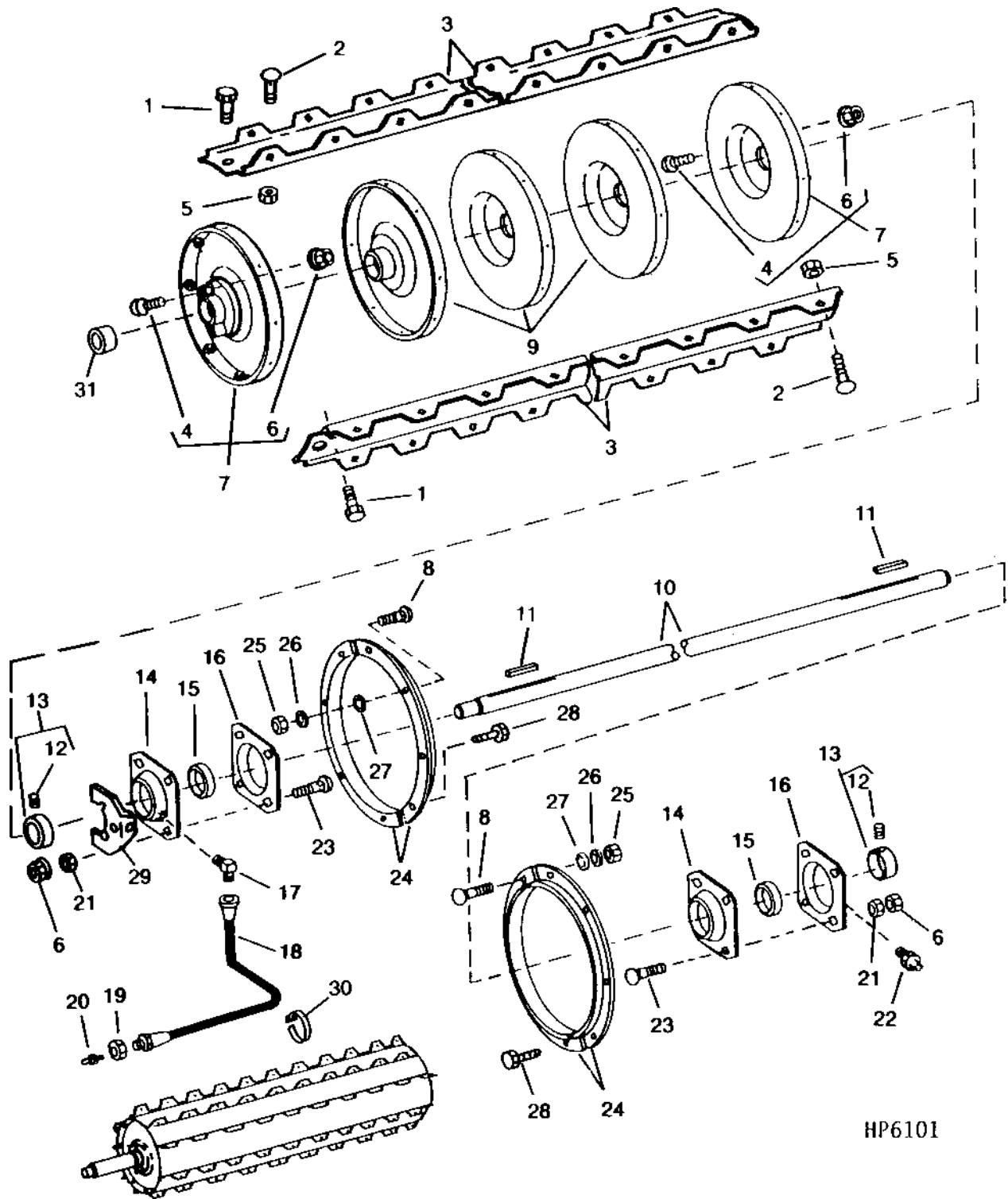
STRIPPER BEATER - CONTINUED

KEY	PART NO.	PART NAME	QTY	SERIAL NO.	REMARKS
1	H140156	SEAL	2		
2	03M7184	BOLT	8	M8 X 20	
	14M7298	FLANGE NUT	8	M8	
3	H139963	BELT	1		
4	H138435	SET SCREW	2		
5	14M7274	NUT	2	M10	
6	AH130964	SHEAVE	1	(1" ID X 6.5" OD)	
7	22M7080	SET SCREW	2	M8 X 8	
8	AZ10045	ECCENTRIC LOCKING COLLAR	2		
9	H93864	PRESSED FLANGED HOUSING	1		
10	JD10285	BEARING CONE	2		
11	E76584	PRESSED FLANGED HOUSING	2		
12	03M7191	BOLT	6	M10 X 25	
	14M7296	FLANGE NUT	6	M10	
13	AH135063	TUBE	1		
14	26H22	SHAFT KEY	1	1/4" X 1"	
15	H140470	SHAFT	1		
16	AE46699	PRESSED FLANGED HOUSING	1		
17	AH142000	HOSE	1	1/8" X 686 MM (27") X 1/8"	
18	JD7845	ELBOW FITTING	1		

4C9

THRESHING AND SEPARATION

BEATER, SHAFT AND DRIVE BELT
HP6101 -UN-27JUN95



HP6101

4C10

THRESHING AND SEPARATION

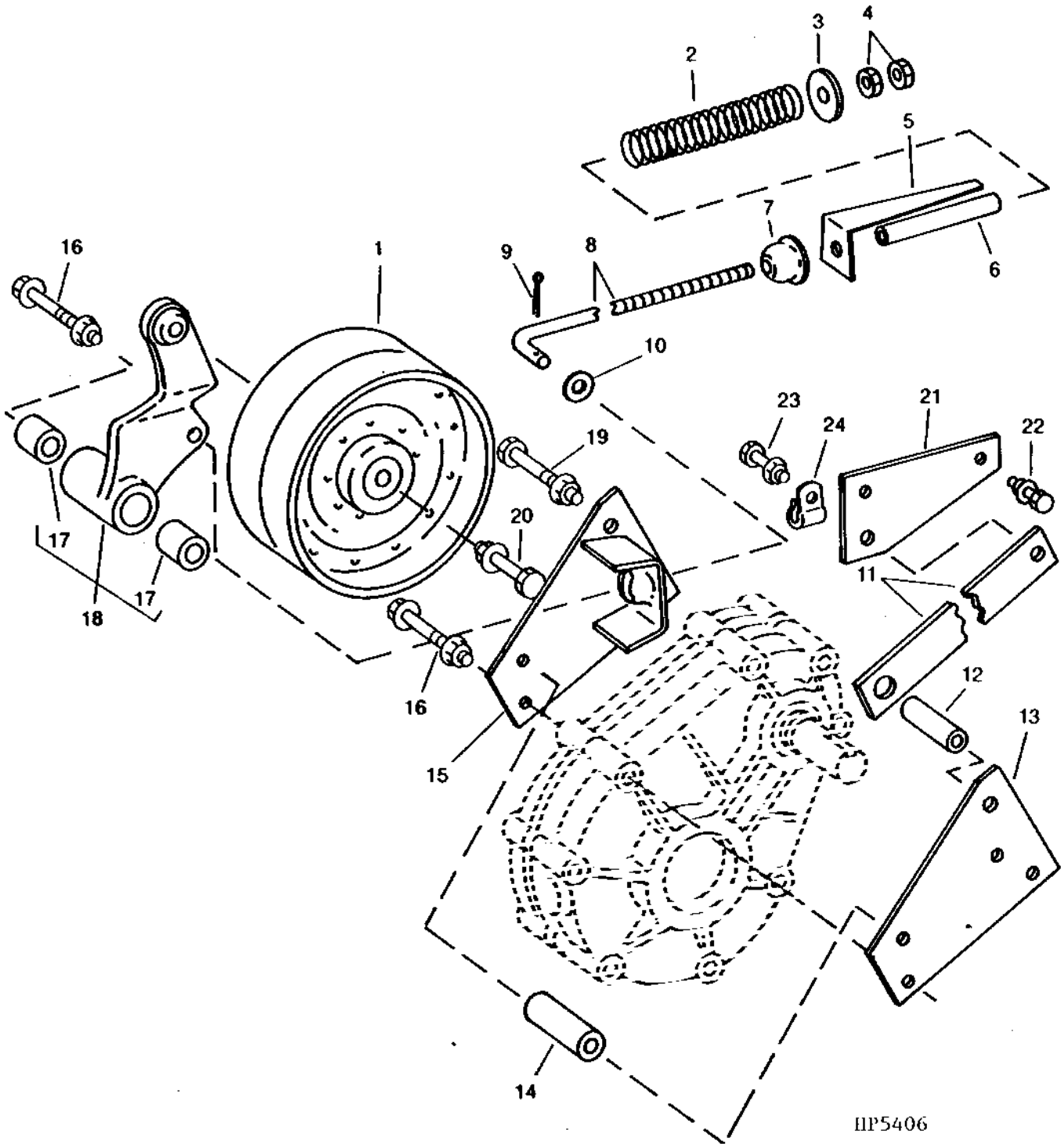
BEATER, SHAFT AND DRIVE BELT - CONTINUED

KEY	PART NO.	PART NAME	QTY	SERIAL NO.	REMARKS
1	19M7784	SCREW	2	M10 X 20	
2	03M7190	BOLT	68	M10 X 20	
3	H154221	TINE	8		
4	03M7201	BOLT	2	M12 X 45	
5	14M7296	FLANGE NUT	68	M10	
6	14M7299	FLANGE NUT	2	M12	
7	AH128360	BEATER HEAD	2		
8	03M7185	BOLT	24	M8 X 25	
9	AH128361	BEATER HEAD	3		
10	H146326	SHAFT	1		
11	49M4121	SHAFT KEY	2		
12	22H979	SET SCREW	1	3/8" X 3/8"	
13	JD9201	ECCENTRIC LOCKING COLLAR	2		
14	H113625	PRESSED FLANGED HOUSING	2		
15	JD9434	BEARING	2		
16	H113626	PRESSED FLANGED HOUSING	2		
17	JD7845	ELBOW FITTING	2	L.H.	
18	AH142001	HOSE	2	1/8" X 1 041 MM (41") X 1/8"	
19	E12379	NUT	2	L.H.	
20	JD7759	LUBRICATION FITTING	2	L.H.	
21	H143731	NUT	8		
22	JD7788	LUBRICATION FITTING	1	R.H.	
23	03M7197	BOLT	8	M12 X 25	
24	H130572	SEAL	4		
25	14M7298	FLANGE NUT	24	M8	
26	12H303	LOCK WASHER	24	5/16"	
27	24M7055	WASHER	16	8.400 X 16 X 1.600 MM	
28	37M7058	SCREW	6	M8 X 20	
29	H140134	BRACKET	1		
30	H140149	HOLD-DOWN CLIP	1		
31	H139922	BUSHING	1		

4C11

THRESHING AND SEPARATION

BEATER DRIVE BELT IDLER
HP5406 -UN-01JAN94



HP5406

4C12

THRESHING AND SEPARATION

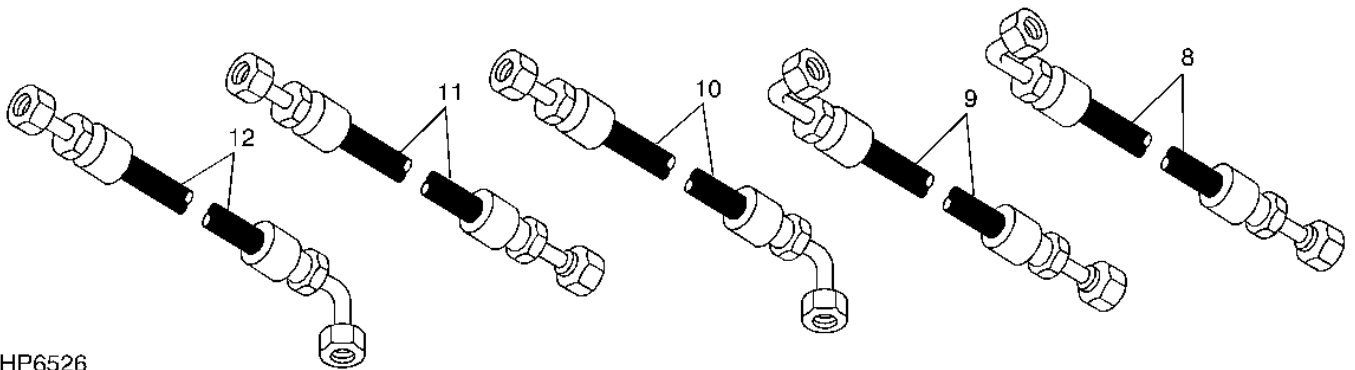
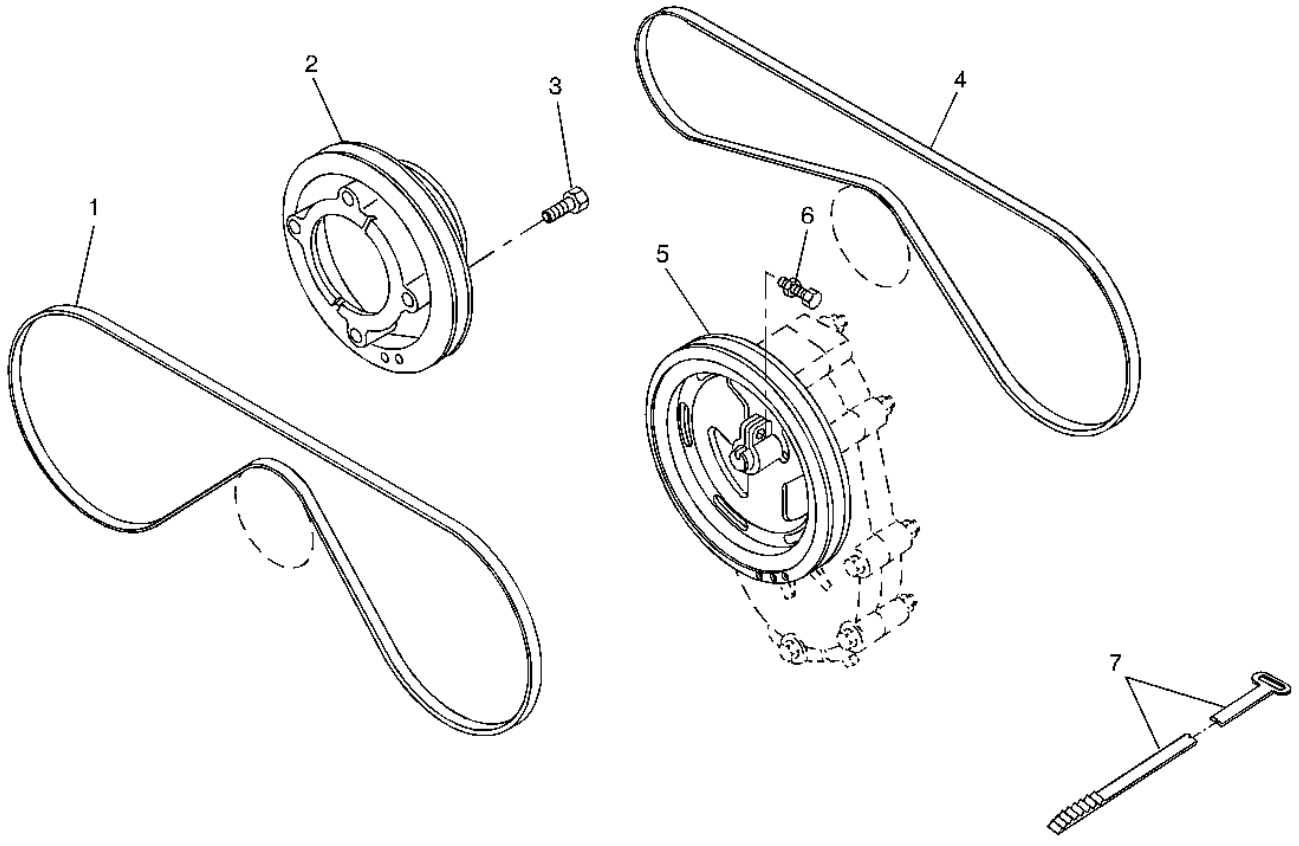
BEATER DRIVE BELT IDLER - CONTINUED

KEY	PART NO.	PART NAME	QTY	SERIAL NO.	REMARKS
1	AH93318	IDLER	1		
2	E73522	COMPRESSION SPRING	1		
3	T20217	WASHER	1		
4	14M7275	NUT	2	M12	
5	H140944	GAUGE	1		
6	TY22326	BULK HOSE	1	300 MM	
7	H129207	PIVOT	1		
8	H118948	HOOK BOLT	1		
9	11M7021	COTTER PIN	1	4 X 25 MM	
10	24M7047	WASHER	1	13 X 24 X 2.500 MM	
11	H145394	ADJUSTING STRAP	1		
12	H147688	SLEEVE	1		
13	H145396	PLATE	1		
14	H139925	BUSHING	1		
15	AH139365	PLATE	1		
16	19M7810	SCREW	3	M10 X 80	
	14M7296	FLANGE NUT	3	M10	
17	H99147	BUSHING	2	(SUB H171061)	
	H171061	BEARING	2		
18	AH134630	ARM	1		
19	19M7818	SCREW	1	M12 X 80	
	14M7299	FLANGE NUT	1	M12	
20	19M7817	SCREW	1	M12 X 70	
	14M7299	FLANGE NUT	1	M12	
21	H145395	PLATE	1		
22	19M8162	CAP SCREW	2	M10 X 40	
	14M7296	FLANGE NUT	2	M10	
23	19M7786	SCREW	1	M10 X 30	
	14M7296	FLANGE NUT	1	M10	
24	AH90990	CLIP	1		

4C13

THRESHING AND SEPARATION

DUAL SPEED BEATER DRIVE CONVERSION (OPTIONAL) 770/400 RPM
HP6526 -UN-18JUL96



HP6526

4C14

THRESHING AND SEPARATION

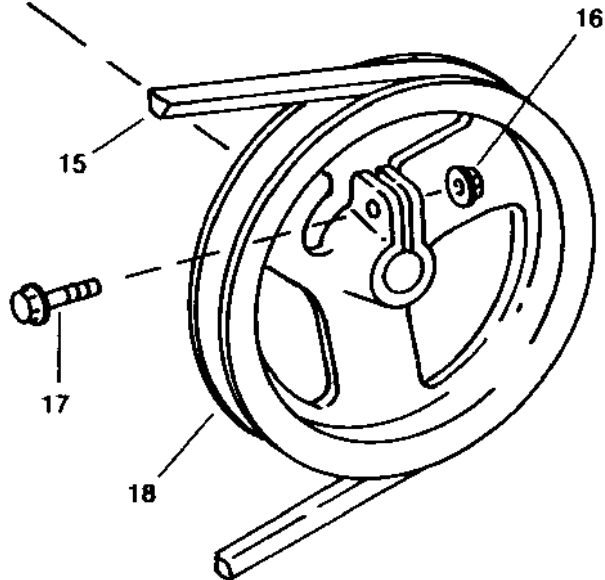
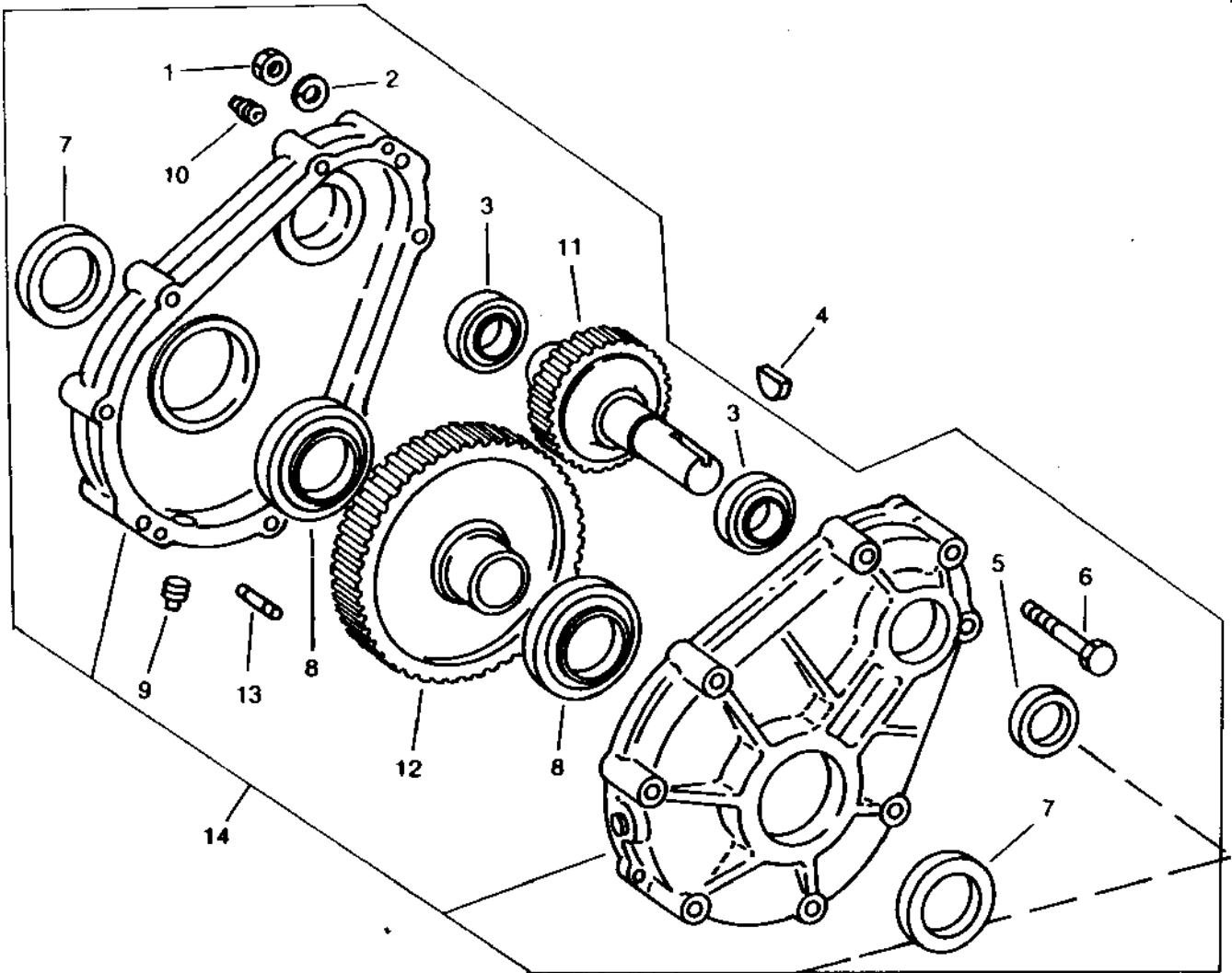
DUAL SPEED BEATER DRIVE CONVERSION (OPTIONAL) - CONTINUED
700/400 RPM

KEY	PART NO.	PART NAME	QTY	SERIAL NO.	REMARKS
1	N121116	BELT	1		
2	H153953	SHEAVE	1		
3	19M7820	SCREW	4	M12 X 100	
4	E16774	BELT	1		
5	AH147588	SHEAVE	1		
6	19M7805	SCREW	1	M10 X 45	
	14M7296	FLANGE NUT	1	M10	
7	H77698	TIE BAND	10		
8	AH147654	HYDRAULIC HOSE	1		
9	AH147653	HYDRAULIC HOSE	1		
10	AH147652	HYDRAULIC HOSE	1		
11	AH147651	HYDRAULIC HOSE	1		
12	AH147650	HYDRAULIC HOSE	1		

4C15

THRESHING AND SEPARATION

BEATER GEARCASE AND SHEAVE
HP5405 -UN-01JAN94



HP5405

4C16

THRESHING AND SEPARATION

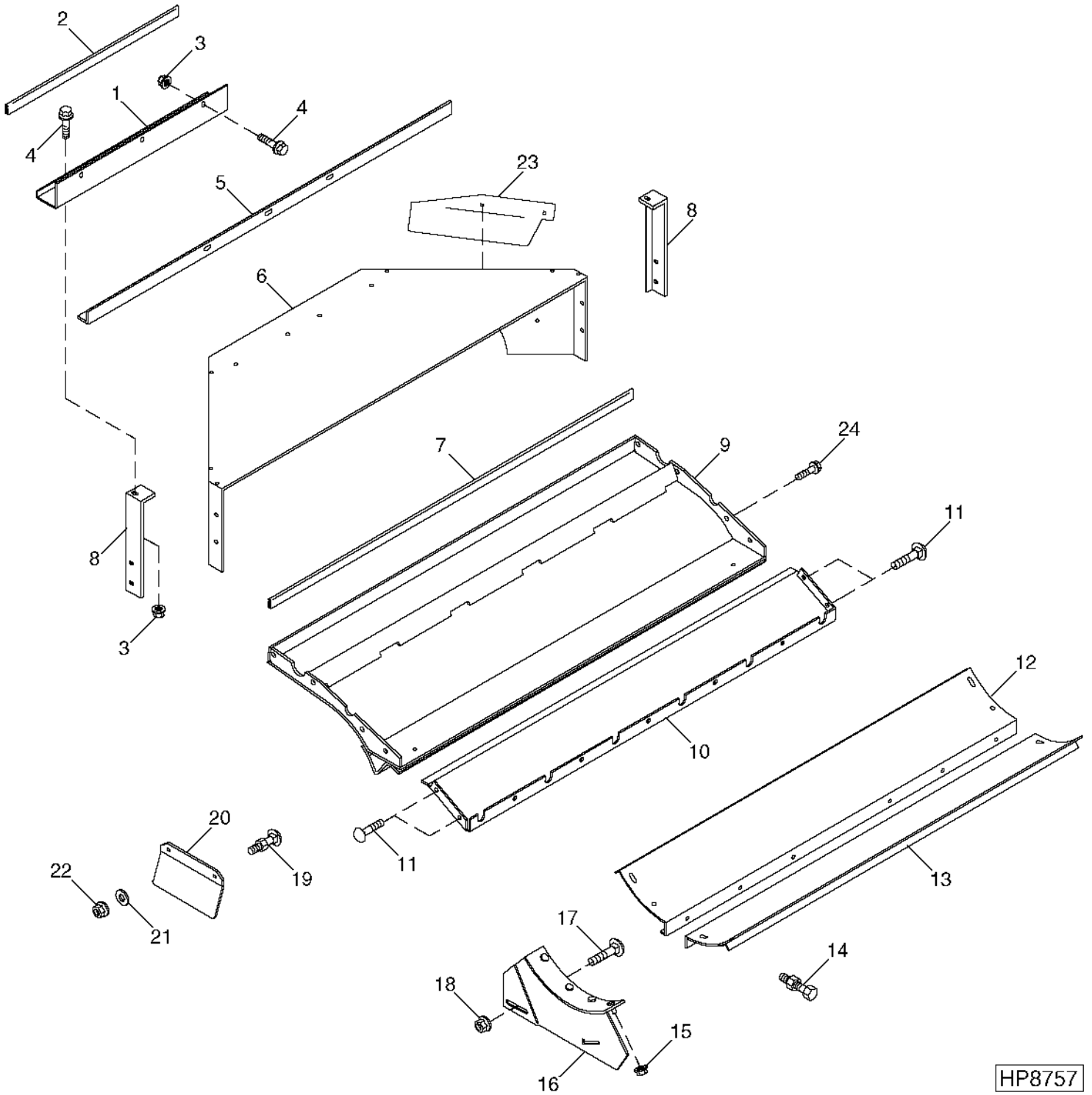
BEATER GEARCASE AND SHEAVE - CONTINUED

KEY	PART NO.	PART NAME	QTY	SERIAL NO.	REMARKS
1	14M7274	NUT	8	M10	
2	12M7066	LOCK WASHER	8	10.200 MM	
3	JD7681	BALL BEARING	2		
4	26M4228	SHAFT KEY	1	8 X 28 MM (0.315" X 1.102")	
5	DE17852	SEAL	1		
6	19M7875	CAP SCREW	8	M10 X 70	
7	DE17853	SEAL	2		
8	DE17851	BALL BEARING	2		
9	15H255	PIPE PLUG	2		
10	15H253	PIPE PLUG	1		
11	GEAR	1	30 TOOTH, WITH GEARCASE ONLY	
12	GEAR	1	54 TOOTH, WITH GEARCASE ONLY	
13	44M7086	DOWEL PIN	2		
14	AH140944	GEAR CASE	1	COMPLETE	
15	H143700	BELT	1		
16	14M7296	FLANGE NUT	2	M10	
17	19M7805	SCREW	2	M10 X 45	
18	AH141052	PULLEY	1		

4C17

THRESHING AND SEPARATION

BEATER COVER
HP8757 -UN-29JUL99



HP8757

4C18

THRESHING AND SEPARATION

BEATER COVER - CONTINUED

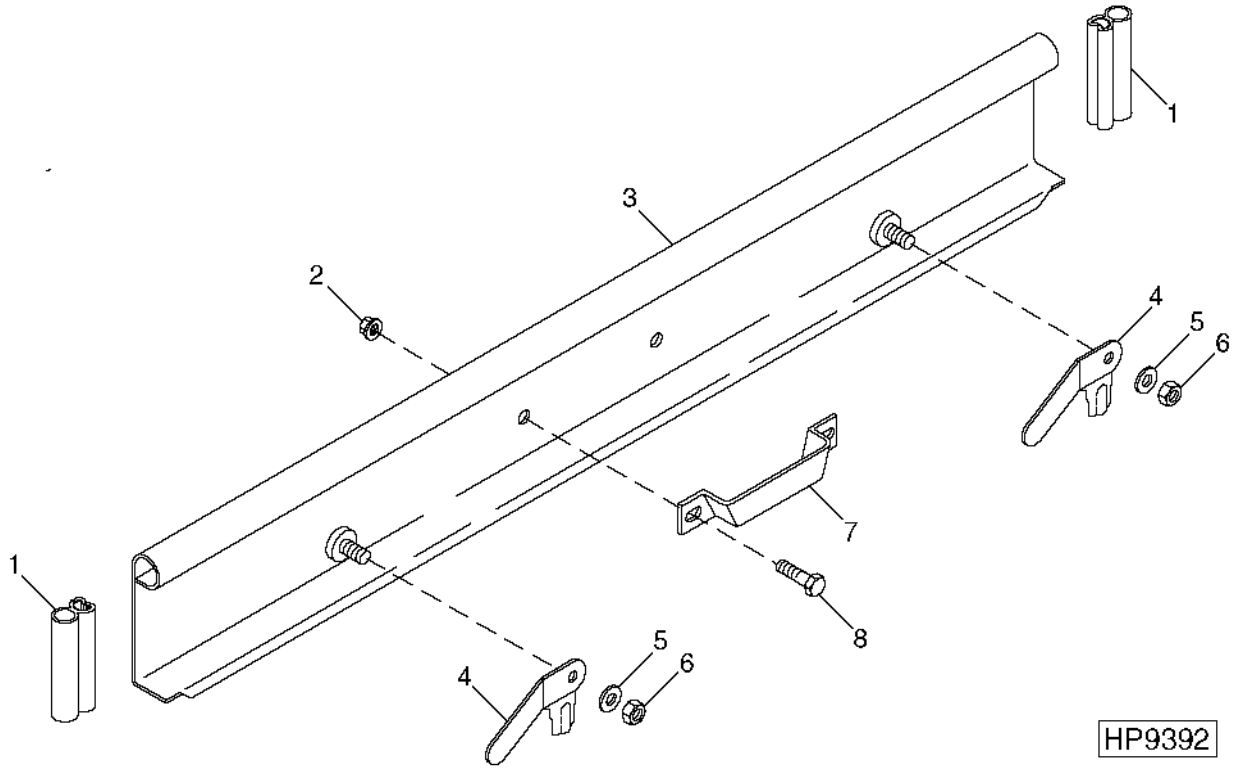
KEY	PART NO.	PART NAME	QTY	SERIAL NO.	REMARKS
1	H143586	CHANNEL	1		
2	AH131965	ISOLATOR	1		
3	14M7296	FLANGE NUT	5	M10	
4	19M7784	SCREW	5	M10 X 20	
5	H143495	ANGLE	1		
6	AH137419	COVER	1		
7	AH140044	ISOLATOR	1		
8	H145819	SUPPORT	2		
9	AH139683	COVER	1		
10	AH134774	COVER	1		
11	37M7058	SCREW	2	M8 X 20	
12	H146695	COVER	1		
13	AH140576	COVER	1		
14	19M7868	SCREW	AR	M8 X 30	
15	14M7298	FLANGE NUT	AR	M8	
16	AH140578	BRACKET	1	R.H.	
	AH140579	BRACKET	1	L.H.	
17	03M7185	BOLT	AR	M8 X 25	
18	14M7298	FLANGE NUT	AR	M8	
19	03M7251	BOLT	6	M6 X 12	
20	H146166	LEAF SPRING	1		
21	24H1288	WASHER	6	9/32" X 1" X 1/16"	
22	14M7303	FLANGE NUT	6	M6	
23	H146023	LEAF SPRING	1	R.H.	
	H146022	LEAF SPRING	1	L.H.	
24	H145773	SELF-LOCKING SCREW	5	(3 ON L.H. SIDE; 2 ON R.H. SIDE)	

4C19

THRESHING AND SEPARATION

SHOE GRAIN SUPPLY AUGER CLEANOUT DOOR, HANDLE AND LATCHES

HP9392 -UN-06DEC99



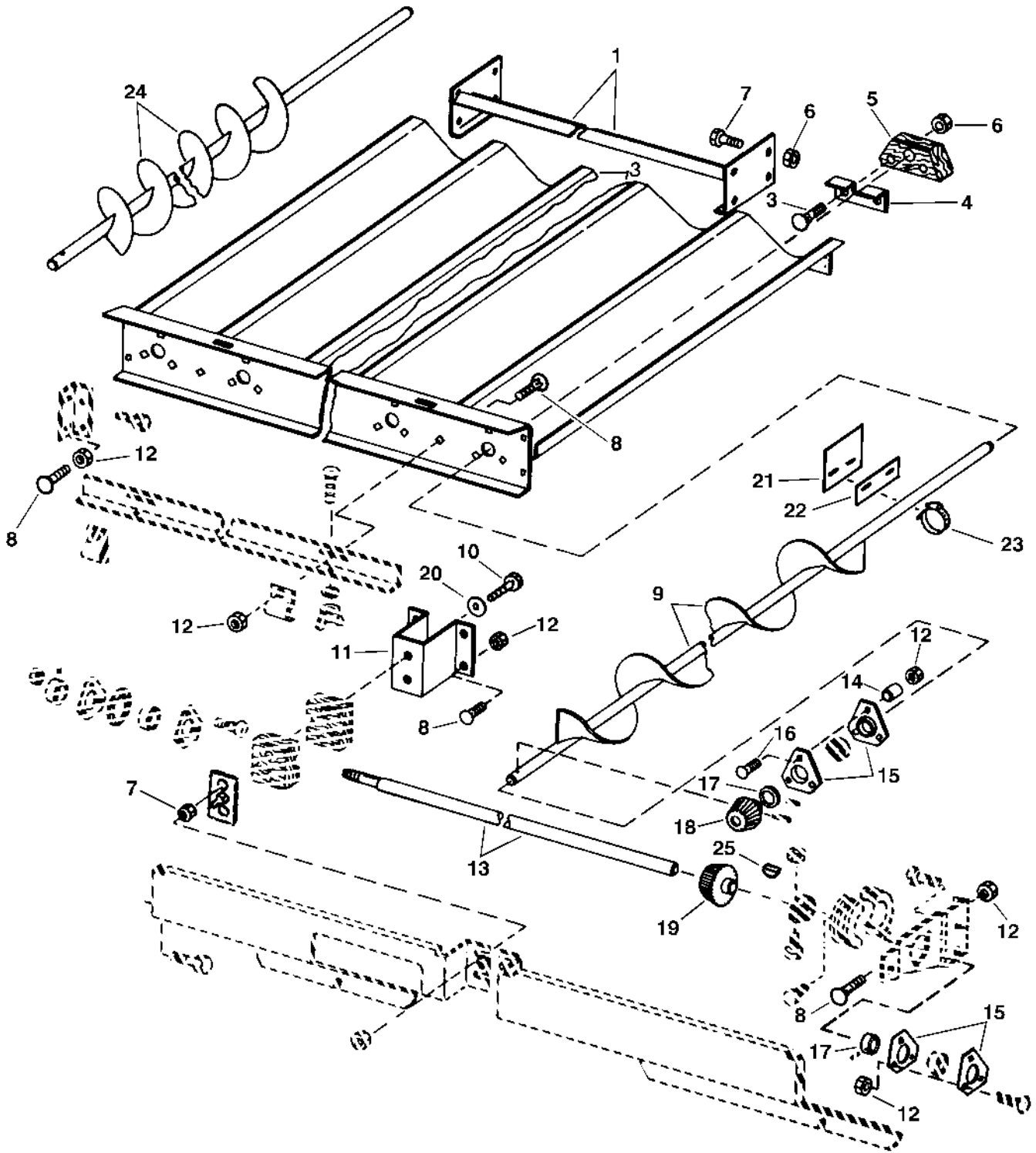
KEY	PART NO.	PART NAME	QTY	SERIAL NO.	REMARKS
1	H131108	ISOLATOR	2		
2	14M7298	FLANGE NUT	2	M8	
3	AH126119	DOOR	1	(SUB AH160486)	
	AH160486	DOOR	1		
4	H127532	HANDLE	2		
5	24M7207	WASHER	2	8.400 X 24 X 2 MM	
6	14M7396	LOCK NUT	2	M8	
7	H85184	HANDLE	1		
8	19M7865	SCREW	2	M8 X 16	

MEMORANDA

4C20

THRESHING AND SEPARATION

SHOE GRAIN SUPPLY AUGERS AND HOUSING
HP7181 -UN-09OCT97



HP7181

4C21

THRESHING AND SEPARATION

SHOE GRAIN SUPPLY AUGERS AND HOUSING - CONTINUED

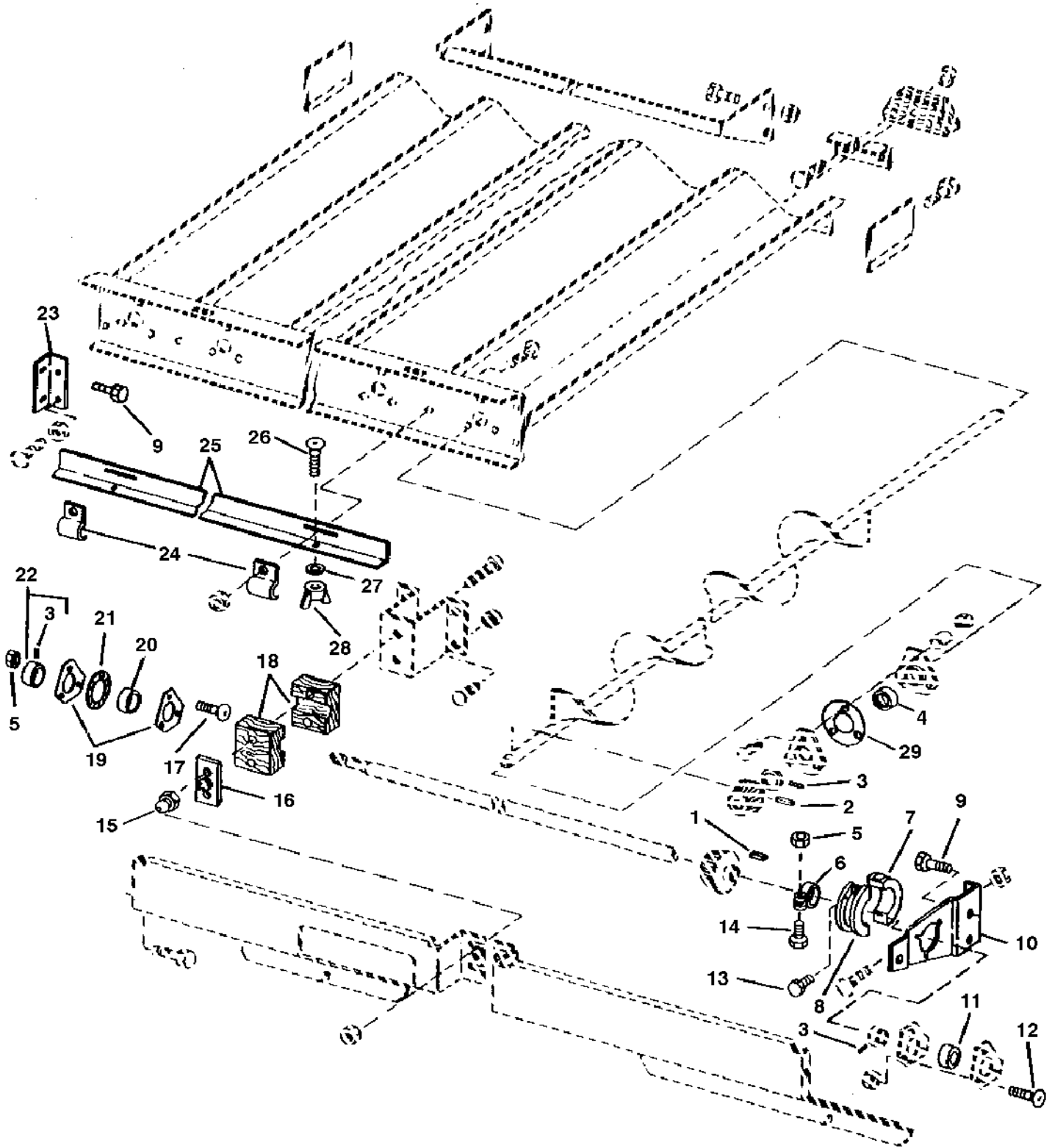
KEY	PART NO.	PART NAME	QTY	SERIAL NO.	REMARKS
1	AH141647	SUPPORT	1		
2	AH146655	TROUGH	1		
3	03M7267	BOLT	AR	M8 X 80	
4	H142189	STRIPPER	AR		
5	H142188	BEARING	AR		ADD GREASE TO BLOCK BEFORE ASSEMBLY
	AH139342	BEARING KIT	1		EXTENSIVE WEAR KIT (7 AUGER BEARINGS)
6	14M7396	LOCK NUT	17	M8	
7	19M7867	SCREW	4	M8 X 25	
8	03M7183	BOLT	AR	M8 X 16	
9	AH130425	AUGER	2		L.H. FLIGHTING
10	19M8039	SCREW	2	M8 X 80	
11	H91205	BRACKET	1		
12	14M7298	FLANGE NUT	25	M8	
13	H135422	DRIVE SHAFT	1		
14	28H1720	BUSHING	AR		
15	H103264	PRESSED FLANGED HOUSING	14		
16	03M7189	BOLT	AR	M8 X 45	
17	JD8554	ECCENTRIC LOCKING COLLAR	7		
18	H137215	GEAR	6		
19	H137215	GEAR	1		
20	24H1292	WASHER	2	11/32" X 3/4" X 0.120"	
21	H147656	SLAT	2		ON TWO CENTER AUGERS, 180 DEGREES APART
22	H147657	STRAP	2		ON TWO CENTER AUGERS
23	TY22467	CLAMP	4		
24	AH130424	AUGER	2		R.H. FLIGHTING
25	26M4226	SHAFT KEY	1	5 X 19 MM	
..	TY6333	GREASE	1		

AUGER ARRANGEMENT FROM L.H. TO R.H. IS AH130425, AH130425, AH130424, AH130425, AH130424 AND AH130424.

4C22

THRESHING AND SEPARATION

SHOE GRAIN SUPPLY AUGERS AND HOUSING
HP6888 -UN-12SEP97



HP6888

4C23

THRESHING AND SEPARATION

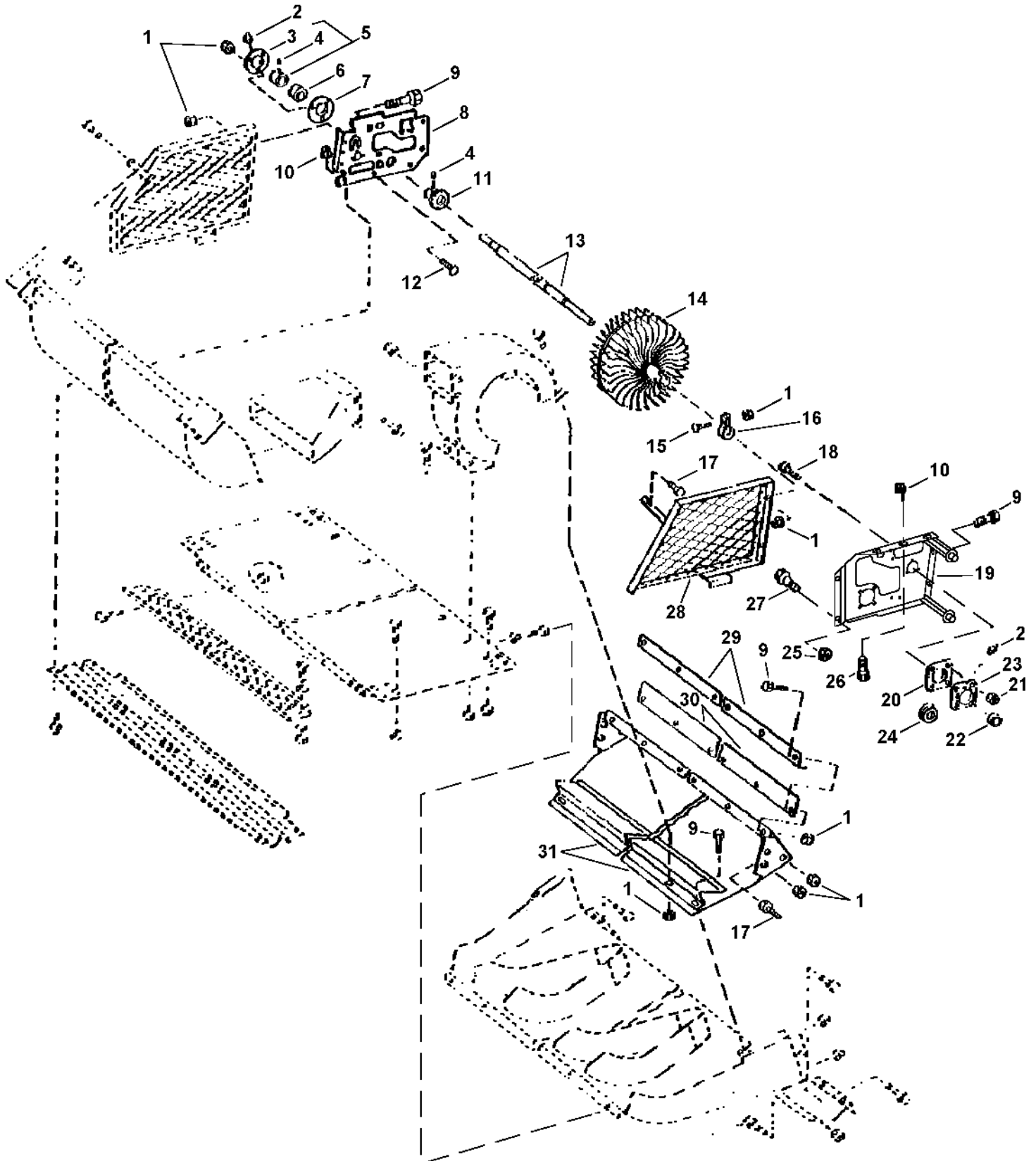
SHOE GRAIN SUPPLY AUGERS AND HOUSING - CONTINUED

KEY	PART NO.	PART NAME	QTY	SERIAL NO.	REMARKS
1	SHAFT KEY	AR		
2	34H119	SPRING PIN	AR		
3	SET SCREW	1		
4	JD9273	BALL BEARING	AR		
5	14M7296	FLANGE NUT	10	M10	
6	H145112	CLAMP	7		
7	H104795	ACTUATOR	1		
8	H104796	ACTUATOR	1		
9	19M7866	SCREW	4	M8 X 20	
10	H127524	BRACKET	1		
11	JD8665	BALL BEARING	1		
12	03M7184	BOLT	3	M8 X 20	
13	H168924	SCREW	1	0.190" X 1"	
14	19M7572	CAP SCREW	AR	M10 X 45	
15	JD7767	LUBRICATION FITTING	1		
16	AH142370	LUBRICATION FITTING	1		
17	03M7191	BOLT	3	M10 X 25	
18	H135475	BEARING	2		
19	E10018	PRESSED FLANGED HOUSING	2		
20	AH129451	BALL BEARING	1		
21	H102533	SHIM	1		
22	AH129452	ECCENTRIC LOCKING COLLAR	1		
23	H127525	ANGLE	1		
24	H94167	CLAMP	2		
25	H134025	SHEET	1		
26	03M7221	BOLT	2	M6 X 16	
27	24M7139	WASHER	2	6.400 X 18 X 1.600 MM	
28	14M7019	WING NUT	2	M6	
29	H36155	SHIM	1	0.762 MM	
..	TY6333	GREASE	1		

4C24

THRESHING AND SEPARATION

CLEANING FANS AND SHROUDS
HP7427 -UN-23FEB98



HP7427

4C25

THRESHING AND SEPARATION

CLEANING FANS AND SHROUDS - CONTINUED

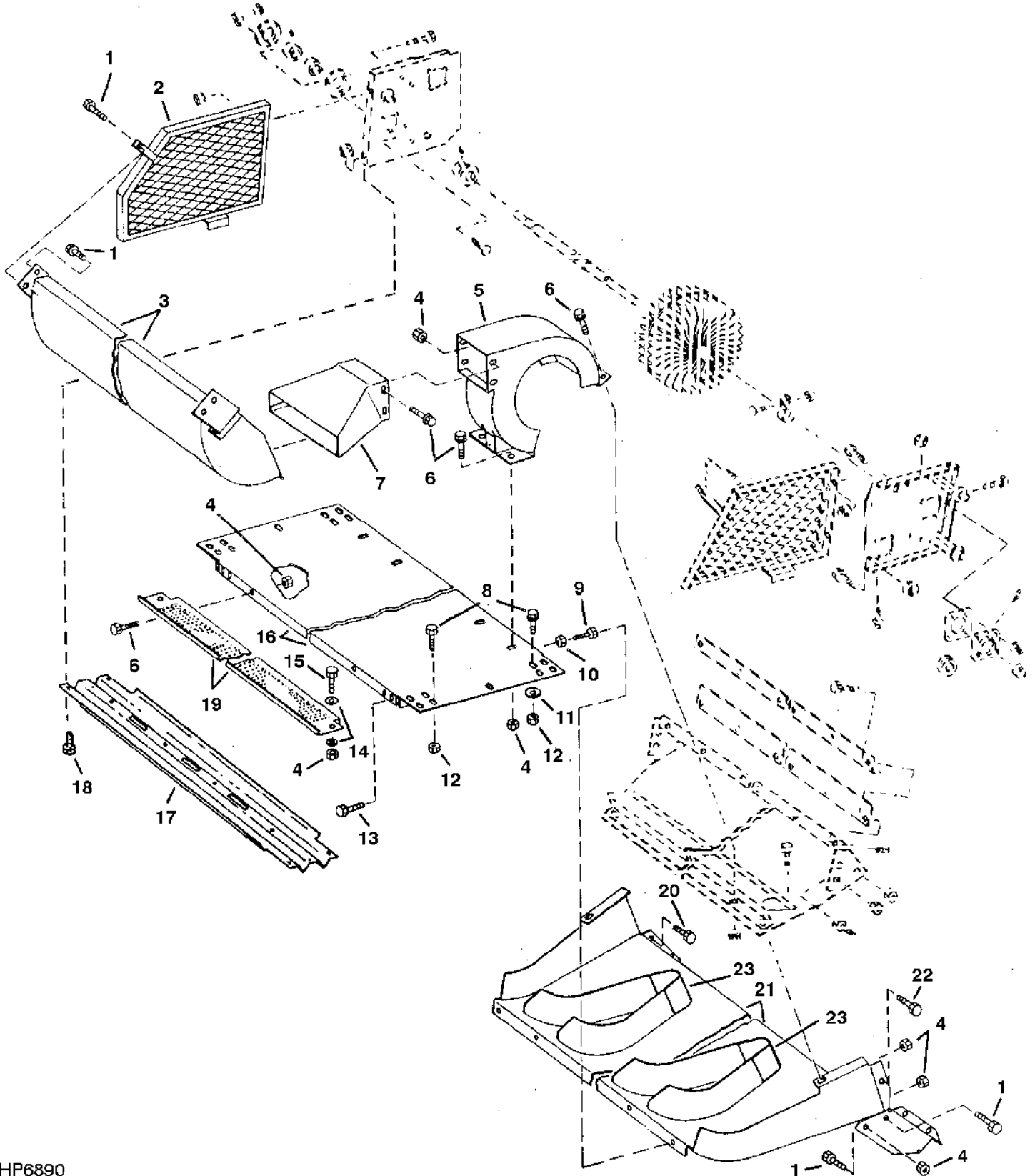
KEY	PART NO.	PART NAME	QTY	SERIAL NO.	REMARKS
1	H137328	LOCK NUT	AR	M8	
2	JD7788	LUBRICATION FITTING	2	450 X 20.574 MM (0.810" LONG)	
3	AE26118	PRESSED FLANGED HOUSING	1		
4	22M7027	SET SCREW	2	M6 X 16	
5	AZ10044	ECCENTRIC LOCKING COLLAR	1		
6	JD9490	BALL BEARING	1		
7	N52258	PRESSED FLANGED HOUSING	1		
8	H150091	BRACKET	1	RIGHT-HAND	
9	19M7865	SCREW	AR	M8 X 16	
10	14M7400	LOCK NUT	4	M10	
11	H122372	WHEEL	2		
12	03M7185	BOLT	3	M8 X 25	
13	H135396	SHAFT	1		
14	H130355	ROTOR	4		
15	03M7189	BOLT	8	M8 X 45	
16	H144467	CLAMP	8		
	H130695	CLAMP	8		
17	19M7867	SCREW	AR	M8 X 25	
18	03M7198	BOLT	4	M12 X 30	
19	H150092	BRACKET	1	(INCLUDES H150092) L.H.	
20	H113625	PRESSED FLANGED HOUSING	1		
21	14M7299	FLANGE NUT	AR	M12	
22	AL14674	ECCENTRIC LOCKING COLLAR	1		
23	H113626	PRESSED FLANGED HOUSING	1		
24	AH139297	BALL BEARING	1		
25	14M7396	LOCK NUT	AR	M8	
26	19M7944	SCREW	4	M10 X 120	
27	19M7803	SCREW	4	M8 X 70	
28	AH130988	SHIELD	4	L.H.	
29	H134308	REINFORCEMENT	1		
30	H133081	SEAL	1		
31	AH128313	AIR DUCT	1		
..	BH80129	COMPLETE GOODS/SHIP. BUNDLE	1	CLEANING FAN SHIELDS	

4D1

THRESHING AND SEPARATION

CLEANING FAN AND SHROUDS

HP6890 -UN-18AUG97



HP6890

4D2

THRESHING AND SEPARATION

CLEANING FANS AND SHROUDS - CONTINUED

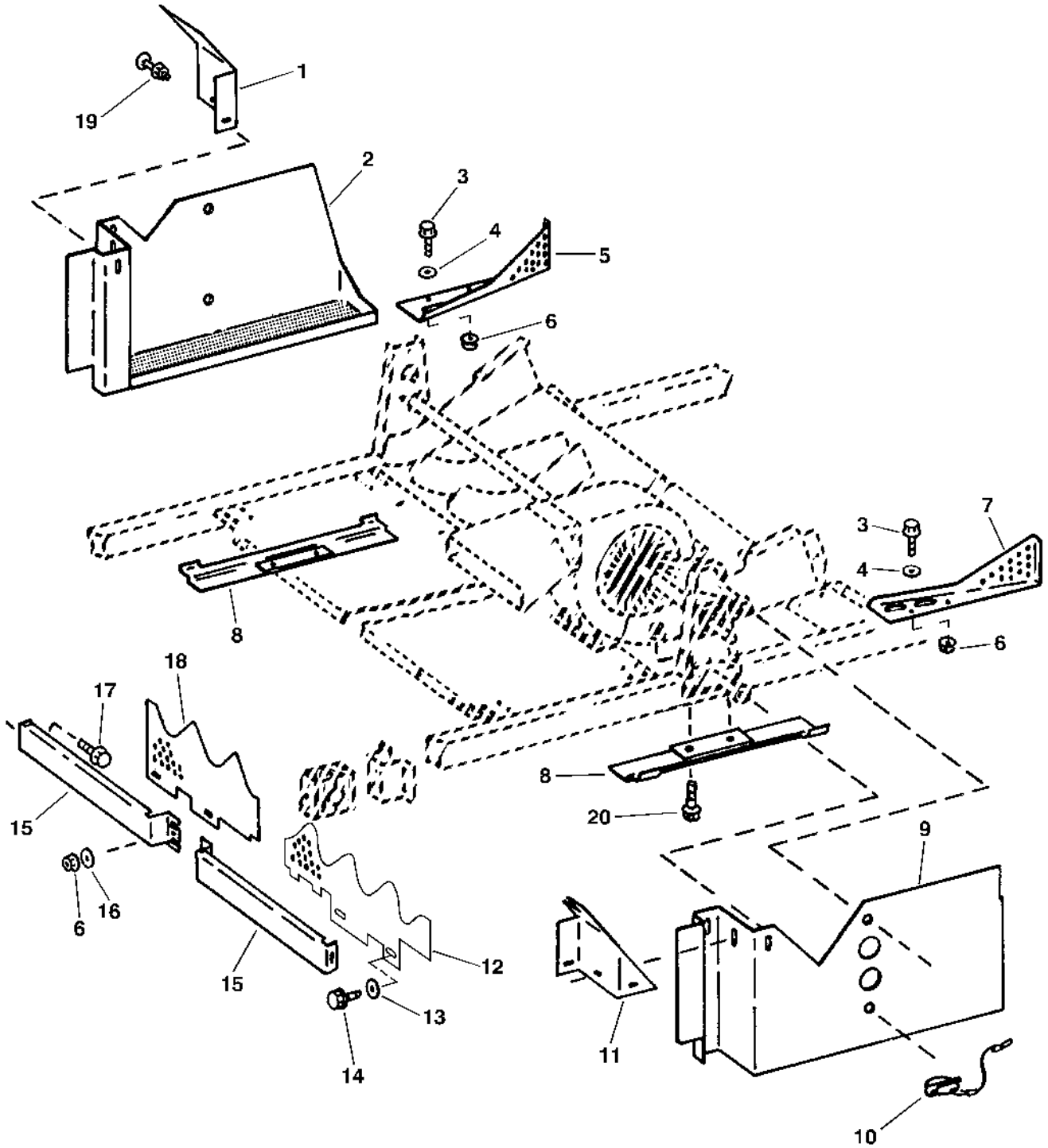
KEY	PART NO.	PART NAME	QTY	SERIAL NO.	REMARKS
1	19M7867	SCREW	AR	M8 X 25	
2	AH127726	SHIELD	1	R.H. (FOR GRAIN ONLY)	
3	AH126214	AIR DUCT	1		
4	14M7298	FLANGE NUT	AR	M8	
5	AH163761	HOUSING	4	(SUB FOR AH125692 AND AH125693)	
6	19M7865	SCREW	AR	M8 X 16	
7	AH163761	HOUSING	4	(SUB FOR AH125693 AND AH125692)	
8	19M7818	SCREW	AR	M12 X 80	
9	19M7866	SCREW	AR	M8 X 20	
10	14M7396	LOCK NUT	AR	M8	
11	28H2611	SPACER	18	13.868 X 21.336 X 50.800MM (0.546" X 0.840" X 2")	
12	14M7299	FLANGE NUT	AR	M12	
13	19M7789	SCREW	4	M12 X 30	
14	24M7207	WASHER	4	8.400 X 24 X 2 MM	
15	19M7868	SCREW	2	M8 X 30	
16	AH149879	SUPPORT	1		
17	H137389	PLATE	1	(RICE)	
	H157282	PLATE	1	(GRAIN ONLY)	
18	19M7898	SCREW	4	M10 X 130	
19	H144558	SHIELD	1	(GRAIN ONLY)	
20	19M8039	SCREW	AR	M8 X 80	
21	AH130477	AIR DUCT	1		
22	19M7800	SCREW	1	M8 X 50	
	19M7867	SCREW	1		
23	AH138384	MOUNTING PARTS	1	CONTAINS THREE COVERS	
..	BH80129	COMPLETE GOODS/SHIP. BUNDLE	1	CLEANING FAN SHIELDS	

4D3

THRESHING AND SEPARATION

CLEANING FAN INTAKE SHIELDS (OPTIONAL)

HP7233 -UN-12JAN98



HP7233

4D4

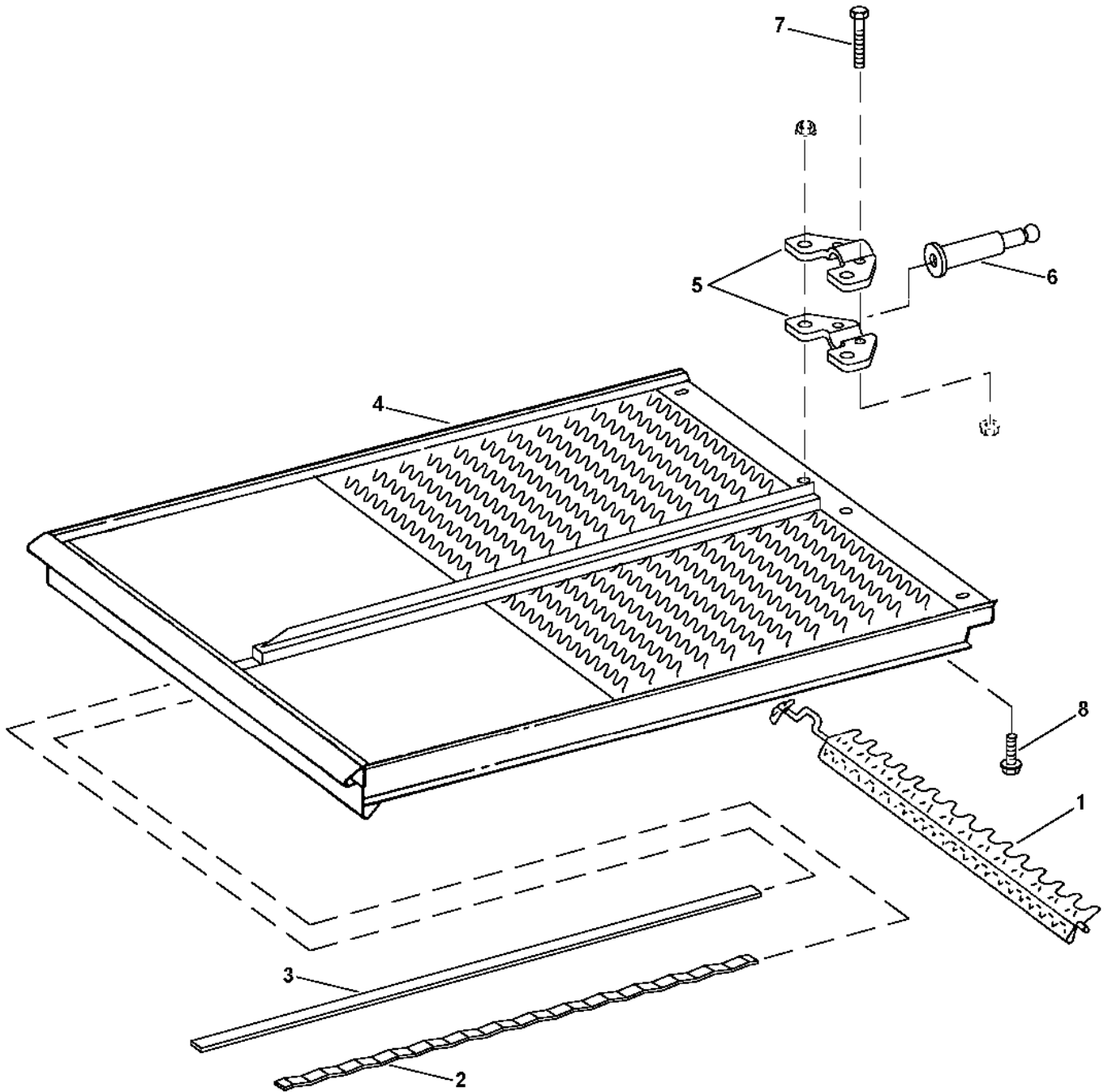
THRESHING AND SEPARATION

CLEANING FAN INTAKE SHIELDS (OPTIONAL) - CONTINUED

KEY	PART NO.	PART NAME	QTY	SERIAL NO.	REMARKS
1	H144556	SHIELD	1	R.H.	
2	AH138374	SHIELD	1	R.H.	
3	19M7801	SCREW	2	M8 X 60	
4	24H1296	WASHER	2		
5	H145950	SHIELD	1	R.H.	
6	14M7298	FLANGE NUT	4	M8	
7	H145949	SHIELD	1	L.H.	
8	AH132356	CLIP	2		
9	AH138375	SHIELD	1	L.H.	
10	AH135290	QUICK LOCK PIN	2		
11	H144557	SHIELD	1	L.H.	
12	H148361	SHIELD	1	LEFT-HAND	
13	24M7178	WASHER	4	10.500 X 30 X 2.500 MM	
14	37M7086	SCREW	4	M10 X 20, SELF-TAPPING	
15	H151897	SHIELD	2		
16	24M7055	WASHER	2	8.400 X 16 X 1.600 MM	
17	19M7866	SCREW	2	M8 X 20, (INTO WELDNUT)	
18	H148362	SHIELD	1	RIGHT-HAND	
19	03M7183	BOLT	6	M8 X 16	
	14M7298	FLANGE NUT	6	M8	
20	19M7898	SCREW	4	M10 X 130	
..	BH79773	COMPLETE GOODS/SHIP. BUNDLE	1	AXLE TRASH SHIELDS	

4D5

PRECLEANING CHAFFER
HP6975 -UN-28OCT97



HP6975

4D6

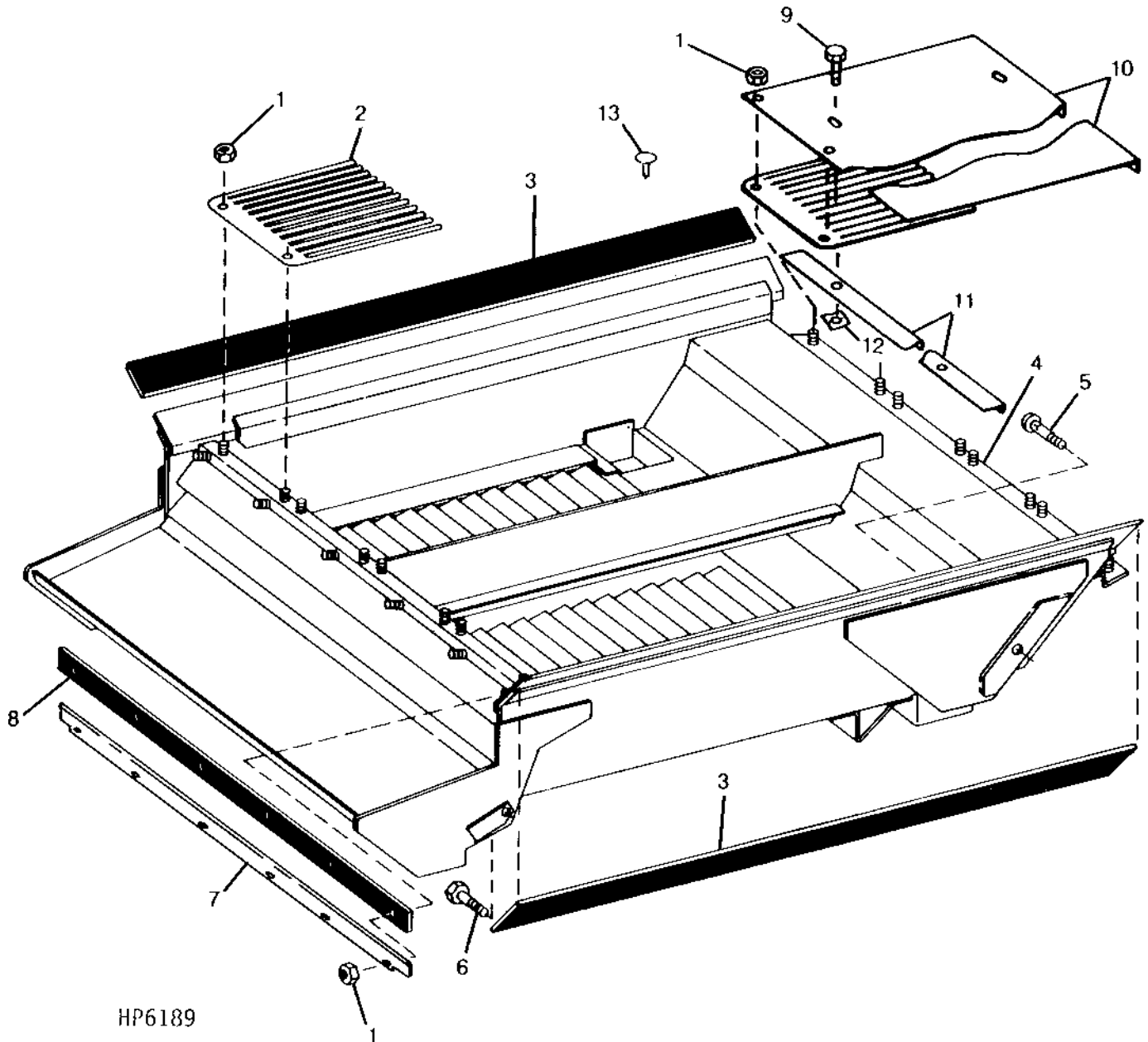
THRESHING AND SEPARATION

PRECLEANING CHAFFER - CONTINUED

KEY	PART NO.	PART NAME	QTY	SERIAL NO.	REMARKS
1	AH130185	LOUVER	26		GENERAL PURPOSE LOUVER
	AH127465	LOUVER	1		SEMI-DEEP TOOTH LOUVER
2	H132291	LEAF SPRING	2		
3	H132288	STRIP	2		
4	AH149547	PRESCREENER	2		
5	H156800	RETAINER	2		
6	H156801	ACTUATOR	1		
7	19M7775	SCREW	2		M6 X 16
8	19M7784	SCREW	2		M10 X 20

4D7

PRECLEANER CHAFFER FRAME
HP6189 -UN-03OCT95



HP6189

4D8

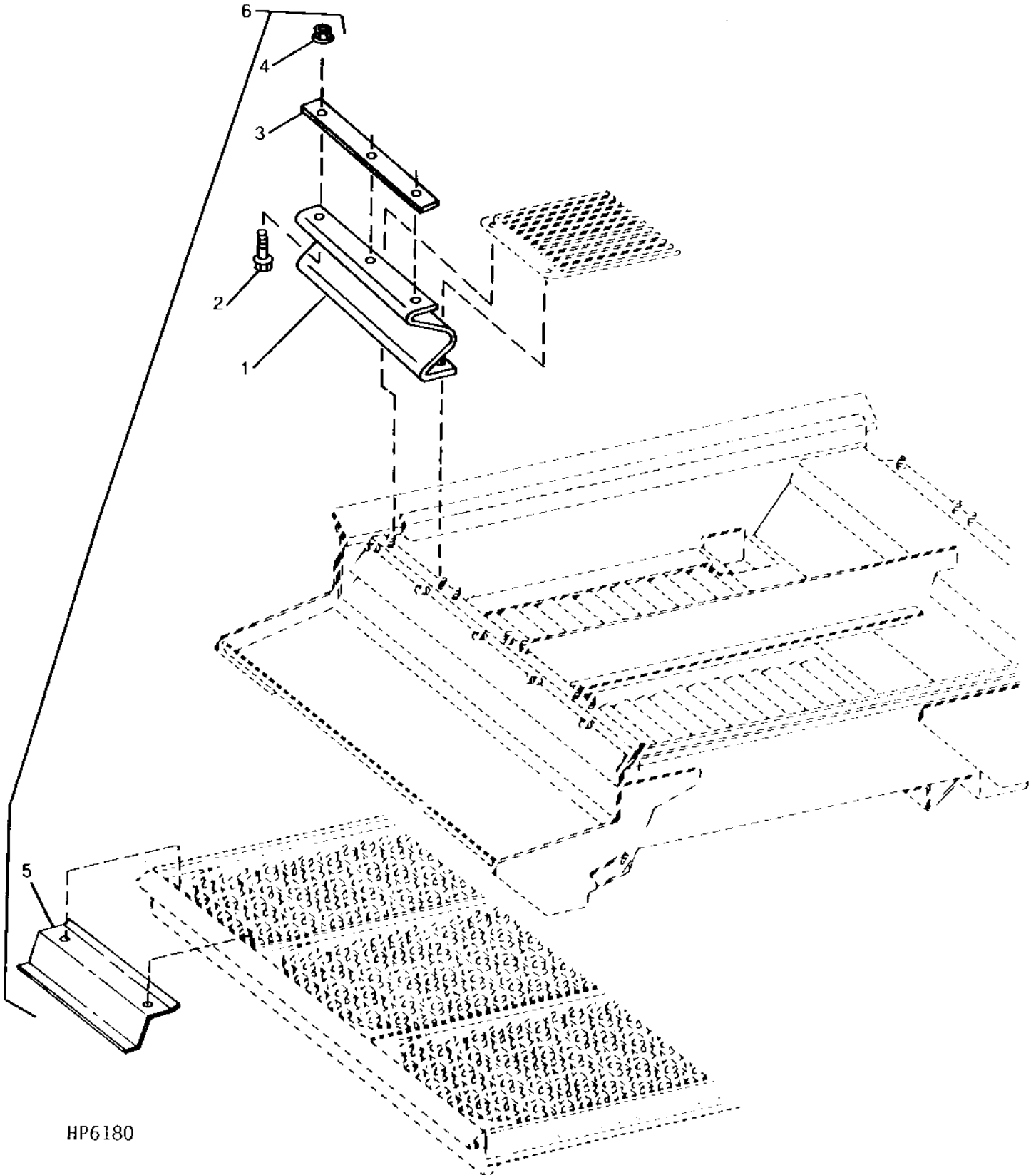
THRESHING AND SEPARATION

PRECLEANER CHAFFER FRAME - CONTINUED

KEY	PART NO.	PART NAME	QTY	SERIAL NO.	REMARKS
1	14M7396	LOCK NUT	AR	M8	
2	H132161	FINGER	4	15 FINGER (FRONT)	
	H156717	FINGER	2	12 FINGER	
	H156718	FINGER	4	15 FINGER (REAR)	
3	H140247	SEAL	2		
4	AH153808	FRAME	1		
5	19M8486	CAP SCREW	2	M16 X 180	
	49M5606	SHAFT KEY	2	M6 X 50	
6	19M7758	CAP SCREW	2	M12 X 130	
7	H152617	STRIP	1		
8	H152616	SEAL	1		
9	19M7868	SCREW	AR	M8 X 30	
10	H136609	SHEET	1		
11	H136611	ANGLE	1		
12	R87345	LOCK NUT	AR	9.525 MM	
13	R55326	RIVET	6		
..	BH78575	COMPLETE GOODS/SHIP. BUNDLE	1	MAIZE COVER	

4D9

GRAIN LEAK KIT
HP6180 -UN-03OCT95



HP6180

4D10

THRESHING AND SEPARATION

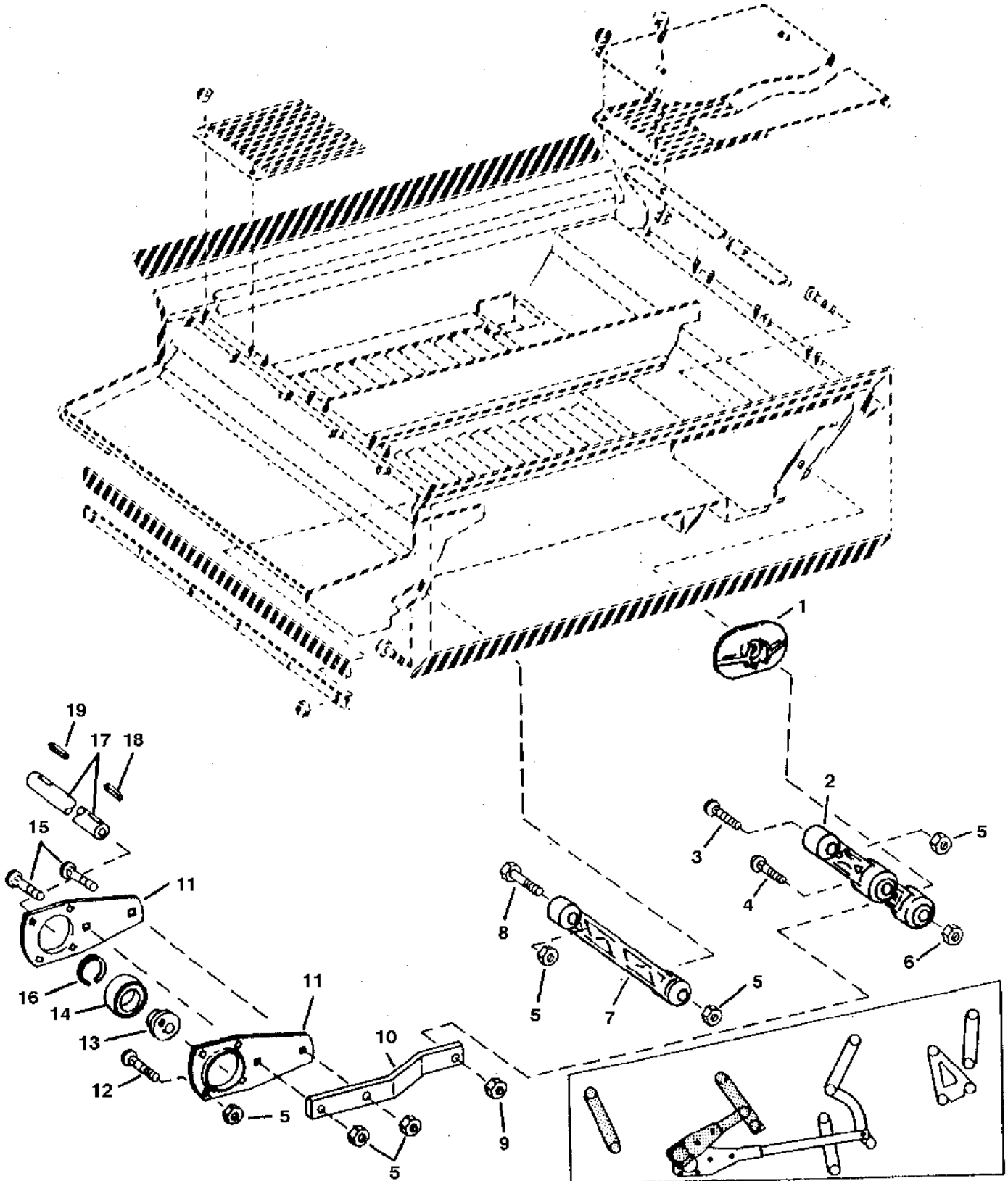
GRAIN LEAK KIT - CONTINUED

KEY	PART NO.	PART NAME	QTY	SERIAL NO.	REMARKS
1	H153648	SEAL	2		(R.H. SIDE ILLUSTRATED)
2	19M7862	SCREW	6		M6 X 20
3	H153649	STRAP	1		
4	14M7303	FLANGE NUT	6		M6
5	H153760	GUARD	4		(R.H. SIDE ILLUSTRATED)
6	AH147584	KIT	1		COMPLETE

4D11

THRESHING AND SEPARATION

PRECLEANER CHAFFER FRAME ARMS
HP6891 -UN-18AUG97



HP6891

4D12

THRESHING AND SEPARATION

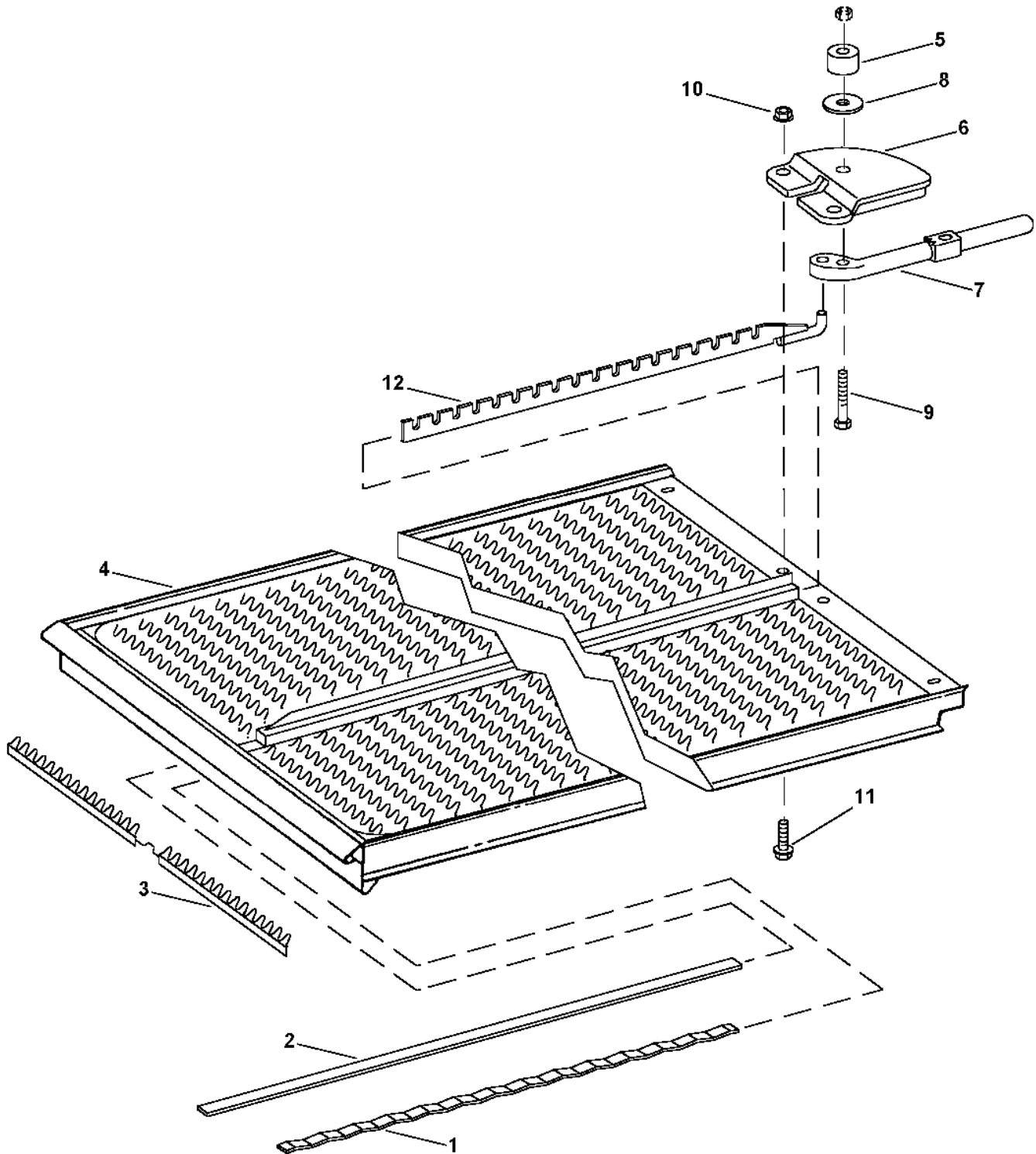
PRECLEANER CHAFFER FRAME ARMS - CONTINUED

KEY	PART NO.	PART NAME	QTY	SERIAL NO.	REMARKS
1	H146672	SEAL	2		(USE WITH AH138234) ONLY
2	AH138234	LINK	2		CAST
3	03M7248	BOLT	2		M12 X 90
4	19M8043	CAP SCREW	2		M16 X 140
5	14M7299	FLANGE NUT	AR		M12
6	14M7276	NUT	2		M16
7	AH138231	LINK	2		CAST
8	19M7818	SCREW	1		M12 X 80
9	14M7291	FLANGE NUT	2		M16
10	H130922	PITMAN	2		
11	H134118	PRESSED FLANGED HOUSING	4		
12	03M7197	BOLT	AR		M12 X 25
13	H133599	CAM	1		LEFT-HAND
	H133602	CAM	1		RIGHT-HAND
14	AH125975	BALL BEARING	2		
15	03M7200	BOLT	AR		M12 X 40
16	R43383	SNAP RING	2		
17	H133598	SHAFT	1		CLEANING SHOE SHAFT
18	49M7040	SHAFT KEY	1		
19	SHAFT KEY	1		6 X 50 MM (IN AH141142 KEY STOCK KIT) (CUT FROM H150268)

4D13

THRESHING AND SEPARATION

CHAFFER ELEMENT
HP6973 -UN-28OCT97



HP6973

4D14

THRESHING AND SEPARATION

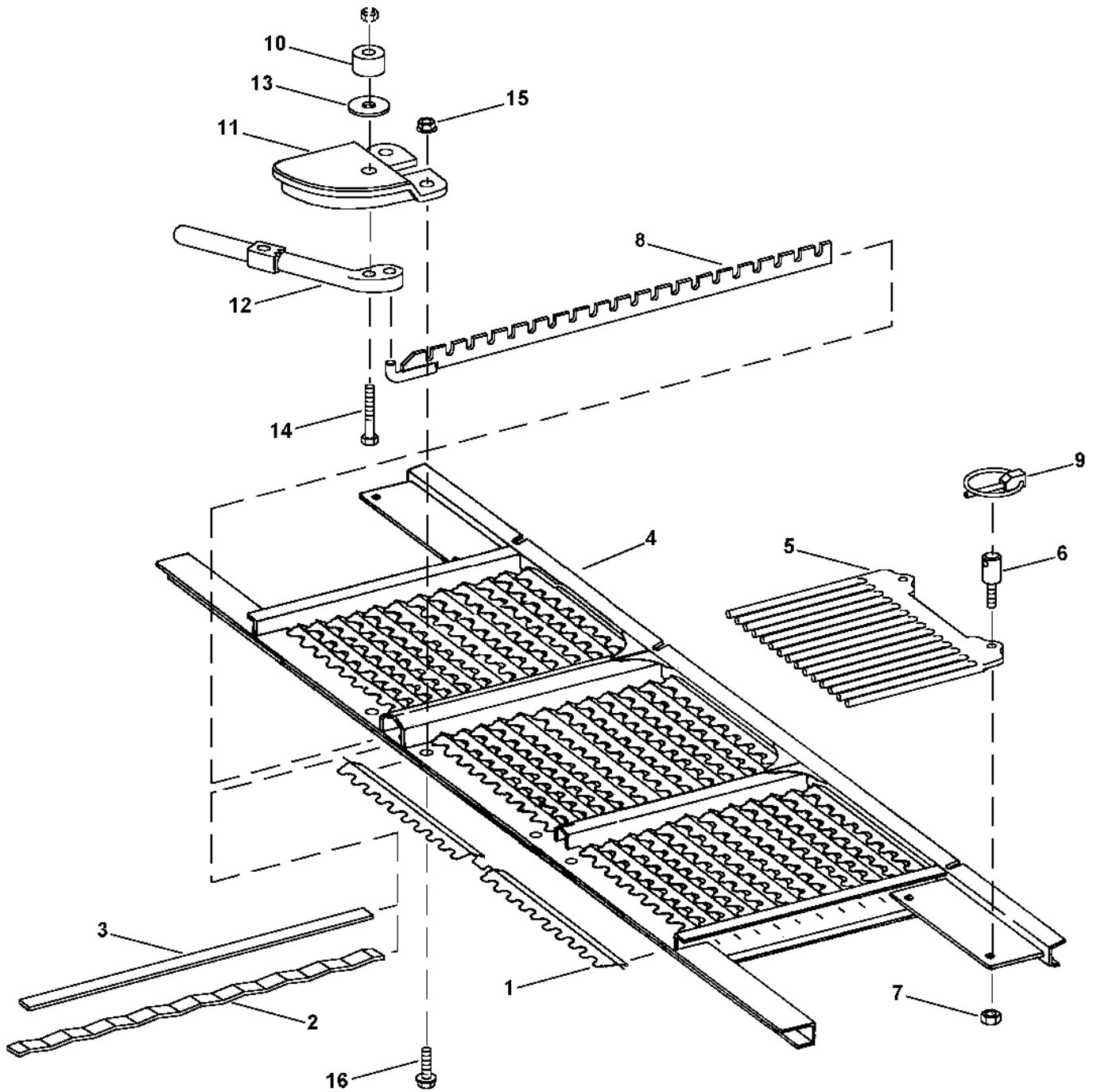
CHAFFER ELEMENT - CONTINUED

KEY	PART NO.	PART NAME	QTY	SERIAL NO.	REMARKS
1	H132291	LEAF SPRING	1		
2	H132288	STRIP	1		
3	AH132787	LOUVER	26		GENERAL PURPOSE LOUVERS
	AH127465	LOUVER	27		SEMI-DEEP TOOTH LOUVERS
	AH127466	LOUVER	1		
4	AH130486	CHAFFER	2		FIXED LOUVERS
	AH149551	CHAFFER	2		
5	A37576	PAD	1		
6	H157740	BRACKET	1		
7	H157743	HANDLE	1		
8	24H1695	WASHER	1		
9	19M7177	CAP SCREW	1		M6 X 35
10	14M7296	FLANGE NUT	2		M10
11	19M7784	SCREW	2		M10 X 20
12	AH150167	STRIP	1		

4D15

THRESHING AND SEPARATION

CHAFFER EXTENSION ELEMENT
HP6980 -UN-28OCT97



HP6980

4D16

THRESHING AND SEPARATION

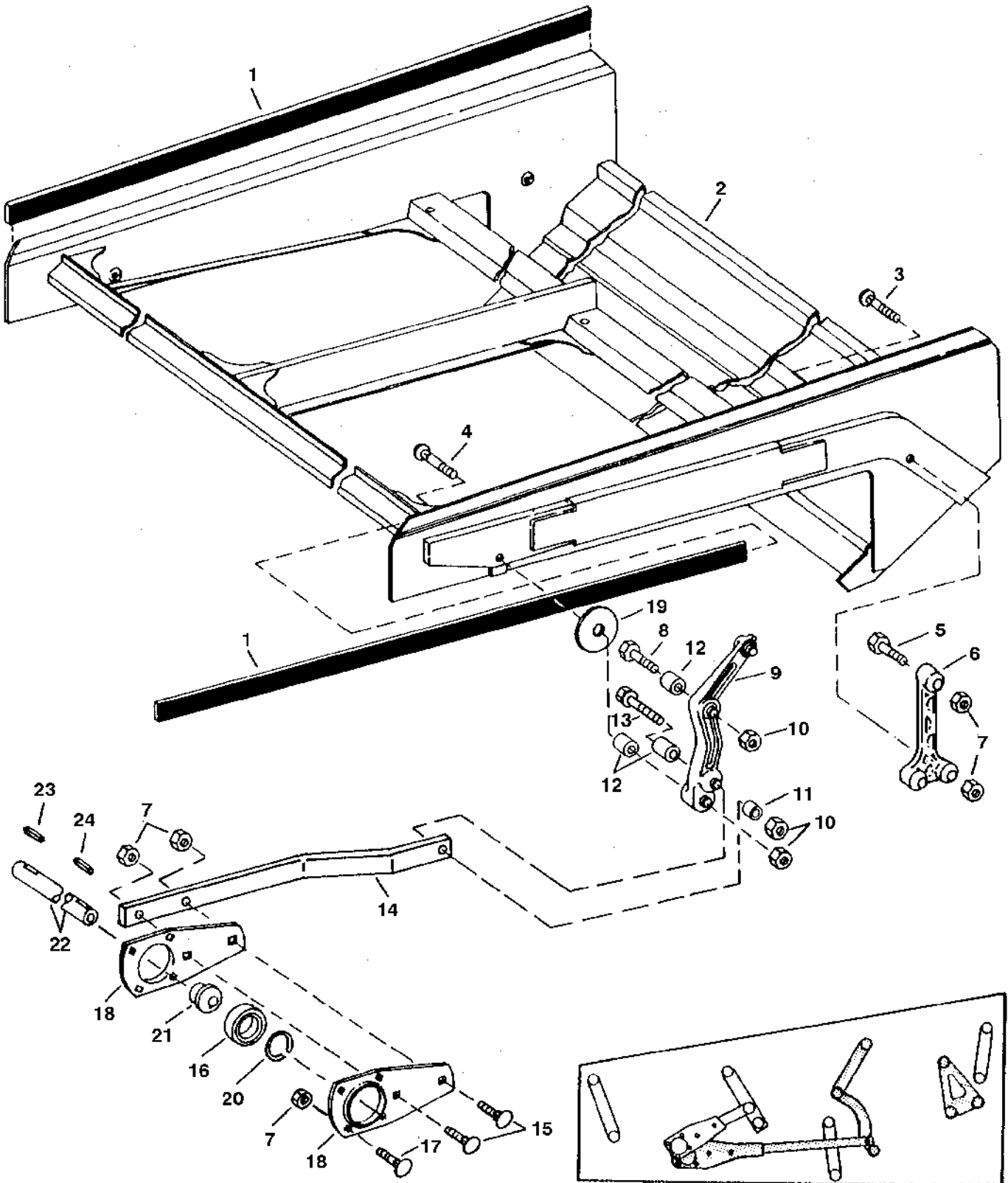
CHAFFER EXTENSION ELEMENT - CONTINUED

KEY	PART NO.	PART NAME	QTY	SERIAL NO.	REMARKS
1	AH127466	LOUVER	12		SEMI-DEEP TOOTH LOUVER
2	H132293	LEAF SPRING	2		
3	H132290	STRIP	2		
4	AH149555	EXTENSION	1		
	AH130996	CHAFFER	1		
5	H132161	FINGER	2		
6	H157752	STUD	2		
7	14M7298	FLANGE NUT	2	M8	
8	AH150169	STRIP	1		
9	M72598	QUICK LOCK PIN	2		
10	A37576	PAD	1		
11	H157740	BRACKET	1		
12	H157743	HANDLE	1		
13	24H1695	WASHER	1	9/32" X 1-3/8" X 0.065"	
14	19M7177	CAP SCREW	1	M6 X 35	
15	14M7296	FLANGE NUT	2	M10	
16	19M7784	SCREW	2	M10 X 20	

4D17

THRESHING AND SEPARATION

CHAFFER FRAME
HP6892 -UN-01OCT97



HP6892

4D18

THRESHING AND SEPARATION

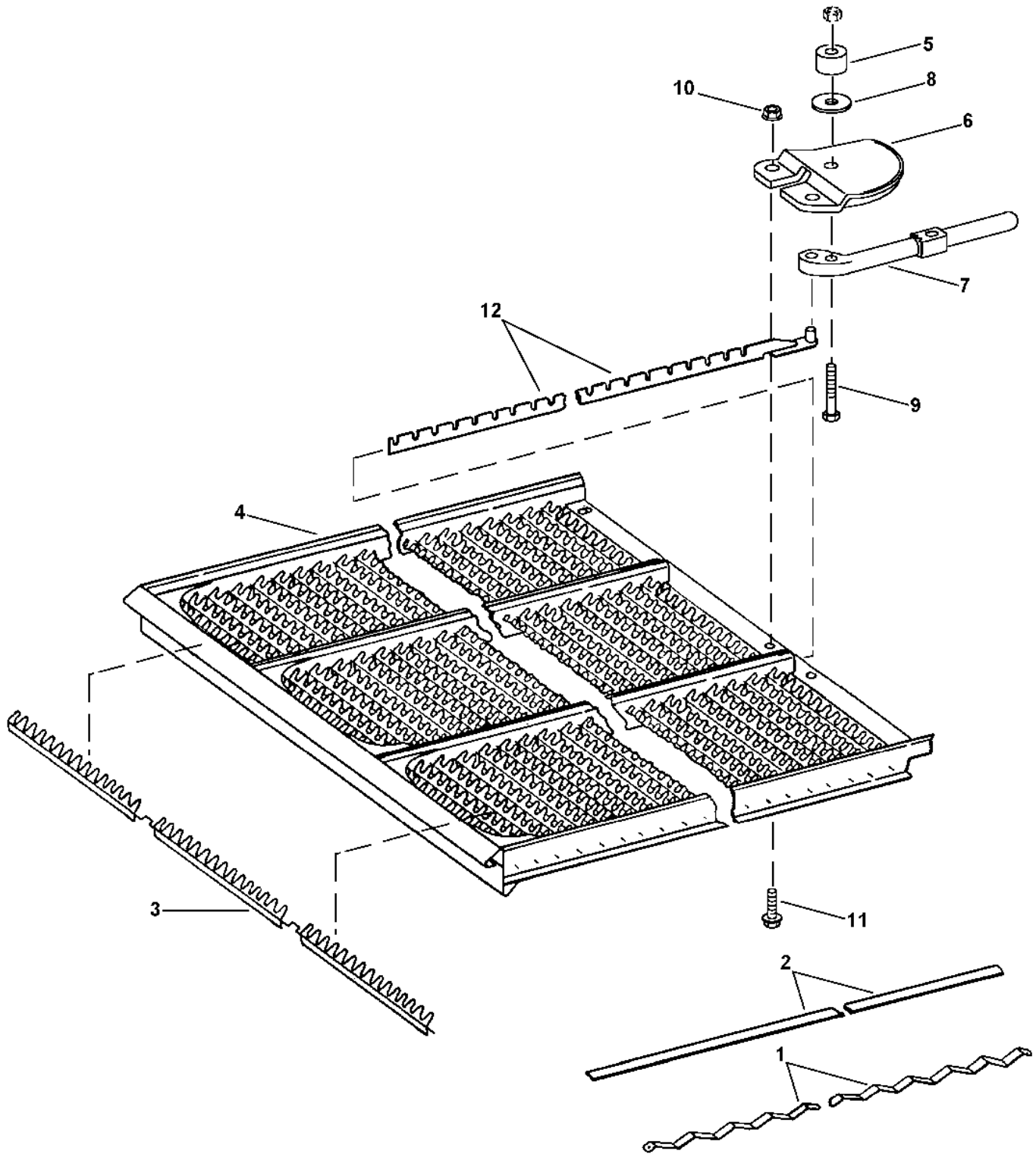
CHAFFER FRAME - CONTINUED

KEY	PART NO.	PART NAME	QTY	SERIAL NO.	REMARKS
1	H175540	SEAL	2		(SUB FOR H131319)
2	AH128464	FRAME	1		
3	19M7943	CAP SCREW	2		M12 X 90
4	19M7732	CAP SCREW	2		M16 X 130
5	03M7248	BOLT	2		M12 X 90
6	AH138232	LINK	2		
7	14M7299	FLANGE NUT	AR		M12
8	H154929	BOLT	2		M16 X 130
9	AH125969	ARM	1		L.H. SIDE
	AH125970	ARM	1		R.H. SIDE
10	14M7291	FLANGE NUT	AR		M16
11	H96690	SPACER	2		
12	AH125201	RUBBER MOUNT	3		
13	19M8486	CAP SCREW	2		M16 X 180
14	H150034	BAR	2		
15	03M7198	BOLT	AR		M12 X 30
	03M7200	BOLT	AR		M12 X 40
16	AH125975	BALL BEARING	2		
17	03M7197	BOLT	AR		M12 X 25
18	H134118	PRESSED FLANGED HOUSING	4		
19	H137188	SEAL	2		
20	R43383	SNAP RING	2		
21	H133600	CAM	1		L H
	H133601	CAM	1		R H
22	H133598	SHAFT	1		
23	SHAFT KEY	1		6 X 50 MM (IN AH141142 KEY STOCK KIT) (CUT FROM H150268)
24	49M7040	SHAFT KEY	1		6 X 6 X 50 MM

4D19

THRESHING AND SEPARATION

SIEVE ELEMENT
HP6972 -UN-28OCT97



HP6972

4D20

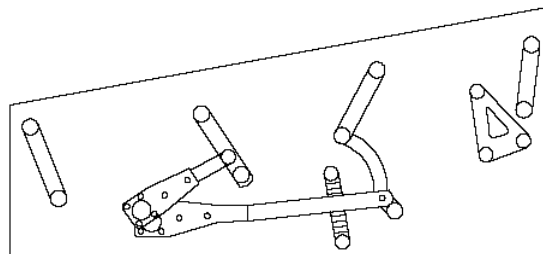
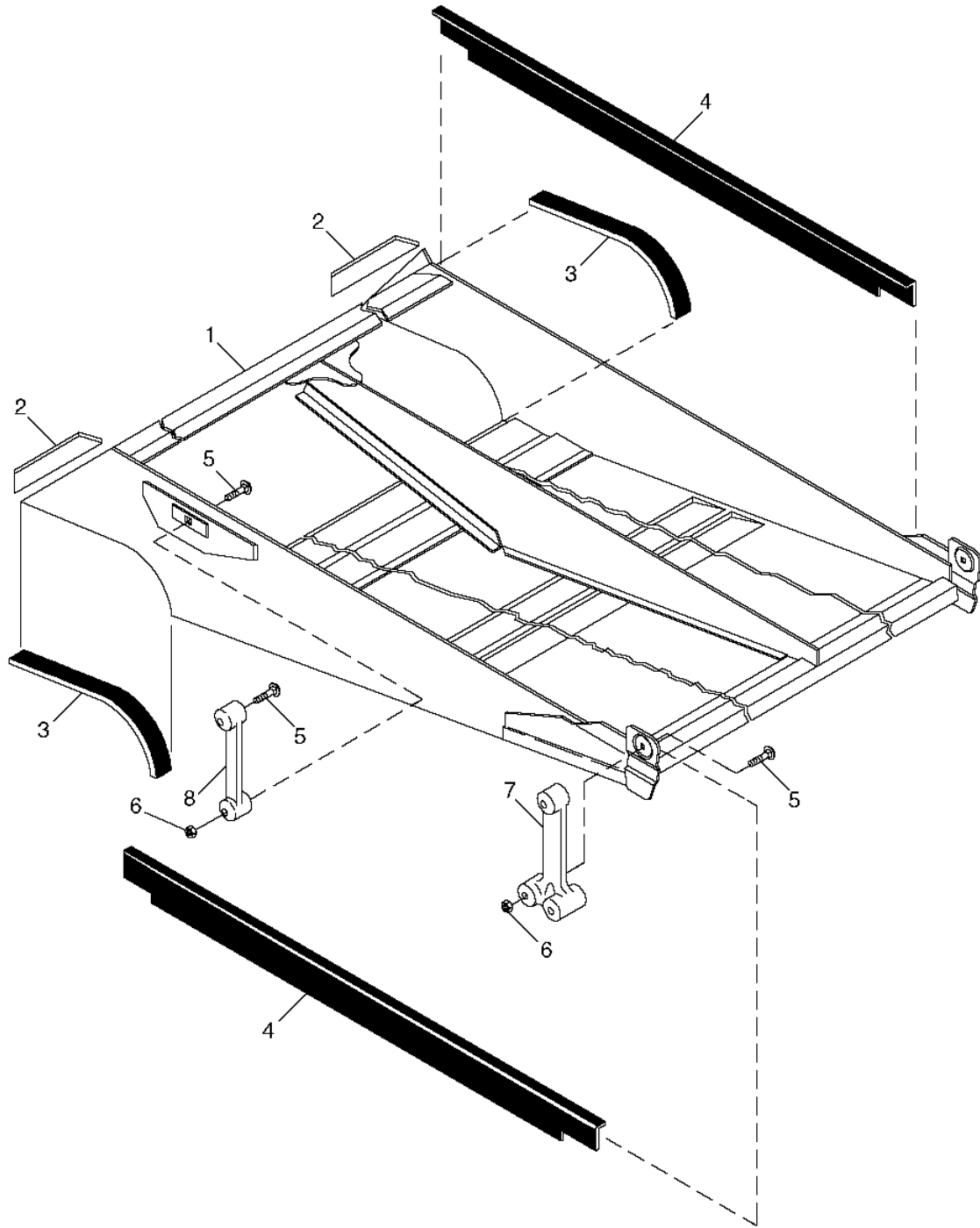
THRESHING AND SEPARATION

SIEVE ELEMENT - CONTINUED

KEY	PART NO.	PART NAME	QTY	SERIAL NO.	REMARKS
1	H132292	LEAF SPRING	1		
2	H132289	STRIP	1		
3	AH154400	LOUVER	40		(USED ON AH149558)
	AH154420	LOUVER	40		(USED ON AH149559)
4	AH149558	SIEVE	1		R.H.
	AH149559	SIEVE	1		L.H.
	AH131217	SIEVE	1		3MM (1/8") NON-ADJUSTABLE
	AH131219	SIEVE	1		10MM (3/8") NON-ADJUSTABLE
5	A37576	PAD	1		
6	H157741	BRACKET	1		(USED ON AH149558)
	H157742	BRACKET	1		(USED ON AH149559)
7	H157744	HANDLE	1		
8	24H1695	WASHER	1		9/32" X 1-3/8" X 0.065"
9	19M7177	CAP SCREW	1		M6 X 35
10	14M7296	FLANGE NUT	2		M10
11	19M7784	SCREW	2		ADJUSTABLE
12	AH150168	STRIP	1		

4D21

SIEVE FRAME
HP8500 -UN-21APR99



HP8500

4D22

THRESHING AND SEPARATION

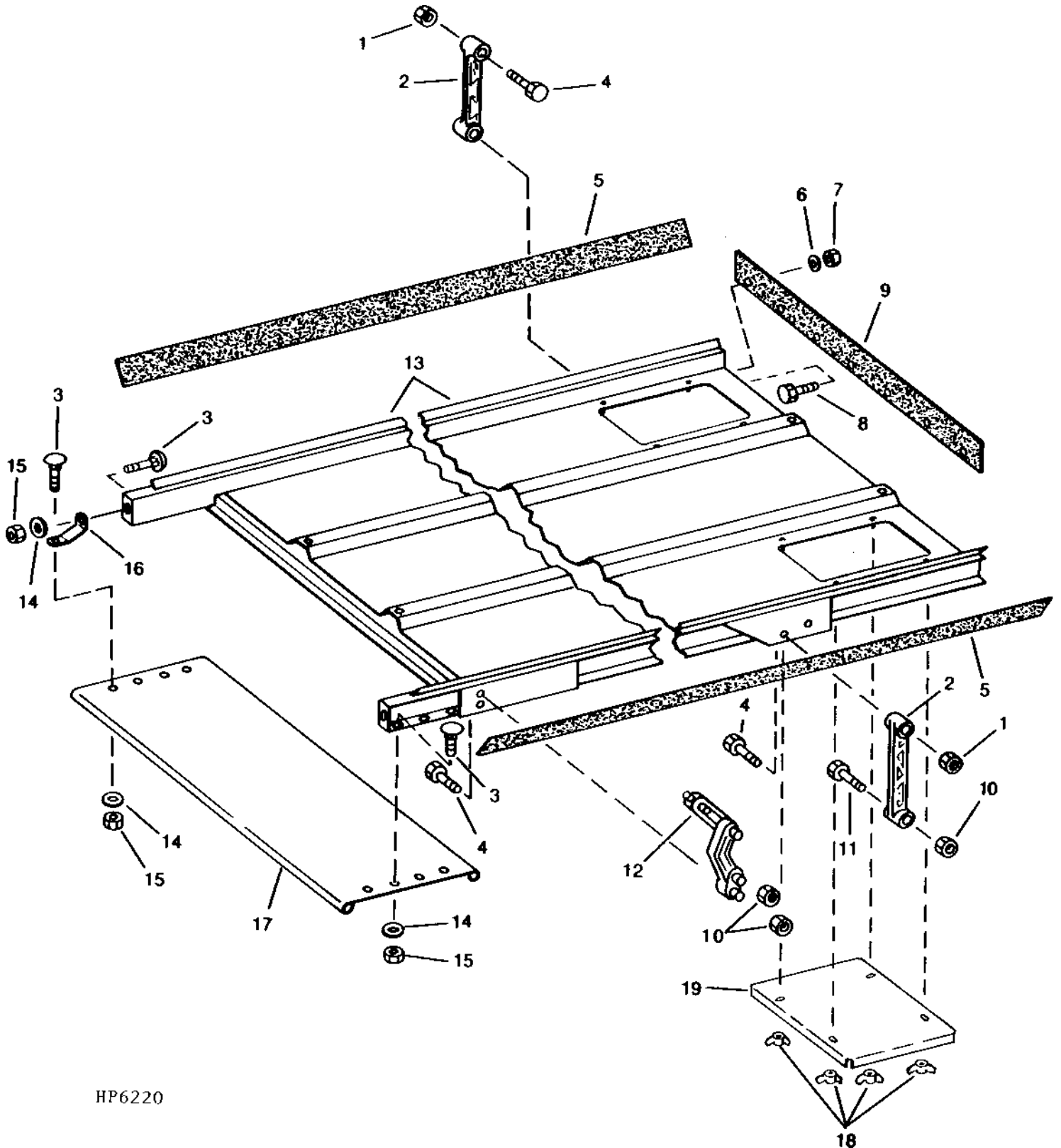
SIEVE FRAME - CONTINUED

KEY	PART NO.	PART NAME	QTY	SERIAL NO.	REMARKS
1	AH149701	FRAME	1		
2	H133288	SEAL	2		
3	AH133091	SEAL	2	-675604	(SUB FOR AH132965 AND AH132966) (MAKE FROM AH125163) CUT 320 MM (12-1/2") (50 FT ROLL)
	AH159365	SEAL	2	675605-	
4	H133287	SEAL	2		
5	H154928	BOLT	6		
6	14M7299	FLANGE NUT	6	M12	
7	AH138232	LINK	2		
8	AH138230	LINK	2		

4D23

THRESHING AND SEPARATION

SHAKER PAN
HP6220 -UN-04JAN96



HP6220

4D24

THRESHING AND SEPARATION

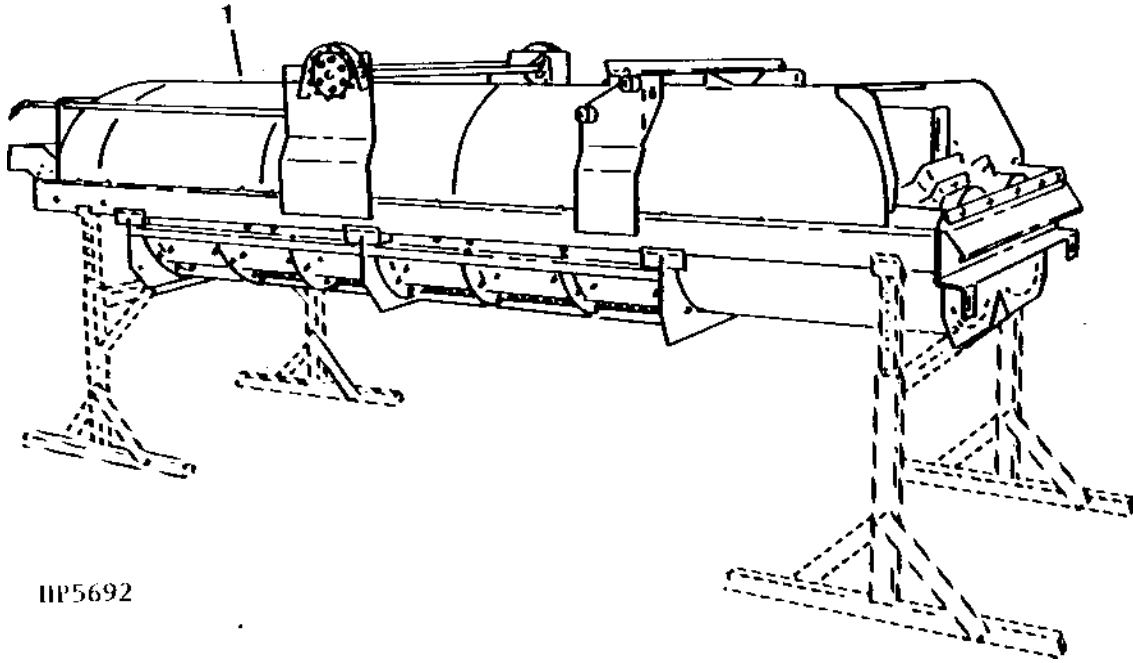
SHAKER PAN - CONTINUED

KEY	PART NO.	PART NAME	QTY	SERIAL NO.	REMARKS
1	14M7275	NUT	5	M12	
2	AH138230	LINK	2		
3	03M7183	BOLT	10	M8 X 16	
4	19M7821	SCREW	2	M12 X 120	
5	H175590	SEAL	2	(SUB FOR H133768)	
6	24H1299	WASHER	7	3/8" X 1-1/4" X 0.065"	
7	14M7298	FLANGE NUT	7	M8	
8	03M7184	BOLT	7	M8 X 20	
9	H133789	SEAL	1		
10	14M7275	NUT	4	M12	
11	19M7819	SCREW	2	M12 X 90	
12	AH125970	ARM	1	R.H.	
	AH125969	ARM	1	L.H.	
13	AH148142	GRAIN PAN	1		
14	M84309	NUT	10	7.925 MM (5/16")	
15	14M7396	LOCK NUT	10	M8	
16	H149468	BEAM	2		
17	H149467	SHEET	1		
18	14M7020	WING NUT	8	M8	
19	H154808	PANEL	2		

4D25

THRESHING AND SEPARATION

MODULE ASSEMBLY
HP5692 -UN-01JAN94

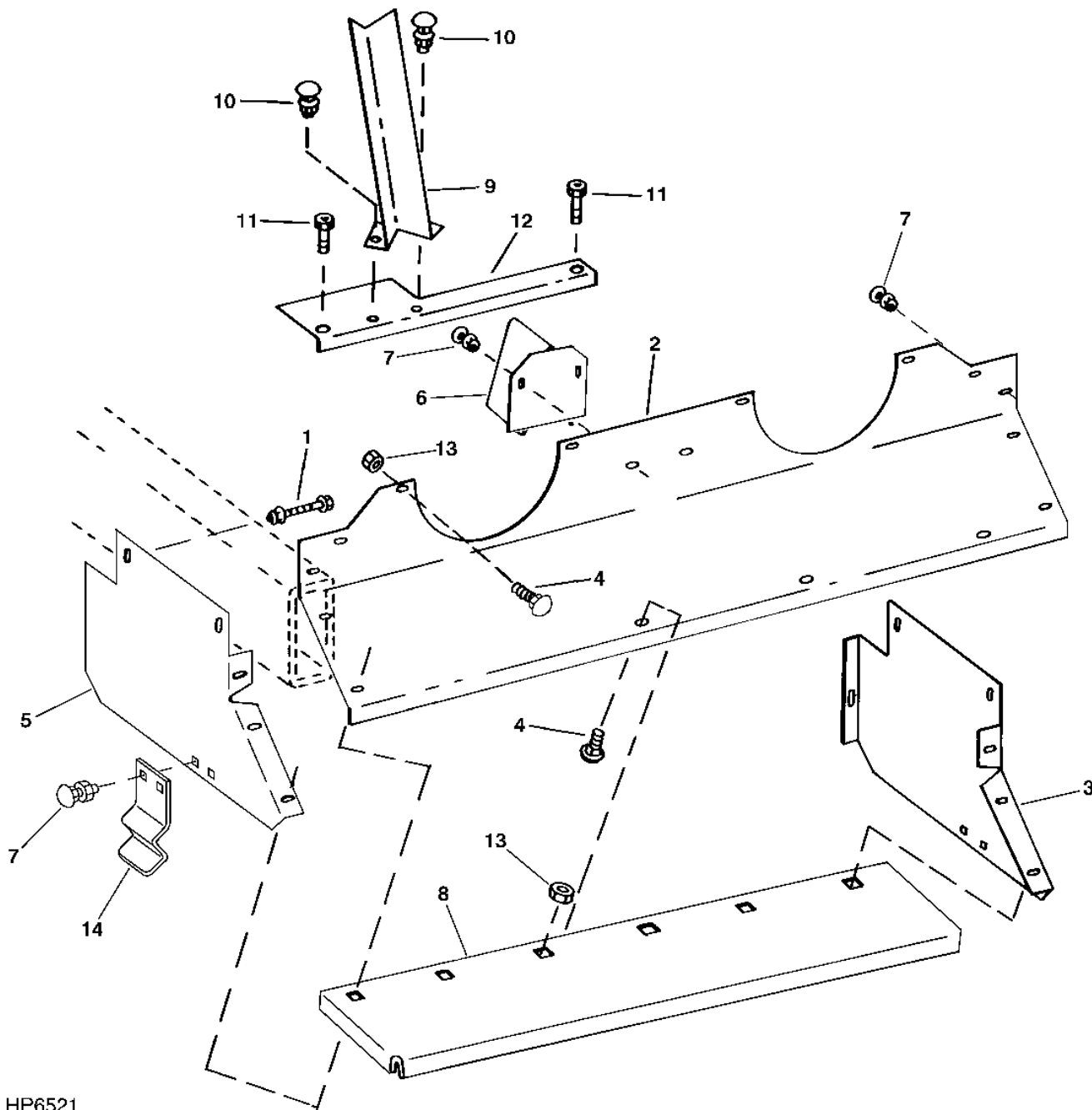


KEY	PART NO.	PART NAME	QTY	SERIAL NO.	REMARKS
1	AH161504	MODULE	1		(SUB FOR AH134360) (RICE)
	AH161505	MODULE	1		(SUB FOR AH144974) (GRAIN)
	AH161506	MODULE	1		(SUB FOR AH154369) (EDIBLE BEAN)

MEMORANDA

4E1

MODULE REAR SHIELDS
HP6521 -UN-15JUL96



HP6521

4E2

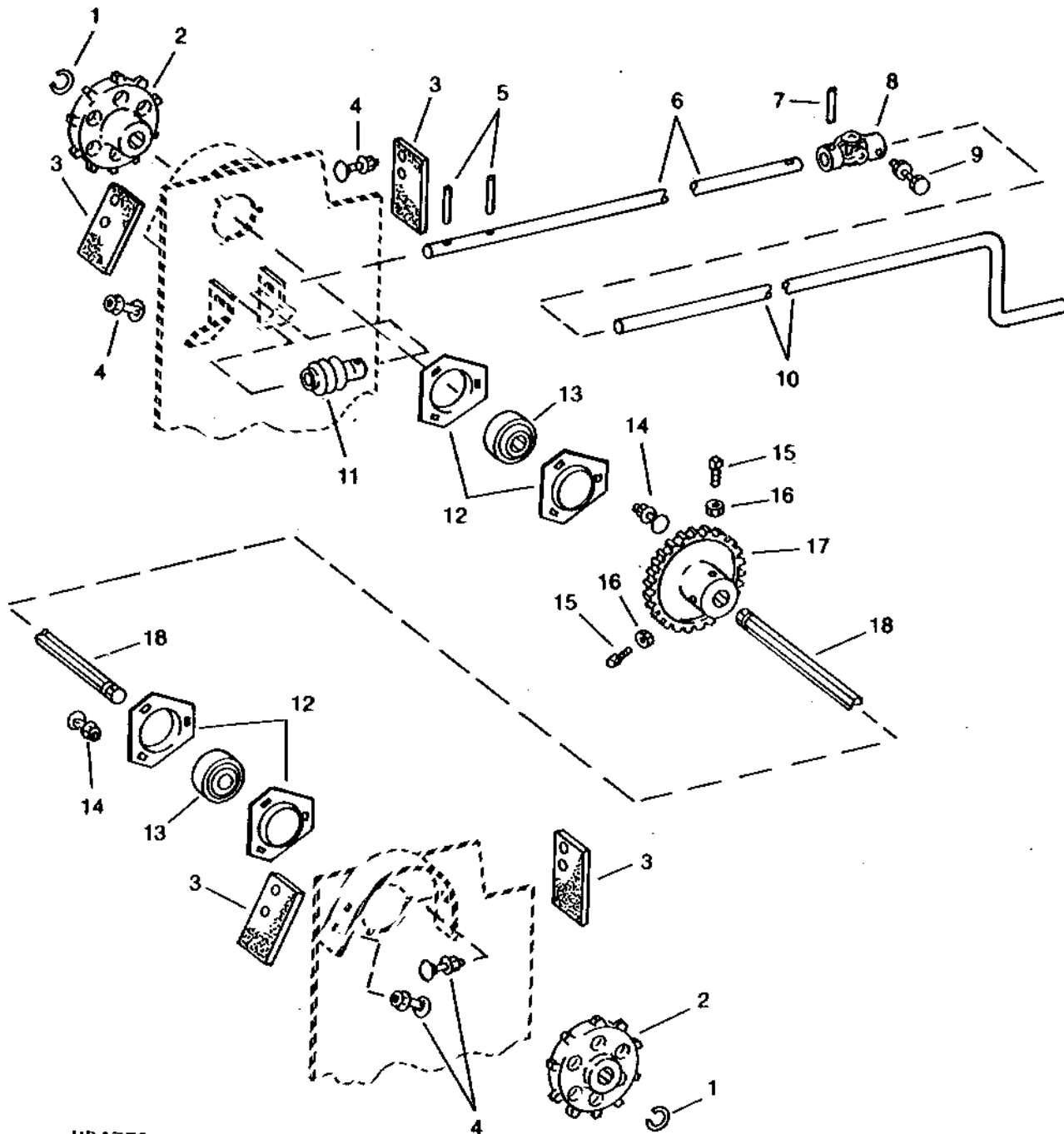
THRESHING AND SEPARATION

MODULE REAR SHIELDS - CONTINUED

KEY	PART NO.	PART NAME	QTY	SERIAL NO.	REMARKS
1	19M7809	SCREW	4	M10 X 70	
	14M7296	FLANGE NUT	4	M10	
2	H147125	SHEET	1		
3	H148674	SHIELD	1	R.H.	
4	03M7183	BOLT	20	M8 X 16	
5	H148673	SHIELD	1	L.H.	
6	AH141024	PANEL	1	FOR STRAW SPREADER	
	AH143405	FLOW DIVIDER	1	FOR STRAW CHOPPER	
7	03M7183	BOLT	10	M8 X 16	
	14M7298	FLANGE NUT	10	M8	
8	H147520	SHIELD	1		
9	H147153	SHIELD	1	(CORN CONVERSION)	
10	03M7190	BOLT	2	M10 X 20, (CORN CONVERSION)	
	14M7296	FLANGE NUT	2	M10, (CORN CONVERSION)	
11	19M7787	SCREW	2	M12 X 20, (CORN CONVERSION)	
12	H147519	SHIELD	1	(CORN CONVERSION)	
13	14M7298	FLANGE NUT	14	M8	
14	H147496	LATCH	2		
..	AH89557	CLIP	1	(FOR L.H. REAR DISCHARGE LIGHT)	
..	BH80132	COMPLETE GOODS/SHIP. BUNDLE	1	CORN CONVERSION	

4E3

MODULE CRANK OUT SYSTEM
HP4771 -UN-01JAN94



HP4771

4E4

THRESHING AND SEPARATION

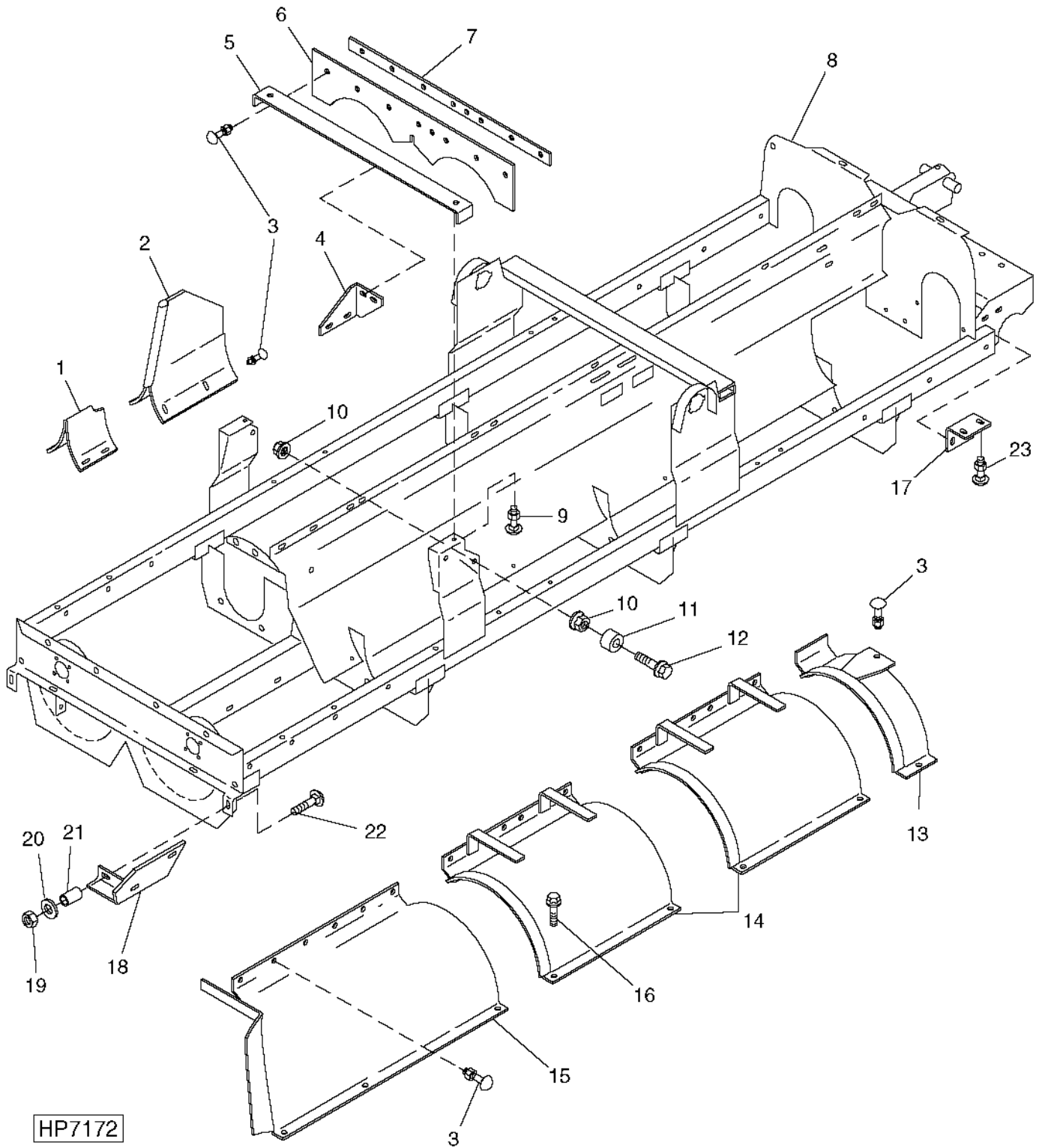
MODULE CRANK OUT SYSTEM - CONTINUED

KEY	PART NO.	PART NAME	QTY	SERIAL NO.	REMARKS
1	H80926	SNAP RING	2		
2	H143543	CHAIN SPROCKET	2		
3	H141282	BLADE	2		FRONT OF TRANSPORT RING GEARS
	H147838	BLADE	2		REAR OF TRANSPORT RING GEARS
4	03M7185	BOLT	4		M8 X 25
	14M7298	FLANGE NUT	4		M8
	24M7207	WASHER	4		8.400 X 24 X 2 MM
5	34H105	SPRING PIN	2		
6	H158737	SHAFT	1		
7	34H105	SPRING PIN	1		
8	AH135160	UNIVERSAL JOINT	1		
9	19M7595	CAP SCREW	1		M6 X 50
	14M7272	NUT	1		M6
10	H145792	CRANK	1		
11	H158712	GEAR	1		
12	H103265	PRESSED FLANGED HOUSING	4		
13	AN102010	BEARING	2		
14	03M7191	BOLT	6		M10 X 25
	14M7296	FLANGE NUT	6		M10
15	H138435	SET SCREW	2		
16	14M7152	NUT	2		M10
17	H143542	HELICAL GEAR	1		
18	H142138	SHAFT	1		

4E5

THRESHING AND SEPARATION

MODULE FRAME AND COVERS
HP7172 -UN-13AUG99



4E6

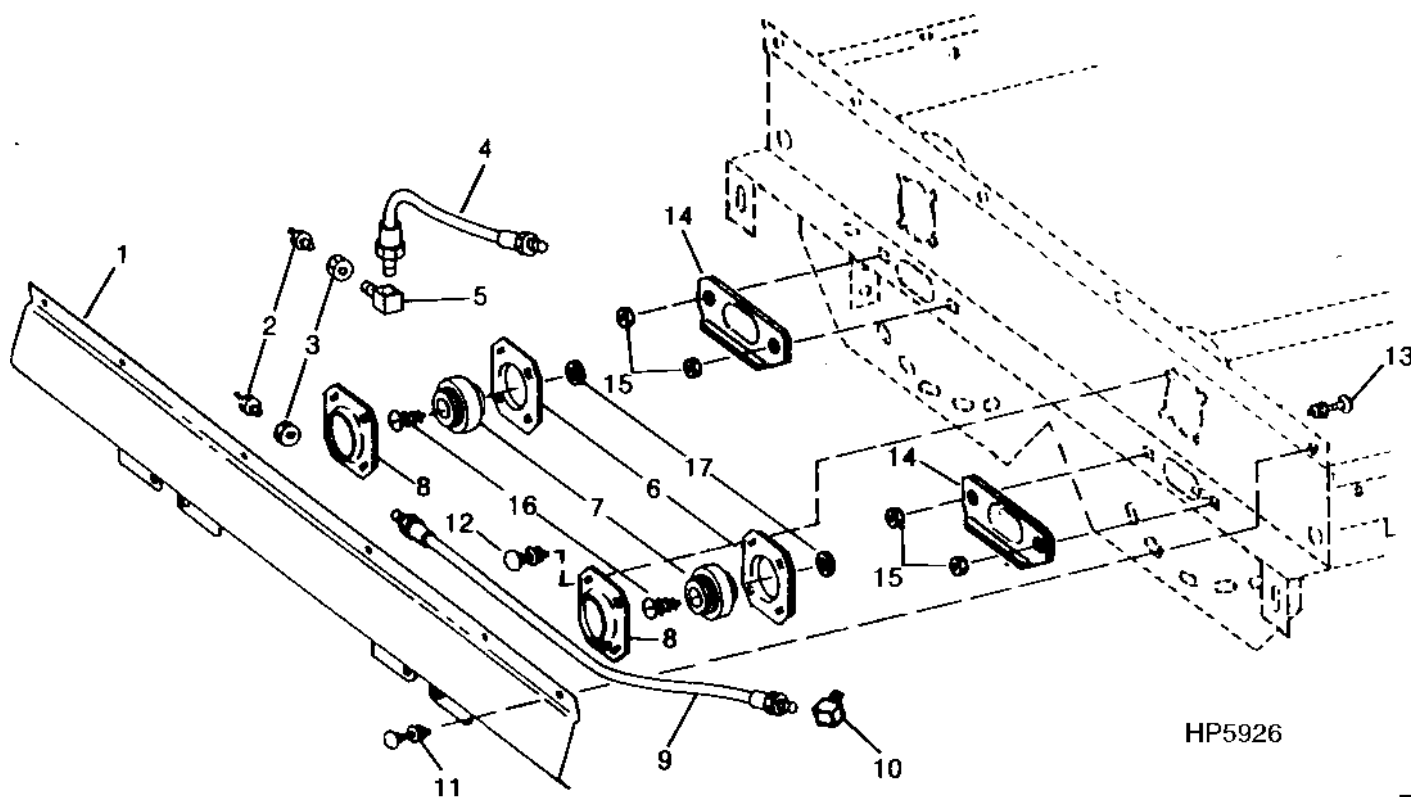
THRESHING AND SEPARATION

MODULE FRAME AND COVERS - CONTINUED

KEY	PART NO.	PART NAME	QTY	SERIAL NO.	REMARKS
1	H145089	CROP DIVIDER	1		
2	AH148526	CROP DIVIDER	1		
3	03M7192	BOLT	30	M10 X 30	
	14M7296	FLANGE NUT	30	M10	
4	H144265	BRACKET	1		
5	H144264	ANGLE	1		
6	H144267	SEAL	1		
7	H144266	STRIP	1		
8	AH141853	FRAME	1		
9	19M7789	SCREW	AR	M12 X 30	
	14M7299	FLANGE NUT	AR	M12	
10	14M7291	FLANGE NUT	4	M16	
11	H113892	SHIFT COLLAR	4		
12	19M7417	CAP SCREW	4	M16 X 65	
13	AH147953	COVER	1	L.H. (REAR)	
	AH147952	COVER	1	R.H. (REAR)	
14	AH137671	COVER	2	L.H. (20 DEGREE VANES)	
	AH137677	COVER	2	L.H.-CORN ONLY (10° VANES)	
	AH137672	COVER	2	R.H. (20 DEGREE VANES)	
	AH137678	COVER	2	R.H.-CORN ONLY (10° VANES)	
15	AH139280	COVER	1	R.H. (FRONT)	
	AH139281	COVER	1	L.H. (FRONT)	
16	03M7233	BOLT	AR	M10 X 70	
17	H143574	ANGLE	2		
18	AH137374	STOP	1	L.H.	
	AH137373	STOP	1	R.H.	
19	14M7299	FLANGE NUT	2	M12	
20	24M7240	WASHER	2	13 X 25 X 3 MM	
21	N61709	BUSHING	2	13.487 X 25.400 X 18.110 MM (17/32" X 1" X 0.713")	
22	03M7205	BOLT	1	M16 X 40	
23	03M7198	BOLT	2	M12 X 30	

MODULE FRONT BEARINGS AND LUBE LINES

HP5926 -UN-04MAY95



HP5926

4E8

THRESHING AND SEPARATION

MODULE FRONT BEARINGS AND LUBE LINES - CONTINUED

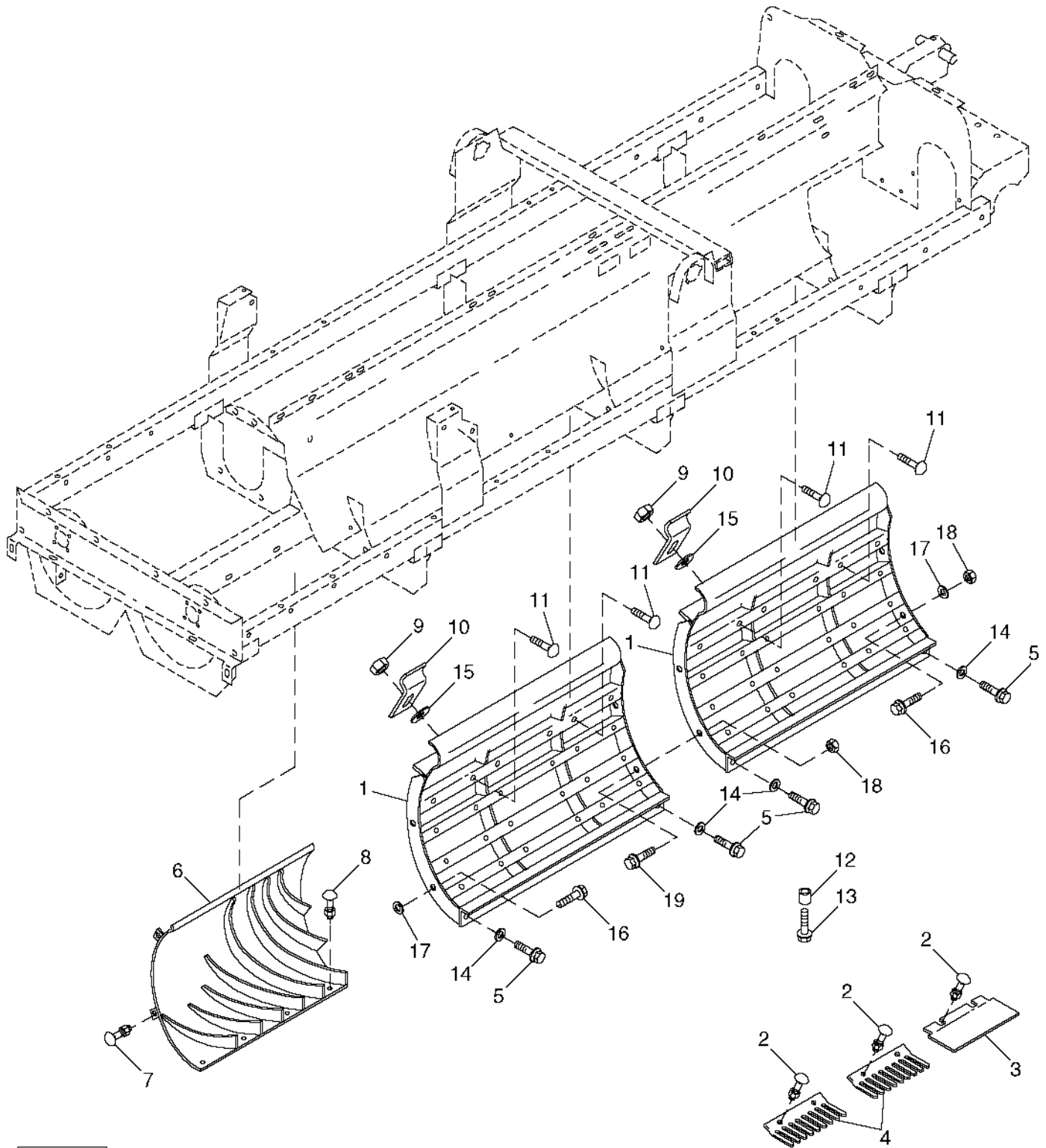
KEY	PART NO.	PART NAME	QTY	SERIAL NO.	REMARKS
1	H145845	COVER	1		
2	JD7797	LUBRICATION FITTING	2		
3	E12379	NUT	2		3.175 MM
4	H98301	HYDRAULIC HOSE	1		
5	E12378	ELBOW FITTING	2		
6	H113626	PRESSED FLANGED HOUSING	2		
7	JD9434	BEARING	2		
8	H113625	PRESSED FLANGED HOUSING	2		
9	AH142000	HOSE	1		
10	JD7845	ELBOW FITTING	1		
11	03M7183	BOLT	6		M8 X 16
	14M7298	FLANGE NUT	6		M8
12	03M7198	BOLT	8		M12 X 30
	14M7299	FLANGE NUT	8		M12
13	03M7201	BOLT	4		M12 X 45
	14M7299	FLANGE NUT	4		M12
14	AH146364	PLATE	2		
15	14M7396	LOCK NUT	1		M8
16	19M7843	SCREW	2		M16 X 35
17	N72306	WASHER	2		16.662 X 50.800 X 6.350 MM

4E9

THRESHING AND SEPARATION

MODULE GRATE ASSEMBLY, FINGER BAR AND FILLER PLATE

HP9682 -UN-11APR00



HP9682

4E10

THRESHING AND SEPARATION

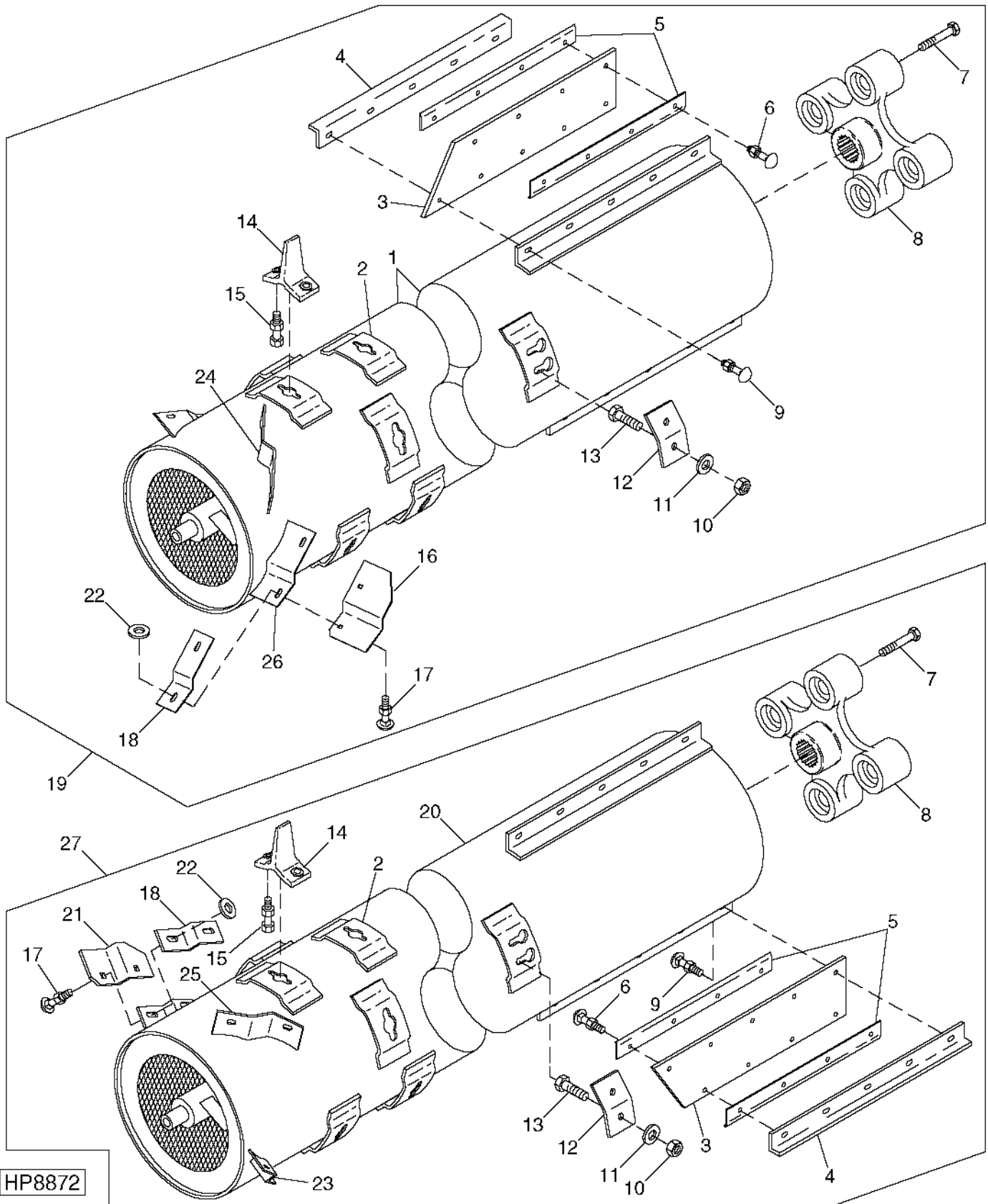
MODULE GRATE ASSEMBLY, FINGER BAR AND FILLER PLATE - CONTINUED

KEY	PART NO.	PART NAME	QTY	SERIAL NO.	REMARKS
1	AH167146	FINGER GRATE	4		(SUB FOR AH138228) (RICE)
	AH140766	GRATE	4		(GRAIN)
2	03M7238	BOLT	AR		M10 X 35
	14M7296	FLANGE NUT	AR		M10
3	H173009	PLATE	18		(RICE)
	H150752	PLATE	12		(GRAIN)
	AH146360	COVER	AR		(GRAIN)
4	H147132	FINGER	36		(RICE)
	H150142	FINGER	72		(GRAIN)
5	19M7790	SCREW	AR		M12 X 35
6	AH139236	HOUSING	1		L.H.
	AH139237	HOUSING	1		R.H.
7	03M7191	BOLT	2		M10 X 25
	14M7296	FLANGE NUT	2		M10
8	03M7233	BOLT	2		M10 X 70
	03M7238	BOLT	AR		M10 X 35
	14M7296	FLANGE NUT	2		M10
9	14M7296	FLANGE NUT	AR		M10
10	H147286	CLIP	8		
11	03M7339	BOLT	8		M10 X 50
12	H146752	BUSHING	AR		(CORN CONVERSION)
13	19M7816	SCREW	AR		M12 X 65, (CORN CONVERSION)
14	24H1850	WASHER	AR		17/32" X 1-1/4" X 0.180"
15	24M7028	WASHER	AR		10.500 X 20 X 2 MM
	24M7178	WASHER	AR		10.500 X 30 X 2.500 MM, 1ST ROW
16	19M7835	SCREW	AR		M10 X 35
17	24M7178	WASHER	AR		10.500 X 30 X 2.500 MM
18	H135891	LOCK NUT	AR		
19	19M8162	CAP SCREW	AR		M10 X 40
..	BH80132	COMPLETE GOODS/SHIP. BUNDLE	1		CORN CONVERSION
..	BH79980	COMPLETE GOODS/SHIP. BUNDLE	1		COVER ASSEMBLY, 7-ROW GRATE

4E11

THRESHING AND SEPARATION

MODULE TINE SEPARATORS
HP8872 -UN-29JUL99



4E12

THRESHING AND SEPARATION

MODULE TINE SEPARATORS - CONTINUED

KEY	PART NO.	PART NAME	QTY	SERIAL NO.	REMARKS
1	TUBE	1		RIGHT-HAND
2	H146453	BRACKET	44		
3	H145364	PADDLE	2		
4	H145366	ANGLE	2		R.H.
	H145370	ANGLE	2		L.H.
5	H145363	STRIP	4		
6	03M7186	BOLT	8		M8 X 30
	14M7396	LOCK NUT	8		M8
7	19M7819	SCREW	4		M12 X 90
8	AH144617	COUPLING	1		
9	03M7238	BOLT	10		M10 X 35
	H135891	LOCK NUT	10		M10, (SUB FOR 14M7400)
10	14M7396	LOCK NUT	AR		M8
11	24H1297	WASHER	AR		11/32" X 2" X 0.065", (MAY BE USED IN LIEU OF WEIGHT)
12	H147230	WEIGHT	AR		1.6 MM THICK
	H147231	WEIGHT	AR		3 MM THICK
	H147232	WEIGHT	AR		4.5 MM THICK
	H147233	WEIGHT	AR		6 MM THICK
	H147234	WEIGHT	AR		8 MM THICK
13	03M7185	BOLT	AR		M8 X 25
14	H146455	TINE	16		(FROM FRONT TO REAR, FIRST FOUR ROWS)
	H146454	TINE	28		
15	19M7790	SCREW	88		M12 X 35
	14M7401	LOCK NUT	88		M12
16	H146006	BLADE	4	-10AU98	R.H.
	H168073	FLOW DIVIDER	4	10AU98-	R.H.
17	03M7238	BOLT	8	-10AU98	M10 X 35
	14M7296	FLANGE NUT	8	-10AU98	M10
	H168080	BOLT	8	10AU98-	M12 X 40
	14M7299	FLANGE NUT	8	10AU98-	M12
18	H149415	WEIGHT	AR	-10AU98	
	H149416	WEIGHT	AR	-10AU98	
	H149417	WEIGHT	AR	-10AU98	
	H149418	WEIGHT	AR	-10AU98	
	H149419	WEIGHT	AR	-10AU98	
	H168074	WEIGHT	AR	10AU98-	
	H168075	WEIGHT	AR	10AU98-	
	H168076	WEIGHT	AR	10AU98-	
	H168077	WEIGHT	AR	10AU98-	
	H168078	WEIGHT	AR	10AU98-	
19	AH161512	TUBE	1		(SUB FOR AH143270) R.H.
20	HOUSING	1		L.H.
21	H145943	BLADE	4	-10AU98	L.H.
	H168072	FLOW DIVIDER	4	10AU98-	
22	24H1790	WASHER	AR	-10AU98	17/32" X 1-1/2" X 0.164", (MAY BE USED IN LIEU OF WEIGHT)
23	H168068	BRACKET	1		
24	H168069	BRACKET	2		
25	H168070	BRACKET	2		
26	H168071	SUPPORT	2		
27	AH161511	TUBE	1		(SUB FOR AH143269) L.H.

NOTE: QUANTITIES SHOWN ARE FOR ONE HOUSING ASSEMBLY ONLY.

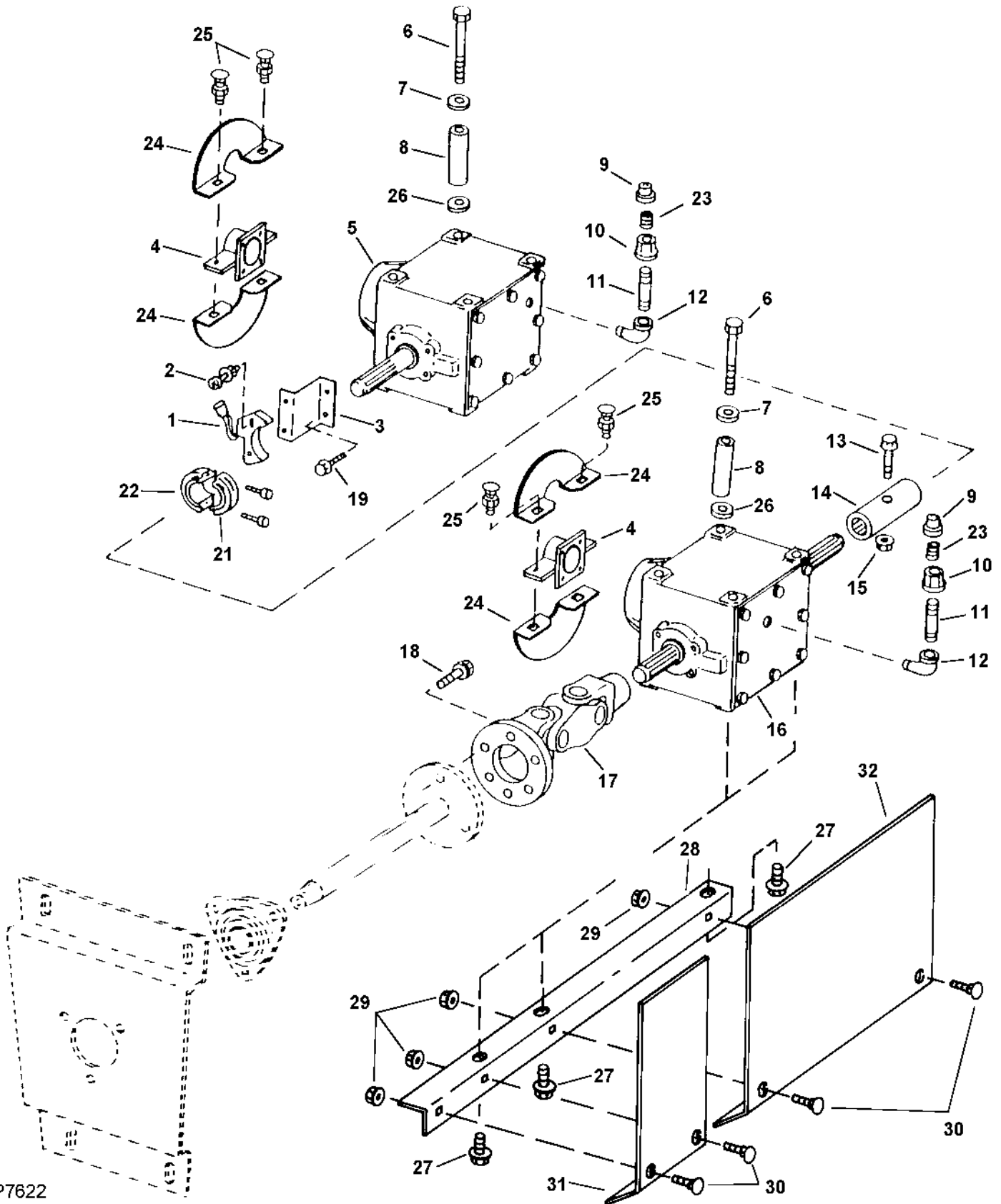
MEMORANDA

MEMORANDA

4E16

DRIVES

MODULE GEARBOX, SHAFT AND COUPLING
HP7622 -UN-03SEP98



HP7622

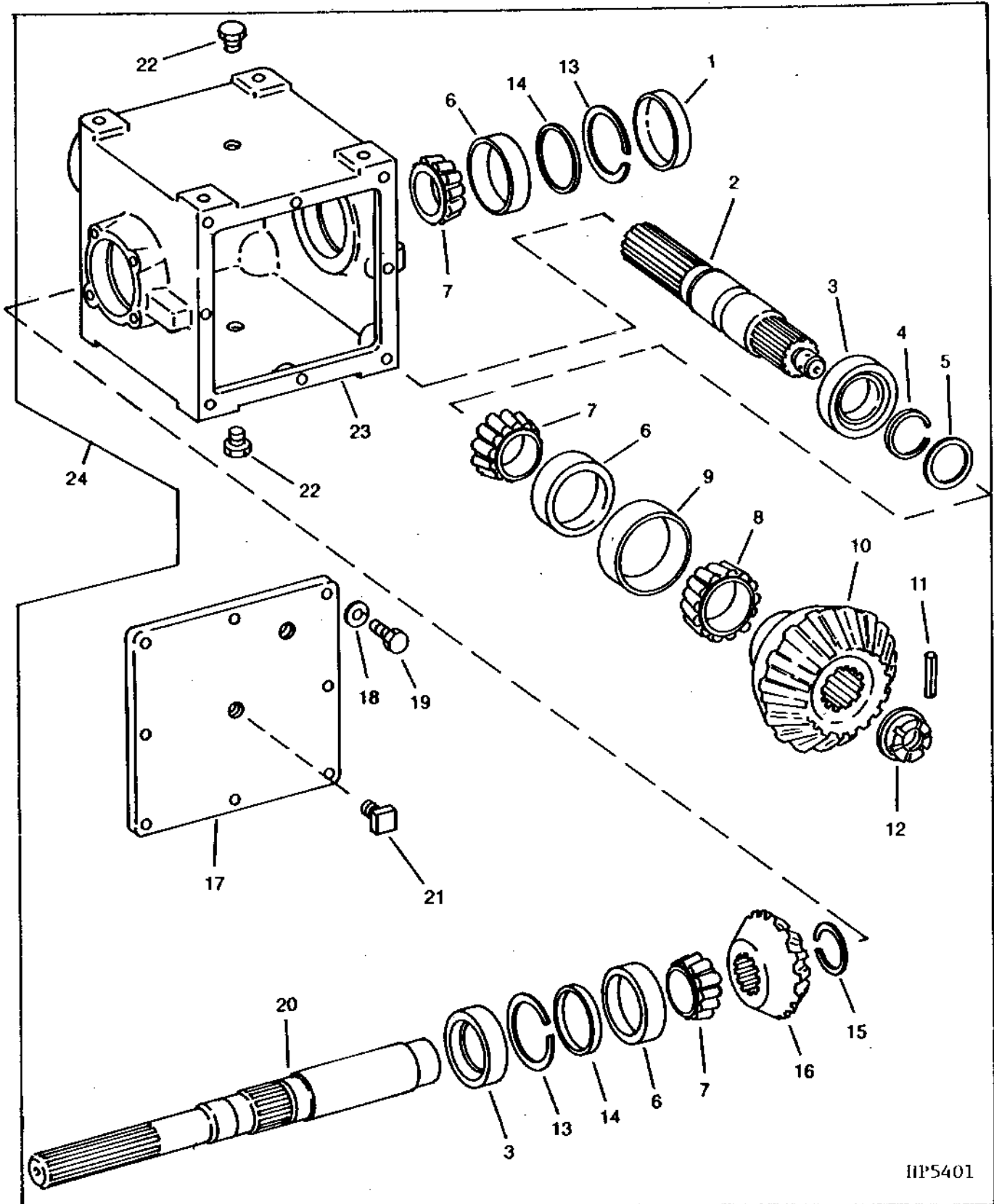
MODULE GEARBOX, SHAFT AND COUPLING - CONTINUED

KEY	PART NO.	PART NAME	QTY	SERIAL NO.	REMARKS
1	AH131320	SWITCH	1		
2	H168924	SCREW	2	0.190" X 1"	
3	AH135813	BRACKET	1		
4	AH139887	SHIELD	2		
5	AH140498	GEAR CASE	1	R.H.	
6	19M7837	SCREW	8	M12 X 110	
7	24H1850	WASHER	8	17/32" X 1-1/4" X 0.180"	
8	A25994	SPACER	8	9/16" X 1" X 3.100"	
9	E14814	BREATHER	2		
10	15H579	COUPLING	2	3/8"	
11	29H592	THREADED NIPPLE	2	1/2"	
12	15H602	ELBOW FITTING	2	1/2"	
13	19M7809	SCREW	1	M10 X 70	
14	H170427	SPLINED COUPLING	1	(SUB FOR H140083)	
15	14M7296	FLANGE NUT	1	M10	
16	AH140499	GEAR CASE	1	L.H.	
17	AH136599	UNIVERSAL JOINT	1		
18	19M7872	CAP SCREW	3	M12 X 25	
19	19M7864	SCREW	2	M8 X 12	
20	H168924	SCREW	2	0.190" X 1"	
21	H104794	ACTUATOR	1		
22	H104793	ACTUATOR	1		
23	15H511	PIPE BUSHING	2		
24	H145944	SHIELD	2		
25	03M7221	BOLT	4	M6 X 16	
	14M7303	FLANGE NUT	4	M6	
26	24H1849	WASHER	AR	13.487 X 25.400 X 0.914 MM (17/32" X 1" X 0.036")	
27	19M7787	SCREW	3	M12 X 20	
28	H147523	SHIELD	1		
29	14M7296	FLANGE NUT	4	M10	
30	03M7190	BOLT	4	M10 X 20	
31	H147522	SHIELD	1	L.H.	
32	H147521	SHIELD	1		

4E18

DRIVES

MODULE DRIVE GEARCASE - R.H.
HP5401 -UN-01JAN94



HP5401

4E19

DRIVES

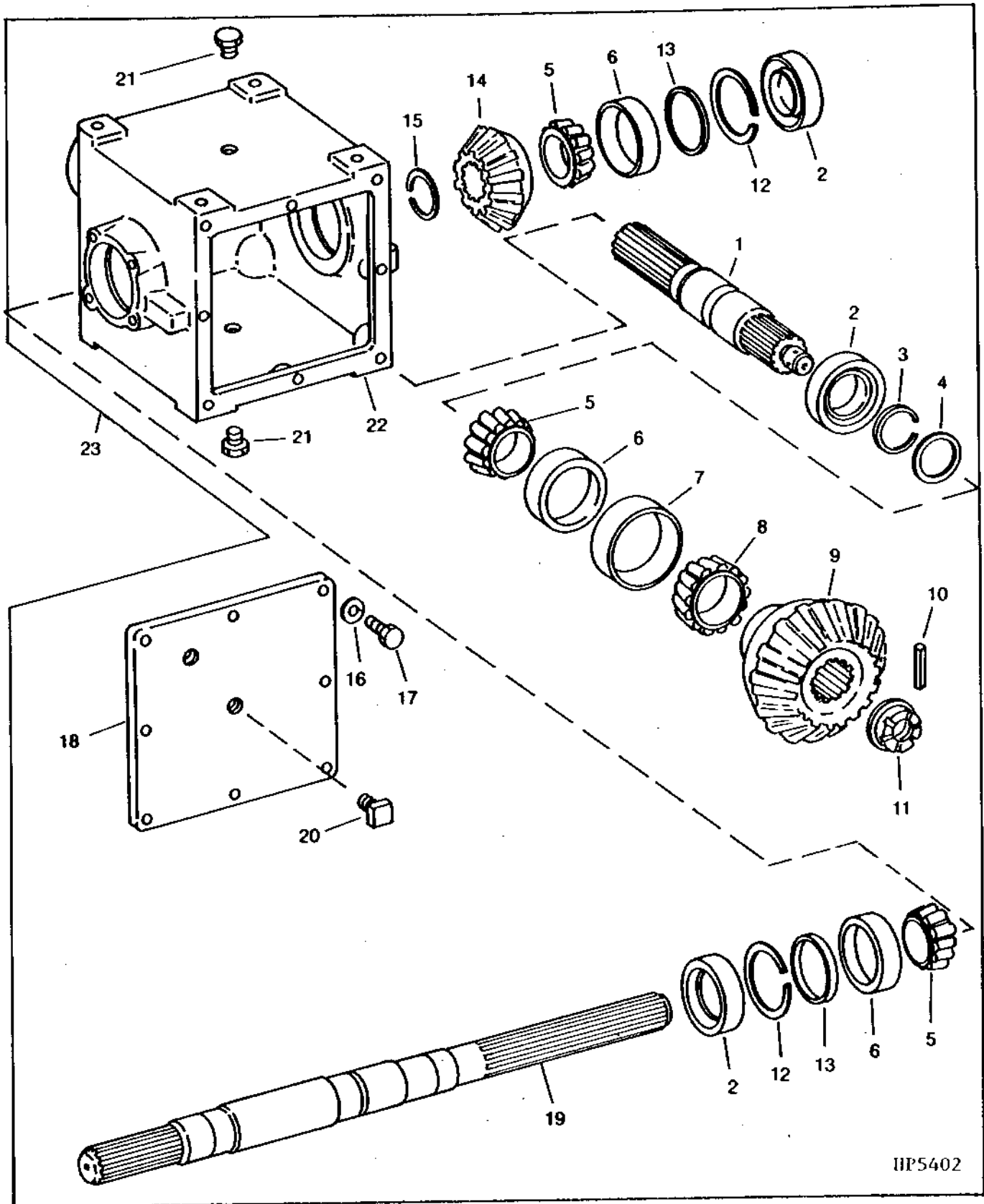
MODULE DRIVE GEARCASE - R.H. - CONTINUED

KEY	PART NO.	PART NAME	QTY	SERIAL NO.	REMARKS
1	CE16511	PLUG	1		
2	CE16592	DRIVE SHAFT	1		OUTPUT (USE WITH CE16510 SHIM AS REQUIRED)
3	DE17503	SEAL	2		
4	CE16595	SNAP RING	1		
5	CE16594	SHIM	1		
6	JD7441	BEARING	3		
7	JD8972	BEARING CONE	3		
8	JD7395	BEARING CONE	1		
9	JD7418	BEARING CUP	1		
10	CE16518	DRIVE SHAFT	1		24 TOOTH
11	34H270	SPRING PIN	1		
12	W34543	NUT	1		
13	CE16512	SNAP RING	2		
14	AH143432	KIT	1		SHIM
15	CE16544	SNAP RING	1		
16	CE16519	PINION	1		16 TOOTH
17	CE16596	CAP	1		
18	12M7065	LOCK WASHER	8		8.100 MM
19	19M7139	CAP SCREW	8		M8 X 20
20	CE16598	DRIVE SHAFT	1		INPUT
21	15H584	PIPE PLUG	1		OIL LEVEL
22	15H287	PIPE PLUG	2		OIL DRAIN
23	CE16591	GEAR CASE	1		SHELL
24	AH140498	GEAR CASE	1		COMPLETE
..	CE16510	SHIM	AR		

4E20

DRIVES

MODULE DRIVE GEARCASE - L.H.
HP5402 -UN-01JAN94



HP5402

4E21

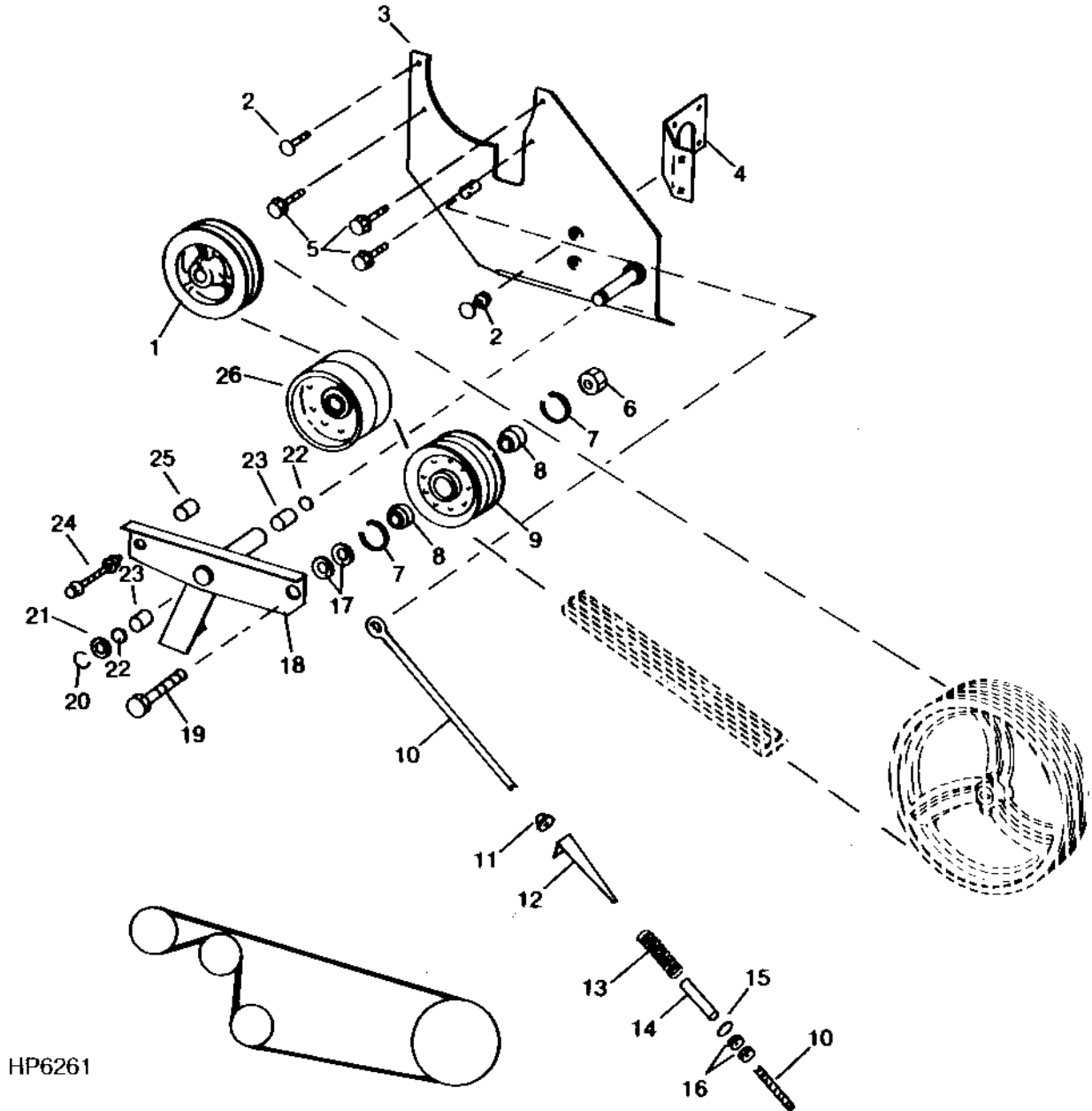
DRIVES

MODULE DRIVE GEARCASE - L.H. - CONTINUED

KEY	PART NO.	PART NAME	QTY	SERIAL NO.	REMARKS
1	CE16592	DRIVE SHAFT	1		OUTPUT (USE WITH CE16510 SHIM AS REQUIRED)
2	DE17503	SEAL	3		
3	CE16595	SNAP RING	1		
4	CE16594	SHIM	1		
5	JD8972	BEARING CONE	3		
6	JD7441	BEARING	3		
7	JD7418	BEARING CUP	1		
8	JD7395	BEARING CONE	1		
9	CE16518	DRIVE SHAFT	1		24 TOOTH
10	34H270	SPRING PIN	1		
11	W34543	NUT	1		
12	CE16512	SNAP RING	2		
13	AH143432	KIT	1		SHIM
14	CE16519	PINION	1		
15	CE16544	SNAP RING	1		
16	12M7065	LOCK WASHER	8		8.100 MM
17	19M7139	CAP SCREW	8		M8 X 20
18	CE16596	CAP	1		
19	CE16593	DRIVE SHAFT	1		INPUT
20	15H584	PIPE PLUG	1		OIL LEVEL
21	15H287	PIPE PLUG	2		OIL DRAIN
22	CE16591	GEAR CASE	1		SHELL
23	AH140499	GEAR CASE	1		COMPLETE
..	CE16510	SHIM	AR		

4E22

ENGINE GEARBOX TO MODULE DRIVES
HP6261 -UN-23JAN96



HP6261

4E23

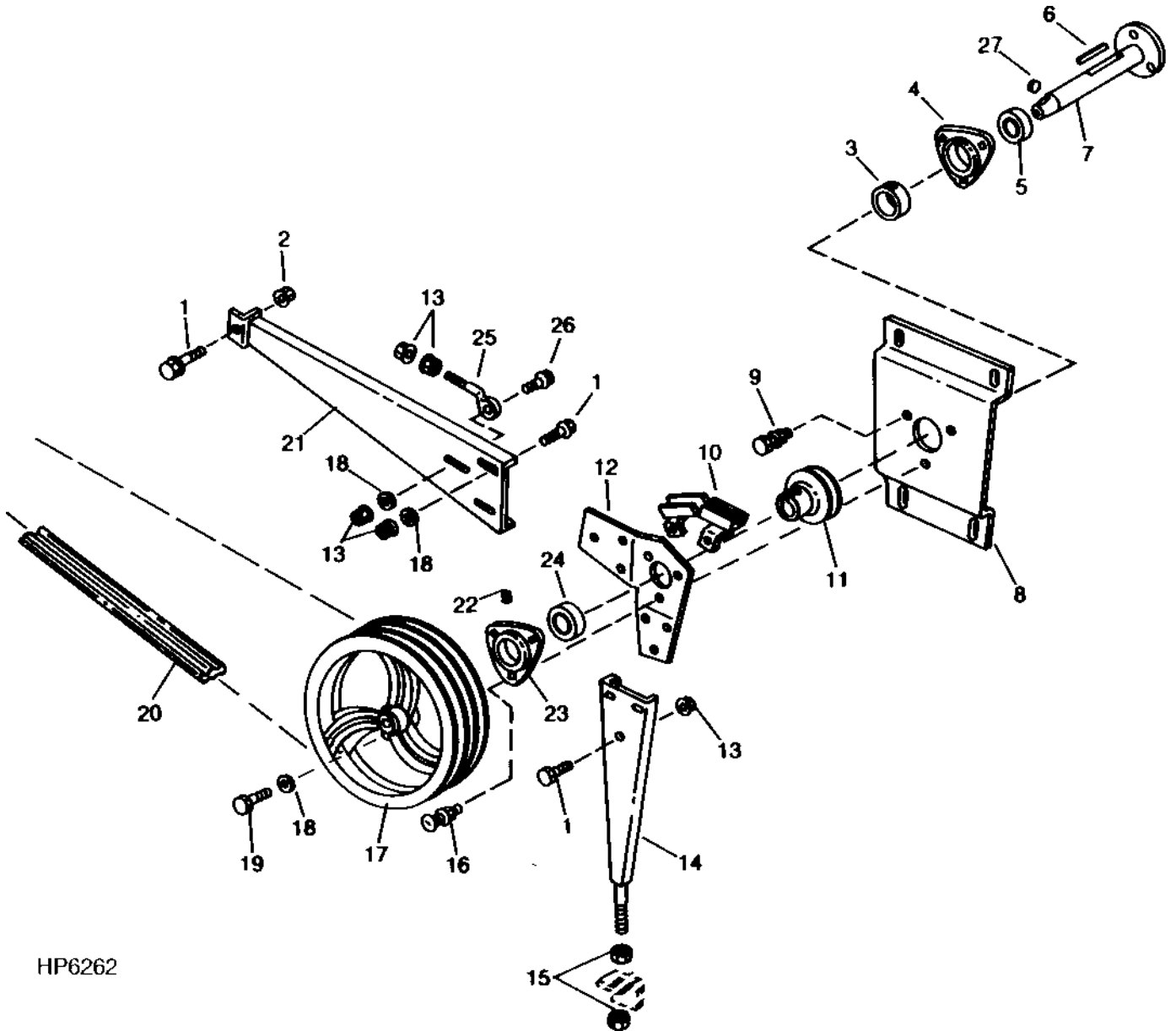
DRIVES

ENGINE GEARBOX TO MODULE DRIVES - CONTINUED

KEY	PART NO.	PART NAME	QTY	SERIAL NO.	REMARKS
1	H141399	SHEAVE	1		
2	03M7191	BOLT	3	M10 X 25	
	14M7296	FLANGE NUT	3	M10	
3	AH138752	PLATE	1		
4	H141445	SUPPORT	1		
5	19M7786	SCREW	3	M10 X 30	
	14M7296	FLANGE NUT	3	M10	
6	14H830	NUT	1	7/8"	
7	J13683	SNAP RING	2		
8	JD8662	BALL BEARING	2		
9	H147128	SHEAVE	1		
10	H143311	EYEBOLT	1		
11	H129208	PIVOT	1		
12	H116862	GAUGE	1		
13	H86783	SPRING	1		
14	TY22329	BULK HOSE	AR		
15	24H1373	WASHER	1	21/32" X 1-9/16" X 0.180"	
16	14M7276	NUT	2	M16	
17	24H1429	WASHER	2		
18	AH137195	ARM	1		
19	19H2279	CAP SCREW	1		
20	P46402	SNAP RING	1		
21	24M7091	WASHER	1	26 X 44 X 4 MM	
22	AA5607R	SEAL	2		
23	H99147	BUSHING	2	(SUB H171061)	
	H171061	BEARING	2		
24	19M7819	SCREW	1	M12 X 90	
	14M7299	FLANGE NUT	1	M12	
25	H141448	BUSHING	1		
26	AH93318	IDLER	1		

4E24

ENGINE GEARBOX TO MODULE DRIVES - CONTINUED
HP6262 -UN-23JAN96



HP6262

4E25

DRIVES

ENGINE GEARBOX TO MODULE DRIVES - CONTINUED

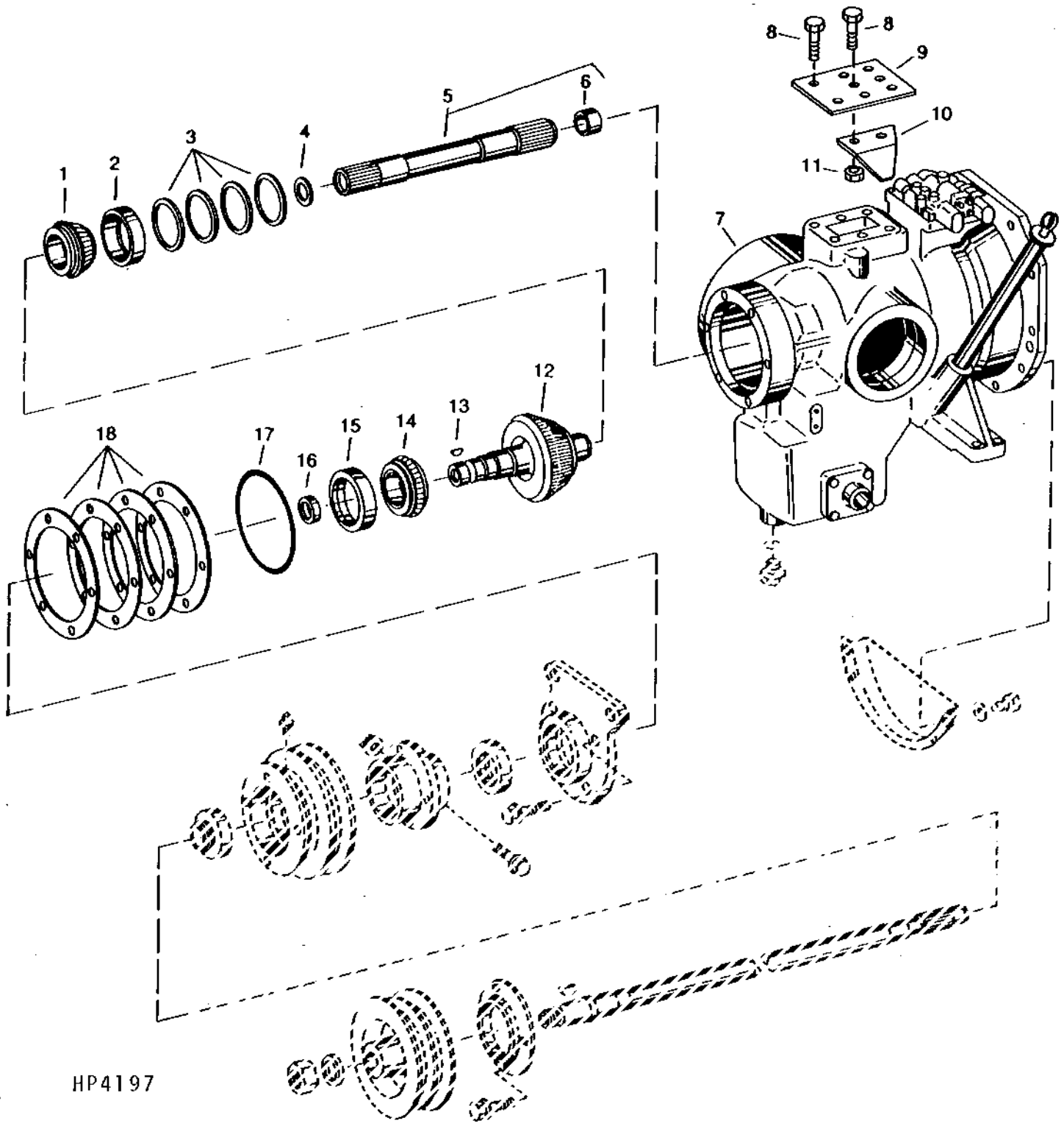
KEY	PART NO.	PART NAME	QTY	SERIAL NO.	REMARKS
1	19M7789	SCREW	2	M12 X 30	
2	14M7299	FLANGE NUT	1	M12	
3	JD9201	ECCENTRIC LOCKING COLLAR	1		
4	H93927	HOUSING	1		
5	JD9276	BALL BEARING	1		
6	SHAFT KEY	1	(MAKE FROM H64376 KEY STOCK)	
7	H147229	SHAFT	1		
8	H155758	PLATE	1		
9	19M7897	SCREW	3	M8 X 35	
10	AH146394	TROUGH	1		
11	H143745	SHEAVE	1	STRAW CHOPPER	
	AH137260	SHEAVE	1	STRAW SPREADER (ILLUSTRATED)	
	AH148385	HOUSING	1	FINE CUT CHOPPER	
12	H144524	PLATE	1		
13	14M7299	FLANGE NUT	7	M12	
14	AH135958	BRACE	1		
15	14M7300	FLANGE NUT	2	M20	
16	03M7193	BOLT	3	M10 X 35	
	14M7299	FLANGE NUT	3	M12	
17	H146292	SHEAVE	1	760 RPM STANDARD	
	H147294	SHEAVE	1	500 RPM CORN	
18	T20217	WASHER	3	12.954 X 43.942 X 6.350 MM (0.510" X 1.730" X 1/4")	
19	19M7785	SCREW	1	M10 X 25	
20	H141429	BELT	1		
21	AH135952	BRACE	1		
22	JD7788	LUBRICATION FITTING	1		
23	H144383	HOUSING	1		
24	DC30395	BALL BEARING	1		
25	H116065	EYEBOLT	1		
26	19M8112	SCREW	1	M12 X 55	
27	26M6787	SHAFT KEY	1		

4F1

DRIVES

ENGINE GEARCASE (STRAW CHOPPER, UNLOADING AND SEPARATOR DRIVE GEAR)

HP4197 -UN-01JAN94



HP4197

4F2

DRIVES

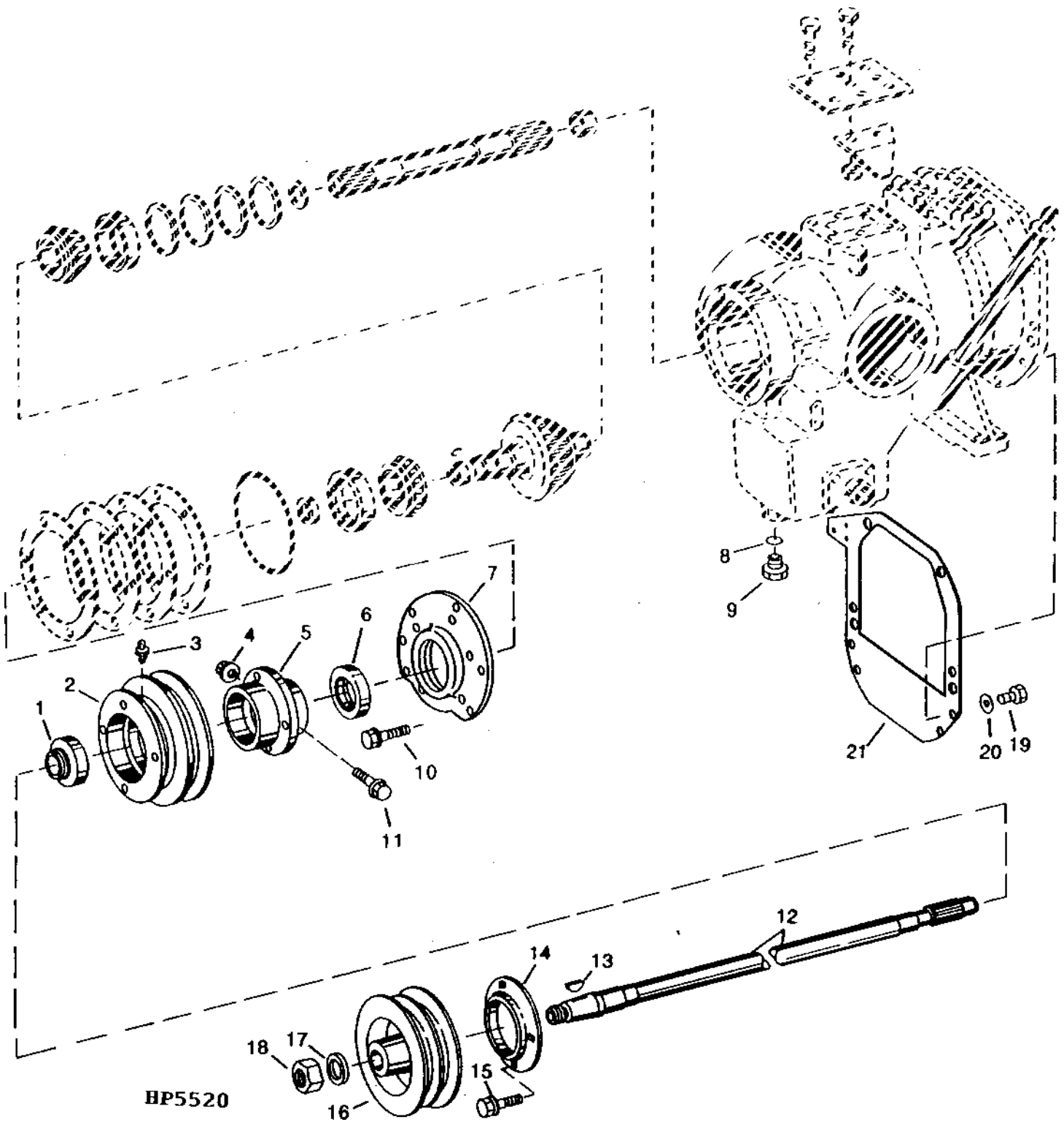
**ENGINE GEARCASE - CONTINUED
(STRAW CHOPPER, UNLOADING AND SEPARATOR DRIVE GEAR)**

KEY	PART NO.	PART NAME	QTY	SERIAL NO.	REMARKS
1	JD9091	BEARING CONE	1		
2	JD9146	BEARING CUP	1		
3	L29041	SHIM	AR	0.08 (MM)	.003 STEEL
	L29042	SHIM	AR	0.13 (MM)	.005 STEEL
	L29043	SHIM	AR	0.25 (MM)	.010 STEEL
	L29044	SHIM	AR	0.05 (MM)	.020 STEEL
4	P46770	SNAP RING	1		
5	AH139118	SHAFT	1		
6	R43305	BUSHING	1		
7	H126587	GEAR CASE	1		
8	19M7866	SCREW	8	M8 X 20	
9	H127159	COVER	1	USE TY15130	
10	H130140	TROUGH	1		
11	14M7396	LOCK NUT	2	M8	
12	BEVEL GEAR DRIVE	1	37 TEETH, (ORDER AH125207)	
13	26H105	SHAFT KEY	1	3/8" X 2-1/8"	
14	JD8162	BEARING CONE	1		
15	JD8206	BEARING CUP	1		
16	AT28975	SEAL	1		
17	H125838	O-RING	1		
18	H125740	SHIM	AR	0.08 (MM)	.003 PLASTIC
	H125741	SHIM	AR	0.13 (MM)	.005 STEEL
	H125742	SHIM	AR	0.25 (MM)	.010 STEEL
	H125743	SHIM	AR	0.50 (MM)	.020 STEEL
..	TY15130	SEALANT	1	SIZE- 3 OZ. RTV (CANADA PART NO TY9484)	
..	AH125207	BEVEL GEAR	1	37 AND 56 TEETH	
..	AH139323	GEAR CASE	1		

4F3

DRIVES

ENGINE GEARCASE
(STRAW CHOPPER, UNLOADING AND SEPARATOR DRIVE GEAR)
HP5520 -UN-01JAN94



4F4

DRIVES

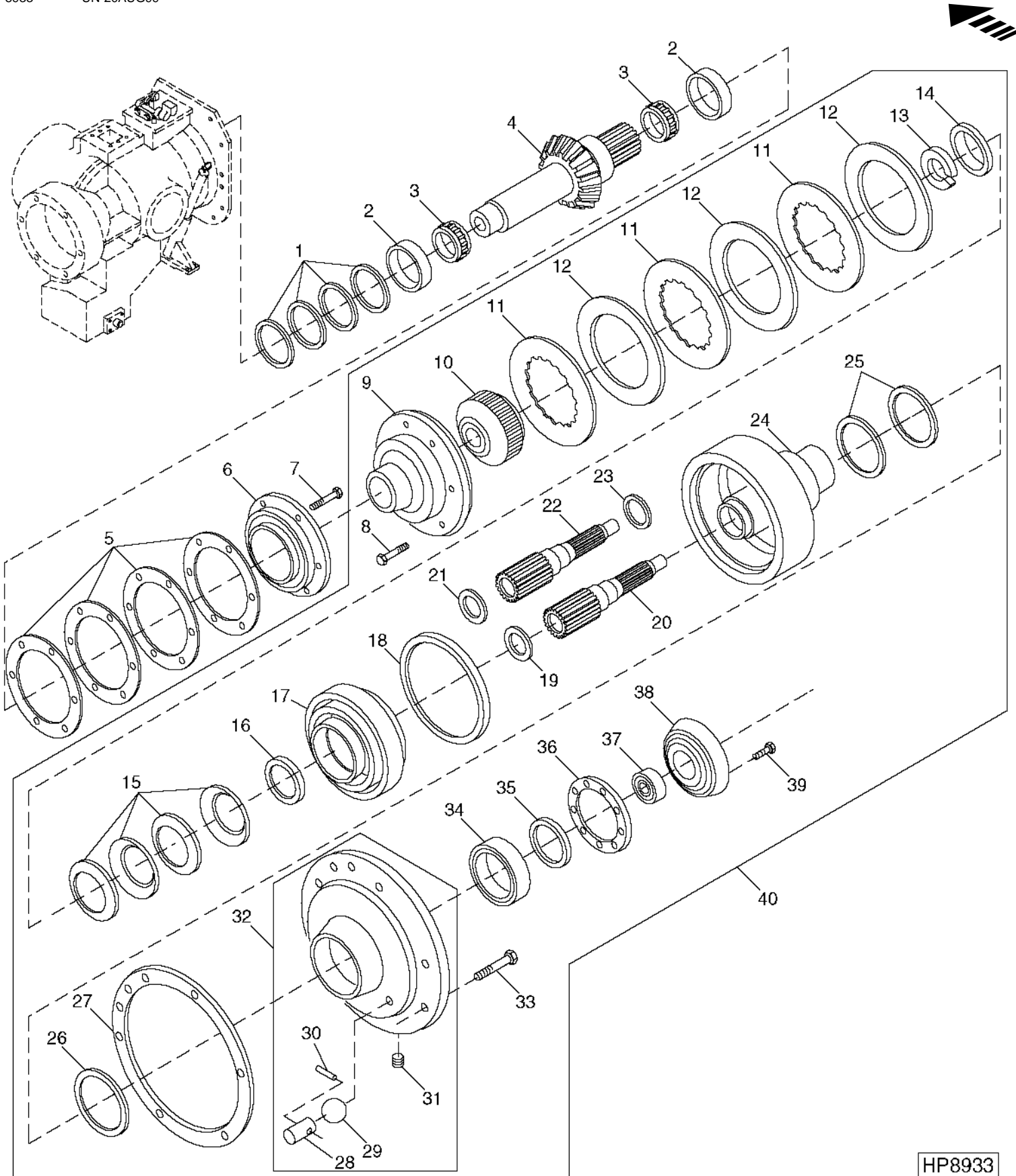
ENGINE GEARCASE - CONTINUED
(STRAW CHOPPER, UNLOADING AND SEPARATOR DRIVE GEAR)

KEY	PART NO.	PART NAME	QTY	SERIAL NO.	REMARKS
1	AH151653	BALL BEARING	1		
2	H141399	SHEAVE	1		
3	JD7797	LUBRICATION FITTING	1		
4	14M7296	FLANGE NUT	2	M10	
5	H101878	HUB	1		
6	AH117643	SEAL	1		
7	H144834	HOUSING	1		
8	R26906	O-RING	1		
9	R27474	DRAIN PLUG	1		
10	19M7835	SCREW	6	M10 X 35	
11	19M7812	SCREW	2	M10 X 100	
12	H129934	SHAFT	1		
13	26M6787	SHAFT KEY	1	10 X 32 MM	
14	H75385	PRESSED FLANGED HOUSING	1		
15	19M8306	SCREW	4	M12 X 50	
16	H129935	SHEAVE	1		
17	24H1481	WASHER	1	1-5/32" X 2" X 0.134"	
18	H82619	LOCK NUT	1		
19	19M7866	SCREW	1	M8 X 20	
20	24M7055	WASHER	4		
21	H145315	PLATE	1	(SUB H170303)	
	H170303	COVER	1		
..	TY15130	SEALANT	1	SIZE- 3 OZ. RTV (CANADA PART NO TY9484)	
..	AH125207	BEVEL GEAR	1	34 AMD 56 TEETH	
..	AH139323	GEAR CASE	1		

4F5

DRIVES

ENGINE GEARCASE
(SEPARATOR DRIVE, WET-CLUTCH AND PUMP DRIVE SHAFT)
HP8933 -UN-20AUG99



HP8933

4F6

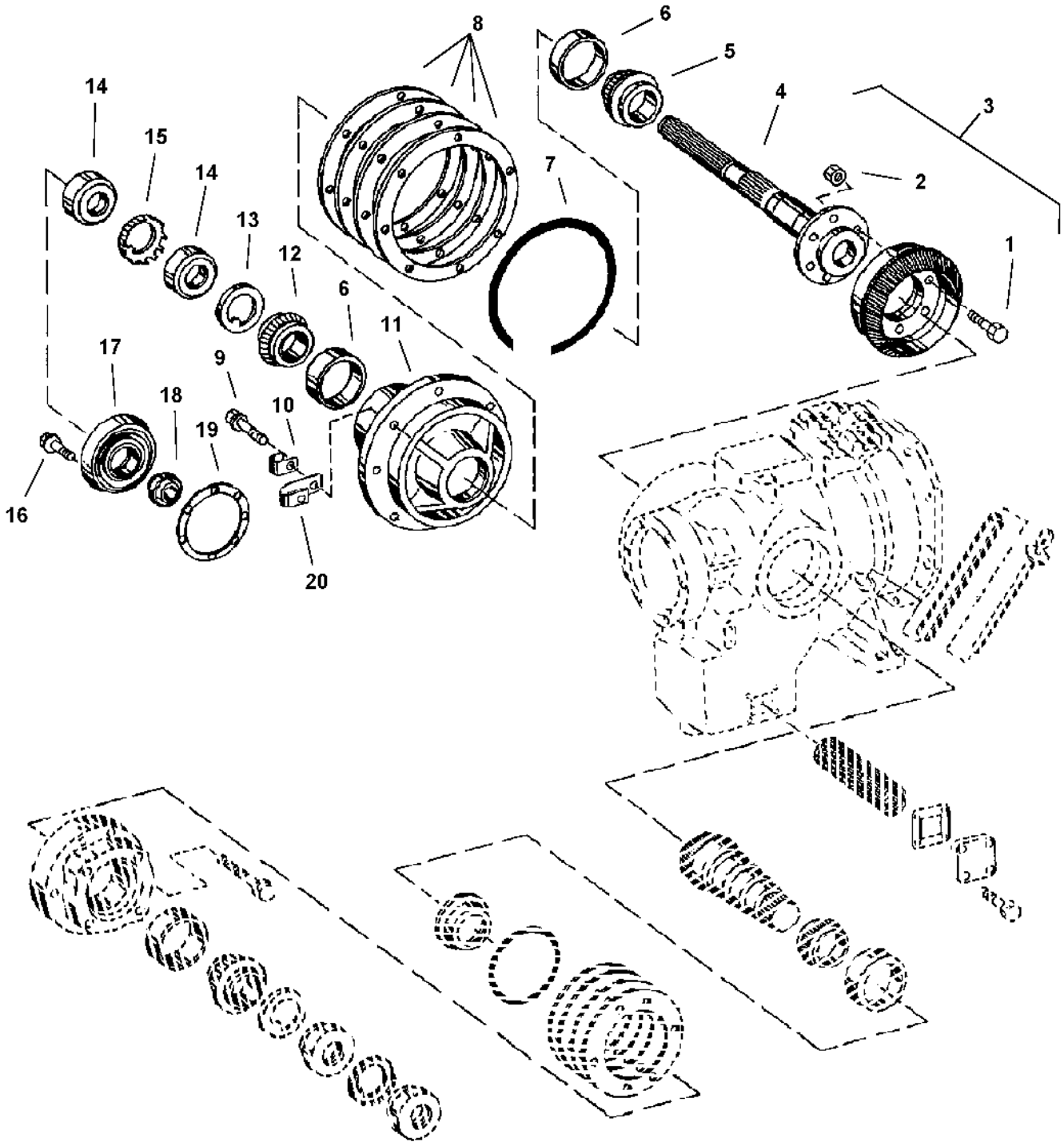
DRIVES

ENGINE GEARCASE - CONTINUED
(SEPARATOR DRIVE, WET-CLUTCH AND PUMP DRIVE SHAFT)

KEY	PART NO.	PART NAME	QTY	SERIAL NO.	REMARKS
1	H119028	SHIM	AR	0.08 (MM) .003 PLASTIC	
	H119029	SHIM	AR	0.13 (MM) .005 STEEL	
	H119030	SHIM	AR	0.25 (MM) .010 STEEL	
	H119031	SHIM	AR	0.50 (MM) .020 STEEL	
2	JD8206	BEARING CUP	2		
3	JD8162	BEARING CONE	2		
4	GEAR	1		(ORDER AH125293) 33 TEETH
5	H125740	SHIM	AR	0.08 (MM) .003 PLASTIC	
	H125741	SHIM	AR	0.13 (MM) .005 STEEL	
	H125742	SHIM	AR	0.25 (MM) .010 STEEL	
	H125743	SHIM	AR	0.50 (MM) .020 STEEL	
6	H125733	HOUSING	1		
7	19M7835	SCREW	6	M10 X 35	
8	19M7786	SCREW	6	M10 X 30	
9	H144762	HUB	1		(USE WITH 3 CLUTCH DISK)
10	DE19018	HUB	1		(SUB FOR AH138660)
11	AH125490	CLUTCH DISK	3		
12	T70309	PLATE	3		
13	T50409	SNAP RING	1		
14	T49676	RETAINER	1		
15	T50415	DISK SPRING	4		
16	T62508	WASHER	1		
17	H128937	PISTON	1		
18	T62509	WASHER	1		
19	H132400	PISTON RING	1		G.B. S/N CEGB 111860
20	H148768	SHAFT	1		G.B. S/N CEGB 111860
21	40M7090	SNAP RING	1		G.B. S/N CEGB 111861
22	CE18180	DRIVE SHAFT	1		G.B. S/N CEGB 111861
23	CE17940	SNAP RING	1		G.B. S/N CEGB 111861
24	CE18181	DRUM	1		(ORDER CE18180, T14323 AND 40M7090) (SUB FOR H143426) (G.B. S/N CEGB 111861)
25	R77764	RING	2		
26	R76937	WASHER	1		
27	H125354	GASKET	1		
28	R68824	SEAT	1		
29	400R	BALL	1		
30	H111474	PIN	1		
31	15H559	PIPE PLUG	1		USE TY9374
32	AH120737	HOUSING	1		
33	19M7835	SCREW	6	M10 X 35	
34	JD8676	BALL BEARING	1		
35	T14323	SNAP RING	1		GEARBOX S/N CEGB 111861 - AND UP
36	H125356	GASKET	1		
37	AH158595	SEAL	1		(SUB FOR AH142870)
38	H148769	HOUSING	1		
39	19M7863	SCREW	8	M6 X 25	
40	DE18923	CLUTCH	1		
..	TY9374	SEALANT	1		SIZE- 6 ML
..	AH125293	GEAR	1		
..	AH139323	GEAR CASE	1		

4F7

ENGINE GEARCASE
(SEPARATOR AND PUMP DRIVE)
HP7244 -UN-07NOV97



HP7244

4F8

DRIVES

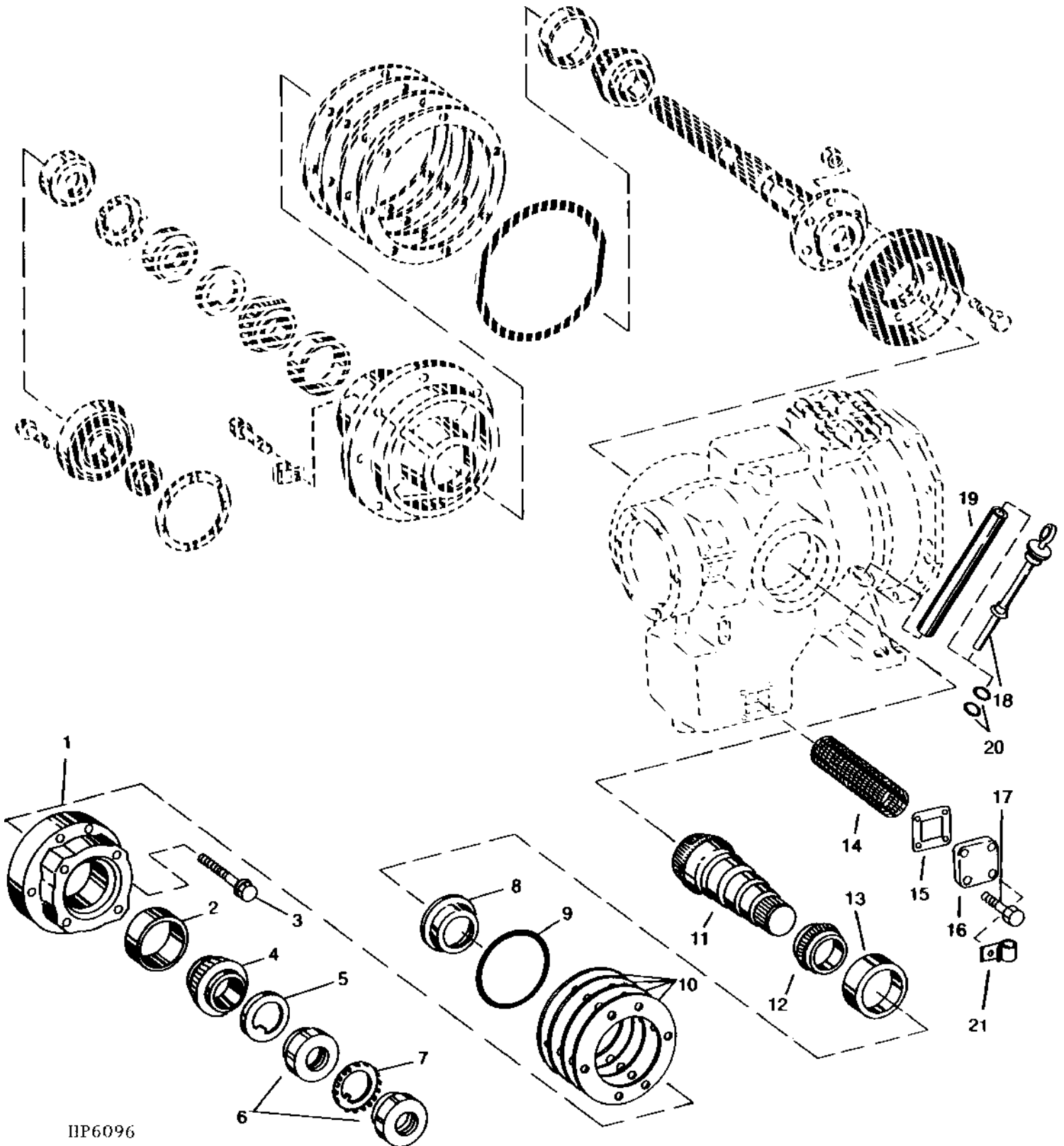
**ENGINE GEARCASE - CONTINUED
(SEPARATOR AND PUMP DRIVE)**

KEY	PART NO.	PART NAME	QTY	SERIAL NO.	REMARKS
1	H110178	SCREW	6		USE TY9371
2	14M7274	NUT	6		M10
3	GEAR	1		56 TEETH, (ORDER AH125207)
4	H148770	HUB	1		
5	JD8162	BEARING CONE	1		
6	JD8206	BEARING CUP	2		
7	H125839	O-RING	1		
8	H125841	SHIM	AR		0.08 (MM) .003 PLASTIC
	H125842	SHIM	AR		0.13 (MM) .005 STEEL
	H125843	SHIM	AR		0.25 (MM) .010 STEEL
	H125844	SHIM	AR		0.50 (MM) .020 STEEL
9	19M7835	SCREW	7		M10 X 35
10	AH90990	CLIP	1		
11	H125840	HOUSING	1		
12	JD9007	BEARING CONE	1		
13	H110800	LOCK WASHER	1		
14	H122650	LOCK NUT	2		
15	H110801	LOCK WASHER	1		
16	19M7863	SCREW	8		M6 X 25
17	H148769	HOUSING	1		
18	AH142870	SEAL	1		-5OCT98
	AH158595	SEAL	1	5OCT98-	
19	H125356	GASKET	1		
20	AH117301	CLAMP	1		

NOTE: SERIAL NUMBERS REFER TO GEARCASE SERIAL NUMBER

4F9

ENGINE GEARCASE
(SEPARATOR AND PUMP DRIVE)
HP6096 -UN-28JUN95



HP6096

4F10

DRIVES

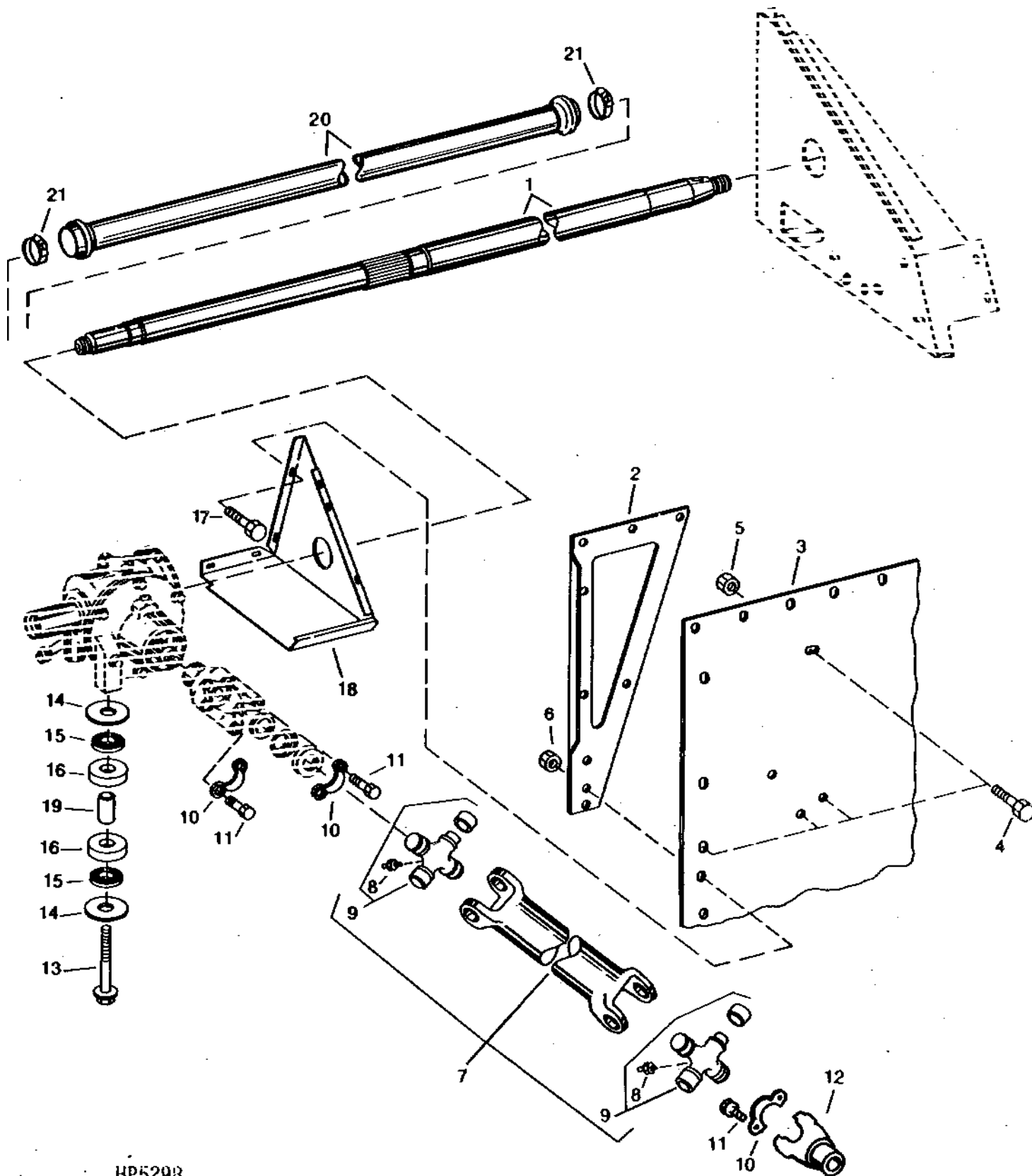
**ENGINE GEARCASE - CONTINUED
(SEPARATOR AND PUMP DRIVE)**

KEY	PART NO.	PART NAME	QTY	SERIAL NO.	REMARKS
1	H125738	HOUSING	1		
2	JD8206	BEARING CUP	1		
3	19M7805	SCREW	5		
4	JD9007	BEARING CONE	1		
5	H110800	LOCK WASHER	1		
6	H122650	LOCK NUT	2		
7	H110801	LOCK WASHER	1		
8	H125837	OIL CUP	1		
9	R72032	O-RING	1		
10	H125734	SHIM	AR		0.08 (MM) .003 PLASTIC
	H125735	SHIM	AR		0.13 (MM) .005 STEEL
	H125736	SHIM	AR		0.25 (MM) .010 STEEL
	H125737	SHIM	AR		0.50 (MM) .020 STEEL
11	GEAR	1		22 TEETH, USED WITH ENGINE & RING & PINION FINAL DRIVES - ORDER AH125293
12	JD9075	BEARING CONE	1		
13	JD9132	BEARING CUP	1		
14	R53169	SCREEN	1		
15	H126792	GASKET	1		
16	H126793	COVER	1		
17	19M7868	SCREW	4		M8 X 30
18	AH168683	DIPSTICK	1		(SUB FOR AH137310)
19	H132995	TUBE	1		USE TY9371
20	A4730R	O-RING	2		
21	AH90990	CLIP	2		
..	TY9371	ADHESIVE	1		6 ML HIGH STRENGTH
..	AH125293	GEAR	1		
..	AH139321	GEAR CASE	1		(SUB FOR AH134861) USED WITH ENGINE WITH RING & PINION FINAL DRIVE - LESS DIPSTICK

4F11

DRIVES

DRIVE SHAFT, GEARCASE MOUNTING AND PRIMARY COUNTERSHAFT
HP5298 -UN-01JAN94



HP5298

4F12

DRIVES

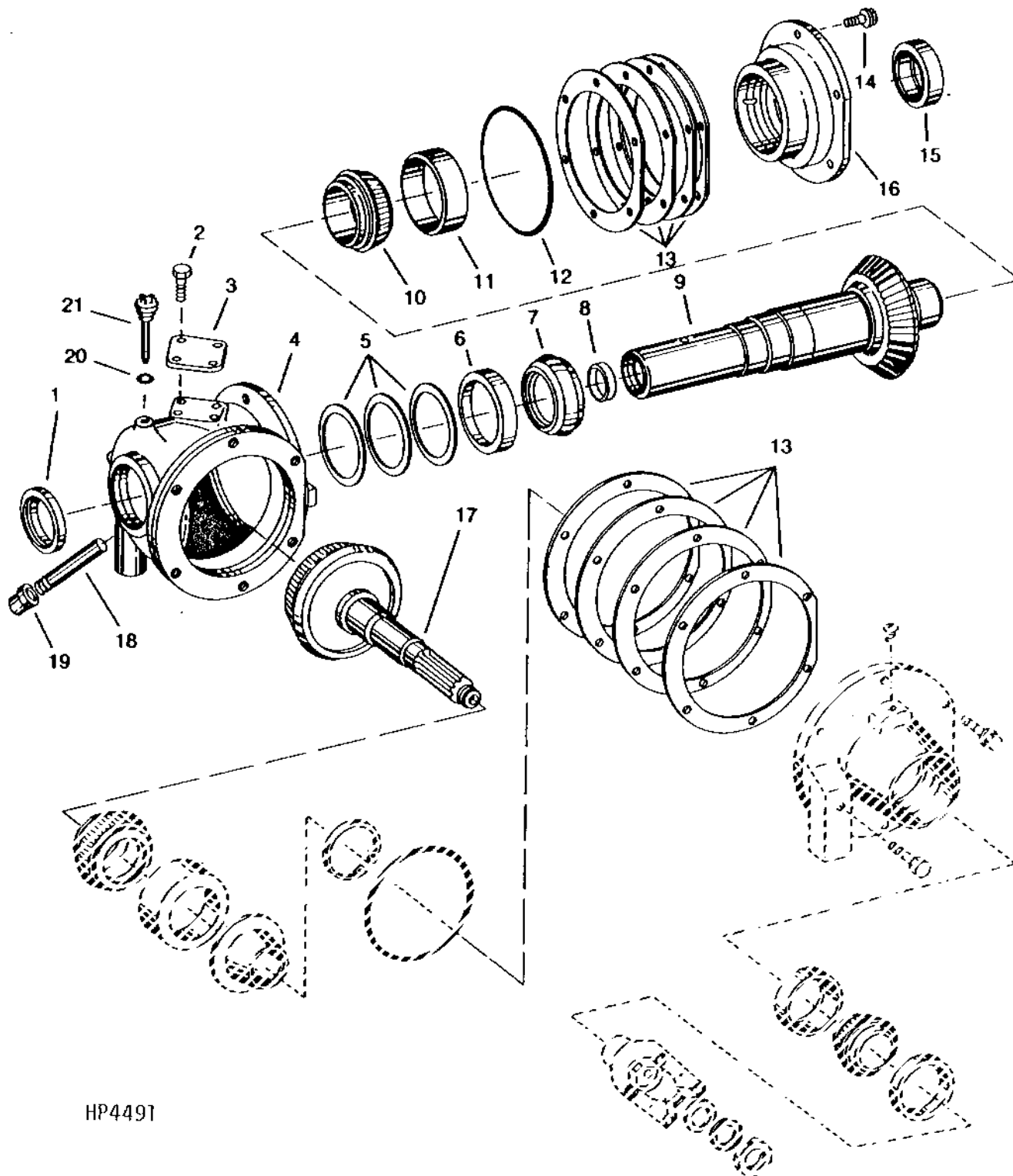
DRIVE SHAFT, GEARCASE MOUNTING AND PRIMARY COUNTERSHAFT - CONTINUED

KEY	PART NO.	PART NAME	QTY	SERIAL NO.	REMARKS
1	H147483	SHAFT	1		
2	H131228	ANGLE	1		
3	H147911	SHEET	1		
4	19M7866	SCREW	4	M8 X 20	
5	14M7298	FLANGE NUT	4	M8	
6	14M7296	FLANGE NUT	5	M10	
7	AH125688	DRIVE SHAFT	1		
8	JD7797	LUBRICATION FITTING	2		
9	AH122018	UNIVERSAL JOINT	2		
10	R85168	CLAMP	4		
11	R85169	SELF-LOCKING SCREW	8		
12	H121681	YOKE	1		
13	19M7827	SCREW	2	M16 X 80	
14	H163726	WASHER	2		
15	H148132	BUSHING	4		
16	H148133	RETAINER	1		
17	19M7785	SCREW	5	M10 X 25	
18	AH135565	SHEET	1		
19	H148134	SPACER	2		
20	AH163802	KIT	1	(SUB FOR AH141389) INCLUDES (2) TY22494 CLAMPS	
21	TY22494	HOSE CLAMP	2		

4F13

DRIVES

PRIMARY COUNTERSHAFT GEARCASE HP4491 -UN-01JAN94



HP4491

4F14

DRIVES

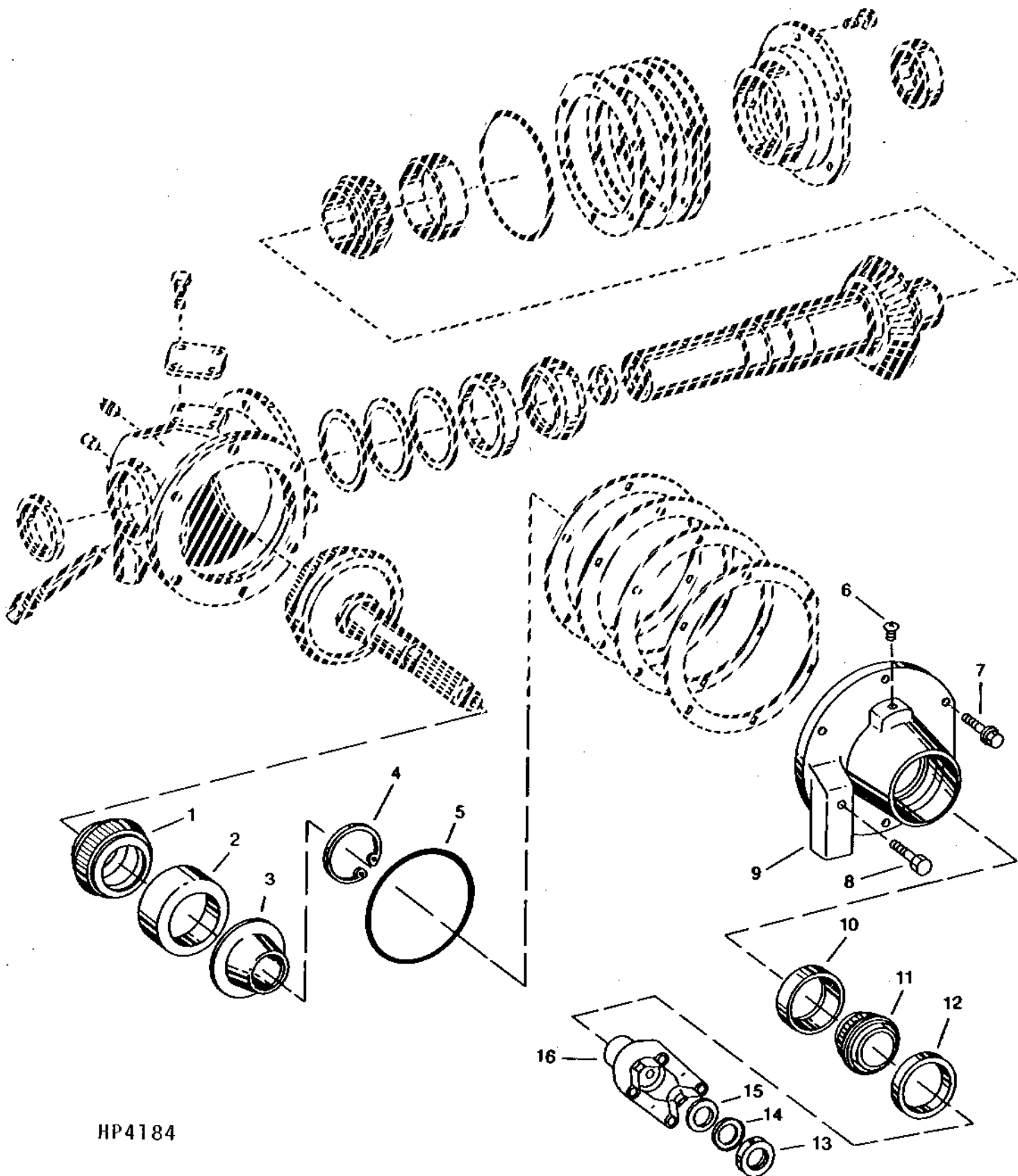
PRIMARY COUNTERSHAFT GEARCASE - CONTINUED

KEY	PART NO.	PART NAME	QTY	SERIAL NO.	REMARKS
1	AH137772	SEAL	1		
2	19M7866	SCREW	4		
3	H75267	COVER	1		
4	H145001	GEAR CASE	1		
5	AT146272	SHIM	1		
6	JD8210	BEARING CUP	1		
7	JD8164	BEARING CONE	1		
8	T69027	SEAL	1		
9	GEAR	1	(SUB AH125243)	41 TOOTH
10	JD7378	BEARING CONE	1		
11	JD7292	BEARING CUP	1		
12	H125838	O-RING	1		177.165 X 5.334 MM (6.975" X 0.210")
13	H114226	SHIM	2		0.080 MM (0.003") USE ONLY ONE PER SIDE
	H114227	SHIM	AR		0.130 MM (0.005")
	H114228	SHIM	AR		0.250 MM (0.010")
	H118927	SHIM	AR		0.500 MM (0.020")
14	19M7786	SCREW	6		M10 X 30
15	E56866	SEAL	1		
16	H126564	HOUSING	1		
17	GEAR	1	(SUB AH125243)	41 TOOTH
18	29H217	THREADED NIPPLE	1		1/2"
19	15H3	FITTING	1		1/2"
20	R26375	O-RING	1		
21	AH141022	DIPSTICK	1		
..	AH125243	GEAR	1		GEARS, MATCHED SET WITH SHAFT
..	T43512	SEALANT	1		MEDIUM STRENGTH - 50 ML, CANADA NO. TY9477
..	H116160	SEALANT	1		6 ML, (3 OZ.), TUBE
..	TY15130	SEALANT	1		6 ML, (3 OZ.) CANADA NO. TY9484
..	AH141049	GEAR CASE	1		

4F15

DRIVES

PRIMARY COUNTERSHAFT GEARCASE
HP4184 -UN-01JAN94



HP4184

4F16

DRIVES

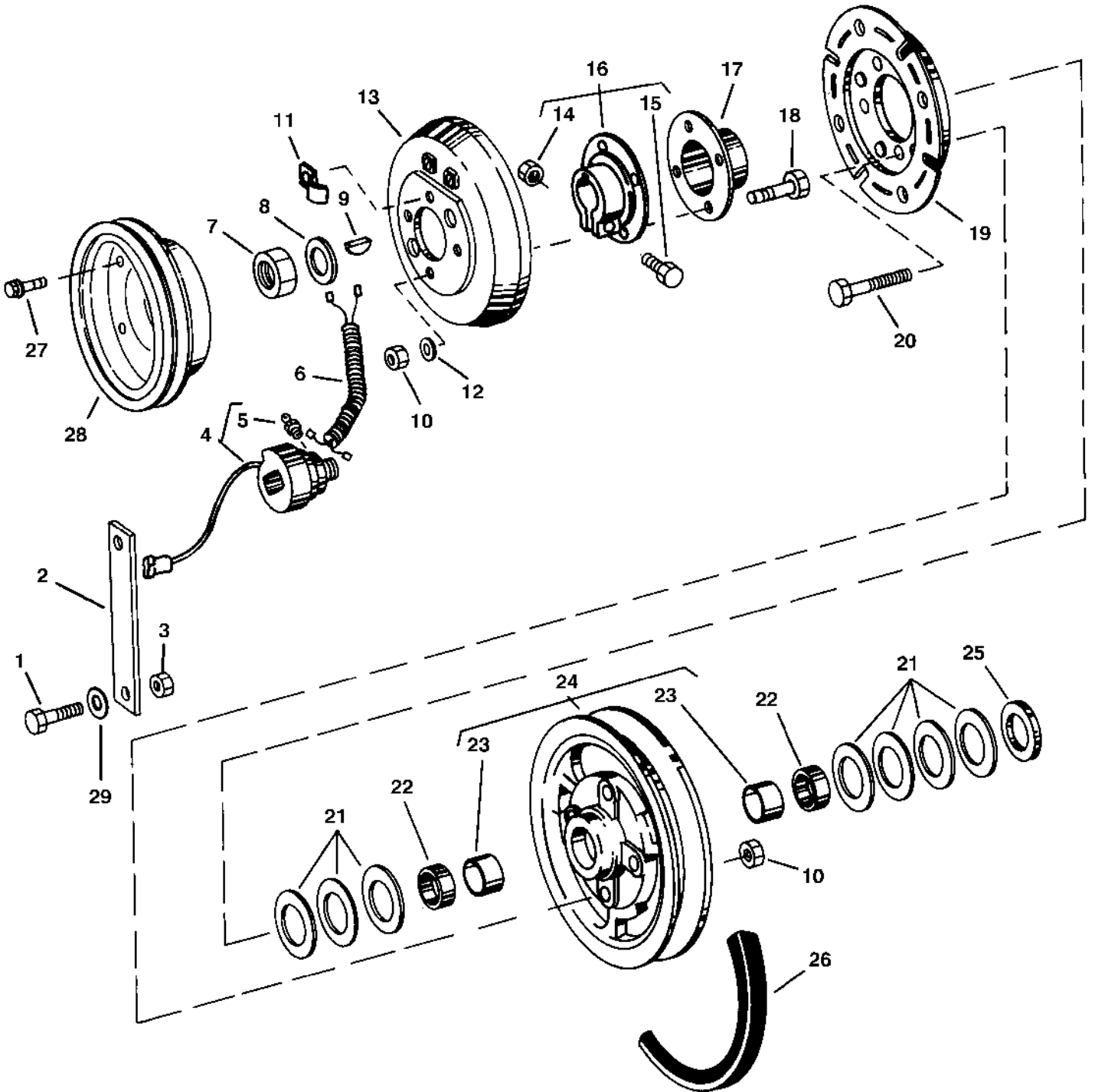
PRIMARY COUNTERSHAFT GEARCASE - CONTINUED

KEY	PART NO.	PART NAME	QTY	SERIAL NO.	REMARKS
1	JD9078	BEARING CONE	1		
2	JD8255	BEARING CUP	1		
3	H129844	RETAINER	1		
4	T41201	SNAP RING	1	-14SE98	
5	H125838	O-RING	1		
6	U14273	BREATHER	1		
7	19M7786	SCREW	5		M10 X 30
8	19M7807	SCREW	1		M10 X 60
9	H144122	HOUSING	1	-14SE98	(SUB CE18400)
	CE18400	HOUSING	1	14SE98-	
10	JD7418	BEARING CUP	1		
11	JD7395	BEARING CONE	1		
12	AH137771	SEAL	1		
13	N139123	NUT	1		
14	H118920	LOCK WASHER	1		
15	H118919	LOCK WASHER	1		
16	H121681	YOKE	1		
..	AH125243	GEAR	1		GEARS, MATCHED SET WITH SHAFT
..	T43512	SEALANT	1		MEDIUM STRENGTH- 50 ML, CANADA NO. TY9477
..	H116160	SEALANT	1		
..	TY15130	SEALANT	1		
..	AH141049	GEAR CASE	1		

4F17

DRIVES

HEADER ELECTROMAGNETIC CLUTCH
HP6612 -UN-24JAN97



HP6612

4F18

DRIVES

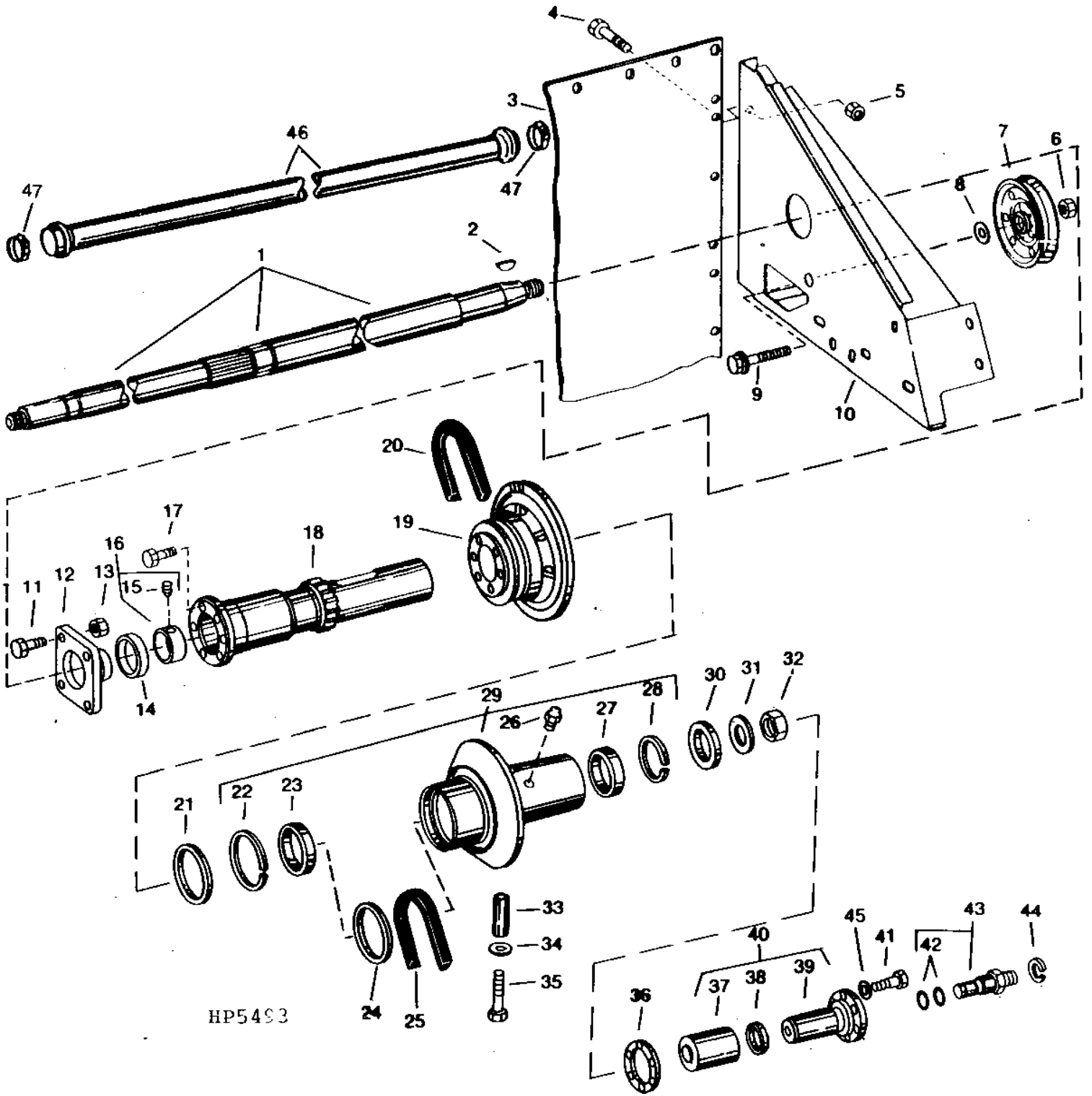
HEADER ELECTROMAGNETIC CLUTCH - CONTINUED

KEY	PART NO.	PART NAME	QTY	SERIAL NO.	REMARKS
1	19M7775	SCREW	1		M6 X 16
2	H134773	STRAP	1		
3	14M7303	FLANGE NUT	1		M6
4	AH130582	DEVICE	1	-15NO99	
	AH162068	KIT	1	16NO99-	
5	JD7797	LUBRICATION FITTING	1		
6	AH134207	WIRING HARNESS	1		
7	H82620	LOCK NUT	1		
8	24H1668	WASHER	1		1-17/64" X 2-1/4" X 0.134"
9	26H105	SHAFT KEY	1		
10	14M7299	FLANGE NUT	8		M12
11	AH77279	CLIP	1		
12	24H1789	WASHER	1		17/32" X 1-1/4" X 0.105"
13	AH121658	FIELD WINDING COIL	1		
14	14M7296	FLANGE NUT	1		M10
15	19M8292	SCREW	1		M10 X 50
16	AH136052	HUB	1		
17	H129676	RING	1		
18	19M7817	SCREW	8		M12 X 70
19	AH96244	ARMATURE	1		
20	19M8306	SCREW	4		M12 X 50
21	H158790	SHIM	AR		
22	AB5070R	SEAL	2		
23	H126716	BUSHING	2		
24	AH139936	SHEAVE	1		
25	H126715	WASHER	1		
26	H151952	BELT	1		
27	19M7817	SCREW	4		M12 X 70
28	H155825	SHEAVE	1		
29	24M7207	WASHER	1		

4F19

DRIVES

PRIMARY COUNTERSHAFT, SUPPORTS AND VARIABLE SHEAVE
HP5493 -UN-01JAN94



HP5493

4F20

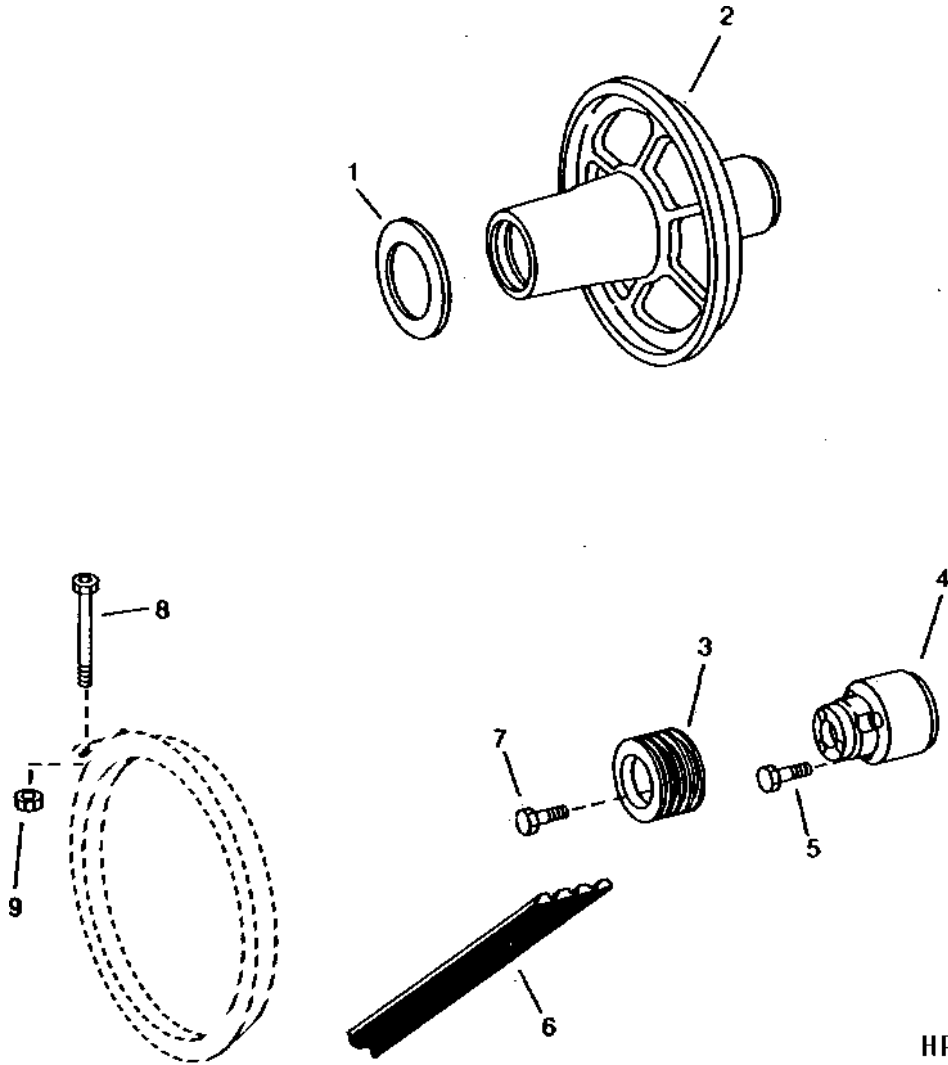
DRIVES

PRIMARY COUNTERSHAFT, SUPPORTS AND VARIABLE SHEAVE - CONTINUED

KEY	PART NO.	PART NAME	QTY	SERIAL NO.	REMARKS
1	H147483	SHAFT	1		
2	26H114	SHAFT KEY	1	1/2" X 2-3/4"	
3	H147911	SHEET	1		
4	19M7866	SCREW	AR	M8 X 20	
5	14M7298	FLANGE NUT	AR	M8	
6	14M7291	FLANGE NUT	1	M16	
7	AH97031	IDLER	1		
8	24M7053	WASHER	AR	17 X 30 X 3 MM	
9	19M7794	SCREW	1	M16 X 50	
10	AH154392	SHEET	1		
11	19M7786	SCREW	4	M10 X 30	
12	H115930	BEARING HOUSING W/O BEARING	1		
13	14M7296	FLANGE NUT	4	M10	
14	JD8669	BALL BEARING	1		
15	22H821	SET SCREW	1	1/2" X 1/2"	
16	JD8668	ECCENTRIC LOCKING COLLAR	1		
17	19M7835	SCREW	6	M10 X 35	
18	H127196	HOUSING	1		
19	H115755	HALF SHEAVE	1		
20	H128010	BELT	1		PRIMARY TO SECONDARY COUNTERSHAFT DRIVE
21	AH94853	SEAL	1		
22	H93631	SNAP RING	1		
23	H93630	BUSHING	1		
24	H118617	BUMPER	1		USED FOR SLOW SPEED CYLINDER DRIVE ONLY
25	H115759	BELT	1		PRIMARY TO INTERMEDIATE CYLINDER DRIVE, (SUB H162629)
	H162629	BELT	1		PRIMARY TO INTERMEDIATE CYLINDER DRIVE
26	JD7798	LUBRICATION FITTING	2		
27	H148131	BUSHING	1		
28	P48691	SNAP RING	1		
29	AH141820	HALF SHEAVE	1		
30	AH87141	SEAL	1		
31	24H1668	WASHER	1	1-17/64" X 2-1/4" X 0.134"	
32	H82620	LOCK NUT	1		
33	H110237	PIN	1		
34	24M7178	WASHER	2	10.500 X 30 X 2.500 MM	
35	19M7784	SCREW	2	M10 X 20	
36	H102533	SHIM	AR	0.762 MM (0.030")	
37	BARREL	1	(SUB AH125193)	
38	H97306	SEAL	1		
39	PISTON	1	(SUB AH125193)	
40	AH125193	CYLINDER	1		
41	19H1732	CAP SCREW	6	3/8" X 1-1/4"	
42	R27564	O-RING	2		
43	AH139238	UNION FITTING	1		
44	H135292	SNAP RING	1		
45	12H304	LOCK WASHER	6	3/8"	
46	AH163803	KIT	1	(INCLUDES TY22494) (SUB FOR AH141390)	
47	TY22494	HOSE CLAMP	2		

4F21

SLOW SPEED CYLINDER DRIVE
HP3983 -UN-01JAN94



HP3983

4F22

DRIVES

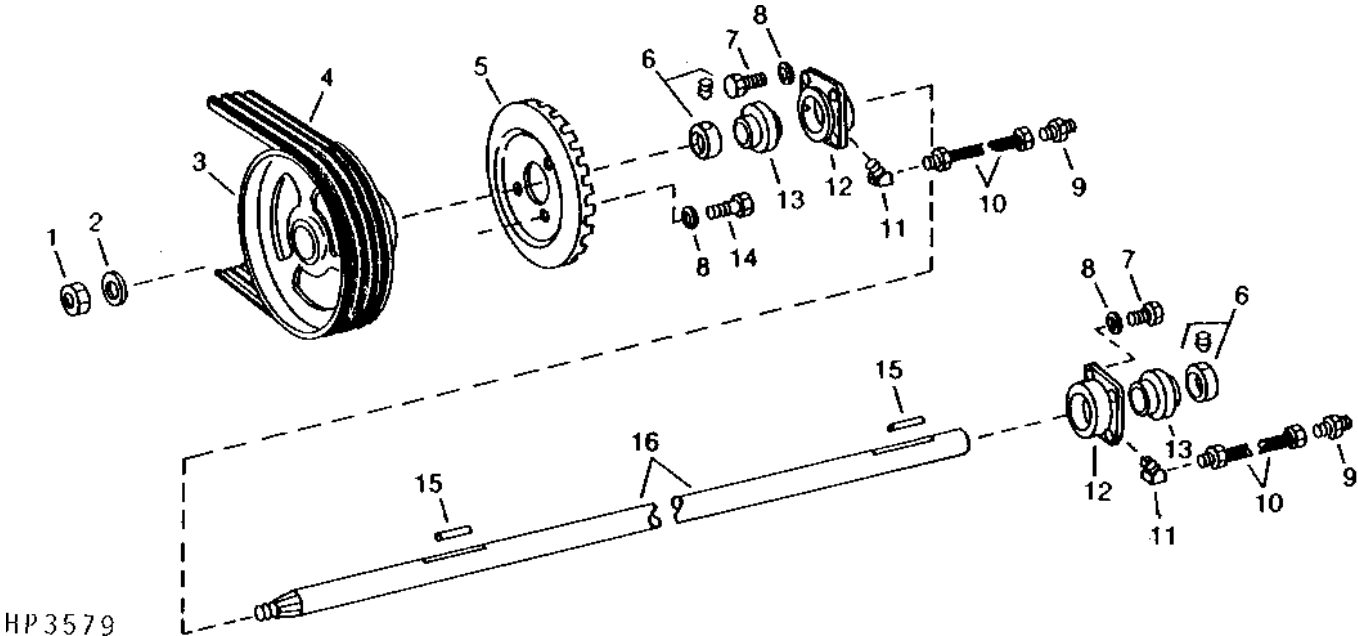
SLOW SPEED CYLINDER DRIVE - CONTINUED

KEY	PART NO.	PART NAME	QTY	SERIAL NO.	REMARKS
1	H118617	BUMPER	1		
2	AH141820	HALF SHEAVE	1		
3	H118616	SHEAVE	1		
4	H141588	HUB	1		
5	19M8017	CAP SCREW	3	M12 X 20	
6	H118618	BELT	1		
7	19M8162	CAP SCREW	3	M10 X 40	
8	H120490	BOLT	4	SPECIAL HOLLOW SHEAR BOLT	
9	M63707	LOCK NUT	4	6.350 MM	
..	BH79239	COMPLETE GOODS/SHIP. BUNDLE	1	LOW DUAL RANGE CYLINDER DRIVE	

4F23

SINGLE RANGE CYLINDER DRIVE

HP3579 -UN-01JAN94



HP3579

4F24

DRIVES

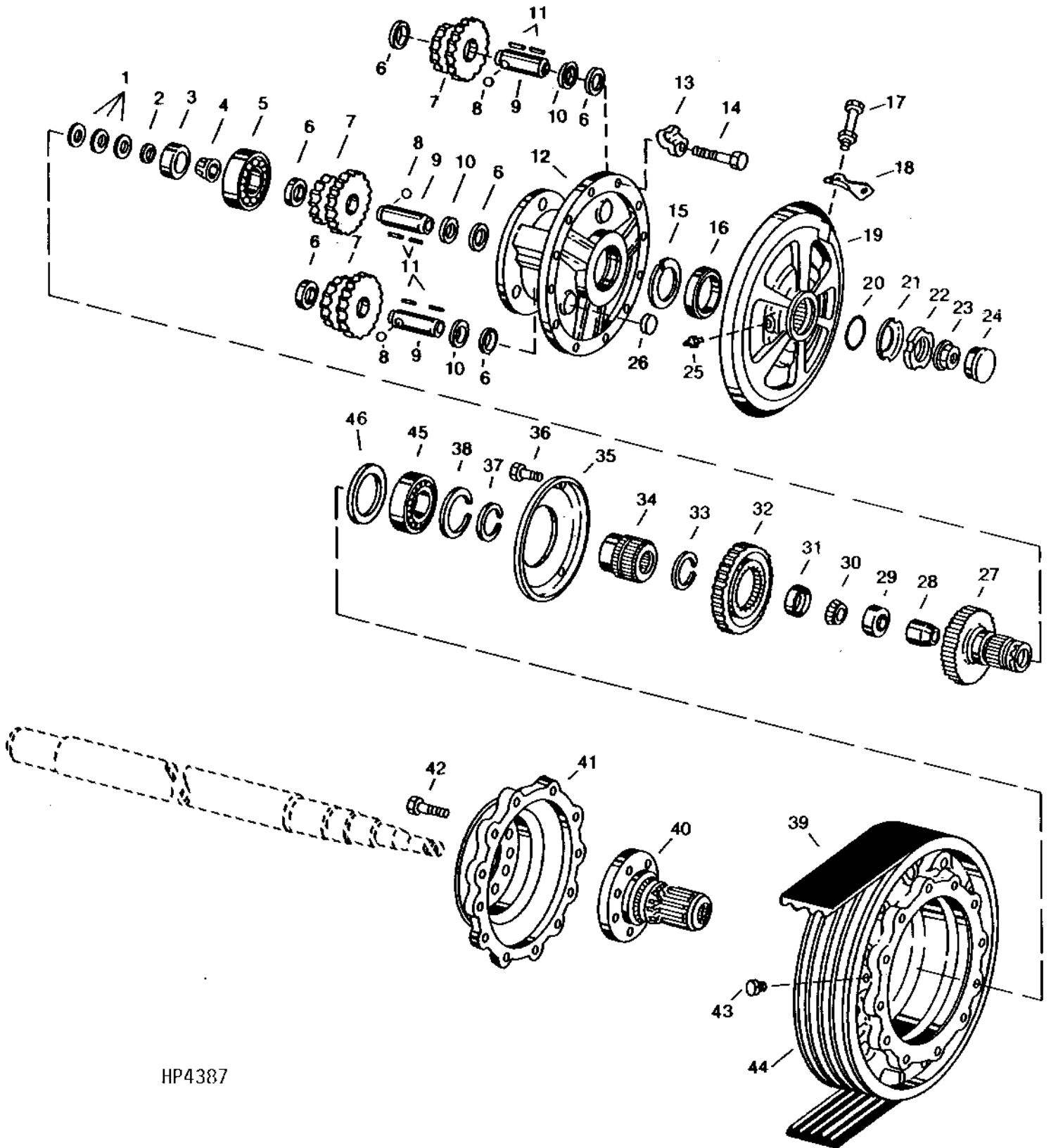
SINGLE RANGE CYLINDER DRIVE - CONTINUED

KEY	PART NO.	PART NAME	QTY	SERIAL NO.	REMARKS
1	H138085	LOCK NUT	1		
2	24H1509	WASHER	1		1-25/64" X 2-1/2" X 0.194"
3	H93645	SHEAVE	1		
4	H115881	BELT	1		
5	H128297	WHEEL	1		
6	JD10342	ECCENTRIC LOCKING COLLAR	1		
7	19H1732	CAP SCREW	4		3/8" X 1-1/4"
8	12H304	LOCK WASHER	4		3/8"
9	JD7759	LUBRICATION FITTING	2		
10	AH121009	HOSE	2		
11	JD7845	ELBOW FITTING	2		
12	H99149	HOUSING	2		
13	JD10343	BALL BEARING	2		
14	19H1936	CAP SCREW	3		3/8" X 3/4"
15	SHAFT KEY	2		(CUT FROM H64376) IN AH64587 KEY STOCK KIT
16	H145970	SHAFT	1		SINGLE RANGE (GRAIN)
	H140043	SHAFT	1		DUAL RANGE
..	BH80017	COMPLETE GOODS/SHIP. BUNDLE	1		SPIKE TOOTH TO RASP BAR CONVERSION
..	BH71877	COMPLETE GOODS/SHIP. BUNDLE	1		RASP BAR TO SPIKE TOOTH CONVERSION
..	BH79239	COMPLETE GOODS/SHIP. BUNDLE	1		LOW DUAL RANGE CYLINDER DRIVE

4G1

DRIVES

DUAL-RANGE CYLINDER DRIVE GEARCASE
HP4387 -UN-01JAN94

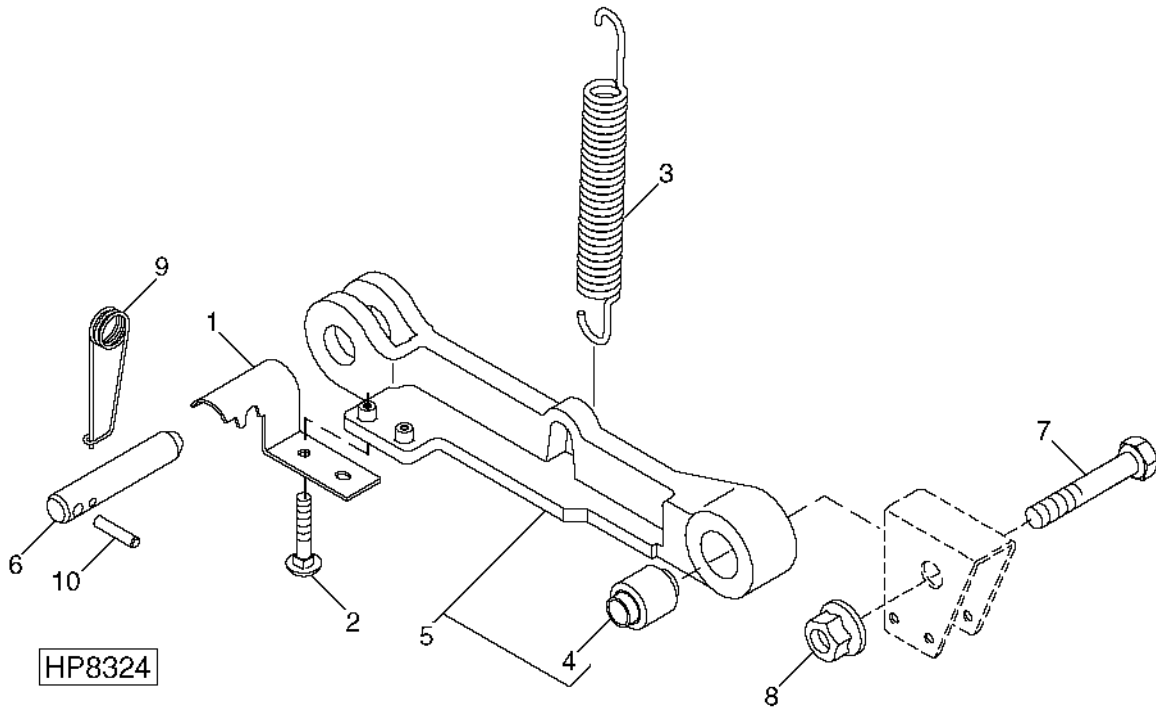


HP4387

DUAL-RANGE CYLINDER DRIVE GEARCASE - CONTINUED

KEY	PART NO.	PART NAME	QTY	SERIAL NO.	REMARKS
1	H111260	SHIM	AR	0.05 THICK	
	H111261	SHIM	AR	0.10 THICK	
	H111262	SHIM	AR	0.25 THICK	
2	H111041	WASHER	1		
3	JD8239	BEARING CUP	1		
4	JD8960	BEARING CONE	1		
5	AH108801	BALL BEARING	1		
6	R71758	THRUST WASHER	6		
7	H113947	PINION	3		
8	H871R	BALL	3		
9	H113627	PINION SHAFT	3		
10	R71756	WASHER	3		
11	R84261	PIN	132		
12	H118082	COVER	1		
13	H127855	RETAINER	3		
14	19M8162	CAP SCREW	12	M10 X 40	
	12H304	LOCK WASHER	9	3/8"	
15	H117703	SHIM	1		
16	AH112883	SEAL	1		
17	19H2151	CAP SCREW	1	1/4" X 3"	
	M63707	LOCK NUT	1		
18	H127590	LUG	1		
19	H113208	WHEEL	1		
20	U10063	O-RING	1		
21	H112877	LOCK WASHER	1		
22	E12305	NUT	1		
23	H113238	FLANGE NUT	1		
24	H110521	CAP	1		
25	JD7797	LUBRICATION FITTING	1		
26	H110462	PLUG	3		
27	H113063	GEAR	1		
28	H111042	SPACER	1		
29	JD7441	BEARING	1		
30	JD10214	BEARING CONE	1		
31	AH110887	SEAL	1		
32	H113946	GEAR	1		
33	T47836	SNAP RING	1		
34	H114687	BEARING HOUSING W/O BEARING	1		
35	H110337	RING	1		
36	R38131	CAP SCREW	3		
37	R80R	SNAP RING	1		
38	H114688	SNAP RING	1		
39	H115881	BELT	1		
40	H126829	HUB	1		
41	H126722	SHEAVE	1		
42	H144962	SCREW	8	M10 X 25	
43	AH109056	PIPE PLUG	1		
44	H114689	SHEAVE	1		
45	JD10032	BALL BEARING	1		
46	AF1466R	SEAL	1		
..	TY15130	SEALANT	1		SIZE: 3 OZ. (CANADA PART NO. TY9484)
..	TY6304	SEALANT	1		CANADA PART NO. TY9483
..	TY6333	GREASE	1		SIZE: 14 OZ. TUBE
..	AH134859	GEAR CASE	1		DOES NOT INCLUDE H115881

DUAL-RANGE LOCKOUT ARM
HP8324 -UN-19AUG99



4G4

DRIVES

DUAL-RANGE LOCKOUT ARM - CONTINUED

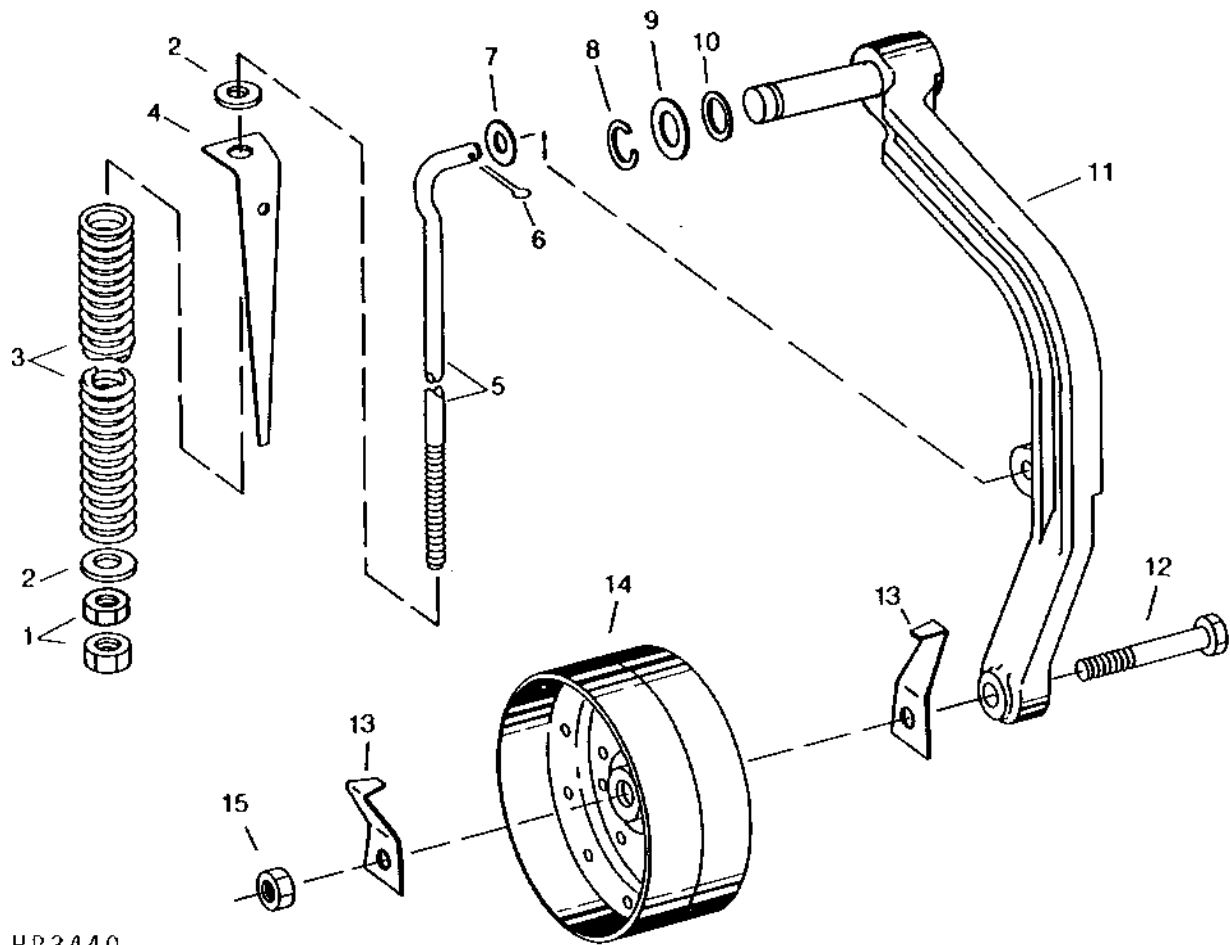
KEY	PART NO.	PART NAME	QTY	SERIAL NO.	REMARKS
1	H139709	RETAINER	1		
2	19M7867	SCREW	2		M8 X 25
3	M45123	EXTENSION SPRING	1		
4	AH143746	RUBBER MOUNT	1		
5	AH143747	ARM	1		
6	H110542	PIN	1		
7	19M7826	SCREW	1		M16 X 70
8	14M7291	FLANGE NUT	1		M16
9	H114001	QUICK LOCK PIN	1		
10	34M7036	SPRING PIN	1		5 X 45 MM
..	BH71935	COMPLETE GOODS/SHIP. BUNDLE	1		EXTENDED DUAL RANGE CYLINDER DRIVE

4G5

DRIVES

DUAL-RANGE CYLINDER DRIVE TIGHTENER

HP3440 -UN-01JAN94



HP 3440

4G6

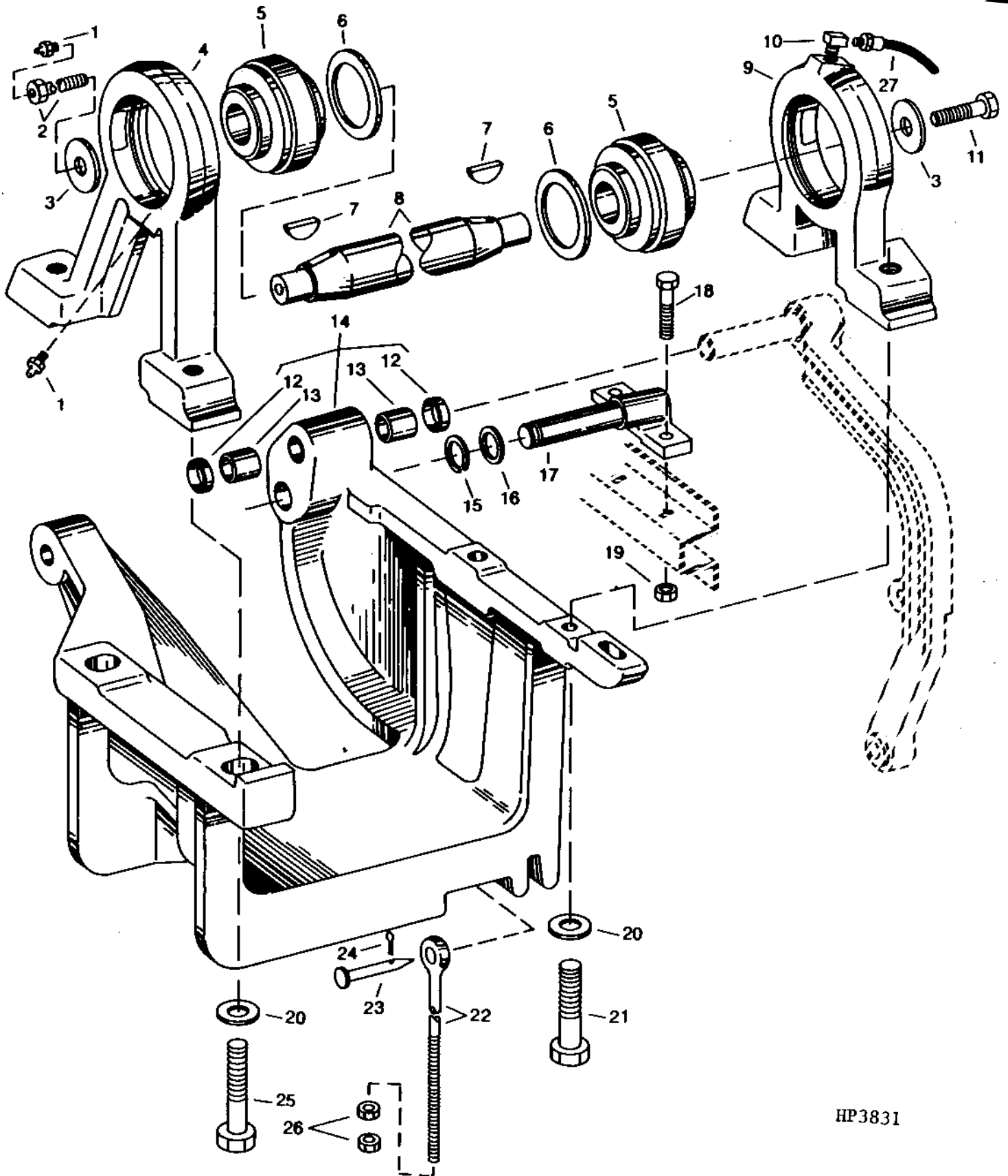
DRIVES

DUAL-RANGE CYLINDER DRIVE TIGHTENER - CONTINUED

KEY	PART NO.	PART NAME	QTY	SERIAL NO.	REMARKS
1	14M7276	NUT	2	M16	
2	24H1373	WASHER	2	21/32" X 1-9/16" X 0.180"	
3	N61654	SPRING	1		
4	H116862	GAUGE	1		
5	H116861	HOOK BOLT	1		
6	11M7028	COTTER PIN	1	5 X 32 MM	
7	24M7053	WASHER	1	17 X 30 X 3 MM	
8	P46402	SNAP RING	1		
9	24H1447	WASHER	AR	1-1/32" X 1-1/2" X 0.036" (USE FOUR OR LESS)	
10	24H1448	WASHER	1	1-1/32" X 1-1/2" X 0.120"	
11	AH113139	ARM	1		
12	19M7818	SCREW	1	M12 X 80	
13	H94386	BRACKET	2		
14	AH141762	IDLER	1		
15	14M7299	FLANGE NUT	1	M12	

DUAL-RANGE CYLINDER DRIVE INTERMEDIATE SHAFT MOUNTING

HP3831 -UN-01JAN94



HP3831

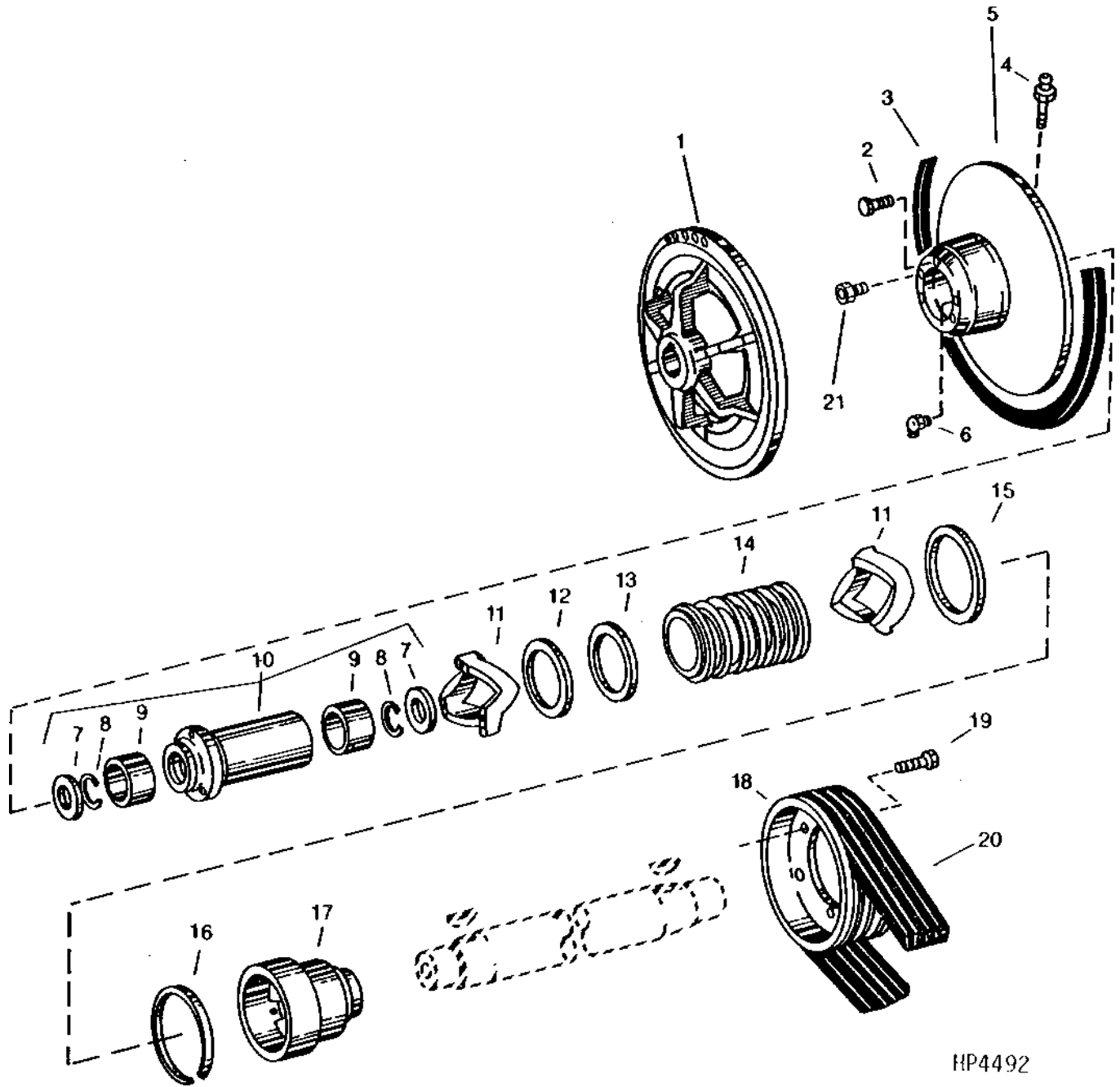
4G8

DRIVES

DUAL-RANGE CYLINDER DRIVE INTERMEDIATE SHAFT MOUNTING - CONTINUED

KEY	PART NO.	PART NAME	QTY	SERIAL NO.	REMARKS
1	JD7759	LUBRICATION FITTING	2		1/8" STRAIGHT
2	H110168	SCREW	1		
3	R20135	WASHER	2		
4	H121134	HOUSING	1		
5	AH108813	BALL BEARING	2		
6	E18993	WASHER	2		
7	26M6787	SHAFT KEY	2		10 X 32 MM
8	H148241	SHAFT	1		
9	H119210	HOUSING	1		
10	JD7839	LUBRICATION FITTING	1		
11	19M7793	SCREW	1		M16 X 40, WITH BUSHINGS
12	AA5607R	SEAL	2		
13	H99147	BUSHING	2		(SUB H171061)
	H171061	BEARING	2		
14	AH122451	SUPPORT	1		
15	M2353T	SNAP RING	1		
16	24H1513	WASHER	1		1-13/32" X 2" X 0.060"
17	H127596	PIN	1		
18	19M7898	SCREW	2		M10 X 130
19	14M7296	FLANGE NUT	2		M10
20	T20217	WASHER	4		
21	19H3057	CAP SCREW	2		1/2" X 2-3/4"
22	H127583	EYEBOLT	1		
23	T22714	PIN	1		
24	11M7028	COTTER PIN	1		5 X 32 MM
25	19M8306	SCREW	2		M12 X 50
26	14M7291	FLANGE NUT	2		M16
27	AH121007	HOSE	1		

DUAL-RANGE CYLINDER DRIVE INTERMEDIATE SHEAVE
HP4492 -UN-01JAN94



HP4492

4G10

DRIVES

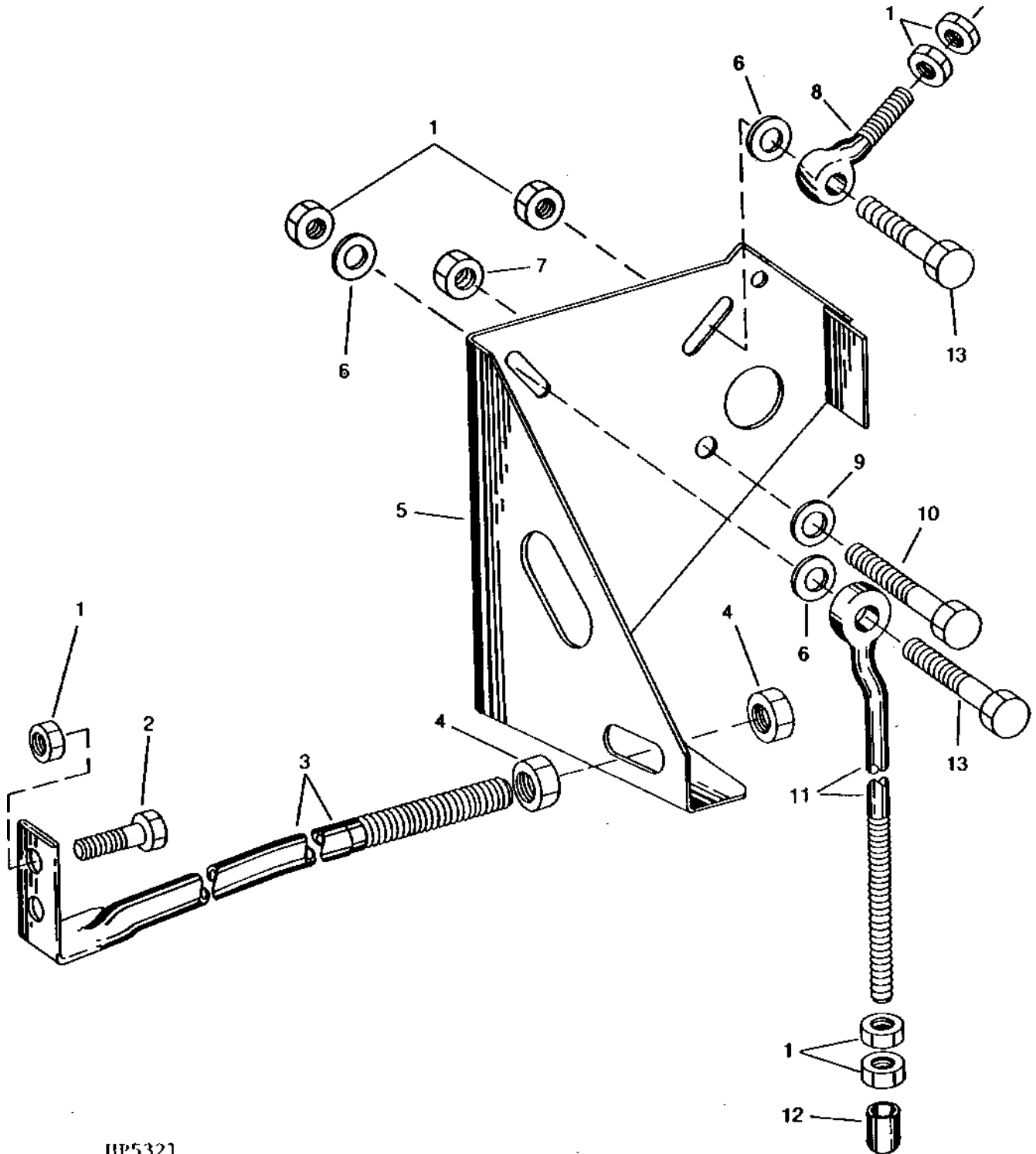
DUAL-RANGE CYLINDER DRIVE INTERMEDIATE SHEAVE - CONTINUED

KEY	PART NO.	PART NAME	QTY	SERIAL NO.	REMARKS
1	H145955	SHEAVE	1		
2	19M7789	SCREW	3		M12 X 30
3	H162629	BELT	1		(SUB FOR H115759)
4	JD7759	LUBRICATION FITTING	1		
5	AH141973	HALF SHEAVE	1		
6	JD7788	LUBRICATION FITTING	1	-10AU98	
7	AH106110	SEAL	2		
8	B3118R	SNAP RING	2		
9	H125528	BUSHING	2		
10	AH120907	HUB	1		
11	H145243	CAM	2		
12	H96227	WASHER	1		
13	H96232	WASHER	1		
14	AH148893	SPRING ASSEMBLY	1		(INCLUDES H96226)
15	AH136497	SEAL	1		
16	H107389	RING	1		
17	H146394	HUB	1		
18	H125391	SHEAVE	1		
19	19M7818	SCREW	3		M12 X 80
20	H115881	BELT	1		
21	AH106296	BREATHER	1	-10AU98	
	AE38448	RELIEF VALVE	1	10AU98-	

4G11

DRIVES

DUAL-RANGE CYLINDER DRIVE ADJUSTING BRACKET
HP5321 -UN-01JAN94



HP5321

4G12

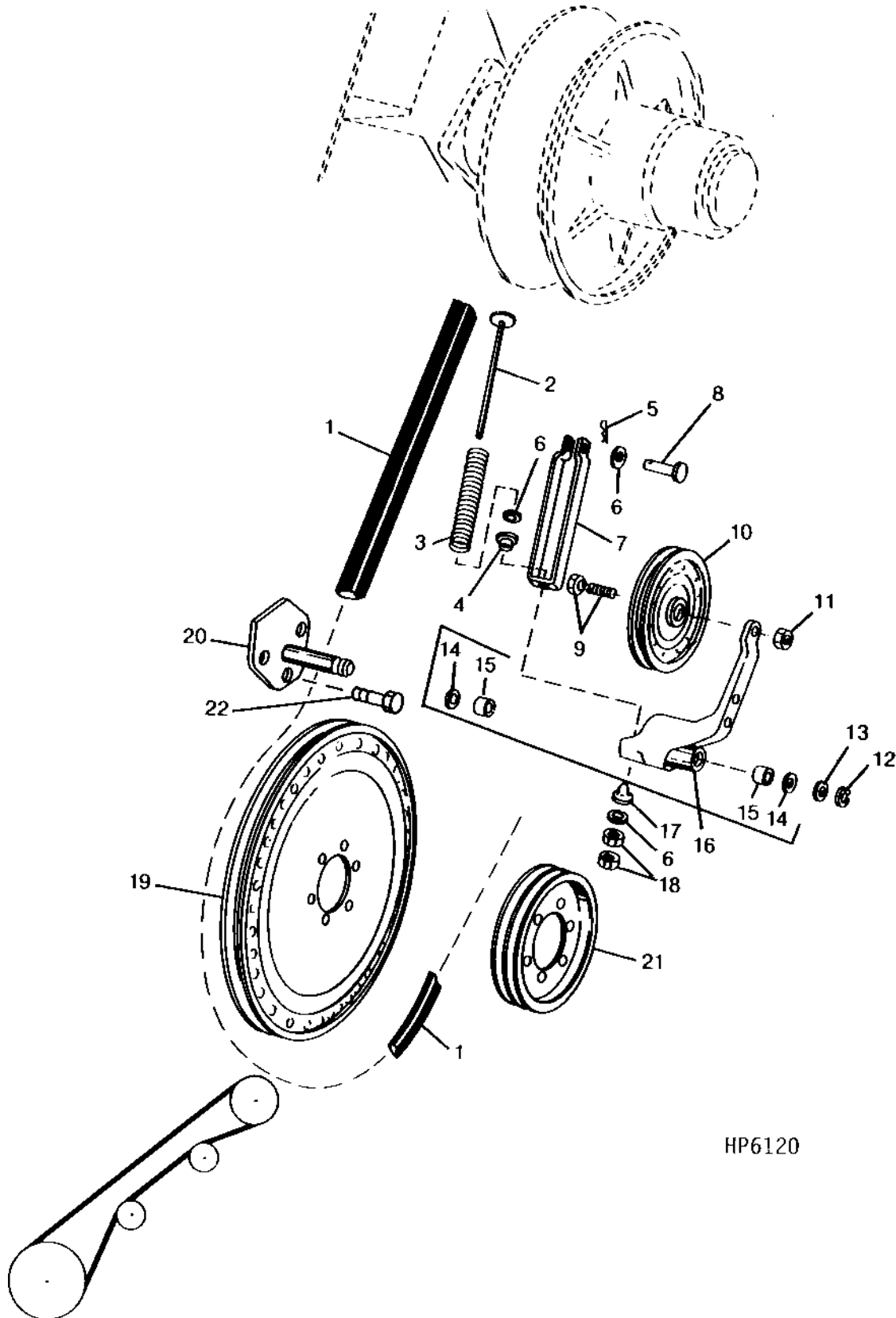
DRIVES

DUAL-RANGE CYLINDER DRIVE ADJUSTING BRACKET - CONTINUED

KEY	PART NO.	PART NAME	QTY	SERIAL NO.	REMARKS
1	14M7299	FLANGE NUT	8	M12	
2	19M7837	SCREW	2	M12 X 110	
3	AH126538	BRACE	1		
4	14M7300	FLANGE NUT	2	M20	
5	H131482	SUPPORT	1		
6	24M7240	WASHER	3	13 X 25 X 3 MM	
7	14M7291	FLANGE NUT	1	M16	
8	H116065	EYEBOLT	1		
9	24M7053	WASHER	1	17 X 30 X 3 MM	
10	19M8046	CAP SCREW	1	M16 X 70	
11	H131485	EYEBOLT	1		
12	R50770	PLUG	1		
13	19M7791	SCREW	2	M12 X 40	

4G13

SECONDARY COUNTERSHAFT DRIVE
HP6120 -UN-21JUL95



HP6120

4G14

DRIVES

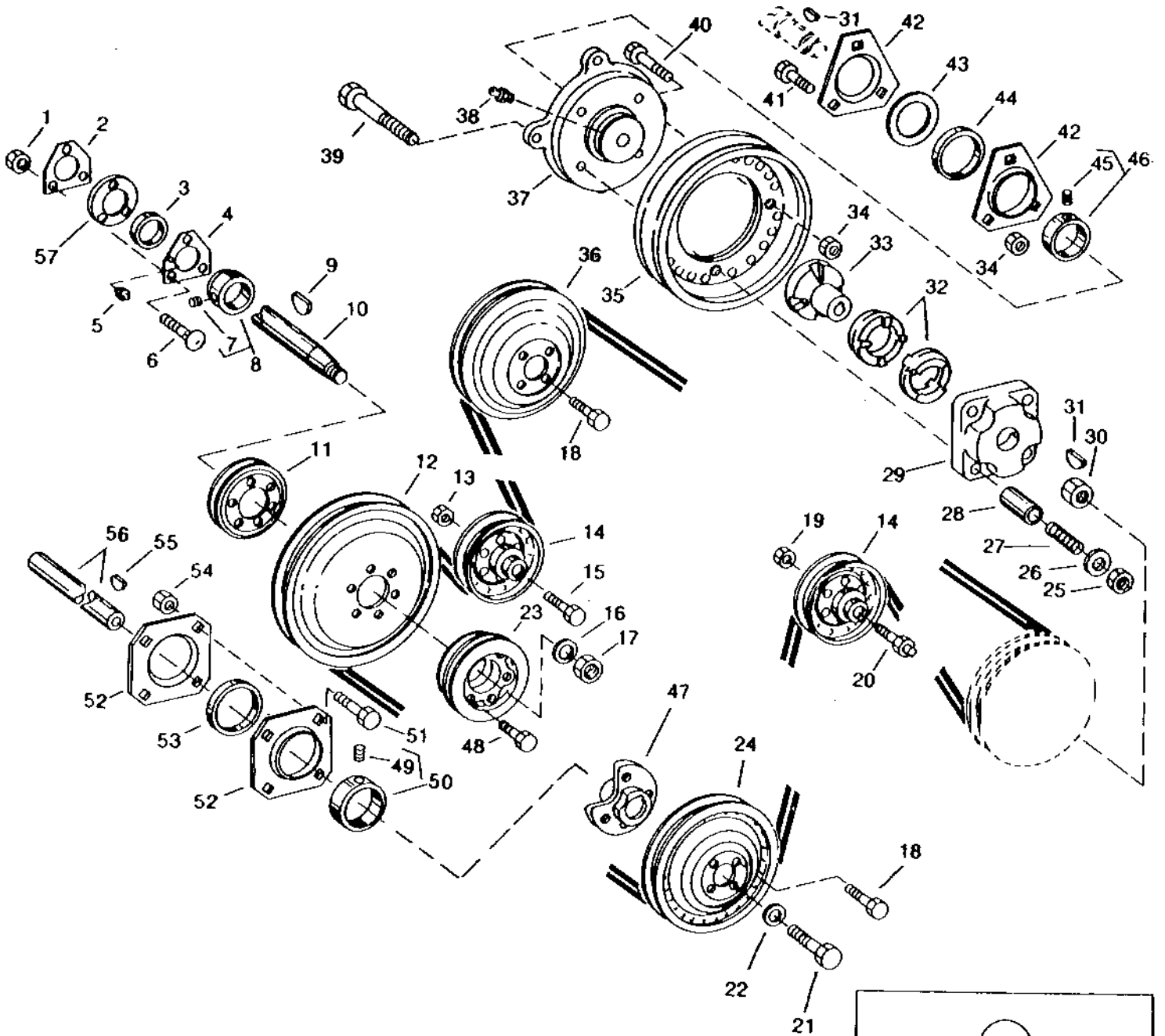
SECONDARY COUNTERSHAFT DRIVE - CONTINUED

KEY	PART NO.	PART NAME	QTY	SERIAL NO.	REMARKS
1	H128010	BELT	1		
2	AH124826	STUD	1		
3	B10604	SPRING	1		
4	H97513	BUSHING	1		
5	11M7028	COTTER PIN	1	5 X 32 MM	
6	24M7047	WASHER	1	13 X 24 X 2.500 MM	
7	H133667	CLEVIS	1		
8	H748DA	PIN	1		
9	19M7824	SCREW	1	M16 X 60	
10	AH97031	IDLER	1		
11	14M7291	FLANGE NUT	1	M16	
12	P46402	SNAP RING	1		
13	24M7091	WASHER	1	26 X 44 X 4 MM	
14	AA5607R	SEAL	2		
15	H99147	BUSHING	2	(SUB H171061)	
	H171061	BEARING	2		
16	AH124828	ARM	1		
17	H129207	PIVOT	1		
18	14M7275	NUT	2	M12	
19	AH104783	PULLEY	1		
20	AH139816	PIN	1		
21	H142143	SHEAVE	1		
22	19M7784	SCREW	3	M10 X 20	

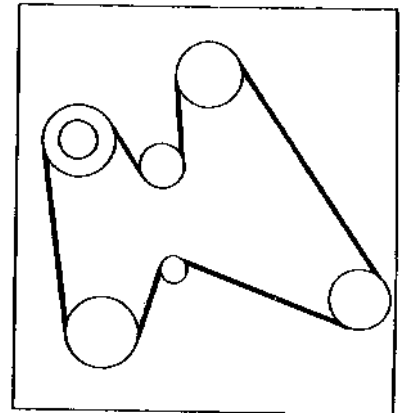
4G15

DRIVES

CONVEYOR AUGERS, SIEVE AND CHAFFER DRIVE
HP4046 -UN-01JAN94



HP4046



4G16

DRIVES

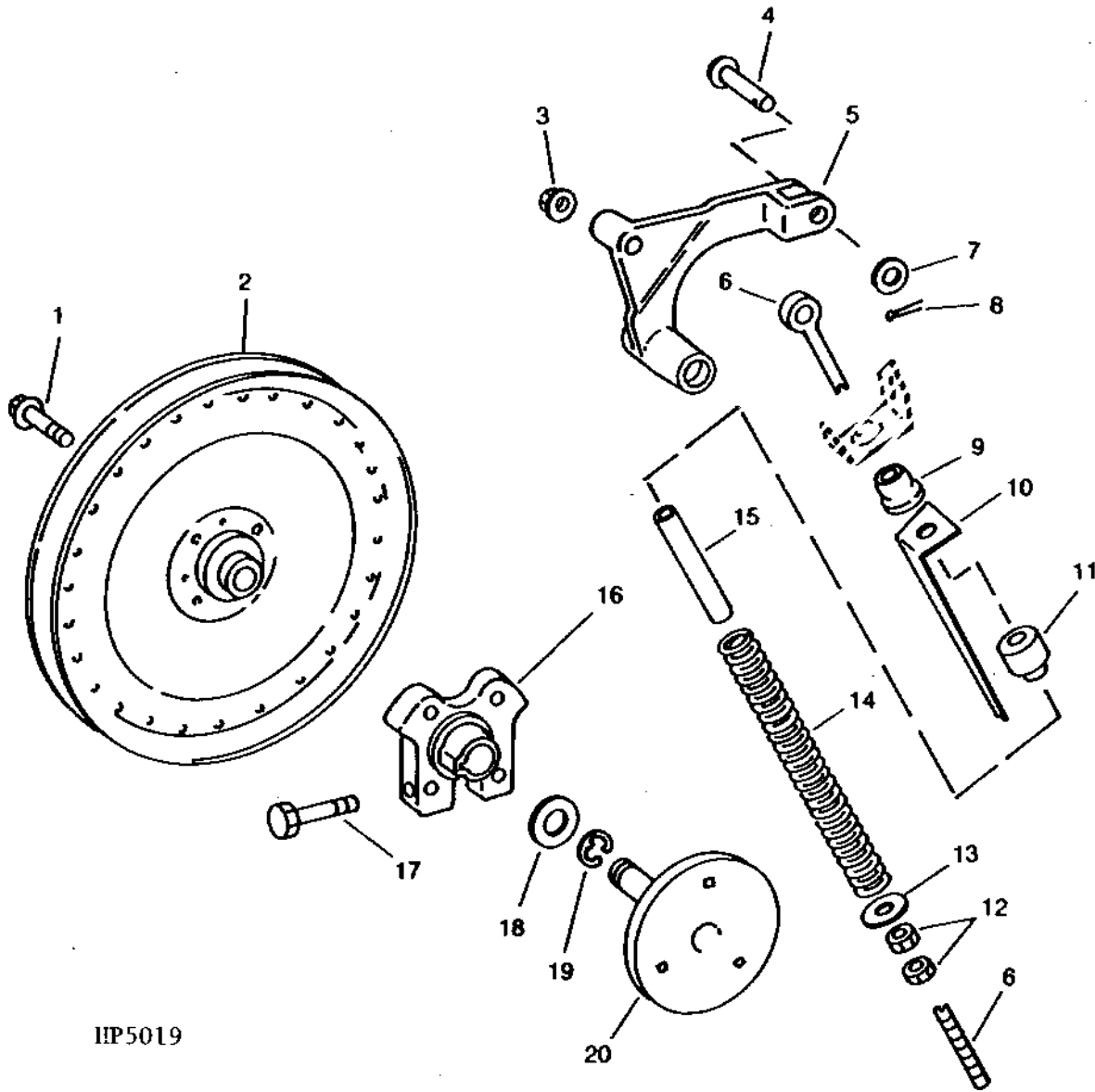
CONVEYOR AUGERS, SIEVE AND CHAFFER DRIVE - CONTINUED

KEY	PART NO.	PART NAME	QTY	SERIAL NO.	REMARKS
1	14M7296	FLANGE NUT	3	M10	
2	H135410	PRESSED FLANGED HOUSING	1		
3	AH139296	BALL BEARING	1		
4	AH129420	PRESSED FLANGED HOUSING	1		
5	JD7846	LUBRICATION FITTING	1		
6	03M7191	BOLT	3	M10 X 25	
7	22M7081	SET SCREW	1	M10 X 10	
8	AH133191	ECCENTRIC LOCKING COLLAR	1		
9	H153524	KEY	1	WOODRUFF (HARDENED)	
10	H132208	JACKSHAFT	1		
11	H131170	SHEAVE	1		
12	AH104783	PULLEY	1		
13	14M7291	FLANGE NUT	1	M16	
14	AH94450	IDLER	2		
15	19M7824	SCREW	1	M16 X 60	
16	24M7091	WASHER	1	26 X 44 X 4 MM	
17	14M7413	LOCK NUT	1	M24	
18	19M7784	SCREW	8	M10 X 20	
19	14M7291	FLANGE NUT	1	M16	
20	19M7824	SCREW	1	M16 X 60	
21	19M7283	CAP SCREW	2		
22	T119912	WASHER	2		
23	H142143	SHEAVE	1		
24	AH126188	SHEAVE	1		
25	14M7400	LOCK NUT	4	M10	
26	24H1730	WASHER	4	13/32" X 1-1/2" X 0.120"	
27	R56722	SPRING	4		
28	H87206	SPACER	4		
29	H89525	RETAINER	1		
30	14M7300	FLANGE NUT	1	M20	
31	26M4226	SHAFT KEY	1	5 X 19 MM	
32	H128265	SLIP CLUTCH	2		
33	H131098	HUB	1		
34	14M7296	FLANGE NUT	4	M10	
35	AH126094	SHEAVE	1		
36	AH134596	SHEAVE	1		
37	H135423	HUB	1		
38	JD7797	LUBRICATION FITTING	1		
39	19M8166	CAP SCREW	4	M10 X 110	
40	19M7786	SCREW	4	M10 X 30	
41	03M7191	BOLT	3	M10 X 25	
42	E10018	PRESSED FLANGED HOUSING	2		
43	H102533	SHIM	2		
44	AH129451	BALL BEARING	1		
45	SET SCREW	1		
46	AH129452	ECCENTRIC LOCKING COLLAR	1		
47	H133603	HUB	1		
48	19M7810	SCREW	6	M10 X 80	
49	22M7081	SET SCREW	2		
50	AL14674	ECCENTRIC LOCKING COLLAR	2		
51	03M7197	BOLT	8	M12 X 25	
52	H133621	PRESSED FLANGED HOUSING	4		
53	JD39109	BALL BEARING	2		
54	14M7299	FLANGE NUT	16	M12	
55	49M7040	SHAFT KEY	1		
56	H133598	SHAFT	1	CLEANING SHOE SHAFT	
57	H105578	SHIM	1		

4G17

CLEANING SHOE AND CONVEYOR AUGER PIVOT ARM DRIVE TIGHTENER

HP5019 -UN-01JAN94



HP5019

4G18

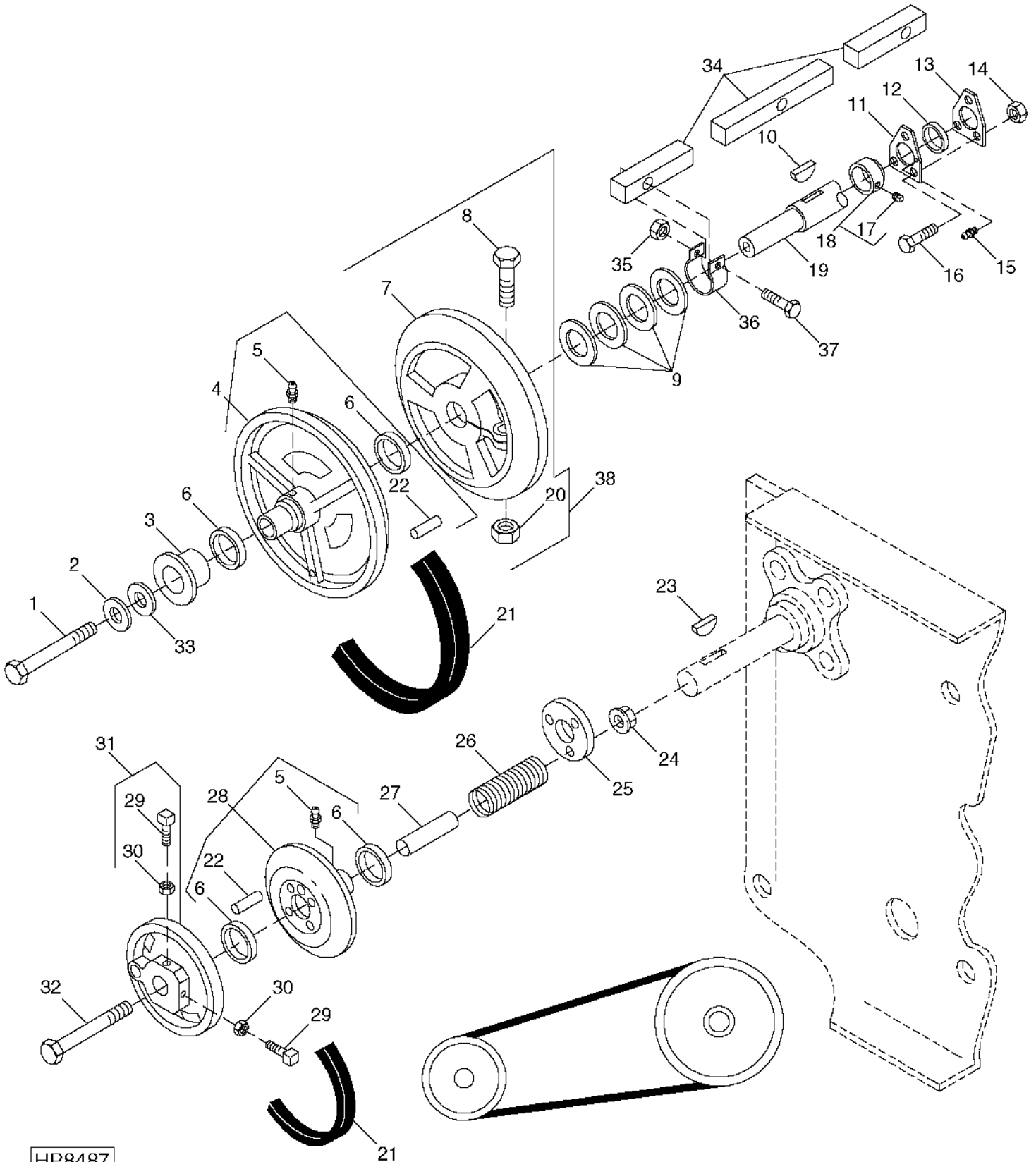
DRIVES

CLEANING SHOE AND CONVEYOR AUGER PIVOT ARM DRIVE TIGHTENER - CONTINUED

KEY	PART NO.	PART NAME	QTY	SERIAL NO.	REMARKS
1	19M7794	SCREW	1		
2	AH134596	SHEAVE	1		M16 X 50
3	14M7298	FLANGE NUT	1		M8
4	Z9135H	PIN	1		
5	AH140600	ARM	1		
6	H129311	EYEBOLT	1		
7	24M7047	WASHER	1		
8	11M7015	COTTER PIN	1		
9	H129207	PIVOT	1		
10	H135512	GAUGE	1		
11	H135395	SPACER	1		
12	14M7275	NUT	1		M12
13	24M7180	WASHER	1		13 X 37 X 3 MM
14	N165696	SPRING	1		
15	H116916	HOSE	1		
16	H134760	HUB	1		
17	19M7663	CAP SCREW	1		M8 X 70
18	24M7091	WASHER	1		26 X 44 X 4 MM
19	P46402	SNAP RING	1		
20	AH134593	PIVOT	1		

4G19

SEPARATOR FAN DRIVE
HP8487 -UN-20APR99



HP8487

4G20

DRIVES

SEPARATOR FAN DRIVE - CONTINUED

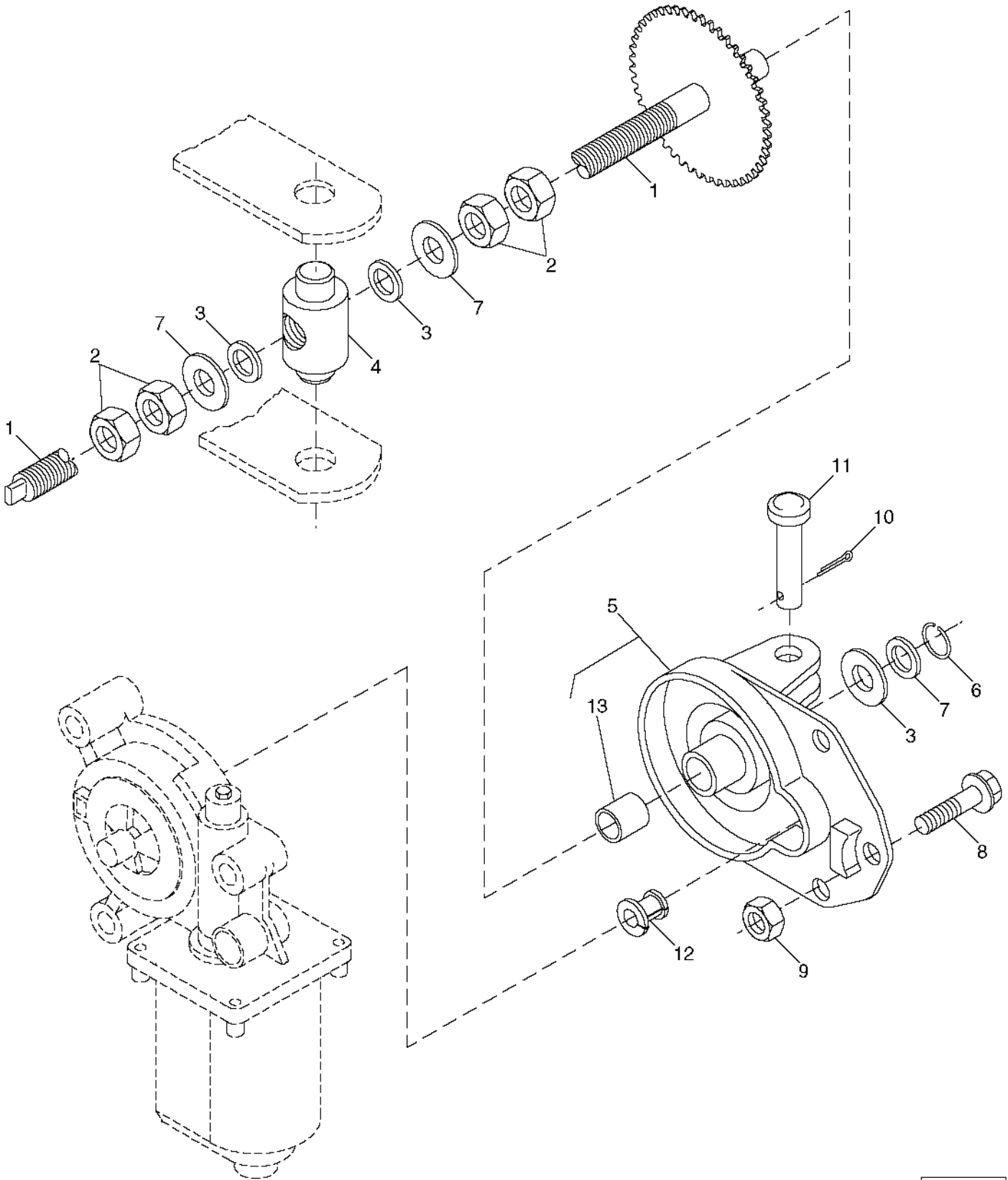
KEY	PART NO.	PART NAME	QTY	SERIAL NO.	REMARKS
1	19M7786	SCREW	1	M10 X 30	
2	24H1314	WASHER	1	13/32" X 1-3/4" X 7/64"	
3	AH124050	THROW-OUT BEARING	1		
4	AH146463	HALF SHEAVE	1	401 MM O.D. (750-1350 RPM)	
	AH146506	HALF SHEAVE	1	(SUB AH153040) 289 MM O.D. (490-980 RPM) OPT	
	AH153040	SHEAVE	1	289 MM O.D. (490-980 RPM) OPT	
5	JD7759	LUBRICATION FITTING	2		
6	AH14080	SEAL	4		
7	AH149357	HALF SHEAVE	1	289 MM O.D. (490-980 RPM) OPT.	
8	19M8112	SCREW	1	M12 X 55	
9	24H1512	WASHER	8	1-13/32" X 2" X 0.032"	
10	H153524	KEY	1	WOODRUFF (HARDENED)	
11	AH129420	PRESSED FLANGED HOUSING	1		
12	AH139296	BALL BEARING	1		
13	H135410	PRESSED FLANGED HOUSING	1		
14	14M7296	FLANGE NUT	3	M10	
15	JD7846	LUBRICATION FITTING	1		
16	03M7191	BOLT	3	M10 X 25	
17	22M7081	SET SCREW	1	M10 X 10	
18	AH133191	ECCENTRIC LOCKING COLLAR	1		
19	H132208	JACKSHAFT	1		
20	14M7299	FLANGE NUT	1	M12	
21	H152146	BELT	1	(750-1350 RPM) STD. SPEED	
	H152180	BELT	1	(490-980 RPM) OPT. SPEED	
22	R1964R	DOWEL PIN	2		
23	26M6731	SHAFT KEY	1	6 X 25 MM (0.236" X 0.984")	
24	14M7396	LOCK NUT	4	M8	
25	H135599	WASHER	1		
26	H93399	SPRING	4		
27	H133489	BUSHING	4		
28	AH146461	HALF SHEAVE	1		
29	H138435	SET SCREW	2	M10 X 25	
30	14M7152	NUT	2	M10	
31	AH146462	HALF SHEAVE	1		
32	19M7873	SCREW	4	M8 X 110	
33	24H1307	WASHER	AR	13/32" X 1" X 1/16"	
34	H137817	STRIPPER	1		
35	14M7397	LOCK NUT	6	M6	
36	H137815	CLAMP	6		
37	19M7862	SCREW	6	M6 X 20	
38	AH149356	HALF SHEAVE	1	(SUB AH134597) (INCLUDES KEY 7, 8 AND 20)	
	AH134597	SHEAVE	1		
..	BH81191	COMPLETE GOODS/SHIP. BUNDLE	1	SLOW SPEED FAN DRIVE	

4G21

DRIVES

FAN DRIVE SPEED CONTROL LINKAGE

HP7550 -UN-16AUG99



HP7550

4G22

DRIVES

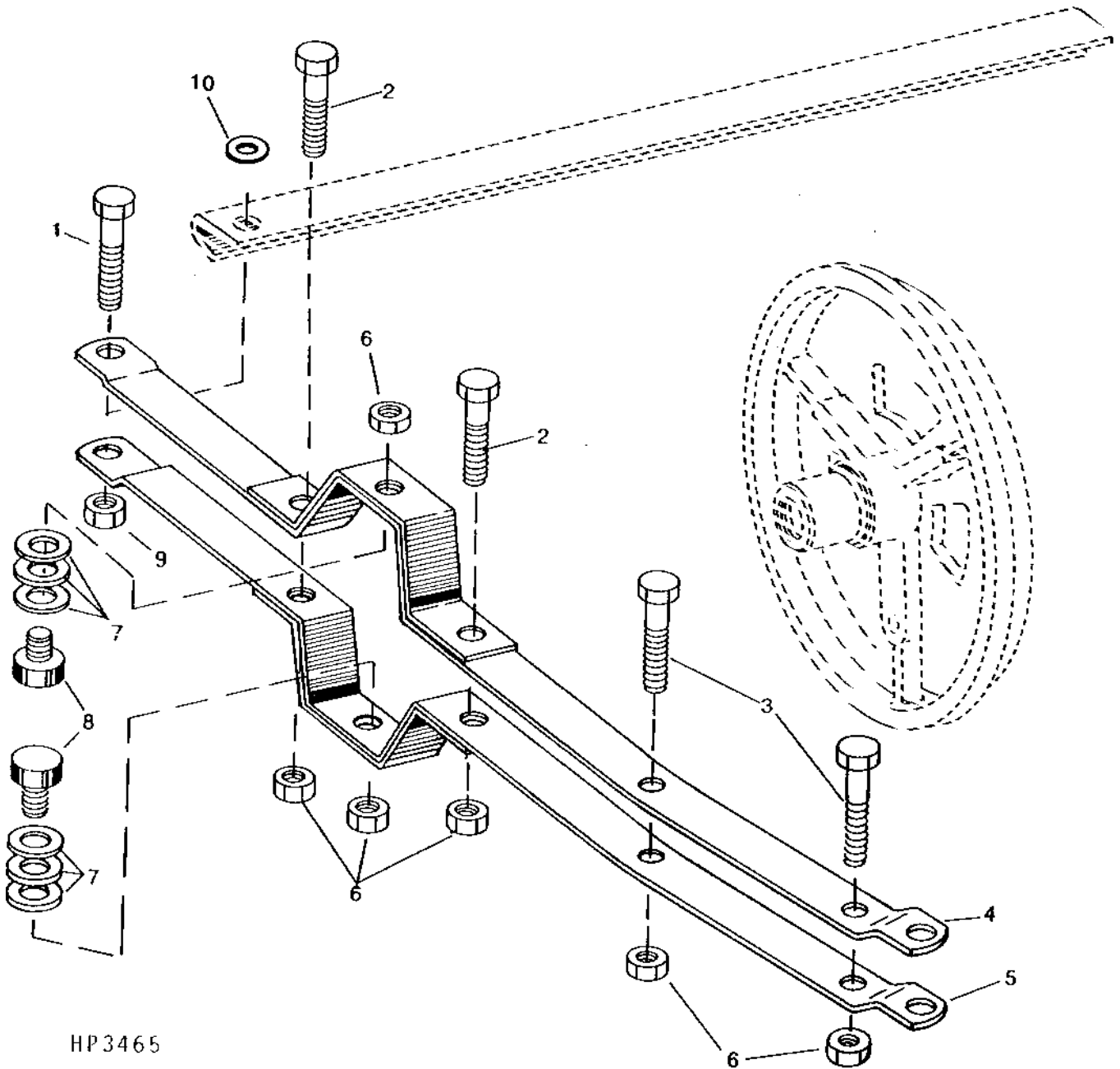
FAN DRIVE SPEED CONTROL LINKAGE - CONTINUED

KEY	PART NO.	PART NAME	QTY	SERIAL NO.	REMARKS
1	AH128384	SHAFT	1		
2	14M7382	NUT	4	M16	
3	H140397	THRUST WASHER	3		
4	H133199	TRUNNION	1		
5	AH143904	SUPPORT	1		
6	H25099	SNAP RING	1		
7	H139132	SPACER	3		
8	19M8321	SCREW	3	M6 X 45	
9	14M7165	LOCK NUT	3	M6	
10	11M7059	COTTER PIN	1	3.200 X 20 MM	
11	45M7045	PIN	1	12 X 90 MM	
12	H89515	WASHER	1		
13	H91788	BUSHING	1		

4G23

DRIVES

FAN DRIVE SPEED CONTROL SHEAVE LINKAGE
HP3465 -UN-01JAN94



HP3465

4G24

DRIVES

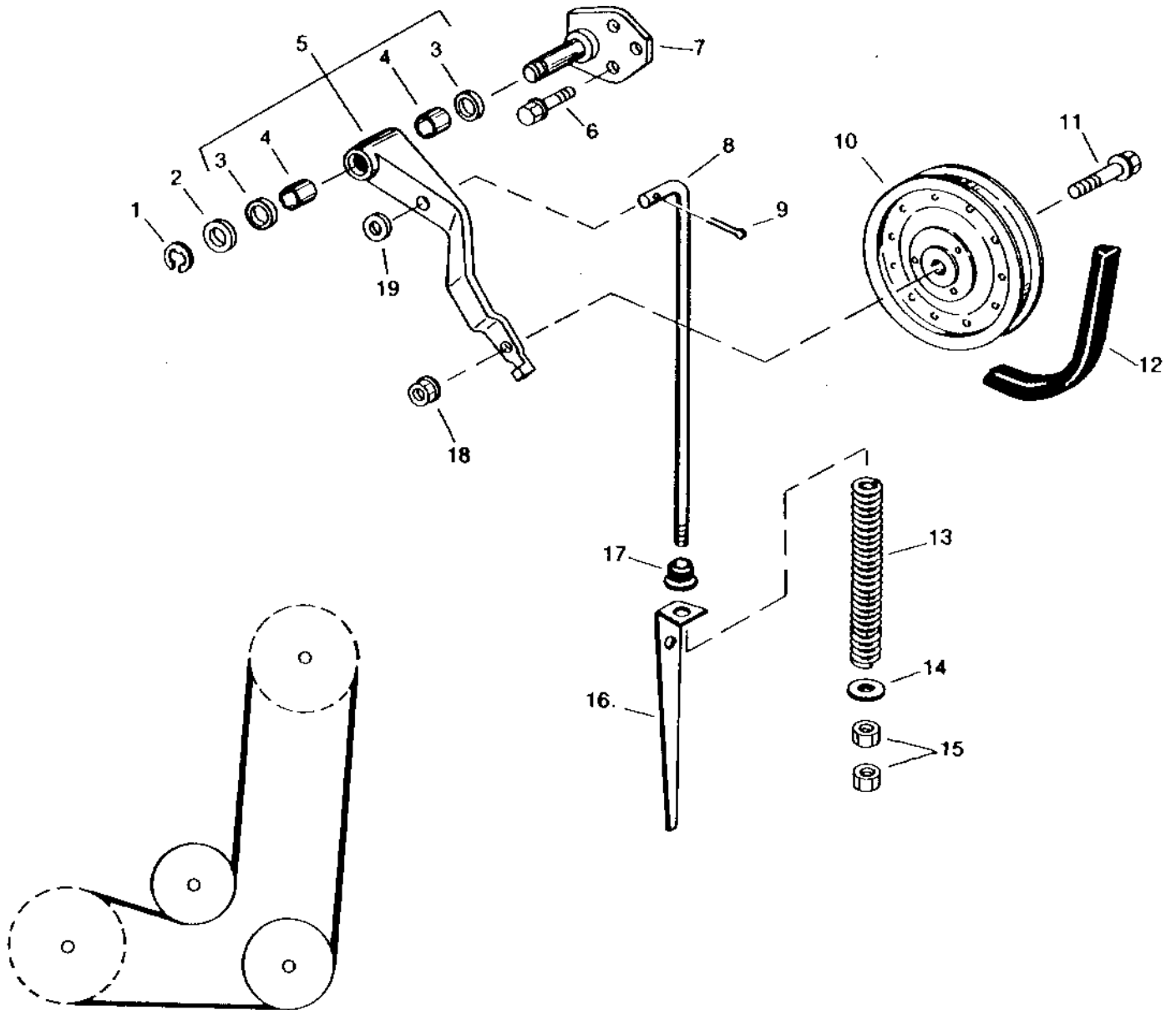
FAN DRIVE SPEED CONTROL SHEAVE LINKAGE - CONTINUED

KEY	PART NO.	PART NAME	QTY	SERIAL NO.	REMARKS
1	19M7868	SCREW	1		M8 X 30
2	19M7790	SCREW	2		M12 X 35
3	19M7788	SCREW	2		M12 X 25
4	AH134729	ARM	1		
5	AH134730	ARM	1		
6	14M7299	FLANGE NUT	6		M12
7	24H1882	WASHER	6		17/32" X 3/4" X 0.060"
8	19M8169	SCREW	2		M12 X 30
9	14M7298	FLANGE NUT	1		M8
10	28H1511	WASHER	1		0.364" X 0.540" X 1/4"

4H1

FEEDER HOUSE DRIVE TIGHTENER

HP3469 -UN-01JAN94



HP3469

4H2

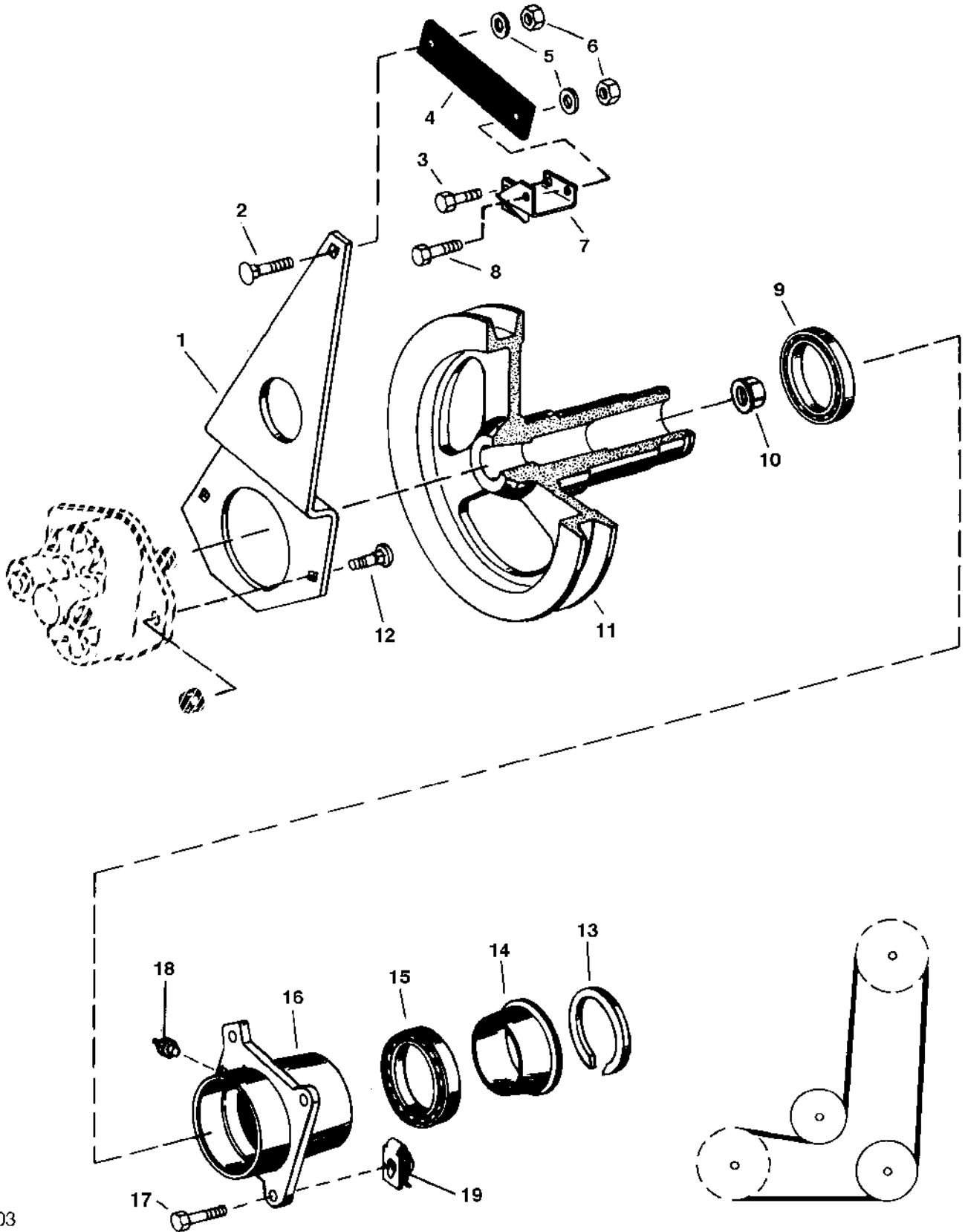
DRIVES

FEEDER HOUSE DRIVE TIGHTENER - CONTINUED

KEY	PART NO.	PART NAME	QTY	SERIAL NO.	REMARKS
1	P46402	SNAP RING	1		
2	24M7091	WASHER	1	26 X 44 X 4 MM	
3	AA5607R	SEAL	2		
4	H99147	BUSHING	2	(SUB H171061)	
	H171061	BEARING	2		
5	AH128903	ARM	1		
6	19M7784	SCREW	3	M10 X 20	
7	AH156051	SPRING PIN	1		
8	H126169	BOLT	1		
9	11M7028	COTTER PIN	1	5 X 32 MM	
10	AH94450	IDLER	1		
11	19M8046	CAP SCREW	1	M16 X 70	
12	H151952	BELT	1		
13	N61654	SPRING	1		
14	24H1373	WASHER	1	21/32" X 1-9/16" X 0.180"	
15	14M7276	NUT	2	M16	
16	H116862	GAUGE	1		
17	H129208	PIVOT	1		
18	14M7291	FLANGE NUT	1	M16	
19	24M7053	WASHER	1	17 X 30 X 3 MM	

4H3

REEL / BELT PICKUP CHARGE PUMP MOUNTING AND SHEAVE
HP6903 -UN-18AUG97



HP6903

4H4

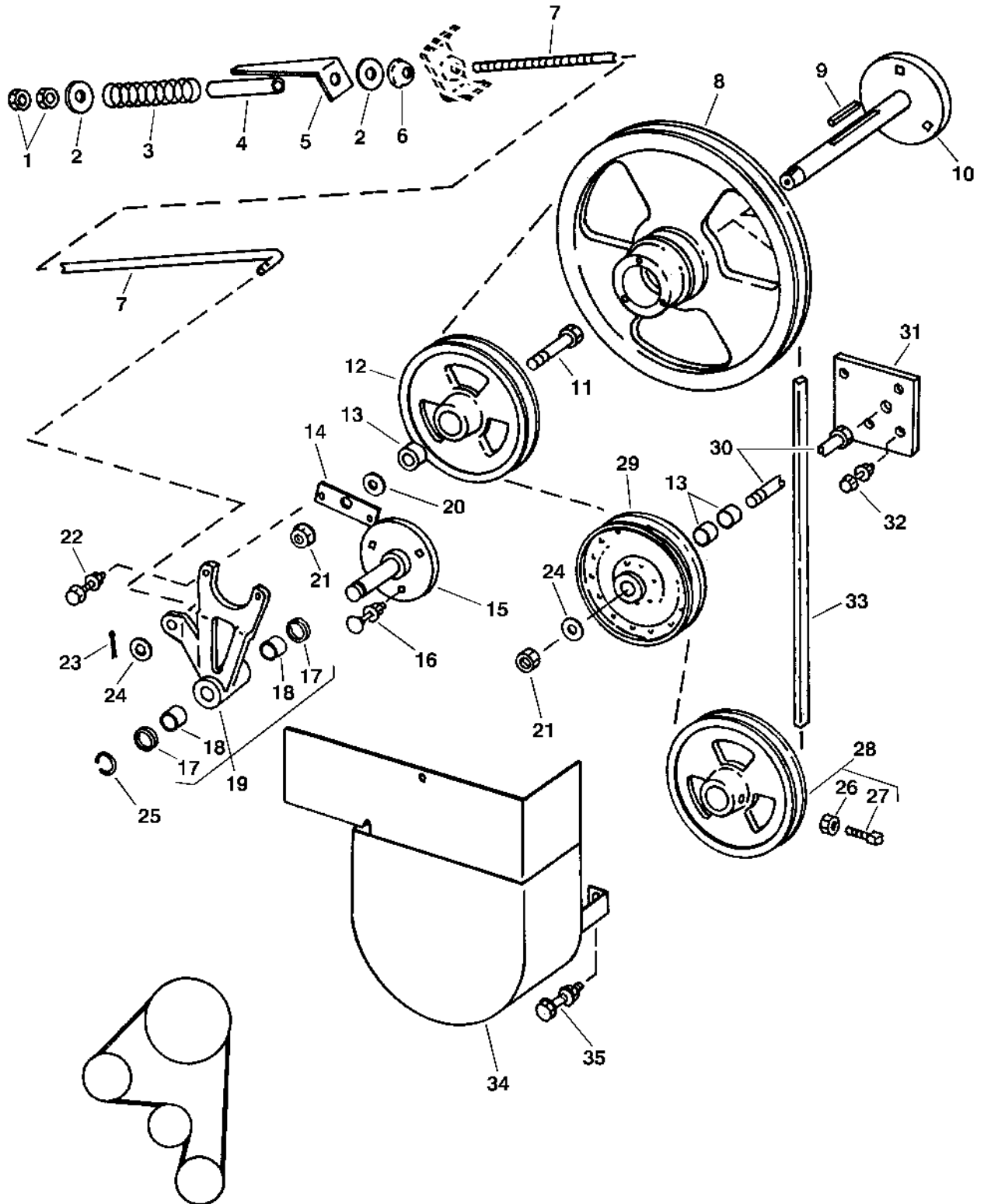
DRIVES

REEL / BELT PICKUP CHARGE PUMP MOUNTING AND SHEAVE - CONTINUED

KEY	PART NO.	PART NAME	QTY	SERIAL NO.	REMARKS
1	H128098	ARM	1		
2	03M7185	BOLT	1	M8 X 25	
3	19M7865	SCREW	4	M8 X 16 (NOT FOR USE WITH MUDSHIELD) (GRAIN)	
4	H78340	STRAP	1		
5	24M7207	WASHER	2	8.400 X 24 X 2 MM	
6	14M7396	LOCK NUT	2	M8	
7	H128111	BRACKET	1		NOT FOR USE WITH MUDSHIELD, (GRAIN)
8	19M7867	SCREW	1	M8 X 25, (GRAIN)	
9	JD10312	BALL BEARING	1		
10	E59406	FLANGE NUT	1	3/8"	
11	H132937	SHEAVE	1		
12	03M7186	BOLT	2	M8 X 30	
13	BP13616	SNAP RING	1		
14	B2984R	PLUG	1		
15	AZ20216	BALL BEARING	1		
16	H132938	HUB	1		
17	19M7785	SCREW	4	M10 X 25	
18	JD7788	LUBRICATION FITTING	1	45° X 20.574 MM LONG (0.810" LONG)	
19	H146457	NUT	4	10 MM (0.394")	

4H5

STRAW CHOPPER DRIVES
HP7201 -UN-09OCT97



HP7201

4H6

DRIVES

STRAW CHOPPER DRIVES - CONTINUED

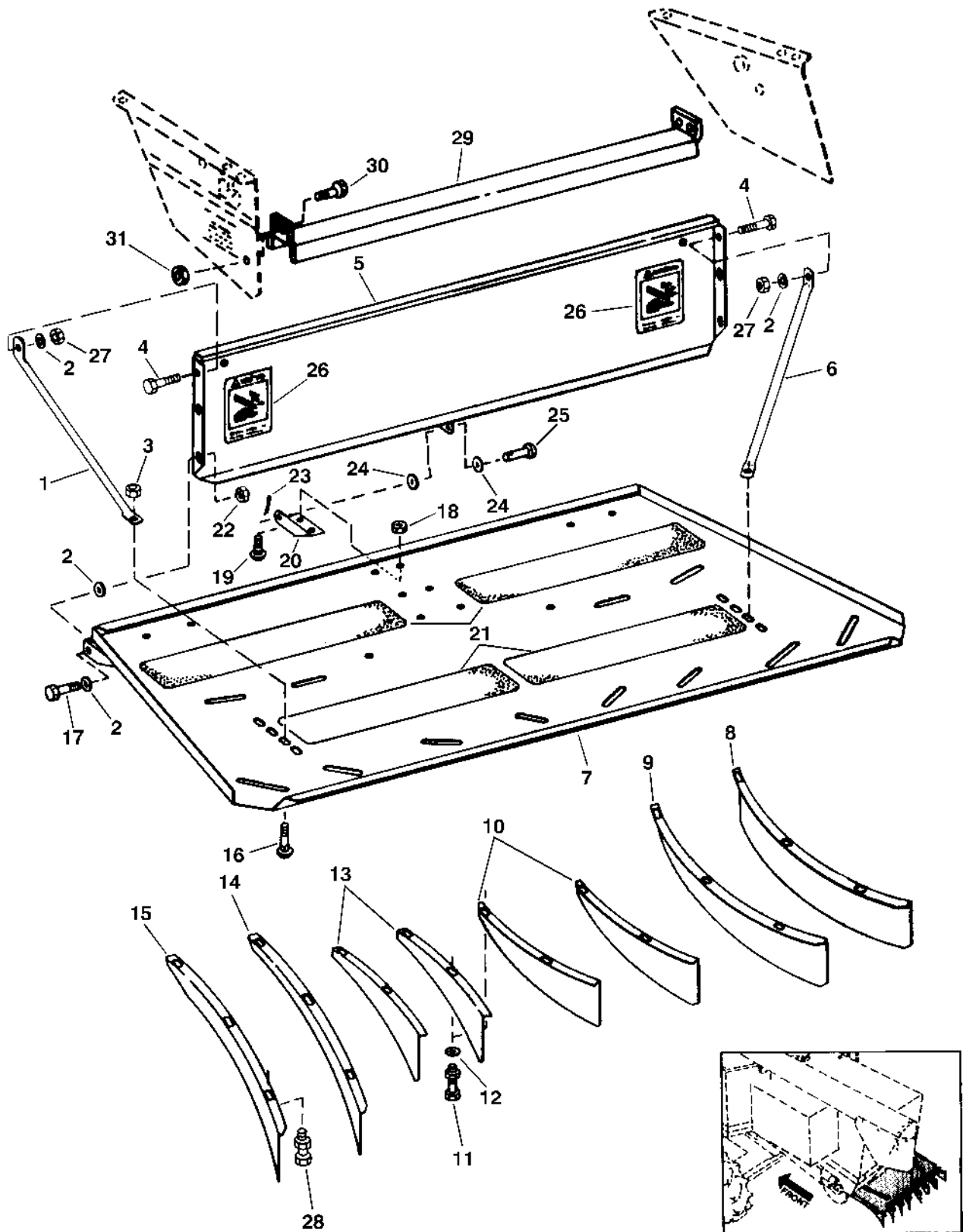
KEY	PART NO.	PART NAME	QTY	SERIAL NO.	REMARKS
1	14M7275	NUT	2	M12	
2	24M7180	WASHER	2	13 X 37 X 3 MM	
3	N165696	SPRING	1		
	H86783	SPRING	1		(FINE CUT CONVERSION)
4	TY22326	BULK HOSE	1		(107MM) NO LONGER AVAILABLE, MAKE FROM TY22326 BULK HOSE
5	H116650	GAUGE	1		
6	H129207	PIVOT	1		
7	H140159	HOOK BOLT	1		
8	H143745	SHEAVE	1		
	AH148385	HOUSING	1		(FINE CUT CONVERSION)
9	KEY	1		3/8" X 3/8" X 1 1/2", (CUT FROM H64376 IN AH64587 KIT)
10	H147229	SHAFT	1		
11	19M7824	SCREW	1	M16 X 60	
	19M7818	SCREW	1	M12 X 80, (FINE CUT CONVERSION)	
12	AN15237	IDLER	1		
	AH148499	SHEAVE	1		(FINE CUT CONVERSION)
13	N183269	BUSHING	3		
14	H140617	STRAP	1		
15	AH134593	PIVOT	1		
16	03M7191	BOLT	3	M10 X 25	
	14M7296	FLANGE NUT	3	M10	
17	H99147	BUSHING	2		(SUB H171061)
	H171061	BEARING	2		
18	AA5607R	SEAL	2		
19	AH135181	ARM	1		
	AH148447	ARM	1		(FINE CUT CONVERSION)
20	24M7241	WASHER	1	17 X 34 X 4 MM	
21	14M7291	FLANGE NUT	1	M16	
	14M7299	FLANGE NUT	1	M12, (FINE CUT CONVERSION)	
22	19M7835	SCREW	3	M10 X 35	
	14M7296	FLANGE NUT	3	M10	
23	11M7021	COTTER PIN	1	4 X 25 MM	
24	24M7091	WASHER	1	26 X 44 X 4 MM	
25	P46402	SNAP RING	1		
26	14M7152	NUT	1	M10	
27	H138435	SET SCREW	1		
28	AH119770	SHEAVE	1		
29	AH97031	IDLER	1		
	AH93318	IDLER	1		(FINE CUT CONVERSION)
30	19M7845	SCREW	1	M16 X 90	
	19M7819	SCREW	1	M12 X 90, (FINE CUT CONVERSION)	
31	H146026	PLATE	1		
32	19M7785	SCREW	4	M10 X 25	
	14M7296	FLANGE NUT	4	M10	
33	H141417	BELT	1		
	H155525	BELT	1		(FINE CUT CONVERSION)
34	AH149236	SHIELD	1		
35	19M7866	SCREW	1	M8 X 20	
	14M7298	FLANGE NUT	1	M8	
..	BH81362	COMPLETE GOODS/SHIP. BUNDLE	1		FINE CUT CHOPPER CONVERSION

4H7

DRIVES

STRAW CHOPPER DECK, SUPPORTS AND FINNS

HP7205 -UN-09OCT97



HP7205

4H8

DRIVES

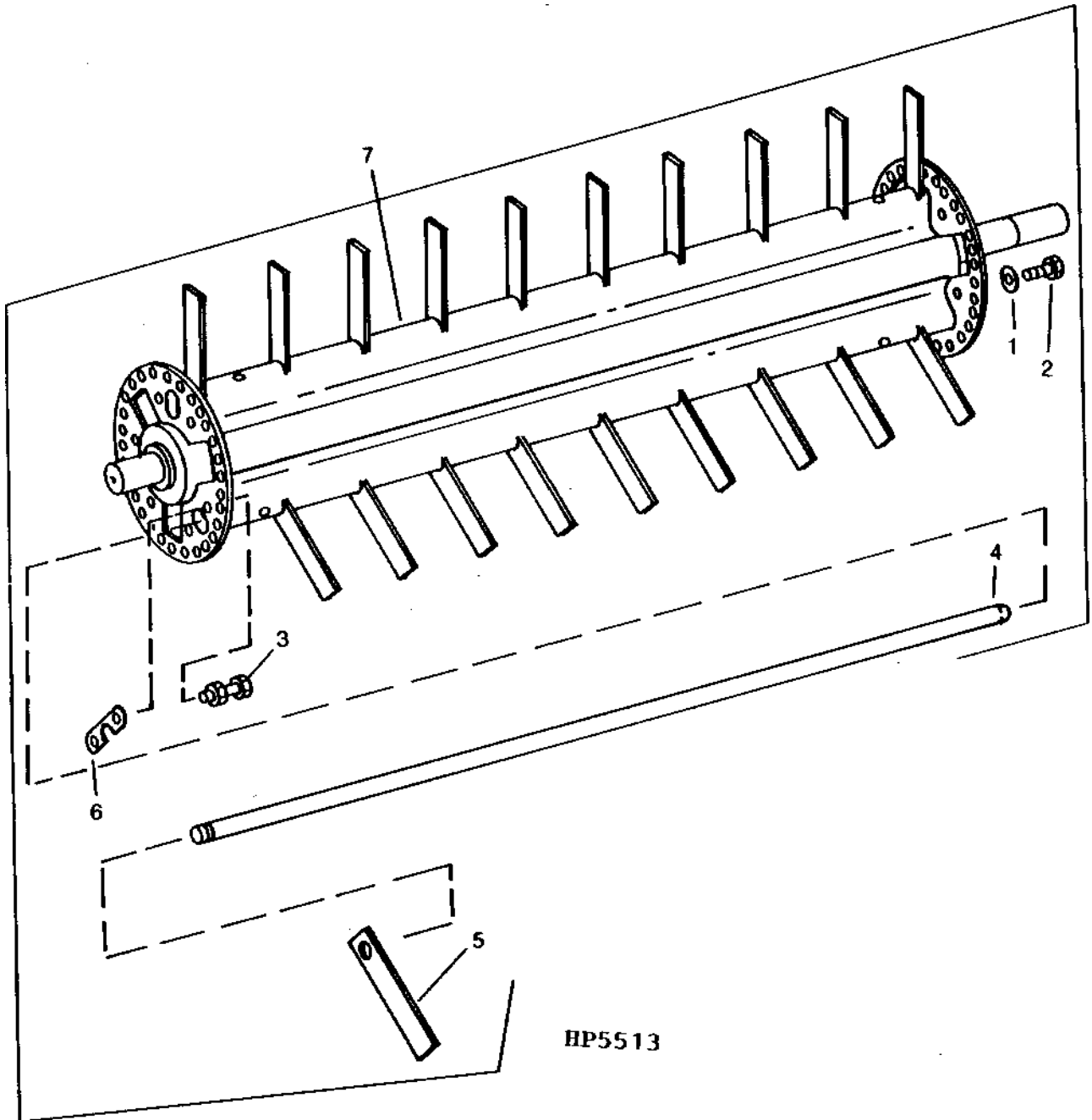
STRAW CHOPPER DECK, SUPPORTS AND FINS - CONTINUED

KEY	PART NO.	PART NAME	QTY	SERIAL NO.	REMARKS
1	H151182	PIPE	1		FOR WIDE SPREAD STRAW CHOPPER
2	H126334	LOCK WASHER	6		11.230 X 22.230 X 1.140 MM (0.442" X 0.875" X 0.045")
3	A51212	LOCK NUT	8		M10
4	19M7835	SCREW	6		M10 X 35
5	AH139791	SHEET	1		
	AH144478	SHEET	1		
6	H151181	PIPE	1		
7	AH137792	SUPPORT	1		
8	H130949	VANE	1		
	H150401	DEFLECTOR	1		FOR WIDE SPREAD STRAW COPPER
9	H114535	VANE	1		
	H150401	DEFLECTOR	1		FOR WIDE SPREAD STRAW CHOPPER
10	H114537	VANE	1		
	H150403	DEFLECTOR	1		FOR WIDE SPREAD CHOPPER
11	H128083	WASHER	4		9 X 50.800 X 5 MM
12	24M7207	WASHER	12		8.400 X 24 X 2 MM
13	03M7183	BOLT	12		M8 X 16
	14M7396	LOCK NUT	12		M8
14	H114538	VANE	1		
	H150404	DEFLECTOR	1		FOR WIDE SPREAD STRAW CHOPPER
15	H114536	VANE	1		
	H150402	DEFLECTOR	1		FOR WIDE SPREAD STRAW CHOPPER
16	H130948	VANE	1		
	H150402	DEFLECTOR	1		FOR WIDE SPREAD STRAW CHOPPER
17	03M7191	BOLT	2		M10 X 25
18	19M7167	CAP SCREW	2		M10 X 25
19	14M7298	FLANGE NUT	2		M8
20	03M7184	BOLT	2		M8 X 20
21	H128124	BRACKET	1		
22	14M7400	LOCK NUT	1		M10
23	14M7296	FLANGE NUT	2		M10
24	14M7396	LOCK NUT	1		
25	H136013	MAT	4		
26	19M7866	SCREW	1		M8 X 20
27	H149102	DECAL	2		"WARNING" CHOPPER POSITION WIDE SPREAD CHOPPER - LABEL LOCATED ON REAR OF COMBINE HOOD
	H149103	DECAL	2		"WARNING" CHOPPER POSITION (FRENCH)
28	03M7184	BOLT	4		M8 X 20, USE WITH H128083 WASHER
	14M7396	LOCK NUT	4		M8
29	H157109	SHEET	1		DEFLECTOR NARROW
30	19M7866	SCREW	2		M8 X 20, FOR WIDE SPREAD STRAW CHOPPER
31	14M7298	FLANGE NUT	2	660301-	M8, FOR WIDE SPREAD STRAW CHOPPER

4H9

DRIVES

TRI ROTOR STRAW CHOPPER
HP5513 -UN-01JAN94



HP5513

4H10

DRIVES

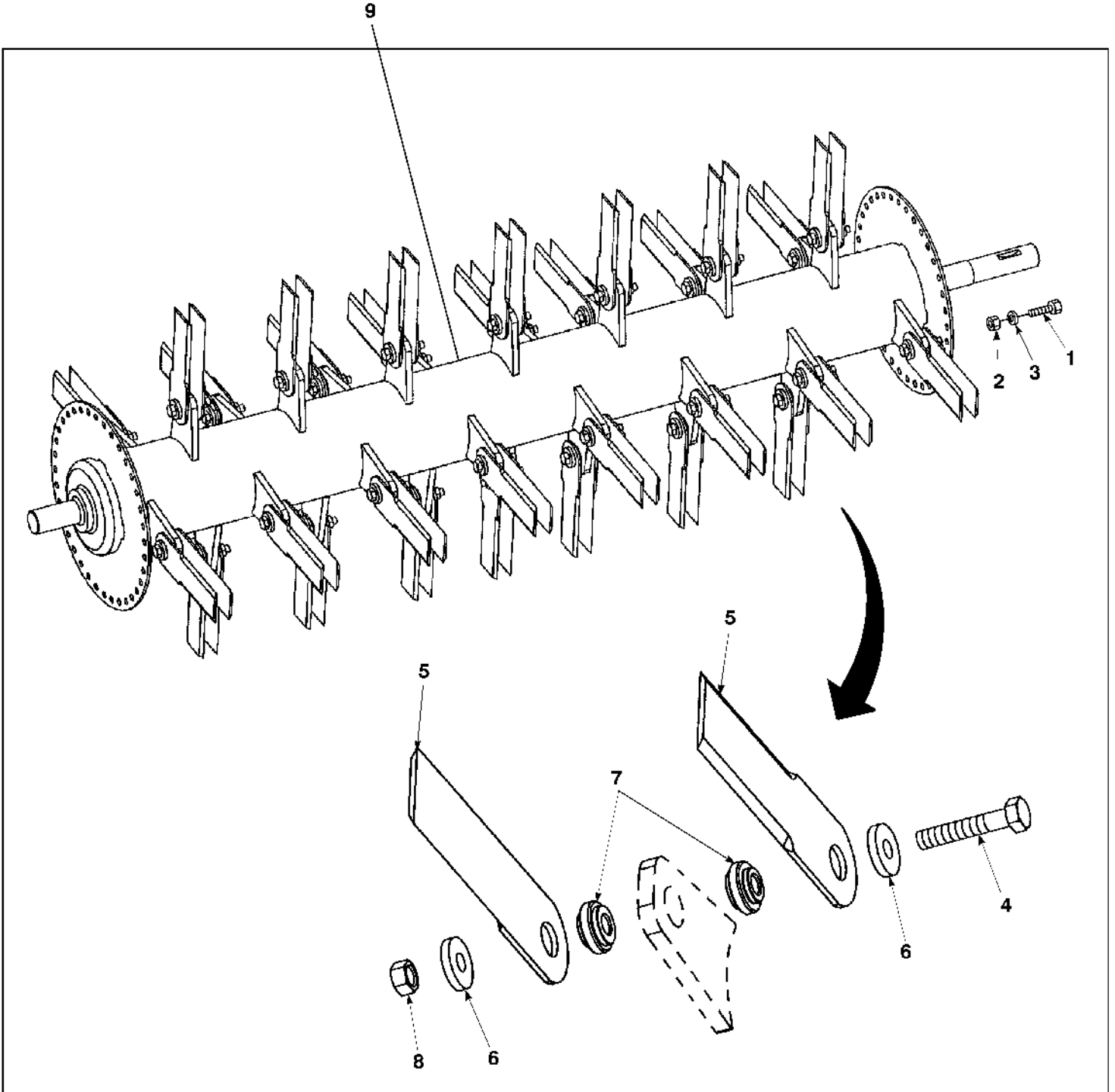
TRI ROTOR STRAW CHOPPER - CONTINUED

KEY	PART NO.	PART NAME	QTY	SERIAL NO.	REMARKS
1	H128080	WASHER	AR	9 X 19 X 1.5	
	H128081	WASHER	AR	9 X 31.8 X 1.5	
	H128082	WASHER	AR	9X 34.9 X 3	
	H128083	WASHER	AR	9 X 50.8 X 5	
2	H147304	WASHER	AR	9 X 34.9 X 5	
	H147302	BOLT	AR	3/4"	
	H128357	CAP SCREW	AR	1"	
	H128358	CAP SCREW	AR	1-1/4"	
	H128359	CAP SCREW	AR	1-1/2"	
	H128357	CAP SCREW	AR		
3	H143332	LOCK NUT	13		
	H149401	PIN	3		
4	H149401	PIN	3		
	AH124635	BLADE	1	SET OF 6 BLADES	
5	AH128359	BLADE	1	SET OF 36 BLADES	
	H146414	RETAINER	3		
6	H146414	RETAINER	3		
7	AH143426	ROTOR	1		

4H11

DRIVES

FINE CUT ROTOR STRAW CHOPPER (STRAIGHT NARROW)
HP6730 -UN-22MAY97



HP6730

4H12

DRIVES

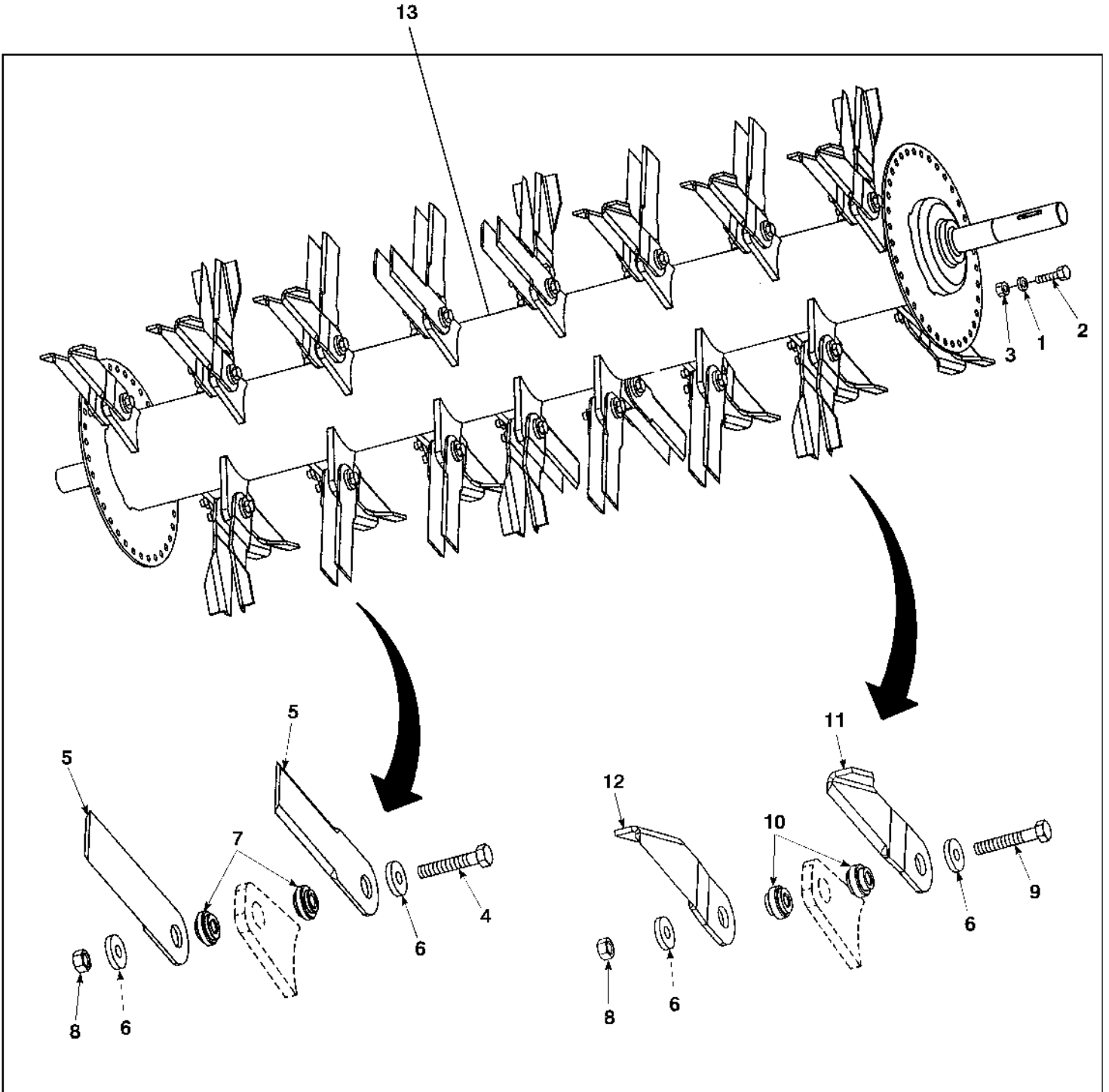
FINE CUT ROTOR STRAW CHOPPER (STRAIGHT NARRO - CONTINUED)

KEY	PART NO.	PART NAME	QTY	SERIAL NO.	REMARKS
1	H128080	WASHER	AR	9 X 19 X 1.5	
	H128081	WASHER	AR	9 X 31.8 X 1.5	
	H128082	WASHER	AR	9X 34.9 X 3	
2	H128083	WASHER	AR	9 X 50.8 X 5	
	H147304	WASHER	AR	9 X 34.9 X 5	
	H147302	BOLT	AR	3/4"	
	H128357	CAP SCREW	AR	1"	
	H128358	CAP SCREW	AR	1-1/4"	
	H128359	CAP SCREW	AR	1-1/2"	
3	H143332	LOCK NUT	AR	5/16"	
4	19M7935	CAP SCREW	30	M10 X 55	
5	H156098	BLADE	1	SET OF SIX BLADES	
6	H156101	WASHER	60		
7	H156100	BUSHING	60		
8	A51212	LOCK NUT	30	M10	
9	AH151537	ROTOR	1		

4H13

DRIVES

FINE CUT ROTOR STRAW CHOPPER (PADDLED NARROW)
HP6731 -UN-22MAY97



HP6731

4H14

DRIVES

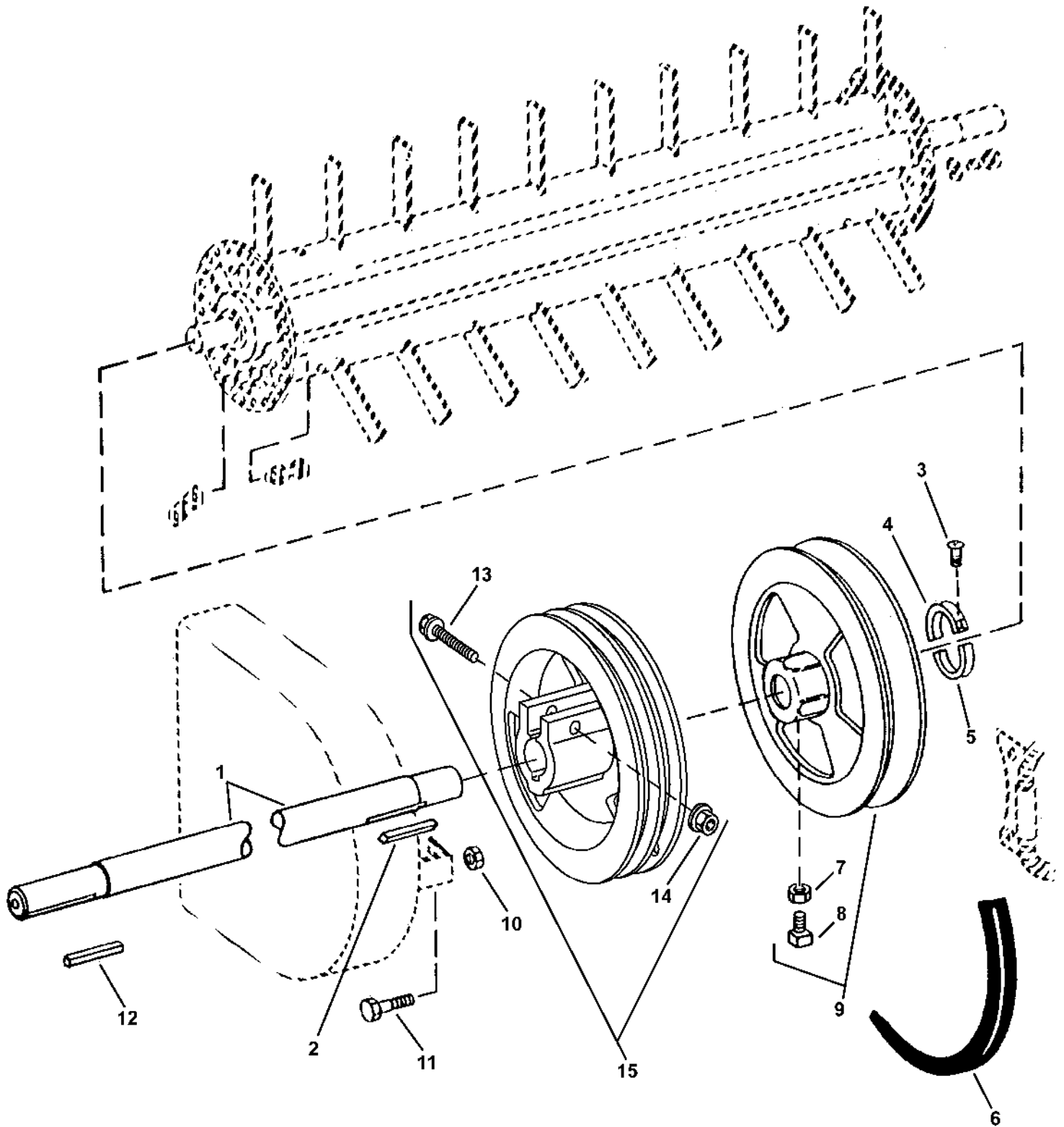
FINE CUT ROTOR STRAW CHOPPER (PADDLED NARROW) - CONTINUED

KEY	PART NO.	PART NAME	QTY	SERIAL NO.	REMARKS
1	H128080	WASHER	AR		9 X 19 X 1.5
	H128081	WASHER	AR		9 X 31.8 X 1.5
	H128082	WASHER	AR		9X 34.9 X 3
2	H128083	WASHER	AR		9 X 50.8 X 5
	H147304	WASHER	AR		9 X 34.9 X 5
	H147302	BOLT	AR		3/4"
	H128357	CAP SCREW	AR		1"
	H128358	CAP SCREW	AR		1-1/4"
	H128359	CAP SCREW	AR		1-1/2"
3	H143332	LOCK NUT	AR		5/16"
4	19M7935	CAP SCREW	12		M10 X 55
5	H156098	BLADE	24		STRAIGHT
6	H156101	WASHER	60		
7	H156100	BUSHING	24		
8	A51212	LOCK NUT	30		M10
9	19M8499	CAP SCREW	30		M10 X 60
10	H158364	BUSHING	36	-675771	(SERVICE ONLY)
	H167127	BUSHING	60	675772-	
11	H158405	BLADE	15	-675771	(SUB AH160606) PADDLED
12	H158404	BLADE	15	-675771	(SUB AH160606) PADDLED
13	AH151539	ROTOR	1	-675771	
	AH160426	ROTOR	1	675772-	
..	AH160606	BLADE	1	675772-	

4H15

DRIVES

STRAW CHOPPER, ROTOR AND SHEAVE
HP7504 -UN-14APR98



HP7504

4H16

DRIVES

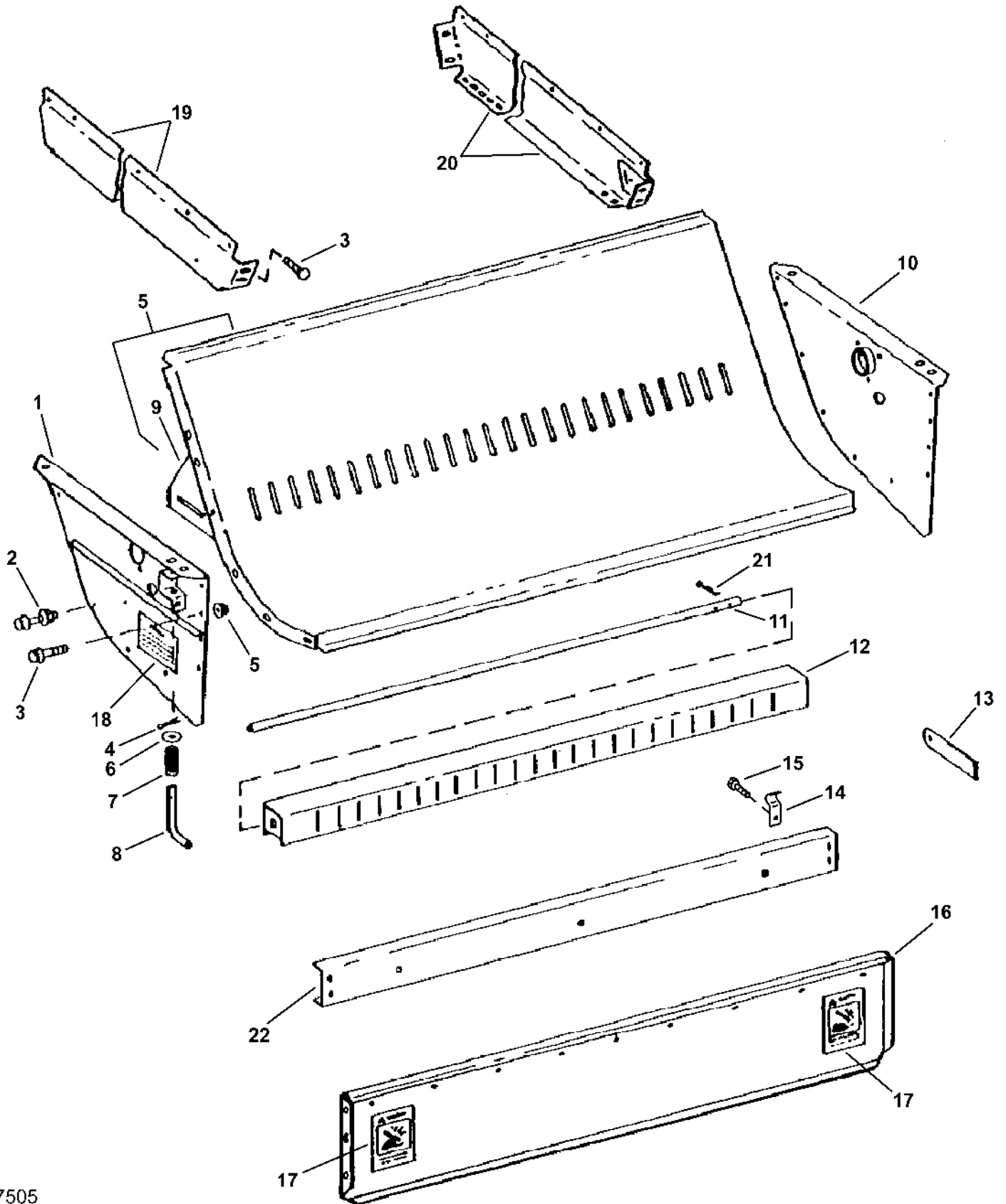
STRAW CHOPPER ROTOR AND SHEAVE - CONTINUED

KEY	PART NO.	PART NAME	QTY	SERIAL NO.	REMARKS
1	H145275	SHAFT	1		
2	H64374	SHAFT KEY	1		
	26H103	SHAFT KEY	1		1/4 X 2 1/8 IN, (FINE CUT CONVERSION)
3	H168924	SCREW	1		0.190" X 1"
4	H104794	ACTUATOR	1		
5	H104793	ACTUATOR	1		
6	H125381	BELT	1		
	H23950	BELT	1		
7	14M7152	NUT	1		M10
8	H138435	SET SCREW	1		
9	AH119770	SHEAVE	1		
10	14M7298	FLANGE NUT	1		M8
11	19M7865	SCREW	1		M8 X 16
12	H64375	SHAFT KEY	1		7 X 304 MM (5/16 X 12 IN) CUT TO LENGTH
13	19M7805	SCREW	1		M10 X 45, (FINE CUT CONVERSION)
14	14M7296	FLANGE NUT	1		M10, (FINE CUT CONVERSION)
15	AH148386	HOUSING	1		(FINE CUT CONVERSION)

4H17

DRIVES

STRAW CHOPPER HOUSING AND KNIFEBANK
HP7505 -UN-15APR98



HP7505

4H18

DRIVES

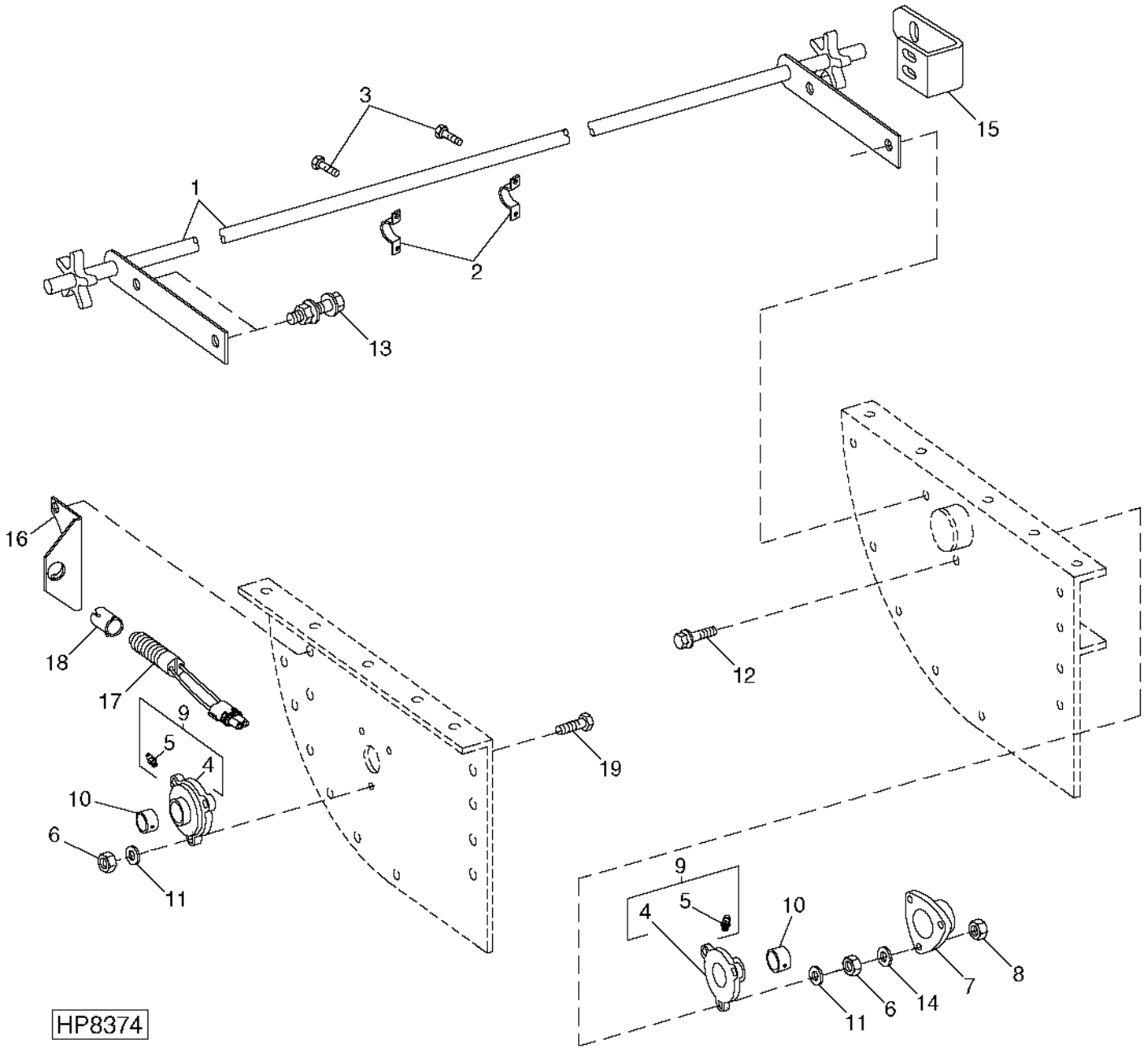
STRAW CHOPPER HOUSING AND KNIFE BANK - CONTINUED

KEY	PART NO.	PART NAME	QTY	SERIAL NO.	REMARKS
1	AH138156	SHEET	1	(SUB AH165937) L.H.	
	AH165937	SHEET	1	L.H.	
2	19M7866	SCREW	AR	M8 X 20	
3	19M7785	SCREW	4	M10 X 25	
4	11M7059	COTTER PIN	2	3.200 X 20 MM	
5	AH143048	SHEET	1		
6	24H1341	WASHER	2	17/32" X 15/16" X 0.060"	
7	B28970	SPRING	2		
8	H136179	PIN	2		
9	H149027	SUPPORT	1	WELDED	
10	AH138157	SHEET	1	(SUB AH165936) R.H.	
	AH165936	SHEET	1	R.H.	
11	H149992	PIN	1		
12	AH140129	CHANNEL	1		
	AH158821	CHANNEL	1	FINE CUT CHOPPER	
13	H142141	KNIFE	29		
14	H157163	CLIP	7	FINE CUT CHOPPER	
15	19M7867	SCREW	14	FINE CUT CHOPPER	
16	AH139791	SHEET	1		
17	H149102	DECAL	2	"WARNING" CHOPPER POSITION	
18	H171093	LABEL	2	CHOPPER POSITION - BOTH SIDES	
	H145858	LABEL	1	"WARNING" CHOPPER POSITION (FRENCH)	
19	AH139680	SUPPORT	1	L.H.	
20	AH139679	SUPPORT	1	R.H.	
21	H114001	QUICK LOCK PIN	1		
22	H145778	RAIL	1		
	H157042	SUPPORT	1	FINE CUT CHOPPER	
..	BH80529	COMPLETE GOODS/SHIP. BUNDLE	1	FINE CUT CHOPPED CONVERSION	

4H19

STRAW CHOPPER DRIVE SPROCKETS

HP8374 -UN-23JUL99



HP8374

4H20

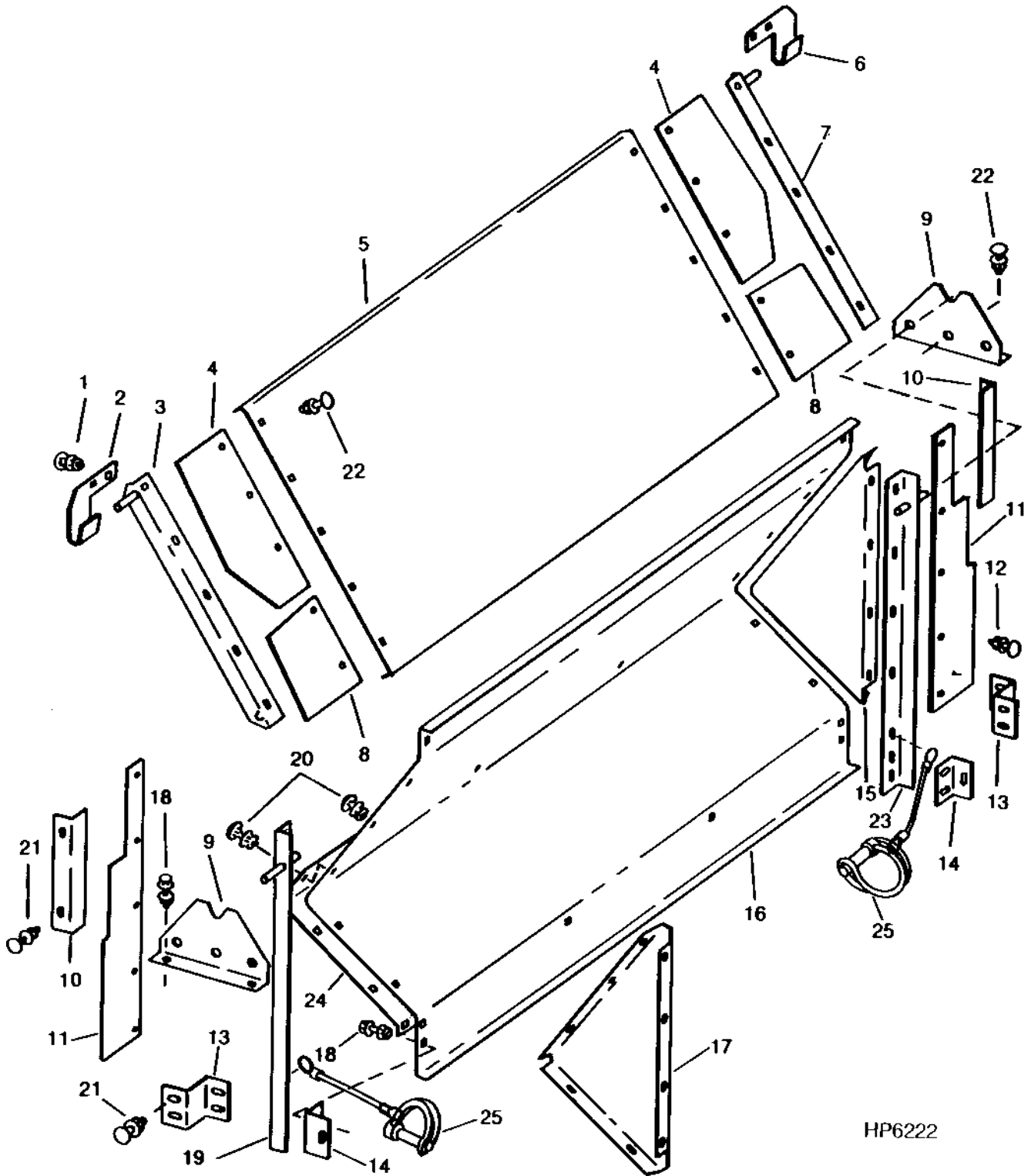
DRIVES

STRAW CHOPPER DRIVE SPROCKETS - CONTINUED

KEY	PART NO.	PART NAME	QTY	SERIAL NO.	REMARKS
1	AH135837	DRIVE SPROCKET	1		
2	H84990	CLAMP	2		
3	03M7184	BOLT	2	M8 X 20	
4	JD10387	BALL BEARING	1		
5	JD7844	LUBRICATION FITTING	1		
6	14M7337	NUT	1	M10	
7	H145319	COVER	1		
8	14M7274	NUT	3	M10	
	A51212	LOCK NUT	6	(USE WITH 19M7805 AND 19M7835)	
9	AH139260	BEARING	2		
10	JD8576	ECCENTRIC LOCKING COLLAR	2		
11	24M7239	WASHER	6	10.700 X 21 X 2.500 MM	
12	19M7805	SCREW	6	M10 X 45	
	19M7805	SCREW	3	M10 X 45, R.H. FINE CUT	
	19M7835	SCREW	3	M10 X 35, L.H. FINE CUT	
13	19M7867	SCREW	4	M8 X 25	
	14M7298	FLANGE NUT	4	M8	
14	24M7028	WASHER	3	10.500 X 20 X 2 MM	
	24M7239	WASHER	3	10.700 X 21 X 2.500 MM, FINE CUT	
15	H141388	SHIELD	2		
16	H165243	BRACKET	1		
17	AH116104	SENSOR	1		
18	H160880	CLIP	1		
19	19M7835	SCREW	3	M10 X 35	

4H21

STRAW CHOPPER UPPER REAR DOOR HP6222 -UN-23JAN96



4H22

DRIVES

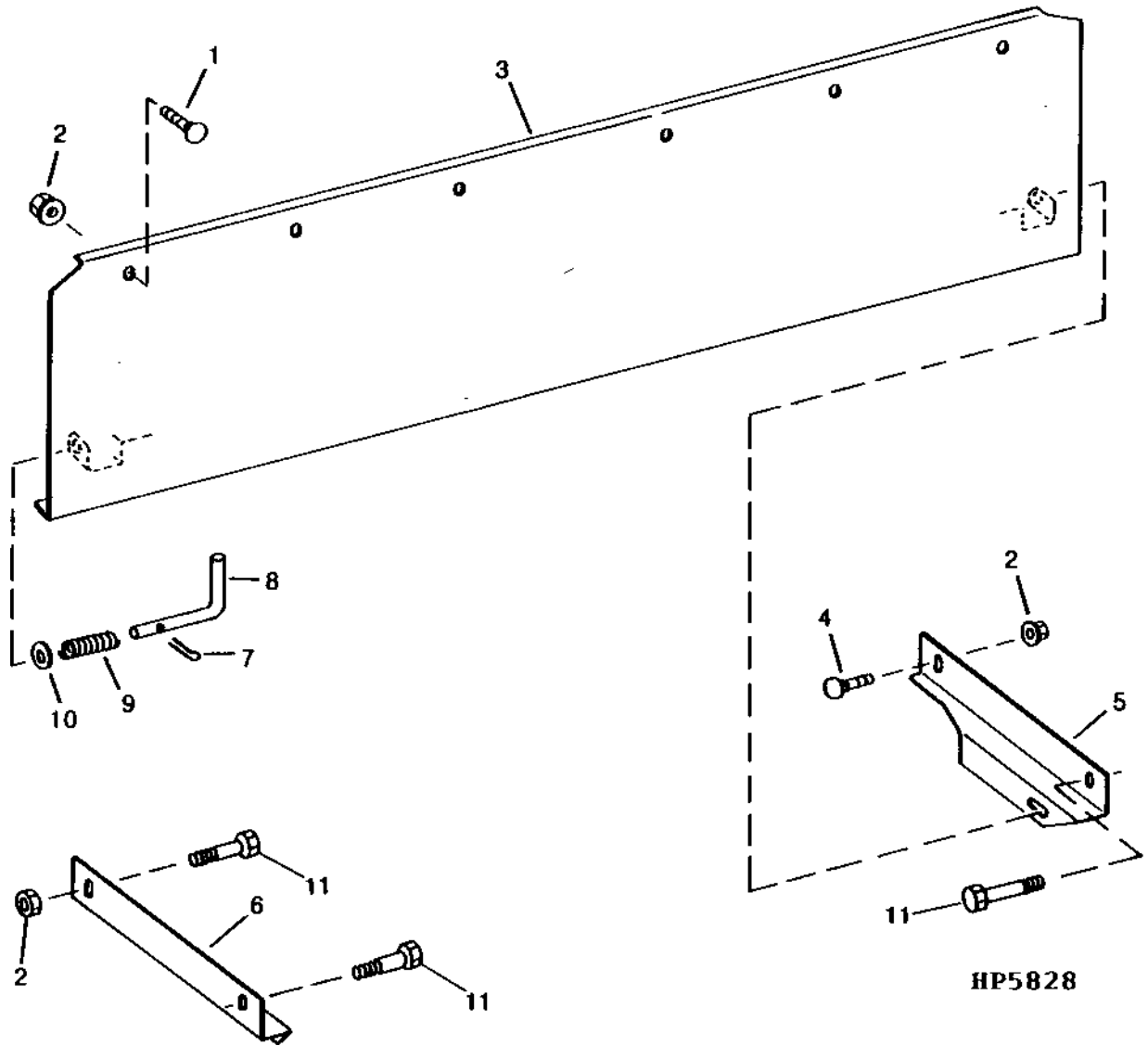
STRAW CHOPPER UPPER REAR DOOR - CONTINUED

KEY	PART NO.	PART NAME	QTY	SERIAL NO.	REMARKS
1	03M7183	BOLT	AR	M8 X 16	
	14M7396	LOCK NUT	AR	M8	
2	H145689	BRACKET	1		
3	AH139596	ANGLE	1		
4	H145686	STRAP	2		
5	H145683	DOOR	1		
6	H145688	BRACKET	1		
7	AH139595	ANGLE	1		
8	H145687	STRAP	2		
9	H147073	BRACKET	2		
10	H145695	ANGLE	2		
11	H147072	STRAP	2		
12	19M7866	SCREW	AR	M8 X 20	
	14M7396	LOCK NUT	AR	M8	
13	H147105	BRACKET	2		
14	H147106	ANGLE	2		
15	H145693	COVER	1		
16	H147104	DOOR	1		
17	H145694	COVER	1		
18	19M7866	SCREW	AR	M8 X 20	
	14M7396	LOCK NUT	AR	M8	
19	AH140995	ANGLE	1		
20	03M7184	BOLT	AR	M8 X 20	
	14M7396	LOCK NUT	AR	M8	
21	03M7183	BOLT	AR	M8 X 16	
	14M7298	FLANGE NUT	AR	M8	
22	03M7184	BOLT	AR	M8 X 20	
23	AH140994	ANGLE	1		
24	H147319	REINFORCEMENT	1	(CORN CONVERSION)	
25	AH148578	PIN	2		

4H23

DRIVES

STRAW CHOPPER LOWER DOOR
HP5828 -UN-01JAN94



4H24

DRIVES

STRAW CHOPPER LOWER DOOR - CONTINUED

KEY	PART NO.	PART NAME	QTY	SERIAL NO.	REMARKS
1	03M7191	BOLT	6		M10 X 25
2	14M7298	FLANGE NUT	10		M8
3	AH139988	DOOR	1		
4	03M7185	BOLT	2		M8 X 25
5	H146047	SUPPORT	1		R.H.
6	H146046	SUPPORT	1		L.H.
7	11M7059	COTTER PIN	2		3.200 X 20 MM
8	H136179	PIN	2		
9	B28970	SPRING	2		
10	24H1342	WASHER	2		17/32" X 1-1/4" X 0.036"
11	19M7866	SCREW	1		M8 X 20

4H25

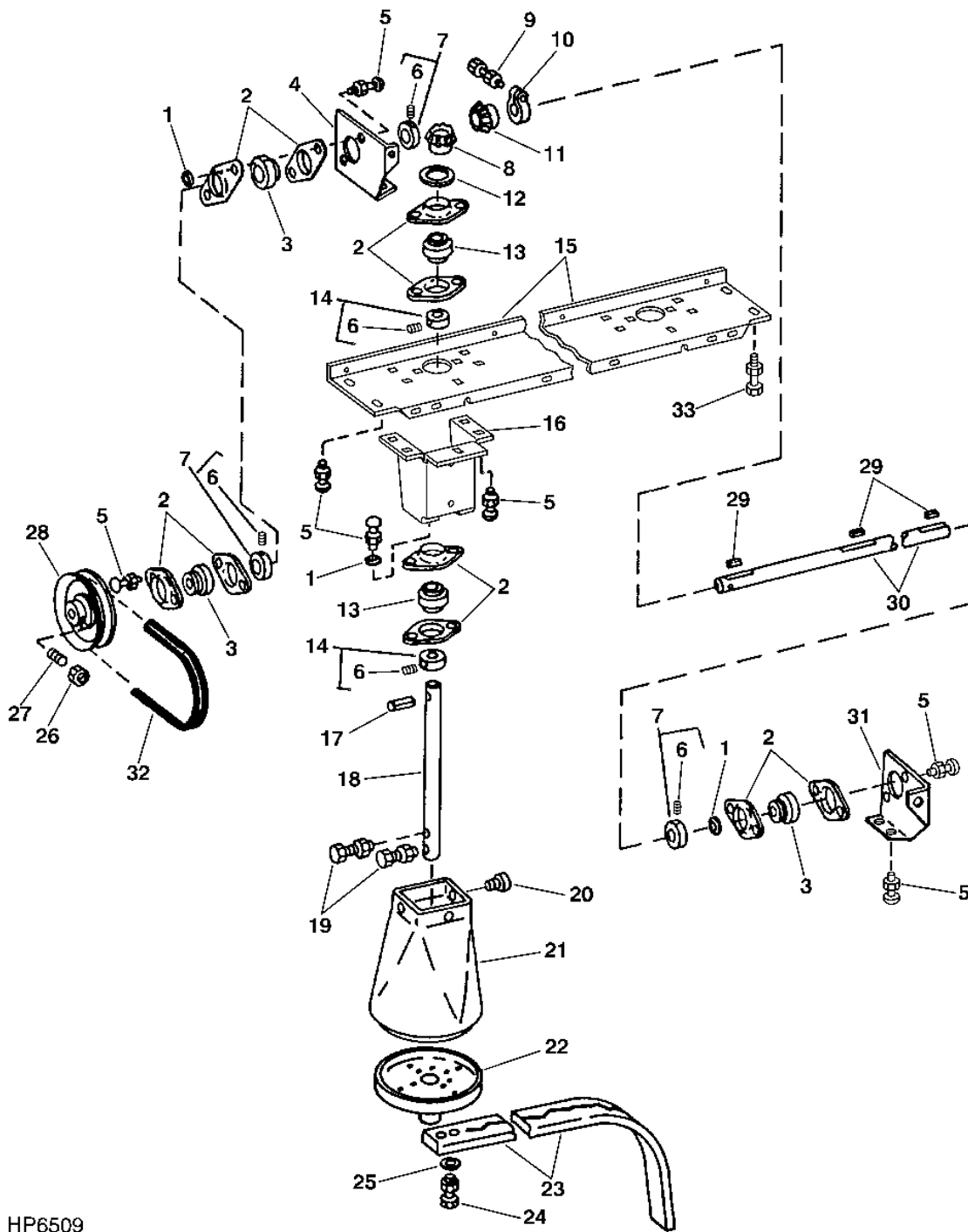
DRIVES

METRIC KEY STOCK KIT

KEY	PART NO.	PART NAME	QTY	SERIAL NO.	REMARKS
..	SHAFT KEY	3		5 X 305MM SQUARE (IN AH141142 KEY STOCK KIT) (CUT FROM H150267)
..	SHAFT KEY	3		6 X 305MM SQUARE (IN AH141142 KEY STOCK KIT) (CUT FROM H150268)
..	SHAFT KEY	1		8 X 305MM SQUARE (IN AH141142 KEY STOCK KIT) (CUT FROM H150275)
..	SHAFT KEY	2		8 X 7 X 305MM RECTANGULAR (IN AH141142 KEY STOCK KIT) (CUT FROM H150269)
..	SHAFT KEY	1		10 X 8 X 305 MM RECTANGULAR (IN AH141142 KEY STOCK KIT) (CUT FROM H150270)
..	SHAFT KEY	1		12 X 8 X 305MM RECTANGULAR (IN AH141142 KEY STOCK KIT) (CUT FROM H150271)
..	SHAFT KEY	1		14 X 8 X 305MM RECTANGULAR (IN AH141142 KEY STOCK KIT) (CUT FROM H150272)
..	AH141142	SHAFT KEY	1		

MEMORANDA

STRAW SPREADER
HP6509 -UN-15JUL96

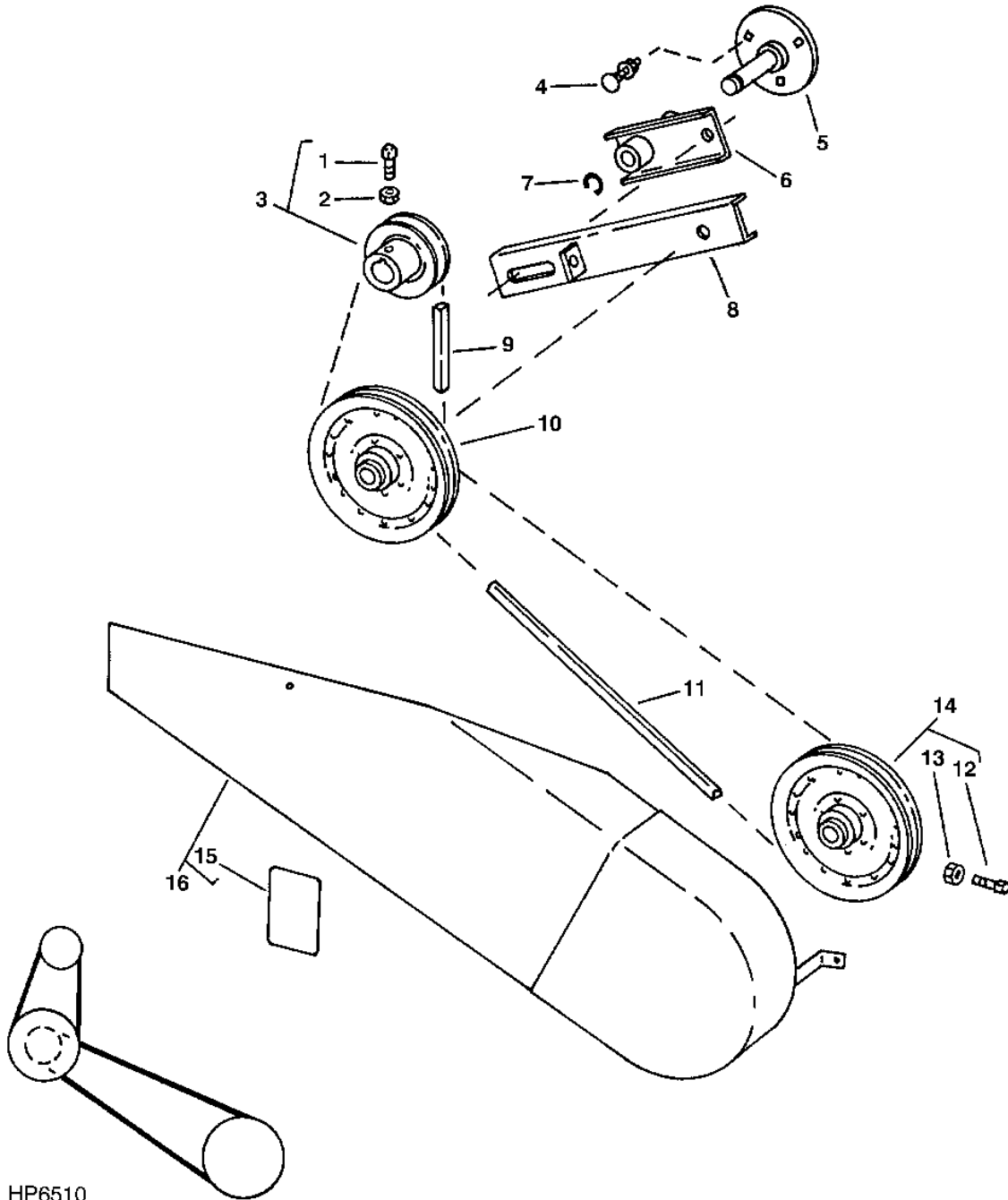


HP6509

STRAW SPREADER - CONTINUED

KEY	PART NO.	PART NAME	QTY	SERIAL NO.	REMARKS
1	24M7238	WASHER	10		
2	P44439	PRESSED FLANGED HOUSING	14		8.700 X 17 X 2 MM
3	JD8665	BALL BEARING	1		
4	H141000	BRACKET	1		
5	03M7184	BOLT	20		M8 X 20
	14M7298	FLANGE NUT	20		M8
6	SET SCREW	1		1/4"-20 X 1/4"
7	JD8554	ECCENTRIC LOCKING COLLAR	4		
8	H91228	GEAR	2		
9	19M7572	CAP SCREW	2		M10 X 45
	14M7296	FLANGE NUT	2		M10
10	H145112	CLAMP	2		
11	AH139115	KIT	1		(CONTAINS H91228 AND H91796)
12	24H1433	WASHER	2		29/32" X 2-1/4" X 1/4"
13	JD9442	BALL BEARING	4		
14	JD8563	ECCENTRIC LOCKING COLLAR	4		
15	H145919	SUPPORT	1		
16	AH131166	SUPPORT	2		
17	25H1182	GROOVE PIN	2		
18	H135494	PIN	2		
19	19M8318	SCREW	2		M8 X 45
	14M7396	LOCK NUT	2		M8
20	37M7058	SCREW	6		M8 X 20
21	H83795	GUARD	2		
22	AH141184	CAP	2		
23	H76933	BLADE	8		
24	19M7322	CAP SCREW	16		M8 X 35
	14M7396	LOCK NUT	16		M8
25	24M7207	WASHER	16		8.400 X 24 X 2 MM
26	14M7274	NUT	2		M10
27	H138435	SET SCREW	2		M10 X 25
28	AH137261	SHEAVE	1		
29	M15973	SHAFT KEY	3		(SUB H167587)
	H167587	KEY	3		
30	H143852	SHAFT	1		
31	H141161	BRACKET	1		
32	H128234	BELT	1		
33	19M7784	SCREW	4		M10 X 20
	14M7296	FLANGE NUT	4		M10
..	BH80117	COMPLETE GOODS/SHIP. BUNDLE	1		SPREADER WITH DRIVES
..	BH79677	COMPLETE GOODS/SHIP. BUNDLE	1		STRAW SPREADER

STRAW SPREADER DRIVES
HP6510 -UN-15JUL96

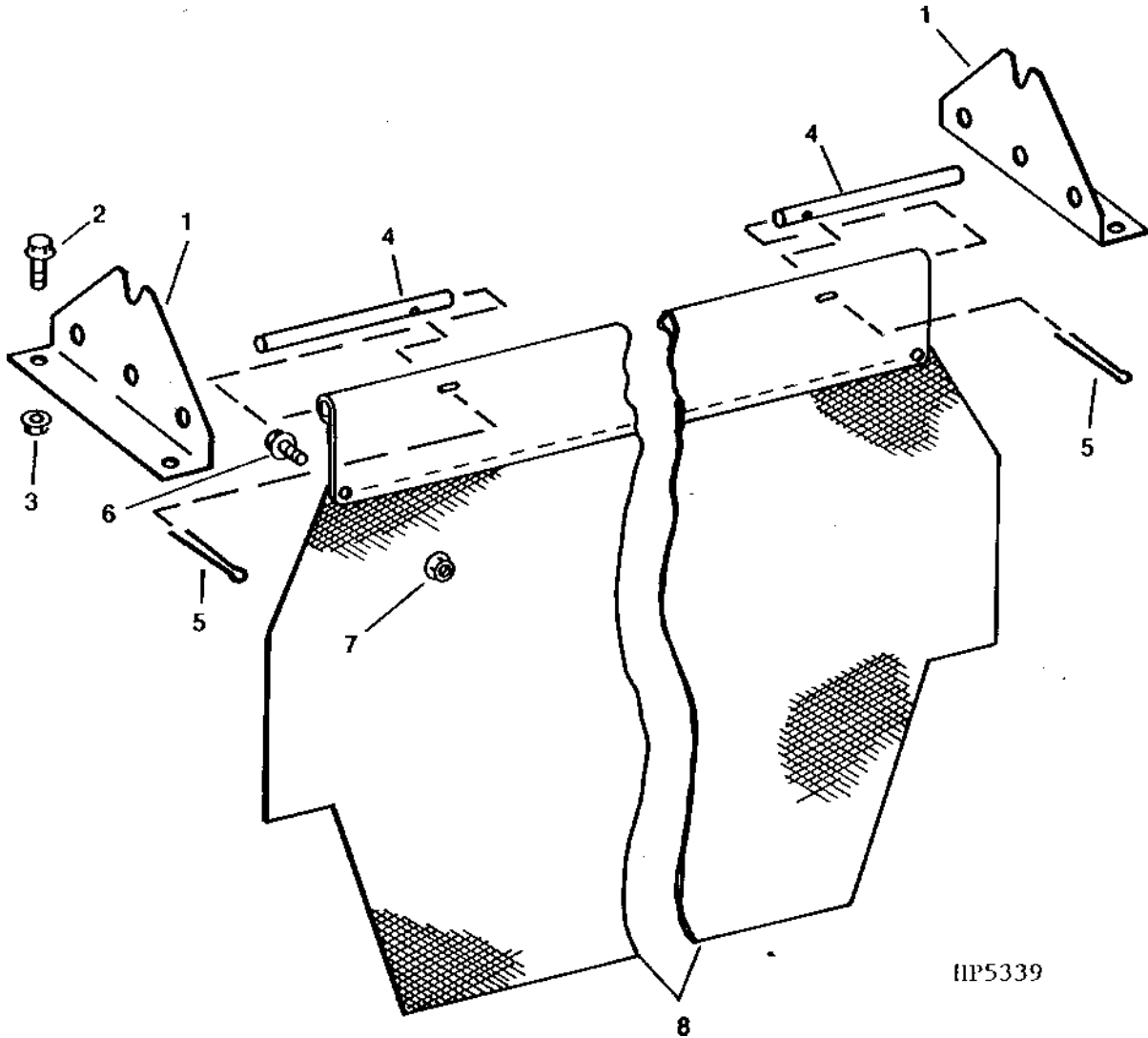


HP6510

STRAW SPREADER DRIVES - CONTINUED

KEY	PART NO.	PART NAME	QTY	SERIAL NO.	REMARKS
1	H138435	SET SCREW	2	M10 X 25	
2	14M7274	NUT	2	M10	
3	AH137260	SHEAVE	2		
4	03M7191	BOLT	3		
	14M7296	FLANGE NUT	3		
5	AH134593	PIVOT	1		
6	AH138746	CHANNEL	1		
7	P46402	SNAP RING	1		
8	AH139982	ARM	1		
9	E61326	BELT	1		
10	AH137393	SHEAVE	1		
11	H145528	BELT	1		
12	H138435	SET SCREW	1		
13	14M7274	NUT	1	M10	
14	AH137261	SHEAVE	1		
15	H149096	LABEL	1		"PROJECTILE WARNING" ON R.H. REAR HOOD
16	AH147698	SHIELD	1		

UPPER SPREADER CURTAIN
HP5339 -UN-01JAN94

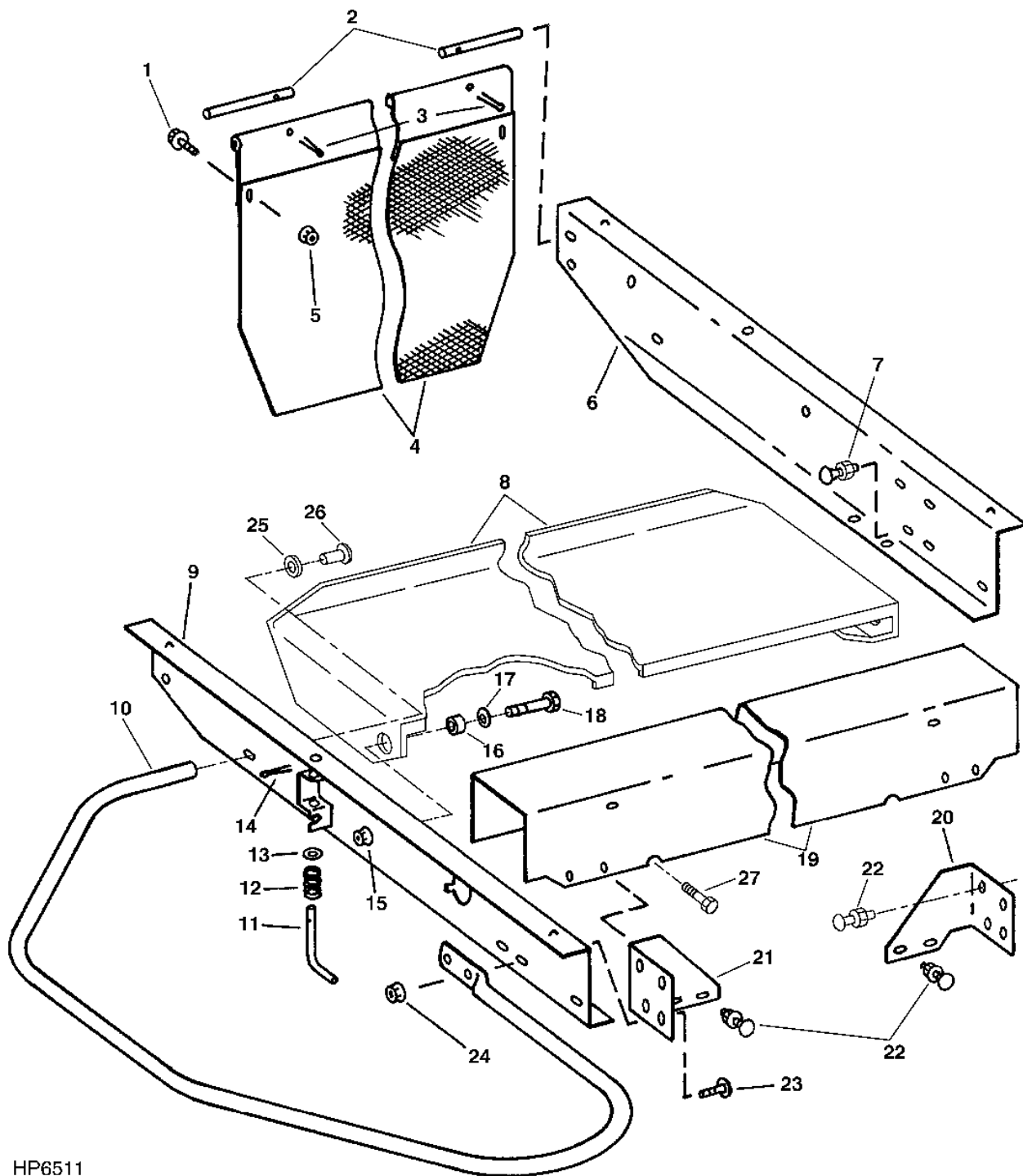


UPPER SPREADER CURTAIN - CONTINUED

KEY	PART NO.	PART NAME	QTY	SERIAL NO.	REMARKS
1	H147073	BRACKET	2		
2	19M7866	SCREW	4	M8 X 20	
3	14M7298	FLANGE NUT	4	M8	
4	H131865	PIN	2		
5	11M7086	COTTER PIN	2	2.500 X 50 MM	
6	19M7865	SCREW	2	M8 X 16	
7	14M7298	FLANGE NUT	2	M8	
8	AH140051	LIMIT CURTAIN	1		
..	BH80117	COMPLETE GOODS/SHIP. BUNDLE	1		CHAFF SPREADER WITH 4-WHEEL DRIVE

STRAW SPREADER FRAME AND LOWER CURTAIN

HP6511 -UN-15JUL96



HP6511

4110

RESIDUE DISPOSAL

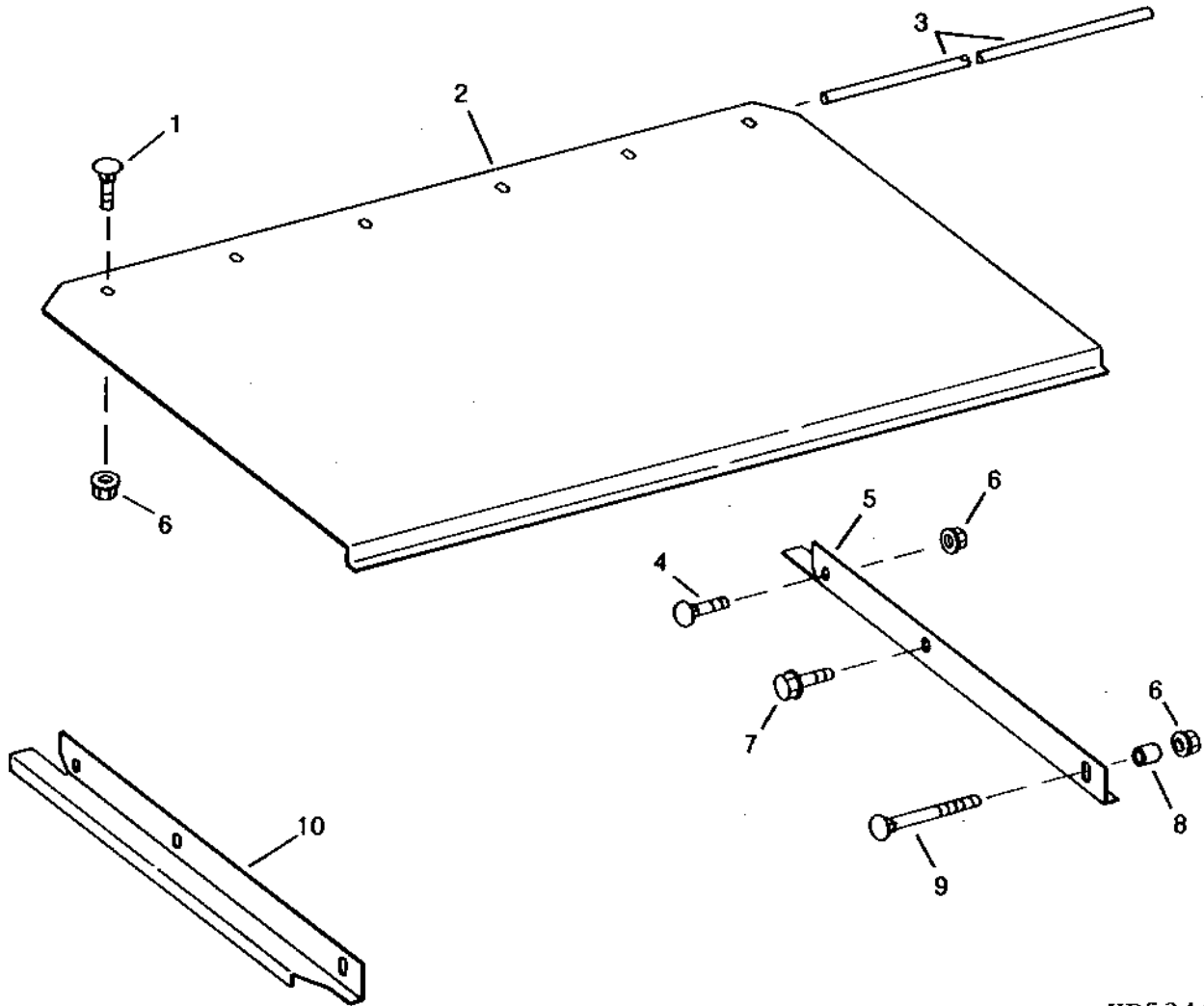
STRAW SPREADER FRAME AND LOWER CURTAIN - CONTINUED

KEY	PART NO.	PART NAME	QTY	SERIAL NO.	REMARKS
1	19M7865	SCREW	2		
2	H131865	PIN	2		
3	11M7086	COTTER PIN	2		
4	AH135658	LIMIT CURTAIN	1		
5	14M7298	FLANGE NUT	2		M8
6	AH141355	PLATE	1		
7	03M7188	BOLT	2		M8 X 40
	14M7298	FLANGE NUT	2		M8
8	AH141216	PLATFORM	1		
9	AH141356	PLATE	1		
10	AH137688	GUARD	2		
11	H136179	PIN	2		
12	B28970	SPRING	2		
13	24H1341	WASHER	2		17/32" X 15/16" X 0.060"
14	11M7059	COTTER PIN	2		
15	14M7299	FLANGE NUT	2		M12
16	M40613	BUSHING	2		
17	24M7180	WASHER	2		
18	19M7791	SCREW	2		
19	H145922	CHANNEL	1		
20	H145920	BRACE	1		
21	H145921	BRACE	1		
22	03M7184	BOLT	8		M8 X 20
	14M7298	FLANGE NUT	8		M8
23	03M7185	BOLT	4		M8 X 25
24	14M7298	FLANGE NUT	6		M8
25	24M7180	WASHER	2		
26	19H1792	CAP SCREW	2		1/2" X 1"
27	37M7058	SCREW	6		
..	BH80117	COMPLETE GOODS/SHIP. BUNDLE	1		CHAFF SPREADER WITH 4-WHEEL DRIVE

4111

RESIDUE DISPOSAL

STRAW SPREADER DOOR
HP5346 -UN-01JAN94

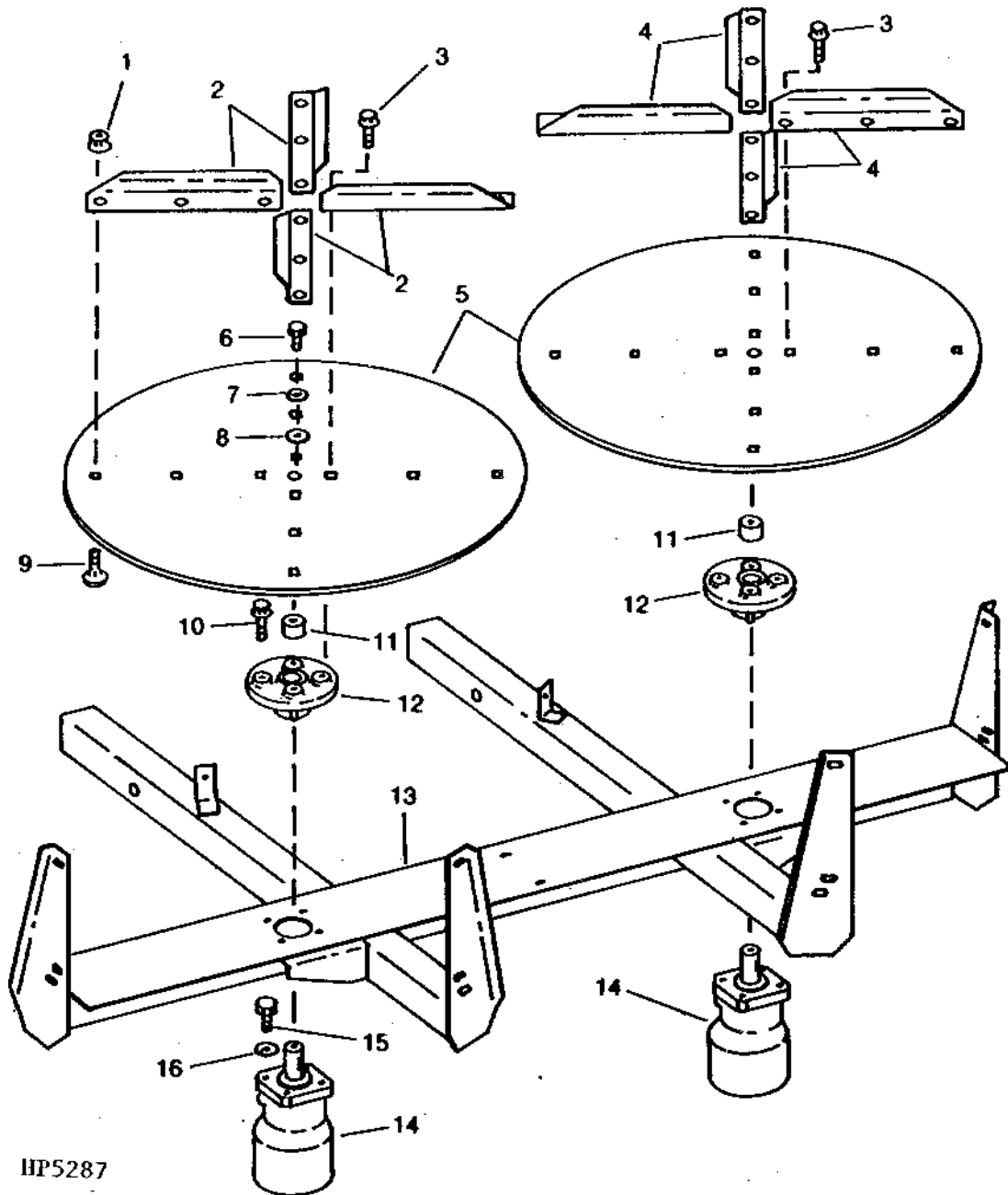


HP5346

STRAW SPREADER DOOR - CONTINUED

KEY	PART NO.	PART NAME	QTY	SERIAL NO.	REMARKS
1	03M7191	BOLT	6		
2	AH139989	DOOR	1		
3	H143679	PIN	1		
4	03M7185	BOLT	2		M8 X 25
5	H146049	SUPPORT	1		R.H.
6	14M7298	FLANGE NUT	10		M8
7	19M7866	SCREW	2		
8	28H1635	SPACER	2		0.493" X 0.675" X 2-1/8"
9	03M7267	BOLT	2		M8 X 80
10	H146048	SUPPORT	1		L.H.
..	BH80117	COMPLETE GOODS/SHIP. BUNDLE	1		CHAFF SPREADER WITH 4-WHEEL DRIVE

CHAFF SPREADER DISC (DUAL MOTOR) AND FRAME
HP5287 -UN-01JAN94



HP5287

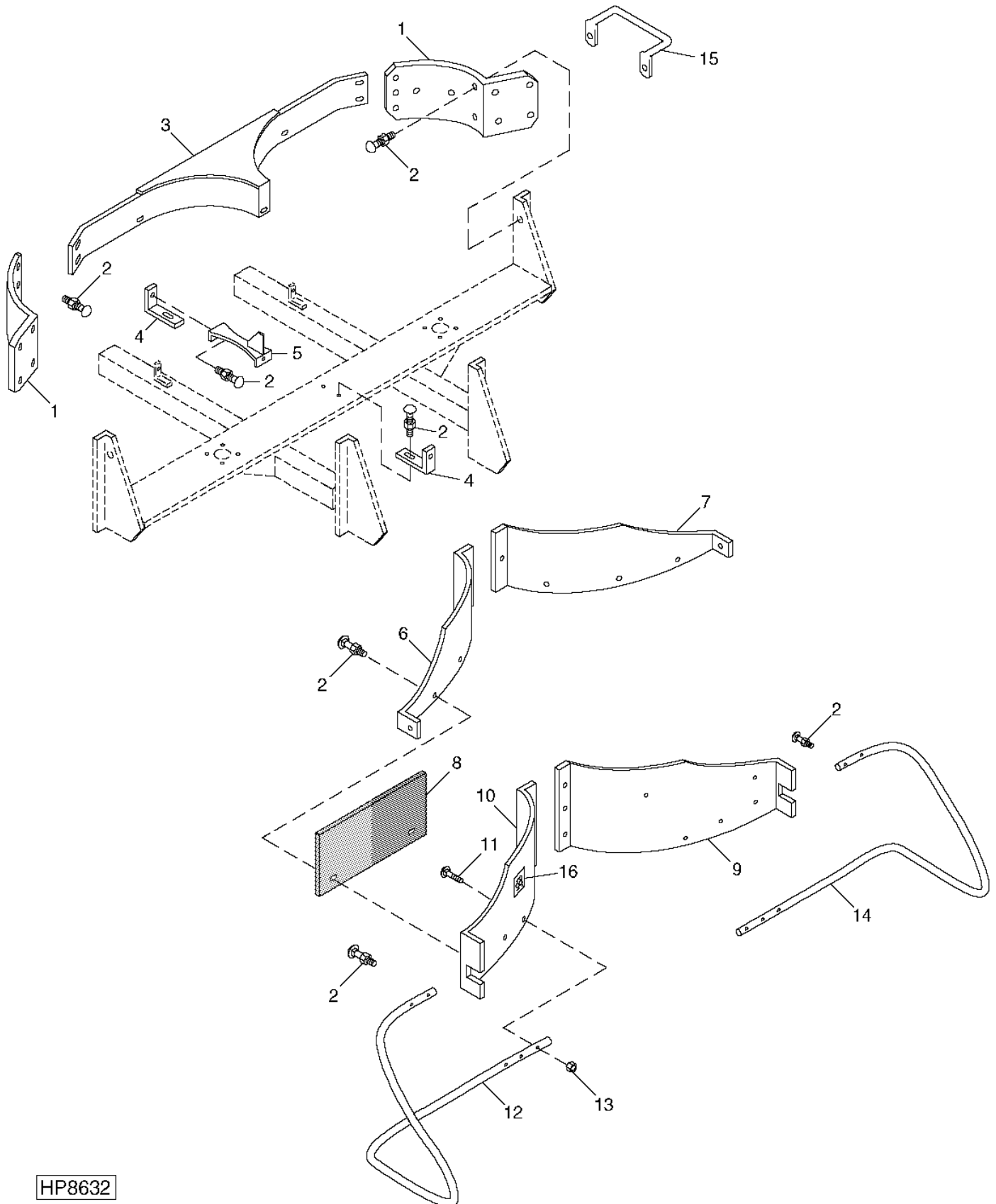
CHAFF SPREADER DISC (DUAL MOTOR) AND FRAME - CONTINUED

KEY	PART NO.	PART NAME	QTY	SERIAL NO.	REMARKS
1	14M7396	LOCK NUT	16	M8	
2	H140162	ANGLE	4		
3	19M7865	SCREW	8	M8 X 16	
4	H140161	ANGLE	4		
5	H136257	DISK	2		
6	19H1898	CAP SCREW	2	1/4" X 1-1/2"	
7	12H302	LOCK WASHER	2	1/4"	
8	24H1287	WASHER	2	9/32" X 5/8" X 0.065"	
9	03M7184	BOLT	16	M8 X 20	
10	19M7865	SCREW	8	M8 X 16	
11	H123918	SPACER	2		
12	H143955	HUB	2		
13	AH137752	FRAME	1		
14	AH141858	MOTOR	2		
15	19H1731	CAP SCREW	8	3/8" X 1"	
16	12H304	LOCK WASHER	8	3/8"	

4115

CHAFF SPREADER (DUAL MOTOR) SHIELDS AND HANDLES

HP8632 -UN-23JUL99



HP8632

4116

RESIDUE DISPOSAL

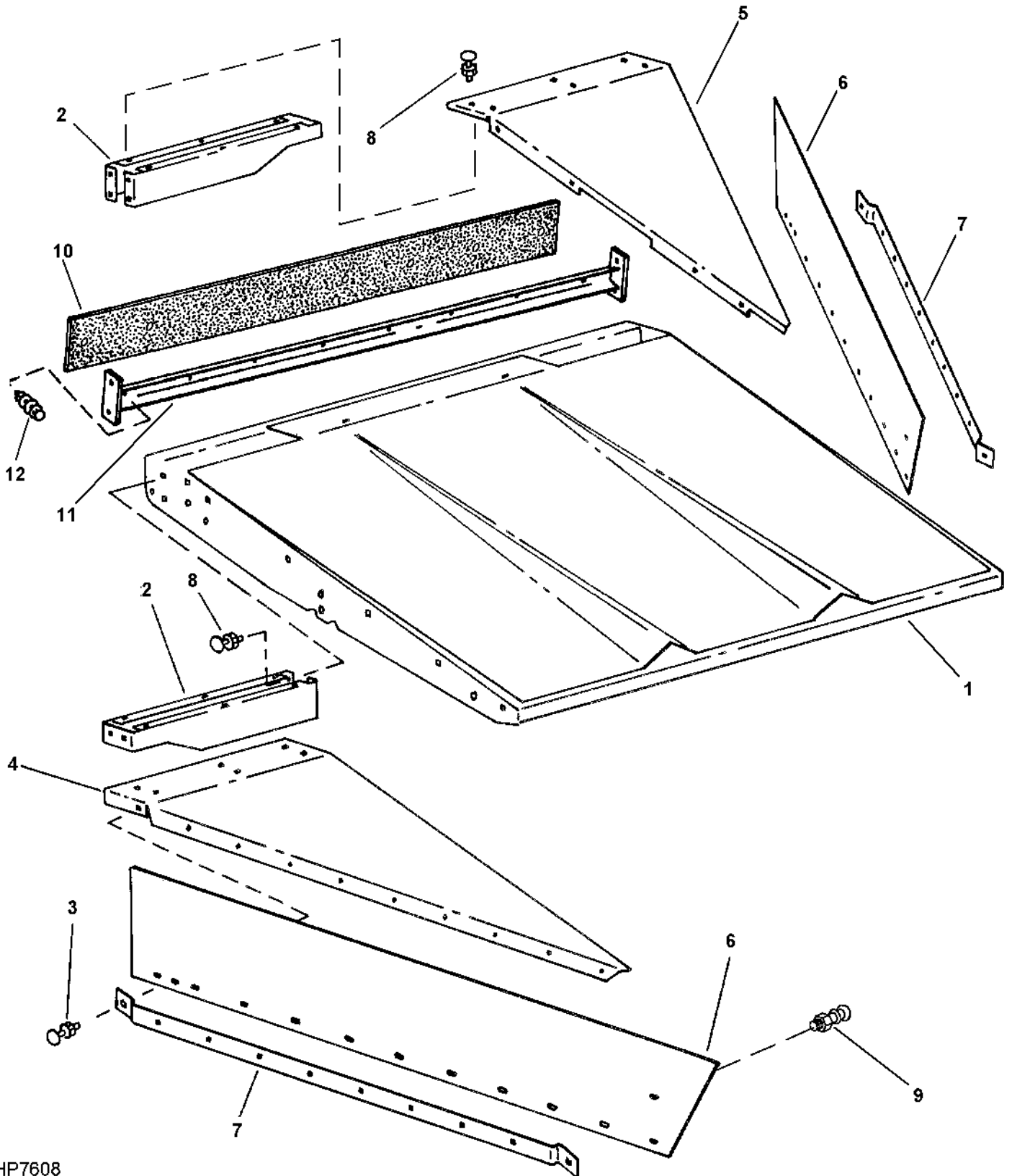
CHAFF SPREADER (DUAL MOTOR) SHIELDS AND HANDLES - CONTINUED

KEY	PART NO.	PART NAME	QTY	SERIAL NO.	REMARKS
1	H146011	SHIELD	2		
2	03M7184	BOLT	21		M8 X 20
	14M7298	FLANGE NUT	21		M8
3	AH137753	SHIELD	1		
4	H143948	BRACKET	2		
5	AH141652	DUST SHIELD	1		
6	H145096	SHIELD	1		
7	H145095	SHIELD	1		
8	H148107	DUST SHIELD	1		
9	H143950	SHIELD	1		
10	H143949	SHIELD	1		
11	03M7223	BOLT	6		M8 X 60
12	H143952	TUBE	1		
13	14M7298	FLANGE NUT	6		M8
14	H143951	TUBE	1		
15	M112639	STOP	2		
16	H139988	LABEL	1		

4117

RESIDUE DISPOSAL

CHAFF SPREADER (DUAL MOTOR) PAN, WINGS AND SEALS
HP7608 -UN-31AUG98



HP7608

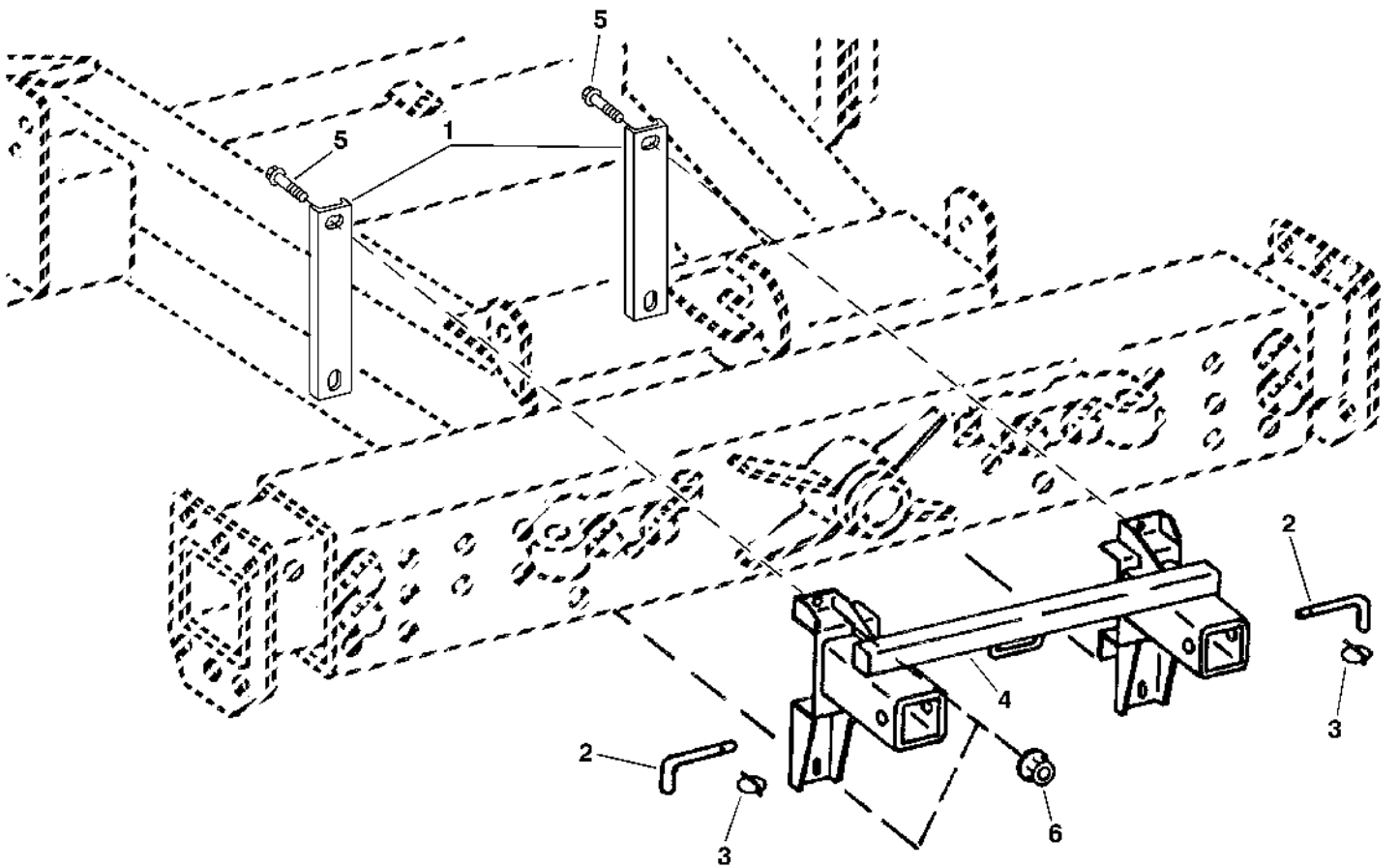
CHAFF SPREADER (DUAL MOTOR) PAN, WINGS AND SEALS - CONTINUED

KEY	PART NO.	PART NAME	QTY	SERIAL NO.	REMARKS
1	AH137975	FRAME	1		
2	H144161	SUPPORT	2		
3	03M7184	BOLT	20	29SE98-	M8 X 20
	14M7298	FLANGE NUT	20	29SE98-	M8
4	H144157	SHEET	1		
5	H144158	SHEET	1		
6	H148025	DEFLECTOR	2		
7	H144163	STRAP	2		
8	03M7184	BOLT	28	29SE98-	M8 X 20
	14M7298	FLANGE NUT	28	29SE98-	M8
9	03M7184	BOLT	2	29SE98-	M8 X 20
	24M7207	WASHER	2	29SE98-	8.400 X 24 X 2 MM
	14M7396	LOCK NUT	2	29SE98-	M8
10	H135844	FLAP	1	29SE98-	
11	AH132361	CROSSBAR	1	29SE98-	
12	19M7863	SCREW	9	29SE98-	M6 X 25
	24M7207	WASHER	9	29SE98-	8.400 X 24 X 2 MM
	14M7303	FLANGE NUT	9	29SE98-	M6
..	BH79815	COMPLETE GOODS/SHIP. BUNDLE	1		CHAFF PAN WING AND EXTERNAL BUNDLE

4119

RESIDUE DISPOSAL

CHAFF SPREADER MOUNTING SUPPORT
HP7198 -UN-23OCT97



HP7198

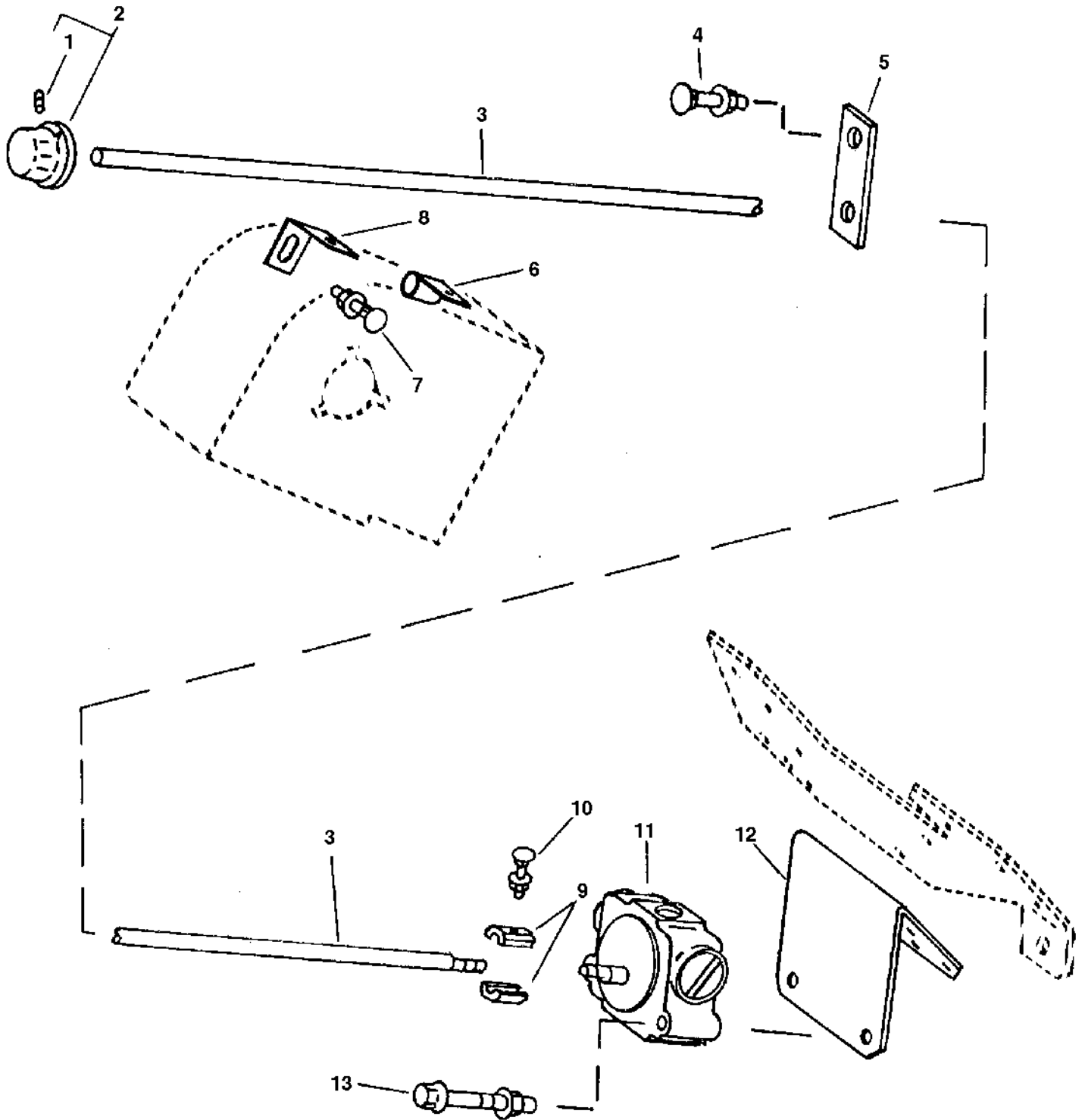
4120

RESIDUE DISPOSAL

CHAFF SPREADER MOUNTING SUPPORT - CONTINUED

KEY	PART NO.	PART NAME	QTY	SERIAL NO.	REMARKS
1	H164605	CHANNEL	2		
2	H139005	PIN	2		
3	M72598	QUICK LOCK PIN	2		
4	AH137751	SUPPORT	1		
5	19M7822	SCREW	2		
6	14M7299	FLANGE NUT	4	M12	

CHAFF SPREADER CONTROL, CHECK VALVE, ROD AND KNOB
HP7208 -UN-09OCT97



HP7208

4122

RESIDUE DISPOSAL

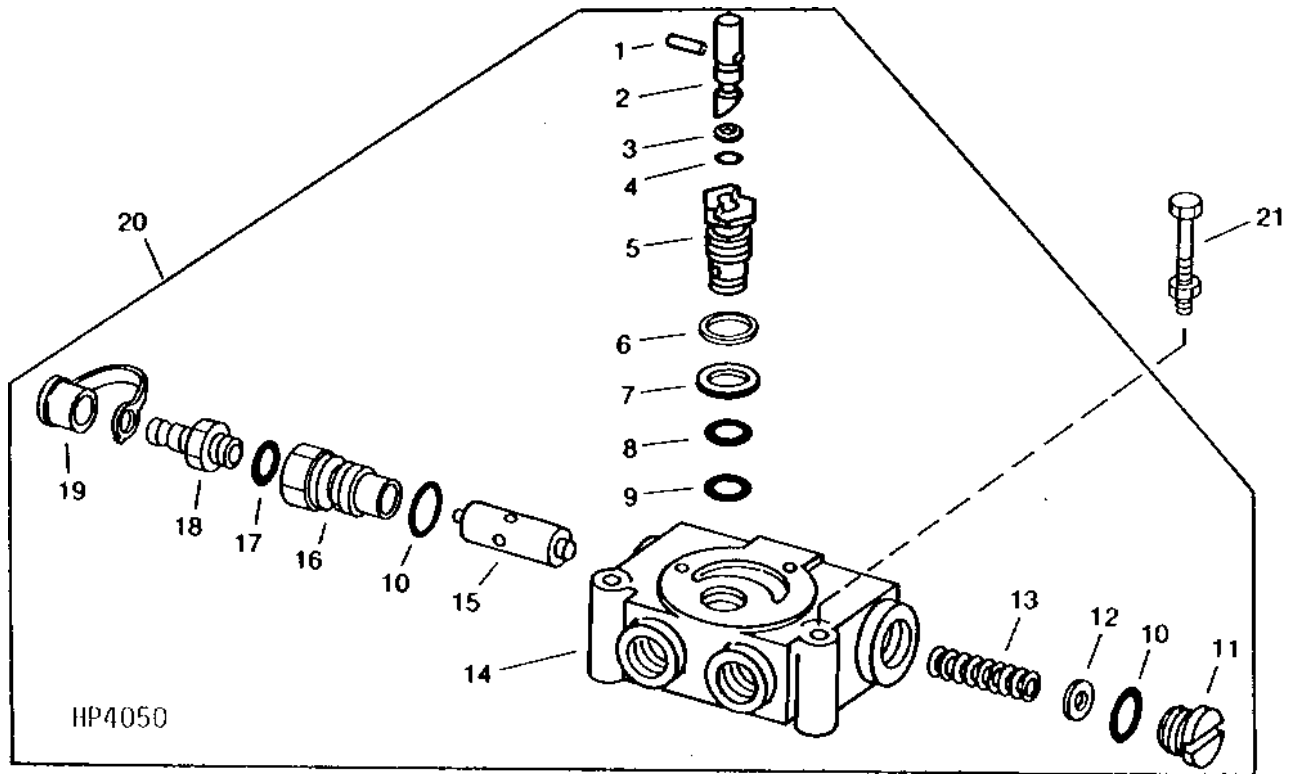
CHAFF SPREADER CONTROL, CHECK VALVE, ROD AND KNOB - CONTINUED

KEY	PART NO.	PART NAME	QTY	SERIAL NO.	REMARKS
1	SET SCREW	2		
2	AH132988	KNOB	1		
3	H144896	PIN	1		
4	37M7183	SCREW	1		
	14M7298	FLANGE NUT	1	M8	
5	H139006	STRAP	1		
6	AH11015	CLIP	1		
7	03M7184	BOLT	1	M8 X 20	
	14M7298	FLANGE NUT	1	M8	
8	H137866	BRACKET	1		
9	H114020	HALF CLAMP	2		
10	19M7775	SCREW	1	M6 X 16	
	14M7303	FLANGE NUT	1	M6	
11	AH140902	CHECK VALVE	1		
12	H137865	BRACKET	1		
13	19M7979	SCREW	2	M8 X 55	
	14M7298	FLANGE NUT	2	M8	

4123

RESIDUE DISPOSAL

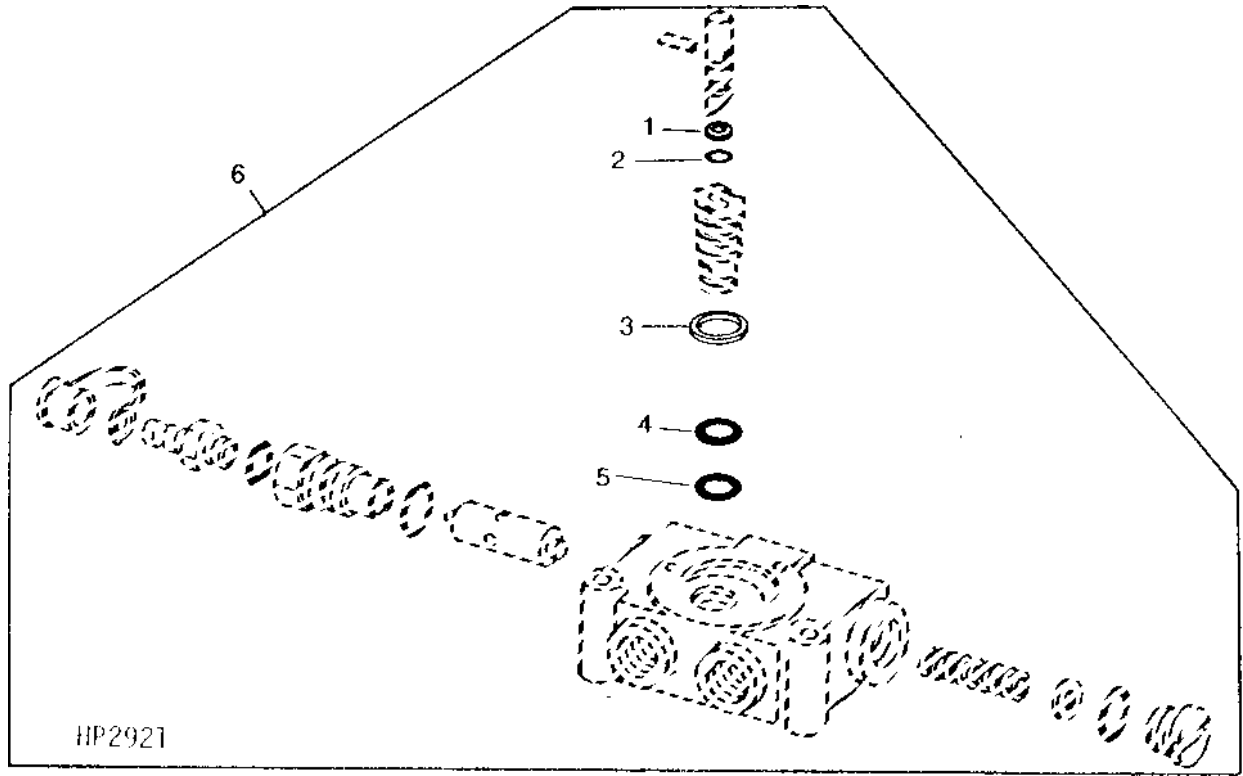
REEL DRIVE FLOW CONTROL VALVE
HP4050 -UN-01JAN94



REEL DRIVE FLOW CONTROL VALVE - CONTINUED

KEY	PART NO.	PART NAME	QTY	SERIAL NO.	REMARKS
1	GROOVE PIN	1	(KIT AH140903)	
2	SPOOL	1	(KIT AH140903)	
3	BACK-UP RING	1	(KIT AH136248 OR AH140903)	
4	O-RING	1	(KIT AH136248 OR AH140903)	
5	PLUG	1	(KIT AH140903)	
6	SHIM	AR	(KIT AH140903)	
7	BACK-UP RING	1	(KIT AH136248 OR AH140903)	
8	O-RING	1	(KIT AH136248 OR AH140903)	
9	O-RING	1	(KIT AH136248 OR AH140903)	
10	H63289	O-RING	2		
11	PLUG	1		
12	SHIM	1		
13	SPRING	1		
14	HOUSING	1		
15	VALVE	1		
16	PLUG	1		
17	R26448	O-RING	1		
18	AH125760	HYD. QUICK-CONNECT COUPLER	1		DIAGNOSTIC
19	R77175	COVER	1		
20	AH140902	CHECK VALVE	1		
21	19M7801	SCREW	2		M8 X 60
	14M7298	FLANGE NUT	2		M8
..	AH140903	KIT	1		
..	AH136248	SEAL KIT	1		

SEAL REPAIR KIT FOR REEL DRIVE FLOW CONTROL VALVE
 HP2921 -UN-01JAN94



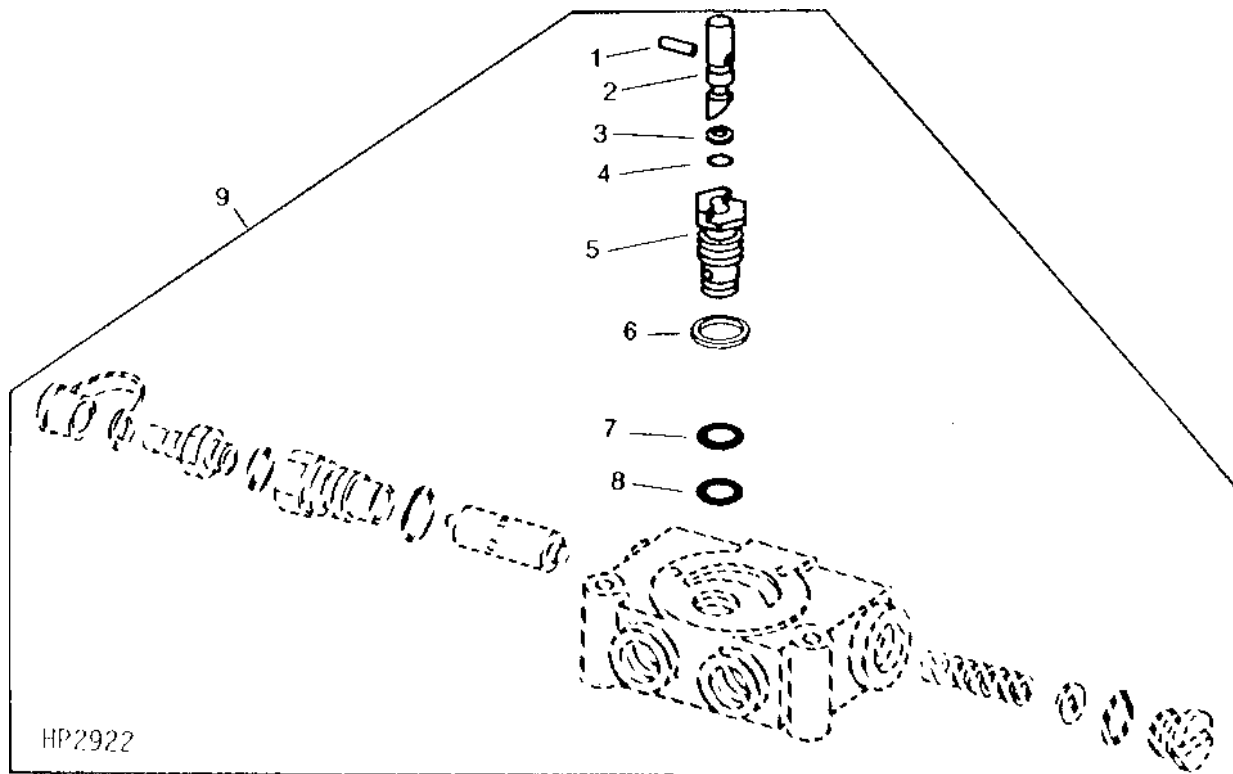
KEY	PART NO.	PART NAME	QTY	SERIAL NO.	REMARKS
1	BACK-UP RING	1		
2	O-RING	1		
3	BACK-UP RING	1		
4	O-RING	1		
5	O-RING	1		
6	AH136248	SEAL KIT	1		

4J1

RESIDUE DISPOSAL

ADJUSTING SCREW KIT FOR REEL DRIVE FLOW CONTROL VALVE

HP2922 -UN-01JAN94

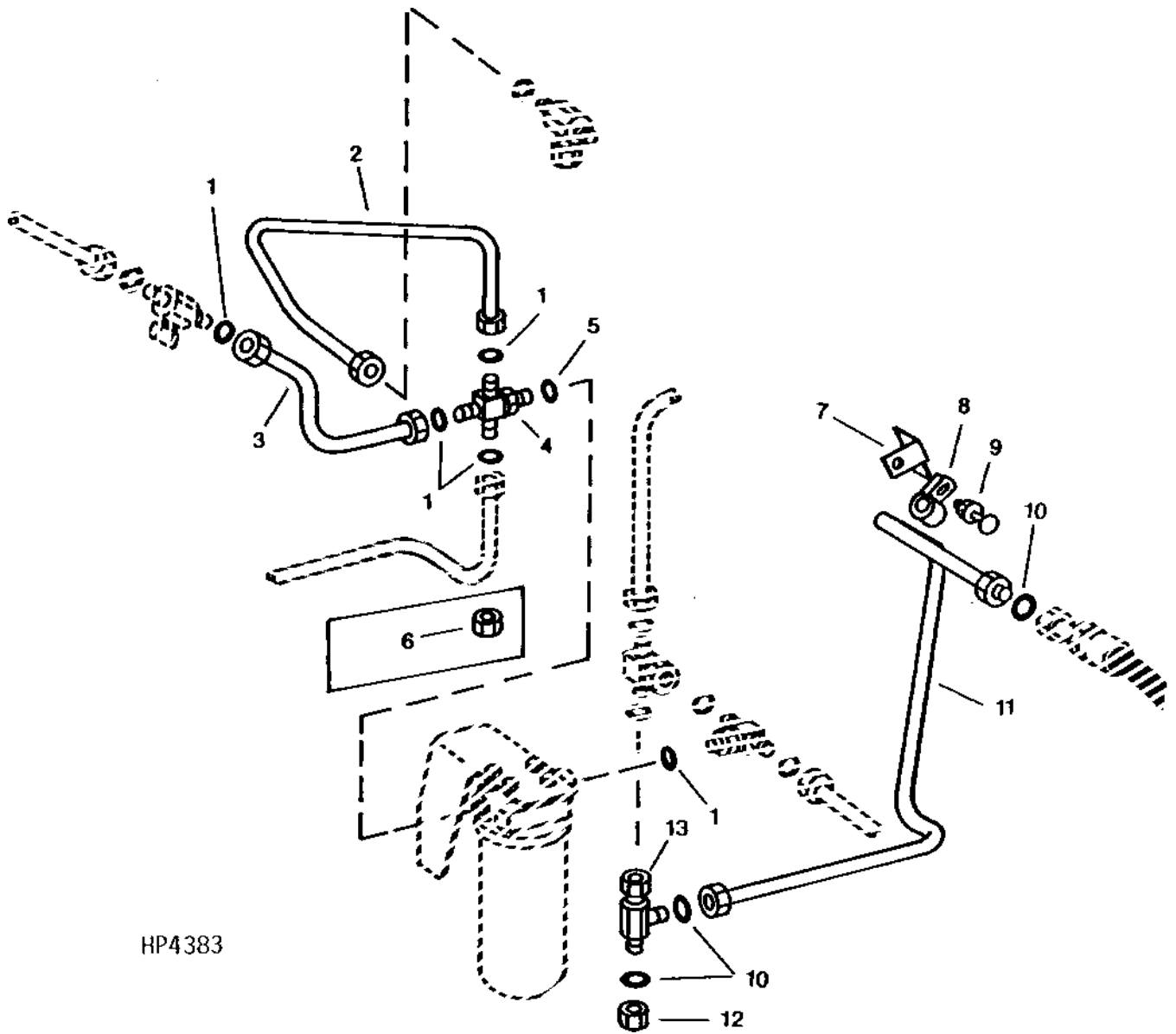


KEY	PART NO.	PART NAME	QTY	SERIAL NO.	REMARKS
1	GROOVE PIN	1		
2	SPOOL	1		
3	BACK-UP RING	1		
4	O-RING	1		
5	PLUG	1		
6	BACK-UP RING	1		
7	O-RING	1		
8	O-RING	1		
9	AH140903	KIT	1		

4J2

CHAFF SPREADER LINES AND FITTINGS

HP4383 -UN-01JAN94



HP4383

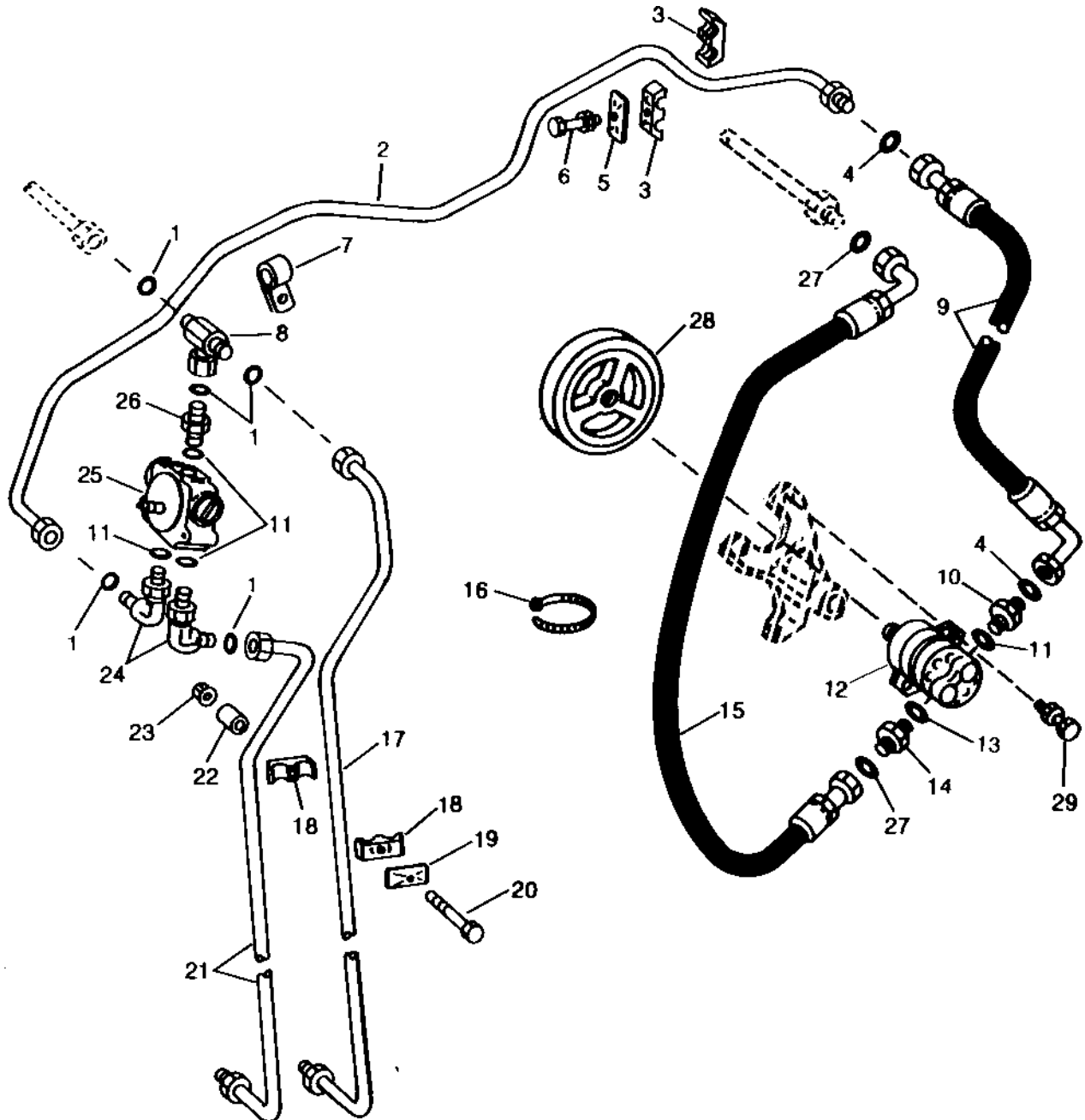
CHAFF SPREADER LINES AND FITTINGS - CONTINUED

KEY	PART NO.	PART NAME	QTY	SERIAL NO.	REMARKS
1	T77858	O-RING	5		
2	AH133759	OIL LINE	1		
3	AH126169	OIL LINE	1		
4	AH132031	FITTING	1		
5	R29936	O-RING	1		
6	38H1418	FITTING PLUG	1		
7	H139964	BRACKET	1		
8	R72659	CLAMP	1		
9	03M7183	BOLT	1		M8 X 16
	14M7298	FLANGE NUT	1		M8
10	T76938	O-RING	3		
11	AH133770	LINE	1		
12	38H1419	FITTING PLUG	1		
13	38H1467	TEE FITTING	1		

4J4

RESIDUE DISPOSAL

CHAFF SPREADER LINES, HOSES, VALVE AND PUMP
HP5903 -UN-26JUL95



HP5903

CHAFF SPREADER LINES, HOSES, VALVE AND PUMP - CONTINUED

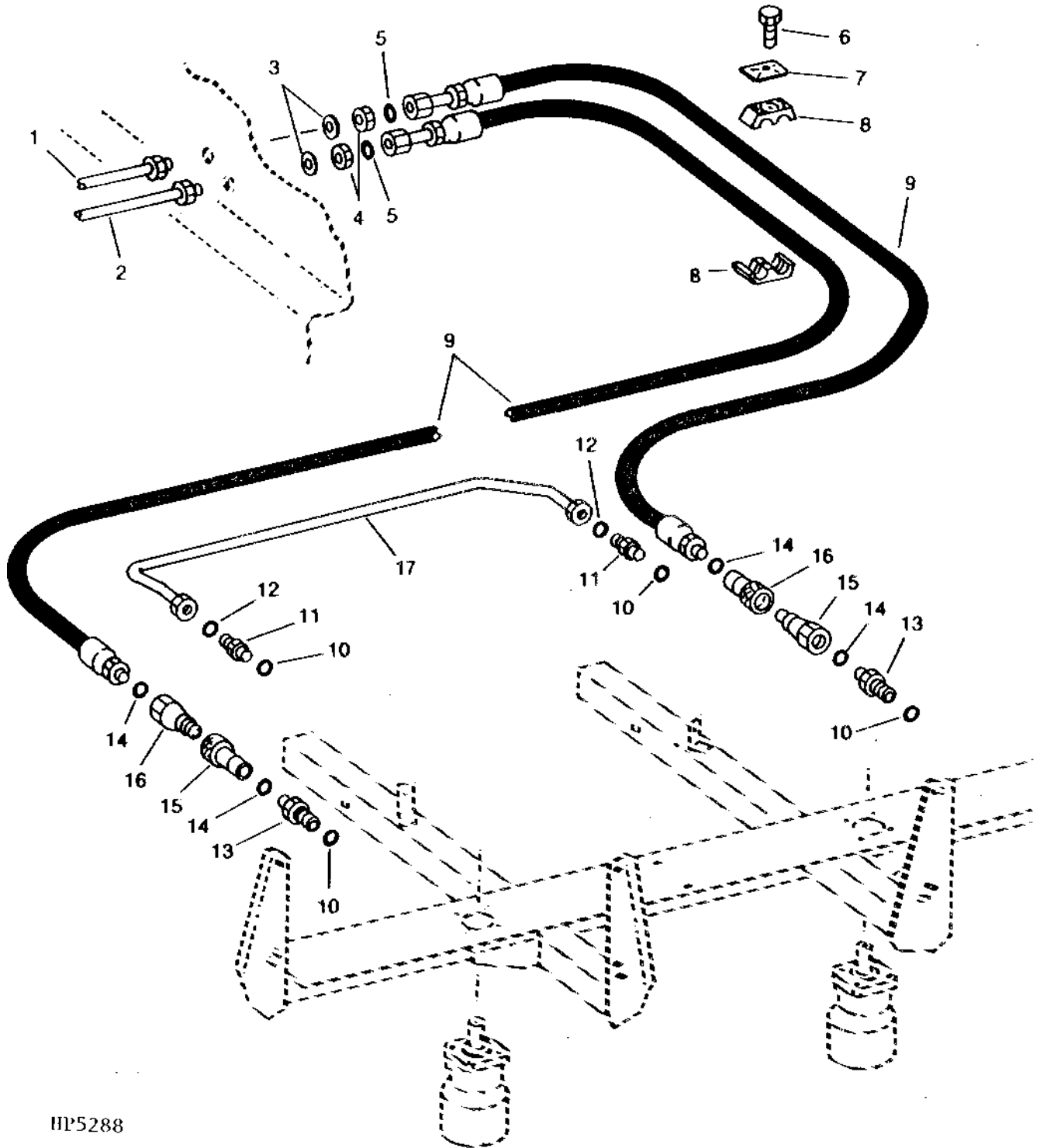
KEY	PART NO.	PART NAME	QTY	SERIAL NO.	REMARKS
1	T77932	O-RING	2		
2	AH133758	OIL LINE	1		PRESSURE
3	H120362	CLAMP	2		
4	T77857	O-RING	2		
5	H112567	PLATE	1		
6	19M7801	SCREW	1		M8 X 60
	14M7298	FLANGE NUT	1		M8
7	T27523	CLAMP	1		
8	38H1040	TEE FITTING	1		
9	AH135333	HYDRAULIC HOSE	1		PRESSURE
10	38H1162	ADAPTER	1		
11	R26906	O-RING	1		
12	AH134555	PUMP	1		
13	R29936	O-RING	1		
14	38H1194	ADAPTER	1		
15	AH132200	HYDRAULIC HOSE	1		SUCTION
16	H77698	TIE BAND	1		
17	AH133949	OIL LINE	1		
18	H120847	CLAMP	2		
19	H121168	PLATE	1		
20	19M7873	SCREW	1		M8 X 110
21	AH133948	OIL LINE	1		
22	L3483N	BUSHING	1		
23	14M7298	FLANGE NUT	1		M8, USED W/O 4-WHEEL DRIVE
24	38H1006	ELBOW FITTING	2		
25	AH136202	CHECK VALVE	1		
26	38H1162	ADAPTER	1		(SUB AH136202) SEE REEL DRIVE FLOW CONTROL VALVE FOR PARTS
27	T77858	O-RING	2		18.771 X 1.778 MM (0.739" X 0.070")
28	H140619	SHEAVE	1		
	H155289	SHEAVE	1		(FINE CUT CONVERSION)
29	19M7835	SCREW	2		M10 X 35
	14M7296	FLANGE NUT	2		M10

4J6

RESIDUE DISPOSAL

CHAFF SPREADER (DUAL MOTOR) HOSES AND LINES

HP5288 -UN-01JAN94



HP5288

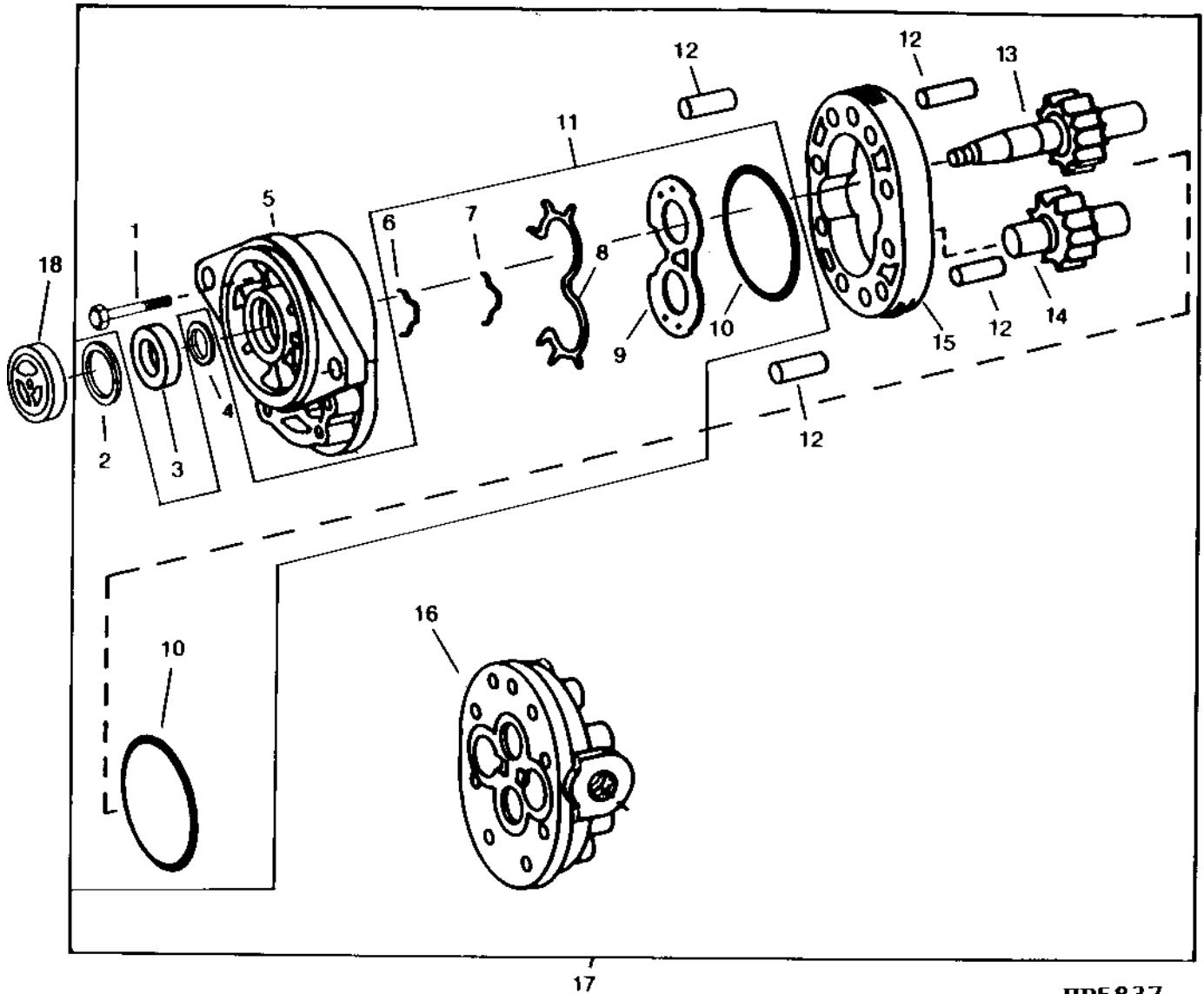
CHAFF SPREADER (DUAL MOTOR) HOSES AND LINES - CONTINUED

KEY	PART NO.	PART NAME	QTY	SERIAL NO.	REMARKS
1	AH133948	OIL LINE	1		
2	AH133949	OIL LINE	1		
3	24M7051	WASHER	2		21 X 37 X 3 MM
4	T78716	NUT	2		20.625 MM
5	T77857	O-RING	2		
6	19M8039	SCREW	1		M8 X 80
7	H112567	PLATE	1		
8	H122772	CLAMP	2		
9	AH138718	HYDRAULIC HOSE	2		
10	R26906	O-RING	8		
11	38H1162	ADAPTER	3		
12	T77932	O-RING	9		
13	T62843	ADAPTER	2		
14	R26375	O-RING	4		
15	AH75167	HYD. QUICK-CONNECT COUPLER	2		(INCLUDES INTERNAL O-RING)
16	AR94522	INTERNAL HALF COUPLER	2		
17	AH137986	OIL LINE	1		

4J8

RESIDUE DISPOSAL

CHAFF SPREADER PUMP
HP5837 -UN-20OCT94



HP5837

4J9

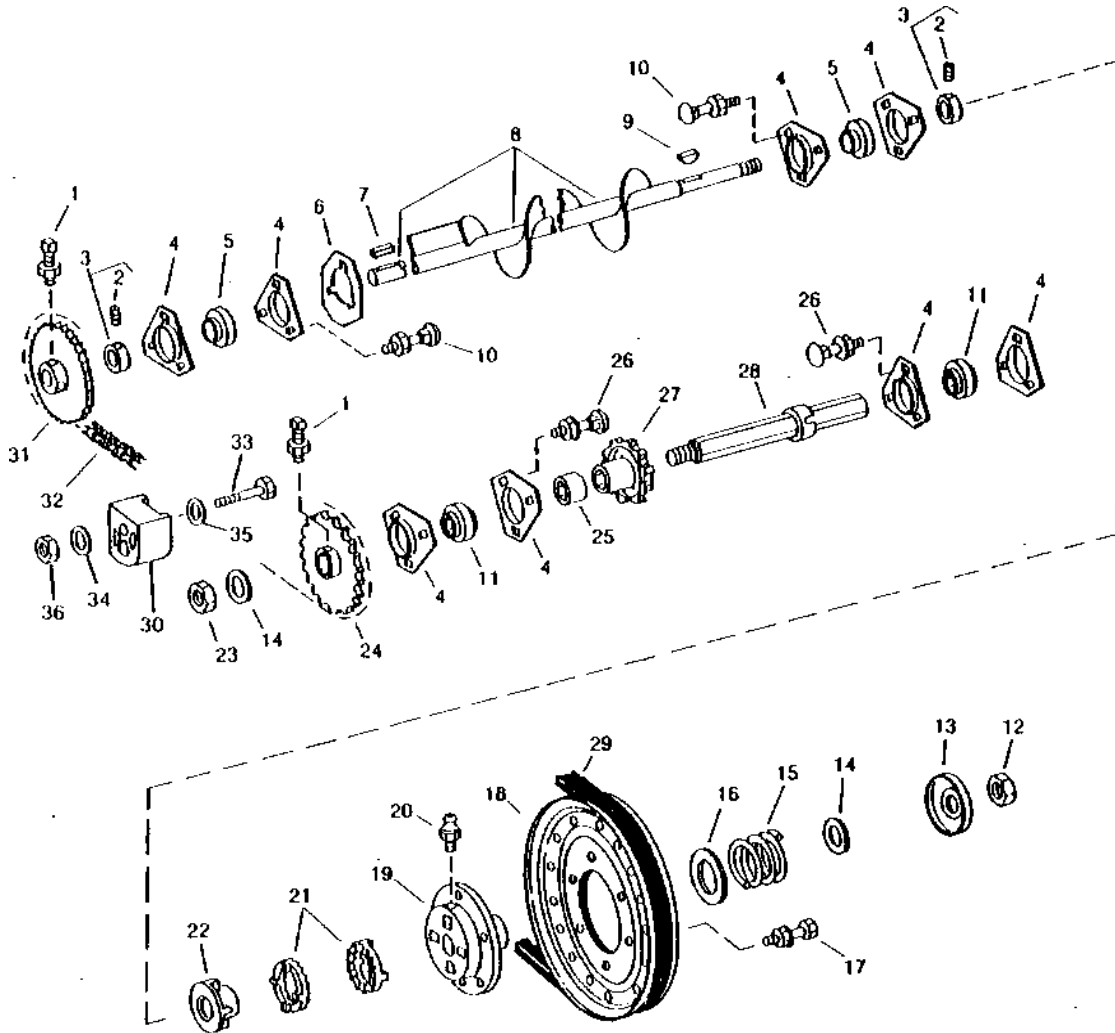
CHAFF SPREADER PUMP - CONTINUED

KEY	PART NO.	PART NAME	QTY	SERIAL NO.	REMARKS
1	E61791	BOLT	8		7.925 X 69.850 MM (5/16" X 2-3/4")
2	M41029	SNAP RING	1		(KIT AH131176)
3	AH131842	SEAL	1		
4	M48869	WASHER	1		(KIT AH131176)
5	PLATE	1		(SUB AH134555)
6	SEAL	1		(KIT AH131176)
7	GASKET	1		(KIT AH131176)
8	GASKET	1		(KIT AH131176)
9	WEAR PLATE	1		(KIT AH131176)
10	H80821	O-RING	2		(KIT AH131176)
11	AH131176	SEAL KIT	1		
12	H116213	DOWEL PIN	4		
13	AH134554	GEAR	1		
14	GEAR	1		(SUB AH134555)
15	HOUSING	1		(SUB AH134555)
16	PLATE	1		(SUB AH134555) (CESSNA NO. R25305-RAL) - REMANUFACTURED
17	AH134555	PUMP	1		
18	H155289	SHEAVE	1		
..	AH131176	SEAL KIT	1		
..	BH80390	COMPLETE GOODS/SHIP. BUNDLE	1		CHAFF SPREADER WITH OR WITHOUT 4-WHEEL DRIVE

4J10

RESIDUE DISPOSAL

LOWER TAILINGS AUGER, SHAFT AND TIGHTENER
HP5817 -UN-01JAN94



HP5817

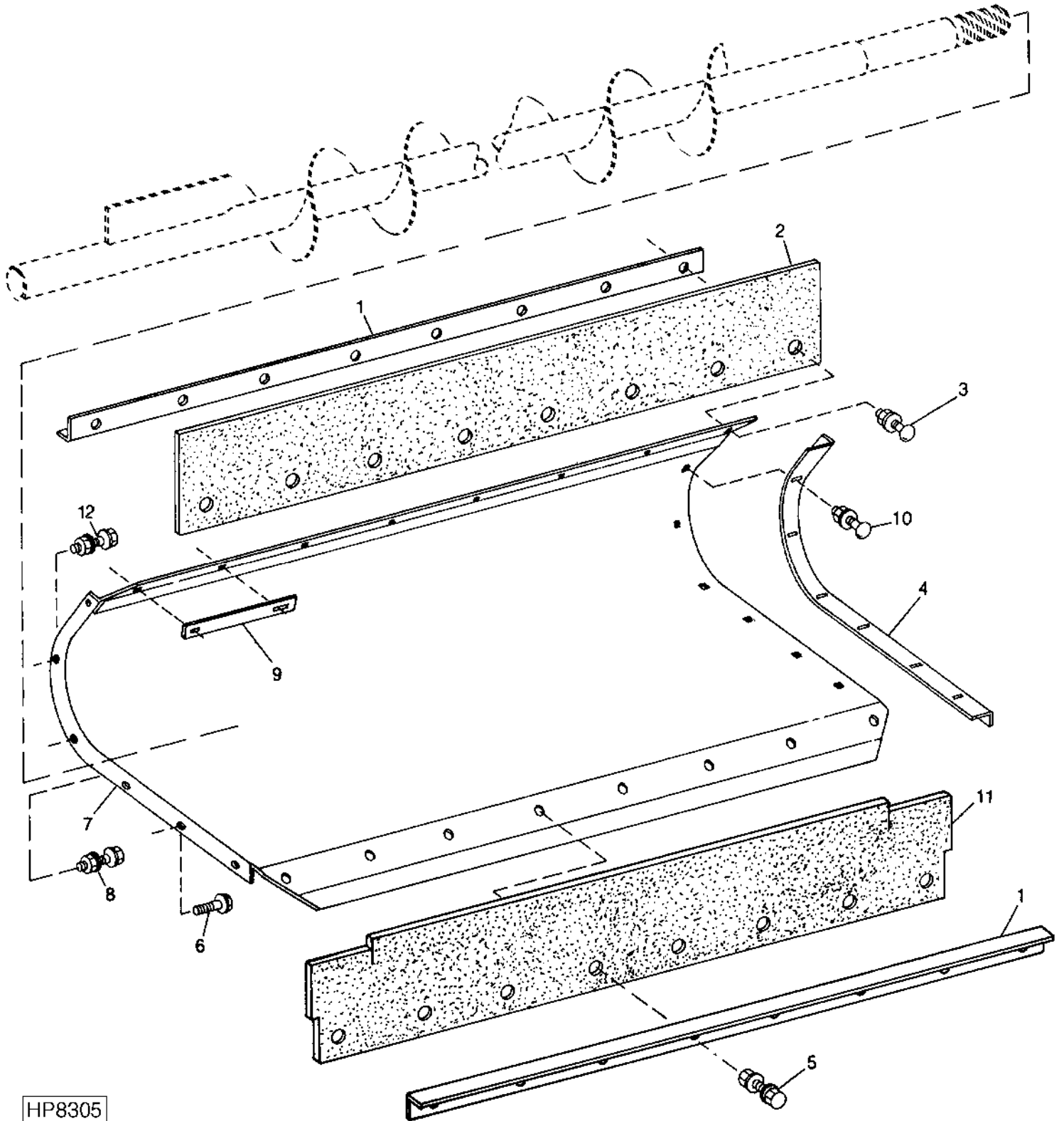
LOWER TAILINGS AUGER, SHAFT AND TIGHTENER - CONTINUED

KEY	PART NO.	PART NAME	QTY	SERIAL NO.	REMARKS
1	H138435	SET SCREW	AR		
	14M7274	NUT	AR	M10	
2	22M7080	SET SCREW	2	M8 X 8	
3	AZ10045	ECCENTRIC LOCKING COLLAR	2		
4	E10018	PRESSED FLANGED HOUSING	AR		
5	JD39103	BALL BEARING	2		
6	H132906	PLATE	1		
7	49M4111	SHAFT KEY	1		
8	AH146322	AUGER	1	(LOWER)	
9	26H19	SHAFT KEY	1	1/4" X 7/8"	
10	03M7191	BOLT	AR	M10 X 25	
	14M7296	FLANGE NUT	AR	M10	
11	JD9313	BALL BEARING	2		
12	14M7300	FLANGE NUT	1	M20	
13	AH126677	CAP	1		
14	24M7051	WASHER	2	21 X 37 X 3 MM	
15	J21022	SPRING	1		
16	24M7176	WASHER	1	56 X 72 X 3 MM	
17	19M7867	SCREW	AR	M8 X 25	
	14M7298	FLANGE NUT	AR	M8	
18	AH126388	SHEAVE	1	270 MM (10-1/2") DIA.	
19	H97574	HUB	1		
20	JD7797	LUBRICATION FITTING	1	1/4" STRAIGHT	
21	H128265	SLIP CLUTCH	2		
22	H85015	HUB	1		
23	A31870	LOCK NUT	1		
24	AH130572	CHAIN SPROCKET	1	18-TOOTH	
25	H134605	SPACER	1		
26	03M7190	BOLT	AR	M10 X 20	
	14M7296	FLANGE NUT	AR	M10	
27	H134603	CHAIN SPROCKET	1	8-TOOTH	
28	AH130570	SHAFT	1	LOWER CONVEYOR	
29	N110085	BELT	1		
30	H136582	TIGHTENER	1		
31	AH121047	CHAIN SPROCKET	1	18-TOOTH	
32	AH126239	ROLLER CHAIN	1	ROLLER, TYPE 50	
33	03M7245	BOLT	1	M8 X 55	
34	24M7207	WASHER	1	8.400 X 24 X 2 MM (0.331" X 0.945" X 0.079")	
35	H75716	LOCK WASHER	1	13.220 MM (0.520")	
36	14M7298	FLANGE NUT	1	M8	

4J12

RESIDUE DISPOSAL

LOWER TAILINGS AUGER TROUGH
HP8305 -UN-02MAR99



HP8305

4J13

RESIDUE DISPOSAL

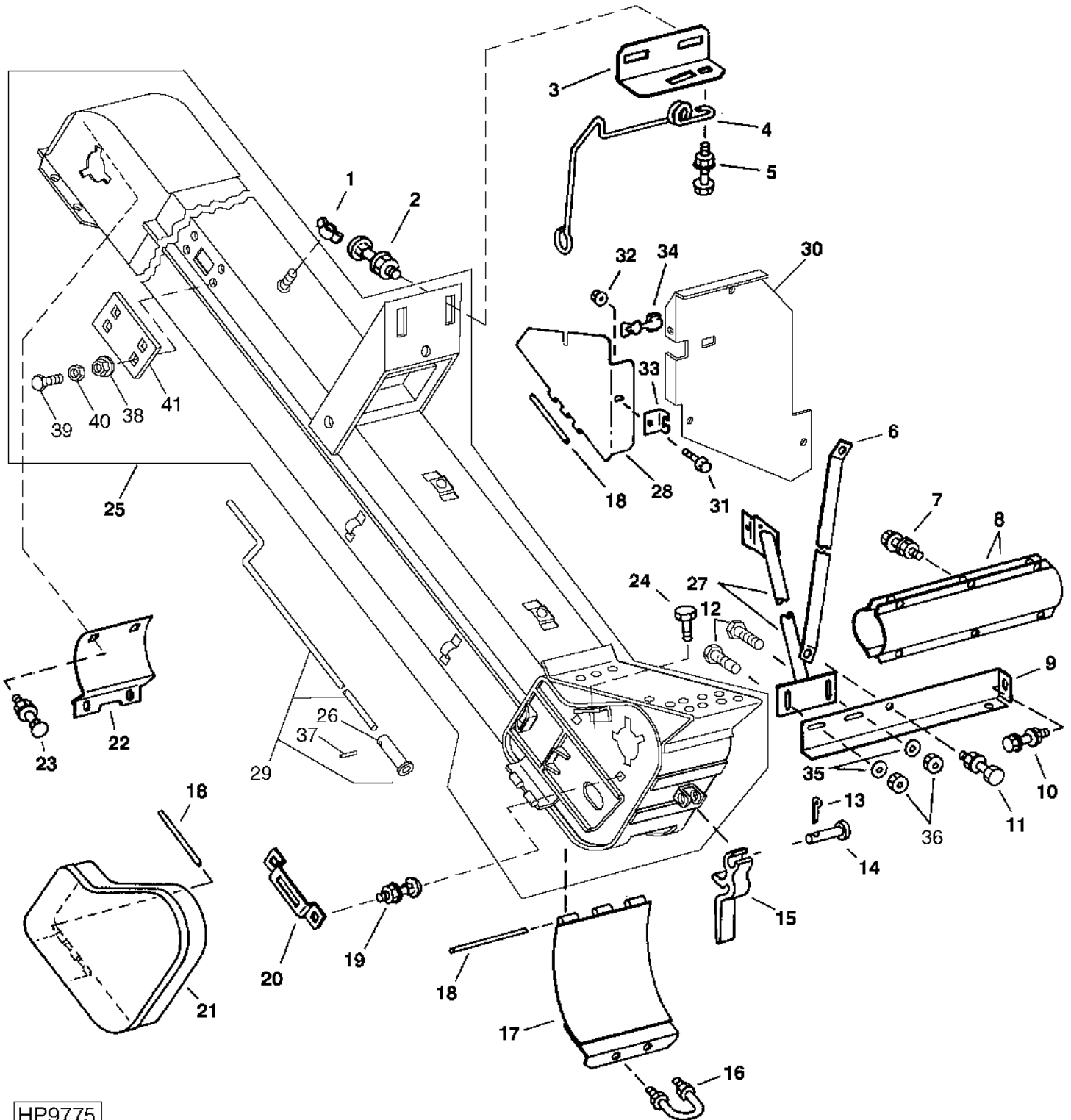
LOWER TAILINGS AUGER TROUGH - CONTINUED

KEY	PART NO.	PART NAME	QTY	SERIAL NO.	REMARKS
1	H134308	REINFORCEMENT	2		
2	H134314	STRAP	1		FRONT
3	19M7865	SCREW	AR		M8 X 16
	14M7298	FLANGE NUT	AR		M8
4	H134317	SUPPORT	1		
5	19M7865	SCREW	AR		M8 X 16
	14M7298	FLANGE NUT	AR		M8
6	19M7866	SCREW	2		M8 X 20
7	AH138655	TROUGH	1		
8	19M7866	SCREW	2		M8 X 20
	14M7298	FLANGE NUT	2		M8
9	H137585	STRAP	1		
10	03M7183	BOLT	AR		M8 X 16
	14M7298	FLANGE NUT	AR		M8
11	H147660	SEAL	1		
12	19M7867	SCREW	6		
	14M7298	FLANGE NUT	6		

4J14

RESIDUE DISPOSAL

TAILINGS ELEVATOR HOUSING
HP9775 -UN-24MAY00



HP9775

4J15

RESIDUE DISPOSAL

TAILINGS ELEVATOR HOUSING - CONTINUED

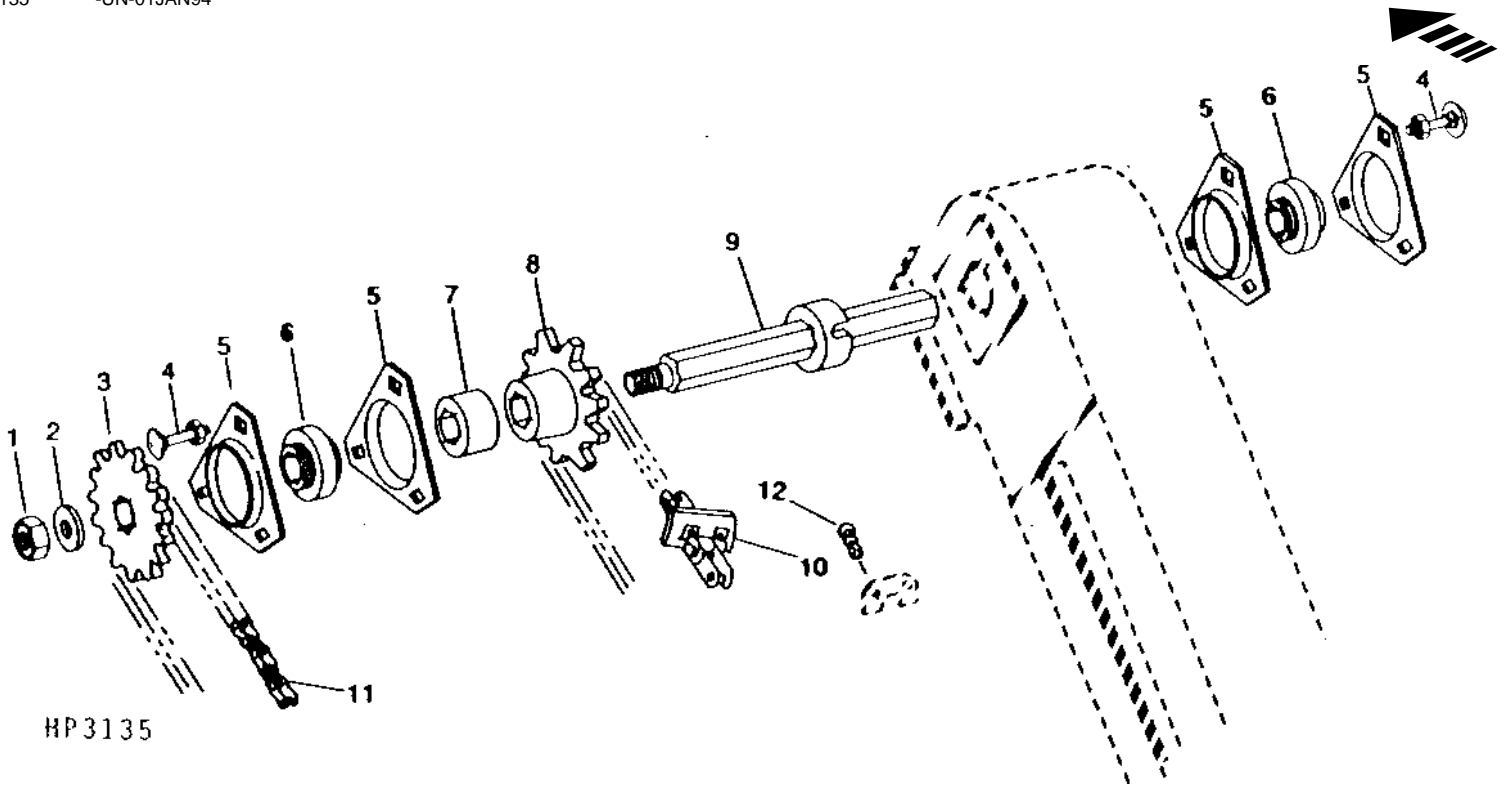
KEY	PART NO.	PART NAME	QTY	SERIAL NO.	REMARKS
1	14M7020	WING NUT	1	M8	
2	19M7784	SCREW	2	M10 X 20	
	14M7296	FLANGE NUT	2	M10	
3	H132708	BRACKET	1		
4	H130930	SPRING	1		
5	19M7784	SCREW	1	M10 X 20	
	14M7296	FLANGE NUT	1	M10	
6	H146536	SUPPORT	1		
7	19M7868	SCREW	AR	M8 X 30	
	14M7298	FLANGE NUT	AR	M8	
8	H136055	HOUSING	2	PERFORATED	
9	H130667	SUPPORT	1	(SUB H171006) ELEVATOR	
	H171006	SUPPORT	1		
10	19M7785	SCREW	2	M10 X 25	
	14M7296	FLANGE NUT	2	M10	
11	19M7865	SCREW	1	M8 X 16	
	14M7298	FLANGE NUT	1	M8	
12	19M7785	SCREW	2	M10 X 25	
13	11M7081	COTTER PIN	1	2.500 X 20 MM	
14	RV810A	PIN	1	DRILLED	
15	H101297	LEVER	1		
16	H105519	U-BOLT	1		
	24M7139	WASHER	2	6.400 X 18 X 1.600 MM	
	14M7397	LOCK NUT	2	M6	
17	AH130892	DOOR	1	SOLID	
18	H76083	PIN	3	CUT TO LENGTH	
19	03M7184	BOLT	2	M8 X 20	
	14M7298	FLANGE NUT	2	M8	
20	H130661	BRACKET	1		
21	AH130886	SHIELD	1		
22	H147846	DEFLECTOR	1		
23	03M7183	BOLT	2	M8 X 16	
	14M7298	FLANGE NUT	2	M8	
24	19M7865	SCREW	1	M8 X 16	
25	AH169233	KIT	1	COMPLETE TAILINGS ELEVATOR HOUSING, (SUB FOR AH156177)	
26	TOOL	1	(A)	
27	AH151354	SUPPORT	1		
28	H160715	SHIELD	1	UPPER DOOR	
29	AH149543	CRANK	1	(A)	
30	H154959	SHIELD	1		
31	19M7775	SCREW	1	M6 X 16	
32	14M7303	FLANGE NUT	1	M6	
33	H141549	CLAMP	1		
34	A44990	LATCH	1		
35	24M7239	WASHER	2	10.700 X 21 X 2.500 MM	
36	14M7296	FLANGE NUT	2	M10	
37	34M7027	SPRING PIN	1	(A) 4 X 20 MM	
38	M80082	NUT	8		
39	03M7221	BOLT	8	M6 X 16	
40	14M7303	FLANGE NUT	8	M6	
41	H168019	COVER	2		
..	AH164570	KIT	1	(INCLUDES PARTS MARKED (A))	

4J16

RESIDUE DISPOSAL

TAILINGS ELEVATOR CONVEYOR CHAIN, SPROCKETS AND BEARINGS

HP3135 -UN-01JAN94



HP3135

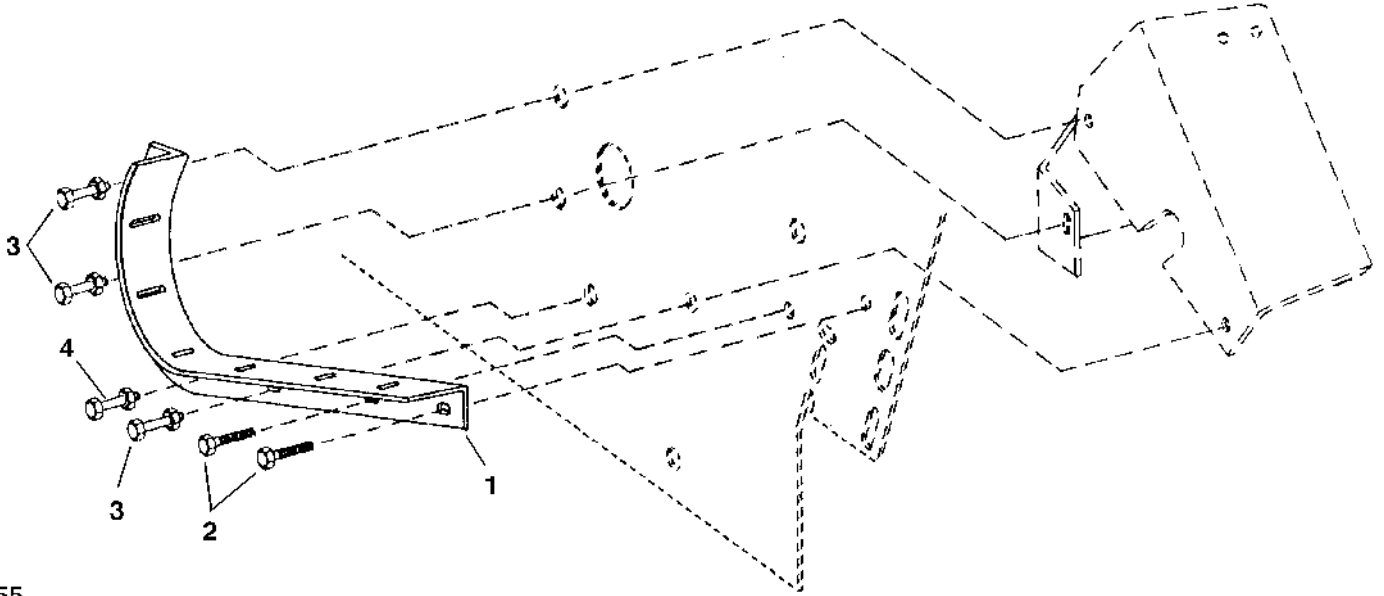
KEY	PART NO.	PART NAME	QTY	SERIAL NO.	REMARKS
1	14M7277	NUT	1	M20	
2	24M7277	WASHER	1	21 X 60 X 4 MM	
3	AH130571	CHAIN SPROCKET	1	30 TOOTH, DRIVE	
4	03M7190	BOLT	AR	M10 X 20	
	14M7296	FLANGE NUT	AR	M10	
5	E10018	PRESSED FLANGED HOUSING	4		
6	JD9313	BALL BEARING	2		
7	H134606	SPACER	1		
8	H134603	CHAIN SPROCKET	1	8 TOOTH (CONVEYOR)	
9	AH130570	SHAFT	1	UPPER CONVEYOR	
10	AH131074	LINK CHAIN	1	(CA550 ROLLER CHAIN) (25 PADDLES)	
	AH158635	CHAIN LINK	1	ROLLER	
	AH137631	CHAIN LINK	1	(SUB AH137631) OFFSET	
	AC11779	PIN	1		
	C10263	TRACK CHAIN W/O SHOES	1	COUPLER	
	AC14974	PIN	1		
	H135235	PADDLE	25	RUBBER	
	H86760	PADDLE	1	STEEL CLEANING	
	AH87765	CHAIN LINK	25		
11	ROLLER CHAIN	1	ROLLER, TYPE 50, 16MM (5/8") PITCH, 124 LINKS (ASSEMBLE FROM AH18482 OR AP2245 AND (1) P20351)	
12	AH86897	BOLT	AR	(INCLUDES (1) H85934, (1) 12H302 AND (1) 14H786)	

4J17

RESIDUE DISPOSAL

LOWER TROUGH SUPPORT AND TAILINGS DRIVE BRACKET

HP7155 -UN-22SEP97



HP7155

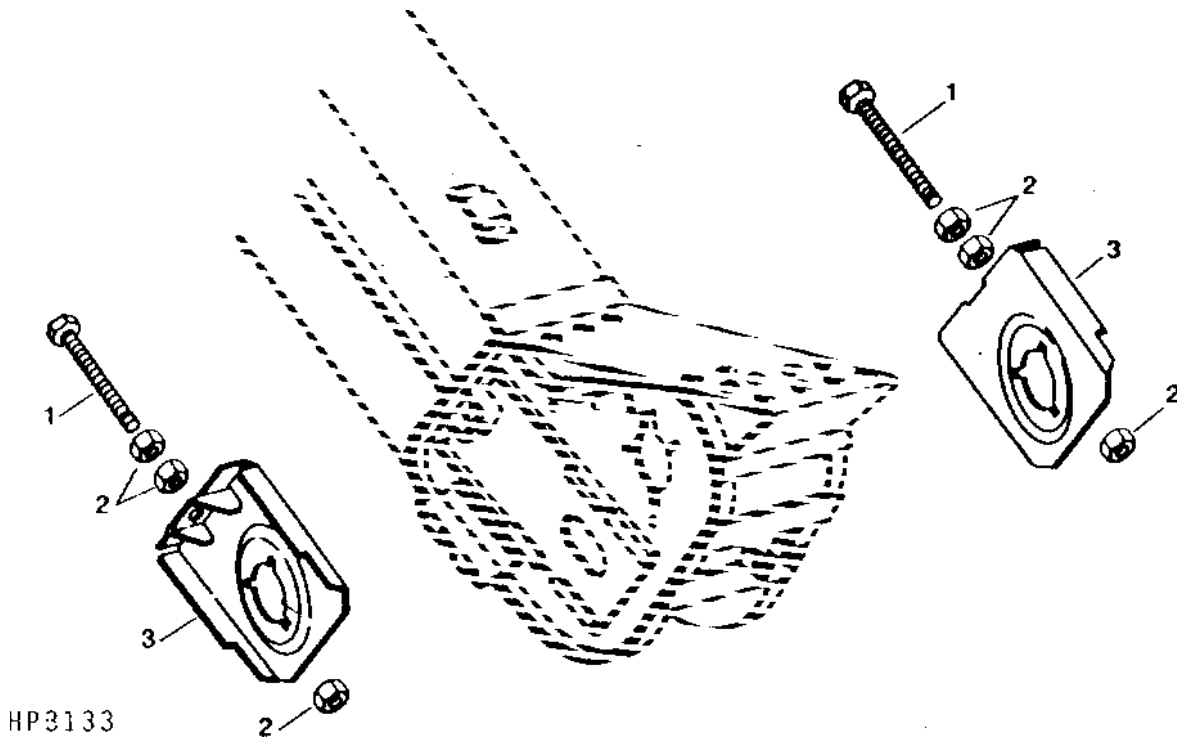
KEY	PART NO.	PART NAME	QTY	SERIAL NO.	REMARKS
1	H134317	SUPPORT	1		
2	19M7866	SCREW	2	M8 X 20	
3	19M7867	SCREW	3	M8 X 25	
	14M7298	FLANGE NUT	3	M8	
4	19M7866	SCREW	1	M8 X 20	
	14M7298	FLANGE NUT	1	M8	

4J18

RESIDUE DISPOSAL

LOWER TAILINGS AUGER CHAIN TIGHTENER

HP3133 -UN-01JAN94



KEY	PART NO.	PART NAME	QTY	SERIAL NO.	REMARKS
1	19M7596	CAP SCREW	2	M16 X 160	
2	14M7276	NUT	6	M16	
3	AH130884	BRACKET	2		

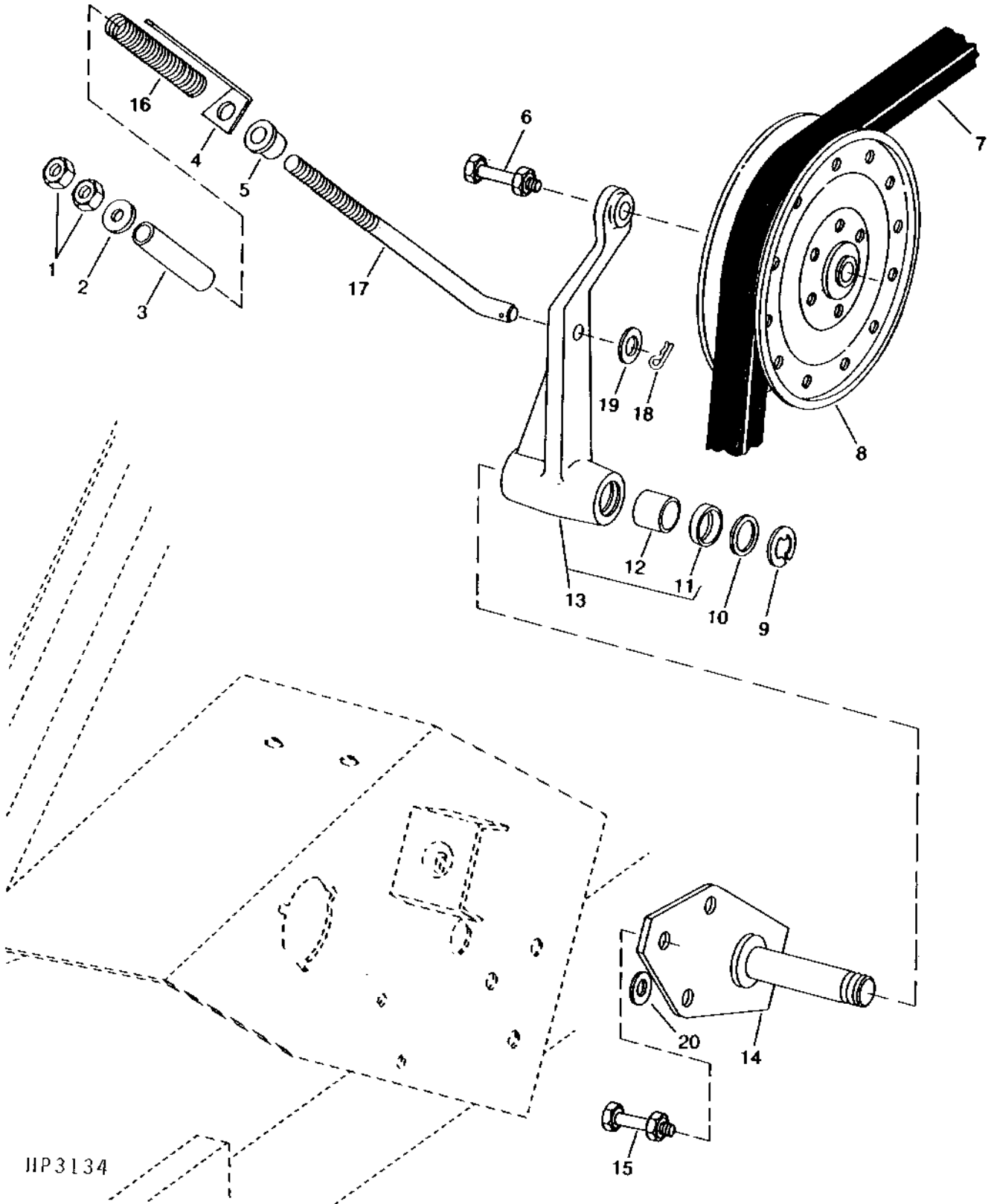
MEMORANDA

4J19

RESIDUE DISPOSAL

LOWER TAILINGS AUGER DRIVE TIGHTENER

HP3134 -UN-01JAN94



HP3134

4J20

RESIDUE DISPOSAL

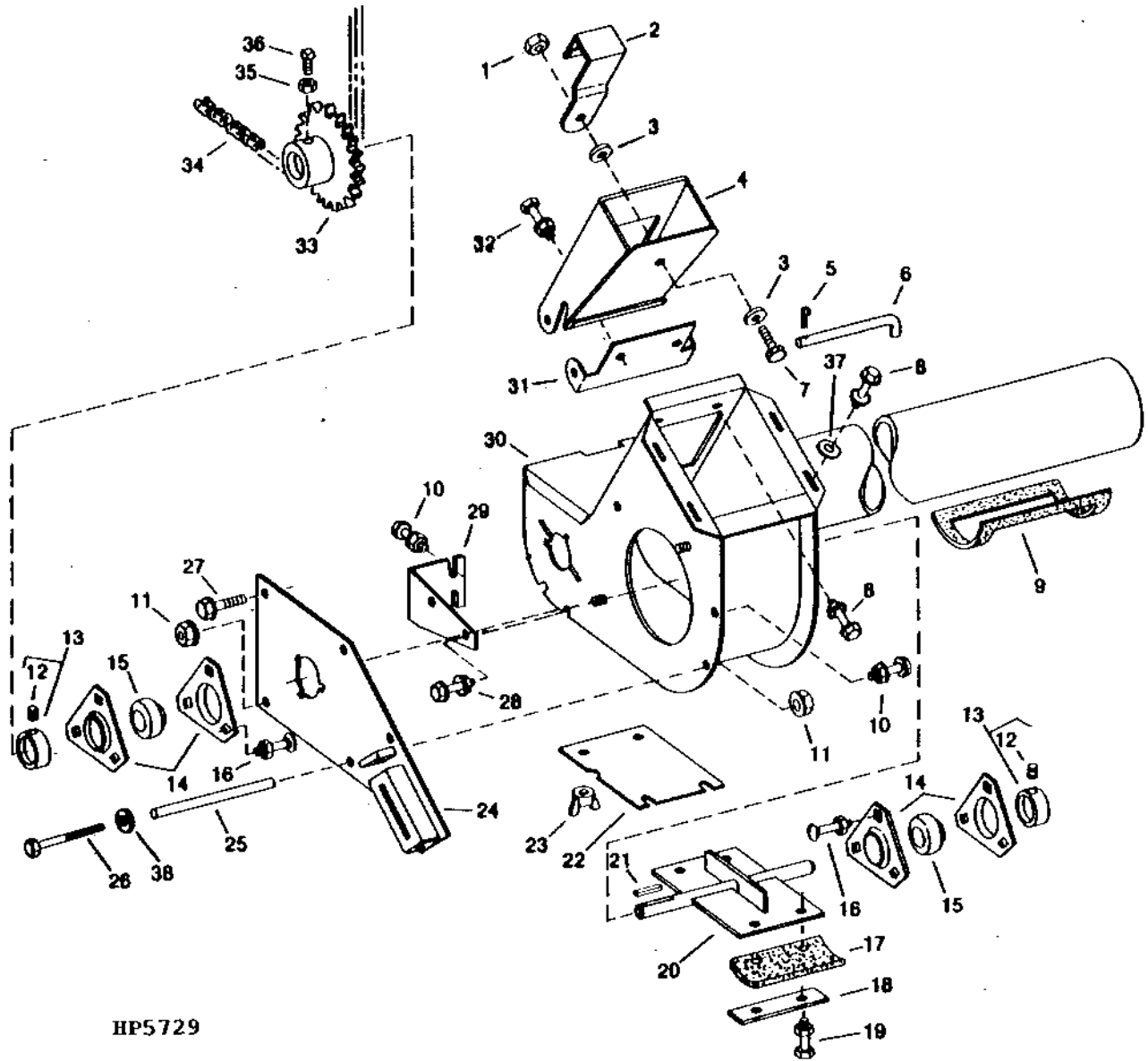
LOWER TAILINGS AUGER DRIVE TIGHTENER - CONTINUED

KEY	PART NO.	PART NAME	QTY	SERIAL NO.	REMARKS
1	14M7275	NUT	2	M12	
2	24M7180	WASHER	1	13 X 37 X 3 MM	
3	TY22326	BULK HOSE	AR	BULK HOSE	
4	H127872	GAUGE	1		
5	H129207	PIVOT	1		
6	19M7824	SCREW	1	M16 X 60	
	14M7291	FLANGE NUT	1	M16	
7	N110085	BELT	1		
8	AH85276	PULLEY	1		
9	P46402	SNAP RING	1		
10	24M7091	WASHER	1	26 X 44 X 4 MM	
11	AA5607R	SEAL	2		
12	H99147	BUSHING	2	(SUB H171061)	
	H171061	BEARING	2		
13	AH126865	ARM	1	ELEVATOR DRIVE	
14	AH156051	SPRING PIN	1		
15	19M7785	SCREW	3	M10 X 25	
	14M7296	FLANGE NUT	3	M10	
16	H26552	SPRING	1		
17	H118948	HOOK BOLT	1	IDLER	
18	11M7021	COTTER PIN	1	4 X 25 MM	
19	24M7047	WASHER	1	13 X 24 X 2.500 MM	
20	24M7178	WASHER	AR	10.500 X 30 X 2.500 MM, (USE AS NEEDED IF REALIGNMENT IS NECESSARY)	

4J21

RESIDUE DISPOSAL

UPPER TAILINGS AUGER HOUSING AND PADDLE ASSEMBLY
HP5729 -UN-01JAN94



HP5729

UPPER TAILINGS AUGER HOUSING AND PADDLE ASSEMBLY - CONTINUED

KEY	PART NO.	PART NAME	QTY	SERIAL NO.	REMARKS
1	14M7397	LOCK NUT	1	M6	
2	H133541	LATCH	1		
3	24M7139	WASHER	2	6.400 X 18 X 1.600 MM	
4	AH130136	DOOR	1		
5	J16931	SPRING LOCKING PIN	1		
6	H134068	PIN	1		
7	19M7775	SCREW	1	M6 X 16	
8	19M7865	SCREW	AR	M8 X 16	
	14M7298	FLANGE NUT	AR	M8	
9	H143735	SEAL	1		
10	19M7866	SCREW	3	M8 X 20	
	14M7298	FLANGE NUT	3	M8	
11	14M7298	FLANGE NUT	3	M8	
12	22M7080	SET SCREW	2	M8 X 8	
13	AZ10045	ECCENTRIC LOCKING COLLAR	2		
14	E10018	PRESSED FLANGED HOUSING	AR		
15	JD39103	BALL BEARING	2		
16	03M7191	BOLT	AR	M10 X 25	
	14M7296	FLANGE NUT	AR		
17	H131639	PADDLE	2	RUBBER	
18	H131638	STRAP	2		
19	19M7868	SCREW	AR	M8 X 30	
	14M7396	LOCK NUT	AR	M8	
20	AH128663	PADDLE	1		
21	49M4111	SHAFT KEY	AR	8 X 7 X 40 MM	
22	H135309	COVER	1	CLEAN OUT	
23	14M7020	WING NUT	AR	M8	
24	AH128664	SUPPORT	1	IDLER	
25	H140467	BUSHING	1	9.246 X 13.716 X 104.775 MM (0.364" X 0.540" X 4-1/8")	
26	19M8404	CAP SCREW	1	M8 X 130	
27	19M7864	SCREW	1	M8 X 12	
28	19M7862	SCREW	2	M6 X 20	
	14M7303	FLANGE NUT	2	M6	
29	H147967	SUPPORT	1		
30	AH149180	TUBE	1		
31	H134065	HINGE	1		
32	19M7865	SCREW	2	M8 X 16	
	14M7298	FLANGE NUT	2	M8	
33	AH126008	CHAIN SPROCKET	1	30 TOOTH	
34	AH126007	ROLLER CHAIN	1	ROLLER, TYPE 50, 124 LINKS	
35	14M7274	NUT	2	M10	
36	H138435	SET SCREW	2		
37	24M7207	WASHER	4	8.400 X 24 X 2 MM	
38	24M7055	WASHER	1	8.400 X 16 X 1.600 MM	

4J23

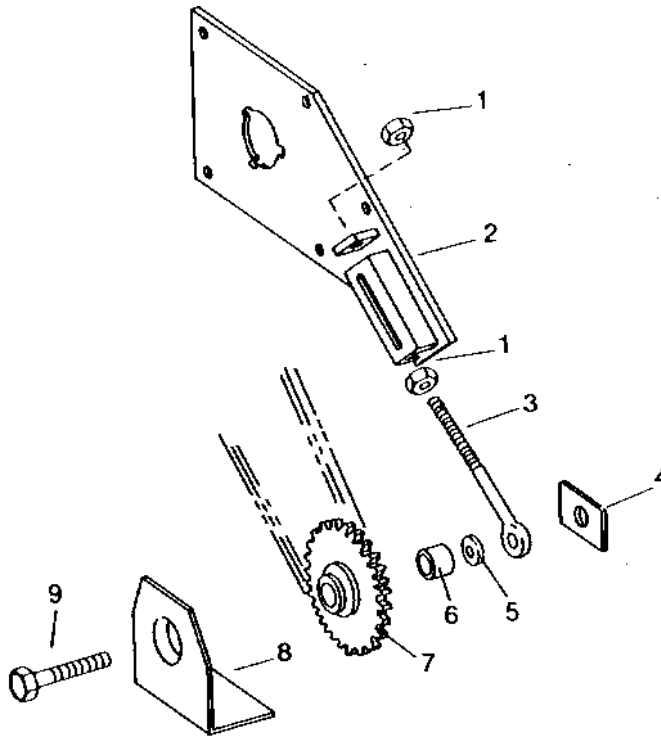
RESIDUE DISPOSAL

UPPER TAILINGS DRIVE CHAIN TIGHTENER

HP3142 -UN-01JAN94



HP3142



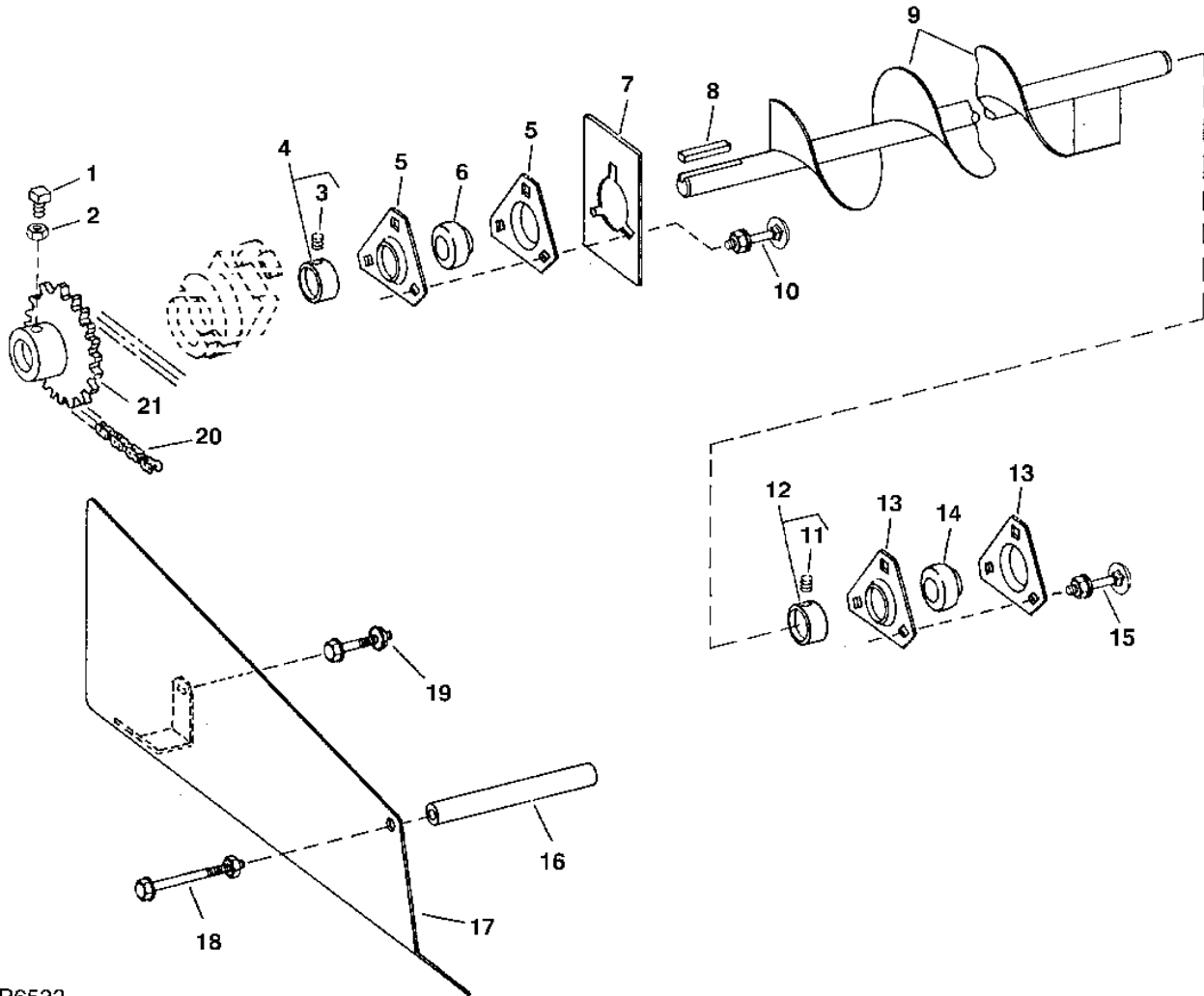
KEY	PART NO.	PART NAME	QTY	SERIAL NO.	REMARKS
1	14H1040	NUT	2	1/2"	
2	AH128664	SUPPORT	1	IDLER	
3	H130956	EYEBOLT	1		
4	H130957	NUT	1	M12	
5	24M7047	WASHER	1	13 X 24 X 2.500 MM	
6	28H1597	WASHER	1	0.546" X 0.840" X 3/8"	
7	AH98176	CHAIN SPROCKET	1	17 TOOTH	
8	H133031	SHIELD	1		
9	19M7363	CAP SCREW	1	M12 X 60	

MEMORANDA

4J24

RESIDUE DISPOSAL

UPPER TAILINGS AUGER, DRIVE AND SHIELD
HP6533 -UN-23AUG96



HP6533

4J25

RESIDUE DISPOSAL

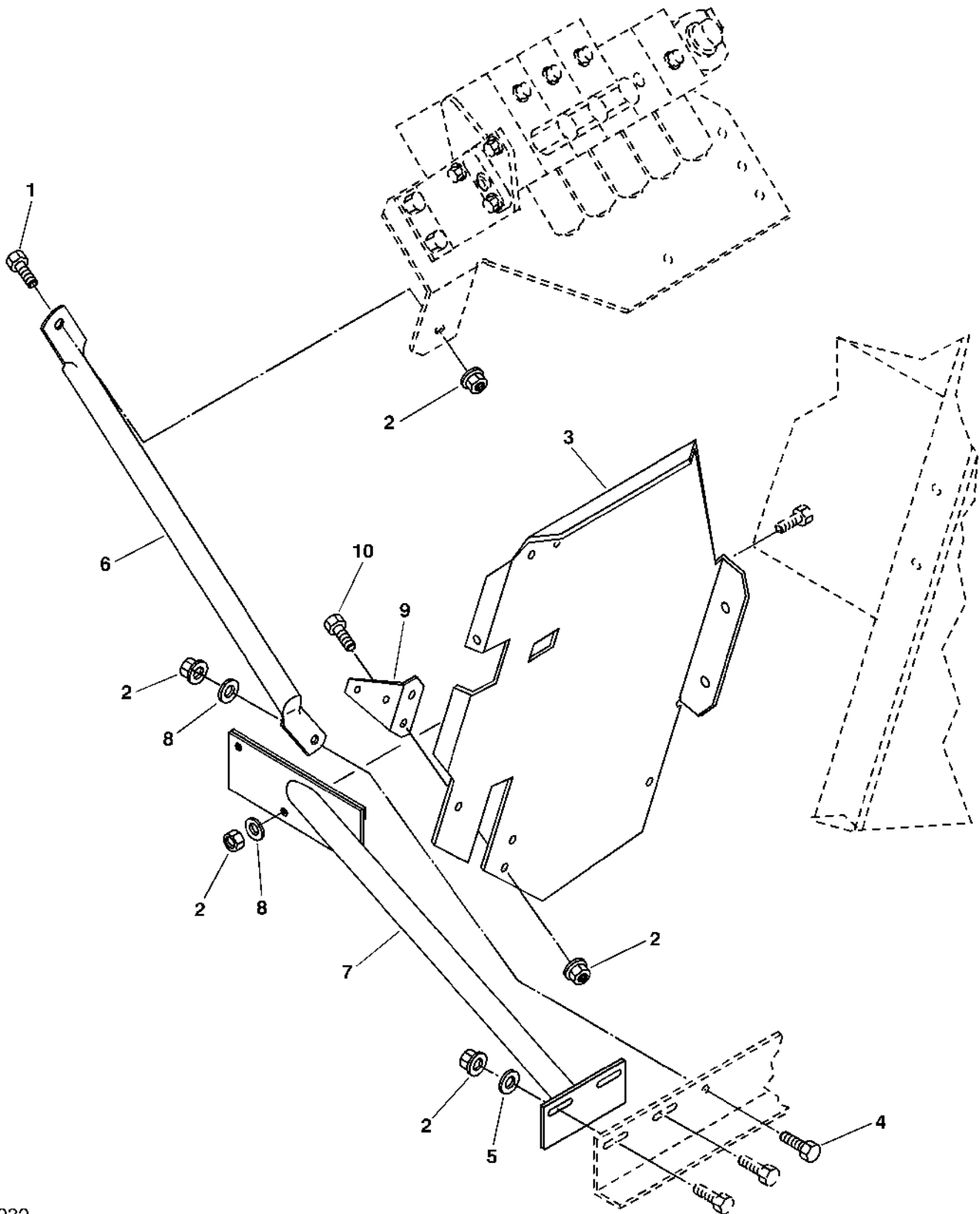
UPPER TAILINGS AUGER, DRIVE AND SHIELD - CONTINUED

KEY	PART NO.	PART NAME	QTY	SERIAL NO.	REMARKS
1	H138435	SET SCREW	2		
2	14M7274	NUT	2	M10	
3	22M7079	SET SCREW	1	M6 X 6	
4	AZ10044	ECCENTRIC LOCKING COLLAR	1		
5	H103264	PRESSED FLANGED HOUSING	2		
6	JD39102	BALL BEARING	1		
7	H148633	END PLATE	1		
8	49M4111	SHAFT KEY	1		8 X 7 X 40 MM (IN AH141142 KEY STOCK KIT) (CUT FROM H150269)
9	AH125895	AUGER	1		
10	03M7184	BOLT	AR	M8 X 20	
	14M7298	FLANGE NUT	AR	M8	
11	22M7079	SET SCREW	1	M6 X 6	
12	AZ10044	ECCENTRIC LOCKING COLLAR	1		
13	H103264	PRESSED FLANGED HOUSING	2		
14	JD39102	BALL BEARING	1		
15	03M7184	BOLT	3	M8 X 20	
	14M7298	FLANGE NUT	3	M8	
16	H140467	BUSHING	1		9.246 X 13.716 X 104.775 MM (0.364" X 0.540" X 4-1/8") (SUB FOR AH135207)
17	AH160994	SHIELD	1		
18	19M8262	CAP SCREW	1	M8 X 130	
	14M7298	FLANGE NUT	1	M8	
19	19M7862	SCREW	1	M6 X 20	
	14M7303	FLANGE NUT	1	M6	
20	AH126007	ROLLER CHAIN	1		ROLLER, TYPE 50, 124 LINKS
21	AH121046	CHAIN SPROCKET	1		22 TOOTH

4K1

RESIDUE DISPOSAL

UPPER REAR TAILINGS SHIELD
HP7232 -UN-08JAN98



HP7232

4K2

RESIDUE DISPOSAL

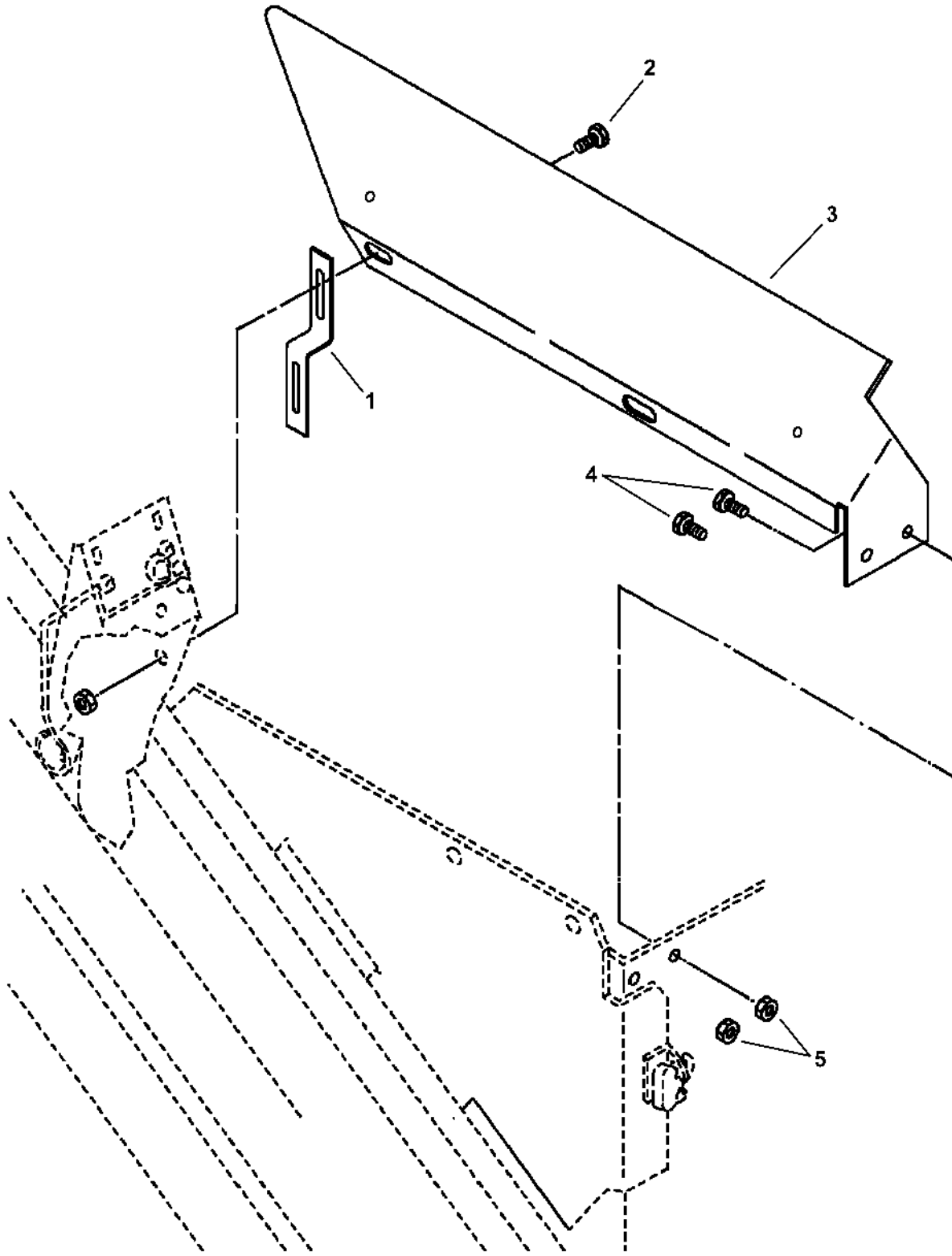
UPPER REAR TAILINGS SHEILD - CONTINUED

KEY	PART NO.	PART NAME	QTY	SERIAL NO.	REMARKS
1	19M7866	SCREW	1		M8 X 20
2	14M7298	FLANGE NUT	8		M8
3	H172116	SHIELD	1		(SUB FOR H158629)
4	19M7803	SCREW	1		M8 X 70
5	24M7241	WASHER	2		17 X 34 X 4 MM, (GRAIN ONLY)
	24M7207	WASHER	2		8.400 X 24 X 2 MM, (RICE ONLY)
6	H158638	BRACE	1		
7	AH151354	SUPPORT	1		
8	24M7207	WASHER	2		8.400 X 24 X 2 MM
9	H158615	ANGLE	1		
10	19M7865	SCREW	2		M8 X 16

4K3

RESIDUE DISPOSAL

REAR LEFT SIDE TAILINGS SHIELD
HP7454 -UN-14APR98



HP7454

4K4

RESIDUE DISPOSAL

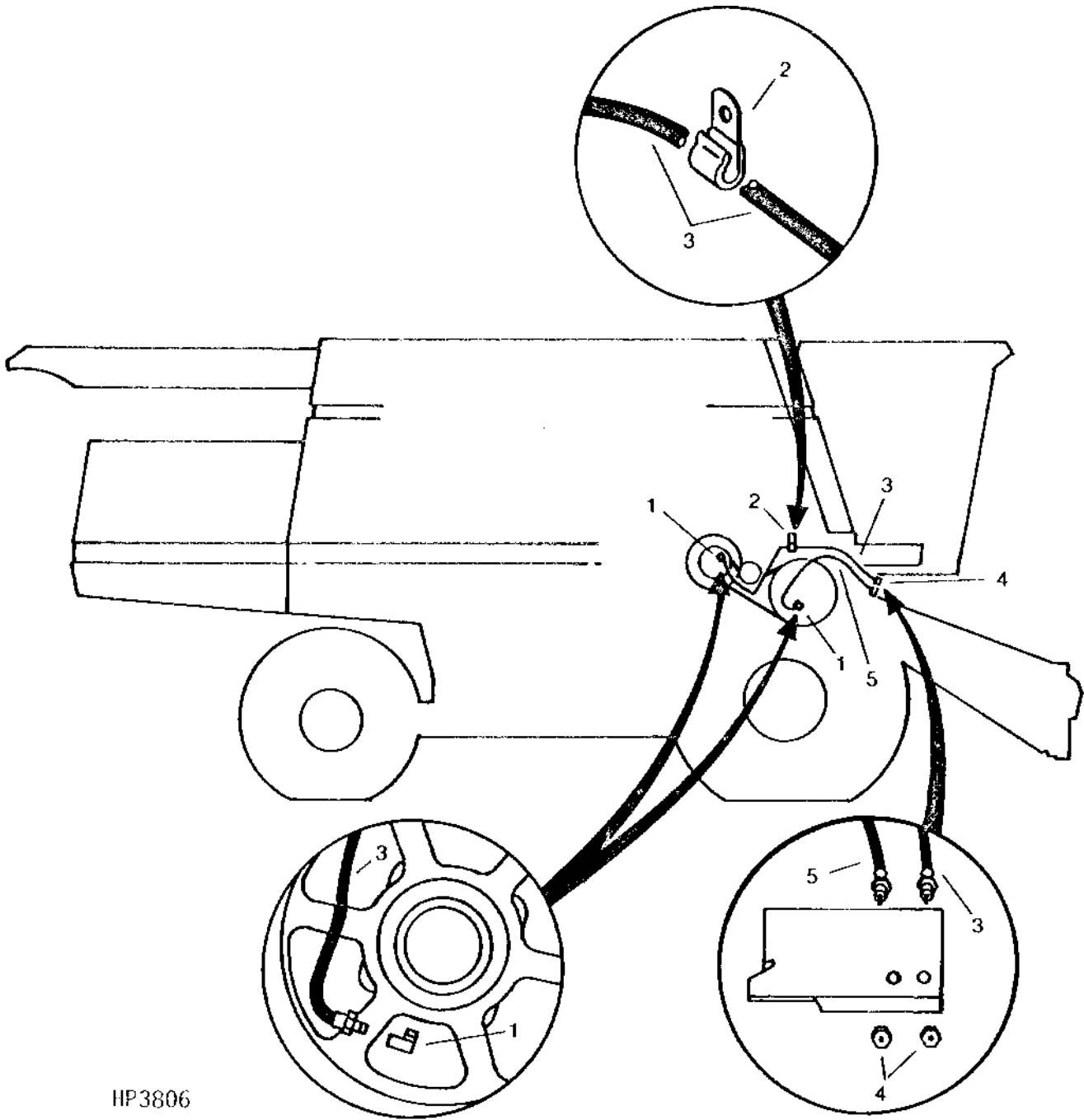
REAR LEFT SIDE TAILINGS SHIELD - CONTINUED

KEY	PART NO.	PART NAME	QTY	SERIAL NO.	REMARKS
1	H163757	BRACKET	1		
2	19M7866	SCREW	1	M8 X 20	
3	H164556	SHIELD	1	L.H. REAR	
4	19M7865	SCREW	2	M8 X 16	
5	14M7298	FLANGE NUT	3	M8	

4K5

RESIDUE DISPOSAL

LUBE HOSES R.H.
HP3806 -UN-01JAN94



HP3806

4K6

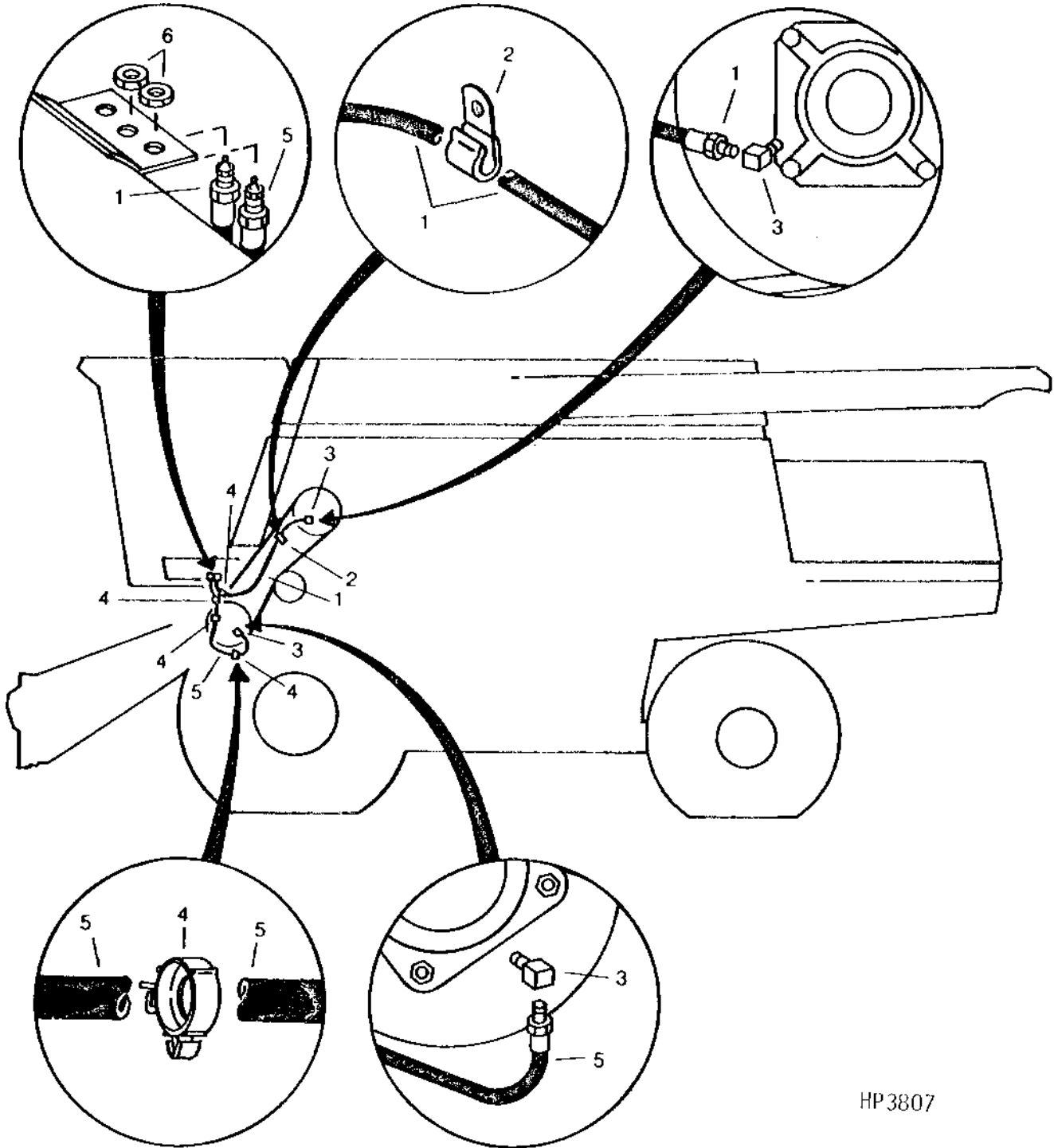
RESIDUE DISPOSAL

LUBE HOSES R.H. - CONTINUED

KEY	PART NO.	PART NAME	QTY	SERIAL NO.	REMARKS
1	JD7845	ELBOW FITTING	2		
2	AH96317	CLIP	1		
3	AH121007	HOSE	1		
4	E12379	NUT	2		3.175 MM
5	AH121009	HOSE	1		1/8" X 910 MM (35-3/4") X 1/8"

4K7

LUBE HOSES L.H.
HP3807 -UN-01JAN94



HP3807

4K8

RESIDUE DISPOSAL

LUBE HOSES L.H. - CONTINUED

KEY	PART NO.	PART NAME	QTY	SERIAL NO.	REMARKS
1	AH121009	HOSE	1		1/8" X 910 MM (35-3/4") X 1/8"
2	AH96317	CLIP	1		
3	JD7845	ELBOW FITTING	2		
4	H140149	HOLD-DOWN CLIP	4		
5	AH121009	HOSE	1		1/8" X 910 MM (35-3/4") X 1/8"
6	E12379	NUT	2		3.175 MM

4K9

RESIDUE DISPOSAL

METRIC KEY STOCK KIT

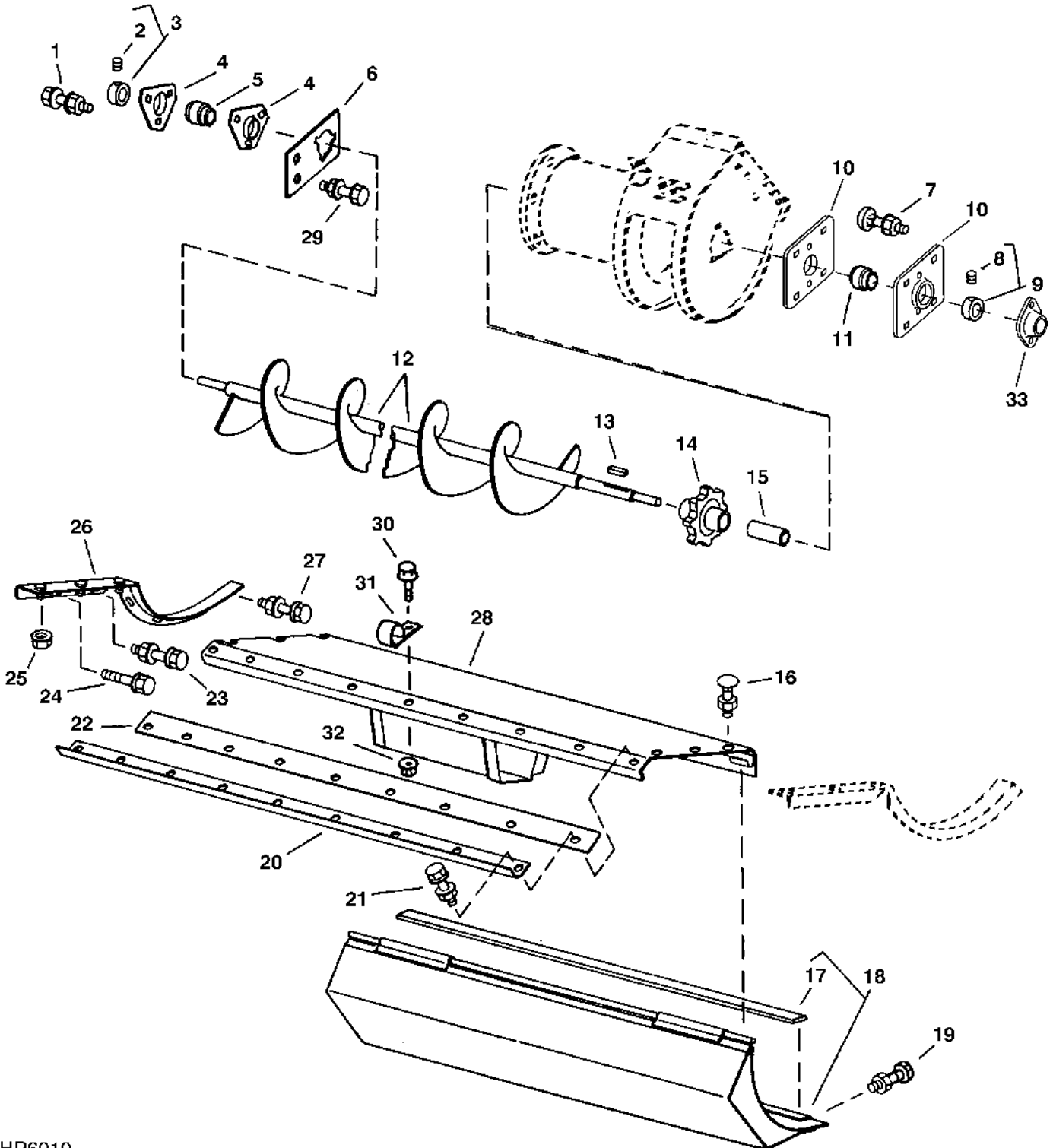
KEY	PART NO.	PART NAME	QTY	SERIAL NO.	REMARKS
..	SHAFT KEY	3		5 X 305MM SQUARE (IN AH141142 KEY STOCK KIT) (CUT FROM H150267)
..	SHAFT KEY	3		6 X 305MM SQUARE (IN AH141142 KEY STOCK KIT) (CUT FROM H150268)
..	SHAFT KEY	1		8 X 305MM SQUARE (IN AH141142 KEY STOCK KIT) (CUT FROM H150275)
..	SHAFT KEY	2		8 X 7 X 305MM RECTANGULAR (IN AH141142 KEY STOCK KIT) (CUT FROM H150269)
..	SHAFT KEY	1		10 X 8 X 305 MM RECTANGULAR (IN AH141142 KEY STOCK KIT) (CUT FROM H150270)
..	SHAFT KEY	1		12 X 8 X 305MM RECTANGULAR (IN AH141142 KEY STOCK KIT) (CUT FROM H150271)
..	SHAFT KEY	1		14 X 8 X 305MM RECTANGULAR (IN AH141142 KEY STOCK KIT) (CUT FROM H150272)
..	AH141142	SHAFT KEY	1		

MEMORANDA

5B7

CLEAN GRAIN ELEVATOR, GRAIN TANK AND UNLOADING AUGER

CLEAN GRAIN LOWER AUGER AND HINGED DOOR
HP6910 -UN-12SEP97



HP6910

5B8

CLEAN GRAIN ELEVATOR, GRAIN TANK AND UNLOADING AUGER

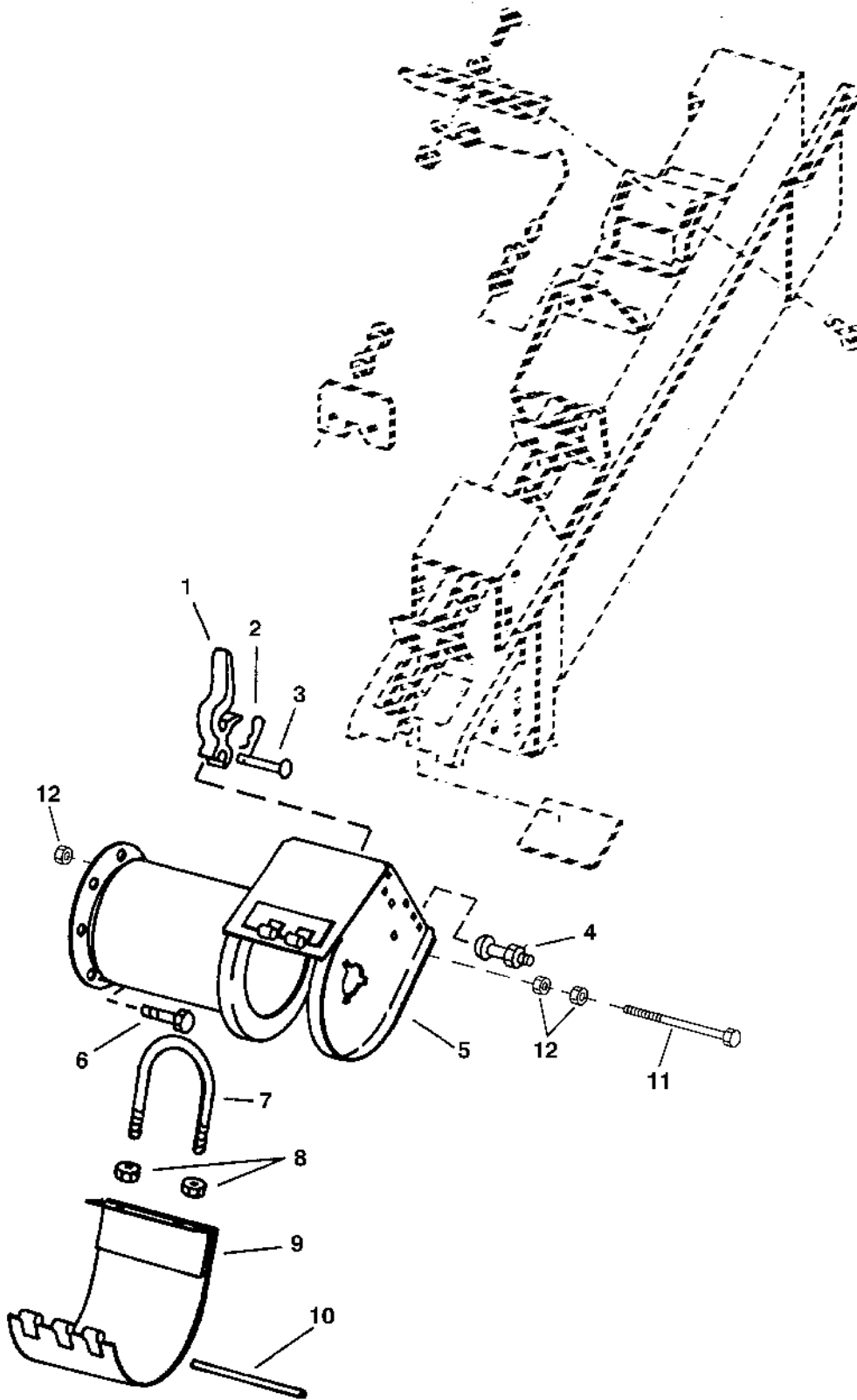
CLEAN GRAIN LOWER AUGER AND HINGED DOOR - CONTINUED

KEY	PART NO.	PART NAME	QTY	SERIAL NO.	REMARKS
1	19M7867	SCREW	3	M8 X 25	
	14M7298	FLANGE NUT	3	M8	
2	22M7079	SET SCREW	1	M6 X 6	
3	AZ10044	ECCENTRIC LOCKING COLLAR	1		
4	H103264	PRESSED FLANGED HOUSING	2		
5	JD39102	BALL BEARING	1		
6	H132539	COVER	1		
7	03M7193	BOLT	3	M10 X 35	
	Z36140	WASHER	3		
	14M7296	FLANGE NUT	3	M10	
8	22M7080	SET SCREW	1	M8 X 8	
9	AZ10045	ECCENTRIC LOCKING COLLAR	1		
10	H152916	PRESSED FLANGED HOUSING	2		
11	JD39103	BALL BEARING	1		
12	AH141577	FLIGHT	1		INCLUDES (1) N109389 COLLAR
	N109389	BUSHING	1		
13	SHAFT KEY	1	8 X 7 X 40 MM (IN AH141142 KEY STOCK KIT)	(CUT FROM H150269)
14	H133143	CHAIN SPROCKET	1		
15	H150117	SPACER	1		
16	03M7183	BOLT	3	M8 X 16	
	14M7298	FLANGE NUT	3	M8	
17	H88773	ISOLATOR	AR	CUT TO 1290 MM, 50-3/4".	
18	AH139391	DOOR	1	WITH PROTECTIVE PLATE	
	AH139388	DOOR	1	(CLEAN GRAIN)	
19	19M7799	SCREW	5	M8 X 45	
	14M7396	LOCK NUT	5	M8	
20	H134308	REINFORCEMENT	1		
21	19M7866	SCREW	8	M8 X 20	
	14M7298	FLANGE NUT	8	M8	
22	H75952	SEAL	1		
23	19M7865	SCREW	2	M8 X 16	
	14M7298	FLANGE NUT	2	M8	
24	19M7865	SCREW	1	M8 X 16, INTO WELDNUT	
25	14M7298	FLANGE NUT	3	M8	
26	AH122506	REINFORCEMENT	1		
27	19M8039	SCREW	3	M8 X 80	
	19M8038	CAP SCREW	2	M8 X 85	
	24M7055	WASHER	3	8.400 X 16 X 1.600 MM	
	14M7298	FLANGE NUT	3	M8	
28	AH117277	HINGE	1		
29	19M7865	SCREW	2	M8 X 16	
	14M7298	FLANGE NUT	2	M8	
30	19M7865	SCREW	1	M8 X 16	
31	AH77884	CLIP	1		
32	14M7298	FLANGE NUT	1	M8	
33	H155968	COVER	1		
..	BH80066	COMPLETE GOODS/SHIP. BUNDLE	1		PLAIN DOOR WITH PROTECTIVE PLATES

5B9

CLEAN GRAIN ELEVATOR, GRAIN TANK AND UNLOADING AUGER

CLEAN GRAIN LOWER ELEVATOR AND CONVEYOR CHAIN
HP6653 -UN-07MAR97



HP6653

5B10

CLEAN GRAIN ELEVATOR, GRAIN TANK AND UNLOADING AUGER

CLEAN GRAIN LOWER ELEVATOR AND CONVEYOR CHAIN - CONTINUED

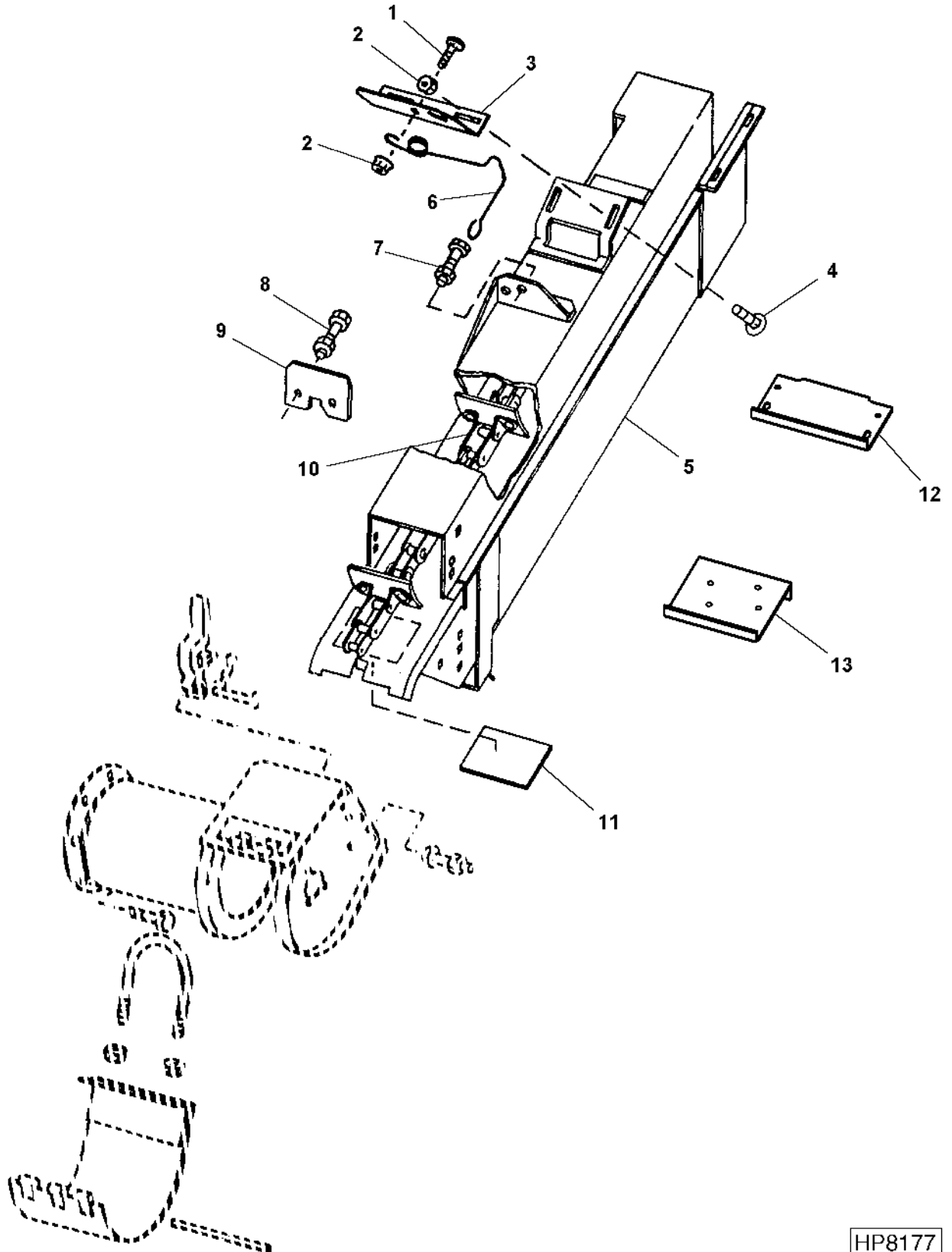
KEY	PART NO.	PART NAME	QTY	SERIAL NO.	REMARKS
1	H101297	LEVER	1		
2	11M7081	COTTER PIN	1	2.500 X 20 MM	
	11M1383	COTTER PIN	1	3.200 X 20 MM, (SUB FOR 11H211) (STAINLESS STEEL)	
3	RV810A	PIN	14		
4	03M7251	BOLT	14	M6 X 12	
	14M7303	FLANGE NUT	14	M6	
5	AH149182	BOOT	1		
6	19M7865	SCREW	8	M8 X 16, (STANDARD)	
	37M7058	SCREW	8	M8 X 20	
7	H128877	U-BOLT	1		
8	14M7396	LOCK NUT	2	M8	
9	AH129357	DOOR	1	(STANDARD)	
10	H75985	DOWEL PIN	1		
11	19M8241	CAP SCREW	1	M10 X 100	
12	14M7296	FLANGE NUT	3	M10	

5B11

CLEAN GRAIN ELEVATOR, GRAIN TANK AND UNLOADING AUGER

CLEAN GRAIN LOWER ELEVATOR AND CONVEYOR CHAIN

HP8177 -UN-19JAN99



HP8177

5B12

CLEAN GRAIN ELEVATOR, GRAIN TANK AND UNLOADING AUGER

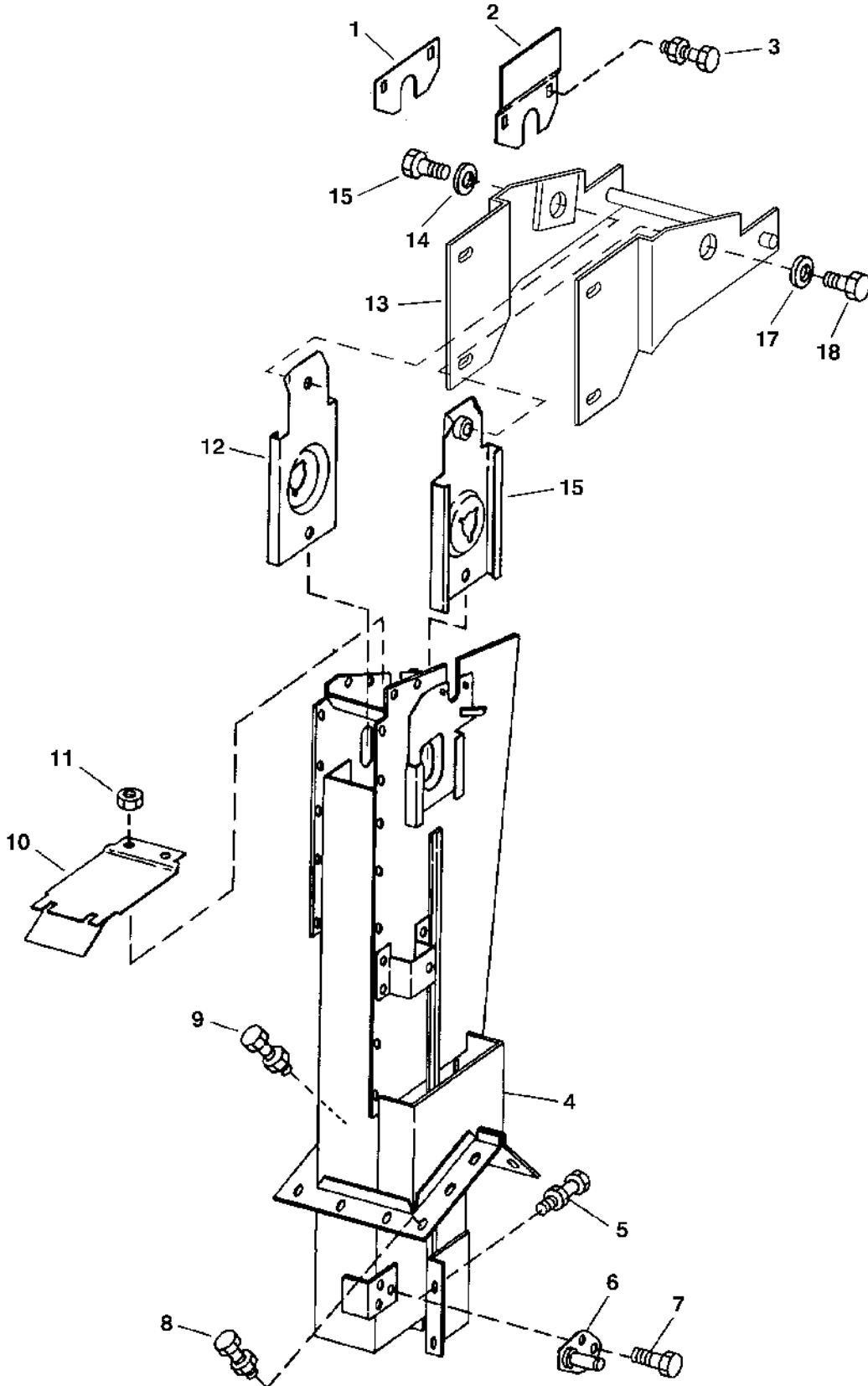
CLEAN GRAIN LOWER ELEVATOR AND CONVEYOR CHAIN - CONTINUED

KEY	PART NO.	PART NAME	QTY	SERIAL NO.	REMARKS
1	19M7784	SCREW	1	M10 X 20	
2	14M7296	FLANGE NUT	3	M10	
3	H129389	BRACKET	1		
4	03M7190	BOLT	2	M10 X 20	
5	AH156594	ELEVATOR	1		
	AH156595	ELEVATOR	1		(SUB FOR AH156809) STAINLESS STEEL
6	H130930	SPRING	1		
7	19M7784	SCREW	1	M10 X 20	
	14M7296	FLANGE NUT	1	M10	
8	H144971	BOLT	2	3/8", FOR STEEL CLEANING PADDLES	
	12H11	LOCK WASHER	2	3/8", FOR STEEL CLEANING PADDLES	
	14H255	NUT	2	3/8", FOR STEEL CLEANING PADDLES	
	AH138947	KIT	AR		(INCLUDES (2) H144971 BOLTS, (2) 12H11 LOCK WASHERS AND (2) 14H255 NUTS) REPLACES RIVETS IN RUBBER PADDLES
9	H132227	PADDLE	1		(STEEL CLEANING)
10	AH158635	CHAIN LINK	1		(ROLLER)
	AH137631	CHAIN LINK	1		(OFFSET, WITH PIN)
	AC11779	PIN	1		
	C10263	TRACK CHAIN W/O SHOES	1		(COUPLER)
	AC14974	PIN	1		
	H137276	PADDLE	34		(RUBBER)
	AH149320	LINK CHAIN	1		(SUB AH162441)
	AH162441	LINK CHAIN	1		
11	T37851	REINFORCEMENT	1		
12	PF80112	PLATE	1		LESS GREENSTAR
13	PF80113	PLATE	1		LESS GREENSTAR
..	03M7221	BOLT	8		M6 X 16, LESS GREENSTAR
..	14M7303	FLANGE NUT	8		M6, LESS GREENSTAR

5B13

CLEAN GRAIN ELEVATOR, GRAIN TANK AND UNLOADING AUGER

UPPER CLEAN GRAIN ELEVATOR
HP7176 -UN-07OCT97



HP7176

5B14

CLEAN GRAIN ELEVATOR, GRAIN TANK AND UNLOADING AUGER

UPPER CLEAN GRAIN ELEVATOR - CONTINUED

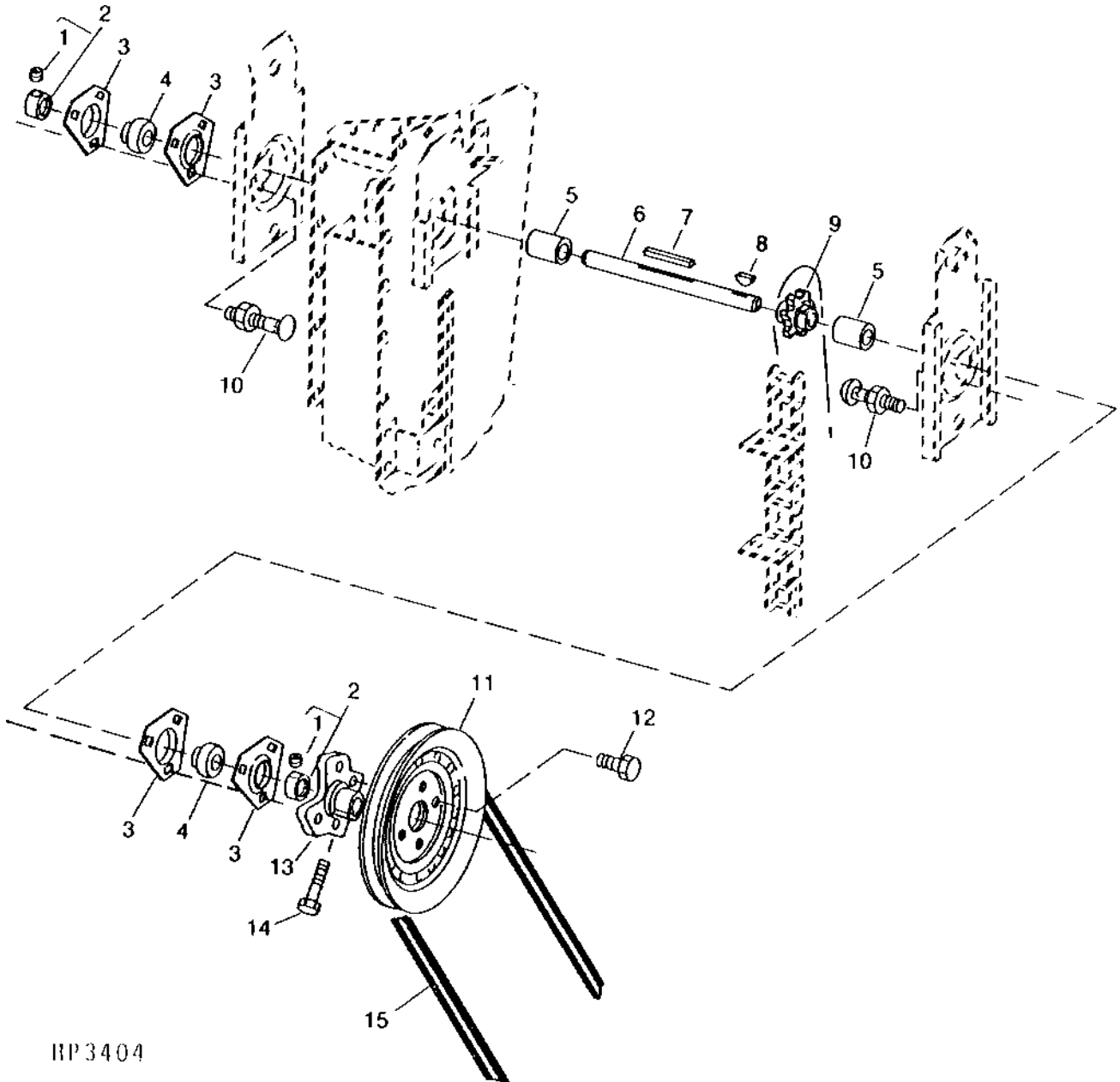
KEY	PART NO.	PART NAME	QTY	SERIAL NO.	REMARKS
1	H134286	SEAL	1		
2	H134287	SEAL	1		
3	03M7221	BOLT	2		M6 X 16, (TO PLUG HOLES WHEN MOISTURE SENSOR IS NOT USED)
4	14M7303	FLANGE NUT	2		M6
	AH142188	ELEVATOR	1		STAINLESS STEEL
	AH142185	ELEVATOR	1		
	AH153743	ELEVATOR	1		
	AH153744	ELEVATOR	1		
5	19M7785	SCREW	4		M10 X 25
	14M7296	FLANGE NUT	4		M10
6	AH156051	SPRING PIN	1		
7	37M7086	SCREW	3		M10 X 20
8	BOLT	2		(WELDED)
	14M7298	FLANGE NUT	2		M8
9	BOLT	12		(WELDED)
	14M7298	FLANGE NUT	12		M8
10	PF80105	DEFLECTOR	1		(SUB FOR PF80021)
11	14M7298	FLANGE NUT	4		M8
12	AH130370	BRACKET	2		
13	AH149242	BRACKET	1		
14	24H1710	WASHER	2		13/32" X 2" X 0.065"
15	19M7865	SCREW	2		M8 X 16

5B15

CLEAN GRAIN ELEVATOR, GRAIN TANK AND UNLOADING AUGER

UPPER CLEAN GRAIN ELEVATOR SHAFT, SPROCKET AND SHEAVE

HP3404 -UN-01JAN94



HP 3404

5B16

CLEAN GRAIN ELEVATOR, GRAIN TANK AND UNLOADING AUGER

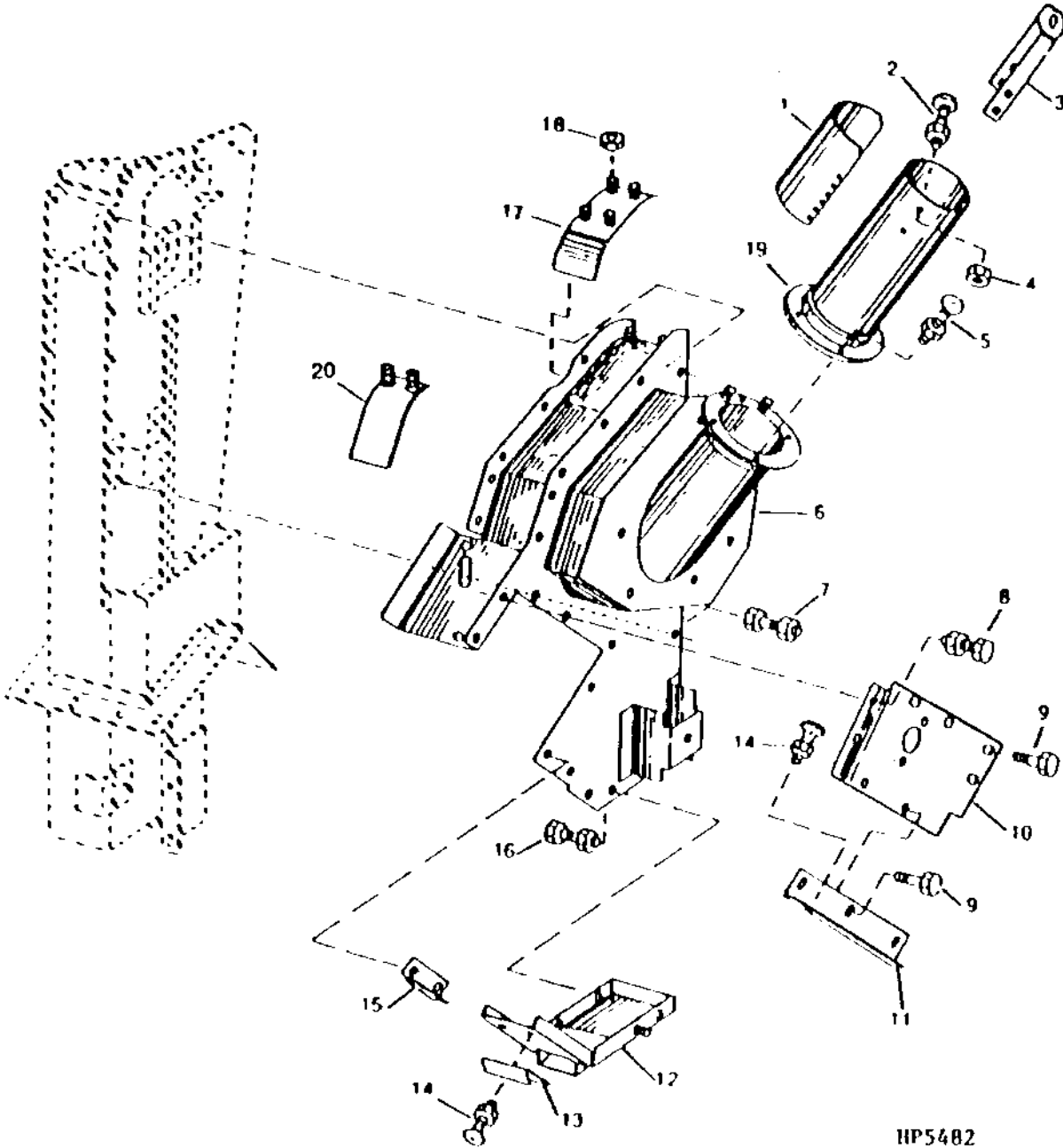
UPPER CLEAN GRAIN ELEVATOR SHAFT, SPROCKET AND SHEAVE - CONTINUED

KEY	PART NO.	PART NAME	QTY	SERIAL NO.	REMARKS
1	22M7080	SET SCREW	2		
2	AZ10045	ECCENTRIC LOCKING COLLAR	2		
3	E10018	PRESSED FLANGED HOUSING	4		
4	JD39103	BALL BEARING	2		
5	H128890	SPACER	2		
6	H135713	SHAFT	1		
7	49M6480	SHAFT KEY	1		8 X 7 X 50 MM
8	26M4228	SHAFT KEY	1		
9	H128576	CHAIN SPROCKET	1		8 TOOTH
10	03M7190	BOLT	6		M10 X 20
	14M7296	FLANGE NUT	6		M10
11	AH135463	SHEAVE	1		
12	19M7784	SCREW	4		M10 X 20
13	H134760	HUB	1		
14	19M7663	CAP SCREW	1		M8 X 70
15	H160171	BELT	1		

5B17

CLEAN GRAIN ELEVATOR, GRAIN TANK AND UNLOADING AUGER

UPPER CLEAN GRAIN LOADING AUGER HOUSING
HP5482 -UN-01JAN94



HP5482

5B18

CLEAN GRAIN ELEVATOR, GRAIN TANK AND UNLOADING AUGER

UPPER CLEAN GRAIN LOADING AUGER HOUSING - CONTINUED

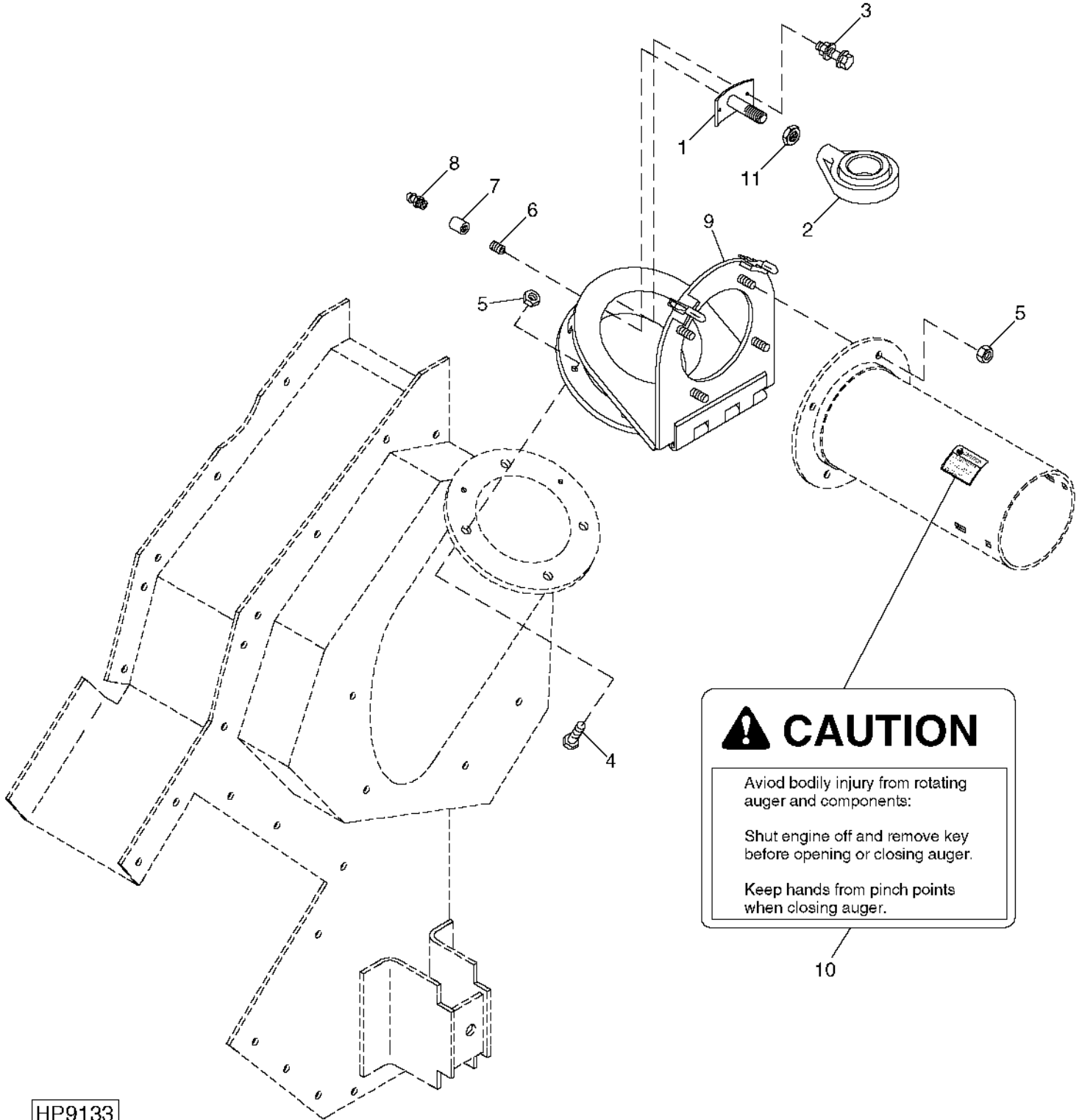
KEY	PART NO.	PART NAME	QTY	SERIAL NO.	REMARKS
1	H136095	DEFLECTOR	1		
2	03M7193	BOLT	4	M10 X 35	
	14M7296	FLANGE NUT	4	M10	
3	AH135439	SUPPORT	1		
4	14M7296	FLANGE NUT	4	M10	
5	03M7185	BOLT	4	M8 X 25	
	14M7298	FLANGE NUT	4	M8	
6	AH149183	CHUTE	1	(REGULAR)	
	AH149184	CHUTE	1	(STAINLESS STEEL)	
7	19M7865	SCREW	1	M8 X 16	
	14M7298	FLANGE NUT	9	M8	
8	19M7866	SCREW	10	M8 X 20	
	14M7298	FLANGE NUT	2	M8	
9	37M7086	SCREW	8	M10 X 20	
10	AH135441	PANEL	1		
11	H141033	ANGLE	1		
12	AH131550	DUST SHIELD	1		
13	H135538	ANGLE	1		
14	03M7183	BOLT	3	M8 X 16	
	14M7298	FLANGE NUT	3	M8	
15	H140096	ANGLE	1		
16	19M7865	SCREW	3	M8 X 16	
	14M7298	FLANGE NUT	3	M8	
17	AH135440	PLATE	1		
18	14M7298	FLANGE NUT	4	M8	
19	AH135444	HOUSING	1	(REGULAR)	
	AH135445	HOUSING	1	(STAINLESS STEEL)	
20	AH142630	HOOD	1		

5B19

CLEAN GRAIN ELEVATOR, GRAIN TANK AND UNLOADING AUGER

FOLDING UPPER CLEAN GRAIN LOADING AUGER HOUSING

HP9133 -UN-01OCT99



CAUTION

Avoid bodily injury from rotating auger and components:

Shut engine off and remove key before opening or closing auger.

Keep hands from pinch points when closing auger.

5B20

CLEAN GRAIN ELEVATOR, GRAIN TANK AND UNLOADING AUGER

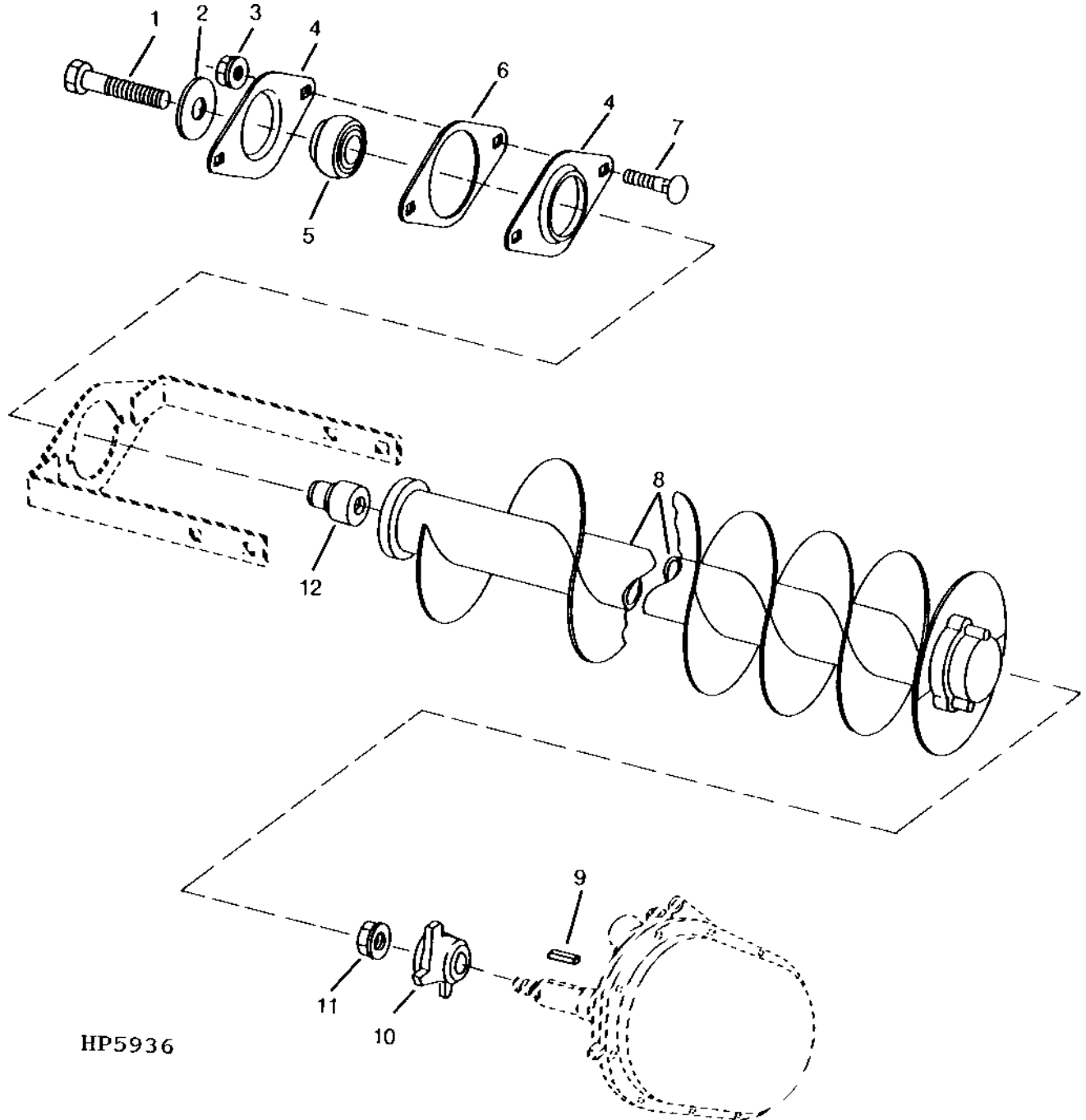
FOLDING UPPER CLEAN GRAIN LOADING AUGER HOUSING - CONTINUED

KEY	PART NO.	PART NAME	QTY	SERIAL NO.	REMARKS
1	AH146218	HANGER	1		
2	AH146221	BEARING	1		INCLUDES HANGER
3	19M7867	SCREW	2		M8 X 25
	14M7298	FLANGE NUT	2		M8
4	03M7185	BOLT	4		M8 X 25
5	14M7298	FLANGE NUT	8		M8
6	29H31	THREADED NIPPLE	1		
7	15H73	COUPLING	1		
8	JD7759	LUBRICATION FITTING	1		
9	AH146216	HINGE	1		
10	H151397	SIGN	1		
11	H160319	NUT	1		
..	BH80337	COMPLETE GOODS/SHIP. BUNDLE	1		FOLDING GRAIN TANK AUGER
..	BH81122	COMPLETE GOODS/SHIP. BUNDLE	1		PARTS BOX - AUGER ASSEMBLY - FOLDING UPPER
..	BH81124	COMPLETE GOODS/SHIP. BUNDLE	1		PARTS BOX - AUGER ASSEMBLY - LOWER

5B21

CLEAN GRAIN ELEVATOR, GRAIN TANK AND UNLOADING AUGER

CLEAN GRAIN LOADING AUGER
HP5936 -UN-26JUN95



HP5936

5B22

CLEAN GRAIN ELEVATOR, GRAIN TANK AND UNLOADING AUGER

CLEAN GRAIN LOADING AUGER - CONTINUED

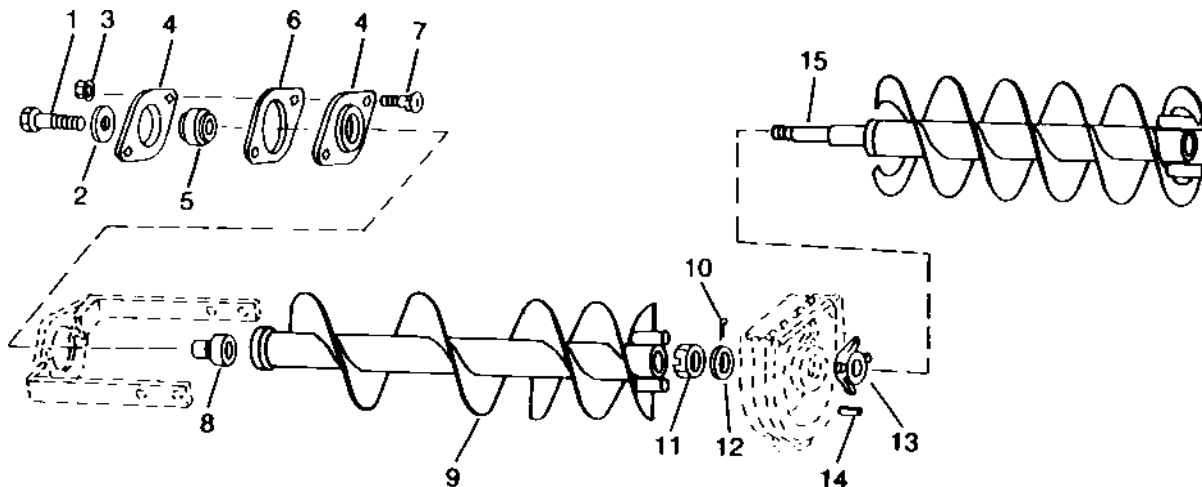
KEY	PART NO.	PART NAME	QTY	SERIAL NO.	REMARKS
1	19M7818	SCREW	1	M12 X 80	
2	24M7180	WASHER	1	13 X 37 X 3 MM	
3	14M7296	FLANGE NUT	2	M10	
4	N15764	PRESSED FLANGED HOUSING	2		
5	JD9219	BALL BEARING	1		
6	H137916	SHIM	2		
7	03M7307	BOLT	2	M10 X 25	
8	AH136635	AUGER	1		
9	49M4821	SHAFT KEY	1	6 X 32 MM	
10	H136186	AUGER	1		
11	14M7291	FLANGE NUT	1	M16	
12	H137919	BUSHING	1		

5B23

CLEAN GRAIN ELEVATOR, GRAIN TANK AND UNLOADING AUGER

FOLDING CLEAN GRAIN LOADING AUGER

HP5877 -UN-26JUN95



HP5877

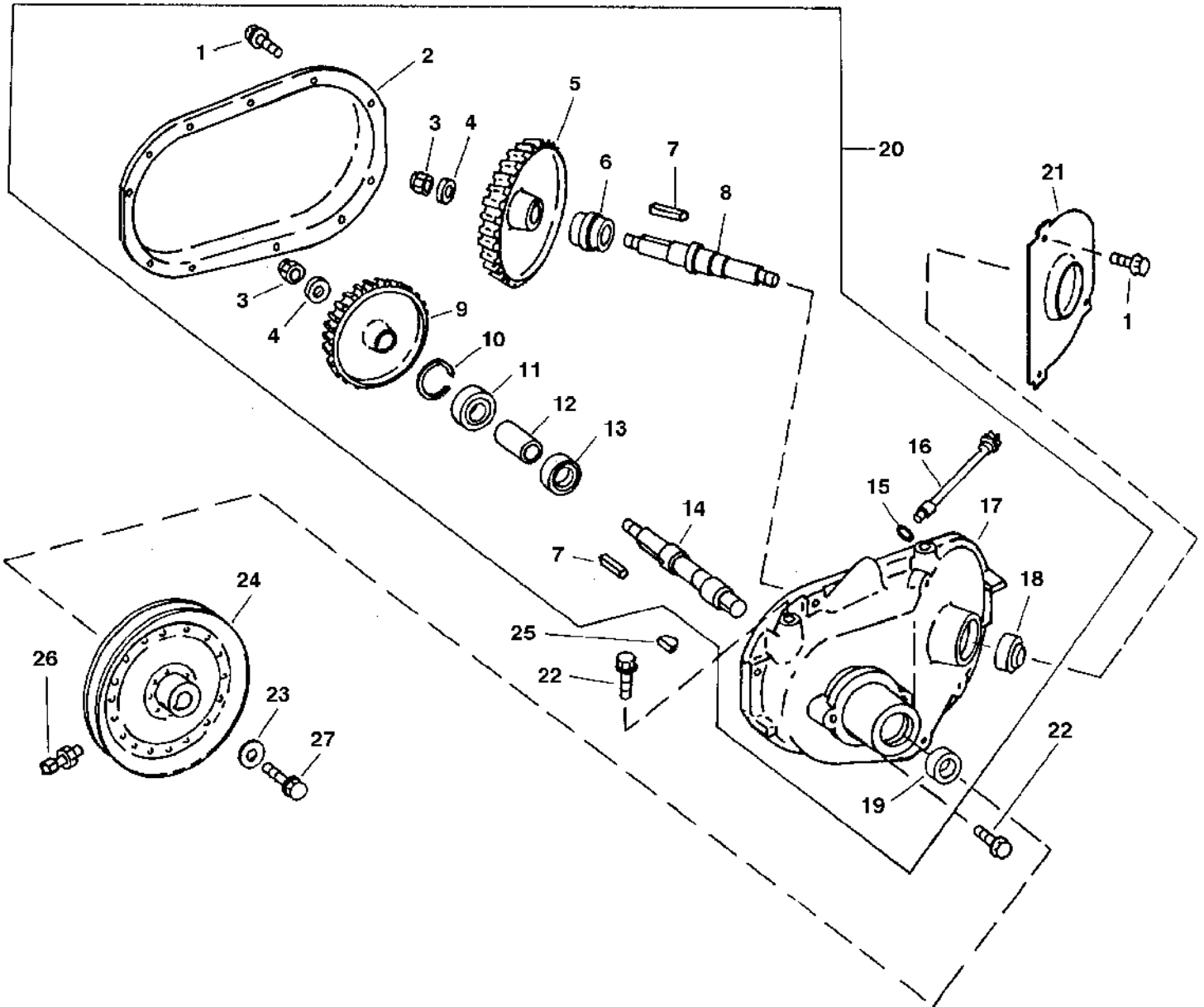
KEY	PART NO.	PART NAME	QTY	SERIAL NO.	REMARKS
1	19M7818	SCREW	1	M12 X 80	
2	24M7180	WASHER	1	13 X 37 X 3 MM (0.512" X 1.457" X 0.118")	
3	14M7296	FLANGE NUT	2	M10	
4	N15764	PRESSED FLANGED HOUSING	2		
5	JD9219	BALL BEARING	1		
6	H137916	SHIM	2		
7	03M7307	BOLT	2	M10 X 25	
8	H137919	BUSHING	1		
9	AH146509	FLIGHT	1		(INCLUDES H137919 BUSHING AND 19M7818 SCREW)
10	11M7087	COTTER PIN	1	4 X 40 MM (0.157" X 1.575")	
11	14M7205	NUT	1	M24	
12	24M7091	WASHER	1	26 X 44 X 4 MM (1.024" X 1.732" X 0.157")	
13	H136186	AUGER	1		
14	49M4821	SHAFT KEY	1		
15	AH146214	AUGER	1		
..	BH80337	COMPLETE GOODS/SHIP. BUNDLE	1		FOLDING GRAIN TANK AUGER
..	BH81122	COMPLETE GOODS/SHIP. BUNDLE	1		PARTS BOX - AUGER ASSEMBLY - FOLDING UPPER
..	BH81124	COMPLETE GOODS/SHIP. BUNDLE	1		PARTS BOX - AUGER ASSEMBLY - LOWER

MEMORANDA

5B24

CLEAN GRAIN ELEVATOR, GRAIN TANK AND UNLOADING AUGER

CLEAN GRAIN ELEVATOR GEARCASE AND SHEAVE
HP6913 -UN-18AUG97



HP6913

5B25

CLEAN GRAIN ELEVATOR, GRAIN TANK AND UNLOADING AUGER

CLEAN GRAIN ELEVATOR GEARCASE AND SHEAVE - CONTINUED

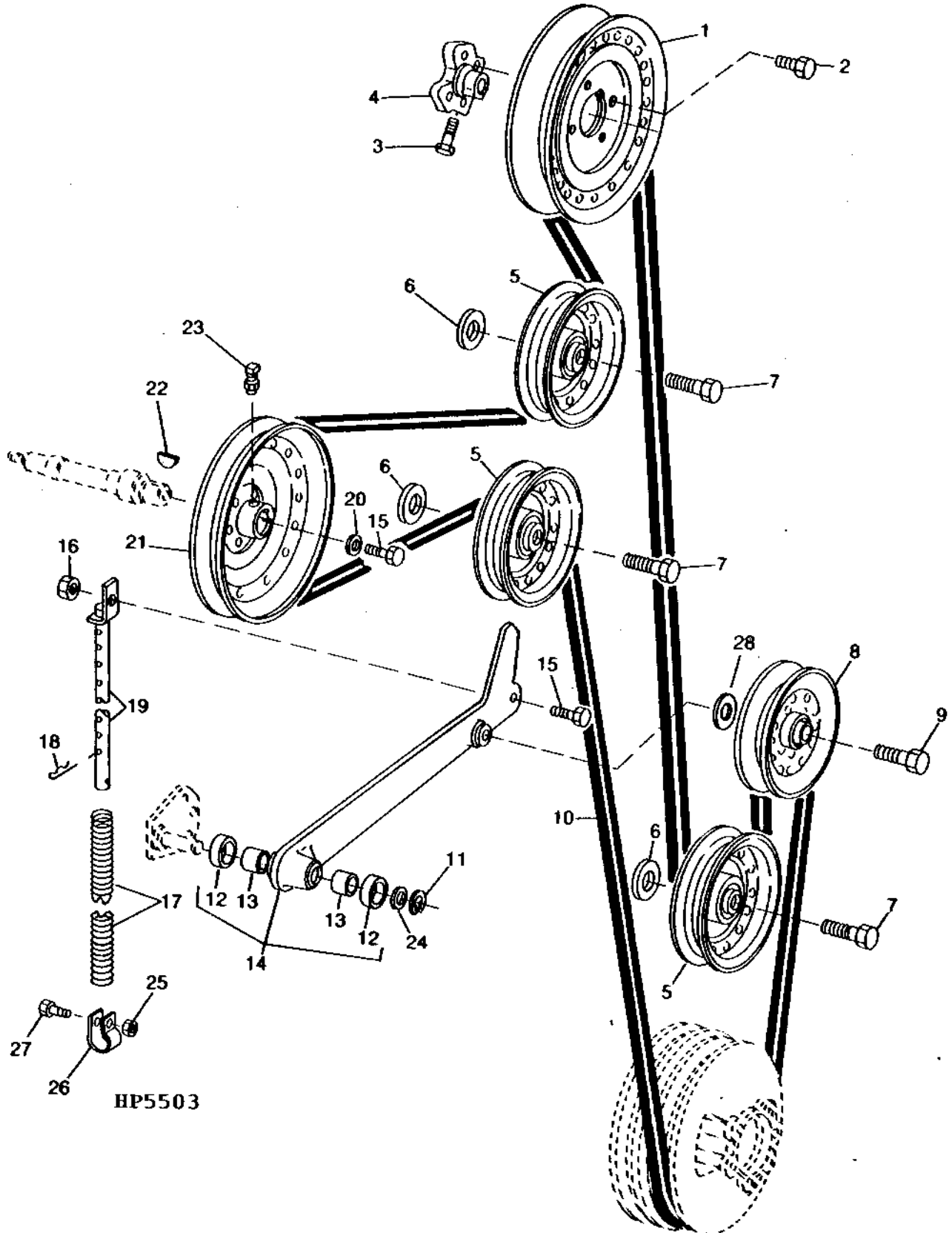
KEY	PART NO.	PART NAME	QTY	SERIAL NO.	REMARKS
1	19M7866	SCREW	3	M8 X 20	
	19M7407	CAP SCREW	11	M8 X 25	
	24H1685	WASHER	22	8.738 X 18.644 X 2.108 MM (11/32" X 47/64" X 0.083"	
2	H135454	COVER	1		
3	W39621	NUT	2	M16	
4	24H1825	WASHER	2	11/16" X 1-1/2" X 0.194"	
5	H145316	BEVEL GEAR	1	(SUB H135286) 53 TEETH	
	H135286	GEAR	1		
6	AE42998	BALL BEARING	1		
7	49M4821	SHAFT KEY	2	6 X 6 X 32 MM	
8	H136209	SHAFT	1		
9	H145317	BEVEL GEAR	1	(SUB H135287) 46 TEETH	
	H135287	GEAR	1		
10	P46874	SNAP RING	1		
11	JD7689	BALL BEARING	1		
12	28H3054	BUSHING	1		
13	JD7681	BALL BEARING	1		
14	H135452	SHAFT	1	(USE WITH AH140127)	
	H170967	SHAFT	1	(USE WITH DE19111)	
15	R26375	O-RING	1		
16	AH134598	DIPSTICK	1		
17	H135453	GEAR CASE	1	(SUB CE18015)	
	CE18015	HOUSING	1	(LESS GREENSTAR)	
18	AH131860	SEAL	1		
19	AH21815	SEAL	1		
20	AH140127	GEAR CASE	1	(SUB DE19111) (ALSO ORDER AH164868, H170967 AND 26M7008)	
	DE19111	GEAR CASE	1		
21	H137606	PLATE	1		
22	19M7789	SCREW	4	M12 X 30	
23	24H1351	WASHER	1	14.275 X 38.100 X 4.166 MM	
24	AH132372	SHEAVE	1	(USE WITH AH140127)	
	AH164868	SHEAVE	1	(USE WITH DE19111)	
25	26H85	SHAFT KEY	1	1/4" X 1", (SUB FOR 26H22) (USE WITH AH140127) (SUB P49158)	
	26M7008	SHAFT KEY	1	(USE WITH DE19111)	
26	22H836	SET SCREW	2	3/8" X 1"	
	14H732	NUT	2	3/8"	
27	19M7786	SCREW	1	M10 X 30	
..	TY15130	SEALANT	1	(03 OZ. TUBE) (CANADA PART NO TY9484)	
..	TY6333	GREASE	1	(14 OZ.) MULTI-PURPOSE	
..	AH162230	KIT	1	(INCLUDES (1) H135286, (1) H135287) (LESS GREENSTAR)	

5C1

CLEAN GRAIN ELEVATOR, GRAIN TANK AND UNLOADING AUGER

CLEAN GRAIN ELEVATOR DRIVE TIGHTENER AND IDLER

HP5503 -UN-01JAN94



5C2

CLEAN GRAIN ELEVATOR, GRAIN TANK AND UNLOADING AUGER

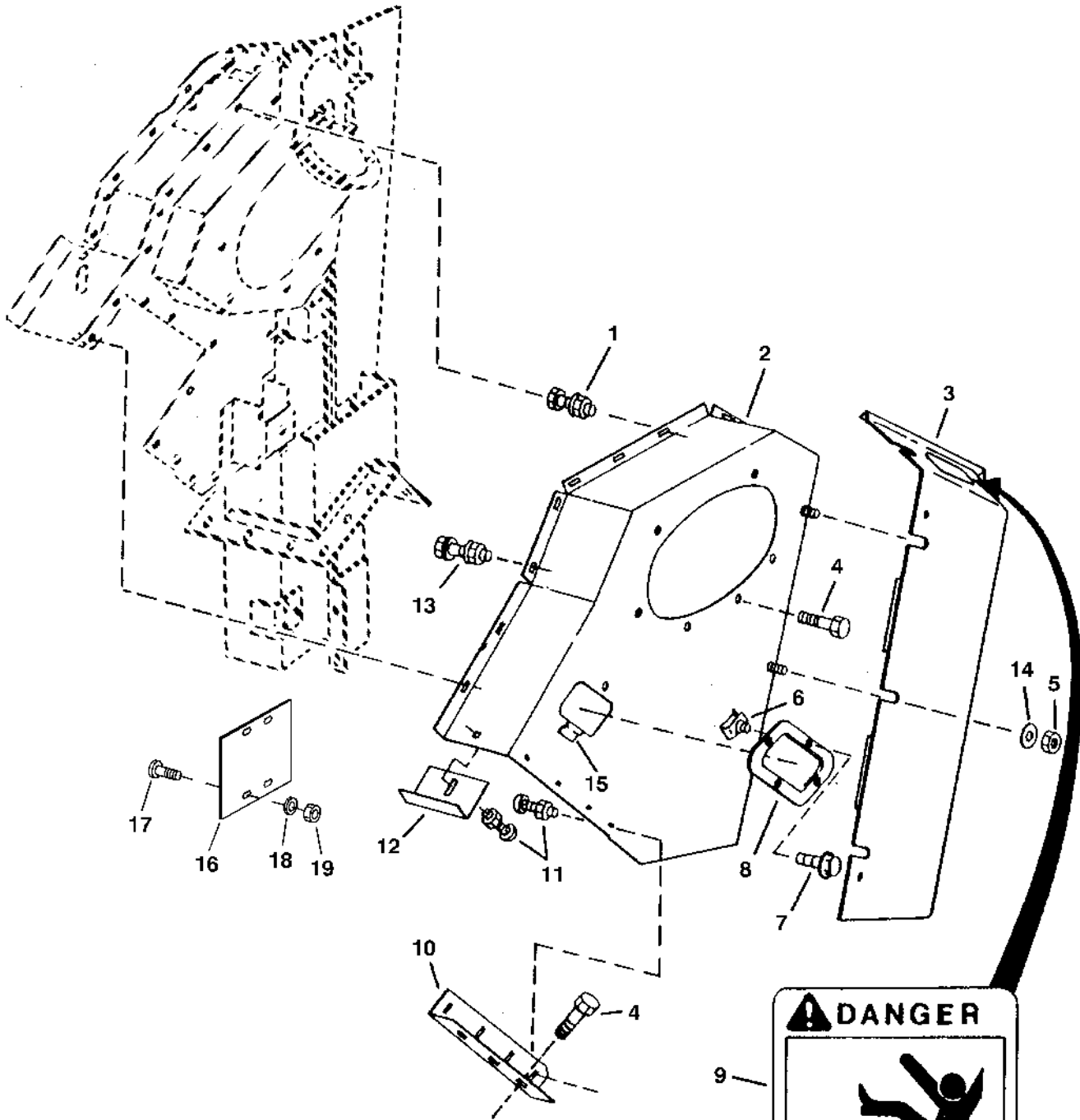
CLEAN GRAIN ELEVATOR DRIVE TIGHTENER AND IDLER - CONTINUED

KEY	PART NO.	PART NAME	QTY	SERIAL NO.	REMARKS
1	AH135463	SHEAVE	1		CONVEYOR CHAIN
2	19M7784	SCREW	4		M10 X 20
3	19M7663	CAP SCREW	1		M8 X 70
4	H134760	HUB	1		
5	AH94450	IDLER	3		
6	24M7053	WASHER	3		17 X 30 X 3 MM
7	19M7824	SCREW	3		M16 X 60
8	AN15237	IDLER	1		
9	19M7844	SCREW	1		M16 X 45
10	H160171	BELT	1		
11	P46402	SNAP RING	1		
12	AA5607R	SEAL	2		
13	H99147	BUSHING	2		(SUB H171061)
	H171061	BEARING	2		
14	AH135579	ARM	1		
15	19M7786	SCREW	2		M10 X 30
16	A51212	LOCK NUT	1		M10
17	H129049	SPRING	1		
18	A3581R	SPRING LOCKING PIN	1		
19	AH124502	RETAINER	1		
20	24H1351	WASHER	1		14.275 X 38.100 X 4.166 MM
21	AH132372	SHEAVE	1		GEARCASE
22	26H22	SHAFT KEY	1		1/4" X 1"
23	22H836	SET SCREW	2		3/8" X 1"
	14H732	NUT	2		3/8"
24	24M7091	WASHER	1		26 X 44 X 4 MM
25	14M7303	FLANGE NUT	1		M6
26	H132088	CLAMP	1		
27	19M8321	SCREW	1		M6 X 45
28	24H1373	WASHER	2		21/32" X 1-9/16" X 0.180"

5C3

CLEAN GRAIN ELEVATOR, GRAIN TANK AND UNLOADING AUGER

UPPER CLEAN GRAIN ELEVATOR SHIELDS
HP6654 -UN-07MAR97



HP6654

5C4

CLEAN GRAIN ELEVATOR, GRAIN TANK AND UNLOADING AUGER

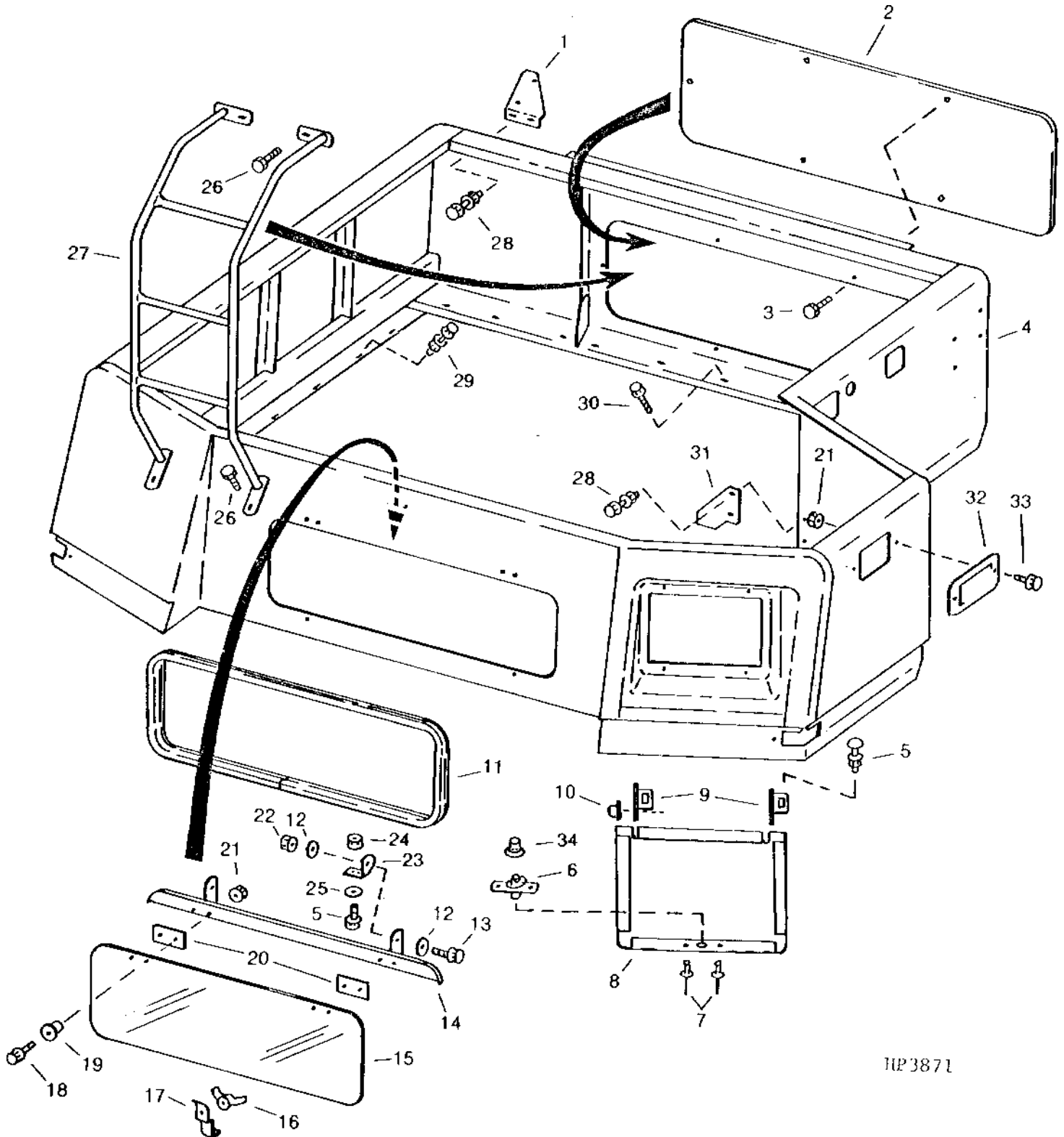
UPPER CLEAN GRAIN ELEVATOR SHIELDS - CONTINUED

KEY	PART NO.	PART NAME	QTY	SERIAL NO.	REMARKS
1	19M7865	SCREW	5	M8 X 16	
	14M7298	FLANGE NUT	5	M8	
2	AH137257	SHIELD	1		
3	AH137256	SHIELD	1		
4	03M7183	BOLT	9	M8 X 16	
	14M7298	FLANGE NUT	9	M8	
5	14M7020	WING NUT	5	M8	
6	M84972	NUT	1		
7	19M7774	SCREW	1	M6 X 12	
8	H89569	DOOR	1		
9	H149062	DECAL	1	"DANGER" ON REAR OF GRAIN TANK EXTENSION	
10	H141044	ANGLE	1		
11	03M7183	BOLT	5	M8 X 16	
	14M7298	FLANGE NUT	5	M8	
12	H135590	ANGLE	1		
13	19M7866	SCREW	2	M8 X 20	
	14M7298	FLANGE NUT	2	M8	
	24M7207	WASHER	2	8.400 X 24 X 2 MM	
14	24H1297	WASHER	3	11/32" X 2" X 0.065"	
15	H82060	CLIP	1		
16	PF10026	PLATE	1		
17	03M7190	BOLT	2	M10 X 20	
18	24M7228	WASHER	2		
19	14M7296	FLANGE NUT	2	M10	

5C5

CLEAN GRAIN ELEVATOR, GRAIN TANK AND UNLOADING AUGER

GRAIN TANK TOP
HP3871 -UN-01JAN94



HP3871

5C6

CLEAN GRAIN ELEVATOR, GRAIN TANK AND UNLOADING AUGER

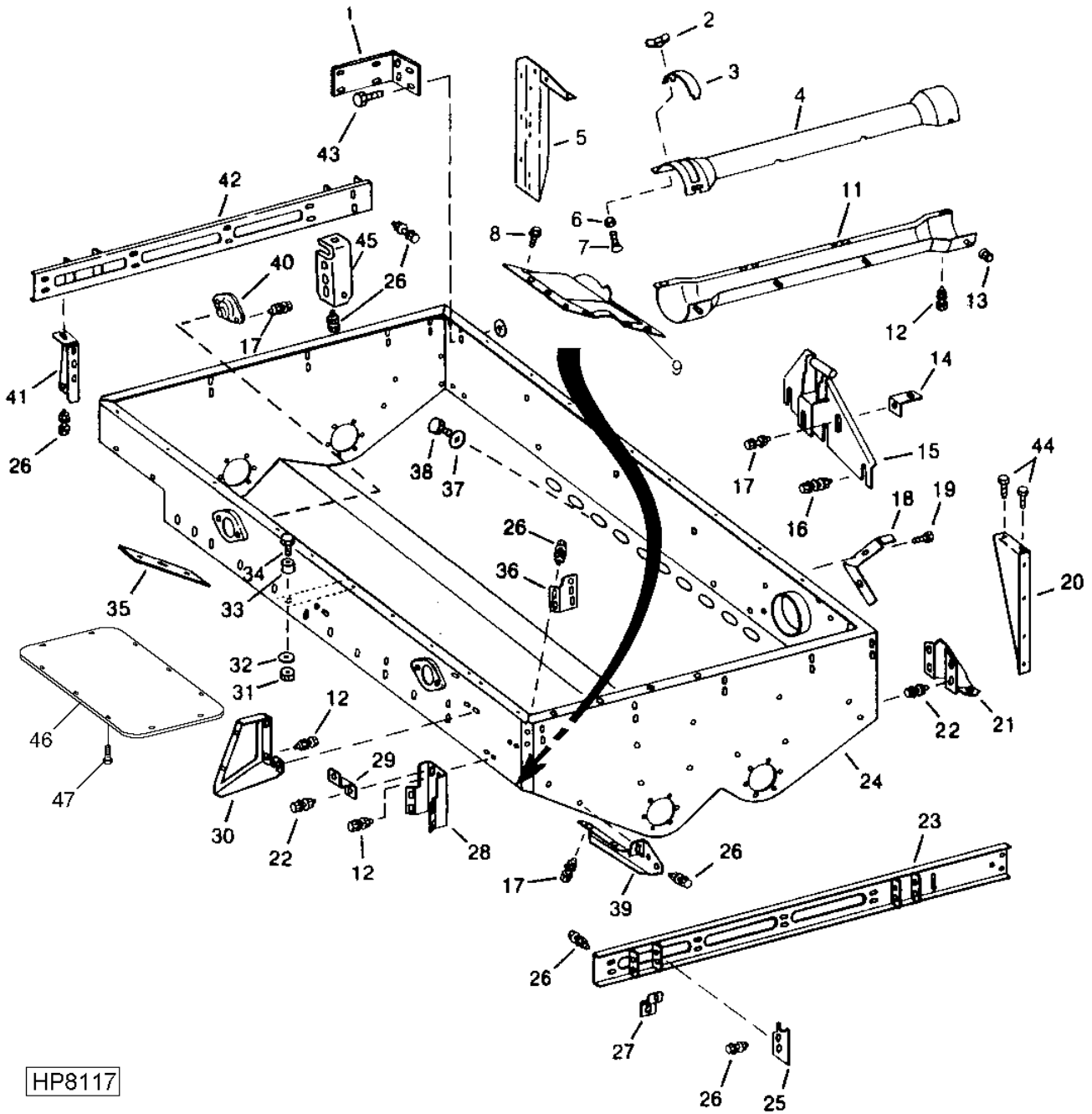
GRAIN TANK TOP - CONTINUED

KEY	PART NO.	PART NAME	QTY	SERIAL NO.	REMARKS
1	H133584	BRACKET	1		
2	H127638	PANEL	1		
3	19M7865	SCREW	6	M8 X 16	
4	AH158113	TANK	1		
5	03M7183	BOLT	6	M8 X 16	
	14M7298	FLANGE NUT	2	M8	
6	AH125644	LATCH	1		
7	H64584	RIVET	2		
8	AH122507	DOOR	1		
9	H132024	HINGE	2		
10	H120499	NUT	2		
11	AH80335	WEATHERSTRIP	AR		
12	B27370	WASHER	4	8.330 X 19.050 X 0.910 MM	
13	19M7866	SCREW	2	M8 X 20	
14	AH126619	REINFORCEMENT	1		
15	H131675	WINDOWPANE	1		
16	14M7019	WING NUT	2	M6	
17	H131674	LATCH	2		
18	19M7862	SCREW	4	M6 X 20	
19	R50642	WASHER	4	0.265" X 0.390" X 0.354"	
20	H131673	GASKET	2		
21	14M7303	FLANGE NUT	8	M6	
22	14M7396	LOCK NUT	2	M8	
23	H132542	ANGLE	2		
24	14M7298	FLANGE NUT	4	M8	
25	M84309	NUT	4	7.925 MM	
26	19M7866	SCREW	4	M8 X 20 M8	
27	AH154920	LADDER	1	(SUB AH160622)	
	AH160622	LADDER	1		
28	19M7866	SCREW	5	M8 X 20	
	14M7298	FLANGE NUT	5	M8	
29	19M7865	SCREW	9	M8 X 16	
	14M7298	FLANGE NUT	9	M8	
	03M7183	BOLT	4	M8 X 16	
	M84309	NUT	4	7.925 MM, TO RETAIN M8 BOLTS	
30	37M7058	SCREW	21	M8 X 20	
31	H130262	PANEL	1	ROLLING THREAD	
32	H132666	PLATE	2		
33	19M7774	SCREW	4	M6 X 12, USED ONLY WITHOUT ROW LIGHTS	
34	H121391	KNOB	1		

5C7

CLEAN GRAIN ELEVATOR, GRAIN TANK AND UNLOADING AUGER

GRAIN TANK BASE
HP8117 -UN-04JAN99



HP8117

5C8

CLEAN GRAIN ELEVATOR, GRAIN TANK AND UNLOADING AUGER

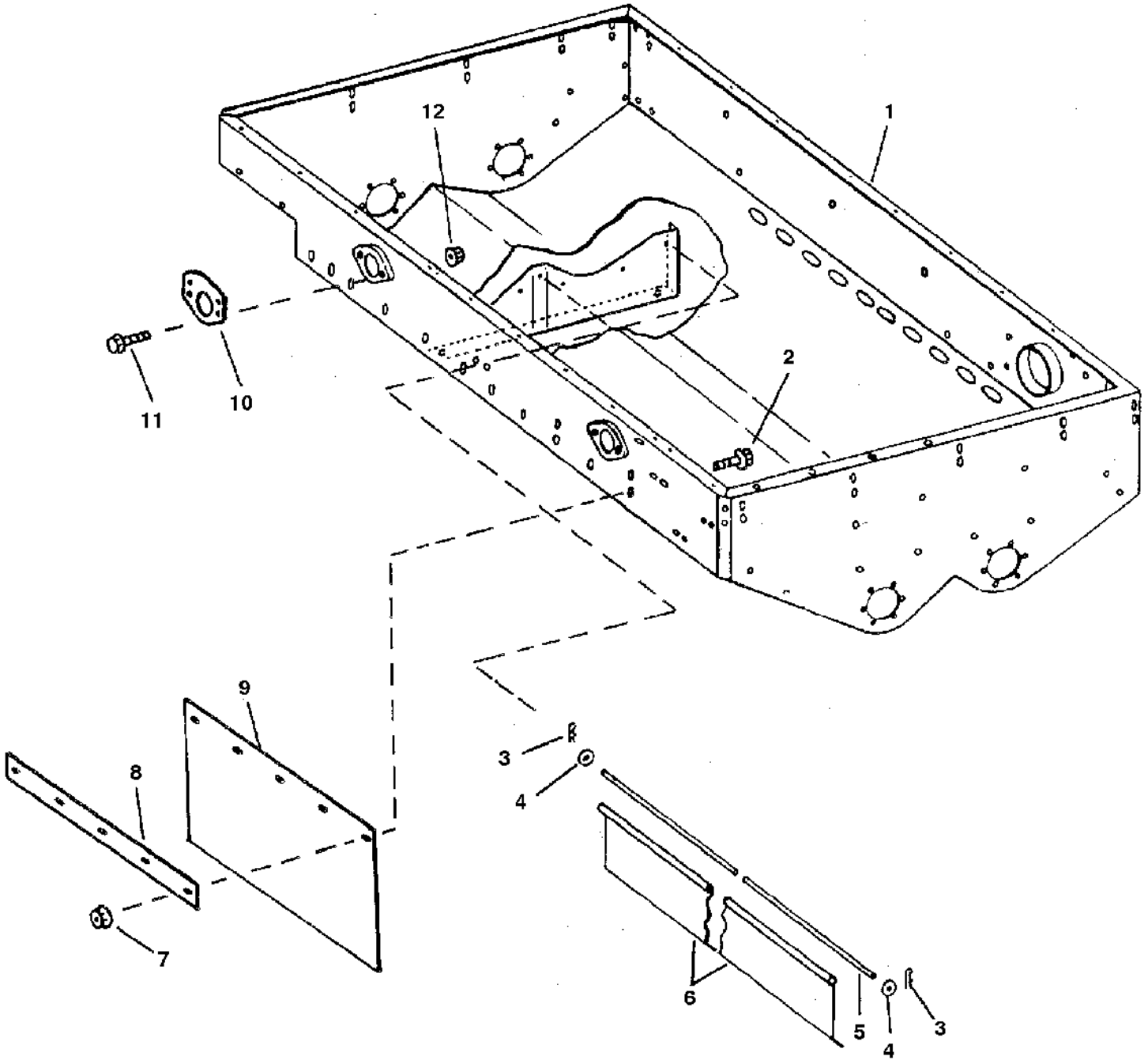
GRAIN TANK BASE - CONTINUED

KEY	PART NO.	PART NAME	QTY	SERIAL NO.	REMARKS
1	H129885	ANGLE	1		
2	14M7020	WING NUT	1	M8	
3	H131264	COVER	1		
4	H131230	HOUSING	1	UPPER	
5	AH130198	SUPPORT	1		
6	M84309	NUT	2	7.925 MM	
7	03M7184	BOLT	2	M8 X 20	
8	H145773	SELF-LOCKING SCREW	2	M10 X 35	
9	AH126275	HOUSING	1		
10	H141123	NUT	5	10 MM	
11	AH126279	DUST SHIELD	1	LOWER	
12	19M7865	SCREW	8	M8 X 16	
	14M7298	FLANGE NUT	8	M8	
13	14M7298	FLANGE NUT	4	M8	
14	H132662	BRACKET	1		
15	AH128037	BRACKET	1	LEFT-HAND	
16	19M7788	SCREW	5	M12 X 25	
	24M7180	WASHER	5	13 X 37 X 3 MM	
	14M7299	FLANGE NUT	5	M12	
17	19M7788	SCREW	6	M12 X 25	
	14M7299	FLANGE NUT	6	M12	
18	H131227	DEFLECTOR	1		
19	37M7083	SCREW	2	M8 X 12	
20	H147299	SUPPORT	1		
21	H129588	BRACKET	1		
22	19M7866	SCREW	5	M8 X 20	
	14M7298	FLANGE NUT	5	M8	
23	AH166714	CHANNEL	1	(SUB FOR AH125478)	
24	AH158105	TANK	1		
25	H125537	PLATE	4		
26	19M7784	SCREW	37	M10 X 20	
	14M7296	FLANGE NUT	37	M10	
27	H131628	BRACKET	1		
28	H136541	HOSE SUPPORT	1	CAB ISOLATION	
29	H132538	HOSE SUPPORT	1		
30	H130363	BRACKET	1		
31	14M7299	FLANGE NUT	4	M12	
32	24M7240	WASHER	4	13 X 25 X 3 MM	
33	N61709	BUSHING	4	13.487 X 25.400 X 18.110 MM	
34	19M8112	SCREW	4	M12 X 55	
35	H139972	PLATE	1		
36	AH125814	SUPPORT	1		
37	24H1347	WASHER	5		
38	37M7080	SCREW	5		
39	H127677	BRACKET	1		
40	AH108299	RUBBER MOUNT	2		
41	H139056	BRACKET	1		
42	AH166713	CHANNEL	1	(SUB FOR AH125306)	
43	19M7785	SCREW	1		
44	19M7788	SCREW	2	M12 X 25	
45	H129833	BRACKET	1		
46	H162572	PANEL	1	ACCESS	
47	37M7058	SCREW	10	M8 X 20	

5C9

CLEAN GRAIN ELEVATOR, GRAIN TANK AND UNLOADING AUGER

GRAIN TANK AND CURTAINS
HP6915 -UN-18AUG97



HP6915

5C10

CLEAN GRAIN ELEVATOR, GRAIN TANK AND UNLOADING AUGER

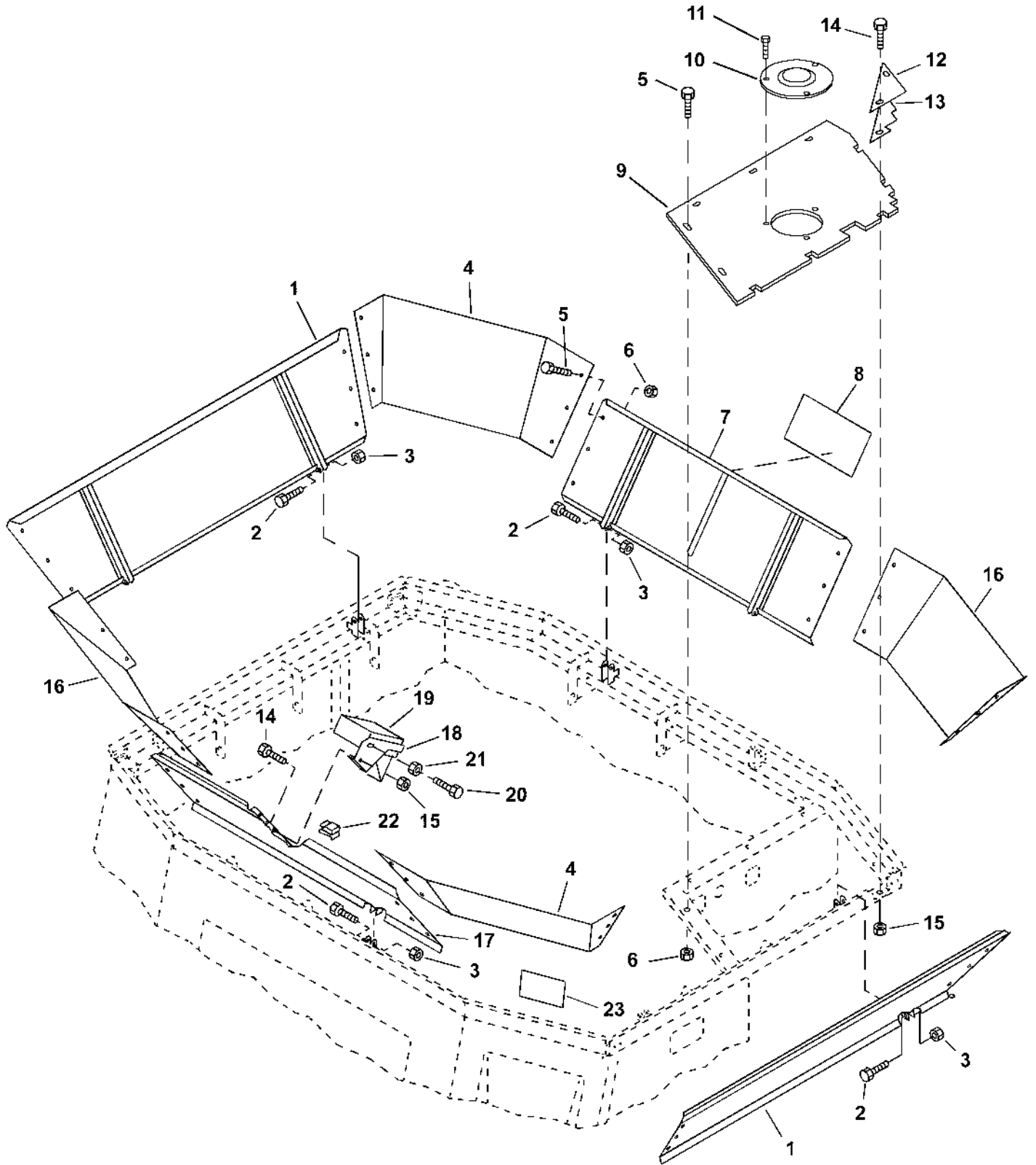
GRAIN TANK AND CURTAINS - CONTINUED

KEY	PART NO.	PART NAME	QTY	SERIAL NO.	REMARKS
1	AH158105	TANK	1		
2	19M7785	SCREW	5	M10 X 25	
3	A15147	SPRING LOCKING PIN	2		
4	T20217	WASHER	2	12.954 X 43.942 X 6.350 MM	
5	H144825	PIPE	1	(USE WITH H144823)	
	H76863	PIN	1	(USE WITH H145516)	
6	H144823	LIMIT CURTAIN	1	RUBBER (CORN AND GRAIN)	
	H145516	DEFLECTOR	1	STEEL (RICE)	
7	14M7400	LOCK NUT	1	M10	
8	H148116	PLATE	1		
9	H148056	LIMIT CURTAIN	1		
10	H148518	PLATE	2		
11	19M7788	SCREW	2	M12 X 25	
12	14M7299	FLANGE NUT	2	M12	
..	AH168093	KIT	1	STAINLESS STEEL TROUGH LINER	

5C11

CLEAN GRAIN ELEVATOR, GRAIN TANK AND UNLOADING AUGER

GRAIN TANK EXTENSIONS
HP7593 -UN-05AUG98



HP7593

5C12

CLEAN GRAIN ELEVATOR, GRAIN TANK AND UNLOADING AUGER

GRAIN TANK EXTENSIONS - CONTINUED

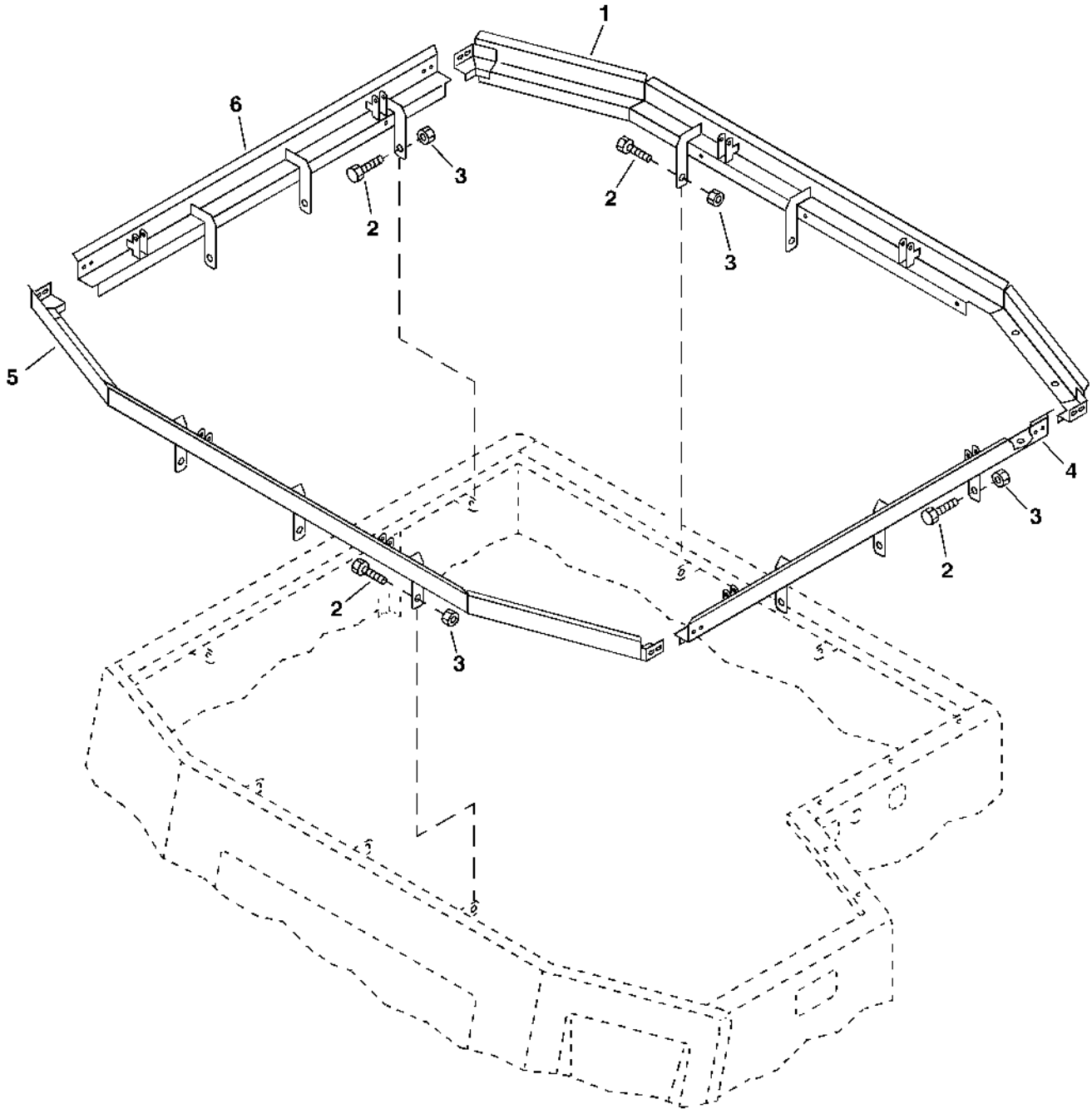
KEY	PART NO.	PART NAME	QTY	SERIAL NO.	REMARKS
1	AH154486	PANEL	2		
2	19M7801	SCREW	8		M8 X 60
3	14M7396	LOCK NUT	8		M8
4	AH156868	PANEL	2		
5	19M7867	SCREW	34		M8 X 25
6	14M7296	FLANGE NUT	34		M10
7	AH154703	PANEL	1		
8	H136015	MAT	1		
9	AH154562	PANEL	1		
10	H165432	COVER	1		
11	19M7867	SCREW	3		
12	H163921	PLATE	1		
13	H163920	SPACER	1		
14	19M7867	SCREW	3		M8 X 25
15	14M7298	FLANGE NUT	3		M8
16	AH156867	PANEL	2		
17	AH154487	PANEL	1		
18	H161088	BRACKET	1		
19	AH121475	SENSOR	1		
20	19M7775	SCREW	2		M6 X 16
21	14M7303	FLANGE NUT	2		M6
22	H64612	CLIP	1		
23	H149066	LABEL	1		

5C13

CLEAN GRAIN ELEVATOR, GRAIN TANK AND UNLOADING AUGER

GRAIN TANK EXTENSION SUPPORT ANGLES

HP6945 -UN-01OCT97



HP6945

5C14

CLEAN GRAIN ELEVATOR, GRAIN TANK AND UNLOADING AUGER

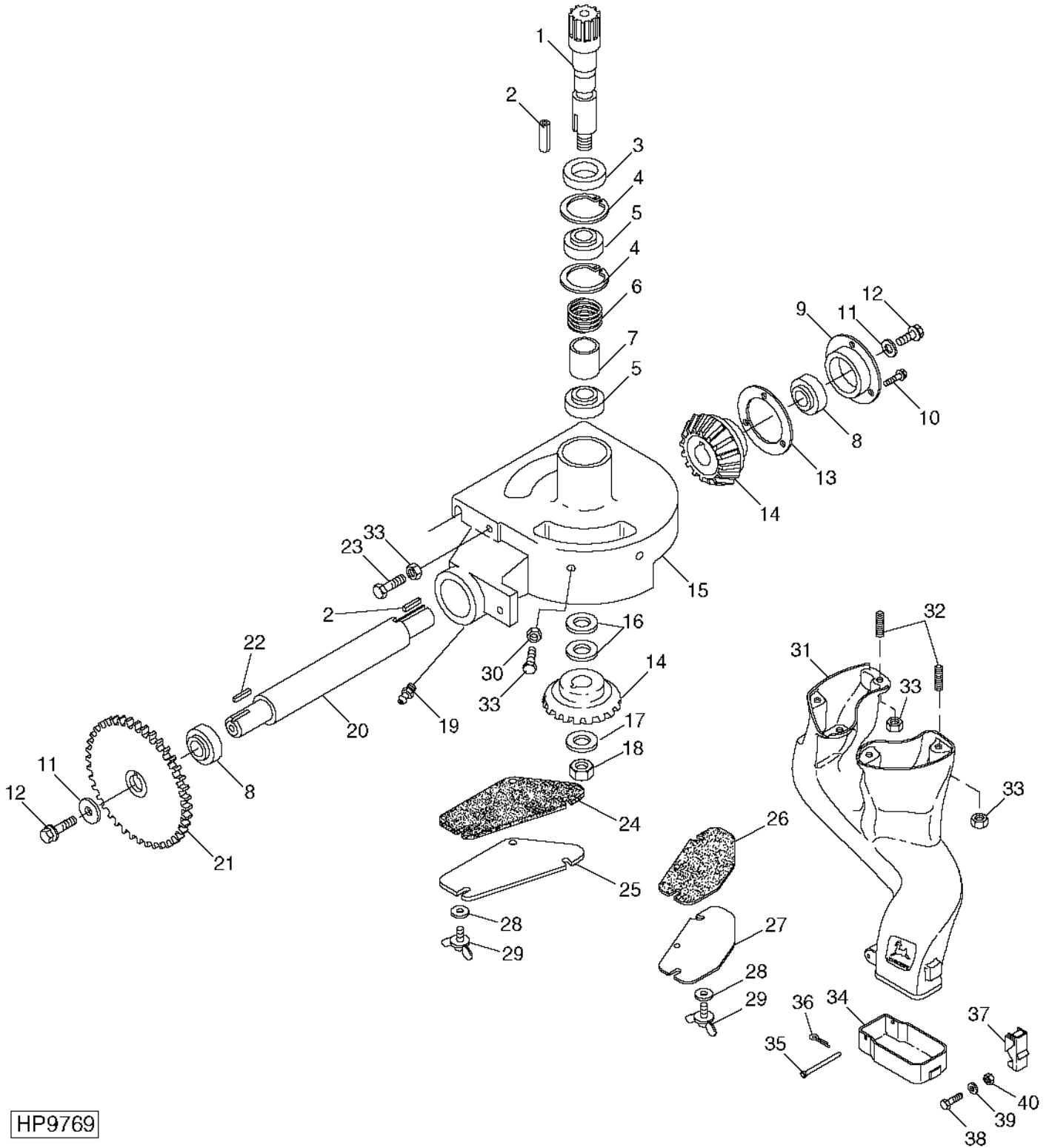
GRAIN TANK EXTENSION SUPPORT ANGLES - CONTINUED

KEY	PART NO.	PART NAME	QTY	SERIAL NO.	REMARKS
1	AH154484	ANGLE	1		
2	19M7867	SCREW	11		M8 X 25
3	14M7298	FLANGE NUT	11		M8
4	AH154483	ANGLE	1		
5	AH154482	ANGLE	1		
6	AH154485	ANGLE	1		

5C15

CLEAN GRAIN ELEVATOR, GRAIN TANK AND UNLOADING AUGER

VERTICAL AUGER LOWER GEAR CASE
HP9769 -UN-23MAY00



HP9769

5C16

CLEAN GRAIN ELEVATOR, GRAIN TANK AND UNLOADING AUGER

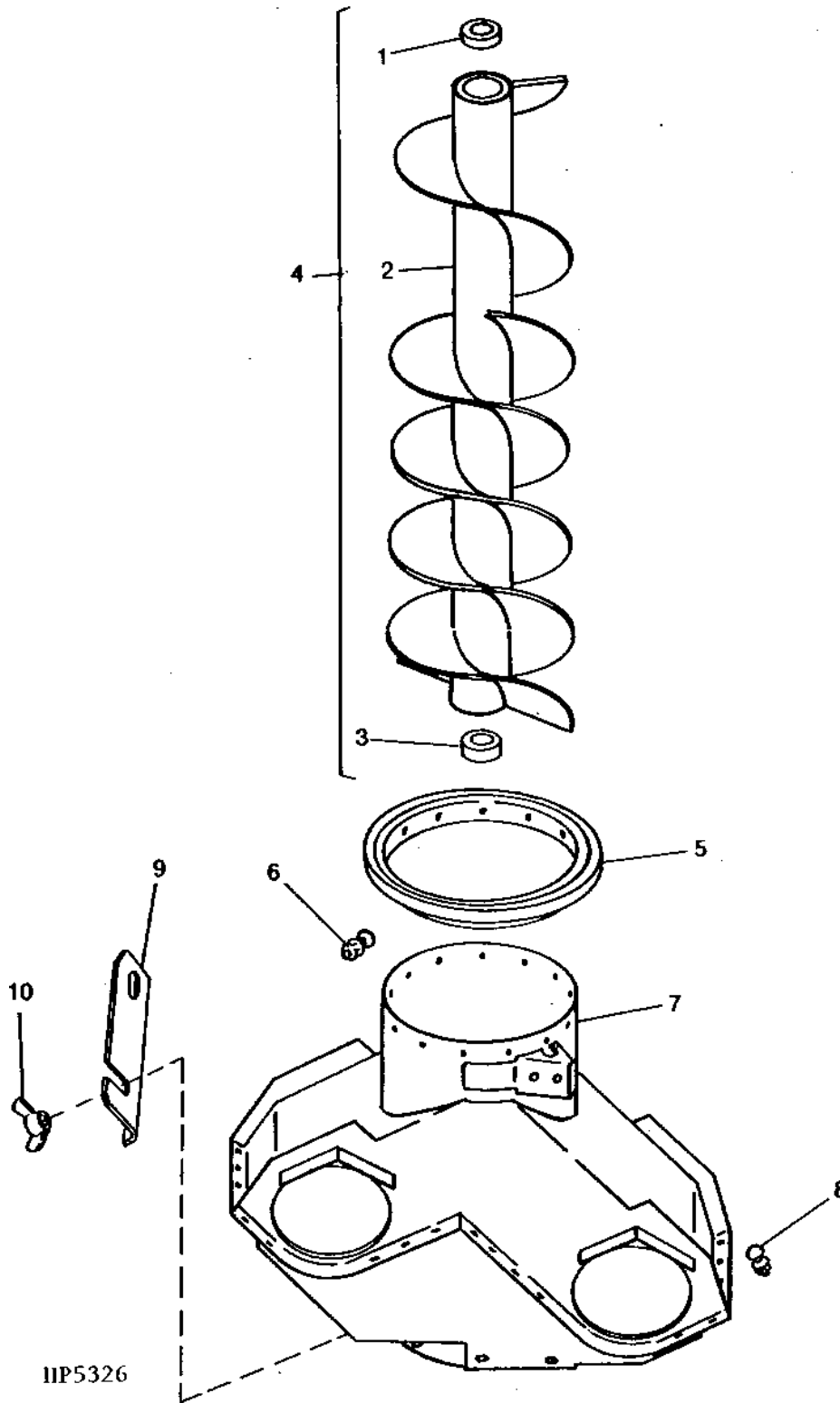
VERTICAL AUGER LOWER GEAR CASE - CONTINUED

KEY	PART NO.	PART NAME	QTY	SERIAL NO.	REMARKS
1	H96169	SHAFT	1		LOWER
2	KEY	2		10 MM X 10 MM X 38 MM (3/8" X 3/8" X 1-1/4") (CUT FROM H64376 IN AH64587 KEY STOCK KIT)
3	AH90963	SEAL	1		
4	N71921	SNAP RING	2		
5	AH96585	BEARING	2		
6	H96267	SPRING	1		
7	H96149	BUSHING	1		
8	JD8524	BEARING	2		
9	H113053	BEARING HOUSING W/O BEARING	1		
10	19M7785	SCREW	3		M10 X 25
11	H129716	WASHER	2		0.669" X 2.283" X 0.315"
12	19M7843	SCREW	2		M16 X 35
13	H96297	SHIM	1		0.254 MM (0.010")
	H96298	SHIM	1		0.508 MM (0.020")
14	H96294	GEAR	2		23 TOOTH
15	H130137	CASE	1		
16	24H1533	SHIM	2		0.018"
17	24H1433	WASHER	1		29/32" X 2-1/4" X 1/4"
18	H29623	LOCK NUT	1		22.225 MM (7/8")
19	JD7759	LUBRICATION FITTING	1		STRAIGHT
20	H129653	SHAFT	1		
21	AH125080	DRIVE SPROCKET	1		46 TOOTH
	AH146352	DRIVE SPROCKET	1		(RICE ONLY) 40 TOOTH
22	KEY	1		10 MM X 10 MM X 38 MM (3/8" X 3/8" X 1-1/2") (CUT FROM H64376 IN AH64587 KEY STOCK)
23	19M7835	SCREW	1		M10 X 35
24	H135192	SEAL	1		FRONT
25	H136572	COVER	1		FRONT
26	H135193	SEAL	1		REAR
27	H136573	COVER	1		REAR
28	24M7178	WASHER	5		10.500 X 30 X 2.500 MM
29	21M7236	WING SCREW	5		M10 X 16
30	19M7786	SCREW	8		M10 X 30
31	AH167433	CHUTE	1		
32	22M7149	SET SCREW	5		M10 X 30
33	14M7296	FLANGE NUT	14		M10
34	H173223	CAP	1		
35	M112271	PIN	1		
36	J16931	SPRING LOCKING PIN	1		
37	AH168300	LATCH	1		
38	21M7284	SCREW	4		M3 X 16
39	24M7029	SHIM	4		
40	14M7196	NUT	4		M3

5C17

CLEAN GRAIN ELEVATOR, GRAIN TANK AND UNLOADING AUGER

VERTICAL UNLOADING AUGER AND CHARGE HOUSING
HP5326 -UN-01JAN94



5C18

CLEAN GRAIN ELEVATOR, GRAIN TANK AND UNLOADING AUGER

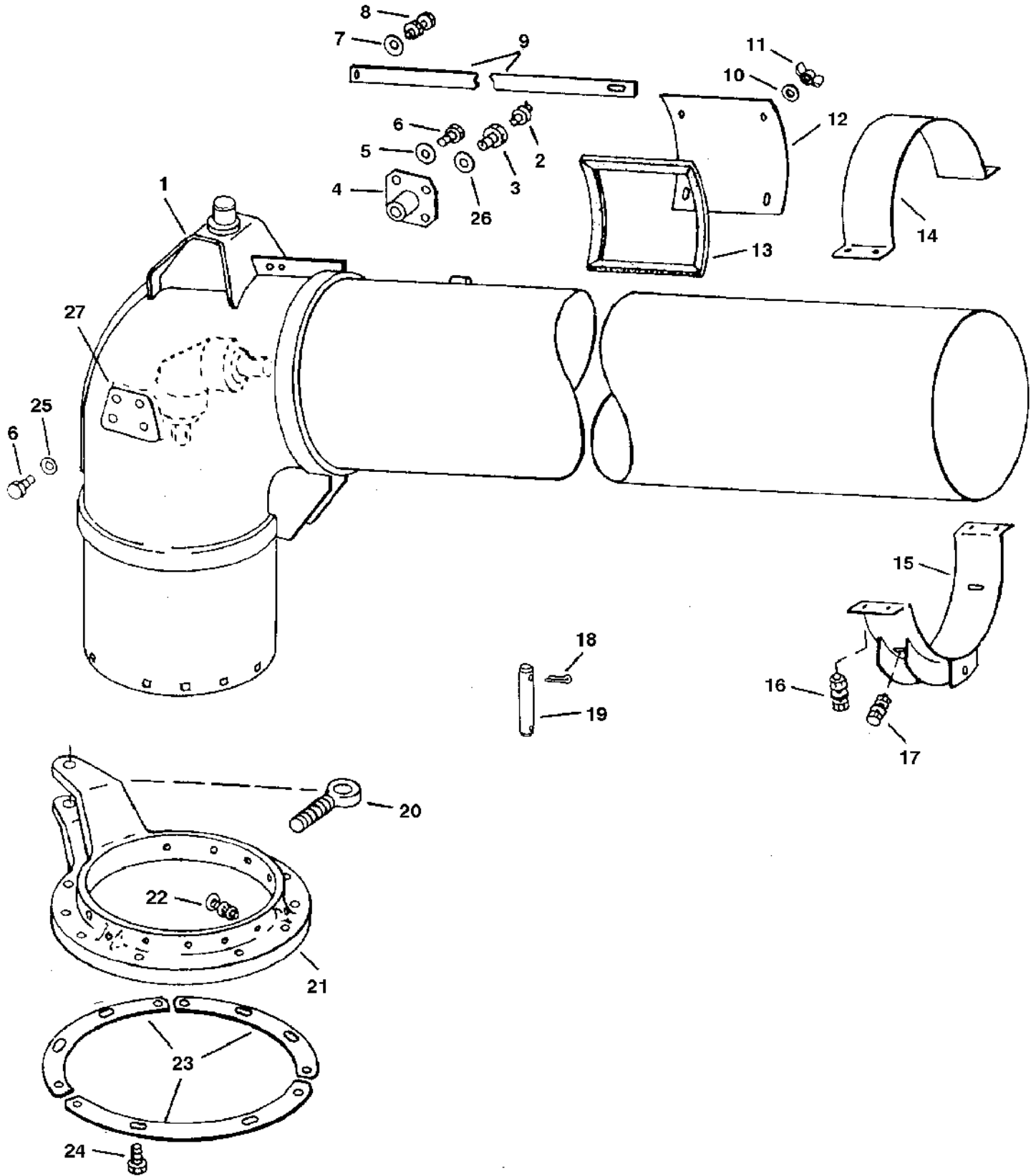
VERTICAL UNLOADING AUGER AND CHARGE HOUSING - CONTINUED

KEY	PART NO.	PART NAME	QTY	SERIAL NO.	REMARKS
1	H128861	SPLINED COUPLING	1		
2	FLIGHT	1		
3	AH124878	EXTERNAL HALF COUPLER	1		
4	AH124852	AUGER	1		REGULAR
	AH140081	FLIGHT	1		STAINLESS STEEL (OPTION)
	AH154962	AUGER	1		HIGH WEAR
5	H146775	RING	1		
6	03M7191	BOLT	12		M10 X 25
	14M7296	FLANGE NUT	12		M10
7	AH155199	HOUSING	1		
8	03M7198	BOLT	30		M12 X 30
	14M7299	FLANGE NUT	30		M12
9	H130771	PLATE	1		
10	14M7020	WING NUT	2		M8
..	WEATHERSTRIP	AR		(USE WITH H130771) (CUT FROM H81330)

5C19

CLEAN GRAIN ELEVATOR, GRAIN TANK AND UNLOADING AUGER

HORIZONTAL UNLOADING AUGER SWIVEL
HP6917 -UN-18AUG97



HP6917

5C20

CLEAN GRAIN ELEVATOR, GRAIN TANK AND UNLOADING AUGER

HORIZONTAL UNLOADING AUGER SWIVEL - CONTINUED

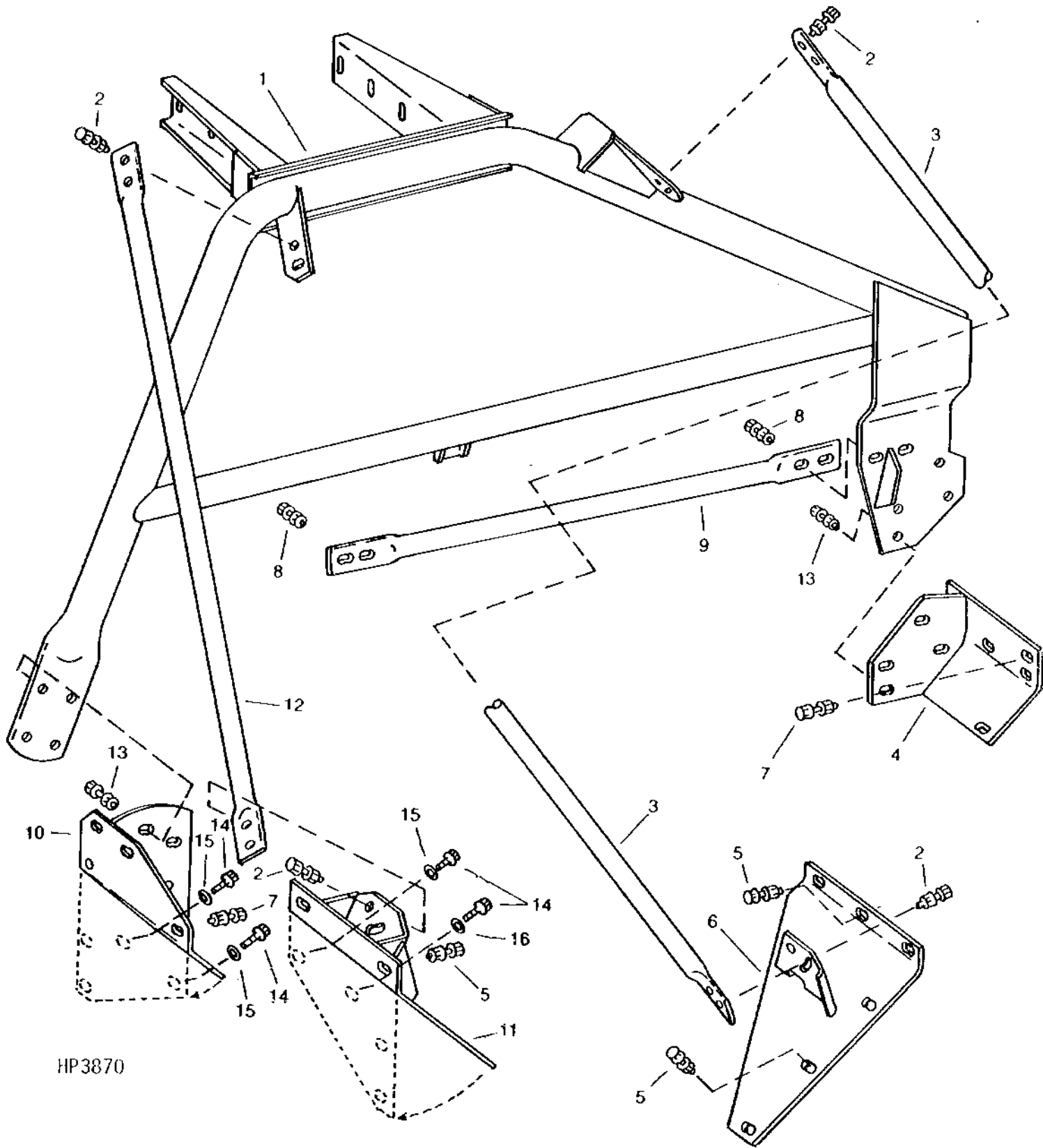
KEY	PART NO.	PART NAME	QTY	SERIAL NO.	REMARKS
1	AH162400	HOUSING	1	(SUB FOR AH145051)	
2	JD7806	LUBRICATION FITTING	1	90 DEGREE	
3	H96228	SCREW	1	15.875 X 63.500 MM	
4	AH123912	SUPPORT	1		
	H96690	SPACER	1	(USE WITH AH123912)	
5	12H304	LOCK WASHER	8	3/8"	
6	19H2676	CAP SCREW	8	3/8" X 1"	
7	24H1305	WASHER	1	13/32" X 13/16" X 0.065"	
8	19H1732	CAP SCREW	1	3/8" X 1-1/4"	
	E55662	FLANGE NUT	1	3/8"	
9	H116351	STRAP	1		
10	24H1224	WASHER	4	11/32" X 1" X 1/16"	
11	14H785	NUT	4	5/16"	
12	H96652	DOOR	1		
13	WEATHERSTRIP	AR	(CUT FROM H81330)	
14	H133178	CLAMP	1		
15	AH136153	STRAP	1		
16	19M7786	SCREW	4	M10 X 30	
	24H1311	WASHER	4	13/32" X 1-1/4" X 0.220"	
	14M7296	FLANGE NUT	4	M10	
17	03M7190	BOLT	2	M10 X 20	
	14M7296	FLANGE NUT	2	M10	
18	11M7038	COTTER PIN	2	6.300 X 40 MM	
19	H138930	PIN	1		
20	H148376	EYEBOLT	1		
21	H137227	RING	1	(SUB FOR H129550)	
22	03M7353	BOLT	12	M12 X 30	
	14M7299	FLANGE NUT	12	M12	
23	H131356	SECTOR	3		
24	19M7784	SCREW	12	M10 X 20	
25	24H1308	WASHER	4	13/32" X 1" X 0.134"	
26	12H294	LOCK WASHER	1	5/8"	
27	H147752	PLATE	1		

5C21

CLEAN GRAIN ELEVATOR, GRAIN TANK AND UNLOADING AUGER

AUGER SWIVEL SUPPORT AND BRACES

HP3870 -UN-01JAN94



HP3870

5C22

CLEAN GRAIN ELEVATOR, GRAIN TANK AND UNLOADING AUGER

AUGER SWIVEL SUPPORT AND BRACES - CONTINUED

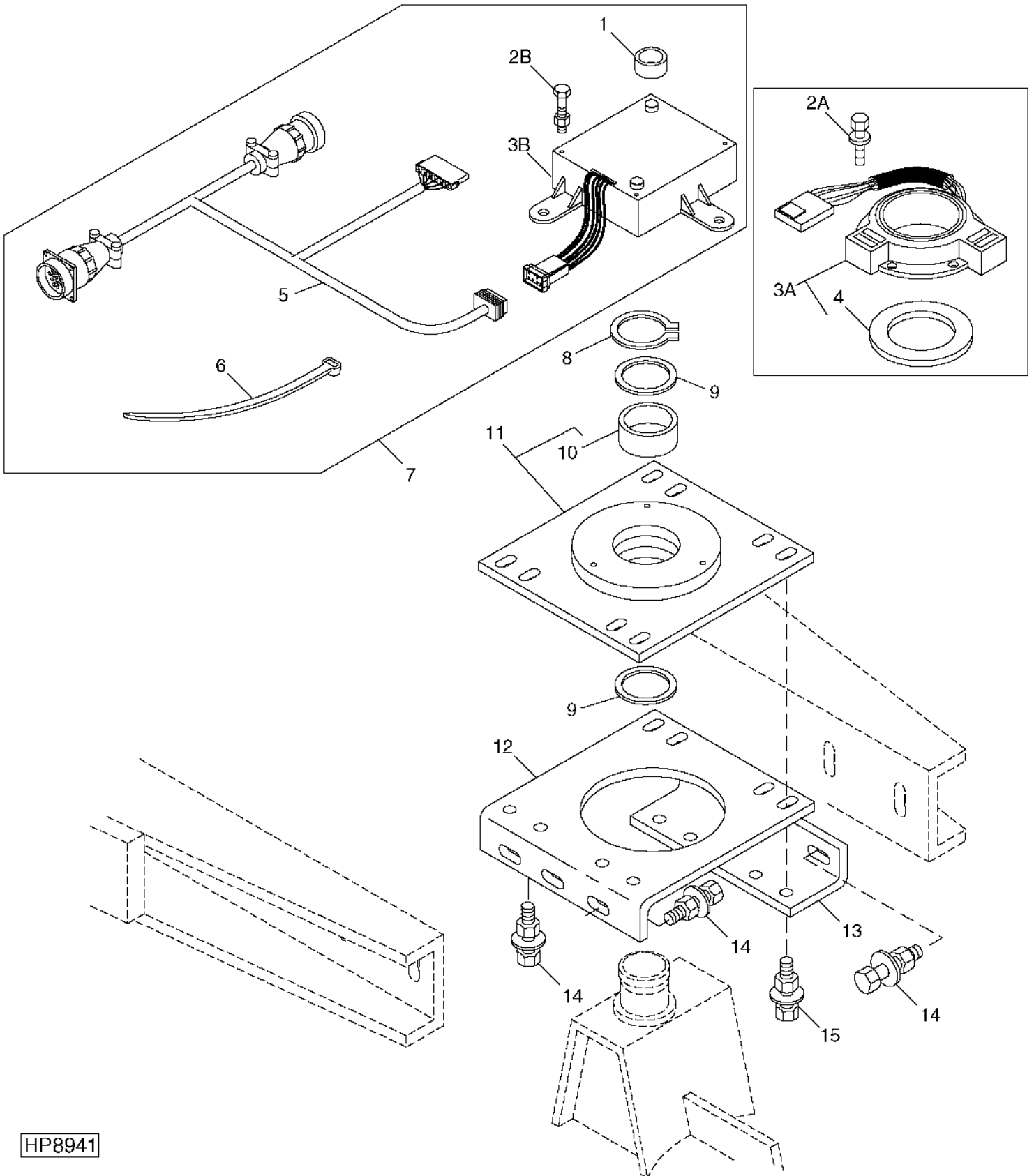
KEY	PART NO.	PART NAME	QTY	SERIAL NO.	REMARKS
1	AH140790	FRAME	1		
2	19M7793	SCREW	12	M16 X 40	
	14M7291	FLANGE NUT	12	M16	
3	H131256	BRACE	1	FRONT	
4	AH126281	ANCHOR	1	LEFT HAND FRONT	
5	19M7789	SCREW	6	M12 X 30	
	14M7299	FLANGE NUT	6	M12	
6	AH126283	ANCHOR	1	RIGHT HAND FRONT	
7	19M7788	SCREW	6	M12 X 25	
	14M7299	FLANGE NUT	6	M12	
8	19M7843	SCREW	4	M16 X 35	
	14M7291	FLANGE NUT	4	M16	
9	H131261	BRACE	1	CHARGE HOUSING	
10	AH126282	ANCHOR	1	LEFT HAND REAR	
11	AH126284	ANCHOR	1	RIGHT HAND REAR	
12	H131259	BRACE	1	REAR	
13	19M7793	SCREW	8	M16 X 40	
	14M7291	FLANGE NUT	8	M16	
14	19M7791	SCREW	4	M12 X 40	
15	24H1347	WASHER	3	17/32" X 2" X 0.194"	
16	24H1380	WASHER	1	11/16" X 1-3/4" X 0.194", R.H. OUTER	

5C23

CLEAN GRAIN ELEVATOR, GRAIN TANK AND UNLOADING AUGER

HORIZONTAL UNLOADING AUGER HUB SUPPORT AND SWITCH

HP8941 -UN-23AUG99



HP8941

5C24

CLEAN GRAIN ELEVATOR, GRAIN TANK AND UNLOADING AUGER

HORIZONTAL UNLOADING AUGER HUB SUPPORT AND SWITCH - CONTINUED

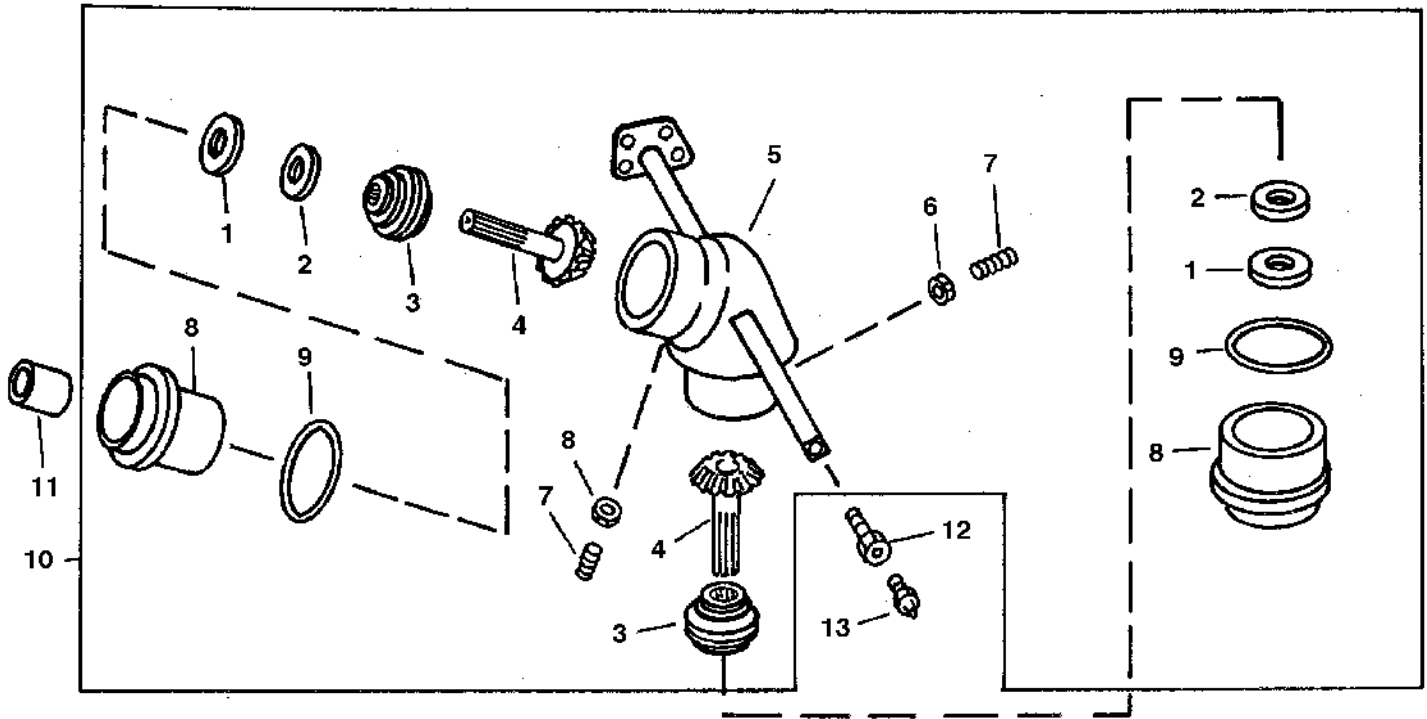
KEY	PART NO.	PART NAME	QTY	SERIAL NO.	REMARKS
1	28H3377	BUSHING	2		10.744 X 17.145 X 44.450 MM, (A)
2A	19M6755	CAP SCREW	3		M6 X 35
	24M7139	WASHER	3		6.400 X 18 X 1.600 MM
2B	19M8402	CAP SCREW	2		M8 X 65, (A)
	14M7298	FLANGE NUT	2		M8, (A)
3A	AH142999	SWITCH	1		(SUB AH163979) (INCLUDES H148702 GASKET)
3B	AH155480	MODULE	1		(A)
4	H148702	GASKET	1		
5	AH156413	WIRING HARNESS	1		(A)
6	R44302	TIE BAND	6		(A)
7	AH163979	KIT	1		(INCLUDES PARTS MARKED (A) AND INSTRUCTIONS H168641)
8	40M7166	SNAP RING	1		
9	H132097	WASHER	2		
10	H128479	BUSHING	1		
11	AH123602	HUB	1		
12	H131263	SUPPORT	1		
13	H131262	ANGLE	1		HUB MOUNTING
14	19M7790	SCREW	10		M12 X 35
	24M7180	WASHER	10		13 X 37 X 3 MM
	14M7299	FLANGE NUT	10		M12
15	19M7791	SCREW	4		M12 X 40
	24M7180	WASHER	4		13 X 37 X 3 MM
	14M7299	FLANGE NUT	4		M12

5C25

CLEAN GRAIN ELEVATOR, GRAIN TANK AND UNLOADING AUGER

HORIZONTAL UNLOADING AUGER DRIVE GEAR CASE

HP6919 -UN-18AUG97



HP6919

KEY	PART NO.	PART NAME	QTY	SERIAL NO.	REMARKS
1	AH98118	SEAL	2		
2	H99613	WASHER	2	1.248" X 1-3/4" X 3/8"	
3	AH94661	BEARING	2		(USE WITH H99613) (SUB DE18970) INCLUDES TWO CONES, TWO CUPS AND TWO SPACERS
	DE18970	BEARING	2		
4	H149869	GEAR	2	18 TEETH	
5	H149793	GEAR CASE	1		HOUSING ONLY(LESS GEARS)
6	14H732	NUT	4	3/8"	
7	22H845	SET SCREW	4	3/8" X 3/4"	
8	H96345	BEARING HOUSING W/O BEARING	2		
9	SHIM	2		(SUB AH139072)
10	AH124509	GEAR CASE	1		(SUB AH164609)
	AH164609	GEAR CASE	1		
11	N72989	BUSHING	1	1-17/64" X 1-5/8" X 1.120"	
12	H96228	SCREW	1	5/8" X 2-1/2"	
	12H294	LOCK WASHER	1	5/8"	
13	JD7797	LUBRICATION FITTING	1	STRAIGHT, 1/4"	

MEMORANDA

THIS PARTS LISTING IS CONTINUED

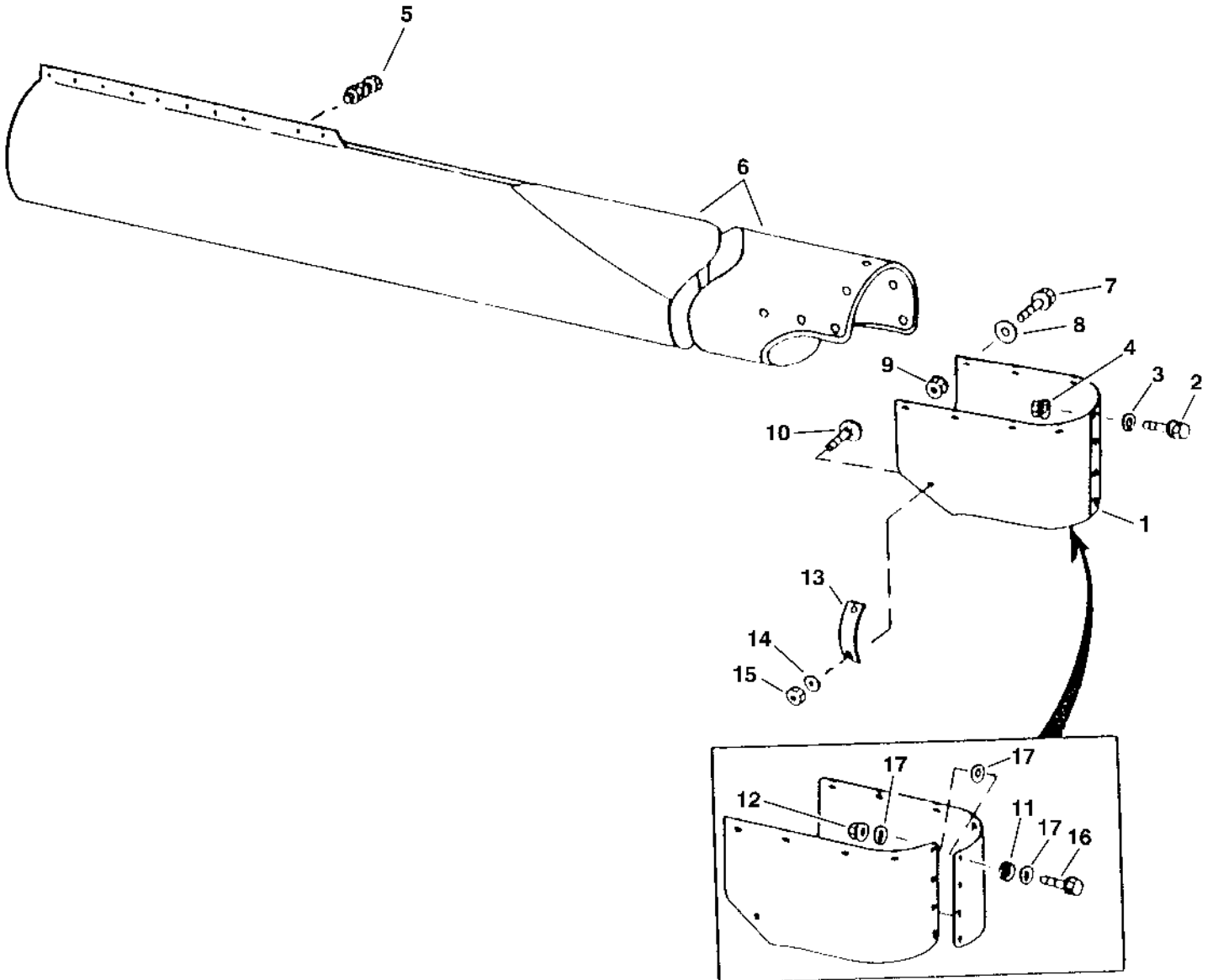
5D1

CLEAN GRAIN ELEVATOR, GRAIN TANK AND UNLOADING AUGER

HORIZONTAL UNLOADING AUGER HOUSING

(14 FT. AND 17 FT.)

HP6616 -UN-29JAN97



HP6616

5D2

CLEAN GRAIN ELEVATOR, GRAIN TANK AND UNLOADING AUGER

HORIZONTAL UNLOADING AUGER HOUSING - CONTINUED (14 FT. AND 17 FT.)

KEY	PART NO.	PART NAME	QTY	SERIAL NO.	REMARKS
1	H149780	SPOUT	1		
2	19M7867	SCREW	4	M8 X 25	
3	24H1291	WASHER	8	21/64" X 1-15/32" X 7/64"	
4	14M7298	FLANGE NUT	4	M8	
5	19M7868	SCREW	11	M8 X 30	
	14M7396	LOCK NUT	11	M8	
6	AH145049	HOUSING	1		
7	19M7867	SCREW	8	M8 X 25	
8	24M7207	WASHER	8	8.400 X 24 X 2 MM	
9	14M7298	FLANGE NUT	8	M8	
10	03M7184	BOLT	2	M8 X 20	
11	28H5	WASHER	3	0.269" X 0.405" X 1/4"	
12	14M7303	FLANGE NUT	3	M6	
13	H141450	STRAP	1		
14	24H1291	WASHER	4	21/64" X 1-15/32" X 7/64"	
15	14M7298	FLANGE NUT	2	M8	
16	19M7863	SCREW	3	M6 X 25	
	19M7796	SCREW	3	M6 X 30	
17	24H1291	WASHER	9	21/64" X 1-15/32" X 7/64"	

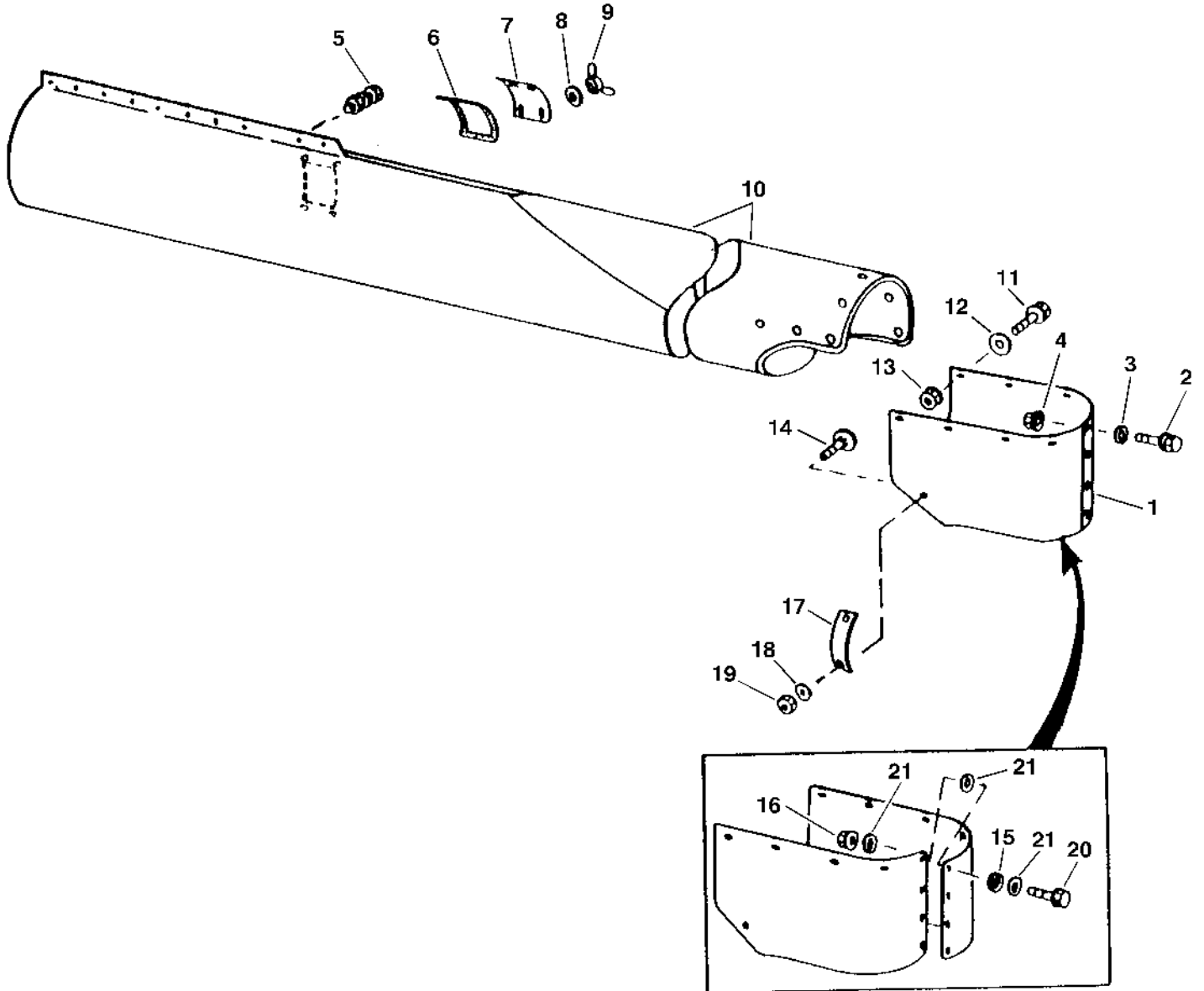
5D3

CLEAN GRAIN ELEVATOR, GRAIN TANK AND UNLOADING AUGER

HORIZONTAL UNLOADING AUGER HOUSING

(17 AND 20 FT.)

HP7178 -UN-09OCT97



HP7178

5D4

CLEAN GRAIN ELEVATOR, GRAIN TANK AND UNLOADING AUGER

HORIZONTAL UNLOADING AUGER HOUSING - CONTINUED (17 AND 20 FT.)

KEY	PART NO.	PART NAME	QTY	SERIAL NO.	REMARKS
1	H149780	SPOUT	1		USE WITH 17FT AND 20FT AUGERS
2	19M7867	SCREW	4		M8 X 25
3	24H1291	WASHER	8		21/64" X 1-15/32" X 7/64"
4	14M7298	FLANGE NUT	4		M8
5	19M7868	SCREW	7		M8 X 30
	14M7298	FLANGE NUT	7		M8
6	H81330	ISOLATOR	1		
7	H96652	DOOR	1		
8	24H1224	WASHER	4		11/32" X 1" X 1/16"
9	14H819	WING NUT	4		5/16"
10	AH140334	HOUSING	1		(17FT. AUGER) (PERFORATED, 3670MM LONG)
	AH140335	HOUSING	1		(17 FT. AUGER) (PERFORATED, 3670MM LONG)
	AH145050	HOUSING	1		(20 FT. AUGER)(SOLID, 4585MM LONG)
	AH113392	HOUSING	1		(20 FT. AUGER) (PERFORATED, 4585MM LONG)
11	19M7867	SCREW	8		M8 X 25
12	24M7207	WASHER	8		8.400 X 24 X 2 MM (0.331" X 0.945" X 0.079")
13	14M7298	FLANGE NUT	8		M8
14	03M7184	BOLT	2		M8 X 20
15	28H5	WASHER	3		0.269" X 0.405" X 1/4"
16	14M7303	FLANGE NUT	3		M6
17	H141450	STRAP	1		
18	24H1291	WASHER	4		21/64" X 1-15/32" X 7/64"
19	14M7298	FLANGE NUT	2		M8
20	19M7863	SCREW	3		M6 X 25
21	24H1291	WASHER	9		21/64" X 1-15/32" X 7/64"

5D5

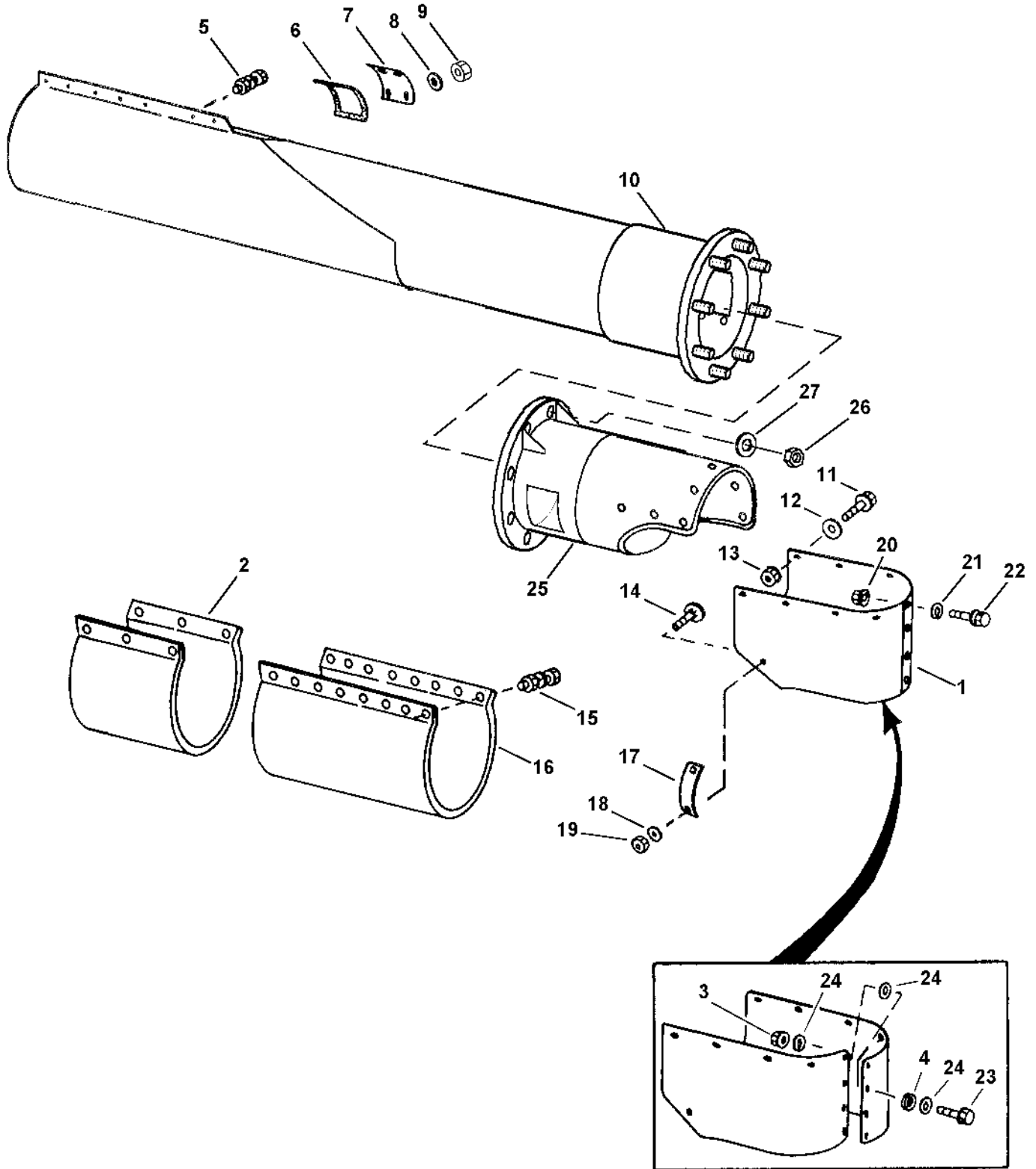
CLEAN GRAIN ELEVATOR, GRAIN TANK AND UNLOADING AUGER

HORIZONTAL UNLOADING AUGER HOUSING (EXPORT)

(17 AND 20 FT.)

HP7526

-UN-04MAY98



HP7526

5D6

CLEAN GRAIN ELEVATOR, GRAIN TANK AND UNLOADING AUGER

HORIZONTAL UNLOADING AUGER HOUSING - CONTINUED (17 AND 20 FT.)

KEY	PART NO.	PART NAME	QTY	SERIAL NO.	REMARKS
1	H149780	SPOUT	1		USE WITH 17FT AND 20FT AUGERS
2	H159784	COVER	1		UNLOADING AUGER
3	14M7303	FLANGE NUT	3		M6
4	24H1291	WASHER	9		21/64" X 1-15/32" X 7/64"
5	19M7868	SCREW	11		M8 X 30
	14M7396	LOCK NUT	11		M8
6	WEATHERSTRIP	1		CUT FROM H81330 (USE WITH THE 20FT AUGER)
7	H96652	DOOR	2		USE WITH THE 20FT AUGER
8	24M7207	WASHER	8		8.400 X 24 X 2 MM, USE WITH THE 20FT AUGER
9	14H785	NUT	8		5/16", USE WITH THE 20FT AUGER
10	AH151408	HOUSING	1		5.2M PERFORATED, INNER
	AH151407	HOUSING	1		INNER
11	19M7867	SCREW	8		M8 X 25
12	24M7207	WASHER	8		8.400 X 24 X 2 MM
13	14M7298	FLANGE NUT	8		M8
14	03M7184	BOLT	2		M8 X 20
15	19M7897	SCREW	10		M8 X 35
	14M7298	FLANGE NUT	10		M8
16	H127998	COVER	1		(17FT. AUGER) USE WITH PERFORATED AUGER HOUSING
	H100027	COVER	1		(20FT. AUGER) USE WITH PERFORATED AUGER HOUSING
17	H141450	STRAP	1		
18	24H1291	WASHER	4		21/64" X 1-15/32" X 7/64"
19	14M7298	FLANGE NUT	2		M8
20	14M7298	FLANGE NUT	1		M8
21	24H1291	WASHER	1		21/64" X 1-15/32" X 7/64"
22	19M7867	SCREW	2		M8 X 25
23	19M7863	SCREW	3		M6 X 25
	19M7796	SCREW	3		M6 X 30
24	28H5	WASHER	3		0.269" X 0.405" X 1/4"
25	AH151410	HOUSING	1		5.2M RIGID, OUTER
	AH151407	HOUSING	1		5.2M PERFORATED, OUTER
	AH151411	HOUSING	1		6.1M RIGID, OUTER
26	14M7296	FLANGE NUT	8		M10
27	24M7207	WASHER	8		8.400 X 24 X 2 MM

5D7

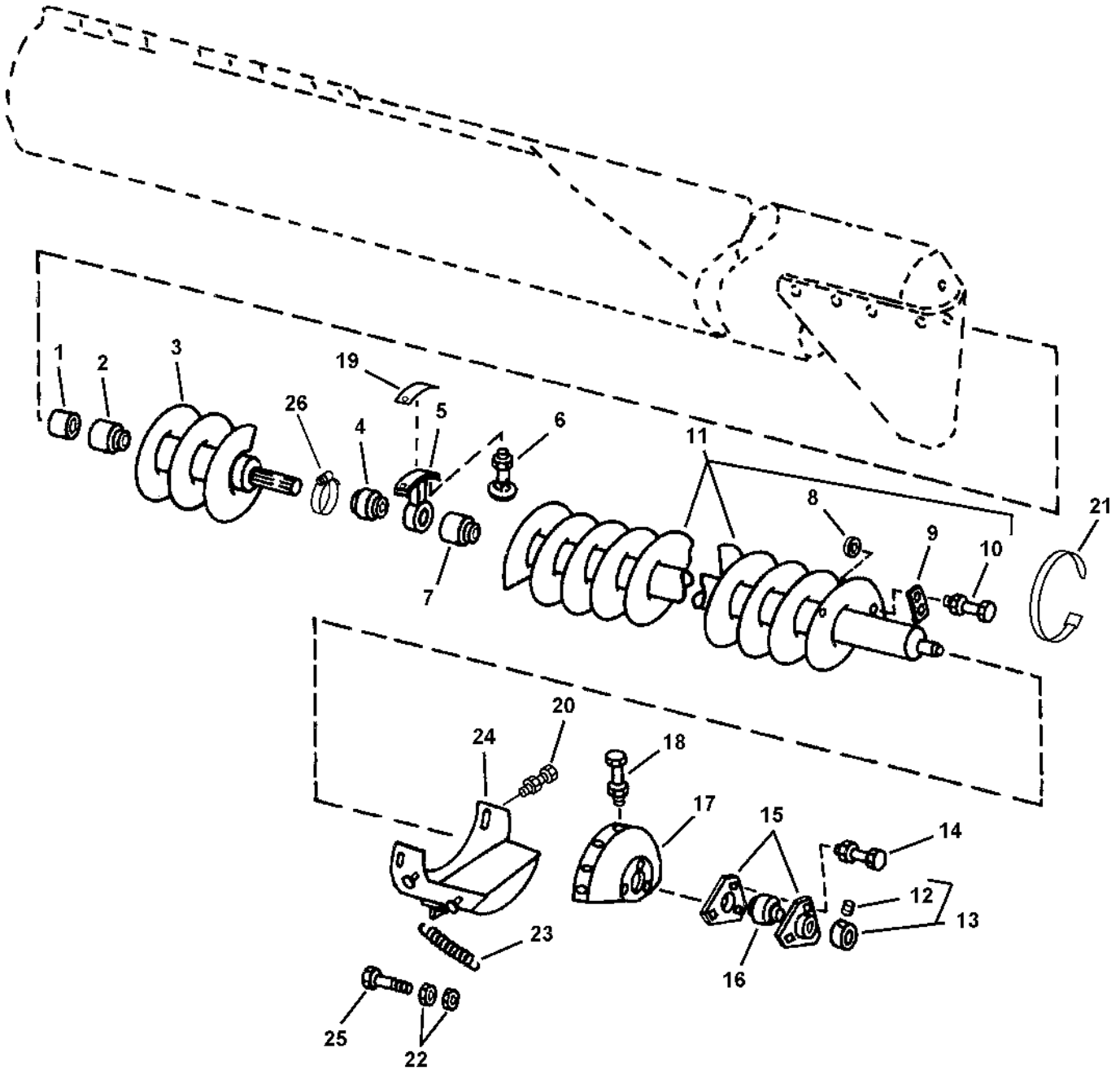
CLEAN GRAIN ELEVATOR, GRAIN TANK AND UNLOADING AUGER

HORIZONTAL UNLOADING AUGER

(17- AND 20-FT.)

HP7527

-UN-04MAY98



HP7527

5D8

CLEAN GRAIN ELEVATOR, GRAIN TANK AND UNLOADING AUGER

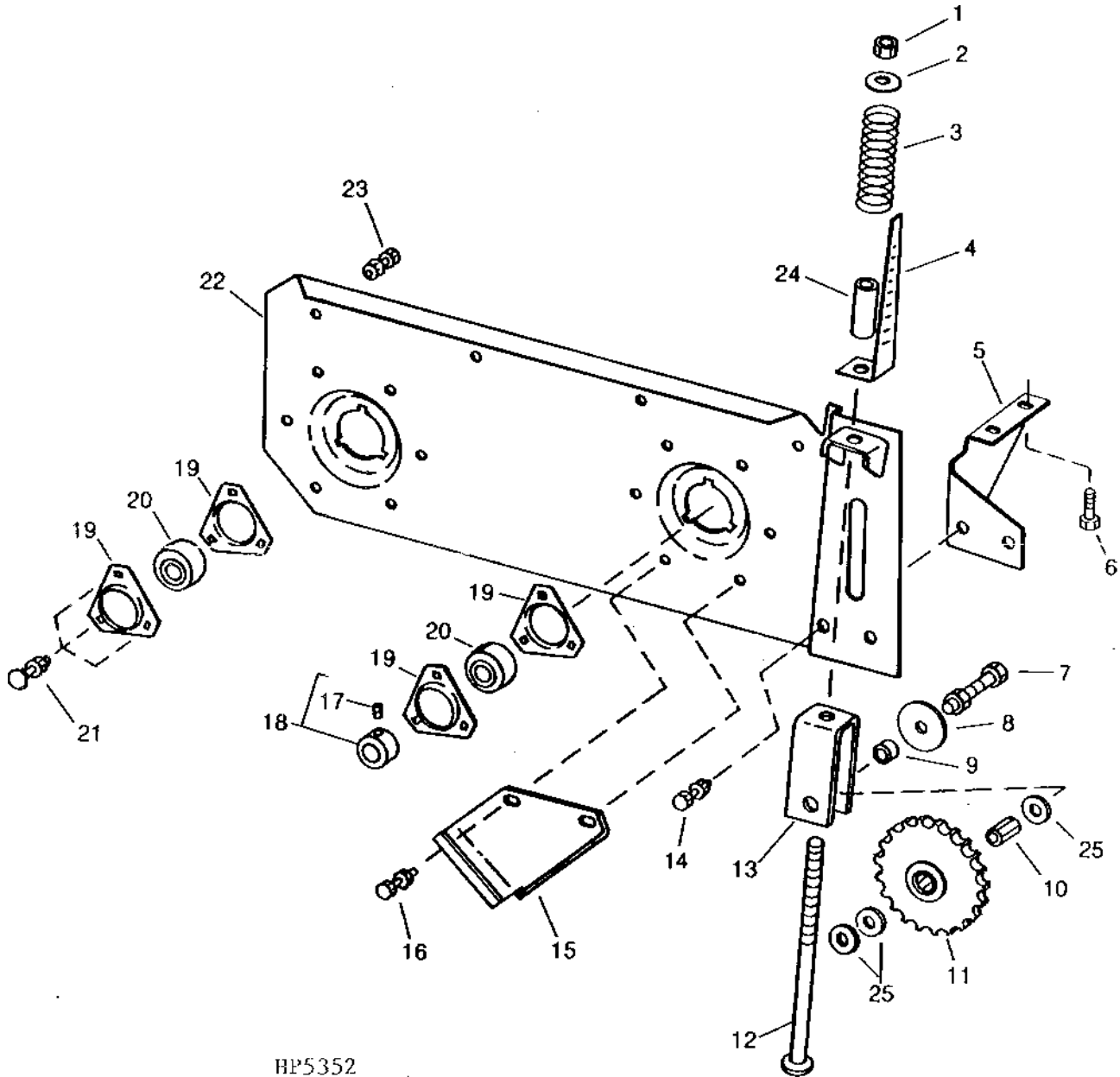
HORIZONTAL UNLOADING AUGER - CONTINUED (17- AND 20- FT.)

KEY	PART NO.	PART NAME	QTY	SERIAL NO.	REMARKS
1	N72989	BUSHING	1		
2	AH122717	GUDGEON	1		USED ON 5.2M AND 6.1 AUGER
3	AH112435	AUGER	1		(5-1/2 FT.) PLUS 14 FT. EQUALS 20 FT. OR 11-1/2 FT TO EQUAL 17 FT.
	AH151413	AUGER	1		5.2M, OUTER (EXPORT ONLY)
	AH151414	AUGER	1		6.1M, OUTER (EXPORT ONLY)
4	JD9373	BALL BEARING	1		
5	H114873	HOUSING	1		
6	03M7193	BOLT	2		M10 X 35, USED ON 5.2M AND 6.1M
	14M7296	FLANGE NUT	2		M10
7	AH122717	GUDGEON	1		
8	24H1300	WASHER	AR		25/64" X 2" X 0.220"
	24H1311	WASHER	AR		13/32" X 1-1/4" X 0.220"
9	H119566	STRIP	AR		100 MM (4") LONG
	H119567	STRIP	AR		125 MM (5") LONG
	H119568	STRIP	AR		150 MM (6") LONG
10	03H1495	BOLT	AR		3/8" X 1-1/2"
	03H1557	BOLT	AR		3/8" X 1-1/4"
	K40003	LOCK NUT	AR		
11	AH143731	AUGER	1		(14 FT.) PLUS 5 1/2 FT. TO EQUAL 20 FT.
	AH143727	AUGER	1		(17 FT)
	AH151403	AUGER	1		5.2M AND 6.1M (EXPORT ONLY)
12	22H897	SET SCREW	1		1/4" X 1/4"
13	JD8554	ECCENTRIC LOCKING COLLAR	1		
14	03M7184	BOLT	3		M8 X 20
	14M7298	FLANGE NUT	3		M8
15	H103264	PRESSED FLANGED HOUSING	2		
16	JD8665	BALL BEARING	1		
17	H96645	CAP	1		
18	19M7866	SCREW	5		M8 X 20
	14M7298	FLANGE NUT	5		M8
19	H158817	PLATE	1		SPACER (EXPORT ONLY)
20	03M7183	BOLT	2		M8 X 16, (INCLUDES Z24604)
	14M7298	FLANGE NUT	2		M8
21	N189220	TIE BAND	1		(USE WITH AH132230)
22	14M7298	FLANGE NUT	2		M8
23	J18468	SPRING	2		
24	AH132230	DOOR	1		(INCLUDES Z24604)
	Z24604	HINGE	1		(USE WITH AH132230)
25	19M7868	SCREW	1		M8 X 30
26	AR21839	CLAMP	1		

5D9

CLEAN GRAIN ELEVATOR, GRAIN TANK AND UNLOADING AUGER

CROSS AUGER BEARING PLATE - LEFT-HAND
HP5352 -UN-01JAN94



HP5352

5D10

CLEAN GRAIN ELEVATOR, GRAIN TANK AND UNLOADING AUGER

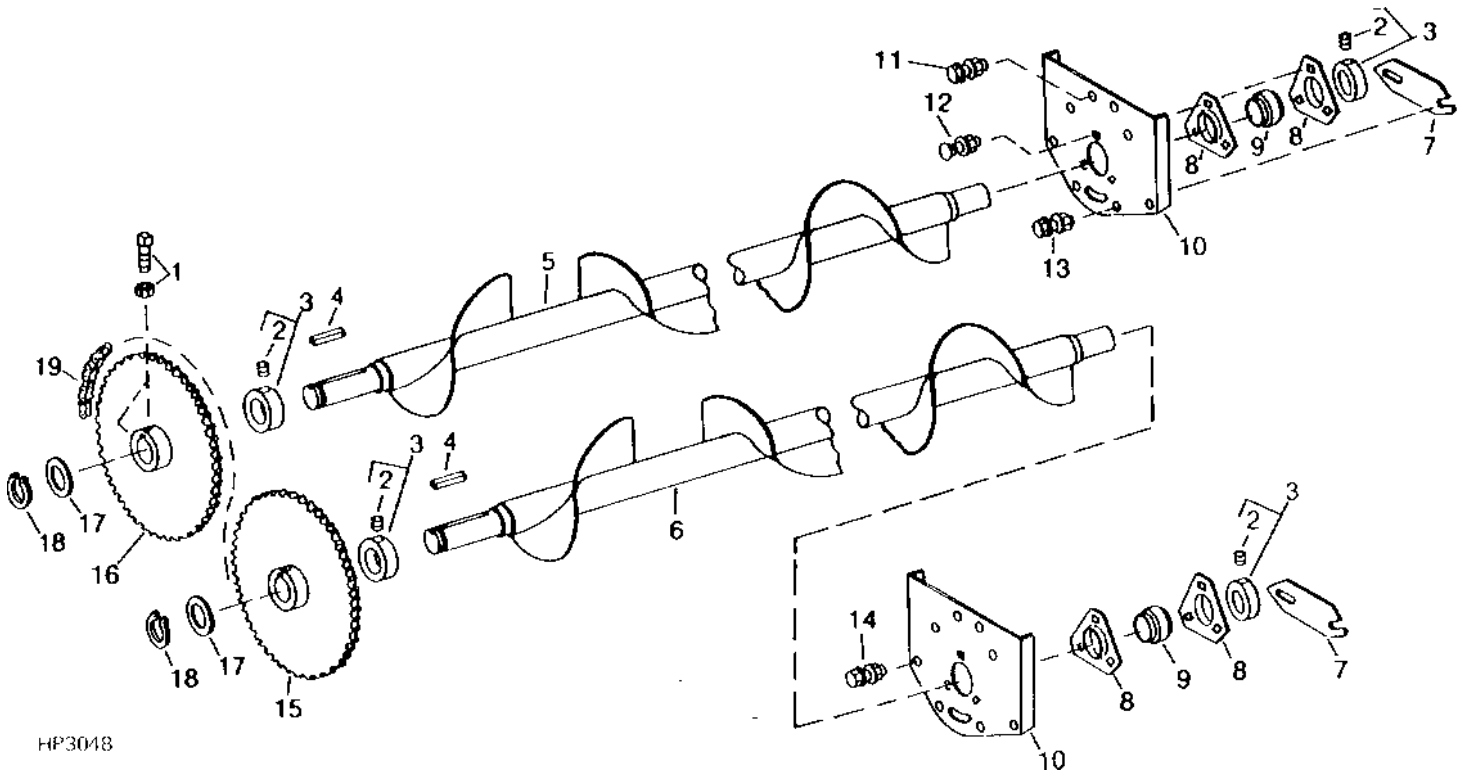
CROSS AUGER BEARING PLATE, LEFT-HAND - CONTINUED

KEY	PART NO.	PART NAME	QTY	SERIAL NO.	REMARKS
1	14M7275	NUT	2	M12	
2	24H1346	WASHER	1	13.487 X 44.450 X 3.048 MM	
3	R35542	SPRING	1		
4	H127923	GAUGE	1		
5	H127922	REINFORCEMENT	1		
6	19M7784	SCREW	2	M10 X 20	
7	19M7364	CAP SCREW	1	M12 X 80	
	14M7299	FLANGE NUT	1	M12	
8	24H1916	WASHER	1	13.487 X 88.900 X 4.572 MM (17/32" X 3-1/2" X 0.180")	
9	A22724	WASHER	1	0.510" X 3/4" X 0.210"	
10	H114395	SPACER	1		
11	AH106606	CHAIN SPROCKET	1	24-TOOTH (INCLUDES (1) JD7126 BALL BEARING	
	JD7126	BALL BEARING	1		
12	H119997	BOLT	1	M12 X 290, (SUB H163787)	
	H163787	BOLT	1		
13	H119996	CHANNEL	1	IDLER SUPPORT	
14	19M7866	SCREW	2	M8 X 20	
	14M7298	FLANGE NUT	2	M8	
15	H133579	STOP	1		
16	19M7866	SCREW	4	M8 X 20	
	14M7396	LOCK NUT	4	M8	
17	22M7081	SET SCREW	2	M10 X 10	
18	AH133191	ECCENTRIC LOCKING COLLAR	2		
19	H161529	PRESSED FLANGED HOUSING	4	(SUB FOR H103265, THIS APPLICATION)	
20	JD39104	BALL BEARING	2		
	AH139296	BALL BEARING	2		
21	03M7191	BOLT	6	M10 X 25	
	14M7296	FLANGE NUT	6	M10	
22	AH141201	SUPPORT	1		
23	19M7784	SCREW	12	M10 X 20	
	14M7296	FLANGE NUT	12	M10	
24	TY22326	BULK HOSE	AR	CUT TO 70MM LONG	
25	24M7242	WASHER	3	21.400 X 42 X 5 MM	

5D11

CLEAN GRAIN ELEVATOR, GRAIN TANK AND UNLOADING AUGER

GRAIN TANK CROSS AUGERS
HP3048 -UN-01JAN94



HP3048

5D12

CLEAN GRAIN ELEVATOR, GRAIN TANK AND UNLOADING AUGER

GRAIN TANK CROSS AUGERS - CONTINUED

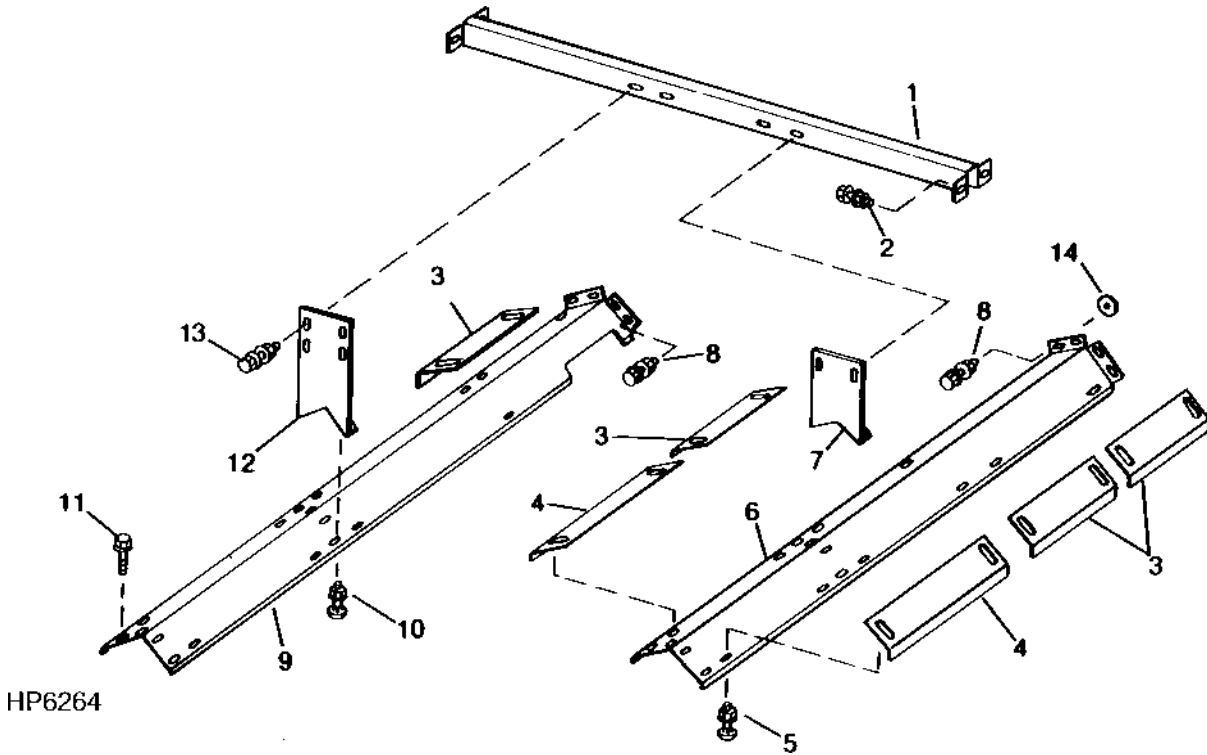
KEY	PART NO.	PART NAME	QTY	SERIAL NO.	REMARKS
1	H138435	SET SCREW	4		
	14M7152	NUT	4	M10	
2	22M7081	SET SCREW	4	M10 X 10	
3	AH133191	ECCENTRIC LOCKING COLLAR	4		
4	SHAFT KEY	2	10 X 8 X 40 MM (IN AH141142 KEY STOCK KIT) (CUT FROM H150270)	
5	AH167847	AUGER	1		(SUB FOR AH154965) FRONT-HEAVY DUTY
6	AH167848	AUGER	1		(SUB FOR AH154966) REAR-HEAVY DUTY
7	H102909	COVER	2		
8	H161529	PRESSED FLANGED HOUSING	4		
9	JD39104	BALL BEARING	2		
	AH139296	BALL BEARING	2		
10	H126280	REINFORCEMENT	2		BEARING PLATE - R.H.
11	19M7784	SCREW	8	M10 X 20	
	14M7296	FLANGE NUT	8	M10	
12	03M7190	BOLT	3	M10 X 20	
	14M7296	FLANGE NUT	3	M10	
13	19M7866	SCREW	4	M8 X 20	
	14M7396	LOCK NUT	4	M8	
14	19M7866	SCREW	4	M8 X 20	
	14M7298	FLANGE NUT	4	M8	
15	AH125070	CHAIN SPROCKET	1		49-TOOTH (REAR), REGULAR
	AH140001	CHAIN SPROCKET	1		60-TOOTH (REAR), SLOW DOWN
16	AH140001	CHAIN SPROCKET	1		60-TOOTH, (FRONT), SLOW DOWN
	AH125070	CHAIN SPROCKET	1		49-TOOTH, (REAR), REGULAR
17	24H1511	WASHER	AR		1-13/32" X 1-3/4" X 0.060"
18	40M7046	SNAP RING	1		
19	AH126837	LINK CHAIN	1		ROLLER, TYPE 60H - 19 MM (3/4") PITCH, 198 LINKS (REGULAR SPEED)
	AH146359	LINK CHAIN	1		ROLLER, TYPE 60H - 19MM (3/4") PITCH, 204 LINKS (SLOW DOWN SPEED)

5D13

CLEAN GRAIN ELEVATOR, GRAIN TANK AND UNLOADING AUGER

CROSS AUGER COVERS AND CHANNEL

HP6264 -UN-23JAN96



KEY	PART NO.	PART NAME	QTY	SERIAL NO.	REMARKS
1	H126801	CHANNEL	1		
2	19M7784	SCREW	4	M10 X 20	
	14M7296	FLANGE NUT	4	M10	
3	H129472	COVER	6	SMALL ADJUSTABLE	
4	H129471	COVER	4	LARGE ADJUSTABLE	
5	03M7183	BOLT	20	M8 X 16	
	14M7298	FLANGE NUT	20	M8	
6	H129465	COVER	1	REAR	
7	H126802	SUPPORT	1	REAR COVER	
8	19M7784	SCREW	8	M10 X 20	
	14M7296	FLANGE NUT	8	M10	
9	H129464	COVER	1	FRONT	
10	03M7183	BOLT	8	M8 X 16	
	14M7298	FLANGE NUT	8	M8	
11	37M7058	SCREW	8	M8 X 20, (THREAD ROLLING)	
12	H126804	SUPPORT	1	FRONT COVER	
13	19M7865	SCREW	4	M8 X 16	
	14M7298	FLANGE NUT	4	M8	
14	H141123	NUT	8		
..	BH81165	COMPLETE GOODS/SHIP. BUNDLE	1	COVER - AUGER ADJ.	

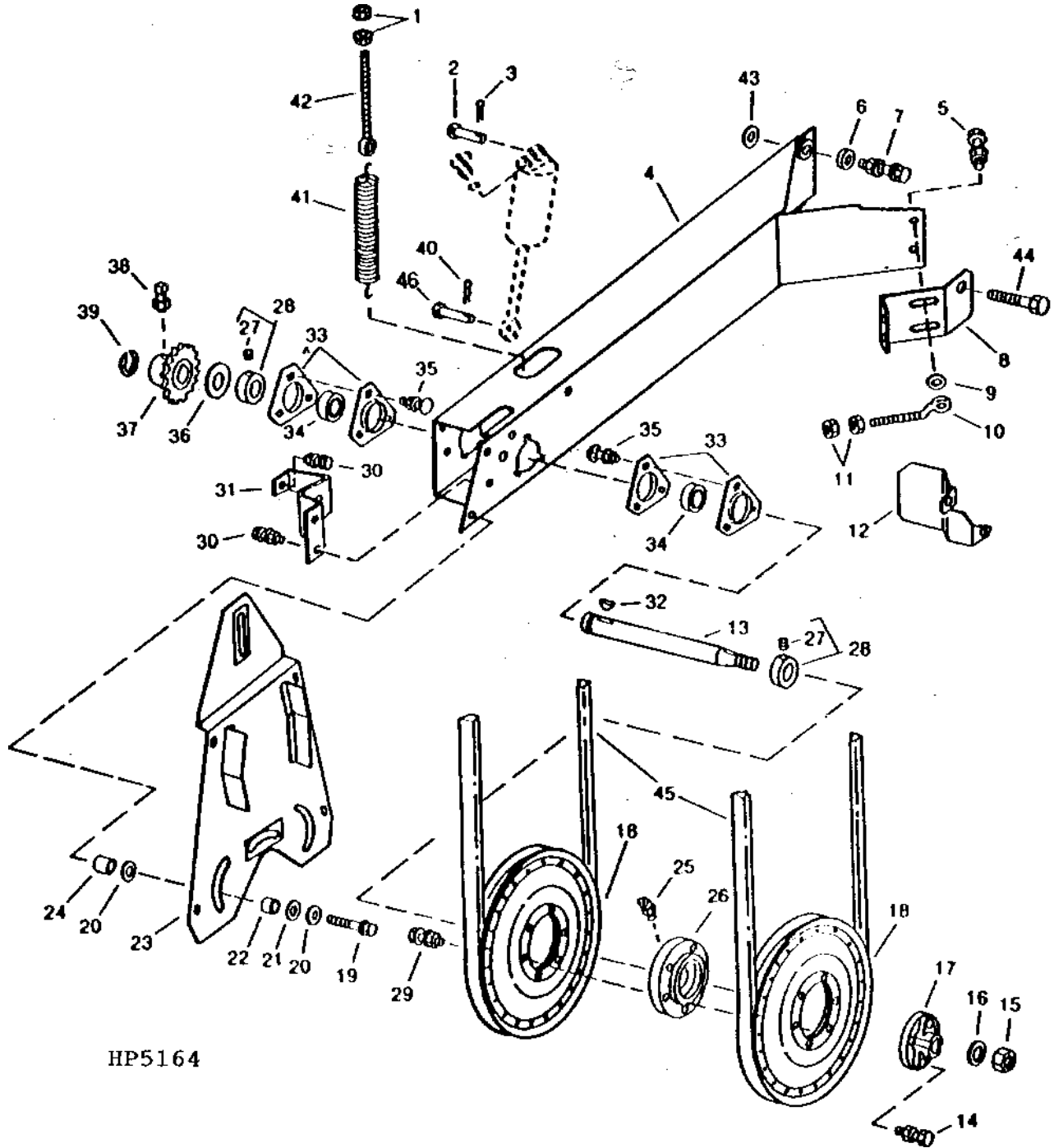
MEMORANDA

5D14

CLEAN GRAIN ELEVATOR, GRAIN TANK AND UNLOADING AUGER

UNLOADING AUGER COUNTERSHAFT DRIVE

HP5164 -UN-01JAN94



HP5164

5D15

CLEAN GRAIN ELEVATOR, GRAIN TANK AND UNLOADING AUGER

UNLOADING AUGER COUNTERSHAFT DRIVE - CONTINUED

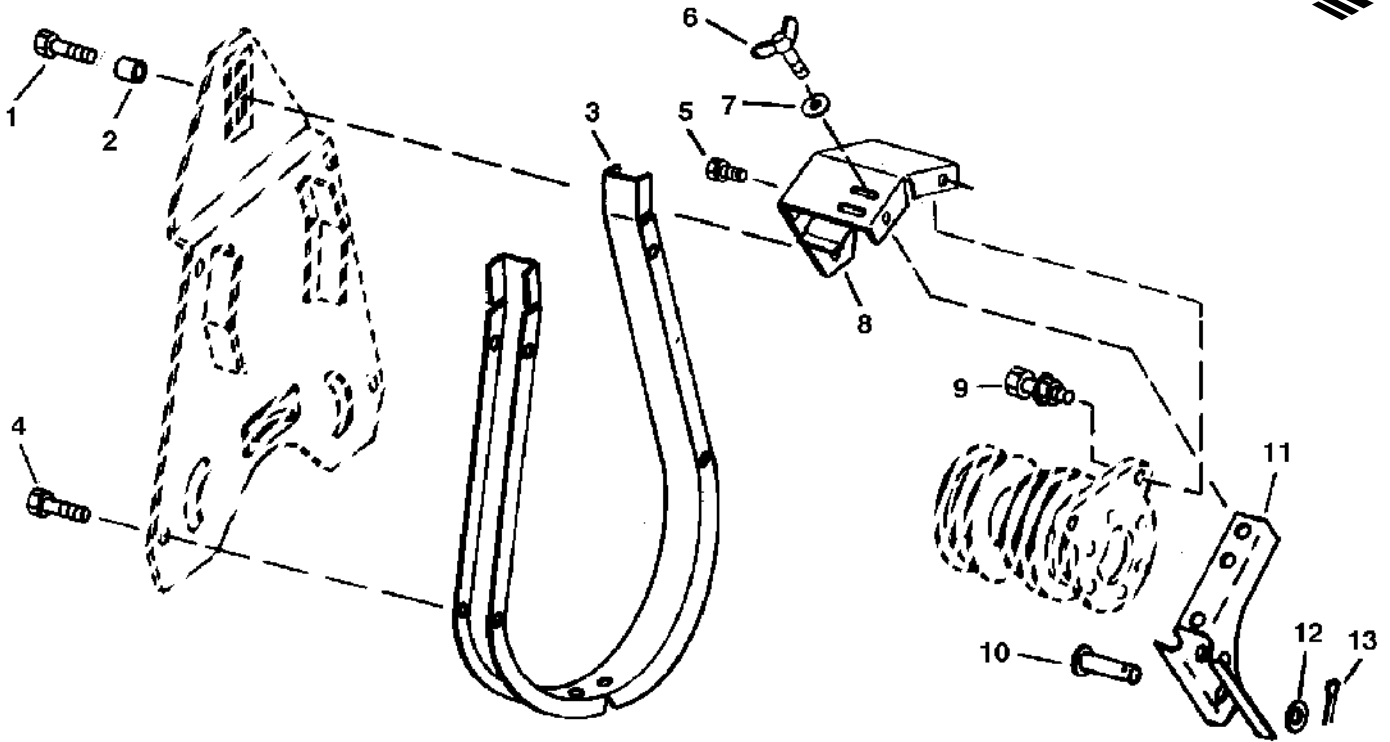
KEY	PART NO.	PART NAME	QTY	SERIAL NO.	REMARKS
1	14M7296	FLANGE NUT	2	M10	
2	H98765	PIN	1		
3	11M7059	COTTER PIN	1	3.200 X 20 MM	
4	AH144068	ARM	1	(SUB AH164841)	
	AH164841	ARM	1		
5	19M7835	SCREW	2	M10 X 35	
	14M7296	FLANGE NUT	2	M10	
6	Z33404	SPACER	2		
7	19M7794	SCREW	1	M16 X 50	
	A31869	LOCK NUT	2	M16	
8	AH118993	BRACKET	1		
9	24M7178	WASHER	2	10.500 X 30 X 2.500 MM	
10	H116262	EYEBOLT	2		
11	14M7274	NUT	4	M10	
12	H137869	SHIELD	1		
13	H133024	COUNTERSHAFT	1		
14	19M7185	CAP SCREW	1	M8 X 60, (SHEAR BOLT)	
	E64256	LOCK NUT	1	M8	
15	A31871	LOCK NUT	1	M24	
16	24M7091	WASHER	1	26 X 44 X 4 MM	
17	H133026	HUB	1		
18	AH106096	PULLEY	2		
19	19M8318	SCREW	3	M8 X 45	
20	24M7207	WASHER	6	8.400 X 24 X 2 MM	
21	24H1357	WASHER	2	19/32" X 1-5/32" X 0.090", (AT LONG SLOTS ONLY)	
22	28H1511	WASHER	3	0.364" X 0.540" X 1/4"	
23	AH140901	GUARD	2		
24	28H2531	BUSHING	3		
25	JD7797	LUBRICATION FITTING	1		
26	H133025	HUB	1		
27	22M7081	SET SCREW	2	M10 X 10	
28	AH133191	ECCENTRIC LOCKING COLLAR	2		
29	19M8317	SCREW	6	M8 X 40	
	14M7298	FLANGE NUT	6	M8	
30	19M7866	SCREW	3	M8 X 20	
	14M7298	FLANGE NUT	3	M8	
31	H133690	BRACKET	1		
32	26M6787	SHAFT KEY	2	10 X 32 MM, (WOODRUFF)	
33	H103265	PRESSED FLANGED HOUSING	4		
34	JD39104	BALL BEARING	1		
	AH139296	BALL BEARING	1		
35	03M7190	BOLT	6	M10 X 20	
	14M7296	FLANGE NUT	6	M10	
36	24H1510	WASHER	2	1-13/32" X 1-3/4" X 0.120"	
37	AH128075	CHAIN SPROCKET	1	19 TOOTH	
	AH128074	CHAIN SPROCKET	1	17 TOOTH (RICE ONLY)	
38	H138435	SET SCREW	2		
	14M7274	NUT	2	M10	
39	P44478	SNAP RING	1		
40	J16931	SPRING LOCKING PIN	1		
41	H173011	LEAF SPRING	1	(SUB FOR H146310)	
42	H114738	EYEBOLT	1		
43	24H1684	WASHER	2	11/16" X 2" X 0.105"	
44	19M7824	SCREW	1	M16 X 60	
45	AH158880	BELT SET	1	(SUB FOR AH127866)	
46	H148340	PIN	1		

5D16

CLEAN GRAIN ELEVATOR, GRAIN TANK AND UNLOADING AUGER

UNLOADING AUGER DRIVE BELT GUIDE

HP6923 -UN-18AUG97



HP6923

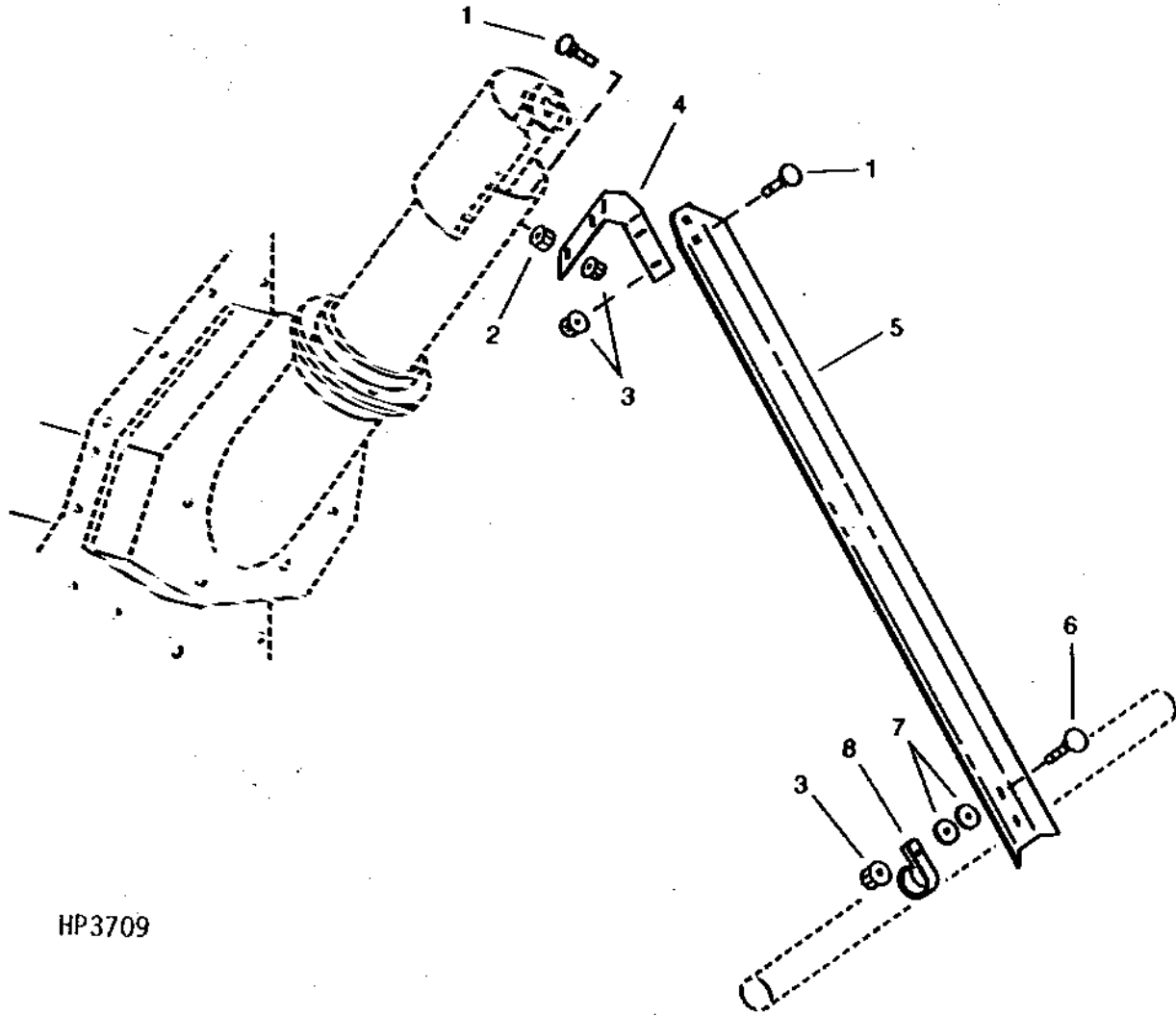
KEY	PART NO.	PART NAME	QTY	SERIAL NO.	REMARKS
1	19M7866	SCREW	1	M8 X 20	
2	28H1511	WASHER	1	0.364" X 0.540" X 1/4"	
3	AH116390	GUIDE	1		
4	19M7865	SCREW	4	M8 X 16, (INTO WELDNUTS)	
5	37M7058	SCREW	2	M8 X 20	
6	21M7269	WING SCREW	2	M8 X 20	
7	24M7207	WASHER	2	8.400 X 24 X 2 MM	
8	AH152654	SUPPORT	1		
9	19M7785	SCREW	2	M10 X 25	
	14M7296	FLANGE NUT	2	M10	
10	45M7042	PIN	2	12 X 50 MM	
11	AH127604	GUIDE	1		FOR STRAW CHOPPER DRIVE BELT
12	24M7047	WASHER	2	13 X 24 X 2.500 MM	
13	11M7015	COTTER PIN	2	3.200 X 25 MM	

MEMORANDA

5D17

CLEAN GRAIN ELEVATOR, GRAIN TANK AND UNLOADING AUGER

GRAIN TANK SAMPLING TROUGH
HP3709 -UN-01JAN94



HP3709

5D18

CLEAN GRAIN ELEVATOR, GRAIN TANK AND UNLOADING AUGER

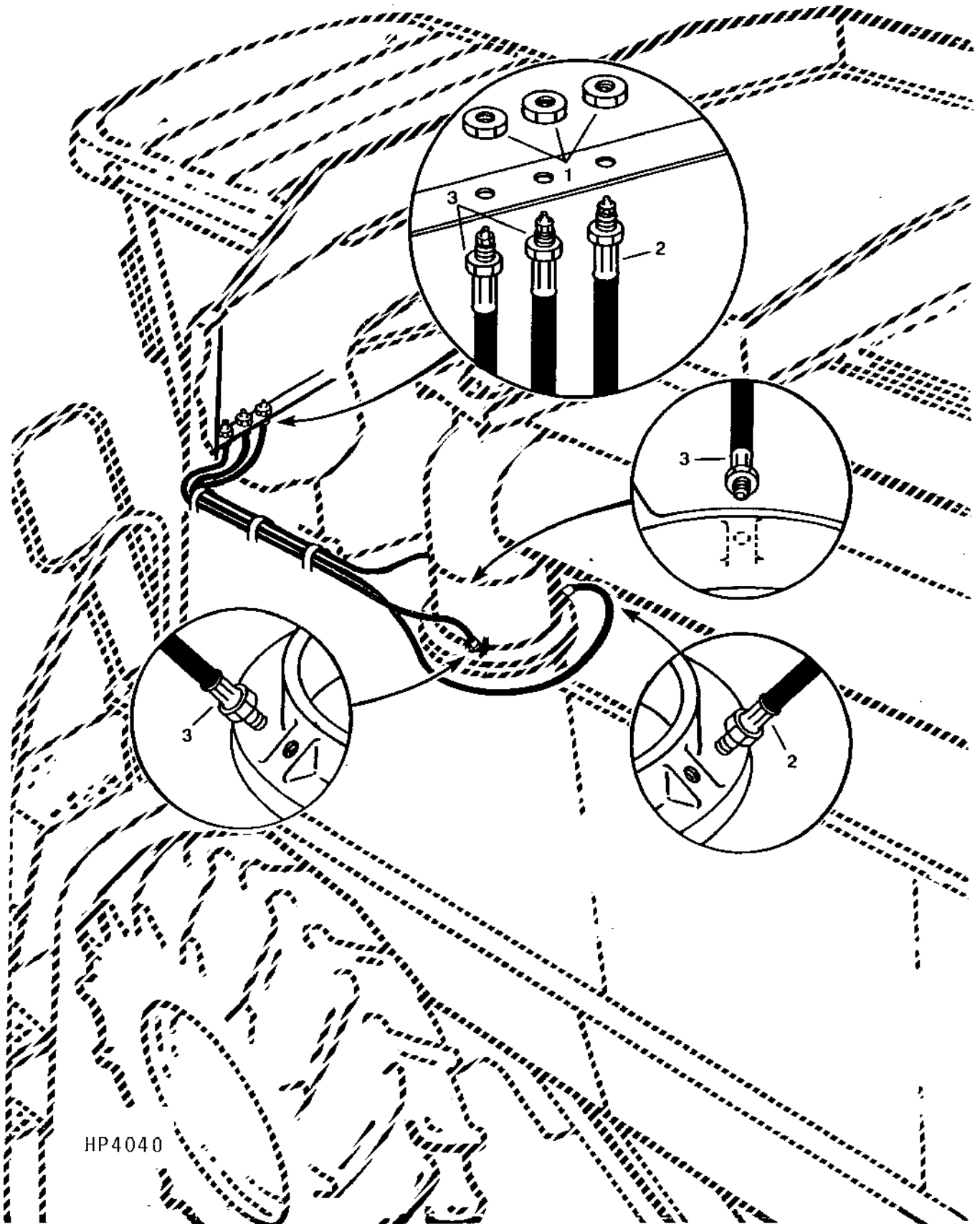
GRAIN TANK SAMPLING TROUGH - CONTINUED

KEY	PART NO.	PART NAME	QTY	SERIAL NO.	REMARKS
1	03M7184	BOLT	4		M8 X 20
2	M84309	NUT	2		7.925 MM
3	14M7396	LOCK NUT	4		M8
4	H136306	BRACKET	1		
5	H136304	TROUGH	1		
6	03M7188	BOLT	1		M8 X 40
7	H28031	WASHER	2		13/32" X 1-1/8" X 3/8"
8	AH77714	CLIP	1		

5D19

CLEAN GRAIN ELEVATOR, GRAIN TANK AND UNLOADING AUGER

UNLOADING AUGER LUBE BANK
HP4040 -UN-01JAN94



HP4040

5D20

CLEAN GRAIN ELEVATOR, GRAIN TANK AND UNLOADING AUGER

UNLOADING AUGER LUBE BANK - CONTINUED

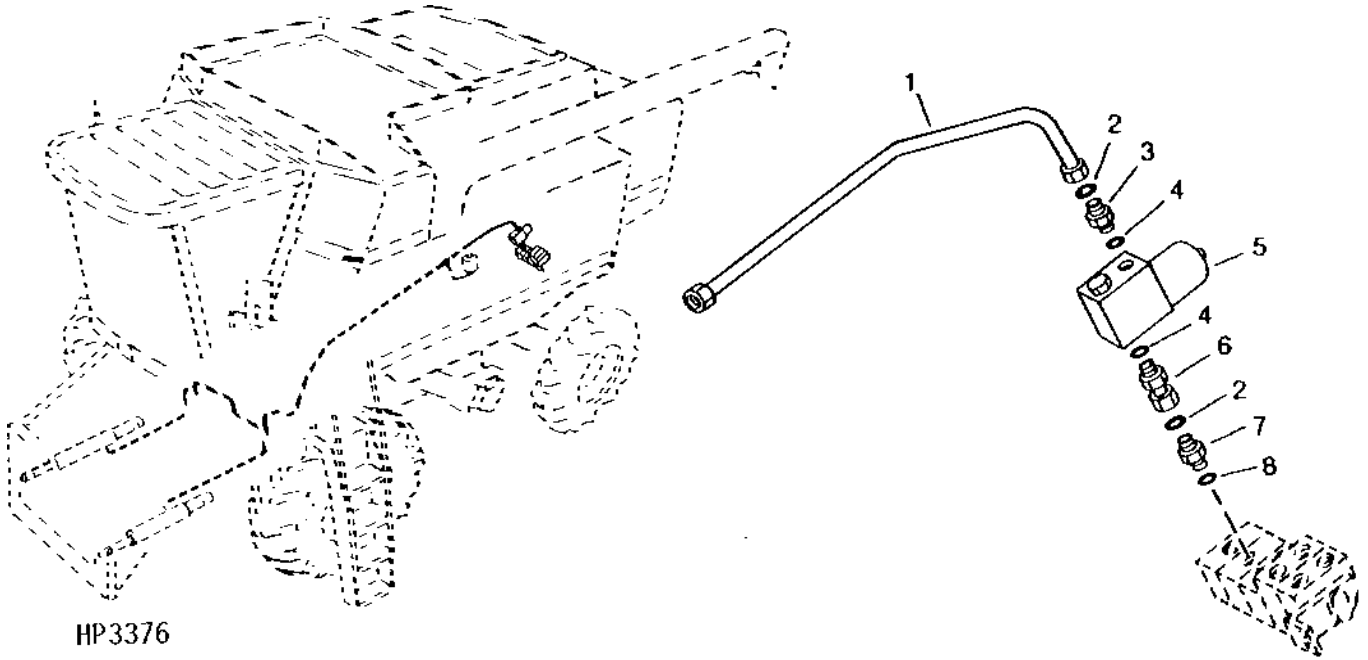
KEY	PART NO.	PART NAME	QTY	SERIAL NO.	REMARKS
1	E12379	NUT	1		3.175 MM (1/8")
2	AH136554	HOSE	1		1/8" X 2 050 MM (80-3/4") X 1/8"
3	AH136553	HOSE	1		1/8" X 1 600 MM (63") X 1/8"

MEMORANDA

MEMORANDA

**HYDRAULIC LINE AND VALVE BLOCK
(DIAL-A-MATIC HEADER HEIGHT CONTROL)**

HP3376 -UN-01JAN94



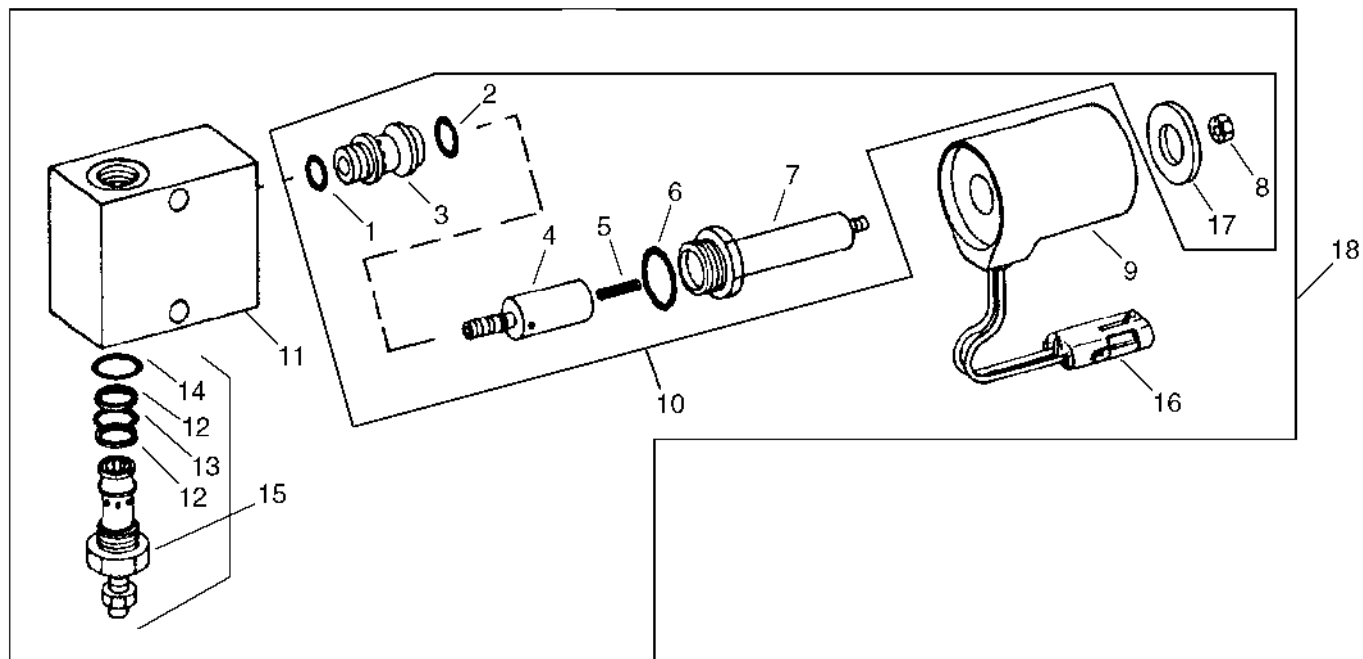
HP3376

KEY	PART NO.	PART NAME	QTY	SERIAL NO.	REMARKS
1	AH128727	HYDRAULIC LINE	1		
2	T77857	O-RING	2		
3	38H1161	ADAPTER	1		
4	R26375	O-RING	2		
5	AH125910	SOLENOID VALVE	1		
6	38H1068	ADAPTER	1		
7	38H1173	ADAPTER	1		
8	R26448	O-RING	1		

5D23

DIAL-A-MATIC HEADER HEIGHT CONTROL VALVE

HP8033 -UN-21APR99



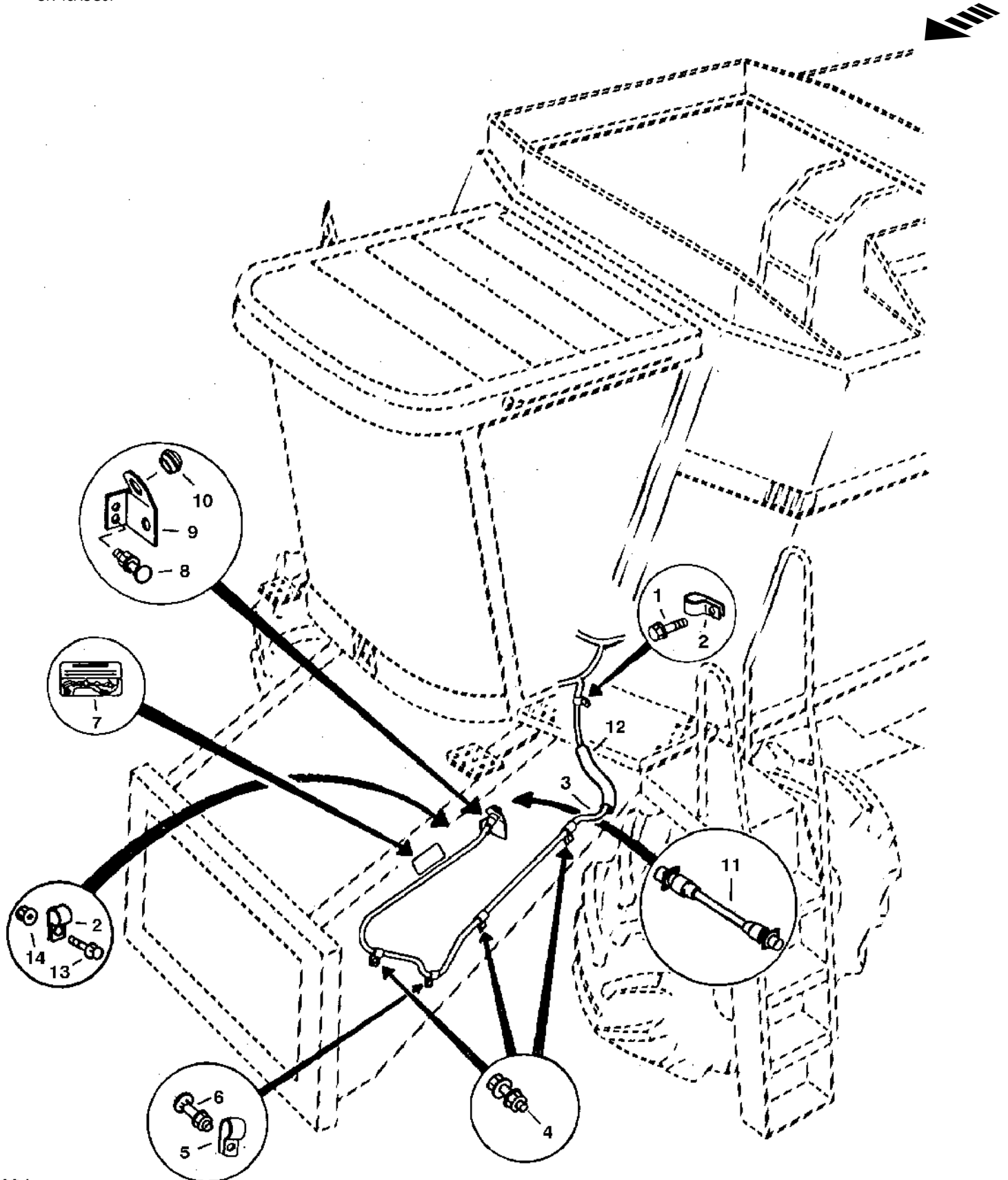
HP8033

KEY	PART NO.	PART NAME	QTY	SERIAL NO.	REMARKS
1	R28776	O-RING	1		
2	T75984	O-RING	1		
3	VALVE SPOOL	1		
4	PLUNGER	1		
5	SPRING	1		
6	R27928	O-RING	1		
7	GUIDE	1		
8	14H866	NUT	1	5/8"	
9	AH131572	ELECTRICAL COIL	1		
10	AH131571	VALVE	1		
11	H135964	HOUSING	1		
12	BACK-UP RING	2		
13	O-RING	1		
14	R26906	O-RING	1		
15	AH131570	VALVE	1		
16	R78053	PIN CONTACT CONNECTOR BODY	1		
	R78059	ELECTRICAL PLUG	1		
	R78061	PIN CONTACT	1		
17	24H1368	WASHER	1	21/32" X 1-5/16" X 0.090"	
18	AH125910	SOLENOID VALVE	1		

5D24

DIAL-A-MATIC HEADER HEIGHT CONTROL

ELECTRICAL HARNESS
(DIAL-A-MATIC HEADER HEIGHT CONTROL)
HP6924 -UN-18AUG97



HP6924

5D25

DIAL-A-MATIC HEADER HEIGHT CONTROL

ELECTRICAL HARNESS - CONTINUED
(DIAL-A-MATIC HEADER HEIGHT CONTROL)

KEY	PART NO.	PART NAME	QTY	SERIAL NO.	REMARKS
1	37M7083	SCREW	1		M8 X 12
2	AH89557	CLIP	2		
3	AH134224	WIRING HARNESS	1		
4	03M7189	BOLT	3		M8 X 45
	14M7298	FLANGE NUT	3		M8
5	AH89557	CLIP	1		
6	03M7183	BOLT	1		
	14M7298	FLANGE NUT	1		
7	H137939	LABEL	1		(IMPORTANT)
8	03M7183	BOLT	1	-675415	M8 X 16
	14M7298	FLANGE NUT	1	-675415	M8
9	H134417	BRACKET	1		
10	H146306	PLUG	1		
11	AH128924	WIRING HARNESS	1		PIGTAIL TO CONNECT FEEDER HOUSE AND 200, 50,OR 50A SERIES ETC. ALSO REQUIRES AH89557 CLAMP, 19M7866 SCREW AND 14M7298 NUT
12	H132800	HOSE	1		SLEEVE FOR PROTECTION
13	19M7866	SCREW	1		M8 X 20
14	14M7298	FLANGE NUT	1		M8

BH78374 (COMPLETE GOODS) DIAL-A-MATIC HEADER HEIGHT CONTROL

MEMORANDA

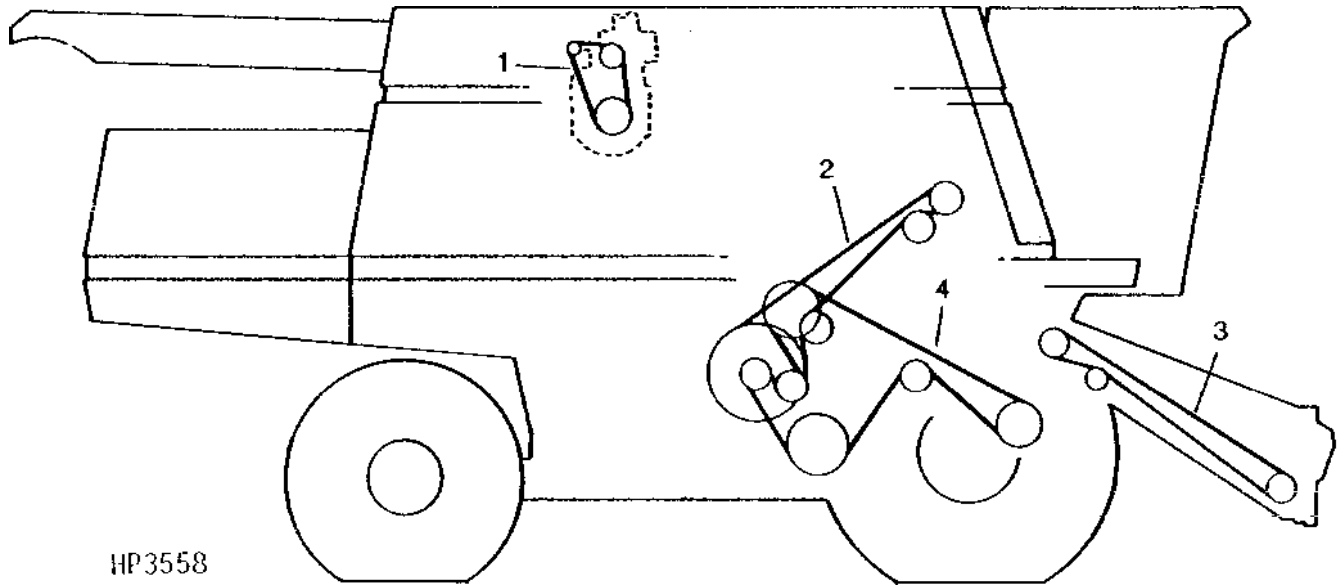
MEMORANDA

5E3

DECALS, BELTS AND CHAINS

ALTERNATOR, SECONDARY COUNTERSHAFT, FEEDER CONVEYOR, SHOE, STRAW WALKER AND CONVEYOR AUGERS

HP3558 -UN-01JAN94



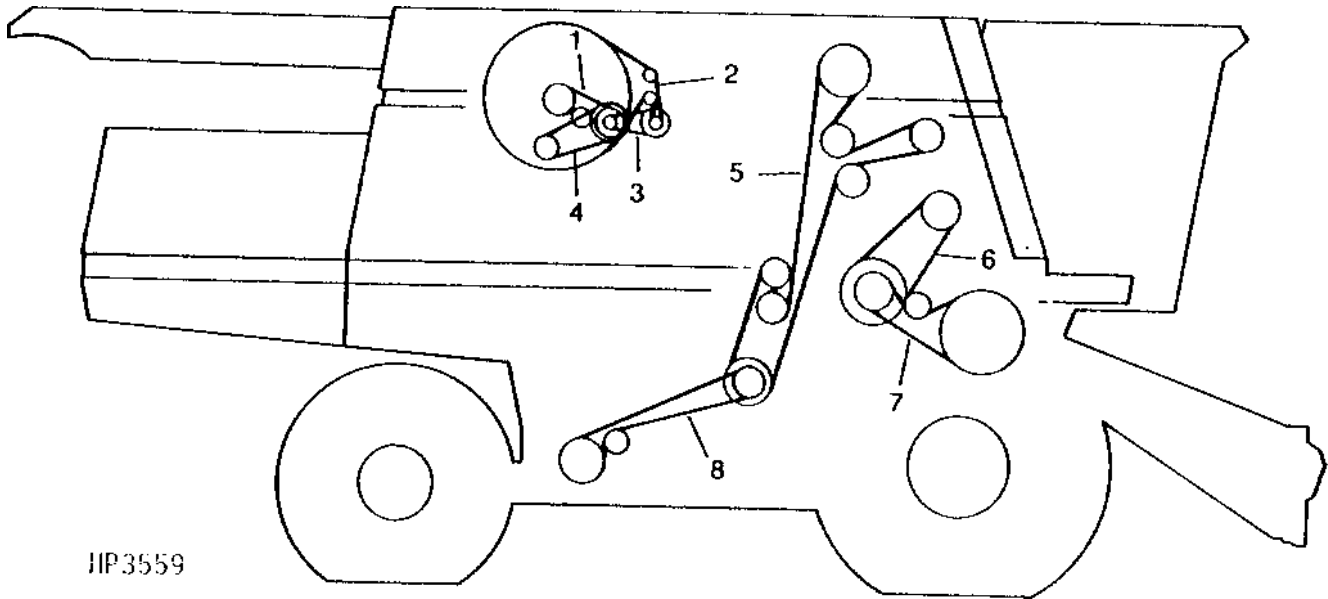
KEY	PART NO.	PART NAME	QTY	SERIAL NO.	REMARKS
1	H101813	BELT	1		12.700 X 1 479.550 MM (1/2" X 58-1/4") FOR ALTERNATOR
2	H128010	BELT	1		SECONDARY COUNTERSHAFT
3	AH145029	LINK CHAIN	1		FEEDER CONVEYOR CHAIN, ROLLER, TYPE 60 - 19 MM (3/4") PITCH, 219 LINKS
4	H131169	BELT	1		SHOE, STRAW WALKER AND CONVEYOR AUGERS

5E4

DECALS, BELTS AND CHAINS

COOLING FAN, ROTARY SCREEN, AIR CONDITIONING, CLEAN GRAIN ELEVATOR, CYLINDER INTERMEDIATE DRIVE,
CYLINDER DRIVE AND LOWER TAILINGS AUGER AND ELEVATOR

HP3559 -UN-01JAN94



HP3559

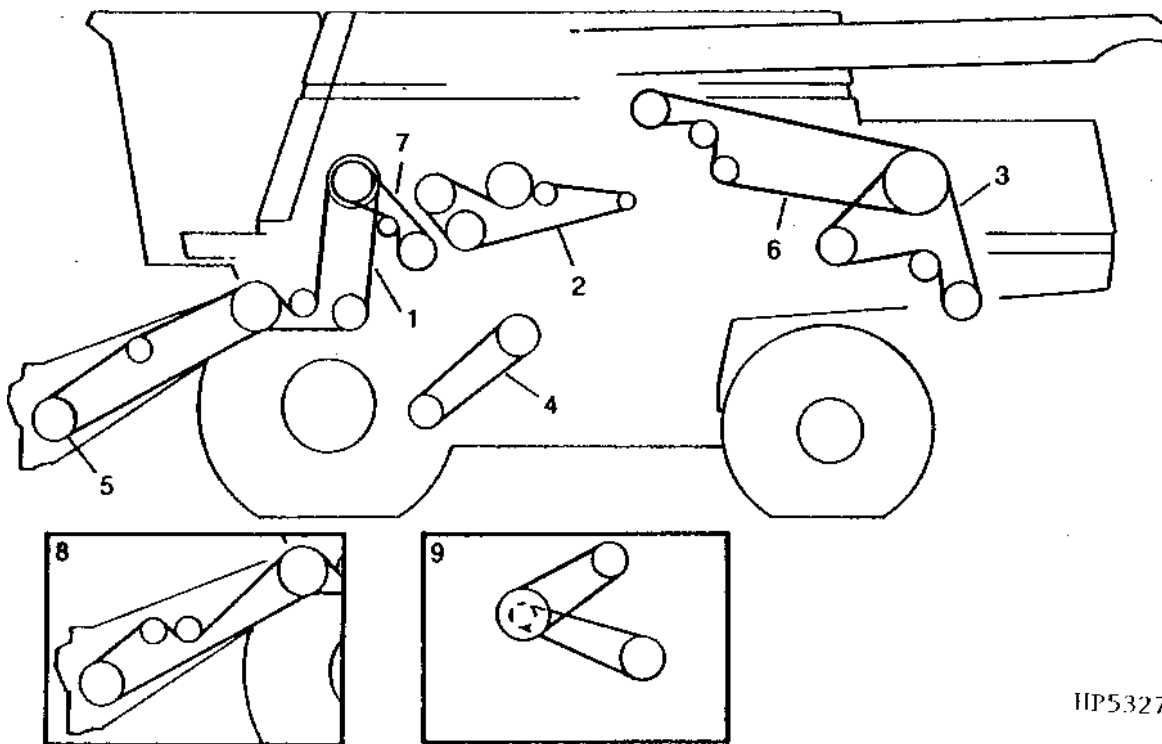
KEY	PART NO.	PART NAME	QTY	SERIAL NO.	REMARKS
1	H160405	BELT	1		COOLING FAN
2	H145158	BELT	1		
3	H146636	BELT	1		ROTARY SCREEN DRIVE
4	H134437	BELT	1		AIR CONDITIONING COMPRESSOR
5	H160171	BELT	1		CLEAN GRAIN ELEVATOR
6	H115759	BELT	1		(SUB H162629) CYLINDER INTERMEDIATE DRIVE
	H162629	BELT	1		CYLINDER INTERMEDIATE DRIVE
7	H115881	BELT	1		CYLINDER DRIVE REGULAR DUAL-RANGE AND SINGLE RANGE
	H118618	BELT	1		CYLINDER DRIVE SLOW SPEED
8	N110085	BELT	1		LOWER TAILINGS AUGER AND ELEVATOR

5E5

DECALS, BELTS AND CHAINS

HEADER AND REEL PUMP, UNLOADING AUGERS, STRAW CHOPPER, CLEANING FAN, FEEDER HOUSE AND STRAW SPREADER (LEFT-HAND DRIVES)

HP5327 -UN-01JAN94



HP5327

KEY	PART NO.	PART NAME	QTY	SERIAL NO.	REMARKS
1	H151952	BELT	1		FRONT END EQUIPMENT
2	AH126837	LINK CHAIN	1		ROLLER, TYPE 60H - 19 MM (3/4") PITCH, 198 LINKS (REGULAR SPEED)
	AH146359	LINK CHAIN	1		ROLLER, TYPE 60H - 19MM (3/4") PITCH, 204 LINKS (SLOW DOWN SPEED)
3	H141417	BELT	1		STRAW CHOPPER (STANDARD)
	H155525	BELT	1		STRAW CHOPPER (FINE CUT)
4	H140404	BELT	1		REGULAR (750 - 1350 RPM) FAN DRIVE
	H137264	BELT	1		SLOW SPEED (490 - 980 RPM)
5	H161648	BELT	1		VARIABLE SPEED
6	H141429	BELT	1		SEPARATOR
7	H143700	BELT	1		BEATER DRIVE
8	H126345	BELT	1		FIXED SPEED FEEDER HOUSE
9	E61326	BELT	1		STRAW SPREADER
	P49604	BELT	1		
	M95728	BELT	1		CHAFF SPREADER DRIVE

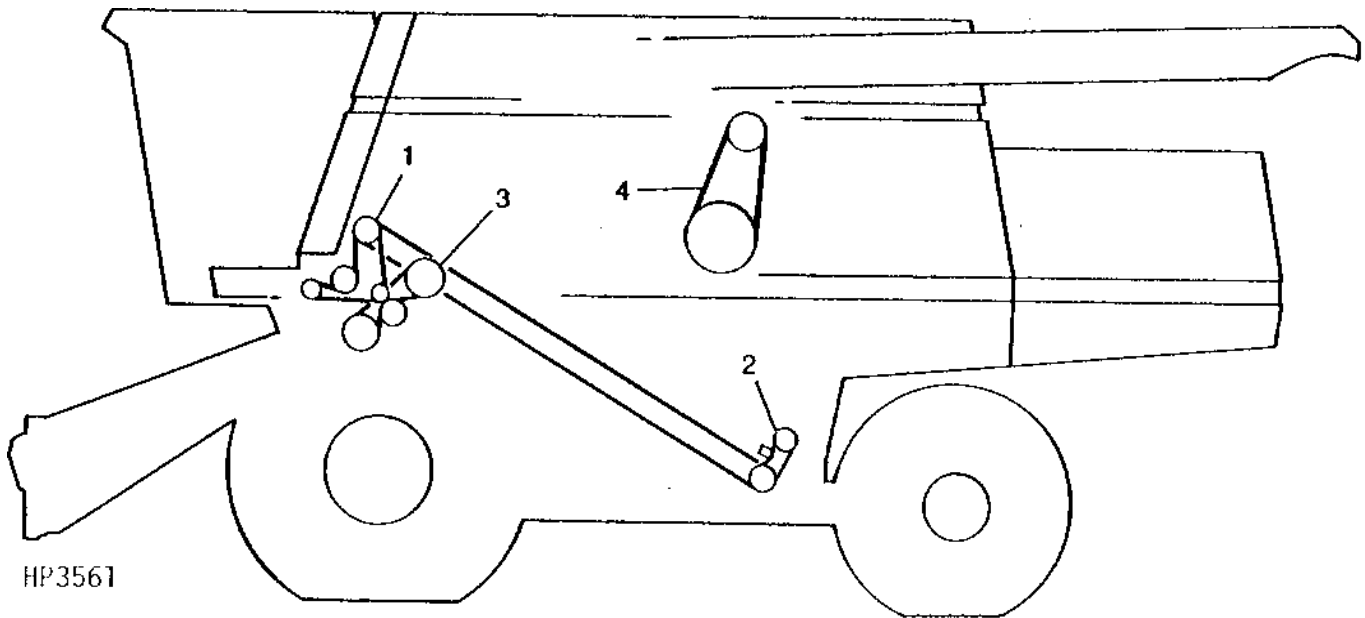
5E6

DECALS, BELTS AND CHAINS

TAILINGS AUGER, BEATER AND UNLOADING SYSTEM BELTS AND CHAINS

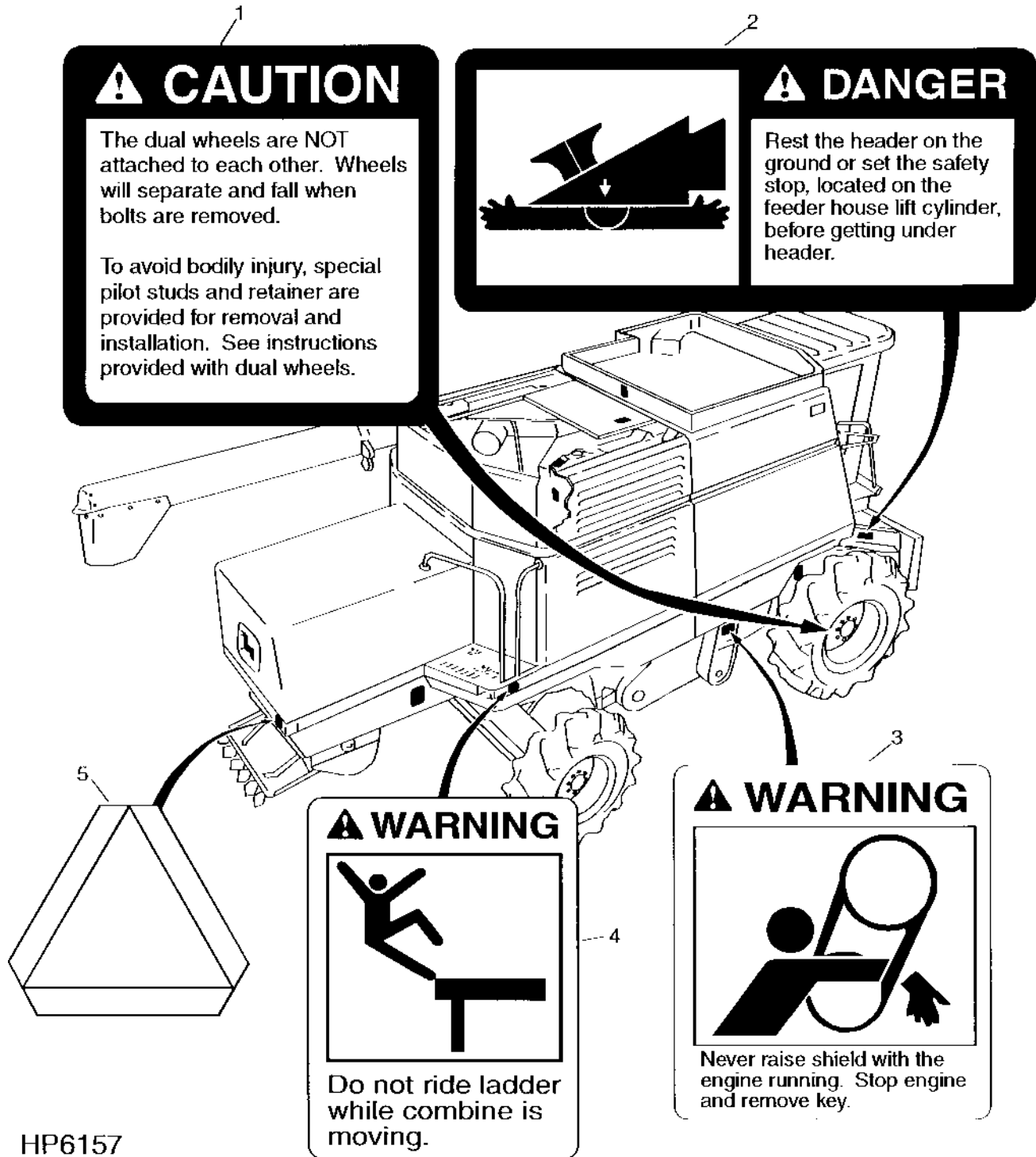
LEFT-HAND SIDE

HP3561 -UN-01JAN94



KEY	PART NO.	PART NAME	QTY	SERIAL NO.	REMARKS
1	AH126007	ROLLER CHAIN	1		UPPER TAILINGS AUGER. ROLLER, TYPE 50, 123 LINKS
2	ROLLER CHAIN	1		LOWER TAILINGS AUGER. ROLLER, TYPE 50, 16MM (5/8") PITCH, 43 LINKS. (ASSEMBLE FROM AN18482 OR AP22459, (1) P20351 AND (1) P20352)
3	H139963	BELT	1		STRIPPER BEATER
4	AH158880	BELT SET	1		(SUB FOR AH127866) UNLOADING SYSTEM

SAFETY DECALS AND LOCATIONS
HP6157 -19-20SEP95



HP6157

5E8

DECALS, BELTS AND CHAINS

SAFETY DECALS AND LOCATIONS - CONTINUED

KEY	PART NO.	PART NAME	QTY	SERIAL NO.	REMARKS
1	H122573	DECAL	1	-675552	DUAL WHEELS
	H158975	DECAL	1	675553-	
2	H149063	LABEL	1		HEADER
3	H149099	DECAL	1		CLEAN GRAIN ELEVATOR
4	H149064	LABEL	1		LADDER
5	JD5400	SMV EMBLEM	1		SMV (SLOW MOVING VEHICLE)

SAFETY DECALS AND LOCATIONS
HP9108 -UN-04JAN99



HP9108

5E10

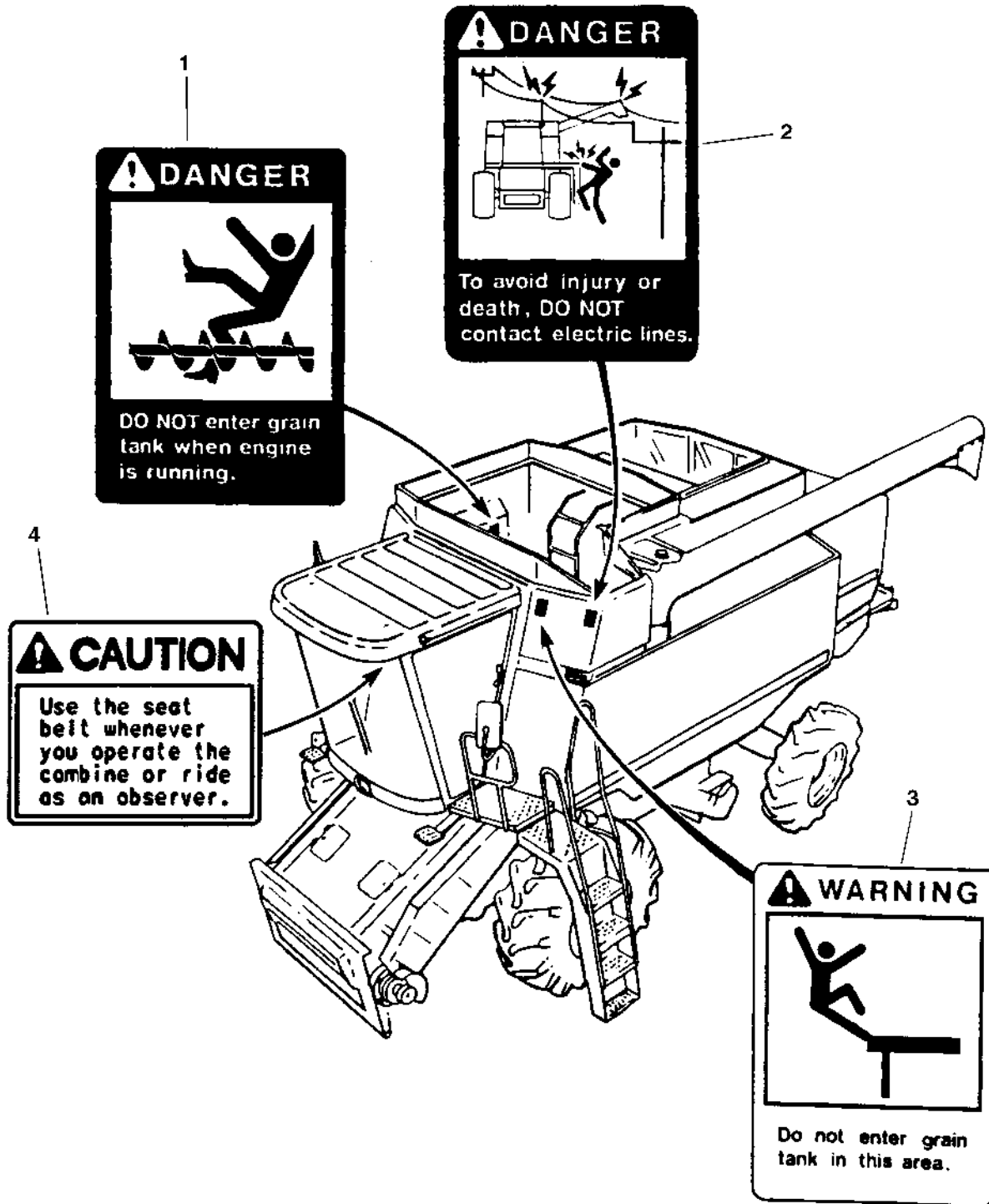
DECALS, BELTS AND CHAINS

SAFETY DECALS AND LOCATIONS - CONTINUED

KEY	PART NO.	PART NAME	QTY	SERIAL NO.	REMARKS
1	H149088	DECAL	1		FAN AND ROTARY SCREEN
2	H169344	DECAL	1		(SUB FOR A2913R) PRESSURE COOLING SYSTEM
3	H149062	DECAL	2		GRAIN TANK
4	H149037	DECAL	1		VARIABLE CYLINDER DRIVE
5	H149096	LABEL	2		PROJECTILE

5E11

SAFETY DECALS AND LOCATIONS
HP7115 -UN-15SEP97



HP7115

5E12

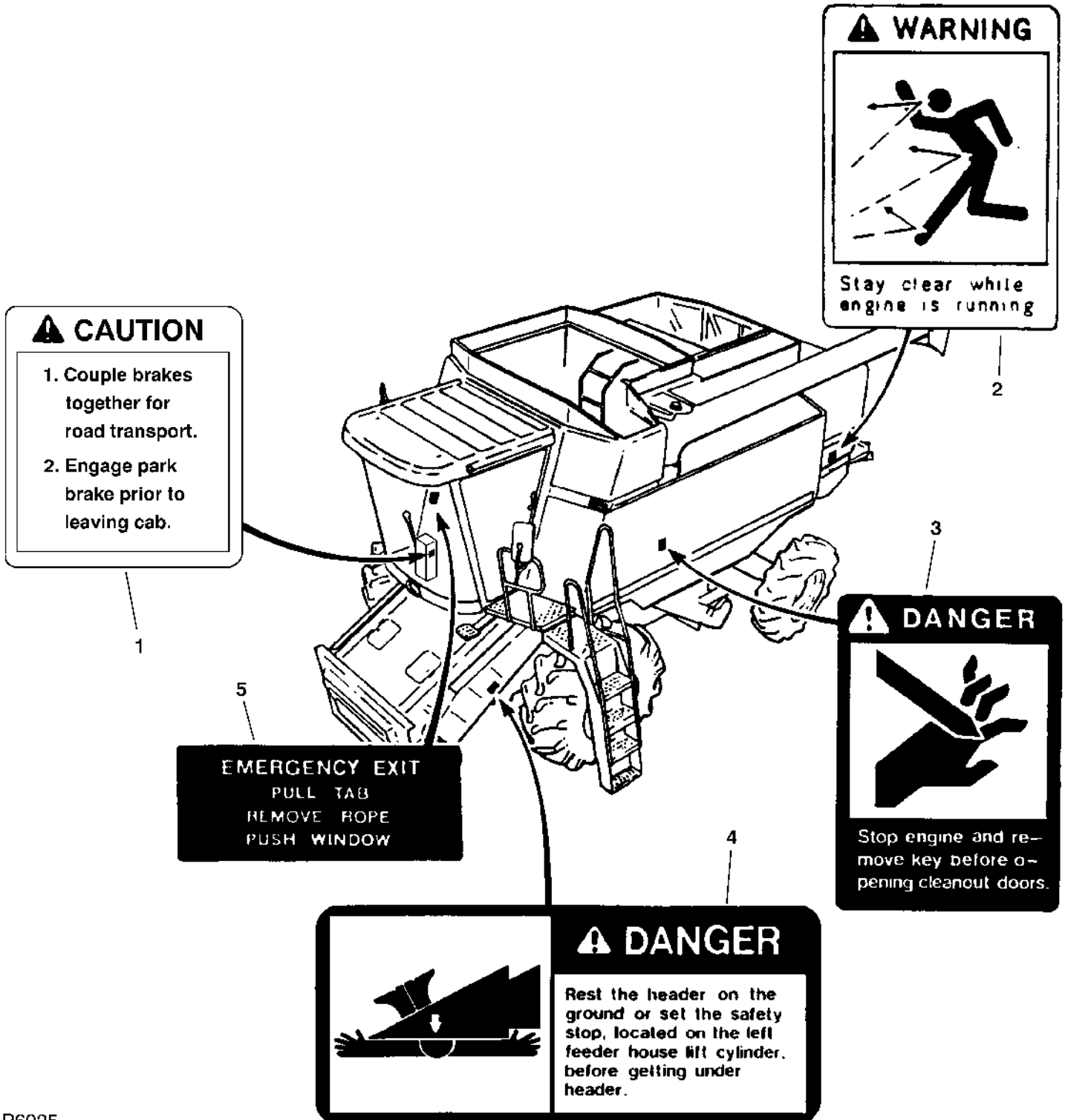
DECALS, BELTS AND CHAINS

SAFETY DECALS AND LOCATIONS - CONTINUED

KEY	PART NO.	PART NAME	QTY	SERIAL NO.	REMARKS
1	H149062	DECAL	1		GRAIN TANK
2	H149090	LABEL	1		POWERLINE
3	H149065	LABEL	2		FRONT ENTRY
4	H155510	SIGN	1		SEATBELT

5E13

SAFETY DECALS AND LOCATIONS
HP6925 -UN-27OCT97



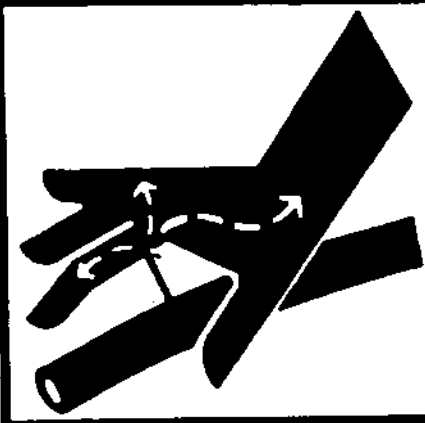
HP6925

5E14

DECALS, BELTS AND CHAINS

SAFETY DECALS AND LOCATIONS - CONTINUED

KEY	PART NO.	PART NAME	QTY	SERIAL NO.	REMARKS
1	H156390	LABEL	1		BRAKE
2	H149096	LABEL	1		PROJECTILE
3	H149066	LABEL	1		AUGER
4	H149063	LABEL	1		HEADER
5	H134535	LABEL	1		EXIT



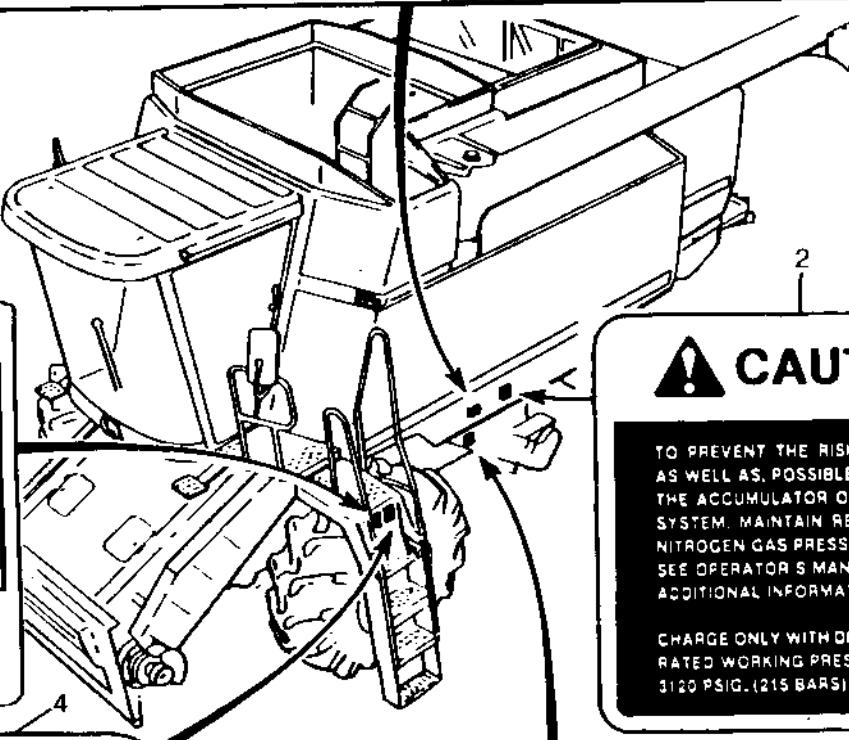
⚠ WARNING

Avoid bodily injuries from hydraulic oil and gas under pressure.


Before removing or charging accumulator

1. With feederhouse or header on the ground or in a supported position, open hand valve.
2. Start engine and hold header height control to lower position for 5 seconds to relieve system hydraulic pressure.
3. Stop engine.

Use only DRY NITROGEN for recharging accumulator.
See your John Deere dealer.



⚠ WARNING



Do not ride ladder while combine is moving.

5

⚠ CAUTION

TO PREVENT THE RISK OF INJURY, AS WELL AS POSSIBLE DAMAGE TO THE ACCUMULATOR OR HYDRAULIC SYSTEM, MAINTAIN RECOMMENDED NITROGEN GAS PRESSURE. SEE OPERATOR'S MANUAL FOR ADDITIONAL INFORMATION.

CHARGE ONLY WITH DRY NITROGEN. RATED WORKING PRESSURE IS 3120 PSIG. (215 BARS)


2

⚠ CAUTION

1. Keep all shields in place.
2. Disengage and shut off all engine and/or motor power before servicing or unclagging machine.
3. Keep hands, feet, and clothing away from power driven parts.

4

⚠ WARNING



Never raise shield with the engine running. Stop engine and remove key.

3

HP6163

5E16

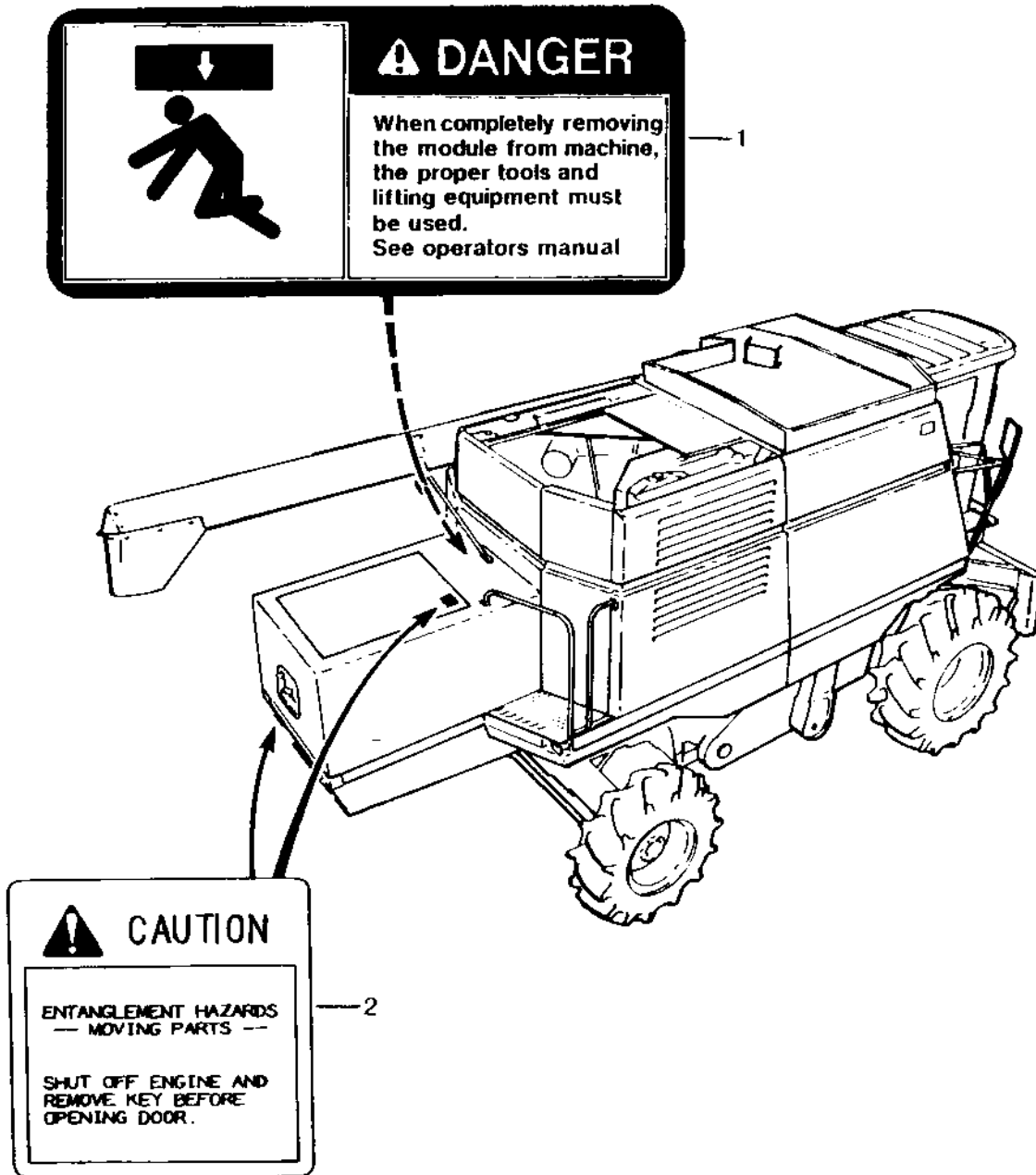
DECALS, BELTS AND CHAINS

SAFETY DECALS AND LOCATIONS - CONTINUED

KEY	PART NO.	PART NAME	QTY	SERIAL NO.	REMARKS
1	H149067	LABEL	1		ACCUMULATOR
2	H149092	LABEL	1		ACCUMULATOR
3	H149099	DECAL	1		CLEAN GRAIN ELEVATOR
4	E82510	LABEL	1		SEPARATOR
5	H149064	LABEL	1		LADDER

5E17

SAFETY DECALS AND LOCATIONS
HP6175 -19-13SEP95



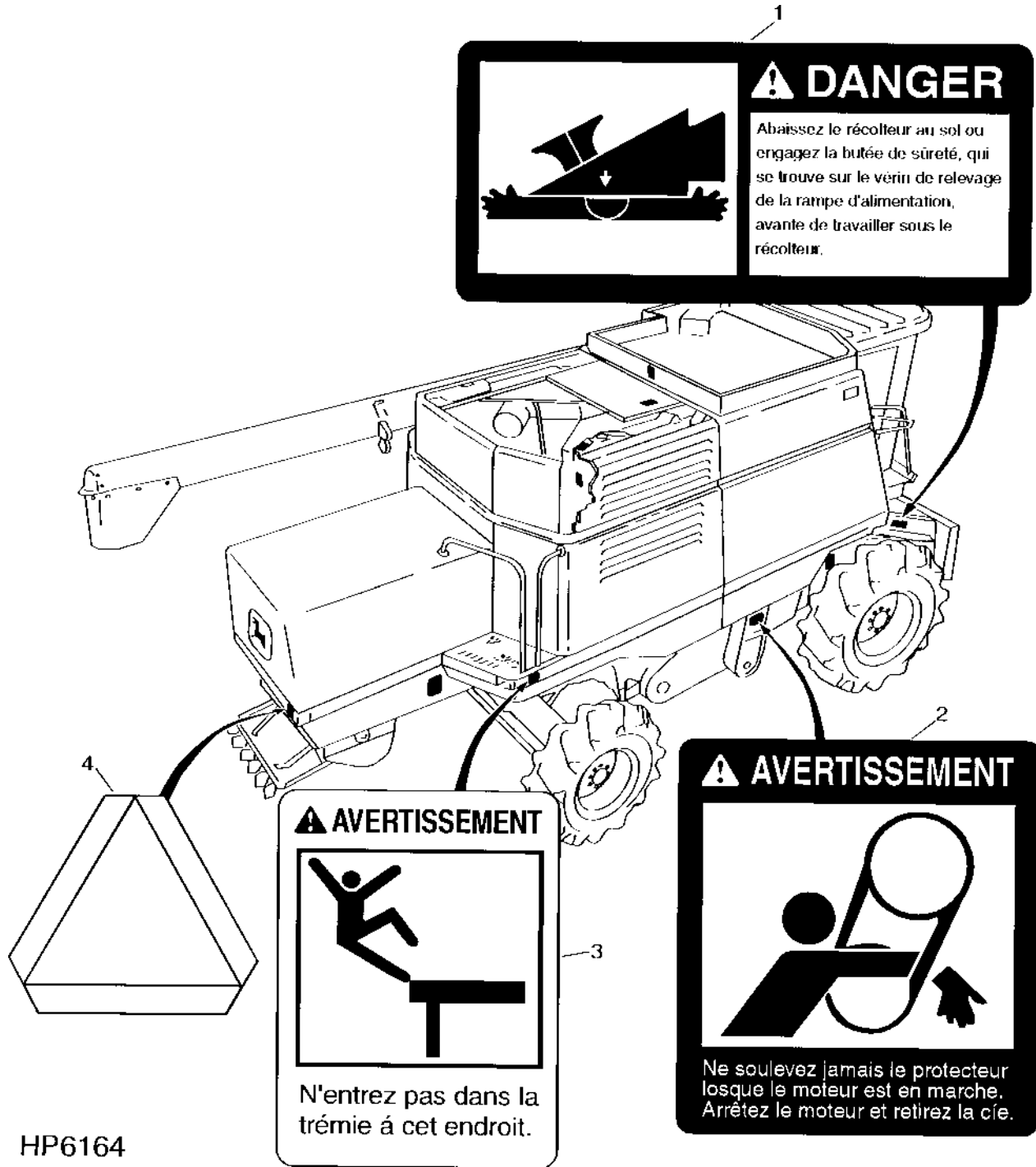
HP6175

5E18

DECALS, BELTS AND CHAINS

SAFETY DECALS AND LOCATIONS - CONTINUED

KEY	PART NO.	PART NAME	QTY	SERIAL NO.	REMARKS
1	H149101	LABEL	1		MODULE
2	H149104	LABEL	2		REAR HOOD AND SEPARATOR

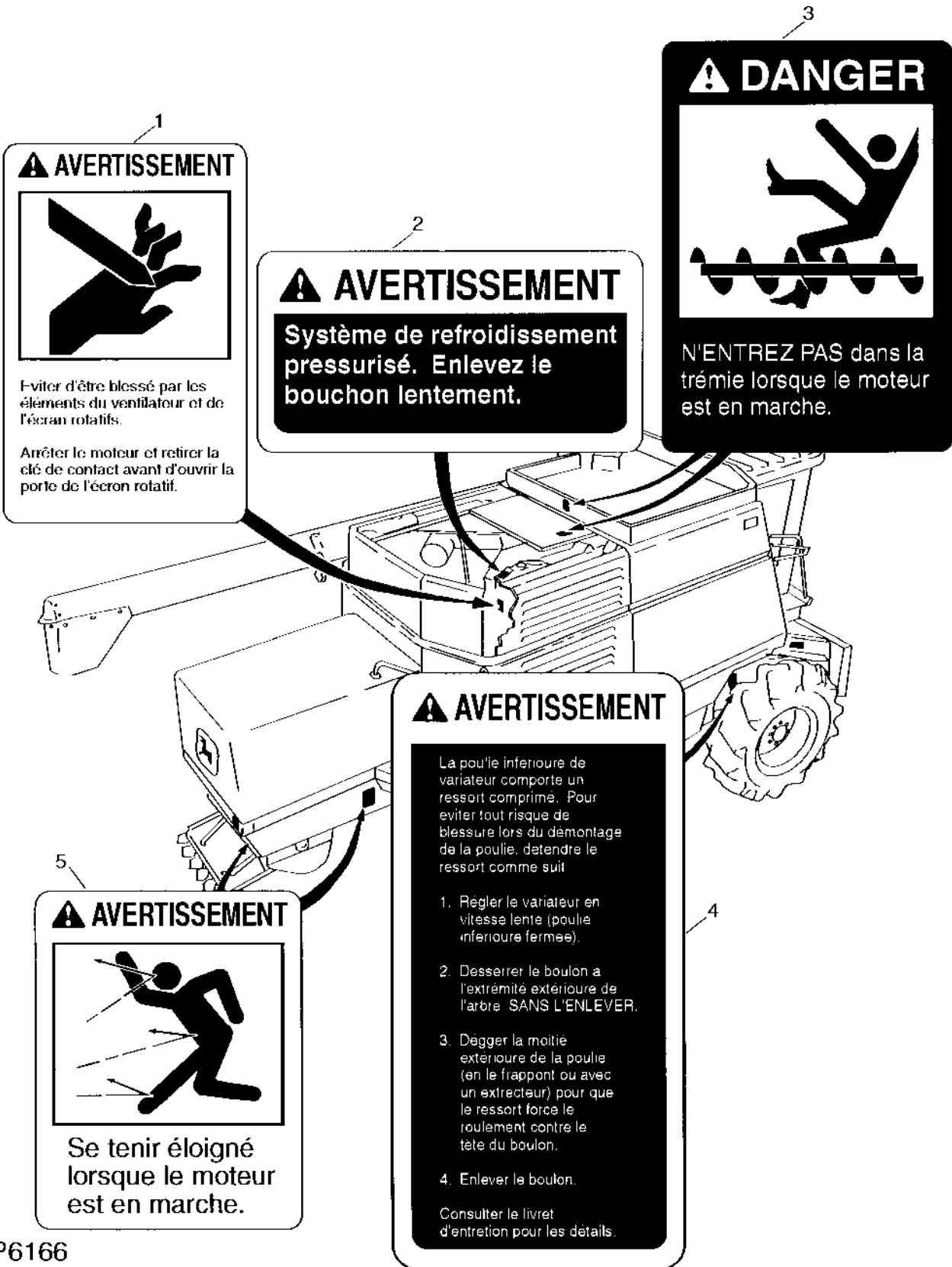


5E20

DECALS, BELTS AND CHAINS

SAFETY DECALS AND LOCATIONS - FRENCH - CONTINUED

KEY	PART NO.	PART NAME	QTY	SERIAL NO.	REMARKS
1	H149077	DECAL	1		HEADER
2	H149100	LABEL	1		CLEAN GRAIN ELEVATOR
3	H149074	LABEL	1		LADDER
4	JD5400	SMV EMBLEM	1	-675552	SMV (SLOW MOVING VEHICLE)
	JD5927	SMV EMBLEM	1	675553-	SMV (SLOW MOVING VEHICLE)
..	AH135254	LABEL KIT	1		



HP6166

5E22

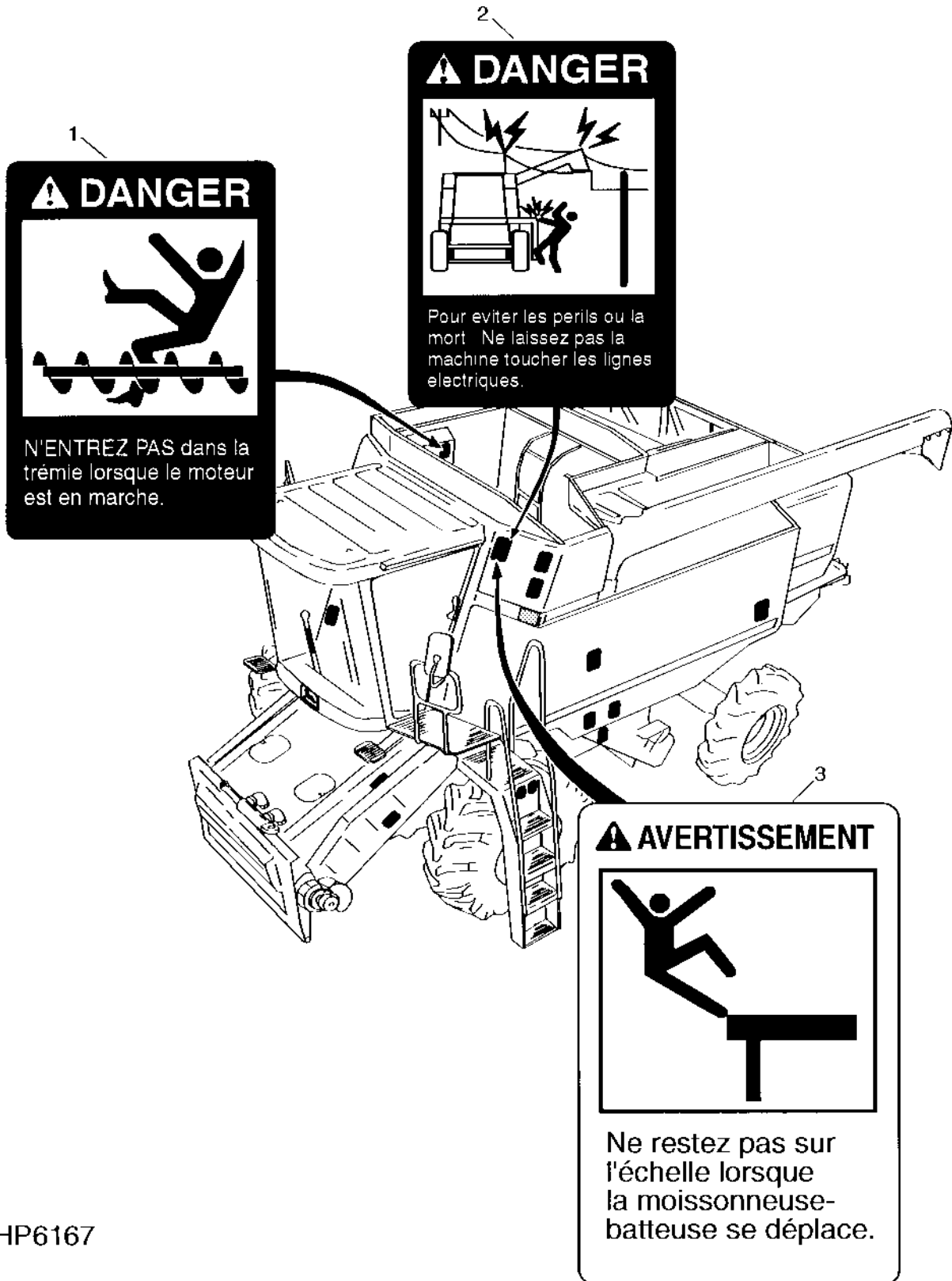
DECALS, BELTS AND CHAINS

SAFETY DECALS AND LOCATIONS - FRENCH - CONTINUED

KEY	PART NO.	PART NAME	QTY	SERIAL NO.	REMARKS
1	H149089	SIGN	1		FAN AND ROTARY SCREEN
2	H170105	LABEL	1		(SUB FOR H149046) PRESSURE COOLING SYSTEM
3	H149076	DECAL	2		GRAIN TANK
4	H149040	DECAL	1		VARIABLE CYLINDER DRIVE
5	H149097	LABEL	2		PROJECTILE
..	AH135254	LABEL KIT	1		

5E23

SAFETY DECALS AND LOCATIONS - FRENCH
HP6167 -28-20SEP95



HP6167

5E24

DECALS, BELTS AND CHAINS

SAFETY DECALS AND LOCATIONS - FRENCH - CONTINUED

KEY	PART NO.	PART NAME	QTY	SERIAL NO.	REMARKS
1	H149076	DECAL	1		GRAIN TANK
2	H149091	LABEL	1		POWER LINE
3	H149075	LABEL	2		FRONT ENTRY
..	AH135254	LABEL KIT	1		

5F1

SAFETY DECALS AND LOCATIONS - FRENCH
HP6168 -28-20SEP95



HP6168

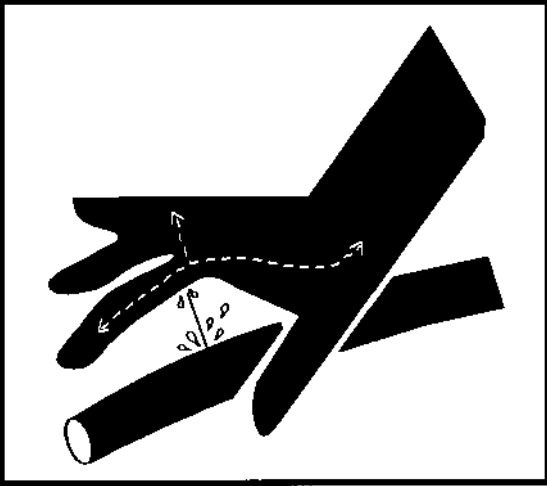
5F2

DECALS, BELTS AND CHAINS

SAFETY DECALS AND LOCATIONS - FRENCH - CONTINUED

KEY	PART NO.	PART NAME	QTY	SERIAL NO.	REMARKS
1	H173824	LABEL	1		(SUB FOR H149080) BRAKE
2	H149097	LABEL	1		PROJECTILE
3	H149078	LABEL	1		AUGER
4	H149077	DECAL	1		HEADER
5	H134620	LABEL	1		EXIT
..	AH135254	LABEL KIT	1		

1

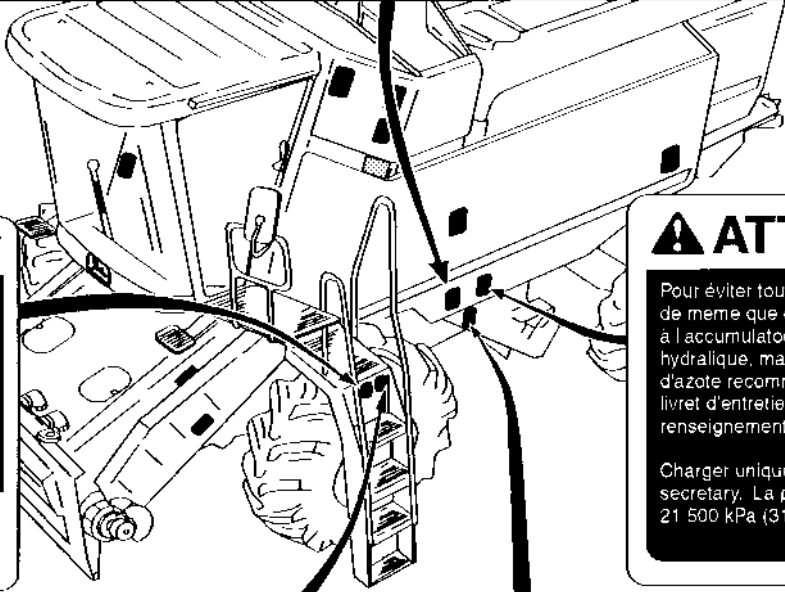


! AVERTISSEMENT

Éviter les blessures corporelles provenant de l'huile hydraulique et du carburant sous pression. Avant d'enlever, de démonter ou de charger l'accumulateur:


1. Avec le rampe d'alimentation ou le récolteur ou sel ou on position soutenue, ouvrir le souepe manuelle.
2. Faire émettre le moteur et tenir le commande de houtour du raccolteur e le position inferioure pendant 5 secondes pour reduire le pression hydraulique du systeme.
3. Arrêter le moteur.

Utiliser uniquement de L'AZOTE secretary pour recharger l'accumulateur. Consulter le concessionnaire John Deere.



5

! AVERTISSEMENT



N'entrez pas dans la trémie à cet endroit.

2

! ATTENTION

Pour éviter tout de blessures de meme que des dammages possibles à l'accumulateur ou au système hydraulique, maintenir la pression d'azote recommandée. Consulter le livret d'entretien pour des renseignements supplémentaires.

Charger uniquement avec de l'azote secretary. La pression nominale est de 21 500 kPa (3120 psi)

4

! ATTENTION

1. Laissez tous les protecteurs en place.
2. Debrayez et arrêtez le moteur ou l'entraînement avant de protéder à toute opération d'entretien sur la machine.
3. Tenez vos vêtements à l'écart des pieces mobiles.

3

! AVERTISSEMENT



Ne soulevez jamais le protecteur lorsque le moteur est en marche. Arrêtez le moteur et retirez la clé.

HP6169

5F4

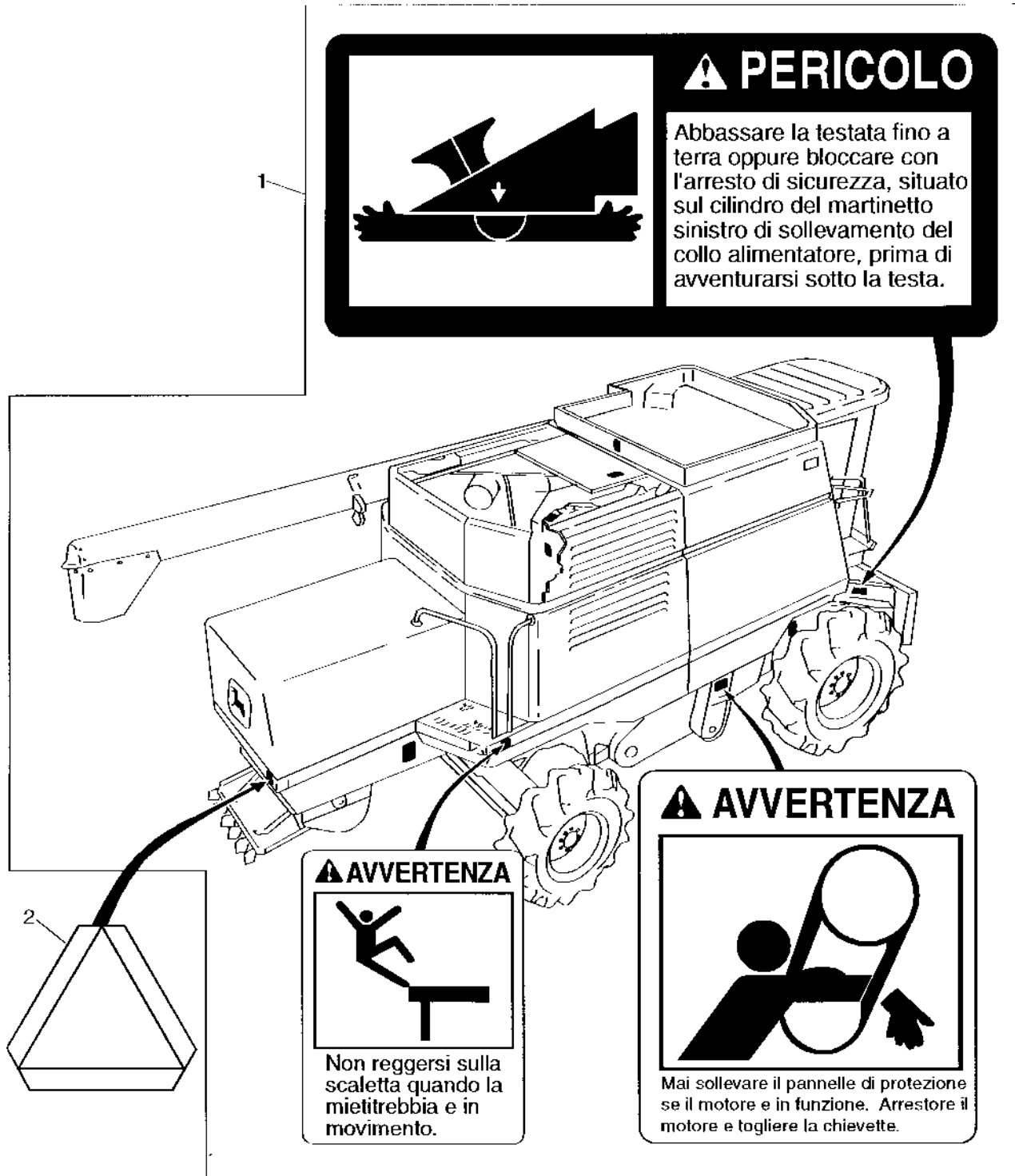
DECALS, BELTS AND CHAINS

SAFETY DECALS AND LOCATIONS - FRENCH - CONTINUED

KEY	PART NO.	PART NAME	QTY	SERIAL NO.	REMARKS
1	H149079	LABEL	1		ACCUMULATOR
2	H149098	LABEL	1		ACCUMULATOR
3	H149100	LABEL	1		CLEAN GRAIN ELEVATOR
4	E82575	LABEL	1		SEPARATOR
5	H149074	LABEL	1		LADDER
..	AH135254	LABEL KIT	1		

5F5

SAFETY DECALS AND LOCATIONS - ITALIAN
HP6170 -39-20SEP95



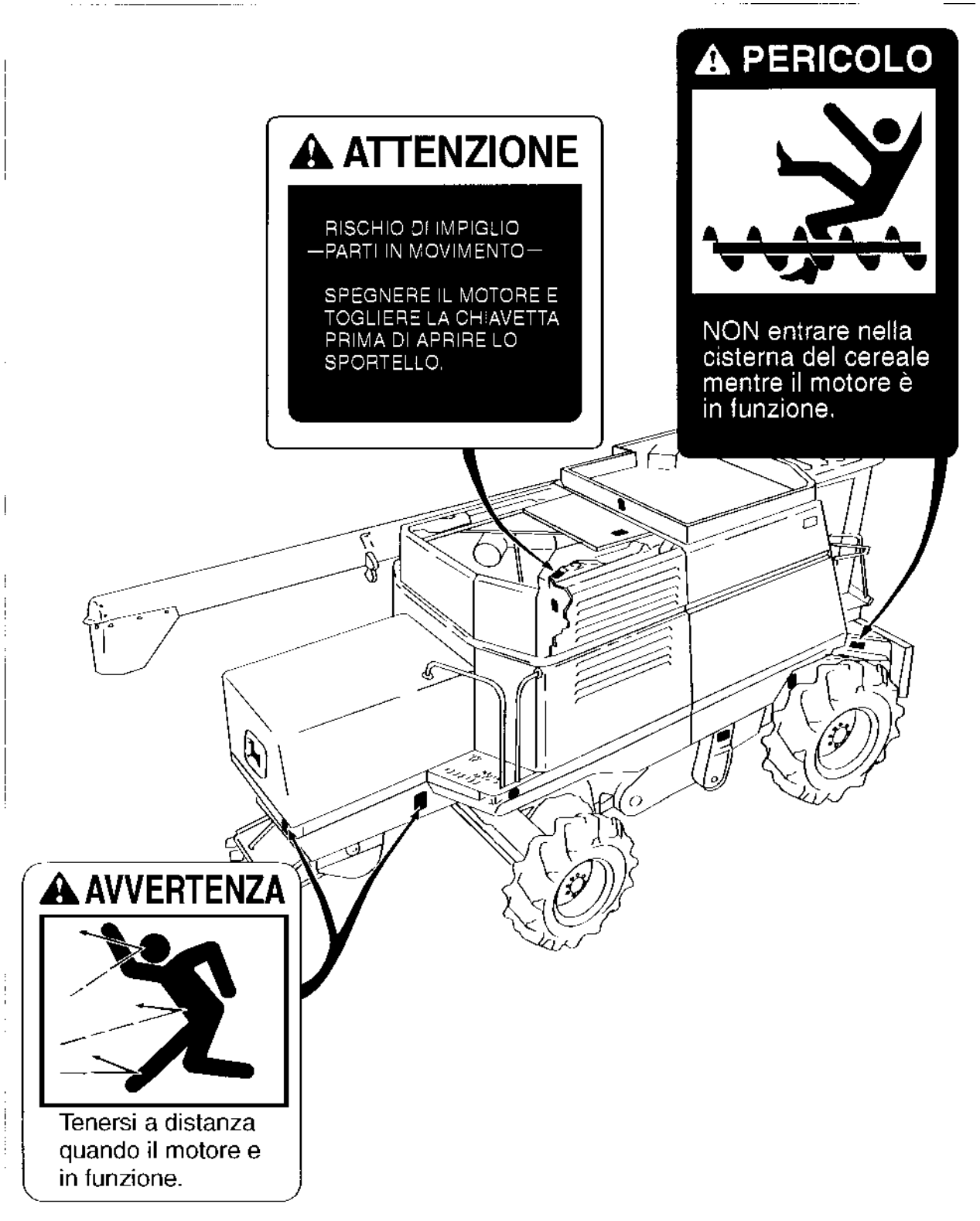
HP6170

5F6

DECALS, BELTS AND CHAINS

SAFETY DECALS AND LOCATIONS - ITALIAN - CONTINUED

KEY	PART NO.	PART NAME	QTY	SERIAL NO.	REMARKS
1	AH155618	KIT	1		
2	JD5400	SMV EMBLEM	1	-675552	SMV (SLOW MOVING VEHICLE)
	JD5927	SMV EMBLEM	1	675553-	SMV (SLOW MOVING VEHICLE)



⚠ ATTENZIONE

RISCHIO DI IMPIGLIO
 —PARTI IN MOVIMENTO—

SPEGNERE IL MOTORE E
 TOGLIERE LA CHIAVETTA
 PRIMA DI APRIRE LO
 SPORTELLO.

⚠ PERICOLO



NON entrare nella
 cisterna del cereale
 mentre il motore è
 in funzione.

⚠ AVVERTENZA



Tenersi a distanza
 quando il motore e
 in funzione.

1 HP6171

5F8

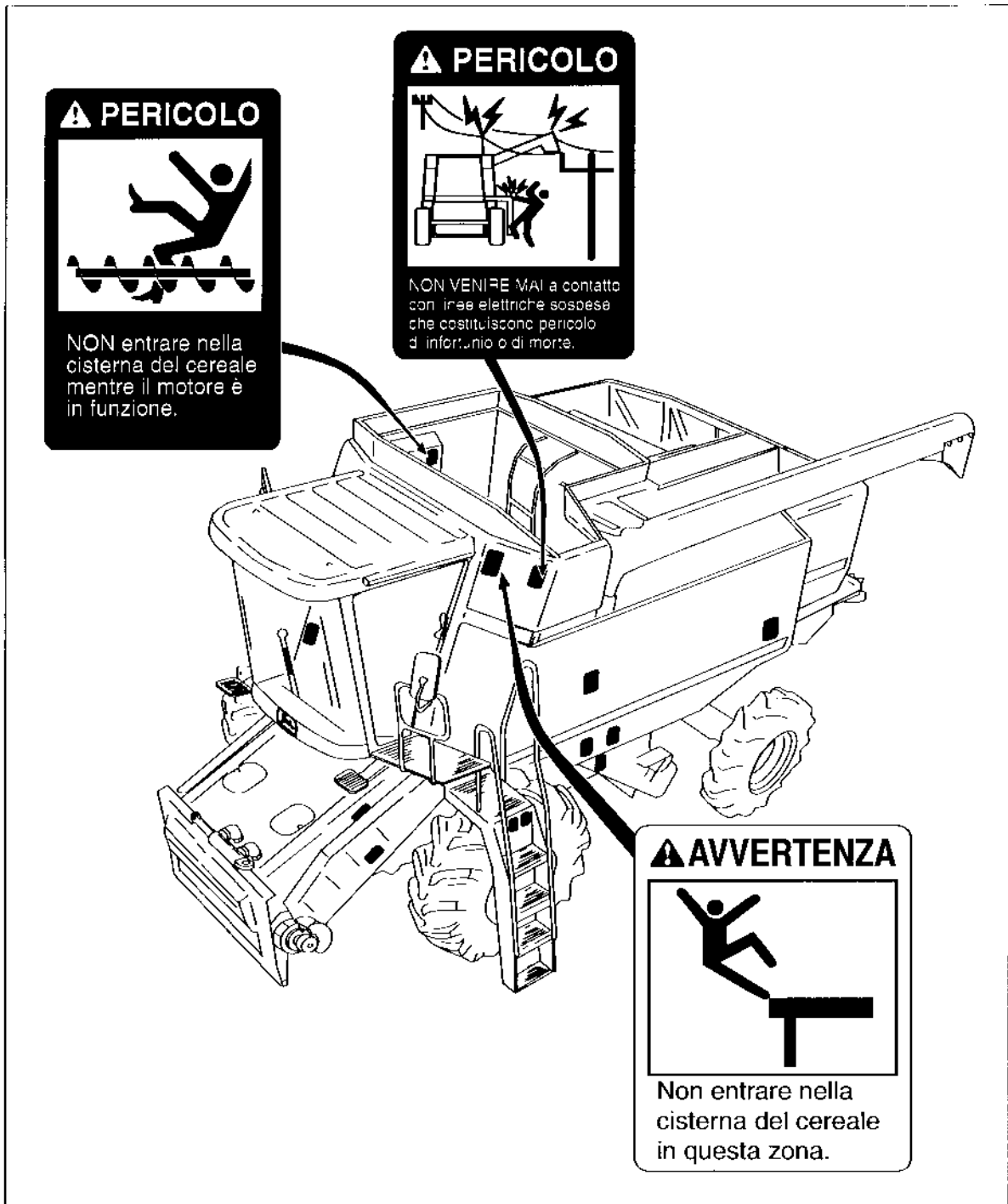
DECALS, BELTS AND CHAINS

SAFETY DECALS AND LOCATIONS - ITALIAN - CONTINUED

KEY	PART NO.	PART NAME	QTY	SERIAL NO.	REMARKS
1	AH155618	KIT	1		

5F9

SAFETY DECALS AND LOCATIONS - ITALIAN
HP6172 -39-20SEP95



HP6172

5F10

DECALS, BELTS AND CHAINS

SAFETY DECALS AND LOCATIONS - ITALIAN - CONTINUED

KEY	PART NO.	PART NAME	QTY	SERIAL NO.	REMARKS
1	AH155618	KIT	1		

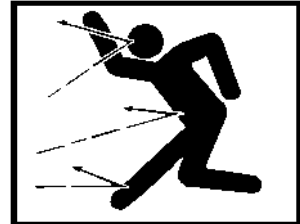
5F11

DECALS, BELTS AND CHAINS

SAFETY DECALS AND LOCATIONS - ITALIAN
HP6173 -39-20SEP95

ATTENZIONE ACCOPPIARE FRA LORO PEDALI DEL FRENO PER LA MARCA SU STRADA

AVVERTENZA



Tenersi a distanza quando il motore è in funzione.

PERICOLO



Arrestare il motore e togliere la chiavetta prima di aprire gli sportelli per la pulizia.

PERICOLO

A black silhouette of a person falling backwards from a tilted surface. A downward arrow indicates the direction of the fall.

Abbassare la testata fino a terra oppure bloccare con l'arresto di sicurezza, situato sul cilindro del martinetto sinistro di sollevamento del collo alimentatore, prima di avventurarsi sotto la testa.

HP6173

1

5F12

DECALS, BELTS AND CHAINS

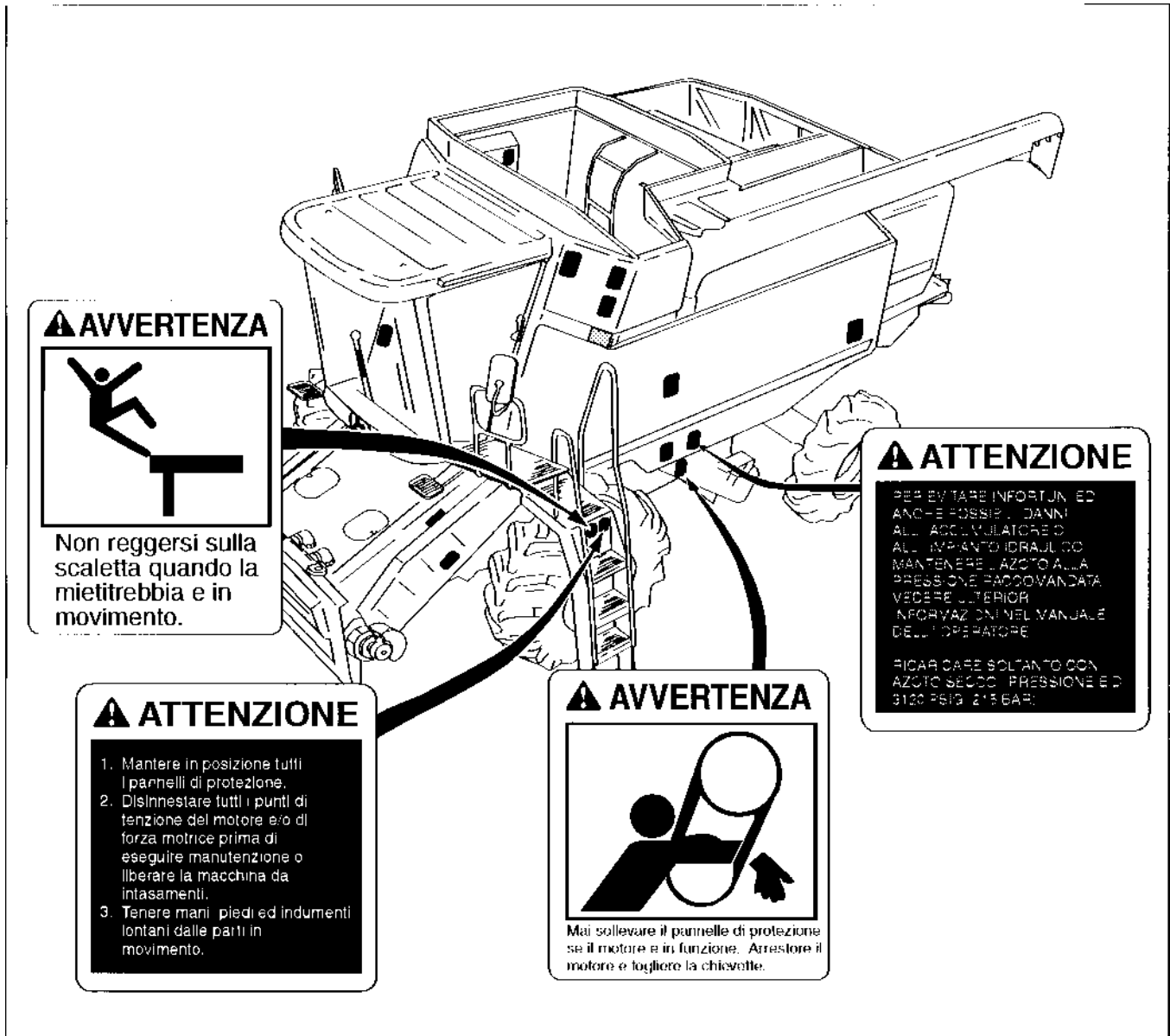
SAFETY DECALS AND LOCATIONS - ITALIAN - CONTINUED

KEY	PART NO.	PART NAME	QTY	SERIAL NO.	REMARKS
1	AH155618	KIT	1		

5F13

DECALS, BELTS AND CHAINS

SAFETY DECALS AND LOCATIONS - ITALIAN
HP6174 -39-20SEP95



HP6174

5F14

DECALS, BELTS AND CHAINS

SAFETY DECALS AND LOCATIONS - ITALIAN - CONTINUED

KEY	PART NO.	PART NAME	QTY	SERIAL NO.	REMARKS
1	AH155618	KIT	1		

5F15

SAFETY DECALS AND LOCATIONS - ITALIAN
HP6176 -39-20SEP95



⚠ PERICOLO

Per rimuovere completamente il modulo dalla macchina, usare attrezzi adatti ed una opportuna attrezzatura di sollevamento.

Consultare il Manuale dell'operatore



⚠ ATTENZIONE

RISCHIO DI IMPIGLIO
—PARTI IN MOVIMENTO—

SPEGNERE IL MOTORE E
TOGLIERE LA CHIAVETTA
PRIMA DI APRIRE LO
SPORTELLO.

HP6176

5F16

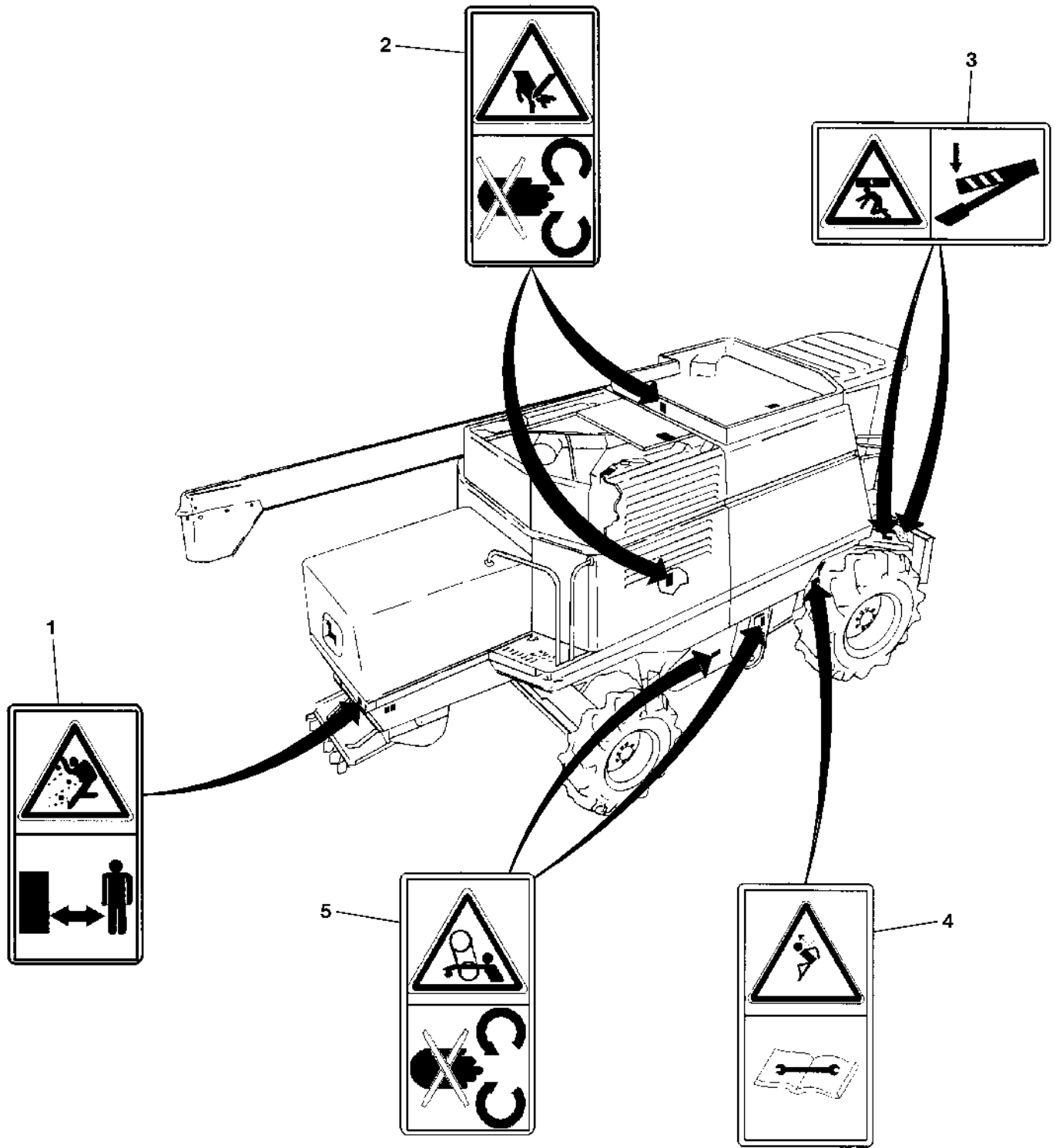
DECALS, BELTS AND CHAINS

SAFETY DECALS AND LOCATIONS - ITALIAN - CONTINUED

KEY	PART NO.	PART NAME	QTY	SERIAL NO.	REMARKS
1	AH155618	KIT	1		

5F17

SAFETY DECALS AND LOCATIONS - RUSSIAN
HP7182 -UN-08OCT97



HP7182

5F18

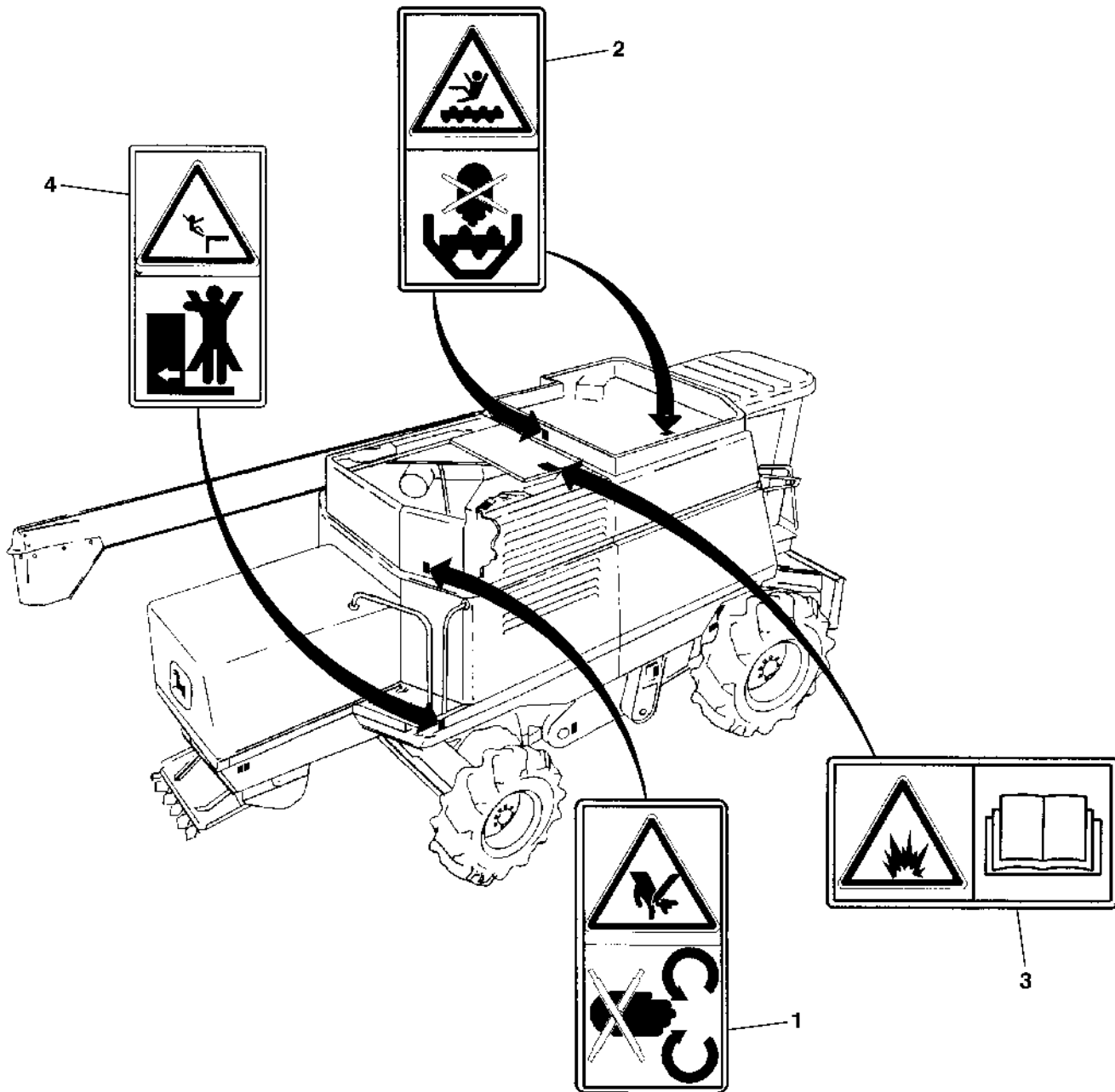
DECALS, BELTS AND CHAINS

SAFETY DECALS AND LOCATIONS - RUSSIAN - CONTINUED

KEY	PART NO.	PART NAME	QTY	SERIAL NO.	REMARKS
1	Z60329	LABEL	1		STRAW CHOPPER
2	Z60332	LABEL	2		HAND ENTANGLEMENT
3	H151671	LABEL	2		REEL LIFT
4	H152238	MEDALLION	1		CYCLINDER SPRING
5	Z60326	LABEL	2		BELT ENTANGLEMENT

5F19

SAFETY DECALS AND LOCATIONS - RUSSIAN
HP7183 -UN-08OCT97



HP7183

5F20

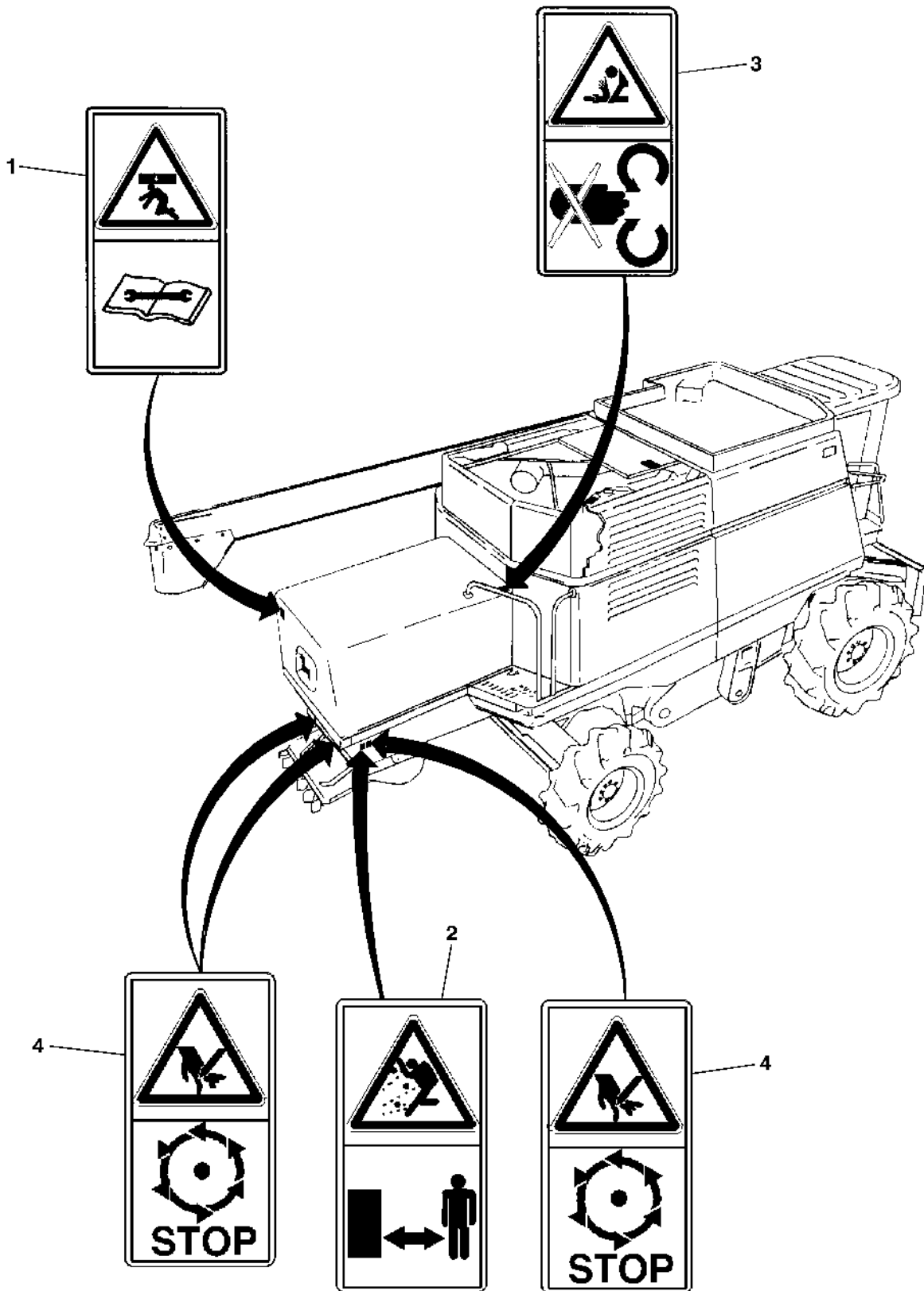
DECALS, BELTS AND CHAINS

SAFETY DECALS AND LOCATIONS - RUSSIAN - CONTINUED

KEY	PART NO.	PART NAME	QTY	SERIAL NO.	REMARKS
1	Z60332	LABEL	1		HAND ENTANGLEMENT
2	Z60327	LABEL	2		GRAIN TANK
3	H152240	MEDALLION	1		RADIATOR
4	L64995	LABEL	1		LADDER LANDING

5F21

SAFETY DECALS AND LOCATIONS - RUSSIAN
HP7193 -UN-08OCT97



HP7193

5F22

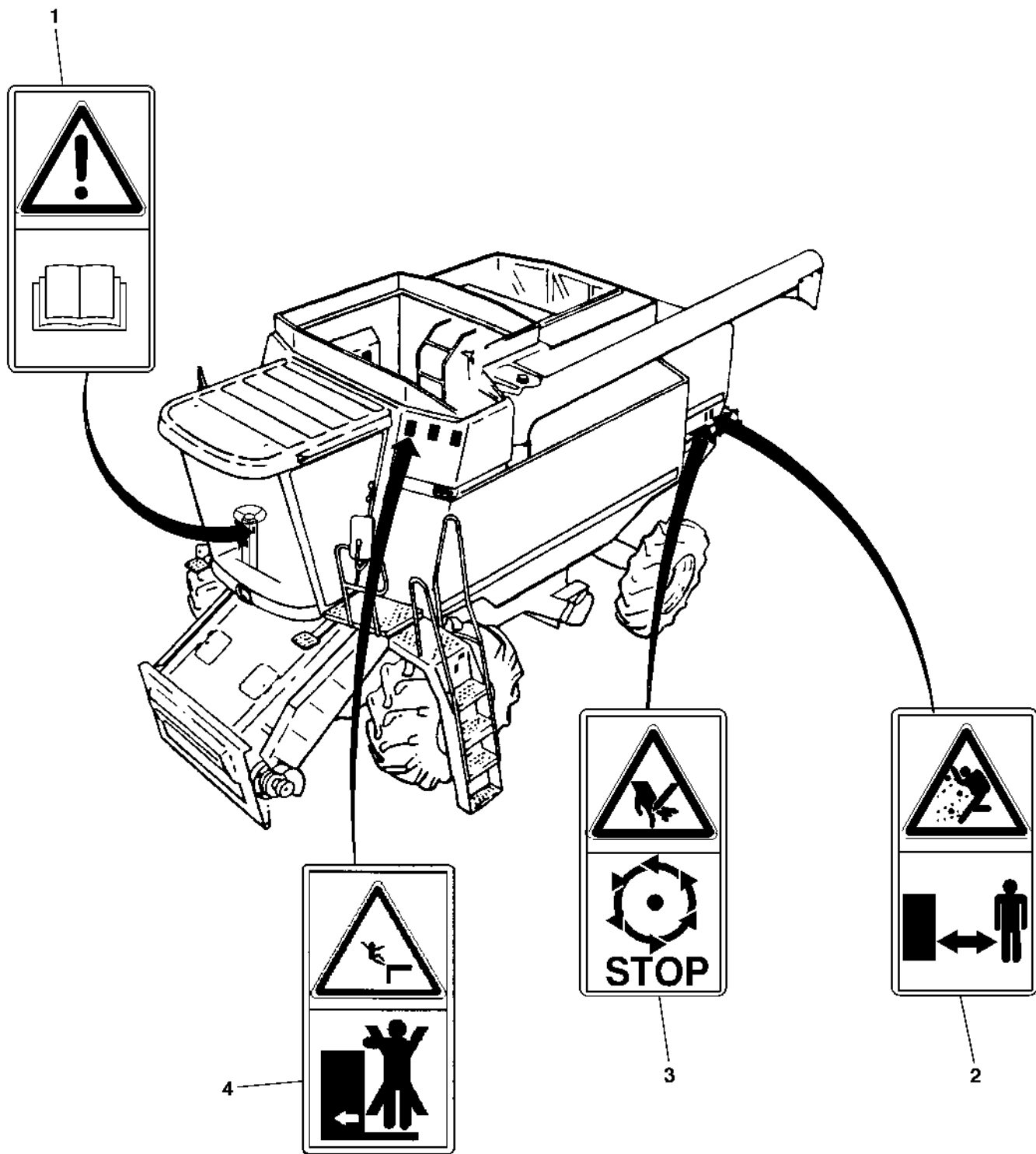
DECALS, BELTS AND CHAINS

SAFETY DECALS AND LOCATIONS - RUSSIAN - CONTINUED

KEY	PART NO.	PART NAME	QTY	SERIAL NO.	REMARKS
1	H152241	MEDALLION	1		MODULE REMOVAL
2	Z60329	LABEL	1		STRAW CHOPPER
3	H152242	LABEL	1		MODULE DRIVE
4	Z59868	LABEL	3		DISENGAGE POWER

5F23

SAFETY DECALS AND LOCATIONS - RUSSIAN
HP7185 -UN-08OCT97



HP7185

5F24

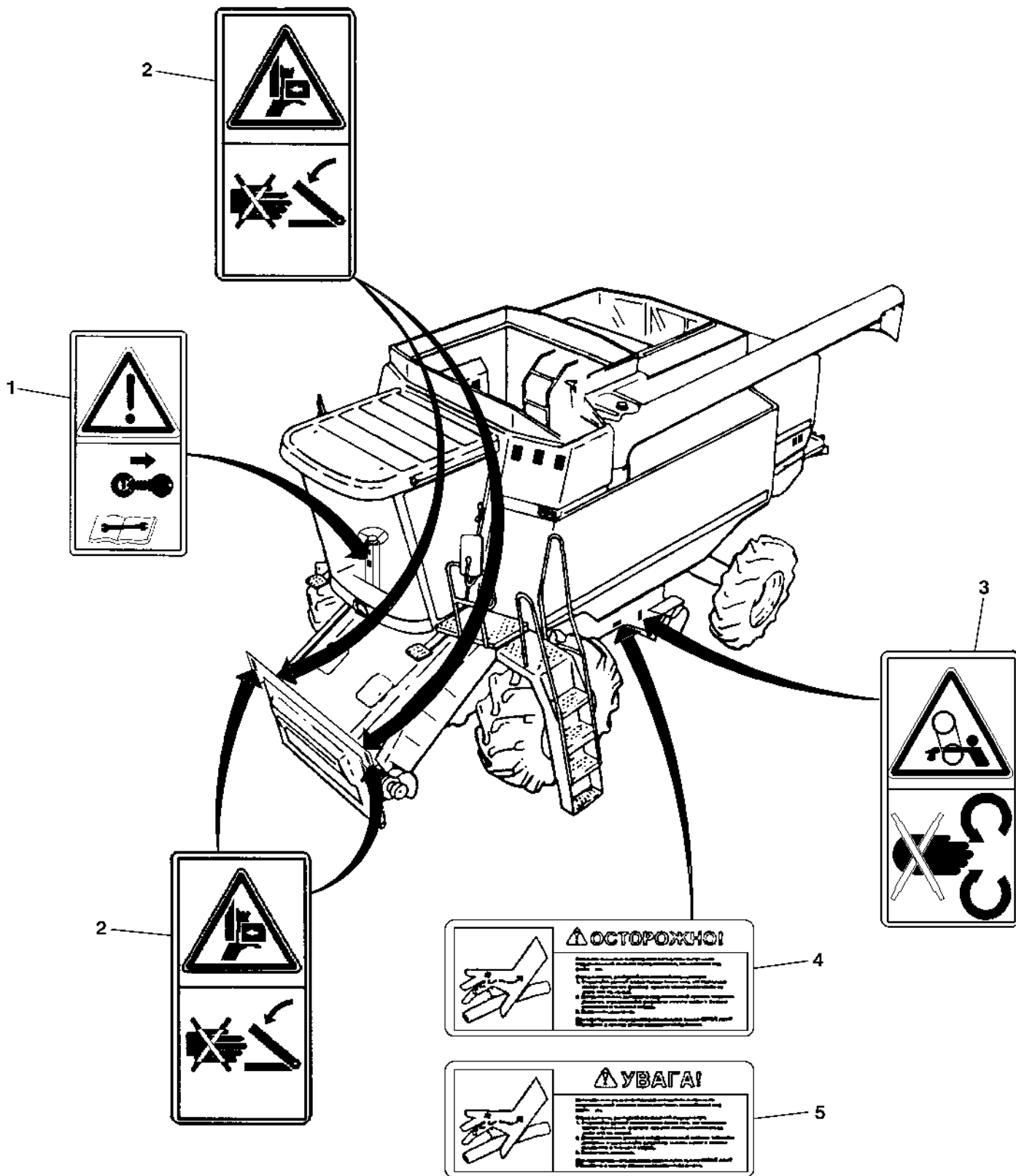
DECALS, BELTS AND CHAINS

SAFETY DECALS AND LOCATIONS - RUSSIAN - CONTINUED

KEY	PART NO.	PART NAME	QTY	SERIAL NO.	REMARKS
1	CC40740	DECAL	1		STEERING COLUMN
2	Z60329	LABEL	1		STRAW CHOPPER
3	Z59868	LABEL	1		DISENGAGE POWER
4	L64995	LABEL	2		LADDER LANDING

5G1

SAFETY DECALS AND LOCATIONS - RUSSIAN
HP7186 -UN-08OCT97



HP7186

5G2

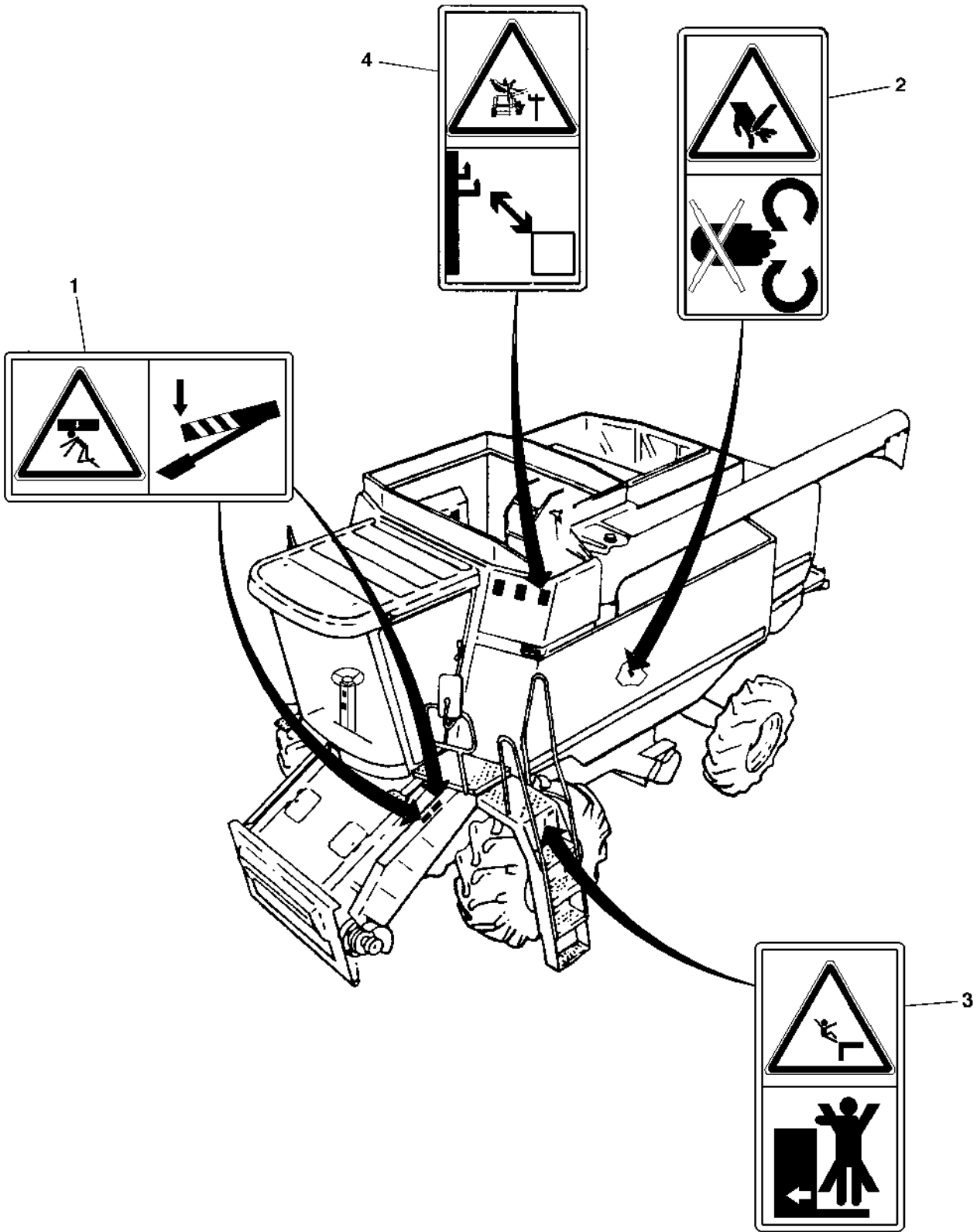
DECALS, BELTS AND CHAINS

SAFETY DECALS AND LOCATIONS - RUSSIAN - CONTINUED

KEY	PART NO.	PART NAME	QTY	SERIAL NO.	REMARKS
1	Z59872	LABEL	1		ENGINE
2	H154128	LABEL	4		LATERAL TILT (USED ON CONTOUR MASTER ONLY)
3	Z60326	LABEL	1		BELT ENTANGLEMENT
4	H152243	MEDALLION	1		(SUB FOR H157303) ACCUMULATOR

5G3

SAFETY DECALS AND LOCATIONS - RUSSIAN
HP7187 -UN-08OCT97



HP7187

5G4

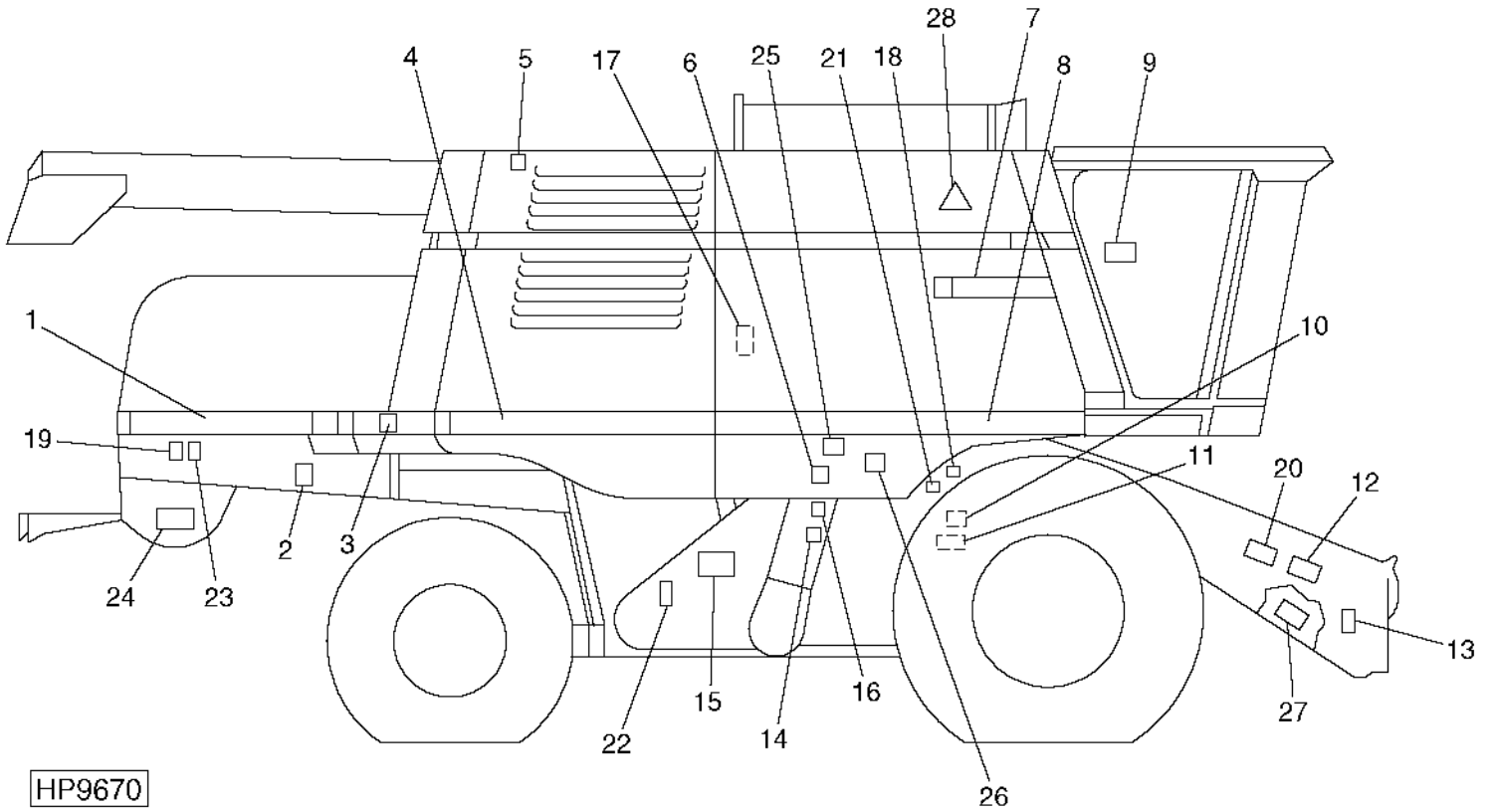
DECALS, BELTS AND CHAINS

SAFETY DECALS AND LOCATIONS - RUSSIAN - CONTINUED

KEY	PART NO.	PART NAME	QTY	SERIAL NO.	REMARKS
1	H151671	LABEL	2		REEL LIFT
2	Z60332	LABEL	1		HAND ENTANGLEMENT
3	L64995	LABEL	1		LADDER LANDING
4	H152239	MEDALLION	1		ELECTRIC SHOCK

5G5

RIGHT-HAND DECALS
HP9670 -UN-03APR00



5G6

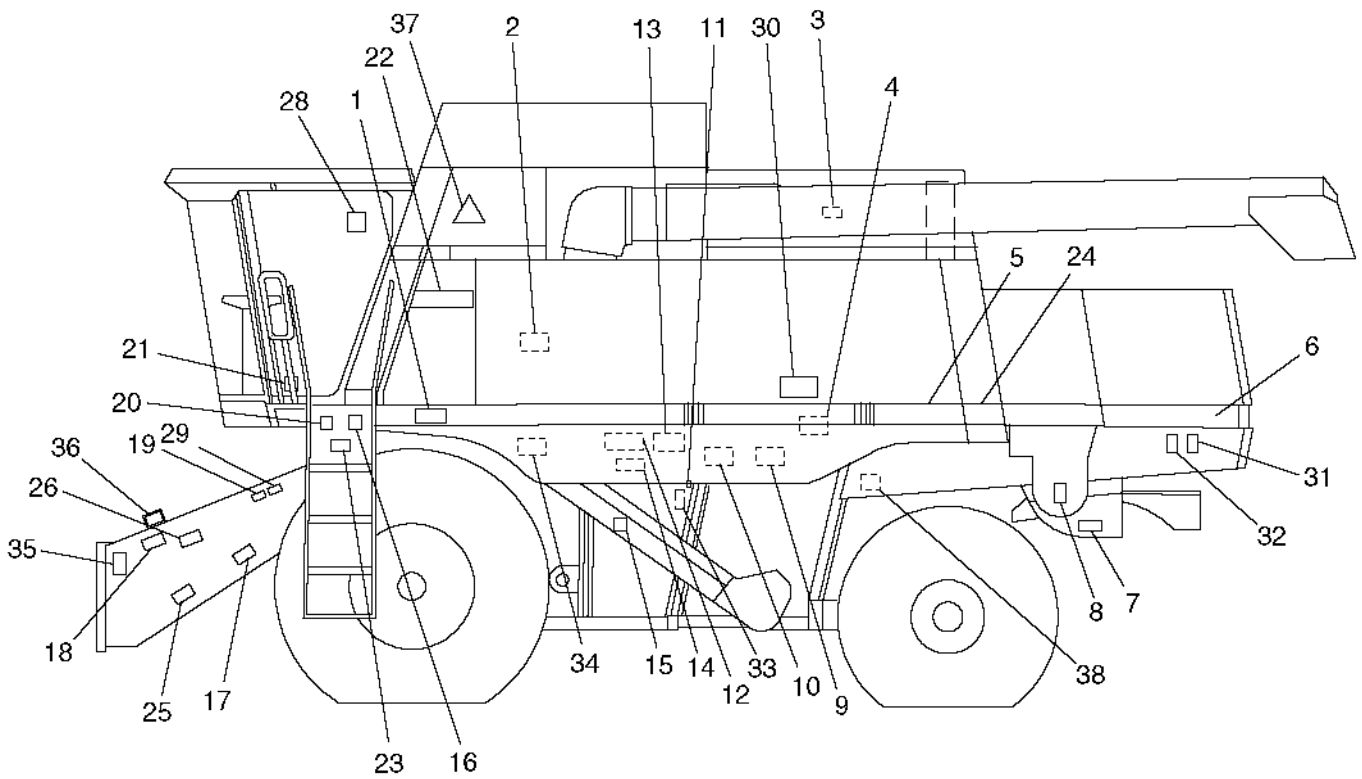
DECALS, BELTS AND CHAINS

RIGHT-HAND DECALS - CONTINUED

KEY	PART NO.	PART NAME	QTY	SERIAL NO.	REMARKS
1	H162066	LABEL	1		"STYLING"
2	H149096	LABEL	1		"PROJECTILE WARNING"
	H139036	LABEL	1		(KIT AH143684) ITALIAN; "PROJECTILE WARNING"
3	L64995	LABEL	1		"LADDER LANDING (FALLING)"
	LABEL	1		(KIT AH143684) ITALIAN; "LADDER WARNING"
4	H162061	LABEL	2		STYLING "JOHN DEERE"
5	H157327	LABEL	1		"ROTARY SCREEN BELT"
6	H157331	LABEL	1		"CLEAN GRAIN ELEVATOR BELT"
	H139392	LABEL	1		"CLEAN GRAIN ELEVATOR BELT"
	LABEL	1		(KIT AH143684) ITALIAN; "CLEAN GRAIN ELEVATOR BELT"
7	H162080	LABEL	1		R.H. SIDE RICE MAXIMIZER
	H162082	LABEL	1		R.H. SIDE GRAIN MAXIMIZER
8	H162077	LABEL	1		"STYLING"
9	H134535	LABEL	1		"EMERGENCY EXIT"
10	H149037	DECAL	1		"WARNING"
	LABEL	1		(KIT AH143684) ITALIAN; "WARNING"
11	H114270	DECAL	1		"DUAL RANGE"
	LABEL	1		(KIT AH143684) ITALIAN; "WARNING"
	LABEL	1		(KIT AH143684) ITALIAN; "WARNING"
12	H151671	LABEL	1		"REEL LIFT"
	LABEL	1		(KIT AH143684) ITALIAN; "HEADER DANGER"
13	H157345	LABEL	1		"FOR DRUM HEIGHT ADJUSTMENT"
	H123351	LABEL	1		"FEEDER DRUM HEIGHT ADJUSTMENT"
	LABEL	1		(KIT AH143684) ITALIAN; "FEEDER DRUM HEIGHT ADJUSTMENT"
14	H149099	DECAL	1		"WARNING"
	LABEL	1		(KIT AH143684) ITALIAN; "WARNING"
15	H144254	LABEL	1		"LUBE CHART,R.H."
16	Z60326	LABEL	1		"BELT ENTANGLEMENT"
17	Z60332	LABEL	1		"HAND ENTANGLEMENT"
18	H152238	MEDALLION	1		"CYLINDER SPRING"
19	Z60329	LABEL	1		"STRAW CHOPPER DISCHARGE"
20	H151671	LABEL	1		"REEL LIFT"
21	H157351	DECAL	1		INSTRUCTION (DUAL RANGE CYLINDER DRIVE OPTIOPN)
22	Z60326	LABEL	1		"BELT ENTANGLEMENT"
23	Z59868	LABEL	1		"DISENGAGE POWER"
24	H160268	LABEL	1		"CHOPPER POSITION"
	H139389	LABEL	1		"CHOPPER POSITION"
25	H157329	LABEL	1		"WALKER SHOE AND AUGER DRIVE"
	H139393	LABEL	1		"WALKER SHOE AND AUGER DRIVE"
26	H151318	SIGN	1		
27	H164537	SIGN	1		"DANGER" AIR FLOW FEEDERHOUSE OUTLET
28	H163216	LABEL	1		COMBINES WITH GREENSTAR
..	H149142	LABEL	1		EXPORT ONLY - ITALIAN
..	H149357	LABEL	1		ITALIAN; "OILO"

5G7

LEFT-HAND DECALS
HP9671 -UN-12APR00



HP9671

LEFT-HAND DECALS - CONTINUED

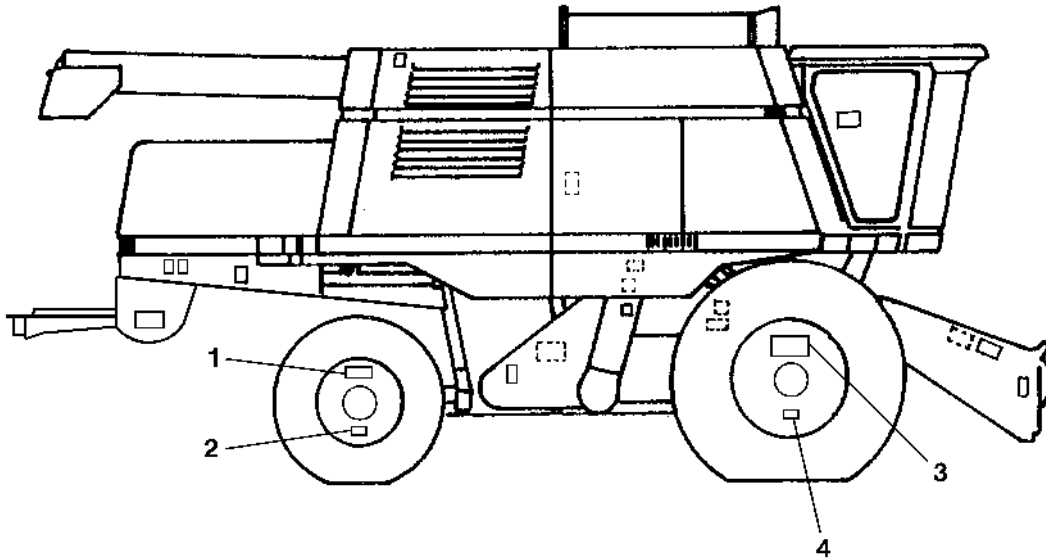
KEY	PART NO.	PART NAME	QTY	SERIAL NO.	REMARKS
1	H162078	LABEL	1		"CTS"
2	Z60332	LABEL	1		"HAND ENTANGLEMENT"
	LABEL	1		(KIT AH143684) ITALIAN; "AUGER WARNING"
3	H144253	LABEL	1		LUBE CHART
4	H157349	LABEL	1		HYDRAULIC RESERVOIR
	H110923	LABEL	1		HYDRAULIC RESERVOIR
	LABEL	1		(KIT AH143684) EXPORT ONLY - ITALIAN - HYDRAULIC RESERVOIR
5	H162064	LABEL	1		"STYLING PANEL"
	LABEL	1		(KIT AH143684) ITALIAN; "ROTARY SCREEN BELT"
6	H162065	LABEL	1		"STYLING PANEL"
	LABEL	1		(KIT AH143684) ITALIAN; SHOE AND AUGER DRIVE
7	H139389	LABEL	2		"CHOPPER POSITION"
	H160268	LABEL	1		"CHOPPER POSITION"
	LABEL	2		(KIT AH143684) ITALIAN; "CHOPPER POSITION"
8	H149096	LABEL	1		"PROJECTILE WARNING"
	H139036	LABEL	1		(KIT AH143684) ITALIAN; "PROJECTILE WARNING"
9	H128315	LABEL	1		"DIAGNOSTIC PORTS"
	H157289	DECAL	1		"EH VALVE STACK"
	LABEL	1		(KIT AH143684) ITALIAN; "DIAGNOSTIC PORTS"
10	H150763	LABEL	1		"INSTRUCTION" DIAGNOSTIC PORTS STACK VALVE
	H157293	LABEL	1		"DIAGNOSTIC LOCATIONS"
	LABEL	1		(KIT AH143684) ITALIAN; "EH VALVE STACK"
11	H80796	DECAL	1		"VARIABLE SPEED FAN HANDWHEEL"
12	H157339	DECAL	1		"ACCUMULATOR"
	H132811	LABEL	1		"ACCUMULATOR DECAL"
	LABEL	1		(KIT AH143684) ITALIAN; "ACCUMULATOR DECAL"
13	H157985	SIGN	1		"ACCUMULATOR WARNING"
14	H152243	MEDALLION	1		(SUB FOR H157303) "ACCUMULATOR WARNING"
	LABEL	1		(KIT AH143684) ITALIAN; "WARNING"
15	H149099	DECAL	1		"WARNING"
	H149143	LABEL	1		(KIT AH143684) ITALIAN; "WARNING"
16	H165266	LABEL	1		"TIRE LOADING"
	H173334	LABEL	1		(SUB FOR H160332 OR H167444) "TIRE LOADING" (RUSSIAN)
17	H160701	LABEL	1		"FEEDER HOUSE CHAIN ADJUSTMENT"
18	H137939	LABEL	1		"HARNES AND HOSE STORAGE"
	LABEL	1		(KIT AH143684) ITALIAN; "HARNES AND HOSE STORAGE"
19	H151671	LABEL	1		"REEL LIFT"
20	H149064	LABEL	1		"LADDER WARNING"
	LABEL	1		(KIT AH143684) ITALIAN; "LADDER WARNING"
21	H134767	LABEL	1		"BRAKE"
22	H162081	LABEL	1		L.H. SIDE RICE MAXIMIZER
	H162083	LABEL	1		L.H. SIDE GRAIN MAXIMIZER
23	L64995	LABEL	1		(KIT AH143684) "LADDER LANDING (FALLING)"
	LABEL	1		ITALIAN; "CAUTION"
24	H162079	LABEL	1		
25	H157335	LABEL	1		"HARNES AND HOSE STORAGE"
	LABEL	1		(KIT AH143684) ITALIAN; "HEADER DANGER"
26	H149063	LABEL	1		"HEADER DANGER"
	LABEL	1		(KIT AH143684) ITALIAN; "FEEDER HOUSE CHAIN LABEL"
27	LABEL	2		(KIT AH143684) ITALIAN; UNLOADING
28	H157347	LABEL	1		"UNLOADING"
	H111834	LABEL	1		"UNLOADING"
	H160459	LABEL	1	-XXXXXX	
29	H151671	LABEL	1		"REEL LIFT"
30	H144253	LABEL	1		"LUBE CHART, L.H."
31	Z60329	LABEL	1		"STRAW CHOPPER DISCHARGE" (PORTUGUESE)
32	Z59868	LABEL	1		"DISENGAGE POWER" (PORTUGUESE)
33	Z60326	LABEL	1		"BELT ENTANGLEMENT" (PORTUGUESE)
34	H157319	SIGN	1		"BEATER GRATE CURTAIN"
	H151318	SIGN	1		"BEATER GRATE CURTAIN"
35	H157345	LABEL	1		"DRUM HEIGHT ADJUSTMENT"
	H123351	LABEL	1		
36	H160797	LABEL	1		"FEEDER HOUSE CHAIN ADJUSTMENT"
37	H163216	LABEL	1		COMBINES WITH GREENSTAR
38	H169765	DECAL	1		(SUB FOR H163384) SHOE SETTING
	H165657	INSTRUCTION PLATE	1	675772-	"CLEANING SHOE SETTING" (RUSSIAN)
	H165658	INSTRUCTION PLATE	1	675772-	"CLEANING SHOE SETTING" (UKRAINIAN)
	H165656	INSTRUCTION PLATE	1	675772-	"CLEANING SHOE SETTING" (PORTUGUESE)

5G9

DECALS, BELTS AND CHAINS

FRONT AND REAR WHEEL DECALS

HP7190 -UN-08OCT97



HP7190

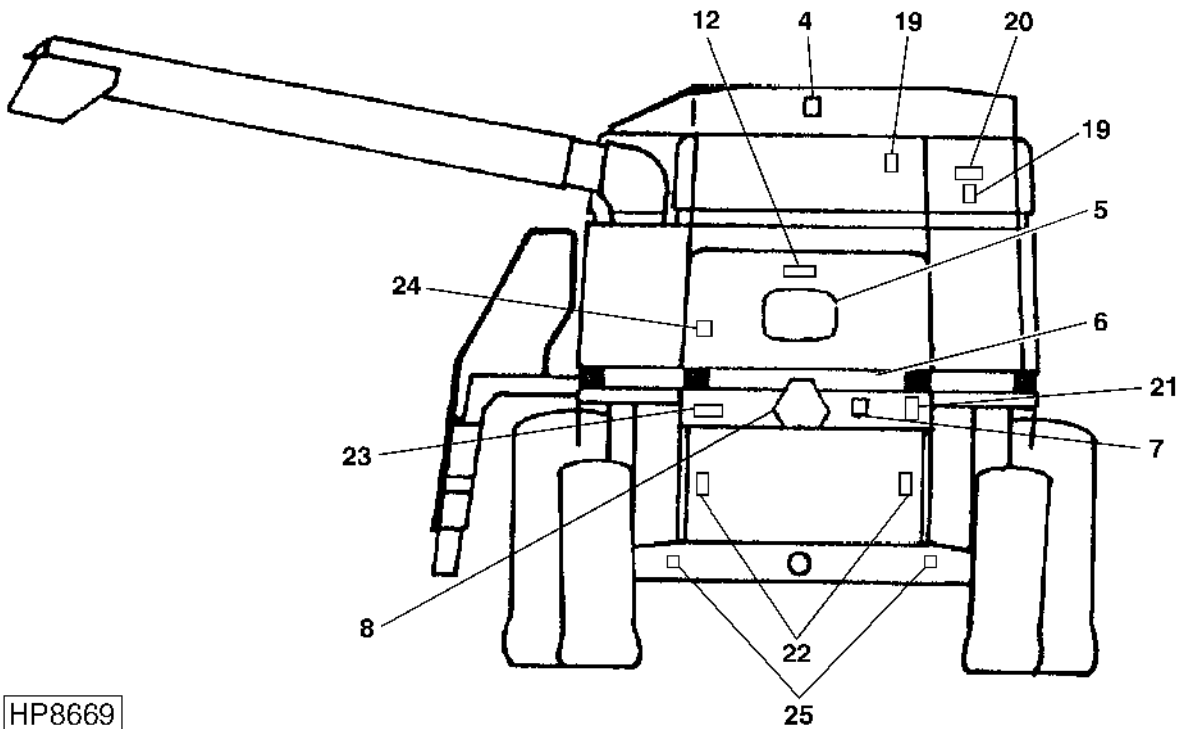
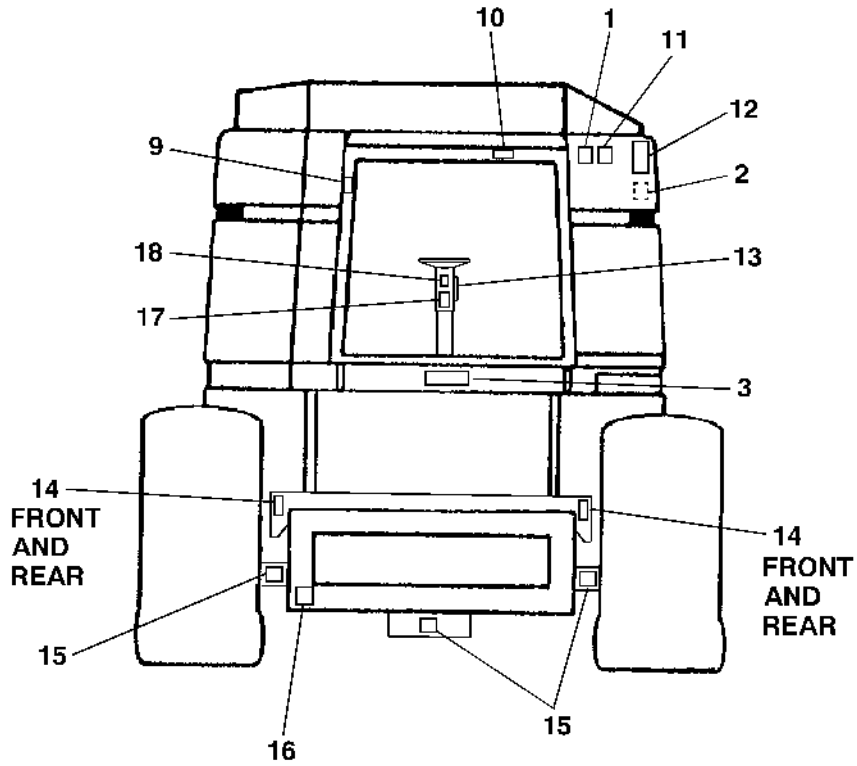
KEY	PART NO.	PART NAME	QTY	SERIAL NO.	REMARKS
1	H145995	LABEL	2		"IMPORTANT" WHEEL BOLT TORQUE 205 NM (150 LB-FT), REAR WHEELS
	H150646	DECAL	2		"IMPORTANT" 15 PSI (103 KPA) (28L X 26-10 OR 12 PLY TIRE) (68 X 50-32 16 PLY TIRE)
	H174266	LABEL	2		(SUB FOR H151575) "IMPORTANT" (28L X 26-10 OR 12 PLY TIRE)
	LABEL	1		ITALIAN; "IMPORTANT" WHEEL BOLT TORQUE 205 NM, REAR WHEELS
2	H157323	LABEL	2		"REAR WHEEL BOLT TORQUE"
	H140709	LABEL	2		"IMPORTANT" TIRE PRESSURE - 26 PSI (180 KPA)
	H108604	LABEL	2		"IMPORTANT" TIRE PRESSURE - 20 PSI (140 KPA)
	LABEL	2		(KIT AH143684) ITALIAN; "IMPORTANT" TIRE PRESSURE
	H157321	LABEL	2		"TIRE PRESSURE" (26 PSI)
	H160270	LABEL	2		"TIRE PRESSURE" (20 PSI)
3	H160448	LABEL	2		TIRE CLEARANCE
	H134442	LABEL	2		"WHEEL BOLT TORQUE"
	H157341	LABEL	2		"WHEEL BOLT TORQUE"
4	H108605	LABEL	2		"TIRE PRESSURE" 24 PSI (165 KPA)
	H108604	LABEL	2		"TIRE PRESSURE" 20 PSI (140 KPA)
	H140709	LABEL	2		"TIRE PRESSURE" 26 PSI (180 KPA)
	H149805	MEDALLION	1		ITALIAN
	H116640	LABEL	2		"IMPORTANT TIRE PRESSURE" 32 PSI (225 KPA) 24.5 X 32 - 12 PLY) (GRAIN)
5	H157321	LABEL	2		"TIRE PRESSURE" (26 PSI)
	H122573	DECAL	2	-1DEC97	"CAUTION" REMOVING DUAL WHEELS
	H158975	DECAL	2	1DEC97-	

MEMORANDA

5G10

DECALS, BELTS AND CHAINS

FRONT AND REAR DECALS
HP8669 -UN-21JUN99



HP8669

5G11

DECALS, BELTS AND CHAINS

FRONT AND REAR DECALS - CONTINUED

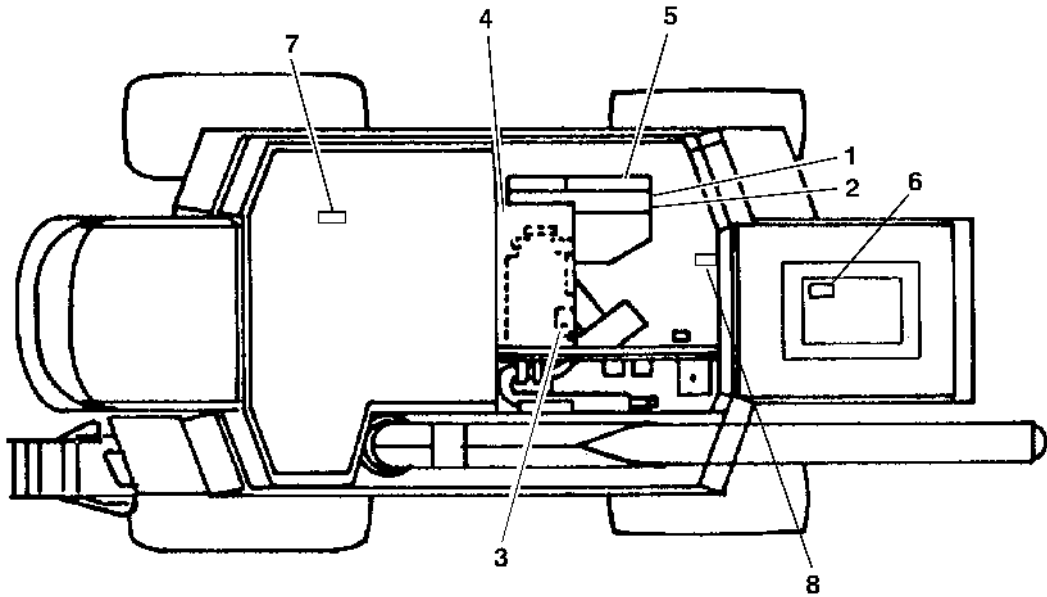
KEY	PART NO.	PART NAME	QTY	SERIAL NO.	REMARKS
1	L64995	LABEL	1		"LADDER LANDING (FALLING)"
	LABEL	1		(KIT AH143684) ITALIAN; "DANGER"
2	H149065	LABEL	1		"WARNING"
	LABEL	1		(KIT AH143684) ITALIAN; "WARNING"
3	H149480	LABEL	1		"LEAPING DEER"
4	Z60327	LABEL	1		"GRAIN TANK ENTANGLEMENT"
	LABEL	1		(KIT AH143684) ITALIAN; "DANGER"
5	JD5592	DECAL	1		"LEAPING DEER"
6	H162062	LABEL	1		"STYLING LABEL"
7	H149096	LABEL	1		"PROJECTILE WARNING"
	H149138	LABEL	1		ITALIAN; "PROJECTILE WARNING"
8	JD5400	SMV EMBLEM	1	-675552	"SMV DECAL"
	JD5927	SMV EMBLEM	1	675553-	"SMV DECAL"
	H134667	DEFLECTOR	1		
9	H161209	LABEL	1		(SUB FOR H157914) "EXIT"
10	H157916	SIGN	1		"CAUTION,SEAT BELT"
11	L64995	LABEL	2		"LADDER LANDING (FALLING)"
12	H160334	LABEL	1		"MODULE SERVICE"
13	CC40740	DECAL	1		"READ O.M."
14	H154128	LABEL	4		"LATERAL TILT"
15	H157317	LABEL	3		"FINAL DRIVE OIL LEVEL"
	H154332	LABEL	3		"OIL LEVEL"
16	H157347	LABEL	1		"UNLOADING"
	H111834	LABEL	1		"READ BEFORE UNLOADING"
17	Z59872	LABEL	1		"SHUT OFF ENGINE FOR SERVICING"
18	H161208	LABEL	1		(SUB FOR H157914) "BRAKE"
	H149068	LABEL	1		"BRAKE TRANSPORT INFO"
19	Z60332	LABEL	2		"HAND ENTANGLEMENT"
20	H157333	DECAL	1		"COOLING PKG CLEANOUT"
21	Z60329	LABEL	1		"STRAW CHOPPER DISCHARGE"
22	Z59868	LABEL	2		"DISENGAGE POWER"
23	H149104	LABEL	1		"CAUTION"
	LABEL	1		ITALIAN
24	H152241	MEDALLION	1		"MODULE REMARK"
25	H170211	SIGN	2		INSTRUCTION (HOSE ADJUSTMENT)

5G12

DECALS, BELTS AND CHAINS

TOP DECALS

HP7197 -UN-07OCT97



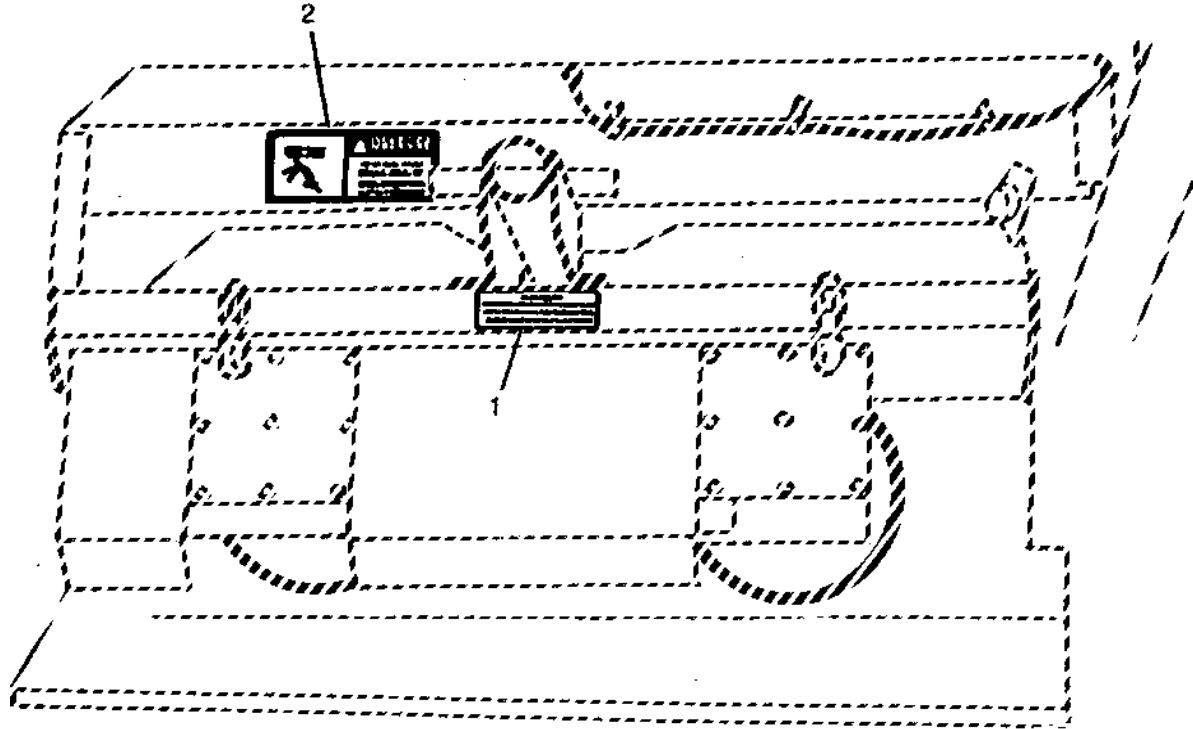
HP7197

KEY	PART NO.	PART NAME	QTY	SERIAL NO.	REMARKS
1	H137201	DECAL	1		
	LABEL	1		(KIT AH143684) EXPORT ONLY - ITALY
2	H149088	DECAL	1		"WARNING" FAN & ROTOARY SCREEN
	LABEL	2		(KIT AH143684) ITALIAN
3	H158011	DECAL	1		"INSTRUCTIONAL"
	LABEL	1		(KIT AH143684) ITALIAN
4	H149062	DECAL	1		"WARNING"
5	H152240	MEDALLION	1		"RADIATOR"
6	LABEL	1		(KIT AH143684) ITALIAN
7	Z60327	LABEL	1		"GRAIN TANK (ENTANGLEMENT)"
8	H152242	LABEL	1		"MODULE DRIVE"

5G13

DECALS, BELTS AND CHAINS

SEPARATOR MODULE SAFETY DECALS
 HP5344 -UN-01JAN94



HP5344

KEY	PART NO.	PART NAME	QTY	SERIAL NO.	REMARKS
1	H144279	LABEL	1		"IMPORTANT" MODULE SERVICE
	LABEL	1		(KIT AH143684) ITALIAN; "IMPORTANT" MODULE SERVICE
2	H149101	LABEL	1		"DANGER" MODULE REMOVAL
	LABEL	1		(KIT AH143684) ITALIAN; "DANGER" MODULE REMOVAL

MEMORANDA

NUMERICAL INDEX

PART NO.	GRID	KEY	PAGE	PART NO.	GRID	KEY	PAGE	PART NO.	GRID	KEY	PAGE
AA27536	1F20	10	40-7	AH106296	4G10	21	121-45	AH116104	2C2	25	50-21
AA27536	2F8	23	60-21	AH106606	5D10	11	130-57	AH116104	4H20	17	121-79
AA27536	3E22	10	90-31	AH106612	1G2	7	40-13	AH116105	1H16	1	40-53
AA27536	3G7	23	90-65	AH106612	1G4	12	40-15	AH116105	1H18	22	40-55
AA5607R	1B11	15	20-7	AH106612	1I22	5	40-83	AH116105	2I1	7	70-37
AA5607R	4C6	5	120-25	AH106612	1J20	5	40-105	AH116105	2J18	9	70-79
AA5607R	4E23	22	121-9	AH106618	3H8	2	110-5	AH116110	1G8	5	40-19
AA5607R	4G8	12	121-43	AH106933	2B11	17	50-5	AH116123	1E20	3	30-3
AA5607R	4G14	14	121-49	AH106982	1E20	20	30-3	AH116232	3I17	21	110-39
AA5607R	4H2	3	121-61	AH108080	2G15	2	70-3	AH116313	3F10	1	90-43
AA5607R	4H6	18	121-65	AH108161	3H6	17	110-3	AH116390	5D16	3	130-64
AA5607R	4J20	11	125-45	AH108299	3E6	11	90-15	AH116632	2H14	18	70-27
AA5607R	5C2	12	130-23	AH108299	5C8	40	130-29	AH116902	1G2	4	40-13
AB18206	2G15	3	70-3	AH108380	1F18	24	40-5	AH116902	2F8	40	60-21
AB5070R	4F18	22	121-29	AH108380	1F20	15	40-7	AH116902	3G7	40	90-65
AC11779	4J16	10	125-40	AH108380	2G15	10	70-3	AH117067	3F24	1	90-57
AC11779	5B12	10	130-7	AH108380	3E22	15	90-31	AH117277	5B8	28	130-3
AC14974	4J16	10	125-40	AH108801	4G2	5	121-37	AH117301	4F8	20	121-19
AC14974	5B12	10	130-7	AH108813	4G8	5	121-43	AH117418	2E2	15	50-73
AC15595	1F2	3	30-9	AH108816	2F8	2	60-21	AH117566	2F19	5	60-32
AD2062R	1H24	1	40-61	AH108816	3G7	2	90-65	AH117643	4F4	6	121-15
AE23516	3J8	5	110-55	AH10888	1B7	16	20-3	AH117782	1B16	3	20-12
AE23791	3F2	18	90-35	AH109056	4G2	43	121-37	AH118337	2D16	11	50-63
AE23791	3H10	18	110-7	AH109120	1G4	11	40-15	AH118337	2D20	10	50-67
AE26118	4C25	3	120-45	AH109120	1G4	18	40-15	AH118337	2I9	1	70-45
AE38021	2I15	37	70-51	AH109120	1G4	25	40-15	AH118993	5D15	8	130-63
AE38448	4G10	21	121-45	AH109120	1G4	28	40-15	AH119770	4H6	28	121-65
AE38734	2I15	16	70-51	AH109197	4C6	1	120-25	AH119770	4H16	9	121-75
AE41319	2I1	11	70-37	AH109788	1B9	9	20-5	AH120160	2J6	7	70-67
AE42998	5B25	6	130-21	AH109788	3I17	15	110-39	AH120216	3B24	8	80-19
AE44392	1H2	15	40-39	AH11015	4I22	6	125-21	AH120419	3E19	4	90-28
AE44392	1H4	15	40-41	AH110674	3F10	2	90-43	AH120444	1F20	11	40-7
AE44392	1H8	13	40-45	AH110887	4G2	31	121-37	AH120444	3E22	11	90-31
AE44927	1G21	8	40-33	AH111704	1G4	13	40-15	AH120445	1F20	13	40-7
AE44929	1J20	13	40-105	AH111705	1G4	16	40-15	AH120445	3E22	13	90-31
AE44930	1G19	6	40-31	AH111705	1G4	21	40-15	AH120446	3E19	5	90-28
AE44930	1G19	10	40-31	AH111705	1G4	23	40-15	AH120502	4B9	1	120-3
AE44930	1G19	11	40-31	AH112169	1G4	19	40-15	AH120541	3E8	6	90-17
AE44930	1H24	21	40-61	AH112189	1I16	8	40-77	AH120546	3G11	10	90-69
AE44931	1G19	8	40-31	AH112284	2F23	5	60-36	AH120547	3G11	19	90-69
AE44931	1J20	12	40-105	AH112401	2C5	2	50-24	AH120570	1F20	5	40-7
AE46699	4C8	16	120-27	AH112402	2C5	2	50-24	AH120570	3E22	5	90-31
AE49773	3J8	1	110-55	AH112435	5D8	3	130-55	AH120736	2C4	7	50-23
AE50995	2I15	35	70-51	AH112668	2C13	28	50-33	AH120737	4F6	32	121-17
AE50995	2I19	24	70-55	AH112675	2C13	29	50-33	AH120815	1B11	6	20-7
AF1466R	4G2	46	121-37	AH112675	2C14	10	50-34	AH120872	2F12	16	60-25
AH101202	2F19	7	60-32	AH112678	2C13	35	50-33	AH120876	2F12	17	60-25
AH101202	2F19	8	60-32	AH112678	2C20	18	50-41	AH120887	3D24	1	90-9
AH101202	2F19	10	60-32	AH112678	2C13	13	50-33	AH120890	3D24	7	90-9
AH101202	2F19	11	60-32	AH112680	2C13	13	50-33	AH120891	3D24	5	90-9
AH101202	2F19	12	60-32	AH112883	4G2	16	121-37	AH120907	4G10	10	121-45
AH101202	2F19	13	60-32	AH113139	4G6	11	121-41	AH121007	4G8	27	121-43
AH101202	2F19	15	60-32	AH113301	3F12	13	90-45	AH121007	4K6	3	125-57
AH101202	2F19	17	60-32	AH113392	5D4	10	130-51	AH121009	4B13	10	120-7
AH101202	2F19	18	60-32	AH114109	1E20	17	30-3	AH121009	4B13	29	120-7
AH101202	2F19	19	60-32	AH114882	4C2	4	120-21	AH121009	4B19	9	120-13
AH101202	2F19	19	60-32	AH115281	2B9	1	50-3	AH121009	4F24	10	121-35
AH101202	2F19	..	60-32	AH115487	2B9	15	50-3	AH121009	4K6	5	125-57
AH101202	2F20	11	60-33	AH115639	1B7	29	20-3	AH121009	4K8	1	125-59
AH104259	1G4	2	40-15	AH115797	1F18	5	40-5	AH121009	4K8	5	125-59
AH104783	4G14	19	121-49	AH115833	3E19	1	90-28	AH121046	4J25	21	125-51
AH104783	4G16	12	121-51	AH115836	3G11	8	90-69	AH121047	4J11	31	125-35
AH105040	3H8	23	110-5	AH115943	1I22	1	40-83	AH121190	1G4	8	40-15
AH106010	3E4	1	90-13	AH116006	2J6	9	70-67	AH121340	2F8	29	60-21
AH106010	3E4	2	90-13	AH116104	1G23	16	40-35	AH121340	3G7	29	90-65
AH106096	5D15	18	130-63	AH116104	1G25	16	40-37	AH121475	1H24	10	40-61
AH106110	4G10	7	121-45	AH116104	1H8	5	40-45	AH121475	1I2	3	40-63
AH106296	2H6	1	70-19	AH116104	1J16	12	40-101				

NUMERICAL INDEX - CONTINUED

PART NO.	GRID	KEY	PAGE	PART NO.	GRID	KEY	PAGE	PART NO.	GRID	KEY	PAGE
AH121475	5C12	19	130 - 33	AH125207	4F4	..	121 - 15	AH126008	4J22	33	125 - 47
AH121580	2B23	18	50 - 17	AH125207	4F8	3	121 - 19	AH126015	3B12	6	80 - 7
AH121605	2H18	4	70 - 31	AH125228	2B23	16	50 - 17	AH126016	3B12	8	80 - 7
AH121643	2G22	6	70 - 10	AH125233	2C5	6	50 - 24	AH126036	3G15	19	90 - 73
AH121658	4F18	13	121 - 29	AH125243	4F14	9	121 - 25	AH126091	3I11	11	110 - 33
AH122018	4F12	9	121 - 23	AH125243	4F14	17	121 - 25	AH126094	4G16	35	121 - 51
AH122099	3E16	3	90 - 25	AH125243	4F14	..	121 - 25	AH126119	4C19	3	120 - 38
AH122100	2G9	4	60 - 49	AH125243	4F16	..	121 - 27	AH126122	2I7	17	70 - 43
AH122244	3B18	8	80 - 13	AH125293	4F6	4	121 - 17	AH126169	2E4	7	50 - 75
AH122444	3G11	13	90 - 69	AH125293	4F6	..	121 - 17	AH126169	4J3	3	125 - 27
AH122451	4G8	14	121 - 43	AH125293	4F10	..	121 - 21	AH126188	4G16	24	121 - 51
AH122495	3H12	10	110 - 9	AH125306	3C21	1	80 - 41	AH126214	4D2	3	120 - 47
AH122506	5B8	26	130 - 3	AH125306	5C8	42	130 - 29	AH126239	4J11	32	125 - 35
AH122507	5C6	8	130 - 27	AH125454	3J4	3	110 - 51	AH126240	2I11	18	70 - 47
AH122575	2B17	8	50 - 11	AH125478	3C23	1	80 - 43	AH126242	2I11	21	70 - 47
AH122648	3F10	8	90 - 43	AH125478	5C8	23	130 - 29	AH126254	2F6	4	60 - 19
AH122717	5D8	2	130 - 55	AH125490	4F6	11	121 - 17	AH126265	3E4	..	90 - 13
AH122717	5D8	7	130 - 55	AH125505	3G11	24	90 - 69	AH126272	1H12	8	40 - 49
AH123014	1F22	4	40 - 9	AH125575	3B12	25	80 - 7	AH126275	5C8	9	130 - 29
AH123015	1F22	4	40 - 9	AH125627	1F18	1	40 - 5	AH126279	5C8	11	130 - 29
AH123016	1F22	4	40 - 9	AH125641	3D4	1	80 - 49	AH126281	5C22	4	130 - 43
AH123017	1F22	4	40 - 9	AH125644	3D4	17	80 - 49	AH126282	5C22	10	130 - 43
AH123602	5C24	11	130 - 45	AH125644	5C6	6	130 - 27	AH126283	5C22	6	130 - 43
AH123902	1G11	2	40 - 23	AH125654	2G2	5	60 - 41	AH126284	5C22	11	130 - 43
AH123904	1G11	35	40 - 23	AH125655	2G2	6	60 - 41	AH126352	3D6	21	80 - 51
AH123905	1G11	24	40 - 23	AH125658	2F19	22	60 - 32	AH126358	1F16	6	40 - 3
AH123907	1G11	21	40 - 23	AH125672	1H12	19	40 - 49	AH126388	4J11	18	125 - 35
AH123908	1G11	17	40 - 23	AH125673	1B11	5	20 - 7	AH126389	2H10	9	70 - 23
AH123910	1G11	27	40 - 23	AH125685	3B22	11	80 - 17	AH126417	3H22	30	110 - 19
AH123911	1G11	29	40 - 23	AH125686	3B12	11	80 - 7	AH126538	4G12	3	121 - 47
AH123912	5C20	4	130 - 41	AH125688	4F12	7	121 - 23	AH126541	1I2	7	40 - 63
AH123931	1G13	3	40 - 25	AH125692	4D2	5	120 - 47	AH126619	5C6	14	130 - 27
AH124008	2D16	9	50 - 63	AH125692	4D2	7	120 - 47	AH126620	3D6	5	80 - 51
AH124008	2D20	8	50 - 67	AH125693	4D2	5	120 - 47	AH126657	2F4	14	60 - 17
AH124050	4G20	3	121 - 55	AH125693	4D2	7	120 - 47	AH126657	2F14	10	60 - 27
AH124502	5C2	19	130 - 23	AH125733	2H23	2	70 - 36	AH126657	2G17	6	70 - 5
AH124509	5C25	10	130 - 46	AH125744	1H8	2	40 - 45	AH126657	2H8	14	70 - 21
AH124573	4C2	9	120 - 21	AH125744	1H12	1	40 - 49	AH126657	2H12	8	70 - 25
AH124635	4H10	5	121 - 69	AH125760	2C15	22	50 - 35	AH126657	2H14	5	70 - 27
AH124731	2I15	3	70 - 51	AH125760	2C16	22	50 - 36	AH126657	2H16	16	70 - 29
AH124731	2I17	3	70 - 53	AH125760	2C20	22	50 - 41	AH126677	4J11	13	125 - 35
AH124731	2I18	3	70 - 54	AH125760	2G19	18	70 - 7	AH126719	4B13	13	120 - 7
AH124731	2I19	3	70 - 55	AH125760	2I21	2	70 - 57	AH126720	4B13	12	120 - 7
AH124731	2I21	18	70 - 57	AH125760	2I23	2	70 - 59	AH126811	1G4	5	40 - 15
AH124731	2I23	20	70 - 59	AH125760	2I25	21	70 - 61	AH126837	5D12	19	130 - 59
AH124826	4G14	2	121 - 49	AH125760	2J18	11	70 - 79	AH126837	5E5	2	170 - 4
AH124828	4G14	16	121 - 49	AH125760	4I24	18	125 - 23	AH126865	4J20	13	125 - 45
AH124832	2H14	21	70 - 27	AH125782	3H12	14	110 - 9	AH126871	4B19	..	120 - 13
AH124852	5C18	4	130 - 39	AH125782	3J6	25	110 - 53	AH126880	4B21	9	120 - 15
AH124857	3F24	13	90 - 57	AH125788	3B24	16	80 - 19	AH127275	3C23	6	80 - 43
AH124878	5C18	3	130 - 39	AH125814	5C8	36	130 - 29	AH127383	3F2	14	90 - 35
AH124882	3E8	11	90 - 17	AH125820	3C18	10	80 - 37	AH127383	3H10	14	110 - 7
AH124940	2B9	5	50 - 3	AH125895	4J25	9	125 - 51	AH127390	3F24	8	90 - 57
AH125010	1G19	13	40 - 31	AH125910	2H22	18	70 - 35	AH127465	4D6	1	120 - 51
AH125010	1G21	13	40 - 33	AH125910	5D22	5	160 - 2	AH127465	4D14	3	120 - 59
AH125010	2B21	9	50 - 15	AH125910	5D23	18	160 - 3	AH127466	4D14	3	120 - 59
AH125010	3E24	10	90 - 33	AH125958	2B21	15	50 - 15	AH127466	4D16	1	120 - 61
AH125070	5D12	15	130 - 59	AH125958	3E24	16	90 - 33	AH127604	5D16	11	130 - 64
AH125070	5D12	16	130 - 59	AH125969	4D18	9	120 - 63	AH127662	3F6	8	90 - 39
AH125080	5C16	21	130 - 37	AH125969	4D24	12	120 - 69	AH127674	3D20	2	90 - 5
AH125163	4D22	3	120 - 67	AH125970	4D18	9	120 - 63	AH127684	3G15	6	90 - 73
AH125193	4F20	37	121 - 31	AH125970	4D24	12	120 - 69	AH127685	3G15	7	90 - 73
AH125193	4F20	39	121 - 31	AH125975	4D12	14	120 - 57	AH127704	3C23	8	80 - 43
AH125193	4F20	40	121 - 31	AH125975	4D18	16	120 - 63	AH127718	1F21	2	40 - 8
AH125201	4D18	12	120 - 63	AH126007	4J22	34	125 - 47	AH127718	1I3	4	40 - 64
AH125207	4F2	12	121 - 13	AH126007	4J25	20	125 - 51	AH127718	1J14	7	40 - 99
AH125207	4F2	..	121 - 13	AH126007	5E6	1	170 - 5	AH127726	4D2	2	120 - 47

NUMERICAL INDEX - CONTINUED

PART NO.	GRID	KEY	PAGE	PART NO.	GRID	KEY	PAGE	PART NO.	GRID	KEY	PAGE
AH127829	4B23	13	120 - 17	AH128727	5D22	1	160 - 2	AH130412	2E18	19	60 - 7
AH127837	3B22	13	80 - 17	AH128742	2I11	12	70 - 47	AH130413	2E18	20	60 - 7
AH127866	5D15	45	130 - 63	AH128753	2H18	21	70 - 31	AH130424	4C21	24	120 - 41
AH127866	5E6	4	170 - 5	AH128757	2E2	20	50 - 73	AH130425	4C21	9	120 - 41
AH127881	2D16	12	50 - 63	AH128779	2J12	12	70 - 73	AH130429	2F10	47	60 - 23
AH127881	2D18	15	50 - 65	AH128780	2J12	11	70 - 73	AH130429	3G9	47	90 - 67
AH127892	2I13	3	70 - 49	AH128785	1H18	23	40 - 55	AH130445	2E10	4	50 - 81
AH127963	4B19	..	120 - 13	AH128785	2J18	..	70 - 79	AH130447	2D24	12	50 - 71
AH127974	3G24	15	90 - 83	AH128842	2E18	22	60 - 7	AH130448	2I7	11	70 - 43
AH128037	5C8	15	130 - 29	AH128842	2E22	30	60 - 11	AH130449	2E4	3	50 - 75
AH128074	5D15	37	130 - 63	AH128843	2E18	23	60 - 7	AH130465	4B15	14	120 - 9
AH128075	5D15	37	130 - 63	AH128843	2E22	30	60 - 11	AH130477	4D2	21	120 - 47
AH128267	2B19	9	50 - 13	AH128853	2I13	5	70 - 49	AH130486	4D14	4	120 - 59
AH128313	4C25	31	120 - 45	AH128854	2J4	17	70 - 65	AH130497	3B16	17	80 - 11
AH128327	1F21	3	40 - 8	AH128855	2J4	16	70 - 65	AH130506	3B18	10	80 - 13
AH128328	1F21	3	40 - 8	AH128859	2H10	22	70 - 23	AH130560	2H14	14	70 - 27
AH128328	1I3	6	40 - 64	AH128865	1I12	13	40 - 73	AH130561	2H12	28	70 - 25
AH128328	1J14	1	40 - 99	AH128894	2J24	5	70 - 85	AH130561	2H14	2	70 - 27
AH128349	3D18	10	90 - 3	AH128903	4H2	5	121 - 61	AH130563	2H8	8	70 - 21
AH128357	2B21	17	50 - 15	AH128904	1G4	9	40 - 15	AH130564	2H8	4	70 - 21
AH128357	3E24	18	90 - 33	AH128914	3C18	15	80 - 37	AH130567	2I9	10	70 - 45
AH128359	4H10	5	121 - 69	AH128924	5D25	11	160 - 5	AH130568	2I9	8	70 - 45
AH128360	4C10	7	120 - 29	AH128925	1G8	17	40 - 19	AH130570	4J11	28	125 - 35
AH128361	4C10	9	120 - 29	AH128925	3G13	6	90 - 71	AH130570	4J16	9	125 - 40
AH128384	4G22	1	121 - 57	AH128926	1G8	7	40 - 19	AH130571	4J16	3	125 - 40
AH128391	2C8	5	50 - 27	AH128926	3G13	2	90 - 71	AH130572	4J11	24	125 - 35
AH128413	1I13	7	40 - 74	AH128929	1H2	18	40 - 39	AH130581	2J4	5	70 - 65
AH128449	2C15	24	50 - 35	AH128929	1H4	18	40 - 41	AH130582	4F18	4	121 - 29
AH128449	2C16	24	50 - 36	AH128929	2J24	11	70 - 85	AH130586	3E18	14	90 - 27
AH128449	2H23	1	70 - 36	AH128977	1F6	3	30 - 13	AH130594	3E6	6	90 - 15
AH128449	2J16	11	70 - 77	AH128986	1I2	22	40 - 63	AH130595	3E6	21	90 - 15
AH128449	2J16	12	70 - 77	AH129045	1H2	8	40 - 39	AH130602	1H10	12	40 - 47
AH128450	2J16	10	70 - 77	AH129045	1H4	8	40 - 41	AH130603	1H10	7	40 - 47
AH128451	2J16	5	70 - 77	AH129056	1E20	14	30 - 3	AH130605	2E18	16	60 - 7
AH128452	3F2	12	90 - 35	AH129056	1E24	6	30 - 7	AH130610	3G24	14	90 - 83
AH128452	3H10	12	110 - 7	AH129058	1E24	8	30 - 7	AH130611	2D24	7	50 - 71
AH128464	4D18	2	120 - 63	AH129236	2F10	39	60 - 23	AH130612	2E18	17	60 - 7
AH128528	2B23	1	50 - 17	AH129236	3G9	39	90 - 67	AH130613	2E18	18	60 - 7
AH128584	2H10	4	70 - 23	AH129244	2I11	4	70 - 47	AH130626	2B14	3	50 - 8
AH128585	3E2	13	90 - 11	AH129255	2F8	18	60 - 21	AH130627	2B14	3	50 - 8
AH128596	3C21	7	80 - 41	AH129255	3G7	18	90 - 65	AH130629	2I13	7	70 - 49
AH128597	3C23	12	80 - 43	AH129272	4C2	13	120 - 21	AH130871	2G2	12	60 - 41
AH128597	3D2	17	80 - 47	AH129280	2C22	15	50 - 43	AH130871	2G2	19	60 - 41
AH128598	3C23	10	80 - 43	AH129284	2C18	8	50 - 39	AH130884	4J18	3	125 - 42
AH128598	3D2	17	80 - 47	AH129357	5B10	9	130 - 5	AH130886	4J15	21	125 - 39
AH128610	3E12	14	90 - 21	AH129420	4G16	4	121 - 51	AH130890	2F12	8	60 - 25
AH128639	2I13	10	70 - 49	AH129420	4G20	11	121 - 55	AH130892	4J15	17	125 - 39
AH128640	2I13	8	70 - 49	AH129451	4C23	20	120 - 43	AH130936	2G23	5	70 - 11
AH128641	2J4	1	70 - 65	AH129451	4G16	44	121 - 51	AH130941	3C18	3	80 - 37
AH128642	2J4	12	70 - 65	AH129452	4C23	22	120 - 43	AH130944	3C18	7	80 - 37
AH128654	2D12	14	50 - 59	AH129452	4G16	46	121 - 51	AH130945	3C18	6	80 - 37
AH128654	2J19	14	70 - 80	AH130113	2H18	13	70 - 31	AH130949	2D12	6	50 - 59
AH128655	1H18	20	40 - 55	AH130119	2F12	9	60 - 25	AH130949	2D12	9	50 - 59
AH128655	2D12	6	50 - 59	AH130127	1E22	7	30 - 5	AH130949	2D12	12	50 - 59
AH128655	2D12	9	50 - 59	AH130136	4J22	4	125 - 47	AH130949	2D12	15	50 - 59
AH128655	2D12	12	50 - 59	AH130185	4D6	1	120 - 51	AH130949	2J19	6	70 - 80
AH128655	2D12	16	50 - 59	AH130193	3B24	15	80 - 19	AH130949	2J19	9	70 - 80
AH128655	2J18	28	70 - 79	AH130197	3C18	16	80 - 37	AH130949	2J19	12	70 - 80
AH128655	2J19	6	70 - 80	AH130198	5C8	5	130 - 29	AH130949	2J19	15	70 - 80
AH128655	2J19	9	70 - 80	AH130202	4B11	14	120 - 5	AH130964	4C8	6	120 - 27
AH128655	2J19	12	70 - 80	AH130222	1H2	2	40 - 39	AH130988	4C25	28	120 - 45
AH128655	2J19	16	70 - 80	AH130222	1H4	2	40 - 41	AH130996	4D16	4	120 - 61
AH128663	4J22	20	125 - 47	AH130223	1H2	2	40 - 39	AH131045	2E23	2	60 - 12
AH128664	4J22	24	125 - 47	AH130223	1H4	2	40 - 41	AH131045	2E23	4	60 - 12
AH128664	4J23	2	125 - 48	AH130230	1F2	2	30 - 9	AH131045	2E23	5	60 - 12
AH128672	2D11	1	50 - 58	AH130230	2F21	14	60 - 34	AH131045	2E23	6	60 - 12
AH128692	2E4	1	50 - 75	AH130370	5B14	12	130 - 9	AH131048	2E23	9	60 - 12

NUMERICAL INDEX - CONTINUED

PART NO.	GRID	KEY	PAGE	PART NO.	GRID	KEY	PAGE	PART NO.	GRID	KEY	PAGE
AH131049	2E23	9	60 - 12	AH131308	2C22	3	50 - 43	AH131860	5B25	18	130 - 21
AH131051	2E22	12	60 - 11	AH131308	2C22	6	50 - 43	AH131861	2B23	33	50 - 17
AH131054	2E22	19	60 - 11	AH131310	2C20	1	50 - 41	AH131862	2B25	17	50 - 19
AH131055	2E22	19	60 - 11	AH131310	2C20	16	50 - 41	AH131965	3B14	12	80 - 9
AH131058	2E22	7	60 - 11	AH131310	2C20	24	50 - 41	AH131965	4C18	2	120 - 37
AH131059	2E22	7	60 - 11	AH131310	2C20	..	50 - 41	AH132027	2G15	5	70 - 3
AH131062	2E22	28	60 - 11	AH131310	2E6	1	50 - 77	AH132031	4J3	4	125 - 27
AH131074	4J16	10	125 - 40	AH131311	2H16	6	70 - 29	AH132117	3E4	11	90 - 13
AH131166	4I4	16	125 - 3	AH131316	2F14	24	60 - 27	AH132117	3E4	13	90 - 13
AH131167	2C15	28	50 - 35	AH131320	1H13	5	40 - 50	AH132148	3E6	15	90 - 15
AH131168	2C18	28	50 - 39	AH131320	4E17	1	121 - 3	AH132188	2H14	14	70 - 27
AH131169	2C10	9	50 - 29	AH131326	2I15	33	70 - 51	AH132200	4J5	15	125 - 29
AH131169	2C20	2	50 - 41	AH131326	2I17	21	70 - 53	AH132203	2I3	22	70 - 39
AH131169	2C21	9	50 - 42	AH131326	2I18	19	70 - 54	AH132230	5D8	21	130 - 55
AH131170	2C15	15	50 - 35	AH131326	2I19	23	70 - 55	AH132230	5D8	24	130 - 55
AH131171	2C10	17	50 - 29	AH131326	2I21	9	70 - 57	AH132238	2C6	4	50 - 25
AH131171	2C20	3	50 - 41	AH131326	2I23	9	70 - 59	AH132239	2C6	4	50 - 25
AH131171	2C20	6	50 - 41	AH131331	4B21	3	120 - 15	AH132264	1G8	6	40 - 19
AH131171	2C20	7	50 - 41	AH131332	2G22	8	70 - 10	AH132264	3G15	1	90 - 73
AH131171	2C20	8	50 - 41	AH131334	2I1	3	70 - 37	AH132264	3G24	18	90 - 83
AH131171	2C20	10	50 - 41	AH131378	2H18	7	70 - 31	AH132356	4D4	8	120 - 49
AH131171	2C20	11	50 - 41	AH131381	2F4	30	60 - 17	AH132361	3B10	4	80 - 5
AH131171	2C20	13	50 - 41	AH131382	2F4	29	60 - 17	AH132361	4I18	11	125 - 17
AH131171	2C21	10	50 - 42	AH131385	2C10	..	50 - 29	AH132372	5B25	24	130 - 21
AH131172	2C13	29	50 - 33	AH131385	2C11	..	50 - 30	AH132372	5C2	21	130 - 23
AH131172	2C14	3	50 - 34	AH131385	2C13	..	50 - 33	AH132783	3E19	2	90 - 28
AH131172	2C14	5	50 - 34	AH131385	2E8	3	50 - 79	AH132787	4D14	3	120 - 59
AH131172	2C14	6	50 - 34	AH131385	2E8	6	50 - 79	AH132814	1E20	1	30 - 3
AH131172	2C14	7	50 - 34	AH131386	2C15	28	50 - 35	AH132819	3E4	12	90 - 13
AH131172	2C14	8	50 - 34	AH131387	2C10	17	50 - 29	AH132832	2G15	4	70 - 3
AH131172	2C14	9	50 - 34	AH131387	2C20	13	50 - 41	AH132840	2E22	24	60 - 11
AH131172	2C14	10	50 - 34	AH131387	2C21	10	50 - 42	AH132965	4D22	3	120 - 67
AH131174	2C22	15	50 - 43	AH131388	2C10	9	50 - 29	AH132966	4D22	3	120 - 67
AH131175	2E8	7	50 - 79	AH131388	2C20	12	50 - 41	AH132988	4I22	2	125 - 21
AH131175	2I25	26	70 - 61	AH131388	2C21	9	50 - 42	AH133088	3D24	..	90 - 9
AH131176	2J2	2	70 - 63	AH131391	2C13	3	50 - 33	AH133088	3H2	17	90 - 85
AH131176	2J2	4	70 - 63	AH131391	2C13	5	50 - 33	AH133091	4D22	3	120 - 67
AH131176	2J2	6	70 - 63	AH131391	2C13	11	50 - 33	AH133126	2E20	9	60 - 9
AH131176	2J2	7	70 - 63	AH131391	2C13	..	50 - 33	AH133128	2E20	3	60 - 9
AH131176	2J2	8	70 - 63	AH131391	2C20	33	50 - 41	AH133128	2E20	12	60 - 9
AH131176	2J2	9	70 - 63	AH131391	2C20	34	50 - 41	AH133128	2E20	28	60 - 9
AH131176	2J2	..	70 - 63	AH131391	2C20	35	50 - 41	AH133128	2E20	29	60 - 9
AH131176	4J9	11	125 - 33	AH131391	2C20	..	50 - 41	AH133128	2E20	33	60 - 9
AH131176	4J9	..	125 - 33	AH131392	2C13	..	50 - 33	AH133128	2E20	..	60 - 9
AH131178	2J2	5	70 - 63	AH131392	2C20	..	50 - 41	AH133151	2I5	2	70 - 41
AH131178	2J2	14	70 - 63	AH131405	2I15	34	70 - 51	AH133156	4B15	10	120 - 9
AH131178	2J2	15	70 - 63	AH131405	2I21	8	70 - 57	AH133157	4B15	22	120 - 9
AH131178	2J2	16	70 - 63	AH131405	2I23	8	70 - 59	AH133157	4B23	18	120 - 17
AH131178	2J2	17	70 - 63	AH131420	2I17	30	70 - 53	AH133160	2F4	34	60 - 17
AH131181	2I25	..	70 - 61	AH131421	2I17	26	70 - 53	AH133161	2F4	33	60 - 17
AH131183	2E8	7	50 - 79	AH131535	2I3	26	70 - 39	AH133191	3I25	48	110 - 47
AH131183	2I25	26	70 - 61	AH131535	2I5	22	70 - 41	AH133191	4G16	8	121 - 51
AH131217	4D20	4	120 - 65	AH131545	2F4	19	60 - 17	AH133191	4G20	18	121 - 55
AH131219	4D20	4	120 - 65	AH131546	2F4	18	60 - 17	AH133191	5D10	18	130 - 57
AH131250	2I3	3	70 - 39	AH131550	5B18	12	130 - 13	AH133191	5D12	3	130 - 59
AH131250	2I5	5	70 - 41	AH131570	2H22	15	70 - 35	AH133191	5D15	28	130 - 63
AH131302	2F14	25	60 - 27	AH131570	5D23	15	160 - 3	AH133226	3B14	6	80 - 9
AH131303	2H8	2	70 - 21	AH131571	2H22	10	70 - 35	AH133265	2I3	14	70 - 39
AH131303	2H14	23	70 - 27	AH131571	5D23	10	160 - 3	AH133285	2I3	7	70 - 39
AH131303	3I9	15	110 - 31	AH131572	2H22	9	70 - 35	AH133285	2I3	8	70 - 39
AH131304	2J2	13	70 - 63	AH131572	5D23	9	160 - 3	AH133285	2I3	9	70 - 39
AH131305	2C10	..	50 - 29	AH131576	2H18	18	70 - 31	AH133285	2I3	10	70 - 39
AH131305	2C11	..	50 - 30	AH131842	2J2	3	70 - 63	AH133285	2I3	11	70 - 39
AH131305	2C13	..	50 - 33	AH131842	4J9	3	125 - 33	AH133285	2I3	12	70 - 39
AH131305	2E8	3	50 - 79	AH131845	3E10	2	90 - 19	AH133285	2I3	27	70 - 39
AH131305	2E8	6	50 - 79	AH131851	3E10	2	90 - 19	AH133303	3C6	1	80 - 25
AH131308	2C22	1	50 - 43	AH131852	3E10	2	90 - 19	AH133316	1J22	12	40 - 107

1K15

CTS II COMBINE

NUMERICAL INDEX - CONTINUED

PART NO.	GRID	KEY	PAGE	PART NO.	GRID	KEY	PAGE	PART NO.	GRID	KEY	PAGE
AH133499	3E10	8	90 - 19	AH134733	2I21	25	70 - 57	AH135837	4H20	1	121 - 79
AH133499	3E12	20	90 - 21	AH134733	2I23	7	70 - 59	AH135952	4E25	21	121 - 11
AH133500	3E10	8	90 - 19	AH134733	2I23	27	70 - 59	AH135958	4E25	14	121 - 11
AH133501	3E10	8	90 - 19	AH134774	4C18	10	120 - 37	AH136046	3B16	21	80 - 11
AH133660	2C10	29	50 - 29	AH134778	4C6	7	120 - 25	AH136047	3B18	17	80 - 13
AH133661	2C20	27	50 - 41	AH134813	2F21	13	60 - 34	AH136052	4F18	16	121 - 29
AH133663	2C10	29	50 - 29	AH134814	2F22	1	60 - 35	AH136146	1E24	11	30 - 7
AH133752	2F6	8	60 - 19	AH134833	2I18	26	70 - 54	AH136147	1E20	19	30 - 3
AH133758	4J5	2	125 - 29	AH134859	4G2	..	121 - 37	AH136153	5C20	15	130 - 41
AH133759	4J3	2	125 - 27	AH134861	4F10	..	121 - 21	AH136163	3B12	1	80 - 7
AH133770	4J3	11	125 - 27	AH134884	3G11	16	90 - 69	AH136202	4J5	25	125 - 29
AH133830	3B12	18A	80 - 7	AH135035	1B7	4	20 - 3	AH136202	4J5	26	125 - 29
AH133844	2B12	4	50 - 6	AH135063	4C8	13	120 - 27	AH136248	2G19	..	70 - 7
AH133896	1H18	12	40 - 55	AH135064	2I1	3	70 - 37	AH136248	4I24	3	125 - 23
AH133941	2D24	32	50 - 71	AH135155	1E20	24	30 - 3	AH136248	4I24	4	125 - 23
AH133942	2D24	33	50 - 71	AH135160	4E4	8	120 - 75	AH136248	4I24	7	125 - 23
AH133948	4J5	21	125 - 29	AH135181	4H6	19	121 - 65	AH136248	4I24	8	125 - 23
AH133948	4J7	1	125 - 31	AH135182	3C6	5	80 - 25	AH136248	4I24	9	125 - 23
AH133949	4J5	17	125 - 29	AH135191	1E20	17	30 - 3	AH136248	4I24	..	125 - 23
AH133949	4J7	2	125 - 31	AH135207	4J25	17	125 - 51	AH136248	4I25	6	125 - 24
AH133987	2F16	10	60 - 29	AH135217	2G9	4	60 - 49	AH136285	3D6	18	80 - 51
AH133988	2F16	9	60 - 29	AH135240	4B23	6	120 - 17	AH136304	2E20	26	60 - 9
AH134121	3H18	24	110 - 15	AH135254	5E20	..	170 - 19	AH136305	2E20	2	60 - 9
AH134121	3H20	27	110 - 17	AH135254	5E22	..	170 - 21	AH136356	1G23	1	40 - 35
AH134144	4B13	17	120 - 7	AH135254	5E24	..	170 - 23	AH136362	2B11	11	50 - 5
AH134145	4B13	17	120 - 7	AH135254	5F2	..	170 - 25	AH136362	2E18	14	60 - 7
AH134205	2G15	9	70 - 3	AH135254	5F4	..	170 - 27	AH136455	3B16	8	80 - 11
AH134207	4F18	6	121 - 29	AH135290	3D8	7	80 - 53	AH136494	1J22	7	40 - 107
AH134224	5D25	3	160 - 5	AH135290	3D14	12	80 - 59	AH136496	1J22	3	40 - 107
AH134229	1H6	11	40 - 43	AH135290	3H18	20	110 - 15	AH136497	3I19	8	110 - 41
AH134234	1G19	15	40 - 31	AH135290	3H20	23	110 - 17	AH136497	4G10	15	121 - 45
AH134234	1G21	15	40 - 33	AH135290	4D4	10	120 - 49	AH136553	5D20	3	130 - 69
AH134288	1J16	5	40 - 101	AH135298	3B24	17	80 - 19	AH136554	5D20	2	130 - 69
AH134292	1H6	5	40 - 43	AH135300	3C2	7	80 - 21	AH136557	3E8	13	90 - 17
AH134296	1G6	3	40 - 17	AH135333	4J5	9	125 - 29	AH136599	4E17	17	121 - 3
AH134296	1G19	15	40 - 31	AH135335	4B15	33	120 - 9	AH136605	4B15	12	120 - 9
AH134296	1G21	15	40 - 33	AH135336	4B15	33	120 - 9	AH136616	3B16	6	80 - 11
AH134304	2E22	31	60 - 11	AH135337	4B15	34	120 - 9	AH136635	5B22	8	130 - 17
AH134305	2E22	31	60 - 11	AH135439	5B18	3	130 - 13	AH136873	3H6	30	110 - 3
AH134360	4D25	1	120 - 70	AH135440	5B18	17	130 - 13	AH136873	3J6	19	110 - 53
AH134522	3E20	2	90 - 29	AH135441	5B18	10	130 - 13	AH136929	3F18	2	90 - 51
AH134532	2H12	18	70 - 25	AH135444	5B18	19	130 - 13	AH136930	3F18	4	90 - 51
AH134533	2H16	5	70 - 29	AH135445	5B18	19	130 - 13	AH136935	3F20	2	90 - 53
AH134554	4J9	13	125 - 33	AH135463	5B16	11	130 - 11	AH136936	3F22	3	90 - 55
AH134555	4J5	12	125 - 29	AH135463	5C2	1	130 - 23	AH136937	3F16	2	90 - 49
AH134555	4J9	5	125 - 33	AH135565	4F12	18	121 - 23	AH137147	1I22	7	40 - 83
AH134555	4J9	14	125 - 33	AH135579	5C2	14	130 - 23	AH137195	4E23	18	121 - 9
AH134555	4J9	15	125 - 33	AH135620	2D24	23	50 - 71	AH137254	1E20	18	30 - 3
AH134555	4J9	16	125 - 33	AH135647	4B21	1	120 - 15	AH137254	3B24	6	80 - 19
AH134555	4J9	17	125 - 33	AH135658	4I10	4	125 - 9	AH137256	5C4	3	130 - 25
AH134593	4G18	20	121 - 53	AH135682	2H14	13	70 - 27	AH137257	5C4	2	130 - 25
AH134593	4H6	15	121 - 65	AH135684	2H8	23	70 - 21	AH137260	4E25	11	121 - 11
AH134593	4I6	5	125 - 5	AH135686	2H8	24	70 - 21	AH137260	4I6	3	125 - 5
AH134596	4G16	36	121 - 51	AH135688	2H12	18	70 - 25	AH137261	4I4	28	125 - 3
AH134596	4G18	2	121 - 53	AH135689	2H16	5	70 - 29	AH137261	4I6	14	125 - 5
AH134597	4G20	38	121 - 55	AH135695	2E14	2	60 - 3	AH137310	4F10	18	121 - 21
AH134598	5B25	16	130 - 21	AH135744	1H18	21	40 - 55	AH137373	4E6	18	120 - 77
AH134630	4C12	18	120 - 31	AH135744	2J18	15	70 - 79	AH137374	4E6	18	120 - 77
AH134642	1B9	7	20 - 5	AH135787	1G19	8	40 - 31	AH137393	4I6	10	125 - 5
AH134658	4B13	26	120 - 7	AH135787	1G19	9	40 - 31	AH137408	3C6	3	80 - 25
AH134662	4B19	16	120 - 13	AH135787	1G19	20	40 - 31	AH137409	3C6	4	80 - 25
AH134724	3F4	1	90 - 37	AH135787	1G21	9	40 - 33	AH137419	4C18	6	120 - 37
AH134728	1H8	21	40 - 45	AH135787	1G21	20	40 - 33	AH137486	3G15	15	90 - 73
AH134728	1I8	3	40 - 69	AH135787	1H2	17	40 - 39	AH137630	3I11	5	110 - 33
AH134729	4G24	4	121 - 59	AH135787	1H4	17	40 - 41	AH137631	3I11	6	110 - 33
AH134730	4G24	5	121 - 59	AH135813	4E17	3	121 - 3	AH137631	3I11	7	110 - 33
AH134733	2I21	7	70 - 57	AH135821	1J8	3	40 - 93	AH137631	3I11	8	110 - 33

NUMERICAL INDEX - CONTINUED

PART NO.	GRID	KEY	PAGE	PART NO.	GRID	KEY	PAGE	PART NO.	GRID	KEY	PAGE
AH137631	3I11	9	110 - 33	AH138752	4E23	3	121 - 9	AH139987	1I12	2	40 - 73
AH137631	4J16	10	125 - 40	AH138809	2G10	1	60 - 50	AH139988	4H24	3	121 - 83
AH137631	5B12	10	130 - 7	AH138940	1B22	6	20 - 19	AH139989	4I12	2	125 - 11
AH137671	4E6	14	120 - 77	AH138947	5B12	8	130 - 7	AH139990	1H12	16	40 - 49
AH137672	4E6	14	120 - 77	AH139060	2I17	22	70 - 53	AH139990	1H14	2	40 - 51
AH137677	4E6	14	120 - 77	AH139060	2I21	11	70 - 57	AH140001	5D12	15	130 - 59
AH137678	4E6	14	120 - 77	AH139060	2I23	13	70 - 59	AH140001	5D12	16	130 - 59
AH137688	4I10	10	125 - 9	AH139065	2F10	36	60 - 23	AH140044	4C18	7	120 - 37
AH137702	3G15	4	90 - 73	AH139065	3G9	36	90 - 67	AH140051	4I8	8	125 - 7
AH137725	3E18	11	90 - 27	AH139072	5C25	9	130 - 46	AH140081	5C18	4	130 - 39
AH137733	3I9	1	110 - 31	AH139115	4I4	11	125 - 3	AH140118	1B9	2	20 - 5
AH137751	4I20	4	125 - 19	AH139118	4F2	5	121 - 13	AH140119	1B7	2	20 - 3
AH137752	4I14	13	125 - 13	AH139119	3F24	6	90 - 57	AH140120	1F22	7	40 - 9
AH137753	4I16	3	125 - 15	AH139202	3C8	5	80 - 27	AH140120	1H6	..	40 - 43
AH137754	2C3	1	50 - 22	AH139236	4E10	6	120 - 81	AH140127	5B25	14	130 - 21
AH137755	2C3	1	50 - 22	AH139237	4E10	6	120 - 81	AH140127	5B25	20	130 - 21
AH137758	3G24	28	90 - 83	AH139238	4F20	43	121 - 31	AH140127	5B25	24	130 - 21
AH137771	4F16	12	121 - 27	AH139243	3I21	3	110 - 43	AH140127	5B25	25	130 - 21
AH137772	4F14	1	121 - 25	AH139246	4B21	8	120 - 15	AH140129	4H18	12	121 - 77
AH137792	4H8	7	121 - 67	AH139260	4H20	9	121 - 79	AH140131	4B13	26	120 - 7
AH137807	3D2	11	80 - 47	AH139280	4E6	15	120 - 77	AH140170	1B7	18	20 - 3
AH137845	3I11	1	110 - 33	AH139281	4E6	15	120 - 77	AH140185	3H8	19	110 - 5
AH137859	3B20	4	80 - 15	AH139295	3H14	6	110 - 11	AH140253	2B14	3	50 - 8
AH137887	3B20	2	80 - 15	AH139295	3H16	21	110 - 13	AH140334	5D4	10	130 - 51
AH137975	2F18	8	60 - 31	AH139296	4G16	3	121 - 51	AH140335	5D4	10	130 - 51
AH137975	4I18	1	125 - 17	AH139296	4G20	12	121 - 55	AH140410	2B17	3	50 - 11
AH137986	4J7	17	125 - 31	AH139296	5D10	20	130 - 57	AH140410	2B17	..	50 - 11
AH138048	2B9	16	50 - 3	AH139296	5D12	9	130 - 59	AH140417	4B13	..	120 - 7
AH138048	2B11	4	50 - 5	AH139296	5D15	34	130 - 63	AH140471	1B22	4	20 - 19
AH138098	1G17	12	40 - 29	AH139297	4C25	24	120 - 45	AH140471	2J14	4	70 - 75
AH138111	3F4	8	90 - 37	AH139321	4F10	..	121 - 21	AH140471	3G17	6	90 - 75
AH138156	4H18	1	121 - 77	AH139323	2E8	1	50 - 79	AH140473	1B22	5	20 - 19
AH138157	4H18	10	121 - 77	AH139323	4F2	..	121 - 13	AH140484	3B10	23	80 - 5
AH138187	3I11	1	110 - 33	AH139323	4F4	..	121 - 15	AH140485	3B10	23	80 - 5
AH138200	2J9	13	70 - 70	AH139323	4F6	..	121 - 17	AH140495	1B7	33	20 - 3
AH138228	4E10	1	120 - 81	AH139342	4C21	5	120 - 41	AH140497	1B7	31	20 - 3
AH138230	4D22	8	120 - 67	AH139352	3H18	17	110 - 15	AH140498	4E17	5	121 - 3
AH138230	4D24	2	120 - 69	AH139365	4C12	15	120 - 31	AH140498	4E19	24	121 - 5
AH138231	4D12	7	120 - 57	AH139388	5B8	18	130 - 3	AH140499	4E17	16	121 - 3
AH138232	4D18	6	120 - 63	AH139391	5B8	18	130 - 3	AH140499	4E21	23	121 - 7
AH138232	4D22	7	120 - 67	AH139393	3C25	10	80 - 45	AH140576	4C18	13	120 - 37
AH138233	2F18	11	60 - 31	AH139434	2J16	11	70 - 77	AH140578	4C18	16	120 - 37
AH138234	4D12	1	120 - 57	AH139434	2J16	12	70 - 77	AH140579	4C18	16	120 - 37
AH138234	4D12	2	120 - 57	AH139595	4H22	7	121 - 81	AH140600	4G18	5	121 - 53
AH138257	1B9	6	20 - 5	AH139596	4H22	3	121 - 81	AH140605	1G23	14	40 - 35
AH138291	1I5	13	40 - 66	AH139611	2H21	2	70 - 34	AH140605	1G25	14	40 - 37
AH138292	3C4	12	80 - 23	AH139611	2H21	13	70 - 34	AH140605	2E14	10	60 - 3
AH138317	3C4	7	80 - 23	AH139612	2H21	2	70 - 34	AH140609	1F20	4	40 - 7
AH138328	2B21	31	50 - 15	AH139612	2H21	13	70 - 34	AH140609	3E22	4	90 - 31
AH138329	2B21	26	50 - 15	AH139679	4H18	20	121 - 77	AH140615	3H8	31	110 - 5
AH138329	2B21	28	50 - 15	AH139680	4H18	19	121 - 77	AH140706	1F24	14	40 - 11
AH138329	2B21	31	50 - 15	AH139683	4C18	9	120 - 37	AH140706	1F24	18	40 - 11
AH138329	3E24	32	90 - 33	AH139755	2H21	13	70 - 34	AH140714	2F16	8	60 - 29
AH138374	4D4	2	120 - 49	AH139756	2H21	13	70 - 34	AH140715	2F16	7	60 - 29
AH138375	4D4	9	120 - 49	AH139782	3B24	11	80 - 19	AH140766	4E10	1	120 - 81
AH138384	4D2	23	120 - 47	AH139791	4H8	5	121 - 67	AH140786	1F18	..	40 - 5
AH138601	3G11	13	90 - 69	AH139791	4H18	16	121 - 77	AH140786	1G17	21	40 - 29
AH138655	4J13	7	125 - 37	AH139802	2D24	24	50 - 71	AH140786	1G17	22	40 - 29
AH138660	4F6	10	121 - 17	AH139816	4G14	20	121 - 49	AH140786	1G17	25	40 - 29
AH138702	2E20	31	60 - 9	AH139853	2E2	19	50 - 73	AH140786	1G17	27	40 - 29
AH138707	2B21	2	50 - 15	AH139854	2E2	19	50 - 73	AH140786	1G17	29	40 - 29
AH138707	3E24	3	90 - 33	AH139887	4E17	4	121 - 3	AH140786	1G17	31	40 - 29
AH138718	4J7	9	125 - 31	AH139897	2C6	4	50 - 25	AH140790	5C22	1	130 - 43
AH138746	4I6	6	125 - 5	AH139903	1H12	24	40 - 49	AH14080	4G20	6	121 - 55
AH138751	3H6	1	110 - 3	AH139904	1H12	23	40 - 49	AH140832	2H10	8	70 - 23
AH138751	3H6	19	110 - 3	AH139936	4F18	24	121 - 29	AH140838	3E2	12	90 - 11
AH138751	3H6	..	110 - 3	AH139982	4I6	8	125 - 5	AH140901	5D15	23	130 - 63

NUMERICAL INDEX - CONTINUED

PART NO.	GRID	KEY	PAGE	PART NO.	GRID	KEY	PAGE	PART NO.	GRID	KEY	PAGE
AH140902	2G19	25	70 - 7	AH141780	3I9	9	110 - 31	AH143352	2D16	5	50 - 63
AH140902	4I22	11	125 - 21	AH141781	3I9	11	110 - 31	AH143353	2D18	16	50 - 65
AH140902	4I24	20	125 - 23	AH141782	3I9	10	110 - 31	AH143361	3I2	13	110 - 23
AH140903	2G19	6	70 - 7	AH141794	2E18	2	60 - 7	AH143362	3I2	14	110 - 23
AH140903	4I24	1	125 - 23	AH141804	3E16	1	90 - 25	AH143405	4E2	6	120 - 73
AH140903	4I24	2	125 - 23	AH141808	1B9	17	20 - 5	AH143407	2E2	18	50 - 73
AH140903	4I24	3	125 - 23	AH141811	2C22	16	50 - 43	AH143422	1F16	6	40 - 3
AH140903	4I24	4	125 - 23	AH141811	2C22	19	50 - 43	AH143422	1G13	..	40 - 25
AH140903	4I24	5	125 - 23	AH141812	3E16	9	90 - 25	AH143426	4H10	7	121 - 69
AH140903	4I24	6	125 - 23	AH141813	1I12	10	40 - 73	AH143432	4E19	14	121 - 5
AH140903	4I24	7	125 - 23	AH141820	4F20	29	121 - 31	AH143432	4E21	13	121 - 7
AH140903	4I24	8	125 - 23	AH141820	4F22	2	121 - 33	AH143436	2G17	16	70 - 5
AH140903	4I24	9	125 - 23	AH141823	1E20	26	30 - 3	AH143436	2I7	20	70 - 43
AH140903	4I24	..	125 - 23	AH141849	1B9	8	20 - 5	AH143455	2I5	7	70 - 41
AH140903	4J1	9	125 - 25	AH141853	4E6	8	120 - 77	AH143512	3J8	7	110 - 55
AH140930	1F8	3	30 - 15	AH141858	2G21	1	70 - 9	AH143512	3J8	8	110 - 55
AH140932	2H10	26	70 - 23	AH141858	4I14	14	125 - 13	AH143682	2H20	1	70 - 33
AH140934	2G17	15	70 - 5	AH141861	3I21	5	110 - 43	AH143682	2J10	1	70 - 71
AH140943	3C4	19	80 - 23	AH141864	3C4	13	80 - 23	AH143684	5G6	2	170 - 53
AH140944	4C16	14	120 - 35	AH141865	3C10	5	80 - 29	AH143684	5G6	3	170 - 53
AH140967	3B14	8	80 - 9	AH141973	4G10	5	121 - 45	AH143684	5G6	6	170 - 53
AH140967	3B14	26	80 - 9	AH141984	1F20	9	40 - 7	AH143684	5G6	10	170 - 53
AH140989	1H24	18	40 - 61	AH141984	3E22	9	90 - 31	AH143684	5G6	11	170 - 53
AH140994	4H22	23	121 - 81	AH142000	4C8	17	120 - 27	AH143684	5G6	12	170 - 53
AH140995	4H22	19	121 - 81	AH142000	4E8	9	120 - 79	AH143684	5G6	13	170 - 53
AH141012	1G17	1	40 - 29	AH142001	4C10	18	120 - 29	AH143684	5G6	14	170 - 53
AH141012	1G17	5	40 - 29	AH142012	3C4	1	80 - 23	AH143684	5G8	2	170 - 55
AH141012	1G17	6	40 - 29	AH142103	3G17	4	90 - 75	AH143684	5G8	4	170 - 55
AH141012	1G17	7	40 - 29	AH142103	3G17	..	90 - 75	AH143684	5G8	5	170 - 55
AH141012	1G17	8	40 - 29	AH142107	3G17	2	90 - 75	AH143684	5G8	6	170 - 55
AH141012	1G17	10	40 - 29	AH142139	2B16	1	50 - 10	AH143684	5G8	7	170 - 55
AH141022	4F14	21	121 - 25	AH142155	1G17	14	40 - 29	AH143684	5G8	8	170 - 55
AH141024	4E2	6	120 - 73	AH142158	2B16	1	50 - 10	AH143684	5G8	9	170 - 55
AH141030	4C2	2	120 - 21	AH142185	5B14	4	130 - 9	AH143684	5G8	10	170 - 55
AH141049	4F14	..	121 - 25	AH142188	5B14	4	130 - 9	AH143684	5G8	12	170 - 55
AH141049	4F16	..	121 - 27	AH142370	4C23	16	120 - 43	AH143684	5G8	14	170 - 55
AH141052	4C16	18	120 - 35	AH142394	3I11	31	110 - 33	AH143684	5G8	15	170 - 55
AH141131	1F24	9	40 - 11	AH142404	3E16	2	90 - 25	AH143684	5G8	18	170 - 55
AH141142	4H25	..	121 - 84	AH142404	3E16	17	90 - 25	AH143684	5G8	20	170 - 55
AH141142	4K9	..	125 - 60	AH142404	3E16	18	90 - 25	AH143684	5G8	23	170 - 55
AH141161	3E6	4	90 - 15	AH142404	3E16	21	90 - 25	AH143684	5G8	25	170 - 55
AH141171	1F24	5	40 - 11	AH142404	3E18	4	90 - 27	AH143684	5G8	26	170 - 55
AH141184	4I4	22	125 - 3	AH142404	3E18	21	90 - 27	AH143684	5G8	27	170 - 55
AH141201	5D10	22	130 - 57	AH142407	3H14	24	110 - 11	AH143684	5G9	2	170 - 56
AH141216	4I10	8	125 - 9	AH142441	2F2	32	60 - 15	AH143684	5G11	1	170 - 59
AH141248	3J8	14	110 - 55	AH142441	2F10	27	60 - 23	AH143684	5G11	2	170 - 59
AH141283	3J8	16	110 - 55	AH142441	3G9	27	90 - 67	AH143684	5G11	4	170 - 59
AH141302	2B12	4	50 - 6	AH142527	1B9	25	20 - 5	AH143684	5G12	1	170 - 60
AH141355	4I10	6	125 - 9	AH142560	3I5	8	110 - 26	AH143684	5G12	2	170 - 60
AH141356	4I10	9	125 - 9	AH142611	2D14	4	50 - 61	AH143684	5G12	3	170 - 60
AH141389	4F12	20	121 - 23	AH142630	5B18	20	130 - 13	AH143684	5G12	6	170 - 60
AH141390	4F20	46	121 - 31	AH142731	2I19	25	70 - 55	AH143684	5G13	1	170 - 61
AH141399	3I7	19	110 - 29	AH142758	2D18	17	50 - 65	AH143684	5G13	2	170 - 61
AH141412	3E4	13	90 - 13	AH142870	4F6	37	121 - 17	AH143727	5D8	11	130 - 55
AH141544	2D20	11	50 - 67	AH142870	4F8	18	121 - 19	AH143731	5D8	11	130 - 55
AH141577	5B8	12	130 - 3	AH142893	2F2	31	60 - 15	AH143737	2E16	2	60 - 5
AH141582	2E22	29	60 - 11	AH142999	1H24	18	40 - 61	AH143737	2E18	1	60 - 7
AH141625	1F2	12	30 - 9	AH142999	5C24	3A	130 - 45	AH143737	2E20	32	60 - 9
AH141647	4C21	1	120 - 41	AH143035	2D16	1	50 - 63	AH143746	4G4	4	121 - 39
AH141652	4I16	5	125 - 15	AH143036	1E22	15	30 - 5	AH143747	4G4	5	121 - 39
AH141671	1B9	11	20 - 5	AH143048	4H18	5	121 - 77	AH143761	1H10	17	40 - 47
AH141672	1B9	14	20 - 5	AH143069	3I5	2	110 - 26	AH143903	1I4	1	40 - 65
AH141686	2E18	5	60 - 7	AH143269	4E12	27	120 - 83	AH143904	1I4	1	40 - 65
AH141687	2E18	6	60 - 7	AH143270	4E12	19	120 - 83	AH143904	4G22	5	121 - 57
AH141743	3D4	2	80 - 49	AH143322	2J9	16	70 - 70	AH144020	3G11	34	90 - 69
AH141762	4G6	14	121 - 41	AH143322	2J10	12	70 - 71	AH144068	5D15	4	130 - 63
AH141774	3D22	4	90 - 7	AH143333	2E22	24	60 - 11	AH144084	3G15	8	90 - 73

NUMERICAL INDEX - CONTINUED

PART NO.	GRID	KEY	PAGE	PART NO.	GRID	KEY	PAGE	PART NO.	GRID	KEY	PAGE
AH144096	1G8	1	40 - 19	AH146041	3D4	11	80 - 49	AH148258	1H16	5	40 - 53
AH144096	1G9	1	40 - 20	AH146043	2J8	20	70 - 69	AH148258	1H22	2	40 - 59
AH144099	3H6	31	110 - 3	AH146116	4B13	..	120 - 7	AH148259	1H16	22	40 - 53
AH144099	3J6	18	110 - 53	AH146207	1G2	8	40 - 13	AH148259	1H20	1	40 - 57
AH144104	4B11	2	120 - 5	AH146214	5B23	15	130 - 18	AH148289	1F6	2	30 - 13
AH144192	2D20	1	50 - 67	AH146216	5B20	9	130 - 15	AH148354	1F20	12	40 - 7
AH144194	2D20	11	50 - 67	AH146218	5B20	1	130 - 15	AH148354	3E22	12	90 - 31
AH144345	2I7	8	70 - 43	AH146221	5B20	2	130 - 15	AH148385	4E25	11	121 - 11
AH144478	4H8	5	121 - 67	AH146234	3F16	1	90 - 49	AH148385	4H6	8	121 - 65
AH144480	2J9	15	70 - 70	AH146309	1I5	6	40 - 66	AH148386	4H16	15	121 - 75
AH144482	2J9	1	70 - 70	AH146322	4J11	8	125 - 35	AH148416	2G25	7	70 - 13
AH144503	1G13	23	40 - 25	AH146352	5C16	21	130 - 37	AH148416	2H2	19	70 - 15
AH144523	3J8	2	110 - 55	AH146359	5D12	19	130 - 59	AH148447	4H6	19	121 - 65
AH144536	4B15	..	120 - 9	AH146359	5E5	2	170 - 4	AH148472	2I18	24	70 - 54
AH144544	4B13	26	120 - 7	AH146360	4E10	3	120 - 81	AH148499	4H6	12	121 - 65
AH144609	4B11	9	120 - 5	AH146361	3C19	4	80 - 38	AH148526	4E6	2	120 - 77
AH144609	4B11	18	120 - 5	AH146364	4E8	14	120 - 79	AH148578	4H22	25	121 - 81
AH144609	4B11	19	120 - 5	AH146394	4E25	10	121 - 11	AH148616	1G8	2	40 - 19
AH144617	4E12	8	120 - 83	AH146461	4G20	28	121 - 55	AH148649	1F8	4	30 - 15
AH144695	2G9	4	60 - 49	AH146462	4G20	31	121 - 55	AH148879	1F2	1	30 - 9
AH144715	3H8	17	110 - 5	AH146463	4G20	4	121 - 55	AH148880	1F2	5	30 - 9
AH144719	1B22	6	20 - 19	AH146492	2E14	2	60 - 3	AH148893	4G10	14	121 - 45
AH144719	1F8	5	30 - 15	AH146506	4G20	4	121 - 55	AH149180	4J22	30	125 - 47
AH144741	1F18	6	40 - 5	AH146509	5B23	9	130 - 18	AH149182	5B10	5	130 - 5
AH144742	1F18	7	40 - 5	AH146621	1E20	22	30 - 3	AH149183	5B18	6	130 - 13
AH144778	3F14	1	90 - 47	AH146655	4C21	2	120 - 41	AH149184	5B18	6	130 - 13
AH144831	2G21	2	70 - 9	AH146742	3F7	1	90 - 40	AH149229	1B15	7	20 - 11
AH144974	4D25	1	120 - 70	AH146783	3C16	4	80 - 35	AH149229	1B22	5	20 - 19
AH145024	1H6	11	40 - 43	AH146788	1E24	15	30 - 7	AH149236	4H6	34	121 - 65
AH145026	1G2	1	40 - 13	AH146854	3D24	6	90 - 9	AH149242	5B14	13	130 - 9
AH145029	3I13	12	110 - 35	AH147030	3F7	3	90 - 40	AH149320	5B12	10	130 - 7
AH145029	5E3	3	170 - 2	AH147061	3C14	1	80 - 33	AH149349	1J16	9	40 - 101
AH145030	2J8	21	70 - 69	AH147066	3F4	7	90 - 37	AH149349	3H6	30	110 - 3
AH145049	5D2	6	130 - 49	AH147084	2I15	41	70 - 51	AH149349	3H8	..	110 - 5
AH145050	5D4	10	130 - 51	AH147084	2I21	12	70 - 57	AH149349	3J6	19	110 - 53
AH145051	5C20	1	130 - 41	AH147084	2I23	14	70 - 59	AH149349	3J6	25	110 - 53
AH145060	2B9	2	50 - 3	AH147085	2I18	25	70 - 54	AH149356	4G20	38	121 - 55
AH145061	2B9	1	50 - 3	AH147086	2I19	22	70 - 55	AH149357	4G20	7	121 - 55
AH145065	3F6	7	90 - 39	AH147086	2I21	10	70 - 57	AH149373	3D20	9	90 - 5
AH145157	3E14	8	90 - 23	AH147086	2I23	10	70 - 59	AH149374	3D20	9	90 - 5
AH145203	3J8	6	110 - 55	AH147086	2I23	11	70 - 59	AH149448	2C3	1	50 - 22
AH145205	3J8	13	110 - 55	AH147086	2I23	12	70 - 59	AH149449	2C3	1	50 - 22
AH145232	1B22	1	20 - 19	AH147092	3C25	1	80 - 45	AH149543	4J15	29	125 - 39
AH145232	2J14	1	70 - 75	AH147097	2I18	27	70 - 54	AH149547	4D6	4	120 - 51
AH145235	2D22	4	50 - 69	AH147097	2I21	13	70 - 57	AH149551	4D14	4	120 - 59
AH145237	2D22	5	50 - 69	AH147097	2I23	15	70 - 59	AH149555	4D16	4	120 - 61
AH145239	2J12	6	70 - 73	AH147153	3F8	1	90 - 41	AH149558	4D20	4	120 - 65
AH145241	2J12	7	70 - 73	AH147544	2B13	1	50 - 7	AH149559	4D20	4	120 - 65
AH145256	1I13	1	40 - 74	AH147545	2B13	7	50 - 7	AH149588	1B22	1	20 - 19
AH145281	3I2	22	110 - 23	AH147546	2B13	7	50 - 7	AH149588	2J14	1	70 - 75
AH145282	3I2	16	110 - 23	AH147584	4D10	6	120 - 55	AH149588	3G17	6	90 - 75
AH145348	2B14	3	50 - 8	AH147588	4C14	5	120 - 33	AH149618	1B22	4	20 - 19
AH145563	1J24	1	40 - 109	AH147650	4C14	12	120 - 33	AH149618	2J14	4	70 - 75
AH145616	3G5	2	90 - 62	AH147651	4C14	11	120 - 33	AH149618	3G17	6	90 - 75
AH145674	1F18	16	40 - 5	AH147652	4C14	10	120 - 33	AH149631	3D20	8	90 - 5
AH145678	3E12	15	90 - 21	AH147653	4C14	9	120 - 33	AH149701	4D22	1	120 - 67
AH145701	1I22	7	40 - 83	AH147654	4C14	8	120 - 33	AH149829	2E22	28	60 - 11
AH145762	3I4	1	110 - 25	AH147698	4I6	16	125 - 5	AH149833	1G11	30	40 - 23
AH145763	3I4	2	110 - 25	AH147935	2F6	9	60 - 19	AH149834	1G11	3	40 - 23
AH145769	1H10	2	40 - 47	AH147952	4E6	13	120 - 77	AH149835	1G11	1	40 - 23
AH145769	1H10	4	40 - 47	AH147953	4E6	13	120 - 77	AH149879	4D2	16	120 - 47
AH145769	1H10	10	40 - 47	AH148028	1I2	20	40 - 63	AH149883	3D24	2	90 - 9
AH145769	1H10	14	40 - 47	AH148106	1B13	4	20 - 9	AH150167	4D14	12	120 - 59
AH145947	1G4	7	40 - 15	AH148124	2I5	18	70 - 41	AH150168	4D20	12	120 - 65
AH145964	1I22	6	40 - 83	AH148142	4D24	13	120 - 69	AH150169	4D16	8	120 - 61
AH146032	3F14	4	90 - 47	AH148210	1H24	2	40 - 61	AH150343	2B14	4	50 - 8
AH146041	3D4	7	80 - 49	AH148210	1I2	14	40 - 63	AH150344	2B14	4	50 - 8

NUMERICAL INDEX - CONTINUED

PART NO.	GRID	KEY	PAGE	PART NO.	GRID	KEY	PAGE	PART NO.	GRID	KEY	PAGE
AH150345	2B14	4	50 - 8	AH153688	4B15	19	120 - 9	AH155348	3J2	13	110 - 49
AH150346	2B14	4	50 - 8	AH153688	4B17	13	120 - 11	AH155480	1H24	18	40 - 61
AH150441	3E6	22A	90 - 15	AH153743	5B14	4	130 - 9	AH155480	5C24	3B	130 - 45
AH150473	1H10	7	40 - 47	AH153744	5B14	4	130 - 9	AH155483	1E12	13	24 - 59
AH150497	4B17	1	120 - 11	AH153796	3E8	1	90 - 17	AH155522	1H16	23	40 - 53
AH150498	4C4	13	120 - 23	AH153808	4D8	4	120 - 53	AH155522	1H18	29	40 - 55
AH150499	4B25	13	120 - 19	AH153815	1118	2	40 - 79	AH155618	1B22	7	20 - 19
AH150611	2F8	18	60 - 21	AH153815	1120	2	40 - 81	AH155618	5F6	1	170 - 29
AH150686	3H8	9	110 - 5	AH153819	3H18	2	110 - 15	AH155618	5F8	1	170 - 31
AH150687	2H4	6	70 - 17	AH153910	1F14	6	40 - 1	AH155618	5F10	1	170 - 33
AH151119	4B15	15	120 - 9	AH153911	3D24	1	90 - 9	AH155618	5F12	1	170 - 35
AH151119	4B17	8	120 - 11	AH153998	1G19	1	40 - 31	AH155618	5F14	1	170 - 37
AH151121	4B17	5	120 - 11	AH153998	1G21	1	40 - 33	AH155618	5F16	1	170 - 39
AH151123	3D24	11	90 - 9	AH154083	3C4	20	80 - 23	AH155650	3I21	1	110 - 43
AH151301	2G25	15	70 - 13	AH154086	3C4	20	80 - 23	AH155657	3I25	1	110 - 47
AH151301	2H2	20	70 - 15	AH154151	1F14	7	40 - 1	AH155659	3I13	13	110 - 35
AH151338	3D8	11	80 - 53	AH154277	1F18	4	40 - 5	AH155669	3D6	23	80 - 51
AH151339	3D8	4	80 - 53	AH154278	1G11	5	40 - 23	AH155675	3H22	7	110 - 19
AH151340	3D8	9	80 - 53	AH154278	1G13	10	40 - 25	AH155677	3H22	7	110 - 19
AH151342	3D12	6	80 - 57	AH154280	3E4	8	90 - 13	AH155678	3H24	1	110 - 21
AH151343	3D12	11	80 - 57	AH154281	3E4	..	90 - 13	AH155703	3I25	6	110 - 47
AH151344	3D8	1	80 - 53	AH154369	4D25	1	120 - 70	AH155706	3I25	3	110 - 47
AH151346	3D8	2	80 - 53	AH154392	4F20	10	121 - 31	AH155707	3I25	3	110 - 47
AH151347	3D12	4	80 - 57	AH154400	4D20	3	120 - 65	AH155707	3J2	16	110 - 49
AH151349	3D10	5	80 - 55	AH154401	3D14	11	80 - 59	AH155715	3J2	7	110 - 49
AH151351	3D14	2	80 - 59	AH154420	4D20	3	120 - 65	AH155739	3I13	9	110 - 35
AH151352	3D10	4	80 - 55	AH154482	5C14	5	130 - 35	AH155833	3I25	26	110 - 47
AH151353	3D14	3	80 - 59	AH154483	5C14	4	130 - 35	AH155916	1H6	1	40 - 43
AH151354	4J15	27	125 - 39	AH154484	5C14	1	130 - 35	AH155916	1H8	1	40 - 45
AH151354	4K2	7	125 - 53	AH154485	5C14	6	130 - 35	AH156049	3H8	..	110 - 5
AH151403	5D8	11	130 - 55	AH154486	5C12	1	130 - 33	AH156051	4H2	7	121 - 61
AH151407	5D6	10	130 - 53	AH154487	5C12	17	130 - 33	AH156051	4J20	14	125 - 45
AH151407	5D6	25	130 - 53	AH154562	5C12	9	130 - 33	AH156051	5B14	6	130 - 9
AH151408	5D6	10	130 - 53	AH154567	3D10	8	80 - 55	AH156053	3H8	..	110 - 5
AH151410	5D6	25	130 - 53	AH154573	1F18	22	40 - 5	AH156066	3H18	3	110 - 15
AH151411	5D6	25	130 - 53	AH154573	1F18	..	40 - 5	AH156066	3H20	3	110 - 17
AH151413	5D8	3	130 - 55	AH154696	3E8	13	90 - 17	AH156126	3D2	8	80 - 47
AH151414	5D8	3	130 - 55	AH154703	5C12	7	130 - 33	AH156168	3B14	15	80 - 9
AH151537	4H12	9	121 - 71	AH154737	3J8	16	110 - 55	AH156177	4J15	25	125 - 39
AH151539	4H14	13	121 - 73	AH154740	3J8	11	110 - 55	AH156186	3B22	3	80 - 17
AH151653	4F4	1	121 - 15	AH154742	3J8	10	110 - 55	AH156359	3B14	1	80 - 9
AH151758	1F8	2	30 - 15	AH154828	1H6	1	40 - 43	AH156374	3H20	2	110 - 17
AH151771	1G19	16	40 - 31	AH154828	1H8	1	40 - 45	AH156388	2G22	8	70 - 10
AH151771	1G21	16	40 - 33	AH154831	1F16	1	40 - 3	AH156406	3H18	2	110 - 15
AH151771	1G23	4	40 - 35	AH154836	1H24	20	40 - 61	AH156413	5C24	5	130 - 45
AH151771	1G25	4	40 - 37	AH154848	2B12	4	50 - 6	AH156418	1I22	4	40 - 83
AH151771	1H2	1	40 - 39	AH154876	3B18	5	80 - 13	AH156475	2G25	1	70 - 13
AH151771	1H4	1	40 - 41	AH154920	5C6	27	130 - 27	AH156475	2H2	8	70 - 15
AH151894	3C21	9	80 - 41	AH154960	3I19	23	110 - 41	AH156594	5B12	5	130 - 7
AH152020	1J20	4	40 - 105	AH154961	3H14	14	110 - 11	AH156595	5B12	5	130 - 7
AH152323	3B16	14	80 - 11	AH154961	3I19	1	110 - 41	AH156626	2B12	4	50 - 6
AH152451	1H24	2	40 - 61	AH154962	5C18	4	130 - 39	AH156642	3F4	2	90 - 37
AH152654	5D16	8	130 - 64	AH154965	5D12	5	130 - 59	AH156703	2G25	12	70 - 13
AH152668	1J18	2	40 - 103	AH154966	5D12	6	130 - 59	AH156703	2H2	3	70 - 15
AH152873	3D24	8	90 - 9	AH154992	1B15	8	20 - 11	AH156704	2H6	14	70 - 19
AH152937	3H6	30	110 - 3	AH155003	2B15	1	50 - 9	AH156773	2F21	1	60 - 34
AH152937	3J6	19	110 - 53	AH155004	2B15	7	50 - 9	AH156809	5B12	5	130 - 7
AH153040	4G20	4	121 - 55	AH155077	3J8	16	110 - 55	AH156821	2F24	2	60 - 38
AH153133	1J18	4	40 - 103	AH155079	1B11	17	20 - 7	AH156821	2F25	2	60 - 39
AH153311	1J18	3	40 - 103	AH155122	1B11	12	20 - 7	AH156867	5C12	16	130 - 33
AH153332	1G4	26	40 - 15	AH155199	5C18	7	130 - 39	AH156868	5C12	4	130 - 33
AH153341	1J16	9	40 - 101	AH155232	2C5	6	50 - 24	AH156962	1H24	20	40 - 61
AH153341	3H8	..	110 - 5	AH155264	2H21	2	70 - 34	AH156971	2C4	7	50 - 23
AH153341	3J6	25	110 - 53	AH155264	2H21	13	70 - 34	AH156975	3J2	3	110 - 49
AH153626	1F14	3	40 - 1	AH155265	2H21	2	70 - 34	AH157026	2E22	31	60 - 11
AH153659	1B15	1	20 - 11	AH155265	2H21	13	70 - 34	AH157027	2E22	31	60 - 11
AH153676	3C4	1	80 - 23	AH155275	3I23	1	110 - 45	AH157029	3E10	8	90 - 19

NUMERICAL INDEX - CONTINUED

PART NO.	GRID	KEY	PAGE	PART NO.	GRID	KEY	PAGE	PART NO.	GRID	KEY	PAGE
AH157168	3I25	16	110 - 47	AH159105	1I16	12	40 - 77	AH161400	4B13	17	120 - 7
AH157306	3H20	4	110 - 17	AH159186	3E10	8	90 - 19	AH161405	4B13	17	120 - 7
AH157325	1F20	16	40 - 7	AH159187	3E10	8	90 - 19	AH161463	1F6	1	30 - 13
AH157325	3E22	16	90 - 31	AH159188	3E10	8	90 - 19	AH161463	1F6	2	30 - 13
AH157415	3I25	18	110 - 47	AH159204	3F24	18	90 - 57	AH161485	2E20	31	60 - 9
AH157491	3F14	3	90 - 47	AH159207	1F20	16	40 - 7	AH161504	4D25	1	120 - 70
AH157492	2H21	3	70 - 34	AH159207	3E22	16	90 - 31	AH161505	4D25	1	120 - 70
AH157492	3H18	4	110 - 15	AH159233	3H8	34	110 - 5	AH161506	4D25	1	120 - 70
AH157555	1F2	7	30 - 9	AH159235	1H6	3	40 - 43	AH161511	4E12	27	120 - 83
AH157557	3F20	3	90 - 53	AH159235	3C10	2	80 - 29	AH161512	4E12	19	120 - 83
AH157634	3F20	1	90 - 53	AH159352	1F20	12	40 - 7	AH161818	4B13	..	120 - 7
AH157698	2B18	1	50 - 12	AH159365	4D22	3	120 - 67	AH161838	1H13	4	40 - 50
AH157699	2B18	1	50 - 12	AH159703	3I9	1	110 - 31	AH161839	1H13	3	40 - 50
AH157700	2B18	1	50 - 12	AH159962	1I2	20	40 - 63	AH161885	2H21	13	70 - 34
AH157933	3H6	14	110 - 3	AH160053	3H18	1	110 - 15	AH161919	1F14	3	40 - 1
AH157934	3I19	6	110 - 41	AH160054	3H20	1	110 - 17	AH161925	3F24	1	90 - 57
AH157942	3I21	6	110 - 43	AH160085	3B14	1	80 - 9	AH161926	3E20	2	90 - 29
AH157973	2I1	6	70 - 37	AH160107	1H8	21	40 - 45	AH161927	3F12	13	90 - 45
AH158038	1K1	1	40 - 111	AH160107	1I8	3	40 - 69	AH161928	3F4	2	90 - 37
AH158038	1K2	1	40 - 112	AH160115	3E16	1	90 - 25	AH161930	1J20	4	40 - 105
AH158105	5C8	24	130 - 29	AH160136	2E16	2	60 - 5	AH162068	4F18	4	121 - 29
AH158105	5C10	1	130 - 31	AH160136	2E18	1	60 - 7	AH162073	3B16	5	80 - 11
AH158113	5C6	4	130 - 27	AH160136	2E20	32	60 - 9	AH162145	2I25	..	70 - 61
AH158142	3H18	14	110 - 15	AH160197	1F8	2	30 - 15	AH162179	1I22	4	40 - 83
AH158142	3H20	17	110 - 17	AH160426	4H14	13	121 - 73	AH162230	5B25	..	130 - 21
AH158144	3H22	7	110 - 19	AH160469	3E10	3	90 - 19	AH162231	1F21	2	40 - 8
AH158146	3H22	7	110 - 19	AH160473	3E10	2	90 - 19	AH162231	1I3	4	40 - 64
AH158147	3H22	7	110 - 19	AH160474	3E10	2	90 - 19	AH162231	1J14	7	40 - 99
AH158148	3H24	1	110 - 21	AH160475	3E10	2	90 - 19	AH162371	3B20	2	80 - 15
AH158151	3D8	8	80 - 53	AH160486	4C19	3	120 - 38	AH162400	5C20	1	130 - 41
AH158179	3G17	4	90 - 75	AH160606	4H14	11	121 - 73	AH162432	2H21	13	70 - 34
AH158180	3G15	20	90 - 73	AH160606	4H14	12	121 - 73	AH162441	5B12	10	130 - 7
AH158255	3B16	5	80 - 11	AH160606	4H14	..	121 - 73	AH162573	2G2	19	60 - 41
AH158296	1B16	4	20 - 12	AH160622	5C6	27	130 - 27	AH162647	1G23	4	40 - 35
AH158310	1I14	4	40 - 75	AH160627	1I20	7	40 - 81	AH162647	1G25	4	40 - 37
AH158321	1F2	14	30 - 9	AH160745	2C15	28	50 - 35	AH162647	1H4	1	40 - 41
AH158328	3I11	34	110 - 33	AH160745	2C16	28	50 - 36	AH162648	1G21	16	40 - 33
AH158473	1G19	16	40 - 31	AH160750	2C15	28	50 - 35	AH162648	1G23	4	40 - 35
AH158473	1G21	16	40 - 33	AH160785	2C10	2	50 - 29	AH162648	1G25	4	40 - 37
AH158473	1G25	4	40 - 37	AH160785	2C10	8	50 - 29	AH162648	1H4	1	40 - 41
AH158473	1H2	1	40 - 39	AH160785	2C10	..	50 - 29	AH162650	1H24	20	40 - 61
AH158473	1H4	1	40 - 41	AH160785	2C11	3	50 - 30	AH162652	1H24	20	40 - 61
AH158595	4F6	37	121 - 17	AH160785	2C11	10	50 - 30	AH162724	3I2	16	110 - 23
AH158595	4F8	18	121 - 19	AH160785	2C11	..	50 - 30	AH162746	3E6	22A	90 - 15
AH158598	3C12	2	80 - 31	AH160785	2C13	4	50 - 33	AH162746	3E6	22B	90 - 15
AH158604	1I16	10	40 - 77	AH160785	2C13	8	50 - 33	AH162821	4B13	26	120 - 7
AH158635	3I11	16	110 - 33	AH160785	2C13	12	50 - 33	AH162827	4B13	26	120 - 7
AH158635	4J16	10	125 - 40	AH160785	2C13	15	50 - 33	AH162833	4B13	26	120 - 7
AH158635	5B12	10	130 - 7	AH160785	2C13	19	50 - 33	AH162914	1E20	24	30 - 3
AH158673	1F2	17	30 - 9	AH160785	2C13	..	50 - 33	AH163345	1F16	1	40 - 3
AH158689	1H18	11	40 - 55	AH160785	2E8	3	50 - 79	AH163527	1F20	7	40 - 7
AH158821	4H18	12	121 - 77	AH160785	2E8	6	50 - 79	AH163527	3E22	7	90 - 31
AH158880	5D15	45	130 - 63	AH160790	2C10	2	50 - 29	AH163594	1F2	12	30 - 9
AH158880	5E6	4	170 - 5	AH160790	2C10	8	50 - 29	AH163646	3C4	1	80 - 23
AH158988	1H6	11	40 - 43	AH160790	2C10	..	50 - 29	AH163708	3F24	8	90 - 57
AH159024	3F24	18	90 - 57	AH160790	2C10	..	50 - 29	AH163761	4D2	5	120 - 47
AH159026	3G17	4	90 - 75	AH160790	2C11	3	50 - 30	AH163761	4D2	7	120 - 47
AH159053	3I21	19	110 - 43	AH160790	2C11	10	50 - 30	AH163802	4F12	20	121 - 23
AH159053	3I25	14A	110 - 47	AH160790	2C11	..	50 - 30	AH163803	4F20	46	121 - 31
AH159053	3I25	14B	110 - 47	AH160790	2C13	4	50 - 33	AH163920	4B13	..	120 - 7
AH159054	3I21	19	110 - 43	AH160790	2C13	8	50 - 33	AH163921	4B13	..	120 - 7
AH159054	3I25	14A	110 - 47	AH160790	2C13	12	50 - 33	AH163979	1H24	18	40 - 61
AH159054	3I25	14B	110 - 47	AH160790	2C13	15	50 - 33	AH163979	5C24	3A	130 - 45
AH159061	3D14	8	80 - 59	AH160790	2C13	19	50 - 33	AH163979	5C24	7	130 - 45
AH159078	3G17	2	90 - 75	AH160790	2C13	..	50 - 33	AH164365	3B18	5	80 - 13
AH159078	3G19	1	90 - 77	AH160790	2E8	3	50 - 79	AH164497	1J22	12	40 - 107
AH159079	3D18	10	90 - 3	AH160790	2E8	6	50 - 79	AH164570	4J15	..	125 - 39
				AH160994	4J25	17	125 - 51				

NUMERICAL INDEX - CONTINUED

PART NO.	GRID	KEY	PAGE	PART NO.	GRID	KEY	PAGE	PART NO.	GRID	KEY	PAGE
AH164609	5C25	10	130 - 46	AH87141	4F20	30	121 - 31	AH94853	4F20	21	121 - 31
AH164841	5D15	4	130 - 63	AH87272	3B14	18	80 - 9	AH96244	4F18	19	121 - 29
AH164868	5B25	20	130 - 21	AH87765	4J16	10	125 - 40	AH96317	1F6	10	30 - 13
AH164868	5B25	24	130 - 21	AH87806	1F24	3	40 - 11	AH96317	1G6	4	40 - 17
AH165877	1K1	1	40 - 111	AH89486	2G25	16	70 - 13	AH96317	1G8	11	40 - 19
AH165877	1K2	1	40 - 112	AH89486	2H2	6	70 - 15	AH96317	1G19	17	40 - 31
AH165936	4H18	10	121 - 77	AH89486	3H18	28	110 - 15	AH96317	1G21	17	40 - 33
AH165937	4H18	1	121 - 77	AH89557	1F10	7	30 - 17	AH96317	1G23	18	40 - 35
AH165990	3E12	15	90 - 21	AH89557	1F16	4	40 - 3	AH96317	1G25	18	40 - 37
AH166546	1H12	8	40 - 49	AH89557	1G6	2	40 - 17	AH96317	1H2	9	40 - 39
AH166713	3C21	1	80 - 41	AH89557	1G8	4	40 - 19	AH96317	1H4	9	40 - 41
AH166713	5C8	42	130 - 29	AH89557	1G19	27	40 - 31	AH96317	1H16	3	40 - 53
AH166714	3C23	1	80 - 43	AH89557	1G21	27	40 - 33	AH96317	1H16	15	40 - 53
AH166714	5C8	23	130 - 29	AH89557	1G23	12	40 - 35	AH96317	1I13	2	40 - 74
AH166910	2B12	4	50 - 6	AH89557	1G25	12	40 - 37	AH96317	1I18	8	40 - 79
AH166953	2I11	12	70 - 47	AH89557	1H2	6	40 - 39	AH96317	2F8	11	60 - 21
AH167146	4E10	1	120 - 81	AH89557	1H4	6	40 - 41	AH96317	2H14	1	70 - 27
AH167433	5C16	31	130 - 37	AH89557	1H6	2	40 - 43	AH96317	2J6	8	70 - 67
AH167434	2G9	4	60 - 49	AH89557	1H8	12	40 - 45	AH96317	3B14	24	80 - 9
AH167553	2J9	..	70 - 70	AH89557	1H10	15	40 - 47	AH96317	3G7	11	90 - 65
AH167582	2G10	1	60 - 50	AH89557	1H12	12	40 - 49	AH96317	3G15	10	90 - 73
AH167584	2G9	4	60 - 49	AH89557	1H16	4	40 - 53	AH96317	4K6	2	125 - 57
AH167847	5D12	5	130 - 59	AH89557	1H16	15	40 - 53	AH96317	4K8	2	125 - 59
AH167848	5D12	6	130 - 59	AH89557	1H24	15	40 - 61	AH96345	3H6	21	110 - 3
AH168093	5C10	..	130 - 31	AH89557	1I2	6	40 - 63	AH96585	5C16	5	130 - 37
AH168231	1G25	20B	40 - 37	AH89557	1I2	18	40 - 63	AH97031	4F20	7	121 - 31
AH168300	5C16	37	130 - 37	AH89557	1I3	2	40 - 64	AH97031	4G14	10	121 - 49
AH168683	4F10	18	121 - 21	AH89557	1J16	6	40 - 101	AH97031	4H6	29	121 - 65
AH168934	3B12	18A	80 - 7	AH89557	1J20	6	40 - 105	AH97280	2F12	11	60 - 25
AH168934	3B12	18B	80 - 7	AH89557	2E24	4	60 - 13	AH97280	2H20	2	70 - 33
AH169233	4J15	25	125 - 39	AH89557	3B14	23	80 - 9	AH97340	3H16	2	110 - 13
AH20868	2B23	19	50 - 17	AH89557	3C4	2	80 - 23	AH97642	3H6	30	110 - 3
AH21815	5B25	19	130 - 21	AH89557	3C10	3	80 - 29	AH97642	3J6	19	110 - 53
AH64349	3G24	1	90 - 83	AH89557	3D2	18	80 - 47	AH97920	2F10	34	60 - 23
AH64610	2G10	1	60 - 50	AH89557	3D18	14	90 - 3	AH97920	3G9	34	90 - 67
AH75167	2G22	2	70 - 10	AH89557	3I9	19	110 - 31	AH98118	5C25	1	130 - 46
AH75167	2G23	1	70 - 11	AH89557	4C6	2	120 - 25	AH98176	4J23	7	125 - 48
AH75167	2H8	7	70 - 21	AH89557	4E2	..	120 - 73	AL14674	4C25	22	120 - 45
AH75167	4J7	15	125 - 31	AH89557	5D25	2	160 - 5	AL14674	4G16	50	121 - 51
AH77279	1J16	3	40 - 101	AH89557	5D25	5	160 - 5	AL2976T	1J6	20	40 - 91
AH77279	3I9	19	110 - 31	AH90963	5C16	3	130 - 37	AM108845	1G8	18	40 - 19
AH77279	4F18	11	121 - 29	AH90990	1E24	13	30 - 7	AM53945	1H18	25	40 - 55
AH77714	5D18	8	130 - 67	AH90990	1H2	5	40 - 39	AN102010	4E4	13	120 - 75
AH77724	1H24	16	40 - 61	AH90990	1H4	5	40 - 41	AN102382	3H12	3	110 - 9
AH77724	2B21	21	50 - 15	AH90990	1H8	8	40 - 45	AN102383	3H12	1	110 - 9
AH77724	3E24	22	90 - 33	AH90990	1H10	15	40 - 47	AN102383	3I5	6	110 - 26
AH77724	3G15	13	90 - 73	AH90990	1H16	18	40 - 53	AN113330	3H8	29	110 - 5
AH77869	1E24	4	30 - 7	AH90990	1I16	6	40 - 77	AN122493	2C13	28	50 - 33
AH77869	1G4	36	40 - 15	AH90990	1I18	10	40 - 79	AN122494	2C18	11	50 - 39
AH77869	1G23	5	40 - 35	AH90990	1I20	5	40 - 81	AN122497	2C22	11	50 - 43
AH77869	1G25	5	40 - 37	AH90990	2D22	15	50 - 69	AN122498	2C15	5	50 - 35
AH77869	1H24	19	40 - 61	AH90990	3D18	14	90 - 3	AN122498	2C16	5	50 - 36
AH77869	2G23	7	70 - 11	AH90990	4C12	24	120 - 31	AN122499	2C18	12	50 - 39
AH77869	2H20	12	70 - 33	AH90990	4F8	10	121 - 19	AN122502	2C13	22	50 - 33
AH77869	3G15	9	90 - 73	AH90990	4F10	21	121 - 21	AN122506	2C13	13	50 - 33
AH77869	3G24	10	90 - 83	AH93110	3H8	35	110 - 5	AN122507	2C13	34	50 - 33
AH77884	5B8	31	130 - 3	AH93171	4C6	19	120 - 25	AN122507	2C20	19	50 - 41
AH78124	2G23	8	70 - 11	AH93318	4C12	1	120 - 31	AN122509	2C13	35	50 - 33
AH78125	2G22	3	70 - 10	AH93318	4E23	26	121 - 9	AN122509	2C20	18	50 - 41
AH80335	3D20	7	90 - 5	AH93318	4H6	29	121 - 65	AN122518	2C13	32	50 - 33
AH80335	3E4	15	90 - 13	AH93892	2G2	9	60 - 41	AN122518	2I15	21	70 - 51
AH80335	5C6	11	130 - 27	AH94450	3H14	11	110 - 11	AN130930	1F2	18	30 - 9
AH80916	2B11	10	50 - 5	AH94450	3H16	10	110 - 13	AN142665	3J2	6	110 - 49
AH84695	2D11	5	50 - 58	AH94450	4G16	14	121 - 51	AN15237	4H6	12	121 - 65
AH85276	4J20	8	125 - 45	AH94450	4H2	10	121 - 61	AN15237	5C2	8	130 - 23
AH86866	2G10	8	60 - 50	AH94450	5C2	5	130 - 23	AN193084	2C18	25	50 - 39
AH86897	4J16	12	125 - 40	AH94661	5C25	3	130 - 46	AN193085	2C10	23	50 - 29

NUMERICAL INDEX - CONTINUED

PART NO.	GRID	KEY	PAGE	PART NO.	GRID	KEY	PAGE	PART NO.	GRID	KEY	PAGE
AN193085	2C10	27	50 - 29	AT107509	1C22	11	24 - 19	A25994	4E17	8	121 - 3
AN193085	2C10	28	50 - 29	AT112176	1B15	10	20 - 11	A27238	1B20	3	20 - 17
AN193085	2C20	39	50 - 41	AT130104	1J24	1	40 - 109	A2913R	1B22	7	20 - 19
AN193085	2C20	41	50 - 41	AT135485	1F24	13	40 - 11	A2913R	5E10	2	170 - 9
AN193085	2C20	44	50 - 41	AT135485	1F24	17	40 - 11	A31867	3B24	28	80 - 19
AN272356	2C22	9	50 - 43	AT13740	1C7	4	24 - 3	A31867	3H16	9	110 - 13
AN274375	2C13	6	50 - 33	AT13740	1D11	17	24 - 33	A31867	4B15	25	120 - 9
AN274375	2C13	7	50 - 33	AT13740	1D13	1	24 - 35	A31869	5D15	7	130 - 63
AN274375	2C13	..	50 - 33	AT13740	1E20	13	30 - 3	A31870	4J11	23	125 - 35
AN274375	2C14	2	50 - 34	AT13740	1E24	16	30 - 7	A31871	3I17	3	110 - 39
AN274375	2C14	4	50 - 34	AT13740	1F8	6	30 - 15	A31871	5D15	15	130 - 63
AN274375	2C14	..	50 - 34	AT141987	1G13	8	40 - 25	A3581R	5C2	18	130 - 23
AR100124	1C24	2	24 - 21	AT146272	4F14	5	121 - 25	A37576	4D14	5	120 - 59
AR104516	1G17	11	40 - 29	AT162597	1F10	9	30 - 17	A37576	4D16	10	120 - 61
AR104650	1D21	..	24 - 43	AT18904	1E20	4	30 - 3	A37576	4D20	5	120 - 65
AR21839	5D8	26	130 - 55	AT18904	1E24	5	30 - 7	A3917R	2C18	24	50 - 39
AR21999	1F8	1	30 - 15	AT18904	1J22	5	40 - 107	A4365R	1C7	18	24 - 3
AR21999	3G11	27	90 - 69	AT207952	1I5	13	40 - 66	A44990	3H20	36	110 - 17
AR21999	3G24	27	90 - 83	AT22070	3E14	1	90 - 23	A44990	4J15	34	125 - 39
AR28403	1F24	11	40 - 11	AT22073	3E14	3	90 - 23	A4655R	2I15	1	70 - 51
AR31790	1C24	..	24 - 21	AT25226	2B12	5	50 - 6	A4655R	2I17	1	70 - 53
AR42591	1I2	12	40 - 63	AT25226	2G9	9	60 - 49	A4655R	2I18	1	70 - 54
AR48751	1B16	4	20 - 12	AT25226	2G10	7	60 - 50	A4655R	2I19	1	70 - 55
AR49025	1C8	..	24 - 4	AT28975	4F2	16	121 - 13	A4655R	2I21	21	70 - 57
AR49025	1C19	1	24 - 16	AT36212	2B13	8	50 - 7	A4655R	2I23	23	70 - 59
AR49352	1J20	9	40 - 105	AT37368	1H18	9	40 - 55	A4730R	4F10	20	121 - 21
AR50411	1B18	1	20 - 15	AT37476	1B15	5	20 - 11	A4741R	3G4	3	90 - 61
AR51481	2F8	1	60 - 21	AT37476	1B15	6	20 - 11	A50743	1J16	7	40 - 101
AR51481	3G7	1	90 - 65	AT39043	1G19	1	40 - 31	A50743	3I13	4	110 - 35
AR55394	1D5	16	24 - 27	AT39043	1G21	1	40 - 33	A50744	1B7	27	20 - 3
AR55649	1I20	7	40 - 81	AT39141	1B15	2	20 - 11	A51212	4B13	..	120 - 7
AR56766	1G4	32	40 - 15	AT40603	2C2	1	50 - 21	A51212	4H8	3	121 - 67
AR58952	1D5	15	24 - 27	AT63272	2C11	9	50 - 30	A51212	4H12	8	121 - 71
AR58952	1E8	36	24 - 55	AT66481	1G13	7	40 - 25	A51212	4H14	8	121 - 73
AR60937	1G4	34	40 - 15	AT66481	1G13	8	40 - 25	A51212	4H20	8	121 - 79
AR61533	1C7	17	24 - 3	AT66481	1G13	9	40 - 25	A51212	5C2	16	130 - 23
AR61589	1C7	19	24 - 3	AT74407	1F6	1	30 - 13	BH71727	2G9	..	60 - 49
AR62399	1B18	7	20 - 15	AT74407	1F6	2	30 - 13	BH71727	2G10	..	60 - 50
AR62407	1F22	1	40 - 9	AT81268	1E22	13	30 - 5	BH71728	2G9	..	60 - 49
AR65005	1J7	1	40 - 92	AT81476	1E22	12	30 - 5	BH71728	2G10	..	60 - 50
AR65006	1J7	2	40 - 92	AT81477	1E22	10	30 - 5	BH71735	2G9	..	60 - 49
AR71107	3F6	1	90 - 39	AT81478	1E22	11	30 - 5	BH71735	2G10	..	60 - 50
AR71107	3F6	..	90 - 39	AT85197	2J22	10	70 - 83	BH71746	2C23	..	50 - 44
AR71108	3F6	18	90 - 39	AU40993	2D11	2	50 - 58	BH71746	2D11	..	50 - 58
AR71109	3F6	19	90 - 39	AU43853	1G13	4	40 - 25	BH71746	2D12	..	50 - 59
AR73144	1I16	16	40 - 77	AU43857	1G13	3	40 - 25	BH71746	2E2	..	50 - 73
AR75693	2F6	17	60 - 19	AW12765	2E23	1	60 - 12	BH71746	2E4	..	50 - 75
AR79548	1G15	1	40 - 27	AZ10044	1B7	36	20 - 3	BH71877	4B21	..	120 - 15
AR79549	1G15	17	40 - 27	AZ10044	4C25	5	120 - 45	BH71877	4F24	..	121 - 35
AR79550	1G15	11	40 - 27	AZ10044	4J25	4	125 - 51	BH71883	2E2	..	50 - 73
AR85519	1D21	21	24 - 43	AZ10044	4J25	12	125 - 51	BH71883	2E4	..	50 - 75
AR85519	1D21	..	24 - 43	AZ10044	5B8	3	130 - 3	BH71935	4G4	..	121 - 39
AR86539	2D2	3	50 - 49	AZ10045	4C8	8	120 - 27	BH71948	1G11	..	40 - 23
AR86539	2D8	3	50 - 55	AZ10045	4J11	3	125 - 35	BH78337	1I3	..	40 - 64
AR86603	1F6	1	30 - 13	AZ10045	4J22	13	125 - 47	BH78343	3F4	..	90 - 37
AR86745	1C8	..	24 - 4	AZ10045	5B8	9	130 - 3	BH78486	4B15	..	120 - 9
AR86745	1E4	7	24 - 51	AZ10045	5B16	2	130 - 11	BH78575	4D8	..	120 - 53
AR88903	1D23	19	24 - 45	AZ19427	3I25	15	110 - 47	BH78881	2E2	..	50 - 73
AR91793	1J4	42	40 - 89	AZ20216	4H4	15	121 - 63	BH78882	2F22	..	60 - 35
AR93173	1C24	6	24 - 21	AZ49144	2I1	2	70 - 37	BH79019	2G22	..	70 - 10
AR94522	2H8	6	70 - 21	AZ51851	2I15	36	70 - 51	BH79019	2G23	..	70 - 11
AR94522	2H12	32	70 - 25	A15147	3C18	17	80 - 37	BH79118	1H18	..	40 - 55
AR94522	4J7	16	125 - 31	A15147	5C10	3	130 - 31	BH79199	2G4	..	60 - 43
AR94761	2B23	6	50 - 17	A15898	2H12	36	70 - 25	BH79239	4F22	..	121 - 33
AR98850	1C13	9	24 - 10	A22724	5D10	9	130 - 57	BH79239	4F24	..	121 - 35
AT106398	3F12	1	90 - 45	A24915	1B20	5	20 - 17	BH79485	1G4	..	40 - 15
AT106413	1F10	4	30 - 17	A25695	3H16	15	110 - 13	BH79485	1I22	..	40 - 83

NUMERICAL INDEX - CONTINUED

PART NO.	GRID	KEY	PAGE	PART NO.	GRID	KEY	PAGE	PART NO.	GRID	KEY	PAGE
BH79539	1J22	..	40 - 107	BH81218	2B14	..	50 - 8	CE16592	4E19	2	121 - 5
BH79543	3H22	..	110 - 19	BH81236	2B14	..	50 - 8	CE16592	4E21	1	121 - 7
BH79677	4I4	..	125 - 3	BH81237	2B14	..	50 - 8	CE16593	4E21	19	121 - 7
BH79711	1F22	..	40 - 9	BH81238	2B14	..	50 - 8	CE16594	4E19	5	121 - 5
BH79711	1F24	..	40 - 11	BH81239	2B14	..	50 - 8	CE16594	4E21	4	121 - 7
BH79715	1G4	..	40 - 15	BH81240	2B14	..	50 - 8	CE16595	4E19	4	121 - 5
BH79773	4D4	..	120 - 49	BH81241	2B14	..	50 - 8	CE16595	4E21	3	121 - 7
BH79815	4I18	..	125 - 17	BH81242	2B14	..	50 - 8	CE16596	4E19	17	121 - 5
BH79826	2C6	..	50 - 25	BH81243	2B14	..	50 - 8	CE16596	4E21	18	121 - 7
BH79828	2C6	..	50 - 25	BH81255	1J18	..	40 - 103	CE16598	4E19	20	121 - 5
BH79902	1I22	..	40 - 83	BH81311	2H6	..	70 - 19	CE17940	4F6	23	121 - 17
BH79903	2D11	..	50 - 58	BH81335	4B17	..	120 - 11	CE18015	5B25	17	130 - 21
BH79904	2E4	..	50 - 75	BH81356	1F20	..	40 - 7	CE18180	4F6	22	121 - 17
BH79964	2D18	..	50 - 65	BH81362	4H6	..	121 - 65	CE18180	4F6	24	121 - 17
BH79964	2D20	..	50 - 67	BH81375	2B13	..	50 - 7	CE18181	4F6	24	121 - 17
BH79980	4E10	..	120 - 81	BH81376	2B14	..	50 - 8	CE18201	2B25	1	50 - 19
BH80002	2C23	..	50 - 44	BH81380	4B15	..	120 - 9	CE18206	2E22	22	60 - 11
BH80002	2D11	..	50 - 58	BH81385	2H12	..	70 - 25	CE18223	2B25	17	50 - 19
BH80002	2D12	..	50 - 59	BH81385	2H14	..	70 - 27	CE18224	2C2	10	50 - 21
BH80002	2E2	..	50 - 73	BH81385	2H16	..	70 - 29	CE18224	2C2	11	50 - 21
BH80002	2E4	..	50 - 75	BH81389	2G25	..	70 - 13	CE18400	4F16	9	121 - 27
BH80017	4F24	..	121 - 35	BH81389	2H2	..	70 - 15	C10263	4J16	10	125 - 40
BH80066	5B8	..	130 - 3	BH81389	2H4	..	70 - 17	C10263	5B12	10	130 - 7
BH80117	4I4	..	125 - 3	BH81466	4B15	..	120 - 9	C16071	2F22	..	60 - 35
BH80117	4I8	..	125 - 7	BH81477	4B15	..	120 - 9	C3203E	3B24	12	80 - 19
BH80117	4I10	..	125 - 9	BH81485	2B14	..	50 - 8	C3936E	2C2	2	50 - 21
BH80117	4I12	..	125 - 11	BH81541	4B13	..	120 - 7	DA16616	1J25	3	40 - 110
BH80118	1F20	..	40 - 7	BH81578	1G15	..	40 - 27	DA22761	1J25	7	40 - 110
BH80118	1H12	..	40 - 49	BH81704	2B16	..	50 - 10	DC30395	4E25	24	121 - 11
BH80118	3E22	..	90 - 31	BH81705	2B16	..	50 - 10	DE17503	4E19	3	121 - 5
BH80119	4B19	..	120 - 13	BH81749	2B14	..	50 - 8	DE17503	4E21	2	121 - 7
BH80129	4C25	..	120 - 45	BH81750	2B14	..	50 - 8	DE17851	4C16	8	120 - 35
BH80129	4D2	..	120 - 47	BH81751	2B14	..	50 - 8	DE17852	4C16	5	120 - 35
BH80132	4E2	..	120 - 73	BH81752	2B14	..	50 - 8	DE17853	4C16	7	120 - 35
BH80132	4E10	..	120 - 81	BP12946	3J8	4	110 - 55	DE18923	4F6	40	121 - 17
BH80133	2G9	..	60 - 49	BP13616	4H4	13	121 - 63	DE18970	5C25	3	130 - 46
BH80267	2G15	..	70 - 3	BP13620	3H8	22	110 - 5	DE19018	4F6	10	121 - 17
BH80267	2I3	..	70 - 39	B10604	4G14	3	121 - 49	DE19111	5B25	14	130 - 21
BH80337	5B20	..	130 - 15	B27370	5C6	12	130 - 27	DE19111	5B25	20	130 - 21
BH80337	5B23	..	130 - 18	B28970	4H18	7	121 - 77	DE19111	5B25	24	130 - 21
BH80390	4J9	..	125 - 33	B28970	4H24	9	121 - 83	DE19111	5B25	25	130 - 21
BH80498	4B15	..	120 - 9	B28970	4I10	12	125 - 9	E10018	4C23	19	120 - 43
BH80529	4H18	..	121 - 77	B2984R	1B12	2	20 - 8	E10018	4G16	42	121 - 51
BH80671	3E10	..	90 - 19	B2984R	4H4	14	121 - 63	E10018	4J11	4	125 - 35
BH80672	3E10	..	90 - 19	B3118R	3H6	8	110 - 3	E10018	4J16	5	125 - 40
BH81052	3E14	..	90 - 23	B3118R	3H8	13	110 - 5	E10018	4J22	14	125 - 47
BH81076	3F14	..	90 - 47	B3118R	4G10	8	121 - 45	E10018	5B16	3	130 - 11
BH81084	2H22	..	70 - 35	B32564	2E22	23	60 - 11	E12305	4G2	22	121 - 37
BH81122	5B20	..	130 - 15	B32630	1I8	2	40 - 69	E12378	4E8	5	120 - 79
BH81122	5B23	..	130 - 18	B32630	3D4	12	80 - 49	E12379	4C10	19	120 - 29
BH81124	5B20	..	130 - 15	B3690R	2F8	36	60 - 21	E12379	4E8	3	120 - 79
BH81124	5B23	..	130 - 18	B3690R	3G7	36	90 - 65	E12379	4K6	4	125 - 57
BH81126	3C14	..	80 - 33	CC40740	5F24	1	170 - 47	E12379	4K8	6	125 - 59
BH81146	2B13	..	50 - 7	CC40740	5G11	13	170 - 59	E12379	5D20	1	130 - 69
BH81147	2B13	..	50 - 7	CE16510	4E19	..	121 - 5	E1343FN	1C13	1	24 - 10
BH81148	2B13	..	50 - 7	CE16510	4E21	..	121 - 7	E14814	4E17	9	121 - 3
BH81149	2B13	..	50 - 7	CE16511	4E19	1	121 - 5	E16774	4C14	4	120 - 33
BH81159	3F7	..	90 - 40	CE16512	4E19	13	121 - 5	E18993	4G8	6	121 - 43
BH81159	3F8	..	90 - 41	CE16512	4E21	12	121 - 7	E47782	4B15	18	120 - 9
BH81162	4B13	..	120 - 7	CE16518	4E19	10	121 - 5	E47782	4B17	10	120 - 11
BH81165	5D13	..	130 - 60	CE16518	4E21	9	121 - 7	E50096	4B11	11	120 - 5
BH81191	4G20	..	121 - 55	CE16519	4E19	16	121 - 5	E53699	3H8	12	110 - 5
BH81209	2B14	..	50 - 8	CE16519	4E21	14	121 - 7	E55662	1D17	4	24 - 39
BH81210	2B14	..	50 - 8	CE16544	4E19	15	121 - 5	E55662	1E12	1	24 - 59
BH81211	2B14	..	50 - 8	CE16544	4E21	15	121 - 7	E55662	5C20	8	130 - 41
BH81212	2B14	..	50 - 8	CE16591	4E19	23	121 - 5	E55758	2D4	6	50 - 51
BH81217	2B14	..	50 - 8	CE16591	4E21	22	121 - 7	E56866	4F14	15	121 - 25

NUMERICAL INDEX - CONTINUED

PART NO.	GRID	KEY	PAGE	PART NO.	GRID	KEY	PAGE	PART NO.	GRID	KEY	PAGE
E59406	4H4	10	121 - 63	H103264	4J25	5	125 - 51	H108745	2J4	11	70 - 65
E61326	4I6	9	125 - 5	H103264	4J25	13	125 - 51	H108822	2F8	34	60 - 21
E61326	5E5	9	170 - 4	H103264	5B8	4	130 - 3	H108822	3G7	34	90 - 65
E61791	2J2	1	70 - 63	H103264	5D8	15	130 - 55	H108889	3J6	4	110 - 53
E61791	4J9	1	125 - 33	H103265	4E4	12	120 - 75	H109046	2F14	18	60 - 27
E62089	2I15	6	70 - 51	H103265	5D10	19	130 - 57	H109046	2H12	23	70 - 25
E62089	2I17	6	70 - 53	H103265	5D15	33	130 - 63	H109046	2H16	12	70 - 29
E62089	2I19	6	70 - 55	H103543	2G9	1	60 - 49	H109046	2I11	6	70 - 47
E62094	2I19	14	70 - 55	H103543	2G10	3	60 - 50	H109254	2E18	15	60 - 7
E62892	2I21	6	70 - 57	H104075	2E14	31	60 - 3	H109716	2E14	26	60 - 3
E62917	2I17	23	70 - 53	H104418	1G23	15	40 - 35	H109855	3I17	7	110 - 39
E62917	2I21	11	70 - 57	H104418	1G25	15	40 - 37	H110168	4G8	2	121 - 43
E62917	2I21	26	70 - 57	H104418	2C2	24	50 - 21	H110178	4F8	1	121 - 19
E62917	2I23	13	70 - 59	H104793	1H13	3	40 - 50	H110229	2F10	6	60 - 23
E62917	2I23	28	70 - 59	H104793	4E17	22	121 - 3	H110229	3G9	6	90 - 67
E62942	2I15	2	70 - 51	H104793	4H16	5	121 - 75	H110232	2E14	14	60 - 3
E62942	2I17	2	70 - 53	H104794	1H13	3	40 - 50	H110237	4F20	33	121 - 31
E62942	2I18	2	70 - 54	H104794	4E17	21	121 - 3	H110310	2F10	5	60 - 23
E62942	2I19	2	70 - 55	H104794	4H16	4	121 - 75	H110310	3G9	5	90 - 67
E62942	2I21	19	70 - 57	H104795	1H13	4	40 - 50	H110337	4G2	35	121 - 37
E62942	2I23	21	70 - 59	H104795	4C23	7	120 - 43	H110462	4G2	26	121 - 37
E62951	3H12	6	110 - 9	H104796	1H13	4	40 - 50	H110521	4G2	24	121 - 37
E62951	3I5	5	110 - 26	H104796	4C23	8	120 - 43	H110539	2B23	31	50 - 17
E64256	1G11	4	40 - 23	H104855	1J2	9	40 - 87	H110539	2B25	15	50 - 19
E64256	2E14	36	60 - 3	H105005	2E14	32	60 - 3	H110542	4G4	6	121 - 39
E64256	3B12	17	80 - 7	H105005	2E16	14	60 - 5	H110700	2F10	21	60 - 23
E64256	5D15	14	130 - 63	H105519	4J15	16	125 - 39	H110700	3G9	21	90 - 67
E65288	2C10	..	50 - 29	H105578	4G16	57	121 - 51	H110728	3H6	15	110 - 3
E65288	2C11	..	50 - 30	H105584	3I17	20	110 - 39	H110800	4F8	13	121 - 19
E65288	2C13	..	50 - 33	H105590	3I17	9	110 - 39	H110800	4F10	5	121 - 21
E65288	2C15	28	50 - 35	H105822	2B13	2	50 - 7	H110801	4F8	15	121 - 19
E65288	2C16	25	50 - 36	H106000	1J22	4	40 - 107	H110801	4F10	7	121 - 21
E65288	2E8	3	50 - 79	H106073	3H8	25	110 - 5	H110812	2F8	13	60 - 21
E65288	2E8	6	50 - 79	H106246	1G4	6	40 - 15	H110812	3G7	13	90 - 65
E65288	2I25	2B	70 - 61	H107389	4G10	16	121 - 45	H110842	3H2	1	90 - 85
E66618	2I15	24	70 - 51	H107504	2B15	3	50 - 9	H110922	3H6	10	110 - 3
E66619	2I15	19	70 - 51	H107504	2B17	1	50 - 11	H110922	3J6	2	110 - 53
E66620	2I15	18	70 - 51	H107566	2F10	4	60 - 23	H110923	5G8	4	170 - 55
E73522	4C12	2	120 - 31	H107566	3E2	18	90 - 11	H111041	4G2	2	121 - 37
E76584	4C8	11	120 - 27	H107566	3G9	4	90 - 67	H111042	4G2	28	121 - 37
E81185	3I2	9	110 - 23	H107567	2F10	33	60 - 23	H111234	2E16	13	60 - 5
E82510	5E16	4	170 - 15	H107567	3G9	33	90 - 67	H111260	4G2	1	121 - 37
E82514	3J8	9	110 - 55	H107570	2F10	50	60 - 23	H111261	4G2	1	121 - 37
E82575	5F4	4	170 - 27	H107570	3G9	50	90 - 67	H111262	4G2	1	121 - 37
F1743R	1C7	11	24 - 3	H107581	2F10	12	60 - 23	H111364	1F18	2	40 - 5
F3220R	1G11	22	40 - 23	H107581	3G9	12	90 - 67	H111364	1F18	25	40 - 5
F3220R	1G13	21	40 - 25	H107582	2F10	28	60 - 23	H111364	1J20	2	40 - 105
GG310-30411	2I25	1	70 - 61	H107582	3G9	28	90 - 67	H111364	3F24	16	90 - 57
HZ5621H	3D6	14	80 - 51	H107584	2F10	29	60 - 23	H111364	3H2	2	90 - 85
H100027	5D6	16	130 - 53	H107584	3G9	29	90 - 67	H111378	2G15	1	70 - 3
H100245	3I19	22	110 - 41	H107586	2F10	51	60 - 23	H111474	4F6	30	121 - 17
H100246	3I19	21	110 - 41	H107586	3G9	51	90 - 67	H111478	3E10	7	90 - 19
H100247	3I19	19	110 - 41	H107687	2F8	12	60 - 21	H111500	2B13	3	50 - 7
H101297	4J15	15	125 - 39	H107687	2F10	8	60 - 23	H111538	2B14	..	50 - 8
H101297	5B10	1	130 - 5	H107687	3G7	12	90 - 65	H111541	2B12	..	50 - 6
H101448	3I19	12	110 - 41	H107687	3G9	8	90 - 67	H111541	2G9	..	60 - 49
H101677	3I17	8	110 - 39	H107793	3H6	3	110 - 3	H111705	3F24	12	90 - 57
H101813	5E3	1	170 - 2	H108291	2H18	12	70 - 31	H111705	3H2	3	90 - 85
H101878	4F4	5	121 - 15	H108604	2B12	..	50 - 6	H111706	1F24	2	40 - 11
H102206	2G2	4	60 - 41	H108604	2G10	..	60 - 50	H111706	1G4	14	40 - 15
H102533	4C23	21	120 - 43	H108604	5G9	2	170 - 56	H111706	3F24	3	90 - 57
H102533	4F20	36	121 - 31	H108604	5G9	4	170 - 56	H111706	3G11	35	90 - 69
H102533	4G16	43	121 - 51	H108605	2B14	..	50 - 8	H111706	3H2	4	90 - 85
H102909	5D12	7	130 - 59	H108605	5G9	4	170 - 56	H111730	2D16	21	50 - 63
H103167	2B25	8	50 - 19	H108673	3H6	7	110 - 3	H111730	2D18	2	50 - 65
H103264	1B7	37	20 - 3	H108725	2F10	24	60 - 23	H111730	2F14	20	60 - 27
H103264	4C21	15	120 - 41	H108725	3G9	24	90 - 67	H111730	2I11	11	70 - 47

1K25

NUMERICAL INDEX - CONTINUED

PART NO.	GRID	KEY	PAGE	PART NO.	GRID	KEY	PAGE	PART NO.	GRID	KEY	PAGE
H111834	5G8	28	170 - 55	H114432	1B20	15	20 - 17	H116717	2H12	3	70 - 25
H111834	5G11	16	170 - 59	H114432	2H10	10	70 - 23	H116717	2H14	10	70 - 27
H112162	2G17	14	70 - 5	H114523	3D20	4	90 - 5	H116717	2H16	2	70 - 29
H112567	1B20	12	20 - 17	H114525	3D20	5	90 - 5	H116740	1116	1	40 - 77
H112567	2D16	20	50 - 63	H114535	4H8	9	121 - 67	H116740	3B14	4	80 - 9
H112567	2D18	3	50 - 65	H114536	4H8	15	121 - 67	H116861	4G6	5	121 - 41
H112567	2D24	13	50 - 71	H114537	4H8	10	121 - 67	H116862	4E23	12	121 - 9
H112567	2E4	5	50 - 75	H114538	4H8	14	121 - 67	H116862	4G6	4	121 - 41
H112567	2E10	5	50 - 81	H114687	4G2	34	121 - 37	H116862	4H2	16	121 - 61
H112567	2F4	11	60 - 17	H114688	4G2	38	121 - 37	H116894	2H21	5	70 - 34
H112567	2F14	21	60 - 27	H114689	4G2	44	121 - 37	H116916	4G18	15	121 - 53
H112567	2H8	11	70 - 21	H114738	5D15	42	130 - 63	H117239	1F18	12	40 - 5
H112567	2H10	15	70 - 23	H114818	1B9	1	20 - 5	H117239	1G17	19	40 - 29
H112567	2I9	6	70 - 45	H114865	2D24	11	50 - 71	H117703	4G2	15	121 - 37
H112567	2I11	10	70 - 47	H114865	2E4	4	50 - 75	H117937	2H18	5	70 - 31
H112567	2J12	4	70 - 73	H114865	2E10	6	50 - 81	H117952	1H8	9	40 - 45
H112567	4J5	5	125 - 29	H114865	2I9	7	70 - 45	H117952	3G24	10	90 - 83
H112567	4J7	7	125 - 31	H114873	5D8	5	130 - 55	H118082	4G2	12	121 - 37
H112877	4G2	21	121 - 37	H114897	1B20	13	20 - 17	H118166	4C2	3	120 - 21
H112910	2E18	7	60 - 7	H114897	2H10	14	70 - 23	H118416	1F16	10	40 - 3
H112911	2E18	3	60 - 7	H114897	2H10	17	70 - 23	H118425	1H24	21	40 - 61
H112911	2E18	11	60 - 7	H114898	2D24	15	50 - 71	H118426	1G19	6	40 - 31
H113053	5C16	9	130 - 37	H114901	2D14	9	50 - 61	H118426	1G21	6	40 - 33
H113063	4G2	27	121 - 37	H114901	2D16	13	50 - 63	H118426	1H2	8	40 - 39
H113196	2E2	17	50 - 73	H114901	2D18	9	50 - 65	H118426	1H4	8	40 - 41
H113208	4G2	19	121 - 37	H114901	2D22	2	50 - 69	H118426	1H4	8	40 - 41
H113238	4G2	23	121 - 37	H114901	2D24	16	50 - 71	H118427	1G23	3	40 - 35
H113402	2F10	19	60 - 23	H114901	2D24	16	50 - 71	H118427	1G25	3	40 - 37
H113402	3G9	19	90 - 67	H115031	3G11	9	90 - 69	H118430	1F16	17	40 - 3
H113404	2F10	18	60 - 23	H115049	2C13	18	50 - 33	H118430	1G2	3	40 - 13
H113404	3G9	18	90 - 67	H115052	2C13	27	50 - 33	H118431	1F16	15	40 - 3
H113625	4C10	14	120 - 29	H115060	2C10	6	50 - 29	H118616	4F22	3	121 - 33
H113625	4C25	20	120 - 45	H115140	2F21	7	60 - 34	H118617	4F20	24	121 - 31
H113625	4E8	8	120 - 79	H115140	2F22	8	60 - 35	H118617	4F22	1	121 - 33
H113626	4C10	16	120 - 29	H115521	3G13	1	90 - 71	H118618	4F22	6	121 - 33
H113626	4C25	23	120 - 45	H115533	2F14	23	60 - 27	H118618	5E4	7	170 - 3
H113626	4E8	6	120 - 79	H115533	2F14	27	60 - 27	H118619	3G11	12	90 - 69
H113627	4G2	9	121 - 37	H115533	2G17	2	70 - 5	H118719	1B7	44	20 - 3
H113858	2F8	4	60 - 21	H115533	2H8	18	70 - 21	H118871	3G11	28	90 - 69
H113858	3G7	4	90 - 65	H115755	4F20	19	121 - 31	H118872	3G11	26	90 - 69
H113863	2F8	16	60 - 21	H115759	4F20	25	121 - 31	H118882	2C5	8	50 - 24
H113863	3G7	16	90 - 65	H115759	4G10	3	121 - 45	H118906	2J18	22	70 - 79
H113864	2F10	14	60 - 23	H115759	5E4	6	170 - 3	H118919	4F16	15	121 - 27
H113864	3G9	14	90 - 67	H115881	4F24	4	121 - 35	H118920	4F16	14	121 - 27
H113892	3H14	9	110 - 11	H115881	4G2	39	121 - 37	H118927	4F14	13	121 - 25
H113892	4E6	11	120 - 77	H115881	4G10	20	121 - 45	H118948	4C12	8	120 - 31
H113946	4G2	32	121 - 37	H115881	5E4	7	170 - 3	H118948	4J20	17	125 - 45
H113947	4G2	7	121 - 37	H115930	4F20	12	121 - 31	H119007	2B9	7	50 - 3
H114001	4G4	9	121 - 39	H115987	3F10	9	90 - 43	H119028	4F6	1	121 - 17
H114001	4H18	21	121 - 77	H116065	4E25	25	121 - 11	H119029	4F6	1	121 - 17
H114020	1I12	11	40 - 73	H116065	4G12	8	121 - 47	H119030	4F6	1	121 - 17
H114020	4I22	9	125 - 21	H116160	1H16	..	40 - 53	H119031	4F6	1	121 - 17
H114038	1F16	3	40 - 3	H116160	1H18	..	40 - 55	H119088	3D24	4	90 - 9
H114038	1G8	9	40 - 19	H116160	1I18	..	40 - 55	H119088	3H2	6	90 - 85
H114038	1G17	21	40 - 29	H116160	1I20	..	40 - 81	H119187	3G11	37	90 - 69
H114038	3E8	12	90 - 17	H116160	4F14	..	121 - 25	H119210	4G8	9	121 - 43
H114038	3H2	5	90 - 85	H116160	4F16	..	121 - 27	H119362	3G11	17	90 - 69
H114046	3G13	3	90 - 71	H116188	3E8	14	90 - 17	H119411	3B24	23	80 - 19
H114142	3G11	11	90 - 69	H116213	2I25	9	70 - 61	H119566	5D8	9	130 - 55
H114226	4F14	13	121 - 25	H116213	2J2	10	70 - 63	H119567	5D8	9	130 - 55
H114227	4F14	13	121 - 25	H116213	4J9	12	125 - 33	H119568	5D8	9	130 - 55
H114228	4F14	13	121 - 25	H116262	5D15	10	130 - 63	H119709	3I17	11	110 - 39
H114270	5G6	11	170 - 53	H116351	5C20	9	130 - 41	H119710	3I17	2	110 - 39
H114330	2E16	11	60 - 5	H116639	2B12	..	50 - 6	H119996	5D10	13	130 - 57
H114331	2E16	10	60 - 5	H116640	2B12	..	50 - 6	H119997	5D10	12	130 - 57
H114395	5D10	10	130 - 57	H116640	5G9	4	170 - 56	H120082	3B24	13	80 - 19
H114411	1H12	17	40 - 49	H116650	4H6	5	121 - 65	H120099	3G4	5	90 - 61
				H116706	2H18	9	70 - 31	H120362	2H10	21	70 - 23

NUMERICAL INDEX - CONTINUED

PART NO.	GRID	KEY	PAGE	PART NO.	GRID	KEY	PAGE	PART NO.	GRID	KEY	PAGE
H120362	4J5	3	125 - 29	H123794	3E4	3	90 - 13	H125838	4F2	17	121 - 13
H120379	3B10	19	80 - 5	H123796	3E8	16	90 - 17	H125838	4F14	12	121 - 25
H120388	2E16	6	60 - 5	H123873	2F8	25	60 - 21	H125838	4F16	5	121 - 27
H120389	2E16	5	60 - 5	H123873	3G7	25	90 - 65	H125839	4F8	7	121 - 19
H120490	4F22	8	121 - 33	H123874	2F10	20	60 - 23	H125840	4F8	11	121 - 19
H120499	3D4	14	80 - 49	H123874	3G9	20	90 - 67	H125841	4F8	8	121 - 19
H120499	5C6	10	130 - 27	H123875	2F10	25	60 - 23	H125842	4F8	8	121 - 19
H120659	3E18	22	90 - 27	H123875	3G9	25	90 - 67	H125843	4F8	8	121 - 19
H120800	4C2	7	120 - 21	H123877	2F10	2	60 - 23	H125844	4F8	8	121 - 19
H120801	4C2	6	120 - 21	H123877	3G9	2	90 - 67	H125873	1110	13	40 - 71
H120847	2F4	26	60 - 17	H123918	1B7	23	20 - 3	H125929	2I25	12	70 - 61
H120847	2F14	4	60 - 27	H123918	3B8	4	80 - 3	H125930	1G19	3	40 - 31
H120847	2F14	15	60 - 27	H123918	4I14	11	125 - 13	H125930	1G21	3	40 - 33
H120847	2H12	31	70 - 25	H123991	3E8	5	90 - 17	H126026	2J18	7	70 - 79
H120847	2H14	17	70 - 27	H123995	1F14	5	40 - 1	H126028	2J18	34	70 - 79
H120847	2I7	7	70 - 43	H123995	1F16	5	40 - 3	H126081	3E2	3	90 - 11
H120847	4J5	18	125 - 29	H123995	3E8	7	90 - 17	H126082	3E2	2	90 - 11
H121110	1H8	6	40 - 45	H123995	3F24	2	90 - 57	H126083	3E2	4	90 - 11
H121110	1J16	11	40 - 101	H123995	3H2	7	90 - 85	H126123	2B11	8	50 - 5
H121134	4G8	4	121 - 43	H123998	1G8	10	40 - 19	H126124	2B11	7	50 - 5
H121163	2D24	21	50 - 71	H123998	1J20	7	40 - 105	H126169	4H2	8	121 - 61
H121163	2F12	14	60 - 25	H123998	3G11	25	90 - 69	H126261	3J4	6	110 - 51
H121163	2F16	5	60 - 29	H123998	3G11	35	90 - 69	H126280	5D12	10	130 - 59
H121163	2H12	5	70 - 25	H124185	3G13	7	90 - 71	H126302	3J4	11	110 - 51
H121163	2H16	8	70 - 29	H124205	1I22	9	40 - 83	H126334	4H8	2	121 - 67
H121163	2J4	14	70 - 65	H124206	1I22	2	40 - 83	H126345	3H16	11	110 - 13
H121168	2F4	27	60 - 17	H124210	3D24	9	90 - 9	H126345	3J4	12	110 - 51
H121168	2F12	5	60 - 25	H124258	2E14	18	60 - 3	H126345	3J6	3	110 - 53
H121168	2F14	5	60 - 27	H124258	2E16	8	60 - 5	H126345	5E5	8	170 - 4
H121168	2H12	25	70 - 25	H124259	2E16	7	60 - 5	H126346	3H16	19	110 - 13
H121168	2H12	30	70 - 25	H124260	3D18	6	90 - 3	H126370	3H16	25	110 - 13
H121168	2H14	16	70 - 27	H125330	2C5	13	50 - 24	H126371	3H14	2	110 - 11
H121168	2H16	11	70 - 29	H125347	1I16	15	40 - 77	H126371	3H16	24	110 - 13
H121168	2H18	11	70 - 31	H125354	4F6	27	121 - 17	H126397	3H18	22	110 - 15
H121168	2I11	7	70 - 47	H125356	4F6	36	121 - 17	H126397	3H20	25	110 - 17
H121168	4J5	19	125 - 29	H125356	4F8	19	121 - 19	H126470	3F24	10	90 - 57
H121391	3D4	15	80 - 49	H125381	4H16	6	121 - 75	H126564	4F14	16	121 - 25
H121391	5C6	34	130 - 27	H125391	4G10	18	121 - 45	H126572	2C2	12	50 - 21
H121472	2E2	11	50 - 73	H125403	2G22	5	70 - 10	H126573	2C2	12	50 - 21
H121472	2F21	9	60 - 34	H125403	2G23	3	70 - 11	H126575	2C2	12	50 - 21
H121681	4F12	12	121 - 23	H125466	1B11	13	20 - 7	H126583	2B11	16	50 - 5
H121681	4F16	16	121 - 27	H125467	1B11	14	20 - 7	H126583	2C18	23	50 - 39
H122182	2D14	7	50 - 61	H125489	3I19	6	110 - 41	H126587	4F2	7	121 - 13
H122182	2D16	3	50 - 63	H125511	3D20	1	90 - 5	H126589	3G11	20	90 - 69
H122182	2D18	5	50 - 65	H125513	3D24	3	90 - 9	H126590	3G11	22	90 - 69
H122182	2D20	3	50 - 67	H125518	2B21	1	50 - 15	H126672	3D2	15	80 - 47
H122372	1H8	11	40 - 45	H125518	3E24	1	90 - 33	H126715	4F18	25	121 - 29
H122372	4C25	11	120 - 45	H125528	4G10	9	121 - 45	H126716	4F18	23	121 - 29
H122573	2B14	..	50 - 8	H125537	3C21	4	80 - 41	H126722	4G2	41	121 - 37
H122573	5E8	1	170 - 7	H125537	3C23	4	80 - 43	H126792	4F10	15	121 - 21
H122573	5G9	5	170 - 56	H125537	5C8	25	130 - 29	H126793	4F10	16	121 - 21
H122650	4F8	14	121 - 19	H125733	4F6	6	121 - 17	H126801	5D13	1	130 - 60
H122650	4F10	6	121 - 21	H125734	4F10	10	121 - 21	H126802	5D13	7	130 - 60
H122772	2H8	10	70 - 21	H125735	4F10	10	121 - 21	H126804	5D13	12	130 - 60
H122772	4J7	8	125 - 31	H125736	4F10	10	121 - 21	H126829	4G2	40	121 - 37
H123297	1F8	9	30 - 15	H125737	4F10	10	121 - 21	H126846	1G4	35	40 - 15
H123351	5G6	13	170 - 53	H125738	4F10	1	121 - 21	H127159	4F2	9	121 - 13
H123351	5G8	35	170 - 55	H125740	4F2	18	121 - 13	H127196	4F20	18	121 - 31
H123633	3H22	24	110 - 19	H125740	4F6	5	121 - 17	H127408	3C25	7	80 - 45
H123638	3H22	21	110 - 19	H125741	4F2	18	121 - 13	H127410	3C25	4	80 - 45
H123652	1B7	39	20 - 3	H125741	4F6	5	121 - 17	H127524	4C23	10	120 - 43
H123734	3I11	30	110 - 33	H125742	4F2	18	121 - 13	H127525	4C23	23	120 - 43
H123740	3E8	18	90 - 17	H125742	4F6	5	121 - 17	H127532	4C19	4	120 - 38
H123785	1I10	3	40 - 71	H125743	4F2	18	121 - 13	H127578	1E22	2	30 - 5
H123786	1I10	7	40 - 71	H125743	4F6	5	121 - 17	H127578	1E24	12	30 - 7
H123787	1I10	8	40 - 71	H125769	3E4	6	90 - 13	H127583	4G8	22	121 - 43
H123788	1I10	6	40 - 71	H125837	4F10	8	121 - 21	H127589	2D24	20	50 - 71

NUMERICAL INDEX - CONTINUED

PART NO.	GRID	KEY	PAGE	PART NO.	GRID	KEY	PAGE	PART NO.	GRID	KEY	PAGE
H127589	2H12	6	70-25	H128536	2B9	9	50-3	H129833	5C8	45	130-29
H127589	2H16	27	70-29	H128557	2B9	8	50-3	H129839	1E20	21	30-3
H127589	2I13	2	70-49	H128576	5B16	9	130-11	H129844	4F16	3	121-27
H127590	4G2	18	121-37	H128744	3B16	3	80-11	H129854	2C5	12	50-24
H127596	4G8	17	121-43	H128819	1G11	5	40-23	H129885	3B24	5	80-19
H127603	3H12	20	110-9	H128819	1G13	10	40-25	H129885	5C8	1	130-29
H127603	3I5	7	110-26	H128820	1G11	10	40-23	H129887	1G8	17	40-19
H127604	3H12	9	110-9	H128820	1G13	16	40-25	H129887	3G13	6	90-71
H127638	5C6	2	130-27	H128821	1G11	12	40-23	H129934	4F4	12	121-15
H127677	3C23	13	80-43	H128822	1G13	18	40-25	H129935	4F4	16	121-15
H127677	5C8	39	130-29	H128823	1G11	25	40-23	H130040	3H22	17	110-19
H127732	3D6	11	80-51	H128841	1G11	18	40-23	H130040	3I2	18	110-23
H127749	3F2	17	90-35	H128859	1G11	26	40-23	H130057	3B18	9	80-13
H127749	3H10	17	110-7	H128859	3H2	8	90-85	H130057	3B18	11	80-13
H127752	2E18	10	60-7	H128861	5C18	1	130-39	H130057	4B9	5	120-3
H127781	3H20	16	110-17	H128877	5B10	7	130-5	H130058	1F20	2	40-7
H127855	4G2	13	121-37	H128890	5B16	5	130-11	H130058	3E22	2	90-31
H127872	4J20	4	125-45	H128906	1I10	11	40-71	H130091	3G11	23	90-69
H127878	1G9	1	40-20	H128937	4F6	17	121-17	H130137	5C16	15	130-37
H127922	5D10	5	130-57	H128999	4C2	1	120-21	H130140	4F2	10	121-13
H127923	5D10	4	130-57	H129004	3B24	27	80-19	H130153	1F18	10	40-5
H127978	3G11	14	90-69	H129049	5C2	17	130-23	H130192	2F8	24	60-21
H127998	5D6	16	130-53	H129179	4C2	5	120-21	H130192	2F10	11	60-23
H128010	4F20	20	121-31	H129207	4C6	12	120-25	H130192	3G7	24	90-65
H128010	4G14	1	121-49	H129207	4C12	7	120-31	H130192	3G9	11	90-67
H128010	5E3	2	170-2	H129207	4G14	17	121-49	H130192	3H2	9	90-85
H128080	4H10	1	121-69	H129207	4G18	9	121-53	H130194	1F18	15	40-5
H128080	4H12	1	121-71	H129207	4H6	6	121-65	H130194	3H2	10	90-85
H128080	4H14	1	121-73	H129207	4J20	5	125-45	H130223	2F21	12	60-34
H128081	4H10	1	121-69	H129208	4E23	11	121-9	H130224	2F21	11	60-34
H128081	4H12	1	121-71	H129208	4H2	17	121-61	H130227	2G6	7	60-45
H128081	4H14	1	121-73	H129311	4G18	6	121-53	H130228	2G6	11	60-45
H128082	4H10	1	121-69	H129328	2J18	20	70-79	H130246	3B12	27	80-7
H128082	4H12	1	121-71	H129367	1G4	31	40-15	H130262	5C6	31	130-27
H128082	4H14	1	121-73	H129389	5B12	3	130-7	H130287	2B16	7	50-10
H128083	4H8	11	121-67	H129440	1F16	2	40-3	H130288	2B16	8	50-10
H128083	4H10	1	121-69	H129464	5D13	9	130-60	H130298	1F21	5	40-8
H128083	4H12	1	121-71	H129465	5D13	6	130-60	H130298	3H2	12	90-85
H128083	4H14	1	121-73	H129471	5D13	4	130-60	H130299	1F21	4	40-8
H128098	4H4	1	121-63	H129472	5D13	3	130-60	H130301	3E8	10	90-17
H128111	4H4	7	121-63	H129525	2B23	34	50-17	H130303	3E8	15	90-17
H128118	3H12	4	110-9	H129550	5C20	21	130-41	H130349	3B10	10	80-5
H128118	3I5	4	110-26	H129553	3E20	1	90-29	H130355	4C25	14	120-45
H128124	4H8	21	121-67	H129557	2C5	9	50-24	H130362	3D4	18	80-49
H128234	4I4	32	125-3	H129558	2B25	22	50-19	H130362	3E16	7	90-25
H128265	4G16	32	121-51	H129564	2B23	26	50-17	H130363	3D4	6	80-49
H128265	4J11	21	125-35	H129564	2B25	11	50-19	H130363	5C8	30	130-29
H128297	4F24	5	121-35	H129565	2B23	27	50-17	H130364	3D4	3	80-49
H128315	5G8	9	170-55	H129588	2J6	2	70-67	H130388	2F18	7	60-31
H128357	4H10	2	121-69	H129588	5C8	21	130-29	H130407	2C2	6	50-21
H128357	4H10	3	121-69	H129606	3D20	3	90-5	H130424	3B22	2	80-17
H128357	4H12	2	121-71	H129610	3E10	6	90-19	H130425	3B22	12	80-17
H128357	4H14	2	121-73	H129653	5C16	20	130-37	H130431	3B22	6	80-17
H128358	4H10	2	121-69	H129659	3I17	6	110-39	H130432	3B22	5	80-17
H128358	4H12	2	121-71	H129676	4F18	17	121-29	H130510	1G19	21	40-31
H128358	4H14	2	121-73	H129681	3I17	16	110-39	H130510	1G21	21	40-33
H128359	4H10	2	121-69	H129686	1F20	8	40-7	H130511	1G8	8	40-19
H128359	4H12	2	121-71	H129686	3E22	8	90-31	H130515	3E20	6	90-29
H128359	4H14	2	121-73	H129709	2F21	6	60-34	H130530	3I13	10	110-35
H128479	5C24	10	130-45	H129709	2F22	7	60-35	H130555	3B24	1	80-19
H128502	3B14	20	80-9	H129716	5C16	11	130-37	H130571	3I17	13	110-39
H128515	2D24	22	50-71	H129749	2B9	4	50-3	H130572	4C10	24	120-29
H128515	2F12	15	60-25	H129760	3E12	5	90-21	H130636	3D6	4	80-51
H128515	2F16	4	60-29	H129761	3E12	4	90-21	H130637	1H24	19	40-61
H128515	2H12	6	70-25	H129763	3E12	13	90-21	H130637	1I2	1	40-63
H128515	2H16	7	70-29	H129765	2J18	23	70-79	H130646	3F2	9	90-35
H128515	2J4	15	70-65	H129833	3C21	16	80-41	H130646	3H10	9	110-7

NUMERICAL INDEX - CONTINUED

PART NO.	GRID	KEY	PAGE	PART NO.	GRID	KEY	PAGE	PART NO.	GRID	KEY	PAGE
H130661	4J15	20	125 - 39	H131531	1G4	37	40 - 15	H132539	3B10	8	80 - 5
H130667	4J15	9	125 - 39	H131531	1G23	6	40 - 35	H132539	5B8	6	130 - 3
H130695	4C25	16	120 - 45	H131531	1G25	6	40 - 37	H132540	4C2	18	120 - 21
H130771	5C18	9	130 - 39	H131543	3D2	6	80 - 47	H132541	4B15	1	120 - 9
H130771	5C18	..	130 - 39	H131574	1G19	12	40 - 31	H132541	4B23	1	120 - 17
H130826	3H22	17	110 - 19	H131574	1G21	12	40 - 33	H132541	4C2	14	120 - 21
H130922	4D12	10	120 - 57	H131591	2G15	11	70 - 3	H132542	5C6	23	130 - 27
H130930	3C19	3	80 - 38	H131591	3E20	4	90 - 29	H132554	2C2	11	50 - 21
H130930	4J15	4	125 - 39	H131591	3F4	3	90 - 37	H132597	1G15	8	40 - 27
H130930	5B12	6	130 - 7	H131591	3H2	13	90 - 85	H132618	2B25	13	50 - 19
H130948	4H8	16	121 - 67	H131595	1G15	19	40 - 27	H132662	3G15	12	90 - 73
H130949	4H8	8	121 - 67	H131626	3E10	3	90 - 19	H132662	3G24	24	90 - 83
H130956	4J23	3	125 - 48	H131628	3D4	8	80 - 49	H132662	5C8	14	130 - 29
H130957	4J23	4	125 - 48	H131628	5C8	27	130 - 29	H132666	1I3	..	40 - 64
H130967	3B12	34	80 - 7	H131638	4J22	18	125 - 47	H132666	5C6	32	130 - 27
H130968	3B12	5	80 - 7	H131639	4J22	17	125 - 47	H132686	1I3	7	40 - 64
H131040	2B21	4	50 - 15	H131673	5C6	20	130 - 27	H132687	1I3	3	40 - 64
H131040	3E24	5	90 - 33	H131674	5C6	17	130 - 27	H132687	1J14	5	40 - 99
H131041	2B21	5	50 - 15	H131675	5C6	15	130 - 27	H132688	1J14	3	40 - 99
H131041	3E24	6	90 - 33	H131720	3E4	9	90 - 13	H132708	4J15	3	125 - 39
H131087	3I11	13	110 - 33	H131743	3B18	11	80 - 13	H132793	3B12	32	80 - 7
H131088	3I11	15	110 - 33	H131743	3H22	3	110 - 19	H132795	1F18	13	40 - 5
H131098	4G16	33	121 - 51	H131754	2B16	11	50 - 10	H132795	1G17	18	40 - 29
H131108	4C19	1	120 - 38	H131754	2C8	9	50 - 27	H132800	1G19	18	40 - 31
H131115	2D14	15	50 - 61	H131865	4I8	4	125 - 7	H132800	1G21	18	40 - 33
H131115	2F14	14	60 - 27	H131865	4I10	2	125 - 9	H132800	1J16	4	40 - 101
H131115	2H10	18	70 - 23	H131876	3D6	22	80 - 51	H132800	5D25	12	160 - 5
H131115	2H12	22	70 - 25	H131878	4B13	14	120 - 7	H132811	5G8	12	170 - 55
H131115	2H16	25	70 - 29	H131948	1B7	24	20 - 3	H132822	3C21	12	80 - 41
H131115	2H18	19	70 - 31	H131949	1B7	22	20 - 3	H132822	3C23	16	80 - 43
H131115	2I7	5	70 - 43	H131982	1F14	4	40 - 1	H132825	3H16	7	110 - 13
H131121	2C15	25	50 - 35	H131986	4B23	14	120 - 17	H132892	2B23	12	50 - 17
H131121	2E8	6	50 - 79	H131987	4B23	16	120 - 17	H132892	2B25	3	50 - 19
H131121	2I25	2A	70 - 61	H131988	4B15	37	120 - 9	H132893	2B23	12	50 - 17
H131163	2D24	37	50 - 71	H131989	4B15	36	120 - 9	H132893	2B25	3	50 - 19
H131163	2F14	3	60 - 27	H131996	2E2	12	50 - 73	H132894	2B23	12	50 - 17
H131163	2H12	7	70 - 25	H132008	3C23	5	80 - 43	H132894	2B25	3	50 - 19
H131163	2H16	13	70 - 29	H132024	5C6	9	130 - 27	H132895	2F8	7	60 - 21
H131169	5E3	4	170 - 2	H132057	4B19	11	120 - 13	H132895	3G7	7	90 - 65
H131170	4G16	11	121 - 51	H132057	4B19	..	120 - 13	H132897	2F8	27	60 - 21
H131186	2F10	31	60 - 23	H132057	4B21	4	120 - 15	H132897	3G7	27	90 - 65
H131186	3G9	31	90 - 67	H132088	5C2	26	130 - 23	H132899	2F8	20	60 - 21
H131227	5C8	18	130 - 29	H132097	5C24	9	130 - 45	H132899	3G7	20	90 - 65
H131228	4F12	2	121 - 23	H132161	4D8	2	120 - 53	H132899	3H2	16	90 - 85
H131230	5C8	4	130 - 29	H132161	4D16	5	120 - 61	H132900	1F21	1	40 - 8
H131256	5C22	3	130 - 43	H132208	4G16	10	121 - 51	H132900	1I3	5	40 - 64
H131259	5C22	12	130 - 43	H132208	4G20	19	121 - 55	H132900	1J14	2	40 - 99
H131261	5C22	9	130 - 43	H132227	5B12	9	130 - 7	H132906	4J11	6	125 - 35
H131262	5C24	13	130 - 45	H132288	4D6	3	120 - 51	H132922	3G24	11	90 - 83
H131263	5C24	12	130 - 45	H132288	4D14	2	120 - 59	H132926	3B10	20	80 - 5
H131264	5C8	3	130 - 29	H132289	4D20	2	120 - 65	H132937	4H4	11	121 - 63
H131296	2B23	11	50 - 17	H132290	4D16	3	120 - 61	H132938	4H4	16	121 - 63
H131297	2B23	14	50 - 17	H132291	4D6	2	120 - 51	H132949	3D2	10	80 - 47
H131298	3D18	1	90 - 3	H132291	4D14	1	120 - 59	H132970	2J18	19	70 - 79
H131299	3D18	2	90 - 3	H132292	4D20	1	120 - 65	H132986	3I15	8	110 - 37
H131300	3D18	13	90 - 3	H132293	4D16	2	120 - 61	H132988	3I15	6	110 - 37
H131301	3D18	11	90 - 3	H132328	3H8	24	110 - 5	H132992	3B12	31	80 - 7
H131319	4D18	1	120 - 63	H132400	4F6	19	121 - 17	H132995	4F10	19	121 - 21
H131356	5C20	23	130 - 41	H132451	1J20	11	40 - 105	H133010	2B25	10	50 - 19
H131424	2F10	7	60 - 23	H132451	3F4	11	90 - 37	H133024	5D15	13	130 - 63
H131424	3G9	7	90 - 67	H132452	3D24	10	90 - 9	H133025	5D15	26	130 - 63
H131424	3H2	15	90 - 85	H132452	3F12	5	90 - 45	H133026	5D15	17	130 - 63
H131452	3I9	3	110 - 31	H132511	3C8	2	80 - 27	H133031	4J23	8	125 - 48
H131482	4G12	5	121 - 47	H132513	1G23	1	40 - 35	H133042	3B12	14	80 - 7
H131485	4G12	11	121 - 47	H132513	1G25	1	40 - 37	H133047	2B21	18	50 - 15
H131526	3B18	1	80 - 13	H132538	3G15	21	90 - 73	H133047	3E24	19	90 - 33
H131526	3B22	10	80 - 17	H132538	5C8	29	130 - 29	H133060	2F4	8	60 - 17

NUMERICAL INDEX - CONTINUED

PART NO.	GRID	KEY	PAGE	PART NO.	GRID	KEY	PAGE	PART NO.	GRID	KEY	PAGE
H133060	3I15	5	110 - 37	H133666	3D18	7	90 - 3	H134403	3B12	2	80 - 7
H133081	4C25	30	120 - 45	H133667	4G14	7	121 - 49	H134417	1G19	23	40 - 31
H133089	2C4	2	50 - 23	H133669	2E2	16	50 - 73	H134417	1G21	23	40 - 33
H133092	2C4	5	50 - 23	H133671	2E2	13	50 - 73	H134417	3I25	2	110 - 47
H133094	2C5	1	50 - 24	H133675	2J16	13	70 - 77	H134417	5D25	9	160 - 5
H133096	2C4	3	50 - 23	H133688	2J6	10	70 - 67	H134418	4B15	7	120 - 9
H133097	2C4	3	50 - 23	H133690	2J6	12	70 - 67	H134420	4B15	8	120 - 9
H133098	2C4	3	50 - 23	H133690	5D15	31	130 - 63	H134424	2F4	23	60 - 17
H133106	2F10	15	60 - 23	H133768	4D24	5	120 - 69	H134424	2H12	14	70 - 25
H133106	3G9	15	90 - 67	H133789	4D24	9	120 - 69	H134424	2H16	19	70 - 29
H133143	5B8	14	130 - 3	H133843	3H22	4	110 - 19	H134425	2F4	25	60 - 17
H133152	3B24	19	80 - 19	H133851	1I12	3	40 - 73	H134425	2G17	8	70 - 5
H133165	2B23	22	50 - 17	H133852	1I12	1	40 - 73	H134425	2H12	9	70 - 25
H133178	1I2	15	40 - 63	H133981	1I12	6	40 - 73	H134425	2H16	17	70 - 29
H133178	5C20	14	130 - 41	H133989	3H22	32	110 - 19	H134426	2F4	21	60 - 17
H133199	4G22	4	121 - 57	H133998	1I13	6	40 - 74	H134427	2F4	22	60 - 17
H133202	2C2	14	50 - 21	H134000	1I13	3	40 - 74	H134427	2G17	5	70 - 5
H133205	2F8	14	60 - 21	H134002	3I11	3	110 - 33	H134427	2H12	12	70 - 25
H133205	2F10	1	60 - 23	H134025	4C23	25	120 - 43	H134427	2H16	18	70 - 29
H133205	3G7	14	90 - 65	H134065	4J22	31	125 - 47	H134428	2F14	7	60 - 27
H133205	3G9	1	90 - 67	H134068	4J22	6	125 - 47	H134428	2H12	20	70 - 25
H133208	3F2	11	90 - 35	H134072	3B12	29	80 - 7	H134428	2H16	24	70 - 29
H133208	3H10	11	110 - 7	H134073	3B16	18	80 - 11	H134429	2H8	15	70 - 21
H133210	3F2	7	90 - 35	H134081	3B22	14	80 - 17	H134429	2H14	7	70 - 27
H133210	3H10	7	110 - 7	H134085	3H18	12	110 - 15	H134434	2F14	11	60 - 27
H133219	3E2	17	90 - 11	H134085	3H20	13	110 - 17	H134434	2H12	16	70 - 25
H133229	2B16	10	50 - 10	H134087	3H14	21	110 - 11	H134434	2H16	22	70 - 29
H133229	2C8	6	50 - 27	H134088	3J4	10	110 - 51	H134437	5E4	4	170 - 3
H133230	2B16	12	50 - 10	H134102	3B18	3	80 - 13	H134442	2B12	..	50 - 6
H133230	2C8	8	50 - 27	H134105	3B18	23	80 - 13	H134442	2B14	..	50 - 8
H133244	2B16	14	50 - 10	H134106	3B16	2	80 - 11	H134442	5G9	3	170 - 56
H133246	2B16	14	50 - 10	H134107	3B18	21	80 - 13	H134444	2B16	13	50 - 10
H133287	4D22	4	120 - 67	H134108	3B18	4	80 - 13	H134444	2C8	7	50 - 27
H133288	4D22	2	120 - 67	H134114	2B12	3	50 - 6	H134470	2F4	16	60 - 17
H133320	2F23	2	60 - 36	H134114	2B13	6	50 - 7	H134474	1I18	4	40 - 79
H133351	2E22	27	60 - 11	H134114	2B14	2	50 - 8	H134475	1I18	5	40 - 79
H133384	1F22	5	40 - 9	H134117	1F6	5	30 - 13	H134476	1I18	7	40 - 79
H133391	3D22	2	90 - 7	H134118	4D12	11	120 - 57	H134488	3F2	5	90 - 35
H133414	3E2	5	90 - 11	H134118	4D18	18	120 - 63	H134488	3H10	5	110 - 7
H133470	2J4	8	70 - 65	H134140	3H22	16	110 - 19	H134489	3F2	4	90 - 35
H133489	4G20	27	121 - 55	H134143	1B11	4	20 - 7	H134489	3H10	4	110 - 7
H133514	3E12	10	90 - 21	H134144	1B11	3	20 - 7	H134506	3B18	12	80 - 13
H133541	4J22	2	125 - 47	H134168	4B7	4	120 - 1	H134520	3B14	11	80 - 9
H133579	5D10	15	130 - 57	H134169	1G4	4	40 - 15	H134527	3B14	16	80 - 9
H133584	5C6	1	130 - 27	H134214	1B7	25	20 - 3	H134528	1B7	41	20 - 3
H133598	4D12	17	120 - 57	H134214	1B11	24	20 - 7	H134531	2C8	11	50 - 27
H133598	4D18	22	120 - 63	H134214	1I10	12	40 - 71	H134535	3E4	5	90 - 13
H133598	4G16	56	121 - 51	H134286	5B14	1	130 - 9	H134535	5E14	5	170 - 13
H133599	4D12	13	120 - 57	H134287	5B14	2	130 - 9	H134535	5G6	9	170 - 53
H133600	4D18	21	120 - 63	H134297	1E20	9	30 - 3	H134536	3E18	12	90 - 27
H133601	4D18	21	120 - 63	H134298	1E20	8	30 - 3	H134544	3E16	12	90 - 25
H133602	4D12	13	120 - 57	H134299	1E20	6	30 - 3	H134547	2F21	3	60 - 34
H133603	4G16	47	121 - 51	H134300	1F4	2	30 - 11	H134547	2F22	4	60 - 35
H133621	4G16	52	121 - 51	H134308	4C25	29	120 - 45	H134548	2F21	8	60 - 34
H133633	4B23	10	120 - 17	H134308	4J13	1	125 - 37	H134548	2F22	9	60 - 35
H133636	2B21	7	50 - 15	H134308	5B8	20	130 - 3	H134549	2F21	2	60 - 34
H133636	3E24	8	90 - 33	H134314	4J13	2	125 - 37	H134557	2G7	7	60 - 46
H133645	1I2	2	40 - 63	H134317	4J13	4	125 - 37	H134558	2F4	7	60 - 17
H133659	2D16	22	50 - 63	H134317	4J17	1	125 - 41	H134558	2H8	19	70 - 21
H133659	2D18	1	50 - 65	H134335	4B9	10	120 - 3	H134558	2H14	11	70 - 27
H133659	2F14	19	60 - 27	H134338	4B9	16	120 - 3	H134600	2B12	2	50 - 6
H133659	2I11	5	70 - 47	H134339	4B9	14	120 - 3	H134600	2B13	5	50 - 7
H133660	2B21	6	50 - 15	H134343	2E18	8	60 - 7	H134600	2B14	1	50 - 8
H133660	3E24	7	90 - 33	H134353	2F10	23	60 - 23	H134603	4J11	27	125 - 35
H133662	2B21	12	50 - 15	H134353	3G9	23	90 - 67	H134603	4J16	8	125 - 40
H133662	3E24	13	90 - 33	H134367	1G13	25	40 - 25	H134605	4J11	25	125 - 35
H133665	3D18	5	90 - 3	H134396	1E20	11	30 - 3	H134606	4J16	7	125 - 40

NUMERICAL INDEX - CONTINUED

PART NO.	GRID	KEY	PAGE	PART NO.	GRID	KEY	PAGE	PART NO.	GRID	KEY	PAGE
H134620	5F2	5	170 - 25	H135538	5B18	13	130 - 13	H136179	4I10	11	125 - 9
H134623	2F10	45	60 - 23	H135566	2I25	12	70 - 61	H136186	5B22	10	130 - 17
H134623	3G9	45	90 - 67	H135567	2C11	11	50 - 30	H136186	5B23	13	130 - 18
H134624	2F10	44	60 - 23	H135569	2I25	1	70 - 61	H136209	5B25	8	130 - 21
H134624	3G9	44	90 - 67	H135570	2C15	9	50 - 35	H136257	4I14	5	125 - 13
H134654	4B11	20	120 - 5	H135570	2C16	9	50 - 36	H136304	5D18	5	130 - 67
H134655	3G24	12	90 - 83	H135571	2C20	5	50 - 41	H136306	5D18	4	130 - 67
H134667	3C10	6	80 - 29	H135590	5C4	12	130 - 25	H136334	2G4	11	60 - 43
H134667	5G11	8	170 - 59	H135599	4G20	25	121 - 55	H136334	2G4	15	60 - 43
H134671	3E2	9	90 - 11	H135608	2F4	15	60 - 17	H136335	2G4	7	60 - 43
H134724	3E18	10	90 - 27	H135610	3B16	20	80 - 11	H136335	2G4	15	60 - 43
H134738	3B16	9	80 - 11	H135614	3D22	1	90 - 7	H136336	2H12	37	70 - 25
H134760	4G18	16	121 - 53	H135615	3D22	6	90 - 7	H136336	3H14	27	110 - 11
H134760	5B16	13	130 - 11	H135618	2H8	17	70 - 21	H136336	3H22	25	110 - 19
H134760	5C2	4	130 - 23	H135618	2H14	9	70 - 27	H136541	3G15	14	90 - 73
H134767	5G8	21	170 - 55	H135619	2F4	31	60 - 17	H136541	5C8	28	130 - 29
H134773	4F18	2	121 - 29	H135641	2I3	2	70 - 39	H136572	5C16	25	130 - 37
H134816	4B23	8	120 - 17	H135641	2I5	4	70 - 41	H136573	5C16	27	130 - 37
H134856	1B13	3	20 - 9	H135697	2C15	1	50 - 35	H136577	3B16	26	80 - 11
H134910	3B14	3	80 - 9	H135713	5B16	6	130 - 11	H136582	4J11	30	125 - 35
H134930	3B16	10	80 - 11	H135772	1J16	9	40 - 101	H136589	3E2	15	90 - 11
H135036	4B15	13	120 - 9	H135772	3I13	6	110 - 35	H136590	3E2	20	90 - 11
H135112	2B17	5	50 - 11	H135773	1J16	10	40 - 101	H136609	4D8	10	120 - 53
H135147	1F2	8	30 - 9	H135776	2I21	16	70 - 57	H136611	4D8	11	120 - 53
H135147	3B16	16	80 - 11	H135777	2I21	15	70 - 57	H137188	4D18	19	120 - 63
H135155	2F4	12	60 - 17	H135777	2I23	17	70 - 59	H137201	5G12	1	170 - 60
H135156	2F12	6	60 - 25	H135844	4I18	10	125 - 17	H137203	4B15	11	120 - 9
H135173	2C2	4	50 - 21	H135891	4B13	18	120 - 7	H137203	4B15	26	120 - 9
H135192	5C16	24	130 - 37	H135891	4B13	..	120 - 7	H137203	4B23	15	120 - 17
H135193	5C16	26	130 - 37	H135891	4B17	7	120 - 11	H137204	4B15	6	120 - 9
H135211	2C11	14	50 - 30	H135891	4E10	18	120 - 81	H137204	4B15	27	120 - 9
H135213	2C11	13	50 - 30	H135891	4E12	9	120 - 83	H137204	4B23	12	120 - 17
H135214	2C11	12	50 - 30	H135897	2I21	7	70 - 57	H137204	4B23	12	120 - 17
H135215	2C11	1	50 - 30	H135898	2I21	20	70 - 57	H137215	4C21	18	120 - 41
H135235	4J16	10	125 - 40	H135898	2I23	22	70 - 59	H137215	4C21	19	120 - 41
H135245	3B18	22	80 - 13	H135942	2B25	9	50 - 19	H137227	5C20	21	130 - 41
H135245	3B18	24	80 - 13	H135942	2B25	12	50 - 19	H137261	3B18	13	80 - 13
H135286	5B25	5	130 - 21	H135943	2B23	28	50 - 17	H137264	5E5	4	170 - 4
H135287	5B25	9	130 - 21	H135944	2B25	9	50 - 19	H137267	3B16	19	80 - 11
H135292	4F20	44	121 - 31	H135944	2B25	9	50 - 19	H137276	5B12	10	130 - 7
H135309	4J22	22	125 - 47	H135964	2H22	11	70 - 35	H137326	3G11	33	90 - 69
H135392	3B18	18	80 - 13	H135964	5D23	11	160 - 3	H137328	2F10	54	60 - 23
H135393	3B18	14	80 - 13	H135965	3C21	8	80 - 41	H137328	3G9	54	90 - 67
H135395	4G18	11	121 - 53	H135965	3C23	11	80 - 43	H137328	4C25	1	120 - 45
H135396	4C25	13	120 - 45	H135974	2H18	16	70 - 31	H137360	3E12	2	90 - 21
H135410	4G16	2	121 - 51	H136011	3E12	16	90 - 21	H137389	4D2	17	120 - 47
H135410	4G20	13	121 - 55	H136013	4H8	25	121 - 67	H137417	3F12	4	90 - 45
H135422	4C21	13	120 - 41	H136014	3B18	26	80 - 13	H137418	3F12	9	90 - 45
H135423	4G16	37	121 - 51	H136014	3C4	17	80 - 23	H137420	3F12	11	90 - 45
H135452	5B25	14	130 - 21	H136015	3B18	25	80 - 13	H137421	3F12	10	90 - 45
H135453	5B25	17	130 - 21	H136015	3C4	18	80 - 23	H137447	3C25	11	80 - 45
H135454	5B25	2	130 - 21	H136015	3H22	6	110 - 19	H137447	3E18	9	90 - 27
H135475	4C23	18	120 - 43	H136015	5C12	8	130 - 33	H137523	2G15	6	70 - 3
H135494	4I4	18	125 - 3	H136055	4J15	8	125 - 39	H137534	3D2	12	80 - 47
H135497	2C15	27	50 - 35	H136056	3E2	19	90 - 11	H137538	1F18	18	40 - 5
H135497	2C16	27	50 - 36	H136095	5B18	1	130 - 13	H137539	1F18	18	40 - 5
H135499	2C10	18	50 - 29	H136109	1J22	8	40 - 107	H137585	4J13	9	125 - 37
H135500	2C10	16	50 - 29	H136110	1J22	6	40 - 107	H137593	2I3	17	70 - 39
H135500	2C20	12	50 - 41	H136110	3E16	14	90 - 25	H137606	5B25	21	130 - 21
H135500	2C21	1	50 - 42	H136115	2F22	2	60 - 35	H137667	2F10	49	60 - 23
H135503	2C11	7	50 - 30	H136126	3E12	20	90 - 21	H137667	3G9	49	90 - 67
H135504	2C11	8	50 - 30	H136127	3E12	18	90 - 21	H137672	2C5	7	50 - 24
H135505	2C15	1	50 - 35	H136143	3E10	1	90 - 19	H137815	4G20	36	121 - 55
H135508	2C20	20	50 - 41	H136144	3I15	1	110 - 37	H137817	4G20	34	121 - 55
H135509	2C20	14	50 - 41	H136145	2B19	5	50 - 13	H137823	3F4	12	90 - 37
H135512	4C6	13	120 - 25	H136163	2C18	27	50 - 39	H137854	3G2	1	90 - 59
H135512	4G18	10	121 - 53	H136179	4H18	8	121 - 77	H137855	3G2	6	90 - 59
				H136179	4H24	8	121 - 83	H137856	3G2	4	90 - 59

NUMERICAL INDEX - CONTINUED

PART NO.	GRID	KEY	PAGE	PART NO.	GRID	KEY	PAGE	PART NO.	GRID	KEY	PAGE
H137857	3G2	5	90 - 59	H139512	2I21	14	70 - 57	H140664	1F16	16	40 - 3
H137858	3G2	3	90 - 59	H139512	2I23	16	70 - 59	H140664	1G19	8	40 - 31
H137859	3G2	5	90 - 59	H139513	2I23	7	70 - 59	H140691	2E14	21	60 - 3
H137865	4I22	12	125 - 21	H139515	2I21	7	70 - 57	H140692	2E14	11	60 - 3
H137866	4I22	8	125 - 21	H139515	2I21	14	70 - 57	H140694	2E14	27	60 - 3
H137869	5D15	12	130 - 63	H139515	2I21	24	70 - 57	H140695	2E14	28	60 - 3
H137916	5B22	6	130 - 17	H139515	2I23	7	70 - 59	H140696	2E14	29	60 - 3
H137916	5B23	6	130 - 18	H139515	2I23	16	70 - 59	H140708	2E14	12	60 - 3
H137919	5B22	12	130 - 17	H139515	2I23	26	70 - 59	H140709	2B12	..	50 - 6
H137919	5B23	8	130 - 18	H139557	1H6	7	40 - 43	H140709	2G9	..	60 - 49
H137919	5B23	9	130 - 18	H139558	1H6	8	40 - 43	H140709	5G9	2	170 - 56
H137939	3H18	21	110 - 15	H139709	4G4	1	121 - 39	H140709	5G9	4	170 - 56
H137939	3H20	24	110 - 17	H139807	2G4	9	60 - 43	H140710	2G9	..	60 - 49
H137939	5D25	7	160 - 5	H139807	2G6	9	60 - 45	H140712	2E14	20	60 - 3
H137939	5G8	18	170 - 55	H139922	4C10	31	120 - 29	H140713	2E14	30	60 - 3
H137955	2F21	16	60 - 34	H139925	4C12	14	120 - 31	H140715	1B7	11	20 - 3
H137976	3E2	15	90 - 11	H139963	4C6	18	120 - 25	H140715	2E14	19	60 - 3
H137976	3E2	20	90 - 11	H139963	4C8	3	120 - 27	H140746	2E14	8	60 - 3
H138085	4F24	1	121 - 35	H139963	5E6	3	170 - 5	H140747	2E14	9	60 - 3
H138200	1H18	30	40 - 55	H139964	4J3	7	125 - 27	H140803	4B17	3	120 - 11
H138297	3E4	4	90 - 13	H139972	5C8	35	130 - 29	H140836	3F2	19	90 - 35
H138410	2F23	6	60 - 36	H139988	4I16	16	125 - 15	H140836	3H10	19	110 - 7
H138411	2F14	9	60 - 27	H140043	4B13	2	120 - 7	H140848	1B11	19	20 - 7
H138411	2H12	15	70 - 25	H140043	4B19	2	120 - 13	H140858	3D2	4	80 - 47
H138411	2H16	21	70 - 29	H140043	4F24	16	121 - 35	H140866	3B10	21	80 - 5
H138435	3H12	12	110 - 9	H140083	4E17	14	121 - 3	H140872	3C2	5	80 - 21
H138435	3I25	4	110 - 47	H140096	5B18	15	130 - 13	H140881	3C2	1	80 - 21
H138435	3J2	14	110 - 49	H140122	3H18	9	110 - 15	H140936	4B15	31	120 - 9
H138435	3J6	23	110 - 53	H140122	3H20	10	110 - 17	H140944	4C12	5	120 - 31
H138435	4C8	4	120 - 27	H140134	4C10	29	120 - 29	H141000	4I4	4	125 - 3
H138435	4E4	15	120 - 75	H140135	2E22	9	60 - 11	H141033	5B18	11	130 - 13
H138435	4G20	29	121 - 55	H140135	2E23	8	60 - 12	H141044	5C4	10	130 - 25
H138435	4H6	27	121 - 65	H140149	4C10	30	120 - 29	H141069	2E14	16	60 - 3
H138435	4H16	8	121 - 75	H140149	4K8	4	125 - 59	H141123	3B24	3	80 - 19
H138435	4I4	27	125 - 3	H140156	4C8	1	120 - 27	H141123	5C8	10	130 - 29
H138435	4I6	1	125 - 5	H140159	4C6	11	120 - 25	H141123	5D13	14	130 - 60
H138435	4I6	12	125 - 5	H140159	4H6	7	121 - 65	H141127	1G23	1	40 - 35
H138435	4J11	1	125 - 35	H140161	4I14	4	125 - 13	H141127	1G23	2	40 - 35
H138435	4J22	36	125 - 47	H140162	4I14	2	125 - 13	H141127	1G25	1	40 - 37
H138435	4J25	1	125 - 51	H140195	3H8	32	110 - 5	H141161	4I4	31	125 - 3
H138435	5D12	1	130 - 59	H140225	3B18	19	80 - 13	H141282	4E4	3	120 - 75
H138435	5D15	38	130 - 63	H140247	4D8	3	120 - 53	H141289	3F10	12	90 - 43
H138452	3C4	14	80 - 23	H140248	1F18	9	40 - 5	H141292	3D18	15	90 - 3
H138453	3C4	11	80 - 23	H140248	1G4	3	40 - 15	H141325	1G19	11	40 - 31
H138606	2B12	2	50 - 6	H140248	1I14	3	40 - 75	H141325	1G19	20	40 - 31
H138607	2B12	1	50 - 6	H140298	2G17	7	70 - 5	H141325	1H2	17	40 - 39
H138607	2B13	4	50 - 7	H140298	2G17	10	70 - 5	H141327	2F10	9	60 - 23
H138607	2B14	5	50 - 8	H140298	2H12	13	70 - 25	H141327	3G9	9	90 - 67
H138753	3I11	28	110 - 33	H140298	2H16	20	70 - 29	H141388	4H20	15	121 - 79
H138930	5C20	19	130 - 41	H140300	3C18	14	80 - 37	H141399	4E23	1	121 - 9
H139005	4I20	2	125 - 19	H140380	1B9	12	20 - 5	H141399	4F4	2	121 - 15
H139006	4I22	5	125 - 21	H140382	2G4	10	60 - 43	H141406	1G23	2	40 - 35
H139036	5G6	2	170 - 53	H140382	2G6	10	60 - 45	H141406	1G25	2	40 - 37
H139036	5G8	8	170 - 55	H140383	2G6	10	60 - 45	H141409	1I10	2	40 - 71
H139056	3C21	5	80 - 41	H140396	3F24	17	90 - 57	H141417	4H6	33	121 - 65
H139056	5C8	41	130 - 29	H140397	4G22	3	121 - 57	H141417	5E5	3	170 - 4
H139098	3I11	19	110 - 33	H140404	5E5	4	170 - 4	H141422	2E14	34	60 - 3
H139098	4B17	9	120 - 11	H140467	4J22	25	125 - 47	H141429	4E25	20	121 - 11
H139132	4G22	7	121 - 57	H140467	4J25	16	125 - 51	H141429	5E5	6	170 - 4
H139214	1F18	11	40 - 5	H140470	4C8	15	120 - 27	H141445	4E23	4	121 - 9
H139224	3B12	37	80 - 7	H140595	2E14	5	60 - 3	H141448	4E23	25	121 - 9
H139225	3B12	21	80 - 7	H140617	4H6	14	121 - 65	H141450	5D2	13	130 - 49
H139389	5G6	24	170 - 53	H140619	4J5	28	125 - 29	H141450	5D4	17	130 - 51
H139389	5G8	7	170 - 55	H140620	2E14	7	60 - 3	H141450	5D6	17	130 - 53
H139392	5G6	6	170 - 53	H140627	1F22	3	40 - 9	H141549	3H20	35	110 - 17
H139393	5G6	25	170 - 53	H140628	1F22	2	40 - 9	H141549	4J15	33	125 - 39
H139448	2J24	9	70 - 85	H140628	1H10	6	40 - 47	H141588	4F22	4	121 - 33

NUMERICAL INDEX - CONTINUED

PART NO.	GRID	KEY	PAGE	PART NO.	GRID	KEY	PAGE	PART NO.	GRID	KEY	PAGE
H141659	3C4	15	80 - 23	H143852	4I4	30	125 - 3	H144717	3B10	25	80 - 5
H141770	3C16	5	80 - 35	H143891	2B9	12	50 - 3	H144742	4B17	6	120 - 11
H141771	3C16	..	80 - 35	H143893	2C4	9	50 - 23	H144762	4F6	9	121 - 17
H141772	3C16	1	80 - 35	H143894	2C4	9	50 - 23	H144823	5C10	5	130 - 31
H141813	3C19	2	80 - 38	H143918	1G4	10	40 - 15	H144823	5C10	6	130 - 31
H141835	3H22	5	110 - 19	H143918	1G4	15	40 - 15	H144825	3H24	4	110 - 21
H141836	3B16	15	80 - 11	H143918	1G4	17	40 - 15	H144825	5C10	5	130 - 31
H141869	2E20	11	60 - 9	H143918	1G4	20	40 - 15	H144834	4F4	7	121 - 15
H141946	2F10	53	60 - 23	H143918	1G4	22	40 - 15	H144896	4I22	3	125 - 21
H141946	3G9	53	90 - 67	H143918	1G4	24	40 - 15	H144962	3I21	24	110 - 43
H141955	1F22	6	40 - 9	H143918	1G4	27	40 - 15	H144962	3I25	46	110 - 47
H141979	3D6	8	80 - 51	H143918	1G4	39	40 - 15	H144962	4G2	42	121 - 37
H142030	2B23	8	50 - 17	H143948	4I16	4	125 - 15	H144971	5B12	8	130 - 7
H142031	2B23	37	50 - 17	H143949	4I16	10	125 - 15	H144992	2C8	10	50 - 27
H142035	3B24	18	80 - 19	H143950	4I16	9	125 - 15	H144993	2C8	10	50 - 27
H142044	2B11	18	50 - 5	H143951	4I16	14	125 - 15	H144998	2B16	15	50 - 10
H142107	2F21	5	60 - 34	H143952	4I16	12	125 - 15	H145001	4F14	4	121 - 25
H142107	2F22	6	60 - 35	H143955	4I14	12	125 - 13	H145051	2I17	25	70 - 53
H142138	4E4	18	120 - 75	H144029	3D2	7	80 - 47	H145051	2I21	11	70 - 57
H142141	4H18	13	121 - 77	H144032	1I12	18	40 - 73	H145051	2I21	28	70 - 57
H142143	4G14	21	121 - 49	H144034	3B20	7	80 - 15	H145051	2I23	13	70 - 59
H142143	4G16	23	121 - 51	H144052	3H22	26	110 - 19	H145051	2I23	30	70 - 59
H142183	2I15	22	70 - 51	H144063	3H22	9	110 - 19	H145052	2I17	24	70 - 53
H142188	4C21	5	120 - 41	H144077	3B20	5	80 - 15	H145052	2I21	11	70 - 57
H142189	4C21	4	120 - 41	H144094	1I6	5	40 - 67	H145052	2I21	27	70 - 57
H142861	3H24	9	110 - 21	H144095	1I6	6	40 - 67	H145052	2I23	13	70 - 59
H142869	3I2	15	110 - 23	H144114	1I5	2	40 - 66	H145052	2I23	29	70 - 59
H142870	3I2	24	110 - 23	H144122	4F16	9	121 - 27	H145082	3F24	4	90 - 57
H143311	4E23	10	121 - 9	H144157	4I18	4	125 - 17	H145089	4E6	1	120 - 77
H143317	1J22	1	40 - 107	H144158	4I18	5	125 - 17	H145095	4I16	7	125 - 15
H143332	4H10	3	121 - 69	H144161	4I18	2	125 - 17	H145096	4I16	6	125 - 15
H143332	4H12	3	121 - 71	H144163	4I18	7	125 - 17	H145112	4C23	6	120 - 43
H143332	4H14	3	121 - 73	H144181	3C12	1	80 - 31	H145112	4I4	10	125 - 3
H143354	3I7	1	110 - 29	H144184	2B9	11	50 - 3	H145158	1B7	5	20 - 3
H143358	3I21	9	110 - 43	H144201	3I11	21	110 - 33	H145158	5E4	2	170 - 3
H143407	3H22	20	110 - 19	H144242	1I22	3	40 - 83	H145173	2B25	1	50 - 19
H143408	2B25	9	50 - 19	H144244	3F24	10	90 - 57	H145221	1G15	2	40 - 27
H143408	2B25	12	50 - 19	H144253	5G8	3	170 - 55	H145243	4G10	11	121 - 45
H143420	1E20	15	30 - 3	H144253	5G8	30	170 - 55	H145247	2D22	9	50 - 69
H143426	4F6	24	121 - 17	H144254	5G6	15	170 - 53	H145247	2E2	8	50 - 73
H143439	3G2	8	90 - 59	H144255	1G17	16	40 - 29	H145247	2E3	2	50 - 74
H143445	2B11	5	50 - 5	H144256	1I13	12	40 - 74	H145257	4B21	5	120 - 15
H143453	3C21	13	80 - 41	H144260	1F6	9	30 - 13	H145264	1G17	15	40 - 29
H143453	3C23	17	80 - 43	H144264	4E6	5	120 - 77	H145275	4H16	1	121 - 75
H143454	3C21	14	80 - 41	H144265	4E6	4	120 - 77	H145284	1G4	1	40 - 15
H143454	3C23	18	80 - 43	H144266	4E6	7	120 - 77	H145315	4F4	21	121 - 15
H143460	3E8	8	90 - 17	H144267	4E6	6	120 - 77	H145316	5B25	5	130 - 21
H143465	3B14	14	80 - 9	H144269	2E16	18	60 - 5	H145317	5B25	9	130 - 21
H143495	4C18	5	120 - 37	H144270	2E16	12	60 - 5	H145319	4H20	7	121 - 79
H143542	4E4	17	120 - 75	H144274	3F10	13	90 - 43	H145363	4E12	5	120 - 83
H143543	4E4	2	120 - 75	H144279	5G13	1	170 - 61	H145364	4E12	3	120 - 83
H143574	4E6	17	120 - 77	H144293	2D8	..	50 - 55	H145366	4E12	4	120 - 83
H143584	3B8	2	80 - 3	H144293	2F24	3	60 - 38	H145370	4E12	4	120 - 83
H143585	3B8	1	80 - 3	H144293	2F25	3	60 - 39	H145394	4C12	11	120 - 31
H143586	4C18	1	120 - 37	H144342	2J9	12	70 - 70	H145395	4C12	21	120 - 31
H143593	1G4	33	40 - 15	H144383	4E25	23	121 - 11	H145396	4C12	13	120 - 31
H143610	4B23	4	120 - 17	H144385	2B25	20	50 - 19	H145417	1F20	14	40 - 7
H143679	1H12	16	40 - 49	H144467	4C25	16	120 - 45	H145417	3E22	14	90 - 31
H143679	4I12	3	125 - 11	H144472	3E8	9	90 - 17	H145418	1F18	19	40 - 5
H143700	4C16	15	120 - 35	H144524	4E25	12	121 - 11	H145419	1F18	20	40 - 5
H143700	5E5	7	170 - 4	H144532	1H14	9	40 - 51	H145420	1F18	21	40 - 5
H143731	4C10	21	120 - 29	H144556	4D4	1	120 - 49	H145464	3I21	15	110 - 43
H143735	4J22	9	125 - 47	H144557	4D4	11	120 - 49	H145516	5C10	5	130 - 31
H143745	4E25	11	121 - 11	H144558	4D2	19	120 - 47	H145516	5C10	6	130 - 31
H143745	4H6	8	121 - 65	H144692	1B9	20	20 - 5	H145528	4I6	11	125 - 5
H143757	1B13	10	20 - 9	H144715	3B10	24	80 - 5	H145639	4B15	16	120 - 9
H143761	1B13	8	20 - 9	H144716	3B10	24	80 - 5	H145639	4B17	12	120 - 11

NUMERICAL INDEX - CONTINUED

PART NO.	GRID	KEY	PAGE	PART NO.	GRID	KEY	PAGE	PART NO.	GRID	KEY	PAGE
H145639	4B21	2	120 - 15	H146391	2F8	22	60 - 21	H147304	4H14	1	121 - 73
H145683	4H22	5	121 - 81	H146391	3G7	22	90 - 65	H147319	4H22	24	121 - 81
H145686	4H22	4	121 - 81	H146392	2F8	21	60 - 21	H147415	1E20	23	30 - 3
H145687	4H22	8	121 - 81	H146392	3G7	21	90 - 65	H147468	4B15	20	120 - 9
H145688	4H22	6	121 - 81	H146393	2F8	21	60 - 21	H147482	3I7	10	110 - 29
H145689	4H22	2	121 - 81	H146393	3G7	21	90 - 65	H147483	4F12	1	121 - 23
H145693	4H22	15	121 - 81	H146394	4G10	17	121 - 45	H147483	4F20	1	121 - 31
H145694	4H22	17	121 - 81	H146414	4H10	6	121 - 69	H147486	2H21	6	70 - 34
H145695	4H22	10	121 - 81	H146429	3G11	29	90 - 69	H147490	2C6	2	50 - 25
H145706	1E20	31	30 - 3	H146453	4E12	2	120 - 83	H147496	4E2	14	120 - 73
H145716	3B8	8	80 - 3	H146454	4E12	14	120 - 83	H147519	4E2	12	120 - 73
H145773	4B13	25	120 - 7	H146455	4E12	14	120 - 83	H147520	4E2	8	120 - 73
H145773	4B13	..	120 - 7	H146457	1H12	5	40 - 49	H147521	4E17	32	121 - 3
H145773	4C18	24	120 - 37	H146457	1H14	7	40 - 51	H147522	4E17	31	121 - 3
H145773	5C8	8	130 - 29	H146457	3I21	10	110 - 43	H147523	4E17	28	121 - 3
H145778	4H18	22	121 - 77	H146457	4B13	28	120 - 7	H147593	3I7	3	110 - 29
H145792	4E4	10	120 - 75	H146457	4B13	..	120 - 7	H147656	4C21	21	120 - 41
H145819	4C18	8	120 - 37	H146457	4H4	19	121 - 63	H147657	4C21	22	120 - 41
H145832	1F8	7	30 - 15	H146536	4J15	6	125 - 39	H147660	4J13	11	125 - 37
H145845	4E8	1	120 - 79	H146577	1B7	8	20 - 3	H147688	4C12	12	120 - 31
H145847	2E14	1	60 - 3	H146636	5E4	3	170 - 3	H147752	5C20	27	130 - 41
H145858	4H18	18	121 - 77	H146640	2B17	4	50 - 11	H147838	4E4	3	120 - 75
H145893	3E2	11	90 - 11	H146646	2C2	22	50 - 21	H147845	4B7	1	120 - 1
H145919	4I4	15	125 - 3	H146672	4D12	1	120 - 57	H147846	4J15	22	125 - 39
H145920	4I10	20	125 - 9	H146695	4C18	12	120 - 37	H147911	4F12	3	121 - 23
H145921	4I10	21	125 - 9	H146730	4B9	7	120 - 3	H147911	4F20	3	121 - 31
H145922	4I10	19	125 - 9	H146752	4E10	12	120 - 81	H147967	4J22	29	125 - 47
H145943	4E12	21	120 - 83	H146756	3C16	7	80 - 35	H148000	3B10	22	80 - 5
H145944	4E17	24	121 - 3	H146757	3D6	19	80 - 51	H148018	4B9	4	120 - 3
H145949	4D4	7	120 - 49	H146766	3H18	17	110 - 15	H148019	4B9	3	120 - 3
H145950	4D4	5	120 - 49	H146766	3H20	20	110 - 17	H148021	4B9	2	120 - 3
H145955	4G10	1	121 - 45	H146775	5C18	5	130 - 39	H148023	4B9	20	120 - 3
H145970	4B13	2	120 - 7	H146887	3G24	26	90 - 83	H148025	4I18	6	125 - 17
H145970	4F24	16	121 - 35	H146950	1I12	9	40 - 73	H148056	5C10	9	130 - 31
H145982	3E4	14	90 - 13	H147004	2E24	1	60 - 13	H148058	4B11	15	120 - 5
H145995	2G9	..	60 - 49	H147068	1F8	8	30 - 15	H148066	4B11	16	120 - 5
H145995	2G10	..	60 - 50	H147068	1F10	8	30 - 17	H148107	4I16	8	125 - 15
H145995	5G9	1	170 - 56	H147072	4H22	11	121 - 81	H148116	5C10	8	130 - 31
H146006	4E12	16	120 - 83	H147073	4H22	9	121 - 81	H148131	4F20	27	121 - 31
H146011	4I16	1	125 - 15	H147073	4I8	1	125 - 7	H148132	3H6	24	110 - 3
H146022	4C18	23	120 - 37	H147104	4H22	16	121 - 81	H148132	3J6	8	110 - 53
H146023	4C18	23	120 - 37	H147105	4H22	13	121 - 81	H148132	4F12	15	121 - 23
H146026	4H6	31	121 - 65	H147106	4H22	14	121 - 81	H148133	3H6	25	110 - 3
H146042	2F8	41	60 - 21	H147115	1B13	8	20 - 9	H148133	3J6	9	110 - 53
H146042	3G7	41	90 - 65	H147125	4E2	2	120 - 73	H148133	4F12	16	121 - 23
H146045	1H12	15	40 - 49	H147128	4E23	9	121 - 9	H148134	3H6	29	110 - 3
H146045	1H14	1	40 - 51	H147132	4E10	4	120 - 81	H148134	3J6	13	110 - 53
H146046	4H24	6	121 - 83	H147137	3C19	..	80 - 38	H148134	4F12	19	121 - 23
H146047	4H24	5	121 - 83	H147153	4E2	9	120 - 73	H148166	1E20	25	30 - 3
H146048	4I12	10	125 - 11	H147192	2F10	10	60 - 23	H148166	1E20	26	30 - 3
H146049	4I12	5	125 - 11	H147192	3G9	10	90 - 67	H148187	3I21	4	110 - 43
H146055	1H14	3	40 - 51	H147229	4E25	7	121 - 11	H148241	4G8	8	121 - 43
H146056	1H12	9	40 - 49	H147229	4H6	10	121 - 65	H148270	1H13	1	40 - 50
H146064	1B7	14	20 - 3	H147230	4E12	12	120 - 83	H148271	1H13	6	40 - 50
H146088	2E3	1	50 - 74	H147231	4E12	12	120 - 83	H148286	2C4	9	50 - 23
H146089	2E3	1	50 - 74	H147232	4E12	12	120 - 83	H148340	1I8	1	40 - 69
H146166	4C18	20	120 - 37	H147233	4E12	12	120 - 83	H148340	2J6	3	70 - 67
H146260	3B14	10	80 - 9	H147234	4E12	12	120 - 83	H148340	2J6	15	70 - 67
H146292	4E25	17	121 - 11	H147249	1F24	1	40 - 11	H148340	5D15	46	130 - 63
H146306	1G19	24	40 - 31	H147286	4E10	10	120 - 81	H148361	4D4	12	120 - 49
H146306	1G21	24	40 - 33	H147294	4E25	17	121 - 11	H148362	4D4	18	120 - 49
H146306	5D25	10	160 - 5	H147299	5C8	20	130 - 29	H148366	2I5	14	70 - 41
H146310	5D15	41	130 - 63	H147302	4H10	2	121 - 69	H148376	5C20	20	130 - 41
H146315	3F24	15	90 - 57	H147302	4H12	2	121 - 71	H148416	1B9	24	20 - 5
H146318	4B23	5	120 - 17	H147302	4H14	2	121 - 73	H148518	5C10	10	130 - 31
H146326	4C10	10	120 - 29	H147304	4H10	1	121 - 69	H148633	4J25	7	125 - 51
H146327	2E14	13	60 - 3	H147304	4H12	1	121 - 71	H148673	4E2	5	120 - 73

NUMERICAL INDEX - CONTINUED

PART NO.	GRID	KEY	PAGE	PART NO.	GRID	KEY	PAGE	PART NO.	GRID	KEY	PAGE
H148674	4E2	3	120 - 73	H149098	5F4	2	170 - 27	H150134	4B11	2	120 - 5
H148702	5C24	4	130 - 45	H149099	5E8	3	170 - 7	H150142	4E10	4	120 - 81
H148768	4F6	20	121 - 17	H149099	5E16	3	170 - 15	H150222	2D14	13	50 - 61
H148769	4F6	38	121 - 17	H149099	5G6	14	170 - 53	H150222	2D16	14	50 - 63
H148769	4F8	17	121 - 19	H149099	5G8	15	170 - 55	H150222	2D18	12	50 - 65
H148770	4F8	4	121 - 19	H149100	5E20	2	170 - 19	H150223	2D14	10	50 - 61
H148775	2I15	23	70 - 51	H149100	5F4	3	170 - 27	H150223	2D16	18	50 - 63
H148776	1F2	13	30 - 9	H149101	5E18	1	170 - 17	H150223	2D18	10	50 - 65
H148818	3H12	5	110 - 9	H149101	5G13	2	170 - 61	H150383	2F8	15	60 - 21
H148818	3I5	3	110 - 26	H149102	4H8	27	121 - 67	H150383	3G7	15	90 - 65
H148899	1I8	6	40 - 69	H149102	4H18	17	121 - 77	H150385	3G11	31	90 - 69
H148900	1I8	6	40 - 69	H149103	4H8	27	121 - 67	H150401	4H8	8	121 - 67
H148925	4B9	11	120 - 3	H149104	5E18	2	170 - 17	H150401	4H8	9	121 - 67
H148998	3H24	5	110 - 21	H149104	5G11	23	170 - 59	H150402	4H8	15	121 - 67
H149027	4H18	9	121 - 77	H149138	5G11	7	170 - 59	H150402	4H8	16	121 - 67
H149037	5E10	4	170 - 9	H149142	5G6	..	170 - 53	H150403	4H8	10	121 - 67
H149037	5G6	10	170 - 53	H149143	5G8	15	170 - 55	H150404	4H8	14	121 - 67
H149040	5E22	4	170 - 21	H149357	5G6	..	170 - 53	H150411	2J9	3	70 - 70
H149046	5E22	2	170 - 21	H149369	2I3	13	70 - 39	H150412	2J9	6	70 - 70
H149062	5C4	9	130 - 25	H149380	3E24	2	90 - 33	H150434	3H20	34	110 - 17
H149062	5E10	3	170 - 9	H149398	3E19	..	90 - 28	H150455	3F4	9	90 - 37
H149062	5E12	1	170 - 11	H149399	3E19	..	90 - 28	H150458	3I21	13	110 - 43
H149062	5G12	4	170 - 60	H149401	4H10	4	121 - 69	H150528	3I11	10	110 - 33
H149063	3H18	7	110 - 15	H149415	4E12	18	120 - 83	H150646	2B13	..	50 - 7
H149063	3H18	29	110 - 15	H149416	4E12	18	120 - 83	H150646	2G9	..	60 - 49
H149063	3H20	38	110 - 17	H149417	4E12	18	120 - 83	H150646	5G9	1	170 - 56
H149063	3H22	22	110 - 19	H149418	4E12	18	120 - 83	H150662	3H8	18	110 - 5
H149063	3I13	16	110 - 35	H149419	4E12	18	120 - 83	H150681	1F18	8	40 - 5
H149063	3I25	36	110 - 47	H149454	1E22	14	30 - 5	H150746	3D6	13	80 - 51
H149063	5E8	2	170 - 7	H149459	3H24	7	110 - 21	H150749	3C12	5	80 - 31
H149063	5E14	4	170 - 13	H149460	3H24	8	110 - 21	H150752	4E10	3	120 - 81
H149063	5G8	26	170 - 55	H149461	3H24	2	110 - 21	H150763	5G8	10	170 - 55
H149064	5E8	4	170 - 7	H149461	3H24	3	110 - 21	H150837	4B13	24	120 - 7
H149064	5E16	5	170 - 15	H149467	4D24	17	120 - 69	H150920	2J8	13	70 - 69
H149064	5G8	20	170 - 55	H149468	4D24	16	120 - 69	H150923	1I16	3	40 - 77
H149065	5E12	3	170 - 11	H149480	3E6	18	90 - 15	H150926	2J8	1	70 - 69
H149065	5G11	2	170 - 59	H149480	5G11	3	170 - 59	H150929	1G4	1	40 - 15
H149066	5C12	23	130 - 33	H149504	3H8	14	110 - 5	H150951	3E14	10	90 - 23
H149066	5E14	3	170 - 13	H149517	3I2	7	110 - 23	H150980	2D22	6	50 - 69
H149067	5E16	1	170 - 15	H149518	3I2	6	110 - 23	H150980	2J12	8	70 - 73
H149068	5G11	18	170 - 59	H149523	3I2	19	110 - 23	H150982	2D22	3	50 - 69
H149074	5E20	3	170 - 19	H149780	5D2	1	130 - 49	H150983	2J12	5	70 - 73
H149074	5F4	5	170 - 27	H149780	5D4	1	130 - 51	H151067	4B9	9	120 - 3
H149075	5E24	3	170 - 23	H149780	5D6	1	130 - 53	H151068	4B9	19	120 - 3
H149076	5E22	3	170 - 21	H149788	1H10	9	40 - 47	H151087	2C15	18	50 - 35
H149076	5E24	1	170 - 23	H149793	5C25	5	130 - 46	H151087	2C16	18	50 - 36
H149077	5E20	1	170 - 19	H149803	2I23	6	70 - 59	H151161	2B9	17	50 - 3
H149077	5F2	4	170 - 25	H149804	2I23	33	70 - 59	H151165	3F24	10	90 - 57
H149078	5F2	3	170 - 25	H149805	5G9	4	170 - 56	H151166	3G5	1	90 - 62
H149079	5F4	1	170 - 27	H149869	5C25	4	130 - 46	H151181	4H8	6	121 - 67
H149080	5F2	1	170 - 25	H149992	4H18	11	121 - 77	H151182	4H8	1	121 - 67
H149088	5E10	1	170 - 9	H150034	4D18	14	120 - 63	H151318	5G6	26	170 - 53
H149088	5G12	2	170 - 60	H150047	3E2	10	90 - 11	H151318	5G8	34	170 - 55
H149089	5E22	1	170 - 21	H150054	2H21	1	70 - 34	H151376	1F18	17	40 - 5
H149090	5E12	2	170 - 11	H150054	3H18	8	110 - 15	H151397	5B20	10	130 - 15
H149091	5E24	2	170 - 23	H150054	3H20	9	110 - 17	H151484	4B15	9	120 - 9
H149092	2I3	13	70 - 39	H150055	2H21	17	70 - 34	H151484	4B15	24	120 - 9
H149092	2I5	6	70 - 41	H150055	3H20	6	110 - 17	H151575	2G9	..	60 - 49
H149092	5E16	2	170 - 15	H150062	2I23	31	70 - 59	H151575	5G9	1	170 - 56
H149096	4I6	15	125 - 5	H150091	4C25	8	120 - 45	H151579	1J20	1	40 - 105
H149096	5E10	5	170 - 9	H150092	4C25	19	120 - 45	H151585	2D22	16	50 - 69
H149096	5E14	2	170 - 13	H150100	3G11	1	90 - 69	H151585	2J12	1	70 - 73
H149096	5G6	2	170 - 53	H150117	5B8	15	130 - 3	H151607	3I2	5	110 - 23
H149096	5G8	8	170 - 55	H150128	4B11	1	120 - 5	H151629	2J9	8	70 - 70
H149096	5G11	7	170 - 59	H150130	4B11	3	120 - 5	H151671	5F18	3	170 - 41
H149097	5E22	5	170 - 21	H150131	4B11	19	120 - 5	H151671	5G4	1	170 - 51
H149097	5F2	2	170 - 25	H150133	4B11	5	120 - 5	H151671	5G6	12	170 - 53

NUMERICAL INDEX - CONTINUED

PART NO.	GRID	KEY	PAGE	PART NO.	GRID	KEY	PAGE	PART NO.	GRID	KEY	PAGE
H151671	5G6	20	170 - 53	H154808	4D24	19	120 - 69	H157349	5G8	4	170 - 55
H151671	5G8	19	170 - 55	H154825	1B15	5	20 - 11	H157351	5G6	21	170 - 53
H151671	5G8	29	170 - 55	H154928	4D22	5	120 - 67	H157566	3G11	5	90 - 69
H151694	2J9	11	70 - 70	H154929	4D18	8	120 - 63	H157594	2G25	8	70 - 13
H151739	2F23	7	60 - 36	H154959	4J15	30	125 - 39	H157698	2B14	6	50 - 8
H151897	4D4	15	120 - 49	H155112	3B16	16	80 - 11	H157740	4D14	6	120 - 59
H151908	1G4	39	40 - 15	H155289	4J5	28	125 - 29	H157740	4D16	11	120 - 61
H151952	3I19	7	110 - 41	H155289	4J9	18	125 - 33	H157741	4D20	6	120 - 65
H151952	4F18	26	121 - 29	H155459	3H6	5	110 - 3	H157742	4D20	6	120 - 65
H151952	4H2	12	121 - 61	H155510	1F18	3	40 - 5	H157743	4D14	7	120 - 59
H151952	5E5	1	170 - 4	H155510	5E12	4	170 - 11	H157743	4D16	12	120 - 61
H152047	3C23	15	80 - 43	H155525	4H6	33	121 - 65	H157744	4D20	7	120 - 65
H152048	3C21	11	80 - 41	H155525	5E5	3	170 - 4	H157752	4D16	6	120 - 61
H152062	3H22	33	110 - 19	H155750	1H12	7	40 - 49	H157866	1F2	9	30 - 9
H152135	3D6	17	80 - 51	H155758	4E25	8	121 - 11	H157914	5G11	9	170 - 59
H152146	4G20	21	121 - 55	H155825	4F18	28	121 - 29	H157914	5G11	18	170 - 59
H152164	2E14	7	60 - 3	H155968	5B8	33	130 - 3	H157916	5G11	10	170 - 59
H152165	2E16	18	60 - 5	H156098	4H12	5	121 - 71	H157967	4B17	2	120 - 11
H152166	2E16	12	60 - 5	H156098	4H14	5	121 - 73	H157985	5G8	13	170 - 55
H152170	2F8	25	60 - 21	H156100	4H12	7	121 - 71	H158011	5G12	3	170 - 60
H152170	3G7	25	90 - 65	H156100	4H14	7	121 - 73	H158292	1I13	6	40 - 74
H152171	2F8	4	60 - 21	H156101	4H12	6	121 - 71	H158364	4H14	10	121 - 73
H152171	3G7	4	90 - 65	H156101	4H14	6	121 - 73	H158404	4H14	12	121 - 73
H152172	2F10	10	60 - 23	H156127	2B15	5	50 - 9	H158405	4H14	11	121 - 73
H152172	3G9	10	90 - 67	H156127	2B16	3	50 - 10	H158525	3G11	21	90 - 69
H152173	2F10	2	60 - 23	H156379	3H20	30	110 - 17	H158579	1F20	3	40 - 7
H152173	3G9	2	90 - 67	H156390	2F8	42	60 - 21	H158579	3E22	3	90 - 31
H152174	2F10	12	60 - 23	H156390	3G7	42	90 - 65	H158579	3H2	11	90 - 85
H152174	3G9	12	90 - 67	H156390	5E14	1	170 - 13	H158596	2J14	9	70 - 75
H152180	4G20	21	121 - 55	H156513	2E16	3	60 - 5	H158614	3D12	2	80 - 57
H152238	5F18	4	170 - 41	H156514	2E16	1	60 - 5	H158615	4K2	9	125 - 53
H152238	5G6	18	170 - 53	H156576	3I7	12	110 - 29	H158616	3D12	12	80 - 57
H152239	5G4	4	170 - 51	H156578	3I7	11	110 - 29	H158627	3D12	9	80 - 57
H152240	5F20	3	170 - 43	H156579	3I7	14	110 - 29	H158629	4K2	3	125 - 53
H152240	5G12	5	170 - 60	H156580	3I7	5	110 - 29	H158633	3D12	3	80 - 57
H152241	5F22	1	170 - 45	H156717	4D8	2	120 - 53	H158638	2J20	5	70 - 81
H152241	5G11	24	170 - 59	H156718	4D8	2	120 - 53	H158638	4K2	6	125 - 53
H152242	5F22	3	170 - 45	H156800	4D6	5	120 - 51	H158646	3D14	7	80 - 59
H152242	5G12	8	170 - 60	H156801	4D6	6	120 - 51	H158712	4E4	11	120 - 75
H152243	5G2	4	170 - 49	H156936	4B25	1	120 - 19	H158737	4E4	6	120 - 75
H152243	5G8	14	170 - 55	H156936	4C4	1	120 - 23	H158749	3B10	2	80 - 5
H152403	1B15	3	20 - 11	H157014	2C8	3	50 - 27	H158790	4F18	21	121 - 29
H152616	4D8	8	120 - 53	H157042	4H18	22	121 - 77	H158817	5D8	19	130 - 55
H152617	4D8	7	120 - 53	H157067	3H6	20	110 - 3	H158830	3G11	3	90 - 69
H152868	1B20	1	20 - 17	H157109	4H8	29	121 - 67	H158845	1B7	50	20 - 3
H152868	1C24	1	24 - 21	H157163	4H18	14	121 - 77	H158884	2F24	1	60 - 38
H152916	5B8	10	130 - 3	H157282	4D2	17	120 - 47	H158884	2F25	1	60 - 39
H153438	3G11	6	90 - 69	H157289	5G8	9	170 - 55	H158942	2J9	10	70 - 70
H153479	3F2	5	90 - 35	H157293	5G8	10	170 - 55	H158951	3H22	12	110 - 19
H153480	3F2	4	90 - 35	H157303	5G2	4	170 - 49	H158975	5E8	1	170 - 7
H153524	4G16	9	121 - 51	H157303	5G8	14	170 - 55	H158975	5G9	5	170 - 56
H153524	4G20	10	121 - 55	H157317	5G11	15	170 - 59	H159291	2J20	3	70 - 81
H153648	4D10	1	120 - 55	H157319	5G8	34	170 - 55	H159533	3H22	11	110 - 19
H153649	4D10	3	120 - 55	H157321	5G9	2	170 - 56	H159534	3H22	19	110 - 19
H153721	3G24	21	90 - 83	H157321	5G9	4	170 - 56	H159613	3I7	6	110 - 29
H153722	3G24	22	90 - 83	H157323	5G9	1	170 - 56	H159614	3I7	13	110 - 29
H153728	2G9	..	60 - 49	H157327	5G6	5	170 - 53	H159636	3G11	30	90 - 69
H153760	4D10	5	120 - 55	H157329	5G6	25	170 - 53	H159784	5D6	2	130 - 53
H153953	4C14	2	120 - 33	H157331	5G6	6	170 - 53	H159806	1J18	7	40 - 103
H154128	5G2	2	170 - 49	H157333	5G11	20	170 - 59	H159831	1F14	1	40 - 1
H154128	5G11	14	170 - 59	H157335	5G8	25	170 - 55	H159975	3H22	2	110 - 19
H154195	3B14	5	80 - 9	H157339	5G8	12	170 - 55	H159975	3I2	26	110 - 23
H154221	4C10	3	120 - 29	H157341	5G9	3	170 - 56	H160024	1B20	6	20 - 17
H154331	3I11	22	110 - 33	H157345	5G6	13	170 - 53	H160171	5B16	15	130 - 11
H154332	5G11	15	170 - 59	H157345	5G8	35	170 - 55	H160171	5C2	10	130 - 23
H154720	2C5	15	50 - 24	H157347	5G8	28	170 - 55	H160171	5E4	5	170 - 3
H154757	3C18	11	80 - 37	H157347	5G11	16	170 - 59	H160187	3D10	6	80 - 55

NUMERICAL INDEX - CONTINUED

PART NO.	GRID	KEY	PAGE	PART NO.	GRID	KEY	PAGE	PART NO.	GRID	KEY	PAGE
H160265	3B10	30	80 - 5	H162081	5G8	22	170 - 55	H164537	3I25	9	110 - 47
H160268	5G6	24	170 - 53	H162082	5G6	7	170 - 53	H164537	5G6	27	170 - 53
H160268	5G8	7	170 - 55	H162083	5G8	22	170 - 55	H164556	4K4	3	125 - 55
H160270	5G9	2	170 - 56	H162138	1B7	46	20 - 3	H164605	4I20	1	125 - 19
H160319	5B20	11	130 - 15	H162138	3B14	27	80 - 9	H164612	1B11	23	20 - 7
H160332	5G8	16	170 - 55	H162177	3I13	15	110 - 35	H164632	1I14	1	40 - 75
H160334	5G11	12	170 - 59	H162177	3I25	27	110 - 47	H164771	1F2	19	30 - 9
H160367	1B12	1	20 - 8	H162211	3I25	20	110 - 47	H164794	2C2	20	50 - 21
H160368	1B11	9	20 - 7	H162269	3I19	27	110 - 41	H164849	1F2	16	30 - 9
H160405	1B11	8	20 - 7	H162278	3I25	25	110 - 47	H164854	3G24	26	90 - 83
H160405	5E4	1	170 - 3	H162288	3I19	26	110 - 41	H164872	1I16	22B	40 - 77
H160406	1B7	45	20 - 3	H162325	3I13	2	110 - 35	H164921	2F10	42	60 - 23
H160448	5G9	2	170 - 56	H162326	3I13	7	110 - 35	H164921	3G9	42	90 - 67
H160459	5G8	28	170 - 55	H162425	3I13	14	110 - 35	H164952	1F16	2	40 - 3
H160464	1B7	34	20 - 3	H162425	3I25	23	110 - 47	H165243	4H20	16	121 - 79
H160476	1G19	3	40 - 31	H162569	2F10	41	60 - 23	H165252	1I3	7	40 - 64
H160476	1G21	3	40 - 33	H162569	3G9	41	90 - 67	H165266	5G8	16	170 - 55
H160596	3F4	5	90 - 37	H162572	5C8	46	130 - 29	H165291	2F8	25	60 - 21
H160701	5G8	17	170 - 55	H162584	2J14	7	70 - 75	H165291	3G7	25	90 - 65
H160715	4J15	28	125 - 39	H162585	2J14	8	70 - 75	H165292	2F8	4	60 - 21
H160733	3D12	8	80 - 57	H162629	4F20	25	121 - 31	H165292	3G7	4	90 - 65
H160797	5G8	36	170 - 55	H162629	4G10	3	121 - 45	H165293	2F10	10	60 - 23
H160869	3I19	9	110 - 41	H162629	5E4	6	170 - 3	H165293	3G9	10	90 - 67
H160880	1H8	6	40 - 45	H162719	2B12	6	50 - 6	H165294	2F10	2	60 - 23
H160880	4H20	18	121 - 79	H162748	3E6	23	90 - 15	H165294	3G9	2	90 - 67
H160978	3D10	1	80 - 55	H162996	1K1	5	40 - 111	H165317	3I21	24	110 - 43
H161021	3G11	1	90 - 69	H163175	3I25	22	110 - 47	H165317	3I25	42	110 - 47
H161088	5C12	18	130 - 33	H163182	2H4	7	70 - 17	H165318	3I21	21	110 - 43
H161091	3F4	13	90 - 37	H163211	2D22	18	50 - 69	H165318	3I25	43	110 - 47
H161155	1B20	10	20 - 17	H163216	5G6	28	170 - 53	H165320	3D14	14	80 - 59
H161208	5G11	18	170 - 59	H163216	5G8	37	170 - 55	H165432	5C12	10	130 - 33
H161209	5G11	9	170 - 59	H163377	2H2	1	70 - 15	H165508	2C2	4	50 - 21
H161289	3E16	15	90 - 25	H163378	2H2	4	70 - 15	H165510	2B16	12	50 - 10
H161354	3B18	5	80 - 13	H163384	5G8	38	170 - 55	H165510	2C8	8	50 - 27
H161354	3B18	7	80 - 13	H163397	3G11	4	90 - 69	H165583	1F18	11	40 - 5
H161387	3H14	21	110 - 11	H163491	2G9	10	60 - 49	H165585	3B18	13	80 - 13
H161387	3I19	16	110 - 41	H163491	2G10	6	60 - 50	H165587	3B18	19	80 - 13
H161388	3I19	15	110 - 41	H163515	1I5	3	40 - 66	H165656	5G8	38	170 - 55
H161529	5D10	19	130 - 57	H163515	3G17	9	90 - 75	H165657	5G8	38	170 - 55
H161529	5D12	8	130 - 59	H163561	2B15	5	50 - 9	H165658	5G8	38	170 - 55
H161534	2C5	1	50 - 24	H163692	2C4	9	50 - 23	H165662	2B16	14	50 - 10
H161540	2C4	2	50 - 23	H163693	2C4	9	50 - 23	H165663	2B16	14	50 - 10
H161541	2C4	3	50 - 23	H163694	2C4	5	50 - 23	H165667	2C8	10	50 - 27
H161542	2C4	3	50 - 23	H163726	4F12	14	121 - 23	H165668	2C8	10	50 - 27
H161543	2C4	3	50 - 23	H163745	2C4	3	50 - 23	H165691	2G15	11	70 - 3
H161544	3I19	20	110 - 41	H163757	4K4	1	125 - 55	H165691	3E20	4	90 - 29
H161549	1F18	4	40 - 5	H163787	5D10	12	130 - 57	H165691	3F4	3	90 - 37
H161566	3H8	11	110 - 5	H163920	5C12	13	130 - 33	H165691	3H2	13	90 - 85
H161576	1B15	4	20 - 11	H163921	5C12	12	130 - 33	H165693	2F8	24	60 - 21
H161629	2C8	3	50 - 27	H163994	3I25	13	110 - 47	H165693	2F10	11	60 - 23
H161648	3H6	12	110 - 3	H164009	3I25	31	110 - 47	H165693	3G7	24	90 - 65
H161648	3H14	10	110 - 11	H164018	3I25	40	110 - 47	H165693	3G9	11	90 - 67
H161648	3J2	10	110 - 49	H164030	3I25	14A	110 - 47	H165693	3H2	9	90 - 85
H161648	5E5	5	170 - 4	H164222	3I25	10	110 - 47	H166148	2J20	3	70 - 81
H161795	1B11	8	20 - 7	H164222	4B15	29	120 - 9	H166201	2C8	11	50 - 27
H161871	2C5	16	50 - 24	H164222	4B23	17	120 - 17	H166216	3H8	11	110 - 5
H162004	1B11	25	20 - 7	H164348	1I16	7	40 - 77	H166357	1I14	2	40 - 75
H162048	3F4	4	90 - 37	H164391	3I21	20	110 - 43	H166375	2C6	2	50 - 25
H162061	5G6	4	170 - 53	H164391	3I25	44	110 - 47	H166395	1F8	..	30 - 15
H162062	5G11	6	170 - 59	H164411	3I25	47	110 - 47	H166971	3H14	21	110 - 11
H162064	5G8	5	170 - 55	H164452	3J2	11	110 - 49	H166971	3I19	16	110 - 41
H162065	5G8	6	170 - 55	H164494	3I23	7	110 - 45	H167127	4H14	10	121 - 73
H162066	5G6	1	170 - 53	H164508	3D8	12	80 - 53	H167159	3B14	3	80 - 9
H162077	5G6	8	170 - 53	H164536	1H24	8	40 - 61	H167174	3E10	1	90 - 19
H162078	5G8	1	170 - 55	H164536	1I2	4	40 - 63	H167375	2B19	5	50 - 13
H162079	5G8	24	170 - 55	H164537	3H20	33	110 - 17	H167444	5G8	16	170 - 55
H162080	5G6	7	170 - 53	H164537	3I13	17	110 - 35	H167587	4I4	29	125 - 3

NUMERICAL INDEX - CONTINUED

PART NO.	GRID	KEY	PAGE	PART NO.	GRID	KEY	PAGE	PART NO.	GRID	KEY	PAGE
H167723	2C5	7	50-24	H170634	1J16	9	40-101	H63289	2C16	3	50-36
H167912	3F4	5	90-37	H170634	3H6	30	110-3	H63289	2C22	14	50-43
H168019	4J15	41	125-39	H170634	3H8	..	110-5	H63289	2G19	10	70-7
H168068	4E12	23	120-83	H170634	3J6	19	110-53	H63289	4I24	10	125-23
H168069	4E12	24	120-83	H170634	3J6	25	110-53	H64374	4C23	1	120-43
H168070	4E12	25	120-83	H170645	3H6	3	110-3	H64374	4H16	2	121-75
H168071	4E12	26	120-83	H170967	5B25	14	130-21	H64375	4H16	12	121-75
H168072	4E12	21	120-83	H170967	5B25	20	130-21	H64376	4B13	1	120-7
H168073	4E12	16	120-83	H171006	4J15	9	125-39	H64376	4B19	1	120-13
H168074	4E12	18	120-83	H171061	1B11	16	20-7	H64376	4F24	15	121-35
H168075	4E12	18	120-83	H171061	4C6	6	120-25	H64376	5C16	2	130-37
H168076	4E12	18	120-83	H171061	4C12	17	120-31	H64584	3D4	16	80-49
H168077	4E12	18	120-83	H171061	4E23	23	121-9	H64584	5C6	7	130-27
H168078	4E12	18	120-83	H171061	4G8	13	121-43	H64612	5C12	22	130-33
H168080	4E12	17	120-83	H171061	4G14	15	121-49	H64813	2C20	29	50-41
H168125	3H8	14	110-5	H171061	4H2	4	121-61	H748DA	4G14	8	121-49
H168126	3H6	7	110-3	H171061	4H6	17	121-65	H75267	4F14	3	121-25
H168166	2B16	1	50-10	H171061	4J20	12	125-45	H75358	2B23	30	50-17
H168278	3I21	19	110-43	H171061	5C2	13	130-23	H75385	4F4	14	121-15
H168278	3I25	14B	110-47	H171093	4H18	18	121-77	H75423	2D8	..	50-55
H168278	3I25	14C	110-47	H171318	3I13	15	110-35	H75423	2F24	5	60-38
H168359	1B15	5	20-11	H171318	3I25	27	110-47	H75423	2F25	5	60-39
H168419	1F14	1	40-1	H171977	3C4	22	80-23	H75541	1B18	8	20-15
H168420	1G17	16	40-29	H172116	4K2	3	125-53	H75541	1F8	11	30-15
H168421	1F18	4	40-5	H172142	3J4	10	110-51	H75541	2I5	24	70-41
H168423	1F20	2	40-7	H172177	3I13	14	110-35	H75700	2B19	7	50-13
H168423	3E22	2	90-31	H172177	3I25	23	110-47	H75716	4J11	35	125-35
H168424	1F20	3	40-7	H172923	2E16	18	60-5	H75952	5B8	22	130-3
H168424	3E22	3	90-31	H172924	2E16	12	60-5	H75985	5B10	10	130-5
H168425	3F24	10	90-57	H172944	3E16	12	90-25	H76064	1G15	9	40-27
H168426	1G4	33	40-15	H173009	4E10	3	120-81	H76064	1H24	5	40-61
H168428	3G5	1	90-62	H173011	5D15	41	130-63	H76064	1I2	19	40-63
H168429	3E20	1	90-29	H173218	2G4	7	60-43	H76083	3H20	37	110-17
H168430	3E20	6	90-29	H173218	2G4	11	60-43	H76083	3H22	31	110-19
H168431	3D24	3	90-9	H173218	2G4	15	60-43	H76083	4J15	18	125-39
H168432	3F4	13	90-37	H173223	5C16	34	130-37	H76152	2B17	7	50-11
H168433	3F4	4	90-37	H173334	5G8	16	170-55	H76863	5C10	5	130-31
H168434	3G4	5	90-61	H173824	5F2	1	170-25	H76933	4I4	23	125-3
H168744	2B16	1	50-10	H174266	2G9	..	60-49	H77337	1I10	14	40-71
H168780	2G15	11	70-3	H174266	5G9	1	170-56	H77358	3F24	11	90-57
H168780	3E20	4	90-29	H175540	4D18	1	120-63	H77507	1E20	7	30-3
H168780	3F4	3	90-37	H175590	4D24	5	120-69	H77698	1H18	10	40-55
H168780	3H2	13	90-85	H175703	3H22	4	110-19	H77698	3G24	..	90-83
H168781	3F4	9	90-37	H22784	2C5	14	50-24	H77698	3I19	14	110-41
H168924	1H13	2	40-50	H23196	3G24	6	90-83	H77698	4C14	7	120-33
H168924	4C23	13	120-43	H23950	4H16	6	121-75	H77698	4J5	16	125-29
H168924	4E17	2	121-3	H25099	4G22	6	121-57	H77739	2B9	10	50-3
H168924	4E17	20	121-3	H25360	3H12	7	110-9	H78340	4H4	4	121-63
H168924	4H16	3	121-75	H26552	4J20	16	125-45	H80440	2F19	4	60-32
H168961	2B9	14	50-3	H28031	5D18	7	130-67	H80753	2F10	35	60-23
H168988	2B11	16	50-5	H28865	3H12	8	110-9	H80753	3G9	35	90-67
H168988	2C18	23	50-39	H29623	5C16	18	130-37	H80796	5G8	11	170-55
H168989	2B9	12	50-3	H35112	2G23	4	70-11	H80821	2I25	10	70-61
H168998	1J20	1	40-105	H35712	3B20	6	80-15	H80821	2J2	11	70-63
H169292	3B16	20	80-11	H36155	4C23	29	120-43	H80821	4J9	10	125-33
H169344	1B22	7	20-19	H36221	3D20	11	90-5	H80926	3H12	2	110-9
H169344	5E10	2	170-9	H36221	3G24	20	90-83	H80926	3I5	1	110-26
H169509	2J9	5	70-70	H36256	2F10	48	60-23	H80926	4E4	1	120-75
H169604	3H6	20	110-3	H36256	3G9	48	90-67	H81330	5D4	6	130-51
H169765	5G8	38	170-55	H63271	2C10	3	50-29	H81461	2E20	30	60-9
H169793	1E20	9	30-3	H63271	2C13	17	50-33	H81467	2E20	17	60-9
H169794	1E20	6	30-3	H63271	2C15	26	50-35	H82060	5C4	15	130-25
H170105	5E22	2	170-21	H63271	2C16	26	50-36	H82232	2B23	3	50-17
H170211	5G11	25	170-59	H63271	2C20	9	50-41	H82233	2B23	4	50-17
H170303	1F4	2	30-11	H63271	2C21	6	50-42	H82234	2B23	2	50-17
H170303	4F4	21	121-15	H63288	2C22	13	50-43	H82619	4F4	18	121-15
H170427	4E17	14	121-3	H63289	2C15	3	50-35	H82620	4F18	7	121-29

NUMERICAL INDEX - CONTINUED

PART NO.	GRID	KEY	PAGE	PART NO.	GRID	KEY	PAGE	PART NO.	GRID	KEY	PAGE
H82620	4F20	32	121 - 31	H95368	2B9	18	50 - 3	JD10010	3H8	15	110 - 5
H83055	3F10	11	90 - 43	H95417	3H6	32	110 - 3	JD10011	3H8	21	110 - 5
H83285	1B9	10	20 - 5	H95417	3J6	16	110 - 53	JD10018	3I19	4	110 - 41
H83790	1J24	2	40 - 109	H95499	3H16	16	110 - 13	JD10020	3I7	2	110 - 29
H83791	1J24	3	40 - 109	H95547	2G9	5	60 - 49	JD10032	4G2	45	121 - 37
H83795	4I4	21	125 - 3	H95902	2E16	16	60 - 5	JD10058	1E2	1	24 - 49
H84026	3I11	4	110 - 33	H96149	5C16	7	130 - 37	JD10134	2C5	4	50 - 24
H84375	2G9	3	60 - 49	H96169	5C16	1	130 - 37	JD10135	2C5	5	50 - 24
H84375	2G10	2	60 - 50	H96226	4G10	14	121 - 45	JD10182	2B23	24	50 - 17
H84942	3I11	18	110 - 33	H96227	4G10	12	121 - 45	JD10214	4G2	30	121 - 37
H84948	3F2	16	90 - 35	H96228	5C20	3	130 - 41	JD10266	2C5	11	50 - 24
H84948	3H10	16	110 - 7	H96228	5C25	12	130 - 46	JD10285	4C8	10	120 - 27
H84990	4H20	2	121 - 79	H96232	4G10	13	121 - 45	JD10312	4H4	9	121 - 63
H85015	4J11	22	125 - 35	H96267	5C16	6	130 - 37	JD10342	4B13	7	120 - 7
H85184	3C18	13	80 - 37	H96294	5C16	14	130 - 37	JD10342	4B19	6	120 - 13
H85184	3D6	1	80 - 51	H96297	5C16	13	130 - 37	JD10342	4F24	6	121 - 35
H85184	3D8	6	80 - 53	H96298	5C16	13	130 - 37	JD10343	4B13	8	120 - 7
H85184	3D14	13	80 - 59	H96345	5C25	8	130 - 46	JD10343	4B19	7	120 - 13
H85184	4C19	7	120 - 38	H96391	3F10	7	90 - 43	JD10343	4F24	13	121 - 35
H85233	3D22	5	90 - 7	H96455	3G2	2	90 - 59	JD10387	4H20	4	121 - 79
H86108	1F4	4	30 - 11	H96645	5D8	17	130 - 55	JD10401	2C8	2	50 - 27
H86161	2F24	4	60 - 38	H96652	5C20	12	130 - 41	JD10462	2C25	8	50 - 47
H86760	4J16	10	125 - 40	H96652	5D4	7	130 - 51	JD39102	1B7	38	20 - 3
H86783	4E23	13	121 - 9	H96652	5D6	7	130 - 53	JD39102	4J25	6	125 - 51
H86783	4H6	3	121 - 65	H96690	3E6	8	90 - 15	JD39102	4J25	14	125 - 51
H86886	3F12	8	90 - 45	H96690	4D18	11	120 - 63	JD39102	5B8	5	130 - 3
H871R	1G8	1	40 - 19	H96690	5C20	4	130 - 41	JD39103	4J11	5	125 - 35
H871R	1G9	1	40 - 20	H96869	2G2	3	60 - 41	JD39103	4J22	15	125 - 47
H871R	3H8	4	110 - 5	H97306	4F20	38	121 - 31	JD39103	5B8	11	130 - 3
H871R	4G2	8	121 - 37	H97308	3H6	16	110 - 3	JD39103	5B16	4	130 - 11
H87206	4G16	28	121 - 51	H97322	3I9	12	110 - 31	JD39104	5D10	20	130 - 57
H87691	2B15	4	50 - 9	H97322	3I11	17	110 - 33	JD39104	5D12	9	130 - 59
H87691	2B16	6	50 - 10	H97378	3I19	5	110 - 41	JD39104	5D15	34	130 - 63
H88769	1B22	..	20 - 19	H97410	3H6	33	110 - 3	JD39109	4G16	53	121 - 51
H88769	3B14	7	80 - 9	H97410	3J6	15	110 - 53	JD5400	3C10	6	80 - 29
H88769	3B14	22	80 - 9	H97513	4G14	4	121 - 49	JD5400	5E8	5	170 - 7
H88773	3G11	6	90 - 69	H97574	4J11	19	125 - 35	JD5400	5E20	4	170 - 19
H88773	5B8	17	130 - 3	H98111	3E6	18	90 - 15	JD5400	5F6	2	170 - 29
H89241	2J18	3	70 - 79	H98111	3E6	19	90 - 15	JD5400	5G11	8	170 - 59
H89297	3H16	6	110 - 13	H98301	4E8	4	120 - 79	JD5592	5G11	5	170 - 59
H89515	4G22	12	121 - 57	H98655	3H16	27	110 - 13	JD5927	5E20	4	170 - 19
H89525	4G16	29	121 - 51	H987R	1G15	7	40 - 27	JD5927	5F6	2	170 - 29
H89544	3B10	13	80 - 5	H98765	5D15	2	130 - 63	JD5927	5G11	8	170 - 59
H89569	5C4	8	130 - 25	H99147	1B11	16	20 - 7	JD7126	5D10	11	130 - 57
H89617	3H8	6	110 - 5	H99147	4C6	6	120 - 25	JD7228	2C8	2	50 - 27
H91205	4C21	11	120 - 41	H99147	4C12	17	120 - 31	JD7278	2C8	1	50 - 27
H91228	4I4	8	125 - 3	H99147	4E23	23	121 - 9	JD7278	2C8	4	50 - 27
H91315	3E20	5	90 - 29	H99147	4G8	13	121 - 43	JD7292	4F14	11	121 - 25
H91788	1I10	15	40 - 71	H99147	4G14	15	121 - 49	JD7298	2C5	10	50 - 24
H91788	4G22	13	121 - 57	H99147	4H2	4	121 - 61	JD7378	4F14	10	121 - 25
H92308	2C2	21	50 - 21	H99147	4H6	17	121 - 65	JD7395	4E19	8	121 - 5
H93084	3I19	13	110 - 41	H99147	4J20	12	125 - 45	JD7395	4E21	8	121 - 7
H93399	1B11	26	20 - 7	H99147	5C2	13	130 - 23	JD7395	4F16	11	121 - 27
H93399	4G20	26	121 - 55	H99149	4B13	3	120 - 7	JD7418	4E19	9	121 - 5
H93630	4F20	23	121 - 31	H99149	4B19	3	120 - 13	JD7418	4E21	7	121 - 7
H93631	4F20	22	121 - 31	H99149	4F24	12	121 - 35	JD7418	4F16	10	121 - 27
H93645	4F24	3	121 - 35	H99264	2E16	17	60 - 5	JD7425	2C2	9	50 - 21
H93864	4C8	9	120 - 27	H99294	2F10	46	60 - 23	JD7441	4E19	6	121 - 5
H93927	3H12	17	110 - 9	H99294	3G9	46	90 - 67	JD7441	4E21	6	121 - 7
H93927	3J6	27	110 - 53	H99303	3I17	10	110 - 39	JD7441	4G2	29	121 - 37
H93927	4E25	4	121 - 11	H99613	5C25	2	130 - 46	JD7448	2C25	9	50 - 47
H94167	4C23	24	120 - 43	H99613	5C25	3	130 - 46	JD7502	2C2	3	50 - 21
H94386	4G6	13	121 - 41	H99897	1E20	2	30 - 3	JD7681	4C16	3	120 - 35
H94433	1H12	24	40 - 49	H99923	2F19	4	60 - 32	JD7681	5B25	13	130 - 21
H94950	2G2	17	60 - 41	H99923	3F6	20	90 - 39	JD7689	5B25	11	130 - 21
H94951	2G2	8	60 - 41	H99923	3G4	16	90 - 61	JD7759	2F24	6	60 - 38
H94951	2G2	19	60 - 41	H99923	4B13	18	120 - 7	JD7759	2F25	6	60 - 39

NUMERICAL INDEX - CONTINUED

PART NO.	GRID	KEY	PAGE	PART NO.	GRID	KEY	PAGE	PART NO.	GRID	KEY	PAGE
JD7759	2G2	18	60-41	JD8222	2C8	1	50-27	JD9442	4I4	13	125-3
JD7759	3I19	10	110-41	JD8223	2B25	19	50-19	JD9490	4C25	6	120-45
JD7759	4B19	10	120-13	JD8237	2B23	23	50-17	JD9849	2C25	2	50-47
JD7759	4C10	20	120-29	JD8237	2G2	13	60-41	J13683	4E23	7	121-9
JD7759	4F24	9	121-35	JD8237	2G2	19	60-41	J16931	1B7	21	20-3
JD7759	4G8	1	121-43	JD8239	4G2	3	121-37	J16931	1B11	21	20-7
JD7759	4G10	4	121-45	JD8255	4F16	2	121-27	J16931	2J6	13	70-67
JD7759	4G20	5	121-55	JD8257	2B23	5	50-17	J16931	4J22	5	125-47
JD7759	5B20	8	130-15	JD8258	2G2	11	60-41	J16931	5C16	36	130-37
JD7759	5C16	19	130-37	JD8258	2G2	19	60-41	J16931	5D15	40	130-63
JD7760	2C4	4	50-23	JD8267	2B25	5	50-19	J18468	5D8	23	130-55
JD7760	3J8	3	110-55	JD8524	5C16	8	130-37	J21022	4J11	15	125-35
JD7767	4C23	15	120-43	JD8551	3I11	27	110-33	J2375M	2I3	1	70-39
JD7788	1B11	20	20-7	JD8552	3I11	29	110-33	J2375M	2I5	3	70-41
JD7788	2G4	13	60-43	JD8554	4C21	17	120-41	K40001	2I3	25	70-39
JD7788	2G7	9	60-46	JD8554	4I4	7	125-3	K40001	2I5	21	70-41
JD7788	4B13	11	120-7	JD8554	5D8	13	130-55	K40003	5D8	10	130-55
JD7788	4B13	30	120-7	JD8563	4I4	14	125-3	L1730N	3H16	3	110-13
JD7788	4C10	22	120-29	JD8576	3J4	8	110-51	L24517	2H8	7	70-21
JD7788	4C25	2	120-45	JD8576	4H20	10	121-79	L29041	4F2	3	121-13
JD7788	4E25	22	121-11	JD8662	4E23	8	121-9	L29042	4F2	3	121-13
JD7788	4G10	6	121-45	JD8665	4C23	11	120-43	L29043	4F2	3	121-13
JD7788	4H4	18	121-63	JD8665	4I4	3	125-3	L29044	4F2	3	121-13
JD7797	2F19	3	60-32	JD8665	5D8	16	130-55	L3483N	4J5	22	125-29
JD7797	2G4	1	60-43	JD8668	4F20	16	121-31	L36230	2J8	14	70-69
JD7797	2G6	1	60-45	JD8669	4F20	14	121-31	L38138	1G6	5	40-17
JD7797	2G7	1	60-46	JD8676	4F6	34	121-17	L39871	2F21	15	60-34
JD7797	4E8	2	120-79	JD8819	3H8	41	110-5	L64995	5F20	4	170-43
JD7797	4F4	3	121-15	JD8902	2G2	14	60-41	L64995	5F24	4	170-47
JD7797	4F12	8	121-23	JD8952	2G2	10	60-41	L64995	5G4	3	170-51
JD7797	4F18	5	121-29	JD8960	4G2	4	121-37	L64995	5G6	3	170-53
JD7797	4G2	25	121-37	JD8972	4E19	7	121-5	L64995	5G8	23	170-55
JD7797	4G16	38	121-51	JD8972	4E21	5	121-7	L64995	5G11	1	170-59
JD7797	4J11	20	125-35	JD8979	2B25	6	50-19	L64995	5G11	11	170-59
JD7797	5C25	13	130-46	JD9007	4F8	12	121-19	M111701	1B7	20	20-3
JD7797	5D15	25	130-63	JD9007	4F10	4	121-21	M112271	5C16	35	130-37
JD7798	3H6	13	110-3	JD9043	2D4	5	50-51	M112639	4I16	15	125-15
JD7798	4F20	26	121-31	JD9075	4F10	12	121-21	M121T	1I12	5	40-73
JD7799	2D8	11	50-55	JD9076	2C13	9	50-33	M15973	4I4	29	125-3
JD7806	2G6	13	60-45	JD9078	4F16	1	121-27	M2353T	4G8	15	121-43
JD7806	5C20	2	130-41	JD9091	4F2	1	121-13	M40613	4I10	16	125-9
JD7839	4G8	10	121-43	JD9092	2C5	4	50-24	M41029	2B23	35	50-17
JD7842	3J8	12	110-55	JD9109	2D4	4	50-51	M41029	2J2	2	70-63
JD7844	4H20	5	121-79	JD9113	2C10	4	50-29	M41029	4J9	2	125-33
JD7845	4B13	9	120-7	JD9113	2C20	28	50-41	M43518	2C13	31	50-33
JD7845	4B19	8	120-13	JD9132	4F10	13	121-21	M43835	1G23	10	40-35
JD7845	4C8	18	120-27	JD9133	2C13	9	50-33	M43835	1G25	10	40-37
JD7845	4C10	17	120-29	JD9146	4F2	2	121-13	M43835	1J2	2	40-87
JD7845	4E8	10	120-79	JD9147	2C5	5	50-24	M45123	4G4	3	121-39
JD7845	4F24	11	121-35	JD9201	3H12	15	110-9	M47566	4C2	10	120-21
JD7845	4K6	1	125-57	JD9201	3J6	26	110-53	M48000	2C13	2	50-33
JD7845	4K8	3	125-59	JD9201	4C10	13	120-29	M48000	2C18	15	50-39
JD7846	4G16	5	121-51	JD9201	4E25	3	121-11	M48869	2I25	23	70-61
JD7846	4G20	15	121-55	JD9202	3H12	19	110-9	M48869	2J2	4	70-63
JD7847	2C25	14	50-47	JD9202	3J6	28	110-53	M48869	4J9	4	125-33
JD7847	2D8	11	50-55	JD9219	5B22	5	130-17	M61266	1G11	8	40-23
JD8147	2C2	8	50-21	JD9219	5B23	5	130-18	M63707	2D12	13	50-59
JD8162	4F2	14	121-13	JD9273	4C23	4	120-43	M63707	2J19	13	70-80
JD8162	4F6	3	121-17	JD9276	4E25	5	121-11	M63707	4F22	9	121-33
JD8162	4F8	5	121-19	JD9301	3J4	4	110-51	M63707	4G2	17	121-37
JD8164	4F14	7	121-25	JD9313	4J11	11	125-35	M66044	1I2	21	40-63
JD8182	2B25	18	50-19	JD9313	4J16	6	125-40	M68701	1G15	5	40-27
JD8206	4F2	15	121-13	JD9356	3J4	7	110-51	M68701	3C21	10	80-41
JD8206	4F6	2	121-17	JD9373	3I7	7	110-29	M68701	3C23	14	80-43
JD8206	4F8	6	121-19	JD9373	5D8	4	130-55	M71184	1G6	7	40-17
JD8206	4F10	2	121-21	JD9434	4C10	15	120-29	M71184	1G6	8	40-17
JD8210	4F14	6	121-25	JD9434	4E8	7	120-79	M71442	1G6	5	40-17

NUMERICAL INDEX - CONTINUED

PART NO.	GRID	KEY	PAGE	PART NO.	GRID	KEY	PAGE	PART NO.	GRID	KEY	PAGE
M71442	1G6	7	40-17	N130510	2C22	8	50-43	P46402	5C2	11	130-23
M71442	1G6	8	40-17	N139123	4F16	13	121-27	P46770	4F2	4	121-13
M71770	2I23	18	70-59	N14822	2D22	19	50-69	P46874	3J2	5	110-49
M72490	1D23	15	24-45	N15764	5B22	4	130-17	P46874	3J4	5	110-51
M72598	3C18	2	80-37	N15764	5B23	4	130-18	P46874	5B25	10	130-21
M72598	3D6	7	80-51	N165696	4C6	17	120-25	P47140	2E14	23	60-3
M72598	3H18	16	110-15	N165696	4G18	14	121-53	P47159	3B10	17	80-5
M72598	3H24	6	110-21	N165696	4H6	3	121-65	P48347	2C15	17	50-35
M72598	4D16	9	120-61	N183269	4H6	13	121-65	P48347	2I1	4	70-37
M72598	4I20	3	125-19	N189220	5D8	21	130-55	P48691	4F20	28	121-31
M73000	3H12	11	110-9	N191174	2C10	24	50-29	P48925	3F12	2	90-45
M73000	3J6	22	110-53	N191174	2C20	42	50-41	P49604	5E5	9	170-4
M78494	1F10	3	30-17	N196034	2C10	21	50-29	P50456	3H6	23	110-3
M80082	1G8	1	40-19	N196034	2C20	40	50-41	P50456	3J6	7	110-53
M80082	1G9	1	40-20	N197422	2C2	13	50-21	P5403H	4B19	15	120-13
M80082	4J15	38	125-39	N199920	2B19	2	50-13	P5403H	4B23	..	120-17
M84309	4D24	14	120-69	N205021	2I1	5	70-37	RE10258	1D25	4	24-47
M84309	5C6	25	130-27	N205022	2I1	10	70-37	RE11156	1J4	36	40-89
M84309	5C6	29	130-27	N209312	2I1	5	70-37	RE11157	1J4	37	40-89
M84309	5C8	6	130-29	N232713	2I3	24	70-39	RE11157	1J20	15	40-105
M84309	5D18	2	130-67	N232713	2I5	20	70-41	RE12049	3F6	1	90-39
M84972	5C4	6	130-25	N276474	2C4	9	50-23	RE12180	1H16	8	40-53
M86436	1G23	1	40-35	N276475	2C4	9	50-23	RE12325	2G4	14	60-43
M93425	3D14	4	80-59	N276699	2B14	6	50-8	RE12325	2G6	14	60-45
M93425	3H18	26	110-15	N282070	1G21	11	40-33	RE12325	2G7	10	60-46
M93425	3H20	29	110-17	N282070	1G21	20	40-33	RE12326	2G4	5	60-43
M95728	5E5	9	170-4	N282070	1G25	1	40-37	RE12326	2G6	5	60-45
N102039	1D13	..	24-35	N282070	1G25	3	40-37	RE12326	2G7	5	60-46
N102039	2B17	9	50-11	N282070	1H4	17	40-41	RE12330	1E6	14	24-53
N10213	1G13	9	40-25	N31772	2D12	8	50-59	RE12330	1I24	14	40-85
N10215	3F6	6	90-39	N31772	2J19	8	70-80	RE12331	1E6	12	24-53
N10215	3G4	11	90-61	N34986	2J2	12	70-63	RE12331	1I24	12	40-85
N10217	2F4	13	60-17	N52258	4C25	7	120-45	RE12332	1E6	18	24-53
N10217	2F14	8	60-27	N61654	4G6	3	121-41	RE12332	1I24	18	40-85
N10217	2G17	4	70-5	N61654	4H2	13	121-61	RE12332	1J12	12	40-97
N10217	2H8	16	70-21	N61709	4E6	21	120-77	RE12333	1E6	21	24-53
N10217	2H12	10	70-25	N61709	5C8	33	130-29	RE12333	1I24	21	40-85
N10217	2H14	6	70-27	N71921	5C16	4	130-37	RE12334	1E6	8	24-53
N10217	2H16	15	70-29	N71922	3H8	20	110-5	RE12334	1I24	8	40-85
N109389	5B8	12	130-3	N72306	4E8	17	120-79	RE12362	1E6	4	24-53
N110085	4J11	29	125-35	N72989	5C25	11	130-46	RE12362	1F16	11	40-3
N110085	4J20	7	125-45	N72989	5D8	1	130-55	RE12362	1H24	22	40-61
N110085	5E4	8	170-3	N85298	2G25	19	70-13	RE12362	1I24	4	40-85
N115096	1J2	11	40-87	PF10026	5C4	16	130-25	RE12362	1J12	7	40-97
N121116	4C14	1	120-33	PF80021	5B14	10	130-9	RE12363	1E6	11	24-53
N126584	2C13	18	50-33	PF80105	5B14	10	130-9	RE12363	1F16	12	40-3
N126585	2C10	6	50-29	PF80112	5B12	12	130-7	RE12363	1G2	2	40-13
N126586	2C18	13	50-39	PF80113	5B12	13	130-7	RE12363	1G6	11	40-17
N126599	2C13	7	50-33	PM797NA	1J4	57	40-89	RE12363	1G19	25	40-31
N126599	2C14	4	50-34	PM797NA	1J6	40	40-91	RE12363	1G21	25	40-33
N126600	2C13	10	50-33	PT2314	1G19	4	40-31	RE12363	1G23	11	40-35
N126600	2C14	1	50-34	PT2314	1G21	4	40-33	RE12363	1G25	11	40-37
N126601	2C15	7	50-35	P43969	2B23	25	50-17	RE12363	1H2	14	40-39
N126601	2C16	7	50-36	P44439	4I4	2	125-3	RE12363	1H2	16	40-39
N126602	2C13	27	50-33	P44478	5D15	39	130-63	RE12363	1H4	14	40-41
N126603	2C13	1	50-33	P45458	3G17	7	90-75	RE12363	1H4	16	40-41
N126609	2C13	6	50-33	P45750	2H8	7	70-21	RE12363	1H6	4	40-43
N126609	2C14	2	50-34	P45750	2J9	2	70-70	RE12363	1H6	13	40-43
N126612	2C10	22	50-29	P46402	4C6	8	120-25	RE12363	1H8	7	40-45
N126612	2C20	37	50-41	P46402	4E23	20	121-9	RE12363	1H8	20	40-45
N126638	2C15	2	50-35	P46402	4G6	8	121-41	RE12363	1H10	16	40-47
N126638	2C16	2	50-36	P46402	4G14	12	121-49	RE12363	1H22	1	40-59
N126641	2C18	10	50-39	P46402	4G18	19	121-53	RE12363	1H24	23	40-61
N126644	2C11	11	50-30	P46402	4H2	1	121-61	RE12363	1I2	23	40-63
N126654	2C22	4	50-43	P46402	4H6	25	121-65	RE12363	1I2	24	40-63
N12679	2E22	26	60-11	P46402	4I6	7	125-5	RE12363	1I8	4	40-69
N128541	2C22	5	50-43	P46402	4J20	9	125-45	RE12363	1I24	11	40-85

NUMERICAL INDEX - CONTINUED

PART NO.	GRID	KEY	PAGE	PART NO.	GRID	KEY	PAGE	PART NO.	GRID	KEY	PAGE
RE12363	1J10	5	40-95	RE48310	1H18	18	40-55	RE57175	1C16	2	24-13
RE12363	1J12	1	40-97	RE48321	1F4	11	30-11	RE57177	1C16	2	24-13
RE12363	2G15	13	70-3	RE49243	2C25	1	50-47	RE57177	1E17	5	24-64
RE12363	2J18	15	70-79	RE49243	2C25	6	50-47	RE57178	1C16	2	24-13
RE12364	1E6	16	24-53	RE500216	1D15	1	24-37	RE57186	1E8	19	24-55
RE12364	1I24	16	40-85	RE500280	1E4	2	24-51	RE57187	1E8	38	24-55
RE12364	1J12	13	40-97	RE500318	1D9	11	24-31	RE57188	1C13	8	24-10
RE12365	1E6	20	24-53	RE500510	1D23	1	24-45	RE57190	1D11	1	24-33
RE12365	1I24	20	40-85	RE500934	1E10	8	24-57	RE57394	1C8	..	24-4
RE12365	1J12	9	40-97	RE500934	1E10	9	24-57	RE57394	1D7	9	24-29
RE12366	1E6	25	24-53	RE501262	1D23	31	24-45	RE57399	1D7	9	24-29
RE12366	1H24	6	40-61	RE501772	1D23	1	24-45	RE57561	1D7	1	24-29
RE12366	1I24	25	40-85	RE502083	1D23	1	24-45	RE57561	1D17	10	24-39
RE12366	1J12	11	40-97	RE502154	1D11	10	24-33	RE57603	1E10	3	24-57
RE12366	1J16	1	40-101	RE502404	1D23	1	24-45	RE57604	1E10	7	24-57
RE13541	3F6	24	90-39	RE502510	1C18	4	24-15	RE57733	1C18	4	24-15
RE155577	1E13	6	24-60	RE502893	1D23	1	24-45	RE57750	1C22	18	24-19
RE15807	1D21	26	24-43	RE503312	1D23	1	24-45	RE57836	1D13	10	24-35
RE15808	1D21	27	24-43	RE504122	1B18	2	20-15	RE58780	1C15	9	24-12
RE21790	1D19	4	24-41	RE504122	1B18	3	20-15	RE58781	1E17	9	24-64
RE21790	1F4	5	30-11	RE504122	1B18	7	20-15	RE60546	1D1	2	24-23
RE22642	2C25	16	50-47	RE504139	1E4	2	24-51	RE60577	1D23	21	24-45
RE22764	1C8	..	24-4	RE504635	1D23	31	24-45	RE60622	1C8	..	24-4
RE22764	1C17	5	24-14	RE51052	3G18	2	90-76	RE60622	1D3	15	24-25
RE24045	1C23	11	24-20	RE52454	3G18	1	90-76	RE61253	1C15	4	24-12
RE24046	1C23	13	24-20	RE52506	3G20	1	90-79	RE61253	1C16	1	24-13
RE24307	1H16	6	40-53	RE52507	3G21	1	90-80	RE61267	1C15	9	24-12
RE24307	3G17	5	90-75	RE52508	3G20	3	90-79	RE61268	1E17	9	24-64
RE27837	2D6	5	50-53	RE52509	3G22	1	90-81	RE61658	1D23	10	24-45
RE28217	1D23	23	24-45	RE52510	3G20	2	90-79	RE61693	1E4	13	24-51
RE29583	1H16	17	40-53	RE52553	3F16	4	90-49	RE61851	1C16	1	24-13
RE30833	1D23	5	24-45	RE52555	3F22	1	90-55	RE61851	1E17	4	24-64
RE30920	1D23	3	24-45	RE52702	1B15	6	20-11	RE62776	1E8	3	24-55
RE31701	2C25	6	50-47	RE53154	1C13	6	24-10	RE62777	1E8	4	24-55
RE32824	2C25	10	50-47	RE54244	1E4	10	24-51	RE62791	1C12	1	24-9
RE32856	1D9	12	24-31	RE54245	1E4	12	24-51	RE62791	1C13	10	24-10
RE33336	2C23	1	50-44	RE55277	1F18	..	40-5	RE63439	1D9	2	24-31
RE33337	2C23	1	50-44	RE55277	1G17	20	40-29	RE63439	1D9	15	24-31
RE33338	2C23	1	50-44	RE55278	1F18	..	40-5	RE63832	3F22	2	90-55
RE33339	2C23	1	50-44	RE55278	1G17	20	40-29	RE63932	1F2	6	30-9
RE33636	1F4	8	30-11	RE55475	1C8	..	24-4	RE64134	1D17	12	24-39
RE34128	1D25	4	24-47	RE55475	1C22	19	24-19	RE64767	1D17	2	24-39
RE35161	3E2	1	90-11	RE55475	1E8	11	24-55	RE64907	1C12	1	24-9
RE35684	1D23	8	24-45	RE55522	1C14	5	24-11	RE65050	1C10	1	24-7
RE36151	1D24	4	24-46	RE55522	1E10	1	24-57	RE65265	1D25	1	24-47
RE36421	1D21	28	24-43	RE56165	4B25	9	120-19	RE65347	1H8	22	40-45
RE37651	1J20	16	40-105	RE56165	4C4	9	120-23	RE65407	1C10	1	24-7
RE38503	1E13	6	24-60	RE57054	1C20	3	24-17	RE65407	1C12	1	24-9
RE39131	2D2	6	50-49	RE57146	1D21	7	24-43	RE65407	1C13	10	24-10
RE39134	1D11	11	24-33	RE57147	1D21	6	24-43	RE65693	3F18	1	90-51
RE40048	1F6	4	30-13	RE57148	1D21	4	24-43	RE65694	3F18	3	90-51
RE42068	1G21	6	40-33	RE57149	1D21	3	24-43	RE65695	3F16	3	90-49
RE42068	1G21	9	40-33	RE57150	1D21	2	24-43	RE65787	1E4	5	24-51
RE42068	1G21	10	40-33	RE57151	1D21	1	24-43	RE66000	1D23	31	24-45
RE42068	1G21	20	40-33	RE57152	1D21	17	24-43	RE66351	1D17	2	24-39
RE42068	1G25	2	40-37	RE57152	1E1	5	24-48	RE66614	1D23	1	24-45
RE42068	1G25	3	40-37	RE57152	1E1	13	24-48	RE67013	1J18	5	40-103
RE42068	1G25	20A	40-37	RE57153	1E1	10	24-48	RE67014	1J18	8	40-103
RE42068	1H4	15	40-41	RE57154	1D11	12	24-33	RE67015	1J18	6	40-103
RE42068	1H4	17	40-41	RE57167	1C13	7	24-10	RE67934	1D23	33	24-45
RE46375	1D23	17	24-45	RE57167	1C15	7	24-12	RE68401	2C25	16	50-47
RE46375	1D25	6	24-47	RE57170	1C15	3	24-12	RE68495	1J18	1	40-103
RE46609	3G17	10	90-75	RE57170	1C16	3	24-13	RE68714	1E13	6	24-60
RE46609	3G18	..	90-76	RE57172	1C16	3	24-13	RE68715	1E16	4	24-63
RE47120	1D21	12	24-43	RE57172	1E17	3	24-64	RE68722	1E16	2	24-63
RE48284	3G11	34	90-69	RE57173	1C16	3	24-13	RE68767	1D17	5	24-39
RE48310	1F4	11	30-11	RE57175	1C15	5	24-12	RE68767	1D18	8	24-40

NUMERICAL INDEX - CONTINUED

PART NO.	GRID	KEY	PAGE	PART NO.	GRID	KEY	PAGE	PART NO.	GRID	KEY	PAGE
RE68844	1D17	9	24-39	R113050	3G15	3	90-73	R121350	1C16	2	24-13
RE69581	1D13	16	24-35	R113050	3G17	1	90-75	R121350	1E17	5	24-64
RE69704	1E12	7	24-59	R113050	3G19	2	90-77	R121351	1C16	2	24-13
RE69844	1D11	8	24-33	R114130	1C7	2	24-3	R121354	1C16	2	24-13
RE70486	1E12	12	24-59	R114130	1D23	14	24-45	R121354	1E17	5	24-64
RE70487	1E12	10	24-59	R114130	1E12	14	24-59	R121355	1C16	2	24-13
RE70756	1E12	6	24-59	R114160	1D13	4	24-35	R121489	1C22	21	24-19
RE70957	1E12	7	24-59	R114837	1E16	3	24-63	R121490	1C22	7	24-19
RE71121	1E14	2	24-61	R115129	1C19	3	24-16	R121491	1C22	6	24-19
RG24026	1C22	..	24-19	R115471	1C10	1	24-7	R121765	1C7	3	24-3
RV702A	2E14	25	60-3	R115742	3G18	..	90-76	R121765	1C10	1	24-7
RV810A	4J15	14	125-39	R115743	3G20	4	90-79	R121765	1D15	2	24-37
RV810A	5B10	3	130-5	R116081	1C13	7	24-10	R122364	1C7	20	24-3
R100569	1D1	1	24-23	R116081	1E17	7	24-64	R122419	1C22	18	24-19
R100569	1D3	10	24-25	R116082	1C16	3	24-13	R122430	1D11	10	24-33
R100569	1E8	31	24-55	R116083	1C16	3	24-13	R122595	1D18	2	24-40
R100727	2D4	7	50-51	R116084	1C15	4	24-12	R122618	1D17	14	24-39
R100747	1D17	18	24-39	R116084	1C16	2	24-13	R122653	1C15	9	24-12
R100911	1E8	2	24-55	R116085	1C15	4	24-12	R122654	1E17	9	24-64
R10093	3G15	5	90-73	R116085	1C15	5	24-12	R124030	1E8	..	24-55
R10093	3G17	3	90-75	R116085	1C16	2	24-13	R124186	1D7	13	24-29
R102882	1C22	5	24-19	R116233	1D4	2	24-26	R124211	1D13	6	24-35
R104534	1C22	3	24-19	R116311	1C14	4	24-11	R124211	1E8	8	24-55
R104587	1C14	3	24-11	R116311	1C15	8	24-12	R124328	1D3	15	24-25
R104587	1C15	2	24-12	R116311	1E10	2	24-57	R124381	1C16	1	24-13
R104587	1E17	2	24-64	R116311	1E17	8	24-64	R124578	3G15	17	90-73
R104589	1C20	6	24-17	R116340	1C13	6	24-10	R124607	1D13	15	24-35
R104592	1C7	12	24-3	R116718	1D3	12	24-25	R124607	1E8	7	24-55
R104592	1D7	20	24-29	R116718	1D4	6	24-26	R124842	1C16	1	24-13
R104592	1D14	1	24-36	R117060	1E8	37	24-55	R124842	1E17	4	24-64
R104595	1G15	6	40-27	R117073	1D7	6	24-29	R124963	1E13	3	24-60
R104595	1G15	18	40-27	R119132	1C22	12	24-19	R125025	1D13	12	24-35
R104621	1D7	18	24-29	R119223	1E4	11	24-51	R125027	1C17	3	24-14
R104628	1D1	3	24-23	R119381	1C19	4	24-16	R125183	1C18	4	24-15
R104628	1D3	14	24-25	R119382	1D11	2	24-33	R126337	1D4	5	24-26
R104656	1C19	9	24-16	R119383	1D11	4	24-33	R126621	1D9	2	24-31
R104656	1C20	5	24-17	R119383	1E8	20	24-55	R127181	1E1	11	24-48
R104846	1G21	10	40-33	R119384	1C8	..	24-4	R127297	1D5	11	24-27
R104859	1C19	5	24-16	R119384	1C19	2	24-16	R127395	1D9	2	24-31
R105346	1D17	11	24-39	R119384	1E8	22	24-55	R127873	1D9	2	24-31
R105346	1E8	14	24-55	R119795	1D11	12	24-33	R127873	1D9	16	24-31
R105581	3F6	13	90-39	R119847	1D7	12	24-29	R128694	1D7	2	24-29
R107734	1I5	11	40-66	R119847	1E8	28	24-55	R128893	1E13	5	24-60
R108404	1H24	11	40-61	R120030	1C14	5	24-11	R129820	1D7	10	24-29
R108699	1E1	7	24-48	R120187	1D17	13	24-39	R129821	1D7	16	24-29
R108700	1E1	8	24-48	R120646	1E8	13	24-55	R130573	1D14	4	24-36
R108701	1E1	9	24-48	R120752	1C14	2	24-11	R131002	1E16	12	24-63
R108867	1D5	5	24-27	R120752	1C15	1	24-12	R131003	1E16	10	24-63
R108867	1D7	3	24-29	R120752	1E17	1	24-64	R131890	1E16	16	24-63
R109625	1D4	1	24-26	R120872	1C20	3	24-17	R131949	1E2	2	24-49
R109625	1E8	32	24-55	R120953	1C7	21	24-3	R132290	1D14	2	24-36
R110126	1C20	2	24-17	R120954	1C7	21	24-3	R132396	1D5	17	24-27
R110126	1C23	15	24-20	R120956	3G17	..	90-75	R133617	1F20	17	40-7
R11086	1C19	6	24-16	R121163	1D5	8	24-27	R133617	3E22	17	90-31
R11086	1D11	3	24-33	R121164	1D23	11	24-45	R133998	1D13	14	24-35
R111156	2H4	5	70-17	R121193	1C22	13	24-19	R133999	1D13	13	24-35
R111692	4B25	3	120-19	R121195	1D23	13	24-45	R134010	1E16	14	24-63
R111692	4C4	3	120-23	R121316	1D11	9	24-33	R134602	1D5	4	24-27
R111995	2C25	1	50-47	R121320	1C22	8	24-19	R135031	1E10	6	24-57
R111995	2C25	6	50-47	R121338	1C13	7	24-10	R135031	1E10	8	24-57
R112053	1C20	7	24-17	R121338	1C15	7	24-12	R135423	1E16	11	24-63
R112268	1E16	17	24-63	R121342	1C16	3	24-13	R135509	1E12	11	24-59
R112679	4B25	5	120-19	R121342	1E17	3	24-64	R135510	1E12	9	24-59
R112679	4C4	5	120-23	R121343	1C16	3	24-13	R135728	1E13	1	24-60
R112857	2C10	26	50-29	R121346	1C16	3	24-13	R136083	1C23	3	24-20
R112857	2C20	38	50-41	R121346	1E17	3	24-64	R136320	1C22	3	24-19
R112975	1D23	13	24-45	R121347	1C16	3	24-13	R15036	1I6	14	40-67

NUMERICAL INDEX - CONTINUED

PART NO.	GRID	KEY	PAGE	PART NO.	GRID	KEY	PAGE	PART NO.	GRID	KEY	PAGE
R1612R	1C7	10	24 - 3	R26448	2I13	4	70 - 49	R28776	2J18	4	70 - 79
R1818R	2B19	4	50 - 13	R26448	2I13	6	70 - 49	R28776	5D23	1	160 - 3
R1964R	4G20	22	121 - 55	R26448	2I15	27	70 - 51	R28782	1H18	21	40 - 55
R20135	4G8	3	121 - 43	R26448	2I21	3	70 - 57	R28782	2C13	36	50 - 33
R20136	3H6	27	110 - 3	R26448	2I23	3	70 - 59	R28782	2C22	10	50 - 43
R20136	3J6	11	110 - 53	R26448	2I25	20	70 - 61	R28782	2D4	10	50 - 51
R21612	2E20	27	60 - 9	R26448	2J4	7	70 - 65	R28782	2D11	9	50 - 58
R26058	1C17	4	24 - 14	R26448	2J6	14	70 - 67	R28782	2D24	17	50 - 71
R26058	1E8	33	24 - 55	R26448	2J10	9	70 - 71	R28782	2G22	9	70 - 10
R26079	1C23	8	24 - 20	R26448	2J16	9	70 - 77	R28782	2I15	20	70 - 51
R26081	1C23	2	24 - 20	R26448	2J18	10	70 - 79	R28782	2I17	19	70 - 53
R26192	2F8	28	60 - 21	R26448	2J24	2	70 - 85	R28782	2J10	6	70 - 71
R26192	2F8	30	60 - 21	R26448	3H8	39	110 - 5	R28782	2J10	12	70 - 71
R26192	3G7	28	90 - 65	R26448	4I24	17	125 - 23	R28782	2J18	14	70 - 79
R26192	3G7	30	90 - 65	R26448	5D22	8	160 - 2	R28782	2J24	10	70 - 85
R26207	2B17	6	50 - 11	R26501	2F10	30	60 - 23	R28811	1C18	3	24 - 15
R26265	2B25	7	50 - 19	R26501	3G9	30	90 - 67	R29936	2D22	14	50 - 69
R26333	1E10	4	24 - 57	R26524	2F10	32	60 - 23	R29936	2D24	35	50 - 71
R26375	1H18	22	40 - 55	R26524	3G9	32	90 - 67	R29936	2E4	9	50 - 75
R26375	2B19	10	50 - 13	R26559	1C23	4	24 - 20	R29936	2F6	12	60 - 19
R26375	2D8	12	50 - 55	R26650	2C25	15	50 - 47	R29936	2H10	2	70 - 23
R26375	2D24	28	50 - 71	R26650	2D2	5	50 - 49	R29936	2I7	15	70 - 43
R26375	2E2	1	50 - 73	R26748	1C23	12	24 - 20	R29936	2I11	15	70 - 47
R26375	2F4	1	60 - 17	R26871	4B25	4	120 - 19	R29936	2I11	24	70 - 47
R26375	2F6	5	60 - 19	R26871	4C4	4	120 - 23	R29936	4J3	5	125 - 27
R26375	2G22	1	70 - 10	R26906	2C11	2	50 - 30	R29936	4J5	13	125 - 29
R26375	2G23	2	70 - 11	R26906	2C22	2	50 - 43	R30378	1J4	43	40 - 89
R26375	2G25	4	70 - 13	R26906	2G17	13	70 - 5	R30399	2G2	15	60 - 41
R26375	2H2	9	70 - 15	R26906	2G25	9	70 - 13	R30815	2G23	6	70 - 11
R26375	2H4	3	70 - 17	R26906	2H2	11	70 - 15	R30903	2C11	6	50 - 30
R26375	2H6	12	70 - 19	R26906	2H6	8	70 - 19	R30903	2I17	14	70 - 53
R26375	2H6	19	70 - 19	R26906	2H10	5	70 - 23	R31250	1I2	13	40 - 63
R26375	2H8	5	70 - 21	R26906	2H22	14	70 - 35	R31378	3I19	2	110 - 41
R26375	2H12	33	70 - 25	R26906	2I7	1	70 - 43	R31674	2D11	4	50 - 58
R26375	2H16	3	70 - 29	R26906	2I11	14	70 - 47	R31890	3F6	15	90 - 39
R26375	2H18	1	70 - 31	R26906	2I18	17	70 - 54	R32011	1J6	8	40 - 91
R26375	2H20	11	70 - 33	R26906	2I19	16	70 - 55	R32016	1J6	10	40 - 91
R26375	2I1	9	70 - 37	R26906	2J16	2	70 - 77	R32017	1J6	11	40 - 91
R26375	2I3	19	70 - 39	R26906	2J18	17	70 - 79	R32018	1J6	12	40 - 91
R26375	2I5	8	70 - 41	R26906	3H8	33	110 - 5	R32019	1J6	13	40 - 91
R26375	2I7	18	70 - 43	R26906	4F4	8	121 - 15	R32021	1J6	14	40 - 91
R26375	2I11	1	70 - 47	R26906	4J5	11	125 - 29	R32022	1J6	15	40 - 91
R26375	2J4	9	70 - 65	R26906	4J7	10	125 - 31	R32023	1J6	16	40 - 91
R26375	2J18	2	70 - 79	R26906	5D23	14	160 - 3	R32024	1J7	3	40 - 92
R26375	2J24	7	70 - 85	R27149	1C7	16	24 - 3	R32025	1J7	4	40 - 92
R26375	3H8	30	110 - 5	R27166	2C18	9	50 - 39	R32026	1J4	48	40 - 89
R26375	4F14	20	121 - 25	R27175	2C20	31	50 - 41	R32026	1J6	17	40 - 91
R26375	4J7	14	125 - 31	R27175	2C22	1	50 - 43	R32027	1J6	18	40 - 91
R26375	5B25	15	130 - 21	R27218	2C15	21	50 - 35	R32027	1J8	1	40 - 93
R26375	5D22	4	160 - 2	R27218	2C16	21	50 - 36	R32028	1J6	19	40 - 91
R26448	1D25	3	24 - 47	R27218	2C18	20	50 - 39	R32176	1I16	11	40 - 77
R26448	1E24	9	30 - 7	R27218	2D11	8	50 - 58	R32176	1I16	19B	40 - 77
R26448	2C15	20	50 - 35	R27218	2J18	13	70 - 79	R32176	1I20	8	40 - 81
R26448	2C16	20	50 - 36	R27218	2J24	6	70 - 85	R32214	2C25	13	50 - 47
R26448	2C18	19	50 - 39	R27218	3H8	37	110 - 5	R32214	2D10	4	50 - 57
R26448	2C20	21	50 - 41	R27441	3G4	18	90 - 61	R32239	2G15	12	70 - 3
R26448	2D11	7	50 - 58	R27443	1C23	9	24 - 20	R32555	1K2	5	40 - 112
R26448	2D24	10	50 - 71	R27474	1D9	14	24 - 31	R33058	3H8	8	110 - 5
R26448	2D24	27	50 - 71	R27474	4F4	9	121 - 15	R33079	3H8	3	110 - 5
R26448	2E10	1	50 - 81	R27564	2I18	14	70 - 54	R33088	3H8	5	110 - 5
R26448	2F6	14	60 - 19	R27564	4F20	42	121 - 31	R33138	2B19	11	50 - 13
R26448	2F12	1	60 - 25	R27796	2C2	7	50 - 21	R33138	2J18	1	70 - 79
R26448	2G19	17	70 - 7	R27928	2H22	6	70 - 35	R33259	3G15	2	90 - 73
R26448	2H6	19	70 - 19	R27928	5D23	6	160 - 3	R33259	3G19	3	90 - 77
R26448	2H12	27	70 - 25	R28583	1D19	2	24 - 41	R33521	2J18	33	70 - 79
R26448	2H14	19	70 - 27	R28583	1F4	7	30 - 11	R34337	1G13	14	40 - 25
R26448	2H18	23	70 - 31	R28776	2H22	1	70 - 35	R34404	2C15	17	50 - 35

NUMERICAL INDEX - CONTINUED

PART NO.	GRID	KEY	PAGE	PART NO.	GRID	KEY	PAGE	PART NO.	GRID	KEY	PAGE
R34404	2C16	17	50 - 36	R47693	1B18	5	20 - 15	R55408	1B7	32	20 - 3
R34404	4B25	7	120 - 19	R47998	2F8	37	60 - 21	R56722	4G16	27	121 - 51
R34404	4C4	7	120 - 23	R47998	3G7	37	90 - 65	R56782	2J18	6	70 - 79
R35352	2C4	6	50 - 23	R48693	1D23	7	24 - 45	R56930	2J8	19	70 - 69
R35542	5D10	3	130 - 57	R48887	1J2	17	40 - 87	R56930	2J10	5	70 - 71
R35794	2F6	16	60 - 19	R49377	1D9	1	24 - 31	R57269	2C25	7	50 - 47
R36119	1B7	17	20 - 3	R49377	1E8	30	24 - 55	R57696	1D3	5	24 - 25
R36599	1C7	5	24 - 3	R495R	2B23	17	50 - 17	R57725	1B16	1	20 - 12
R38131	4G2	36	121 - 37	R495R	3H24	3	110 - 21	R57771	1C13	2	24 - 10
R39081	3H8	16	110 - 5	R49866	1C24	7	24 - 21	R58186	1D21	5	24 - 43
R39112	2D8	13	50 - 55	R49866	1E8	6	24 - 55	R58186	1D21	10	24 - 43
R39112	2J24	8	70 - 85	R500055	1D5	5	24 - 27	R58806	3E19	3	90 - 28
R39112	3H8	40	110 - 5	R500055	1D7	3	24 - 29	R58816	3G4	6	90 - 61
R394R	2B23	7	50 - 17	R500197	1D13	9	24 - 35	R59009	3F6	11	90 - 39
R39554	2F8	3	60 - 21	R500330	1D7	14	24 - 29	R59011	3F6	16	90 - 39
R39554	2F8	8	60 - 21	R500355	1D9	2	24 - 31	R59012	3F6	12	90 - 39
R39554	3G7	3	90 - 65	R500355	1D9	15	24 - 31	R59013	3G4	14	90 - 61
R39554	3G7	8	90 - 65	R500355	1D9	16	24 - 31	R59015	3F6	5	90 - 39
R39741	1C7	6	24 - 3	R500355	1D9	17	24 - 31	R59015	3G4	12	90 - 61
R39876	2D4	2	50 - 51	R500413	1E16	6	24 - 63	R59018	3F6	14	90 - 39
R40236	1D4	4	24 - 26	R500642	1C7	15	24 - 3	R59019	3F6	2	90 - 39
R40915	4B25	6	120 - 19	R501414	1C18	4	24 - 15	R59020	3G4	10	90 - 61
R40915	4C4	6	120 - 23	R50390	1E8	21	24 - 55	R59021	3G4	7	90 - 61
R41076	4B25	2	120 - 19	R50390	1E16	15	24 - 63	R59022	3G4	13	90 - 61
R41076	4C4	2	120 - 23	R50405	1E8	18	24 - 55	R59023	3G4	8	90 - 61
R41934	1C14	1	24 - 11	R50424	1D5	12	24 - 27	R59028	3G4	2	90 - 61
R41934	1C15	6	24 - 12	R50424	1E8	35	24 - 55	R59029	3G4	4	90 - 61
R41934	1E17	6	24 - 64	R50456	3D20	10	90 - 5	R59070	3G4	1	90 - 61
R42009	2E24	6	60 - 13	R50456	3G24	19	90 - 83	R59297	1D21	8	24 - 43
R42340	1C7	9	24 - 3	R50642	5C6	19	130 - 27	R59297	1D21	11	24 - 43
R42729	1B16	2	20 - 12	R50770	4G12	12	121 - 47	R59298	1D21	8	24 - 43
R42926	2D12	1	50 - 59	R51031	2C13	33	50 - 33	R59298	1D21	9	24 - 43
R42926	2J19	1	70 - 80	R51031	2C22	17	50 - 43	R59298	1D21	11	24 - 43
R43305	4F2	6	121 - 13	R51031	2D4	11	50 - 51	R59305	1D21	5	24 - 43
R43383	4D12	16	120 - 57	R51031	2D11	10	50 - 58	R59305	1D21	10	24 - 43
R43383	4D18	20	120 - 63	R51053	1D5	10	24 - 27	R60172	3G15	16	90 - 73
R43409	1C7	1	24 - 3	R51936	1D21	25	24 - 43	R60239	2D8	4	50 - 55
R43621	1C7	13	24 - 3	R51936	1D23	2	24 - 45	R60277	1E1	1	24 - 48
R43660	1D7	9A	24 - 29	R51936	1D23	30	24 - 45	R60278	1E1	4	24 - 48
R44302	1F24	..	40 - 11	R51937	1D21	20	24 - 43	R60279	1E1	3	24 - 48
R44302	1G8	1	40 - 19	R51937	1D21	..	24 - 43	R60458	3F6	9	90 - 39
R44302	1G9	1	40 - 20	R52015	2C5	3	50 - 24	R60730	2E14	15	60 - 3
R44302	1H18	10	40 - 55	R53014	1H18	13	40 - 55	R60730	3E12	8	90 - 21
R44302	1J24	5	40 - 109	R53108	1E8	34	24 - 55	R61144	1D21	5	24 - 43
R44302	2H20	4	70 - 33	R53169	4F10	14	121 - 21	R61144	1D21	10	24 - 43
R44302	2I5	13	70 - 41	R53292	1C13	5	24 - 10	R61145	1D21	9	24 - 43
R44302	5C24	6	130 - 45	R53436	1E13	7	24 - 60	R61288	1C7	24	24 - 3
R44342	2F8	38	60 - 21	R53543	2C13	30	50 - 33	R61497	1C25	1	24 - 22
R44342	3G7	38	90 - 65	R53665	3F6	21	90 - 39	R61862	3G4	9	90 - 61
R45182	2D11	3	50 - 58	R53665	3G4	17	90 - 61	R62502	3H6	34	110 - 3
R45187	2D12	3	50 - 59	R53884	1D24	2	24 - 46	R62502	3J6	14	110 - 53
R45187	2J19	3	70 - 80	R53899	1D23	27	24 - 45	R62930	1C7	15	24 - 3
R45638	2D12	4	50 - 59	R53899	1D24	3	24 - 46	R62930	1D3	1	24 - 25
R45638	2J19	4	70 - 80	R53899	1E8	25	24 - 55	R62938	1D3	2	24 - 25
R46414	3C18	4	80 - 37	R53901	1D24	5	24 - 46	R63016	1D24	6	24 - 46
R46414	3G11	7	90 - 69	R54025	1D25	2	24 - 47	R63308	2C10	30	50 - 29
R46479	1D13	15	24 - 35	R54123	1B18	4	20 - 15	R63308	2E6	2	50 - 77
R46701	2D12	5	50 - 59	R54380	2C4	8	50 - 23	R63308	2E8	2	50 - 79
R46701	2J19	5	70 - 80	R54445	1G15	6	40 - 27	R63604	1D23	32	24 - 45
R47151	1D9	10	24 - 31	R54445	1G15	18	40 - 27	R63666	1G11	13	40 - 23
R47151	1D9	13	24 - 31	R54447	1G15	3	40 - 27	R63666	1G13	30	40 - 25
R47153	1D5	9	24 - 27	R54510	1B18	2	20 - 15	R63667	1G11	14	40 - 23
R47153	1D7	7	24 - 29	R54511	1B18	3	20 - 15	R63667	1G13	29	40 - 25
R47153	1E8	27	24 - 55	R54565	1C23	1	24 - 20	R63668	1G11	15	40 - 23
R47160	1D19	3	24 - 41	R54856	1E8	24	24 - 55	R63668	1G13	28	40 - 25
R47160	1F4	6	30 - 11	R55326	1J25	4	40 - 110	R63669	1G11	16	40 - 23
R47449	2J18	26	70 - 79	R55326	4D8	13	120 - 53	R63669	1G13	27	40 - 25

NUMERICAL INDEX - CONTINUED

PART NO.	GRID	KEY	PAGE	PART NO.	GRID	KEY	PAGE	PART NO.	GRID	KEY	PAGE
R63670	1G11	34	40-23	R70211	1J4	40	40-89	R77175	4I24	19	125-23
R63670	1G13	22	40-25	R70211	1J4	41	40-89	R77178	2I3	15	70-39
R63845	1D18	5	24-40	R70212	1J4	40	40-89	R77178	2I5	9	70-41
R63980	2J18	5	70-79	R70212	1J4	41	40-89	R77456	1J2	27	40-87
R64056	1G15	13	40-27	R70213	1J4	40	40-89	R77457	1G19	10	40-31
R64058	1G15	16	40-27	R70214	1J4	40	40-89	R77457	1G21	10	40-33
R64059	1G15	12	40-27	R70214	1J4	41	40-89	R77457	1H8	15	40-45
R64060	1G15	10	40-27	R70215	1J4	40	40-89	R77457	1J2	29	40-87
R64061	1G15	4	40-27	R70216	1J4	40	40-89	R77457	1J12	3	40-97
R64698	2D12	10	50-59	R70216	1J4	41	40-89	R77458	1H2	8	40-39
R64698	2J19	10	70-80	R70217	1J4	40	40-89	R77458	1H4	8	40-41
R65553	1C23	3	24-20	R70218	1J4	40	40-89	R77458	1J2	28	40-87
R65569	3F2	2	90-35	R70218	1J4	41	40-89	R77459	1J2	28	40-87
R65569	3H10	2	110-7	R70219	1J4	40	40-89	R77459	1J20	14	40-105
R65593	1J6	2	40-91	R70220	1J4	50	40-89	R77460	1J2	28	40-87
R65594	1J6	9	40-91	R70221	1J4	39	40-89	R77461	1J2	28	40-87
R65595	1J2	11	40-87	R70222	1J4	38	40-89	R77462	1J2	25	40-87
R65595	1J6	21	40-91	R70826	1C23	6	24-20	R77463	1G19	9	40-31
R65596	1J6	22	40-91	R71144	2B19	6	50-13	R77463	1G19	10	40-31
R65597	1J6	23	40-91	R71208	1C23	7	24-20	R77463	1G23	2	40-35
R65598	1J6	24	40-91	R71212	1D21	9	24-43	R77463	1G23	3	40-35
R65599	1J6	25	40-91	R71398	1D21	9	24-43	R77463	1H8	13	40-45
R65600	1J6	26	40-91	R71398	1D21	10	24-43	R77463	1J2	30	40-87
R65601	1J6	27	40-91	R71596	1D11	6	24-33	R77463	1J12	3	40-97
R65602	1J4	49	40-89	R71711	2D2	7	50-49	R77464	1F16	16	40-3
R65602	1J6	28	40-91	R71732	1D3	11	24-25	R77464	1F16	18	40-3
R65603	1J6	29	40-91	R71732	1D3	13	24-25	R77464	1J2	26	40-87
R65604	1J6	30	40-91	R71732	1D4	7	24-26	R77464	2I21	17	70-57
R65605	1J6	31	40-91	R71756	4G2	10	121-37	R77464	2I23	19	70-59
R65606	1J6	32	40-91	R71758	4G2	6	121-37	R77465	1G2	5	40-13
R65607	1J4	46	40-89	R72032	4F10	9	121-21	R77465	1G2	6	40-13
R65607	1J6	33	40-91	R72328	1D13	11	24-35	R77465	1G19	6	40-31
R65608	1J6	3	40-91	R72328	1E8	9	24-55	R77465	1G19	9	40-31
R65609	1J6	6	40-91	R72653	1G8	1	40-19	R77465	1G19	11	40-31
R65610	1J6	7	40-91	R72653	1G9	1	40-20	R77465	1G23	2	40-35
R66197	3H8	1	110-5	R72659	4J3	8	125-27	R77465	1G23	3	40-35
R66319	1J6	1	40-91	R73102	2D2	2	50-49	R77465	1H2	15	40-39
R66320	1J2	24	40-87	R73102	2D8	2	50-55	R77465	1H8	16	40-45
R66320	1J6	5	40-91	R73290	3H18	24	110-15	R77465	1J2	31	40-87
R66321	1J2	24	40-87	R73290	3H20	27	110-17	R77465	1J12	3	40-97
R66321	1J6	4	40-91	R73384	3F2	13	90-35	R77466	1J2	33	40-87
R66452	1C12	1	24-9	R73384	3H10	13	110-7	R77467	1J2	34	40-87
R66452	1C13	4	24-10	R73498	1F4	10	30-11	R77468	1F16	10	40-3
R66626	3I25	7	110-47	R73858	1D23	18	24-45	R77468	1J2	32	40-87
R66718	3B14	19	80-9	R74008	1C13	3	24-10	R77469	1J4	35	40-89
R67092	1E4	1	24-51	R74030	1D21	10	24-43	R77470	1J4	45	40-89
R67230	1H16	9	40-53	R74689	2D3	4	50-50	R77471	1J4	45	40-89
R67264	1D23	20	24-45	R74690	2D3	2	50-50	R77472	1J4	45	40-89
R67264	1D23	34	24-45	R74693	2D3	6	50-50	R77473	1J4	45	40-89
R67363	1K2	5	40-112	R74693	2D3	7	50-50	R77474	1J4	44	40-89
R67364	1D23	9	24-45	R74694	2D3	6	50-50	R77475	1J2	13	40-87
R67364	1D24	7	24-46	R74694	2D3	7	50-50	R77476	1G8	14	40-19
R67377	1I2	10	40-63	R74696	2D3	3	50-50	R77476	1J2	3	40-87
R67879	1D24	8	24-46	R74697	2D3	5	50-50	R77477	1F16	14	40-3
R67879	1D25	5	24-47	R74804	1D21	10	24-43	R77477	1F16	19	40-3
R68102	2D2	4	50-49	R75036	1G25	1	40-37	R77477	1J2	4	40-87
R68824	4F6	28	121-17	R76358	1D23	12	24-45	R77478	1J2	15	40-87
R69536	2D4	8	50-51	R76491	1C22	15	24-19	R77479	1J2	5	40-87
R69536	2D8	6	50-55	R76937	4F6	26	121-17	R77479	1J10	7	40-95
R69536	2D8	16	50-55	R77175	2C15	23	50-35	R77480	1J2	6	40-87
R69936	1D18	3	24-40	R77175	2C16	23	50-36	R77481	1F16	7	40-3
R70112	2C2	15	50-21	R77175	2C20	23	50-41	R77481	1J2	7	40-87
R70113	2C2	17	50-21	R77175	2G19	19	70-7	R77482	1J2	8	40-87
R70114	2C2	18	50-21	R77175	2I21	1	70-57	R77483	1G8	13	40-19
R70115	2C2	19	50-21	R77175	2I23	1	70-59	R77483	1J2	16	40-87
R70210	1J4	40	40-89	R77175	2I25	22	70-61	R77484	1J2	19	40-87
R70210	1J4	41	40-89	R77175	2J18	12	70-79	R77485	1J2	21	40-87

NUMERICAL INDEX - CONTINUED

PART NO.	GRID	KEY	PAGE	PART NO.	GRID	KEY	PAGE	PART NO.	GRID	KEY	PAGE
R77486	1J2	22	40-87	R78050	1I24	19	40-85	R78058	1I2	25	40-63
R77487	1J2	23	40-87	R78050	1J12	9	40-97	R78058	1I24	23	40-85
R77488	1J4	51	40-89	R78051	1E6	24	24-53	R78058	1J12	8	40-97
R77489	1J4	51	40-89	R78051	1H24	6	40-61	R78058	1J12	10	40-97
R77489	1J10	3	40-95	R78051	1I24	24	40-85	R78058	3F6	25	90-39
R77489	1J12	5	40-97	R78051	1J12	11	40-97	R78059	1E6	1	24-53
R77490	1J4	51	40-89	R78051	1J16	1	40-101	R78059	1G21	9	40-33
R77491	1J4	54	40-89	R78052	1E6	5	24-53	R78059	1G21	26	40-33
R77491	1J10	2	40-95	R78052	1I24	5	40-85	R78059	1G25	11	40-37
R77492	1J4	54	40-89	R78052	1J12	6	40-97	R78059	1H2	19	40-39
R77493	1J4	51	40-89	R78053	1E6	13	24-53	R78059	1H4	13	40-41
R77493	1J10	1	40-95	R78053	1F16	9	40-3	R78059	1H4	19	40-41
R77494	1J4	55	40-89	R78053	1G6	10	40-17	R78059	1H8	14	40-45
R77494	1J12	4	40-97	R78053	1G8	15	40-19	R78059	1H8	18	40-45
R77495	1J4	52	40-89	R78053	1G11	33	40-23	R78059	1H10	16	40-47
R77496	1J4	52	40-89	R78053	1G21	25	40-33	R78059	1H10	18	40-47
R77497	1J4	53	40-89	R78053	1G23	17	40-35	R78059	1I24	1	40-85
R77498	1J2	24	40-87	R78053	1G25	17	40-37	R78059	1J12	8	40-97
R77499	1J2	24	40-87	R78053	1H2	13	40-39	R78059	1J12	9	40-97
R77500	1J2	24	40-87	R78053	1H4	13	40-41	R78059	1J12	10	40-97
R77501	1J2	24	40-87	R78053	1H6	12	40-43	R78059	1J12	11	40-97
R77502	1J4	56	40-89	R78053	1H8	14	40-45	R78059	2D12	14	50-59
R77503	1J4	56	40-89	R78053	1H8	17	40-45	R78059	2H22	16	70-35
R77551	1D21	18	24-43	R78053	1H8	18	40-45	R78059	2I1	8	70-37
R77551	1D21	19	24-43	R78053	1H10	18	40-47	R78059	2J18	9	70-79
R77551	1E8	5	24-55	R78053	1H24	24	40-61	R78059	2J19	14	70-80
R77673	1D13	22	24-35	R78053	1I2	25	40-63	R78059	5D23	16	160-3
R77764	4F6	25	121-17	R78053	1I24	13	40-85	R78060	1E6	2	24-53
R78025	2G4	12	60-43	R78053	1J10	4	40-95	R78060	1E6	9	24-53
R78025	2G6	12	60-45	R78053	1J12	2	40-97	R78060	1F16	12	40-3
R78025	2G7	8	60-46	R78053	1J16	13	40-101	R78060	1G2	2	40-13
R78026	2G4	6	60-43	R78053	2D12	14	50-59	R78060	1G6	11	40-17
R78026	2G6	6	60-45	R78053	2H22	16	70-35	R78060	1G23	11	40-35
R78026	2G7	6	60-46	R78053	2J19	14	70-80	R78060	1H2	16	40-39
R78027	2F19	2	60-32	R78053	3F6	25	90-39	R78060	1H4	16	40-41
R78027	2G4	2	60-43	R78053	5D23	16	160-3	R78060	1H8	7	40-45
R78027	2G6	2	60-45	R78054	1E6	17	24-53	R78060	1H8	20	40-45
R78027	2G7	2	60-46	R78054	1I24	17	40-85	R78060	1H22	1	40-59
R78047	1E6	3	24-53	R78054	1J12	12	40-97	R78060	1H24	6	40-61
R78047	1F16	11	40-3	R78055	1E6	22	24-53	R78060	1H24	21	40-61
R78047	1H24	22	40-61	R78055	1H2	19	40-39	R78060	1H24	24	40-61
R78047	1I24	3	40-85	R78055	1H4	19	40-41	R78060	1I2	24	40-63
R78048	1E6	10	24-53	R78055	1I24	22	40-85	R78060	1I8	4	40-69
R78048	1F16	12	40-3	R78055	1J12	8	40-97	R78060	1I24	2	40-85
R78048	1G2	2	40-13	R78056	1E6	26	24-53	R78060	1I24	9	40-85
R78048	1G6	11	40-17	R78056	1G19	26	40-31	R78060	1J12	1	40-97
R78048	1G23	11	40-35	R78056	1G21	26	40-33	R78060	1J12	2	40-97
R78048	1G25	11	40-37	R78056	1I24	26	40-85	R78060	1J12	7	40-97
R78048	1H2	14	40-39	R78056	1J12	10	40-97	R78060	1J12	9	40-97
R78048	1H2	16	40-39	R78057	1E6	2	24-53	R78060	1J12	12	40-97
R78048	1H4	16	40-41	R78057	1F16	11	40-3	R78060	1J12	13	40-97
R78048	1H6	13	40-43	R78057	1G21	9	40-33	R78060	1J16	1	40-101
R78048	1H8	7	40-45	R78057	1G25	11	40-37	R78060	2J18	15	70-79
R78048	1H8	20	40-45	R78057	1H4	14	40-41	R78061	1E6	6	24-53
R78048	1H10	16	40-47	R78057	1H24	21	40-61	R78061	1E6	23	24-53
R78048	1H24	23	40-61	R78057	1H24	23	40-61	R78061	1F16	9	40-3
R78048	1I2	23	40-63	R78057	1I2	23	40-63	R78061	1G8	8	40-19
R78048	1I2	24	40-63	R78057	1I24	2	40-85	R78061	1G8	15	40-19
R78048	1I8	4	40-69	R78057	1J12	11	40-97	R78061	1H2	19	40-39
R78048	1I24	10	40-85	R78058	1E6	23	24-53	R78061	1H4	19	40-41
R78048	1J10	5	40-95	R78058	1G11	33	40-23	R78061	1H8	17	40-45
R78048	1J12	1	40-97	R78058	1H2	19	40-39	R78061	1H24	24	40-61
R78048	2G15	13	70-3	R78058	1H4	13	40-41	R78061	1I24	6	40-85
R78049	1E6	15	24-53	R78058	1H4	19	40-41	R78061	1I24	23	40-85
R78049	1I24	15	40-85	R78058	1H8	14	40-45	R78061	1J10	4	40-95
R78049	1J12	13	40-97	R78058	1H8	18	40-45	R78061	1J12	6	40-97
R78050	1E6	19	24-53	R78058	1H10	18	40-47	R78061	2D12	14	50-59

NUMERICAL INDEX - CONTINUED

PART NO.	GRID	KEY	PAGE	PART NO.	GRID	KEY	PAGE	PART NO.	GRID	KEY	PAGE
R78061	2H22	16	70 - 35	R83725	1E1	6	24 - 48	R92160	2C25	4	50 - 47
R78061	2J19	14	70 - 80	R83726	1E1	6	24 - 48	R92977	2D10	1	50 - 57
R78061	5D23	16	160 - 3	R83727	1E1	6	24 - 48	R92978	2D10	6	50 - 57
R78062	1E6	1	24 - 53	R83728	1E1	6	24 - 48	R92979	2D6	4	50 - 53
R78062	1I24	1	40 - 85	R83729	1E1	6	24 - 48	R93008	1D24	11	24 - 46
R78063	1E6	1	24 - 53	R83730	1E1	6	24 - 48	R93008	1E4	3	24 - 51
R78063	1E6	7	24 - 53	R83731	1E1	6	24 - 48	R93030	2C25	5	50 - 47
R78063	1G2	2	40 - 13	R83732	1E1	6	24 - 48	R93105	2D2	6	50 - 49
R78063	1G6	11	40 - 17	R83733	1E1	6	24 - 48	R93142	2C25	17	50 - 47
R78063	1G11	33	40 - 23	R83734	1E1	6	24 - 48	R93142	2D6	2	50 - 53
R78063	1G21	25	40 - 33	R83735	1E1	6	24 - 48	R93180	2C25	3	50 - 47
R78063	1G23	17	40 - 35	R83736	1E1	6	24 - 48	R93308	1C22	16	24 - 19
R78063	1G25	11	40 - 37	R83737	1E1	6	24 - 48	R93311	1C22	17	24 - 19
R78063	1H2	13	40 - 39	R83738	1E1	6	24 - 48	R93312	1C22	16	24 - 19
R78063	1H2	19	40 - 39	R83739	1E1	6	24 - 48	R93313	1C22	17	24 - 19
R78063	1H4	19	40 - 41	R84261	4G2	11	121 - 37	R93314	1C22	16	24 - 19
R78063	1H6	12	40 - 43	R84472	1D21	16	24 - 43	R93315	1C22	17	24 - 19
R78063	1H8	14	40 - 45	R84472	1E1	12	24 - 48	R93948	1C13	11	24 - 10
R78063	1H8	17	40 - 45	R84472	1E8	10	24 - 55	R94350	1I5	2	40 - 66
R78063	1H8	18	40 - 45	R84618	1C22	16	24 - 19	R94351	1I5	15	40 - 66
R78063	1H12	..	40 - 49	R84619	1C22	17	24 - 19	R96703	1E12	5	24 - 59
R78063	1H22	1	40 - 59	R84943	2F23	1	60 - 36	R97061	1D21	29	24 - 43
R78063	1H24	24	40 - 61	R85027	1C23	14	24 - 20	R97061	1D23	4	24 - 45
R78063	1I2	25	40 - 63	R85168	4F12	10	121 - 23	R98064	1D5	6	24 - 27
R78063	1I24	1	40 - 85	R85169	4F12	11	121 - 23	R98064	1D7	4	24 - 29
R78063	1I24	7	40 - 85	R85373	2D8	15	50 - 55	R98250	1E16	1	24 - 63
R78063	1J10	4	40 - 95	R85374	2D8	8	50 - 55	R98500	1D23	23	24 - 45
R78063	1J12	1	40 - 97	R85376	2D8	9	50 - 55	R98500	1D23	29	24 - 45
R78063	1J12	2	40 - 97	R85378	2D8	10	50 - 55	R98527	1C19	8	24 - 16
R78063	1J12	6	40 - 97	R85588	2D4	1	50 - 51	R98527	1D11	7	24 - 33
R78063	1J12	7	40 - 97	R86061	1D13	3	24 - 35	R99047	1D23	28	24 - 45
R78063	1J12	12	40 - 97	R86063	1D7	8	24 - 29	R99244	2C5	16	50 - 24
R78063	1J12	13	40 - 97	R86457	4B25	8	120 - 19	R99377	2D3	1	50 - 50
R78063	1J16	13	40 - 101	R86457	4C4	8	120 - 23	R99590	1E13	4	24 - 60
R78063	2J18	15	70 - 79	R86571	1C25	2	24 - 22	SE500182	1D21	17	24 - 43
R78063	3F6	25	90 - 39	R86743	1E8	17	24 - 55	SE500182	1E1	13	24 - 48
R78064	1E6	27	24 - 53	R87082	1D21	19	24 - 43	TY15130	3H8	..	110 - 5
R78064	1G21	25	40 - 33	R87345	4D8	12	120 - 53	TY15130	4F2	..	121 - 13
R78064	1I24	27	40 - 85	R87561	1C7	23	24 - 3	TY15130	4F4	..	121 - 15
R78065	1G23	1	40 - 35	R87561	1C20	1	24 - 17	TY15130	4F14	..	121 - 25
R78067	1G21	6	40 - 33	R88397	1D13	5	24 - 35	TY15130	4F16	..	121 - 27
R78067	1G21	8	40 - 33	R88397	1E8	12	24 - 55	TY15130	4G2	..	121 - 37
R78067	1G21	11	40 - 33	R88829	2C25	11	50 - 47	TY15130	5B25	..	130 - 21
R78067	1G25	1	40 - 37	R88959	2D6	3	50 - 53	TY15949	3G18	..	90 - 76
R78067	1H4	14	40 - 41	R88960	2D6	3	50 - 53	TY15950	3G18	..	90 - 76
R79060	1D23	18	24 - 45	R88972	2C25	1	50 - 47	TY15951	3G18	..	90 - 76
R79117	2J9	9	70 - 70	R88972	2C25	6	50 - 47	TY16086	1J2	24	40 - 87
R79604	1D21	22	24 - 43	R88993	1E8	1	24 - 55	TY16302	1G11	28	40 - 23
R79605	1D21	23	24 - 43	R89012	2D6	4	50 - 53	TY16304	1G13	26	40 - 25
R79606	1D21	24	24 - 43	R89014	1D23	24	24 - 45	TY21765	1I13	8	40 - 74
R79846	1E10	5	24 - 57	R89015	2D8	14	50 - 55	TY22007	1C5	2	24 - 1
R79850	1C18	1	24 - 15	R89142	3F6	10	90 - 39	TY22008	1C5	2	24 - 1
R79915	1H16	7	40 - 53	R89143	3F6	4	90 - 39	TY22010	1C5	2	24 - 1
R80R	4G2	37	121 - 37	R89439	1D13	17	24 - 35	TY22011	1C5	2	24 - 1
R82007	1C7	22	24 - 3	R89610	2C25	12	50 - 47	TY22025	3G18	..	90 - 76
R82571	2J9	7	70 - 70	R89879	1E8	16	24 - 55	TY22041	1C5	..	24 - 1
R82719	1D13	21	24 - 35	R89927	1E4	6	24 - 51	TY22042	1C5	..	24 - 1
R83020	1D18	7	24 - 40	R90080	2C5	3	50 - 24	TY22064	1C5	1	24 - 1
R83021	1D18	6	24 - 40	R90521	3I17	5	110 - 39	TY22065	1C5	1	24 - 1
R83489	1D24	12	24 - 46	R90565	2J9	4	70 - 70	TY22066	1C5	1	24 - 1
R83489	1E4	4	24 - 51	R91519	1D18	1	24 - 40	TY22067	1C5	1	24 - 1
R83489	1E8	25	24 - 55	R91822	1C22	4	24 - 19	TY22068	1C5	1	24 - 1
R83720	1E1	6	24 - 48	R91824	1D23	6	24 - 45	TY22069	1C5	1	24 - 1
R83721	1E1	6	24 - 48	R92097	1D17	3	24 - 39	TY22070	1C5	1	24 - 1
R83722	1E1	6	24 - 48	R92097	1E8	15	24 - 55	TY22073	1C5	1	24 - 1
R83723	1E1	6	24 - 48	R92104	2D4	3	50 - 51	TY22074	1C5	1	24 - 1
R83724	1E1	6	24 - 48	R92148	2D6	1	50 - 53	TY22101	3G18	..	90 - 76

NUMERICAL INDEX - CONTINUED

PART NO.	GRID	KEY	PAGE	PART NO.	GRID	KEY	PAGE	PART NO.	GRID	KEY	PAGE
TY22326	4C6	14	120 - 25	T12960	2H8	7	70 - 21	T32255	1G13	5	40 - 25
TY22326	4C12	6	120 - 31	T13119	1F4	9	30 - 11	T32255	1G13	19	40 - 25
TY22326	4H6	4	121 - 65	T14065	2C13	14	50 - 33	T34067	1G8	12	40 - 19
TY22326	4J20	3	125 - 45	T14323	4F6	24	121 - 17	T34067	1G8	15	40 - 19
TY22326	5D10	24	130 - 57	T14323	4F6	35	121 - 17	T34067	1J2	18	40 - 87
TY22328	3G24	5	90 - 83	T146102	1E12	4	24 - 59	T35390	1C7	14	24 - 3
TY22329	4E23	14	121 - 9	T146104	1E12	8	24 - 59	T35440	1G13	24	40 - 25
TY22330	3G24	4	90 - 83	T146515	1E12	8	24 - 59	T37851	5B12	11	130 - 7
TY22418	1E20	22	30 - 3	T146516	1E12	8	24 - 59	T40867	3B24	24	80 - 19
TY22418	1E24	2	30 - 7	T146517	1E12	8	24 - 59	T41201	4F16	4	121 - 27
TY22424	1B20	4	20 - 17	T15005	1F18	14	40 - 5	T43512	2E2	..	50 - 73
TY22462	1E24	1	30 - 7	T155858	1D19	2	24 - 41	T43512	3H6	..	110 - 3
TY22462	1F10	2	30 - 17	T15712	1F4	9	30 - 11	T43512	4F14	..	121 - 25
TY22465	3G24	3	90 - 83	T158584	1I6	1	40 - 67	T43512	4F16	..	121 - 27
TY22467	1B20	2	20 - 17	T16193	3F2	8	90 - 35	T43514	2B21	..	50 - 15
TY22467	1C24	3	24 - 21	T16193	3H10	8	110 - 7	T43514	2B23	13	50 - 17
TY22467	4C21	23	120 - 41	T17568	1E20	22	30 - 3	T43514	3E24	..	90 - 33
TY22470	1F6	6	30 - 13	T17568	1E20	29	30 - 3	T43514	3I2	20	110 - 23
TY22474	3G15	18	90 - 73	T17568	1E24	18	30 - 7	T43515	3H6	..	110 - 3
TY22494	4F12	20	121 - 23	T18012	1D23	22	24 - 45	T45132	2J18	27	70 - 79
TY22494	4F12	21	121 - 23	T20077	1C22	2	24 - 19	T47836	4G2	33	121 - 37
TY22494	4F20	46	121 - 31	T20129	1C22	1	24 - 19	T49676	4F6	14	121 - 17
TY22494	4F20	47	121 - 31	T20217	4C12	3	120 - 31	T50409	4F6	13	121 - 17
TY22566	1F10	1	30 - 17	T20217	4E25	18	121 - 11	T50415	4F6	15	121 - 17
TY24446	1C24	..	24 - 21	T20217	4G8	20	121 - 43	T519T	3F6	3	90 - 39
TY24485	1I5	1	40 - 66	T20217	5C10	4	130 - 31	T531T	1G11	20	40 - 23
TY24485	1I5	13	40 - 66	T20294	1C24	4	24 - 21	T531T	1G13	20	40 - 25
TY24485	1I6	..	40 - 67	T20328	1C24	5	24 - 21	T53268	1D13	2	24 - 35
TY6280	1C5	1	24 - 1	T21242	1D3	3	24 - 25	T55201	3F12	12	90 - 45
TY6304	2B17	..	50 - 11	T22714	4G8	23	121 - 43	T55501	2F8	5	60 - 21
TY6304	2B23	..	50 - 17	T22828	2J9	2	70 - 70	T55501	3G7	5	90 - 65
TY6304	4G2	..	121 - 37	T22875	2F8	31	60 - 21	T55585	2F8	6	60 - 21
TY6333	3H6	..	110 - 3	T22875	3G7	31	90 - 65	T55585	3G7	6	90 - 65
TY6333	4C21	..	120 - 41	T23027	3E14	2	90 - 23	T55761	3H6	26	110 - 3
TY6333	4C23	..	120 - 43	T23033	3E14	6	90 - 23	T55761	3J6	10	110 - 53
TY6333	4G2	..	121 - 37	T23529	2F8	29	60 - 21	T60314	2J18	32	70 - 79
TY6333	5B25	..	130 - 21	T23891	1C18	2	24 - 15	T62323	2F18	12	60 - 31
TY6364	1C5	1	24 - 1	T24167	1F16	13	40 - 3	T62508	4F6	16	121 - 17
TY6389	1C5	2	24 - 1	T24210	1D24	1	24 - 46	T62509	4F6	18	121 - 17
TY6390	1C5	2	24 - 1	T25473	2E2	7	50 - 73	T62843	4J7	13	125 - 31
TY6391	1C5	2	24 - 1	T26257	2I15	15	70 - 51	T63817	2G15	8	70 - 3
TY6392	1C5	2	24 - 1	T27523	2G22	3	70 - 10	T65643	2G15	7	70 - 3
TY6393	1C5	2	24 - 1	T27523	4J5	7	125 - 29	T69027	4F14	8	121 - 25
TY6394	1C5	2	24 - 1	T27860	1C17	2	24 - 14	T70309	4F6	12	121 - 17
TY6750	1I5	1	40 - 66	T27888	2B19	3	50 - 13	T70694	1B20	9	20 - 17
TY6750	1I5	13	40 - 66	T27986	2H6	9	70 - 19	T72393	2D14	12	50 - 61
TY6750	1I6	..	40 - 67	T28583	1F16	8	40 - 3	T72393	2D16	16	50 - 63
TY6764	3G17	10	90 - 75	T28583	1G6	6	40 - 17	T72393	2D18	19	50 - 65
TY6764	3G18	..	90 - 76	T28583	1H8	19	40 - 45	T72393	2H10	11	70 - 23
TY9370	2B21	..	50 - 15	T28583	1J2	1	40 - 87	T74410	1H12	22	40 - 49
TY9370	3E2	..	90 - 11	T28583	1J6	34	40 - 91	T75984	2H22	2	70 - 35
TY9370	3E24	..	90 - 33	T28585	1F24	12	40 - 11	T75984	2I15	12	70 - 51
TY9371	2B17	..	50 - 11	T28585	1F24	16	40 - 11	T75984	2I17	12	70 - 53
TY9371	2B21	..	50 - 15	T28585	1J2	12	40 - 87	T75984	2I18	12	70 - 54
TY9371	2B23	..	50 - 17	T28585	1J6	35	40 - 91	T75984	2I19	12	70 - 55
TY9371	3E24	..	90 - 33	T28586	1G8	16	40 - 19	T75984	5D23	2	160 - 3
TY9371	4F10	..	121 - 21	T28586	1J2	14	40 - 87	T76836	2B17	10	50 - 11
TY9373	3E24	..	90 - 33	T28586	3G13	8	90 - 71	T76938	2F6	10	60 - 19
TY9374	4F6	..	121 - 17	T28860	1E24	19	30 - 7	T76938	2H10	25	70 - 23
TY9478	2B21	..	50 - 15	T28862	1D17	16	24 - 39	T76938	2I11	17	70 - 47
TY9478	3E24	..	90 - 33	T28949	1E20	27	30 - 3	T76938	2I11	22	70 - 47
T105740	2D18	6	50 - 65	T29342	2C10	19	50 - 29	T76938	2J22	6	70 - 83
T10745	1I5	4	40 - 66	T29342	2E8	4	50 - 79	T76938	4J3	10	125 - 27
T10745	1I6	2	40 - 67	T32231	1D14	7	24 - 36	T77514	2J18	24	70 - 79
T11180	1D17	1	24 - 39	T32231	1F4	3	30 - 11	T77613	1E22	1	30 - 5
T119912	4G16	22	121 - 51	T32231	1H24	12	40 - 61	T77613	1E24	7	30 - 7
T12033	2B9	3	50 - 3	T32255	1G11	19	40 - 23	T77613	2D24	4	50 - 71

NUMERICAL INDEX - CONTINUED

PART NO.	GRID	KEY	PAGE	PART NO.	GRID	KEY	PAGE	PART NO.	GRID	KEY	PAGE
T77613	2E10	3	50-81	T77932	2F14	1	60-27	U40962	2I17	11	70-53
T77613	2F12	3	60-25	T77932	2G17	3	70-5	U40962	2I18	11	70-54
T77613	2F16	1	60-29	T77932	2H8	12	70-21	U40962	2I19	11	70-55
T77613	2G22	7	70-10	T77932	2I7	3	70-43	U41353	2D10	2	50-57
T77613	2G25	2	70-13	T77932	2I11	3	70-47	U42355	1E20	30	30-3
T77613	2H2	10	70-15	T77932	2J12	2	70-73	U42355	1E24	17	30-7
T77613	2H6	20	70-19	T77932	2J14	10	70-75	U42902	2I15	26	70-51
T77613	2H12	1	70-25	T77932	2J22	4	70-83	U46370	1J2	20	40-87
T77613	2H14	22	70-27	T77932	4J5	1	125-29	U46370	1J6	36	40-91
T77613	2H16	30	70-29	T77932	4J7	12	125-31	U46506	1G13	6	40-25
T77613	2H20	7	70-33	T78313	2D14	6	50-61	U46507	1G13	3	40-25
T77613	2I5	1	70-41	T78313	2D16	4	50-63	U46662	1F16	7	40-3
T77613	2J4	4	70-65	T78313	2D18	8	50-65	U46662	1F16	8	40-3
T77613	2J6	6	70-67	T78313	2D20	4	50-67	U46662	1F16	12	40-3
T77613	2J10	11	70-71	T78313	2D24	31	50-71	U46662	1F16	13	40-3
T77613	2J22	2	70-83	T78313	2J22	9	70-83	U46662	1F16	19	40-3
T77613	2J24	4	70-85	T78612	2J22	7	70-83	U46662	1G6	6	40-17
T77814	2D24	8	50-71	T78646	2H6	5	70-19	U46662	1G21	11	40-33
T77814	2F12	12	60-25	T78707	2E4	11	50-75	U46662	1G23	10	40-35
T77814	2H14	4	70-27	T78716	2G25	18	70-13	U46662	1G25	10	40-37
T77814	2H16	4	70-29	T78716	2H6	16	70-19	U46662	1H8	19	40-45
T77814	2H20	8	70-33	T78716	4J7	4	125-31	U46662	1J2	10	40-87
T77814	2I13	9	70-49	T78784	2J22	8	70-83	U46662	1J6	37	40-91
T77814	2J10	8	70-71	T79098	2C8	4	50-27	U46662	1J10	7	40-95
T77814	2J22	1	70-83	T80393	1J24	1	40-109	U46663	1G6	7	40-17
T77857	2D12	2	50-59	T80394	1J24	1	40-109	U46663	1J6	38	40-91
T77857	2D24	30	50-71	T81029	2D24	6	50-71	U46664	1J4	47	40-89
T77857	2F4	3	60-17	T81029	2F12	19	60-25	U46664	1J6	39	40-91
T77857	2F6	7	60-19	T81029	2F16	2	60-29	W15277	2E23	7	60-12
T77857	2F14	2	60-27	T81029	2G22	4	70-10	W23690	2C13	21	50-33
T77857	2F16	11	60-29	T81029	2J4	3	70-65	W34543	4E19	12	121-5
T77857	2G25	11	70-13	U10063	4G2	20	121-37	W34543	4E21	11	121-7
T77857	2H2	12	70-15	U10746	2B25	21	50-19	W38051	1H10	1	40-47
T77857	2H6	13	70-19	U10776	2B25	4	50-19	W39621	3I11	33	110-33
T77857	2H6	17	70-19	U11647	2D2	1	50-49	W39621	5B25	3	130-21
T77857	2H8	13	70-21	U11647	2D8	1	50-55	X05HP-2	2C11	4	50-30
T77857	2H10	7	70-23	U12547	2C20	32	50-41	X05HP-2	2C11	5	50-30
T77857	2H12	35	70-25	U12547	2C22	2	50-43	Y3082BN	3C2	4	80-21
T77857	2H18	3	70-31	U12547	2D11	12	50-58	Z12964	2C2	16	50-21
T77857	2I3	21	70-39	U12547	2D12	11	50-59	Z24604	5D8	20	130-55
T77857	2I5	16	70-41	U12547	2D14	1	50-61	Z24604	5D8	24	130-55
T77857	2J12	13	70-73	U12547	2D16	6	50-63	Z33404	5D15	6	130-63
T77857	2J19	2	70-80	U12547	2D20	5	50-67	Z36140	5B8	7	130-3
T77857	2J22	3	70-83	U12547	2D22	11	50-69	Z39238	3B12	33	80-7
T77857	4J5	4	125-29	U12547	2D24	3	50-71	Z39386	3B24	25	80-19
T77857	4J7	5	125-31	U12547	2E2	4	50-73	Z55267	1G25	20A	40-37
T77857	5D22	2	160-2	U12547	2F6	1	60-19	Z55270	1G25	20A	40-37
T77858	2D14	3	50-61	U12547	2I9	2	70-45	Z59868	5F22	4	170-45
T77858	2D16	8	50-63	U12547	2J12	15	70-73	Z59868	5F24	3	170-47
T77858	2D18	7	50-65	U12547	2J18	29	70-79	Z59868	5G6	23	170-53
T77858	2D20	7	50-67	U12547	2J19	11	70-80	Z59868	5G8	32	170-55
T77858	2D22	1	50-69	U13639	1B18	6	20-15	Z59868	5G11	22	170-59
T77858	2D24	1	50-71	U13639	1C7	7	24-3	Z59872	5G2	1	170-49
T77858	2E2	3	50-73	U13639	1E8	23	24-55	Z59872	5G11	17	170-59
T77858	2E4	2	50-75	U14273	4F16	6	121-27	Z60326	5F18	5	170-41
T77858	2F6	3	60-19	U15415	2C10	25	50-29	Z60326	5G2	3	170-49
T77858	2H10	3	70-23	U15415	2C20	43	50-41	Z60326	5G6	16	170-53
T77858	2I7	10	70-43	U17409	1D5	7	24-27	Z60326	5G6	22	170-53
T77858	2I9	4	70-45	U17409	1D7	5	24-29	Z60326	5G8	33	170-55
T77858	2I9	11	70-45	U17409	1D7	15	24-29	Z60327	5F20	2	170-43
T77858	2J14	11	70-75	U17409	1E8	26	24-55	Z60327	5G11	4	170-59
T77858	2J22	5	70-83	U17409	2C15	4	50-35	Z60327	5G12	7	170-60
T77858	4J3	1	125-27	U17409	2C16	4	50-36	Z60329	5F18	1	170-41
T77858	4J5	27	125-29	U17409	2C22	12	50-43	Z60329	5F22	2	170-45
T77932	2D11	14	50-58	U40729	2C22	7	50-43	Z60329	5F24	2	170-47
T77932	2E2	6	50-73	U40745	2I19	20	70-55	Z60329	5G6	19	170-53
T77932	2F4	5	60-17	U40962	2I15	11	70-51	Z60329	5G8	31	170-55

1L25

CTS II COMBINE

NUMERICAL INDEX - CONTINUED

<i>PART NO.</i>	<i>GRID</i>	<i>KEY</i>	<i>PAGE</i>	<i>PART NO.</i>	<i>GRID</i>	<i>KEY</i>	<i>PAGE</i>	<i>PART NO.</i>	<i>GRID</i>	<i>KEY</i>	<i>PAGE</i>
Z60329	5G11	21	170-59								
Z60332	5F18	2	170-41								
Z60332	5F20	1	170-43								
Z60332	5G4	2	170-51								
Z60332	5G6	17	170-53								
Z60332	5G8	2	170-55								
Z60332	5G11	19	170-59								
Z63630	1G21	11	40-33								
Z9135H	4G18	4	121-53								
122SE	2B9	6	50-3								
124424	3H22	15	110-19								
124424	3I2	17	110-23								
127878	1G8	1	40-19								
32243	3H6	2	110-3								
32246	2C13	20	50-33								
400R	4F6	29	121-17								